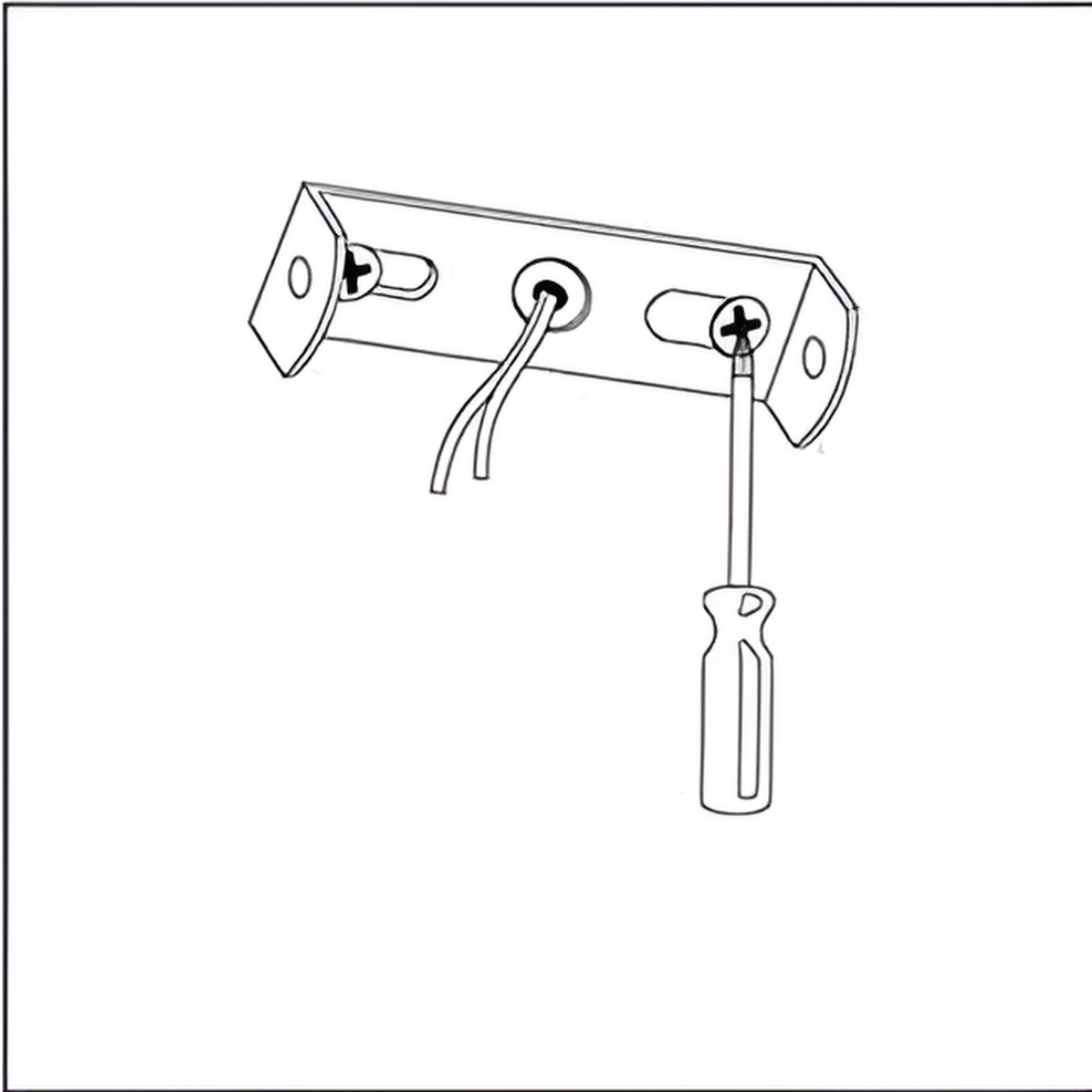
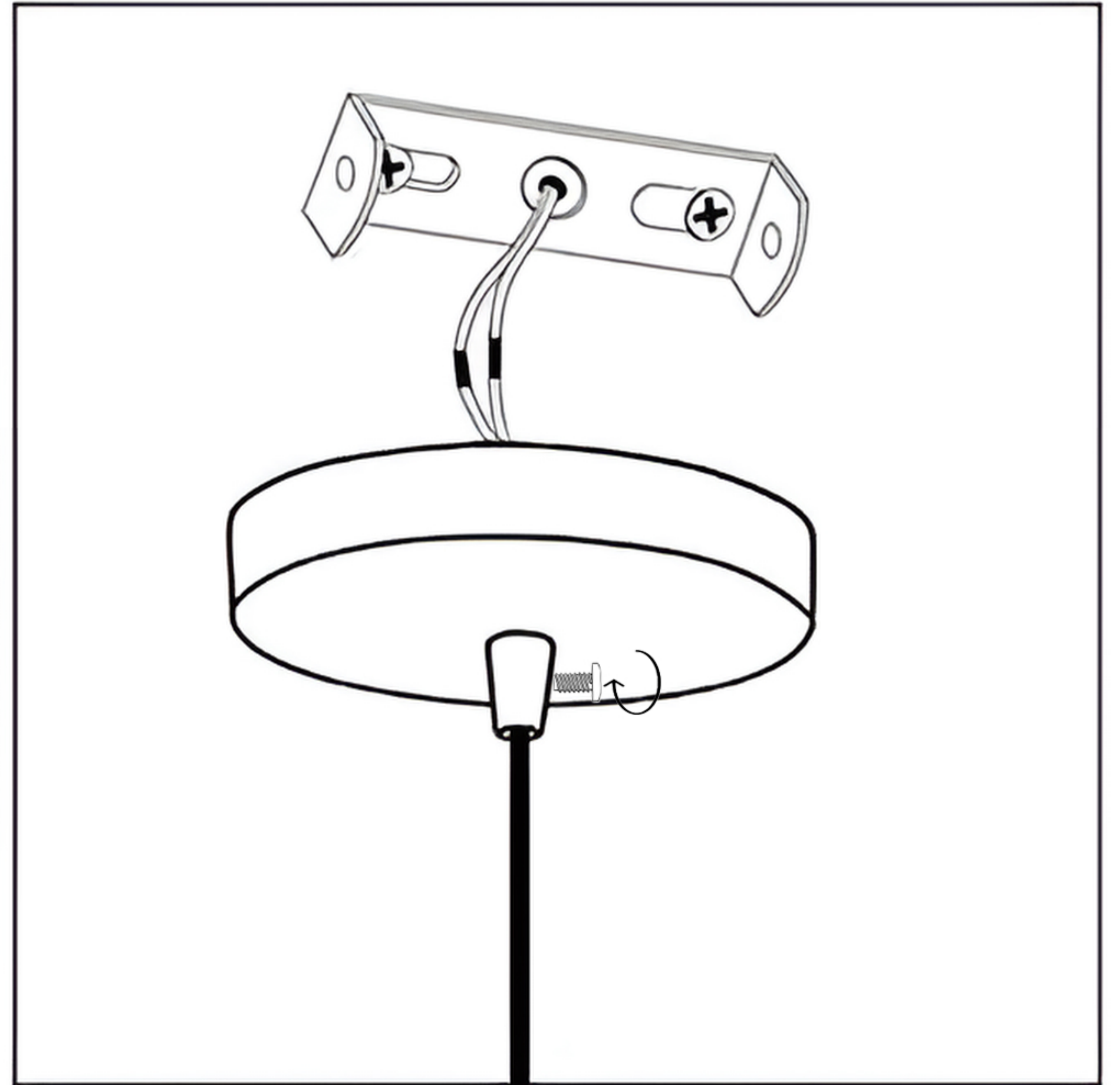


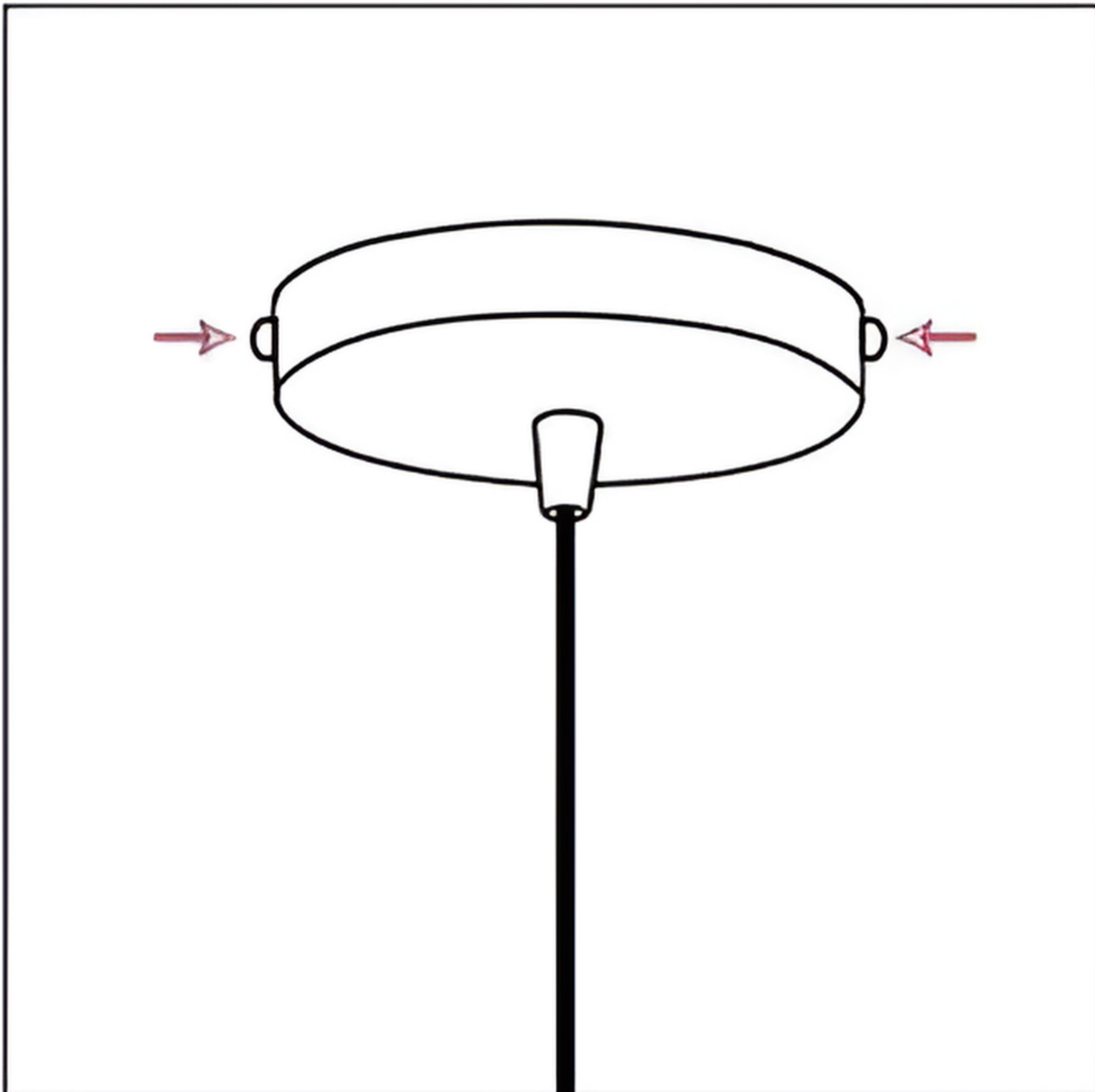
# Installation Diagram



1. Install the ceiling pan support on the ceiling.



2. After adjusting the length of the wire, connect the power cord of the lamp to the room power supply.



3. Screw the cap into the ceiling plate for fixation.



4. Tighten the ring to fix the lampshade and install the bulb.