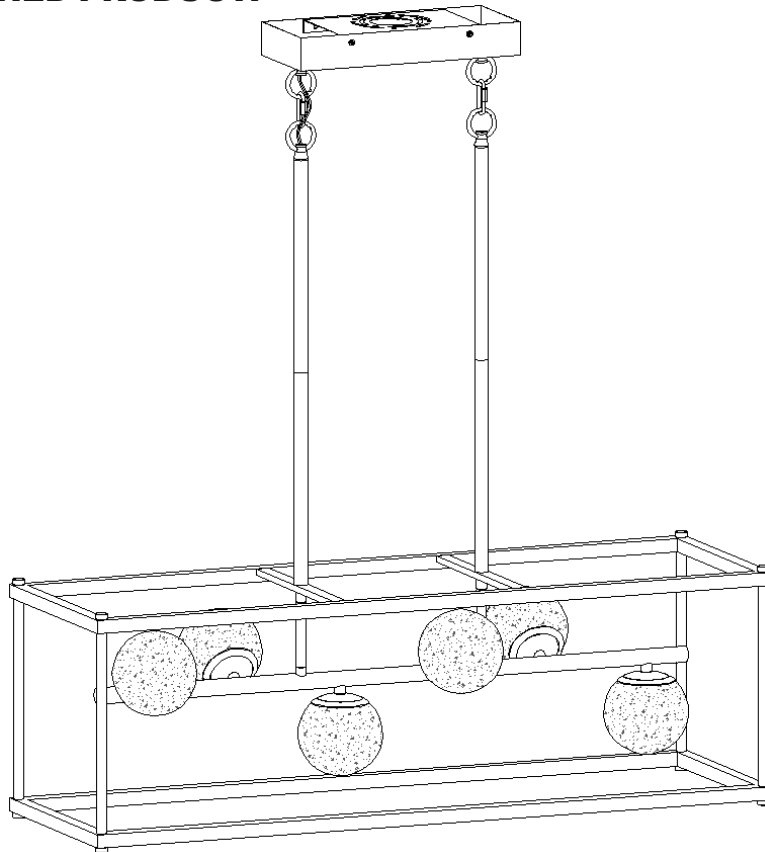


Item Number: A04418

WARNING (To reduce the risk of fire, electric shock, or personal injury):


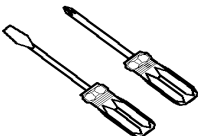
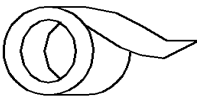
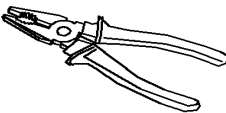
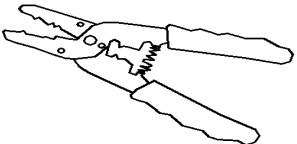
1. We suggest installation by a **licensed electrician**.
2. Please read the instruction carefully and save it as you may need it at a later time.
3. Before you start, **NEVER** attempt any work without shutting off the electricity until the work is done.
 - » Go to the main fuse, or circuit breaker, box in your home.
Place the main power switch in the “**OFF**” position.
 - » Place the wall switch in the “**OFF**” position.
4. Mounting surface should be clean, dry, flat, strong enough and 1/4” larger than the canopy on all sides. Any gaps between the mounting surface and canopy exceeding 3/16” should be corrected as required.
5. Make sure that the ceiling or wall can stand the weight of the lamp before installation.
6. Make sure the voltage you are using is **120V**. The maximum wattage is **35W**.
7. Keep the lamp away from acidic and alkaline substances in case of damaging the surface of the lamp.
8. When replacing bulbs, you should turn off or unplug the lamp and you must wait until it is cool as bulbs get hot quickly.
9. The safety instructions appearing in this manual are not meant to cover all possible conditions that may occur. It must be understood that common sense, caution and care must be used with any electrical products.

IMAGE FOR FINISHED PRODUCT:



TOOLS REQUIRED (NOT INCLUDED):

Before starting assembly and installation please prepare the needed tools as below picture

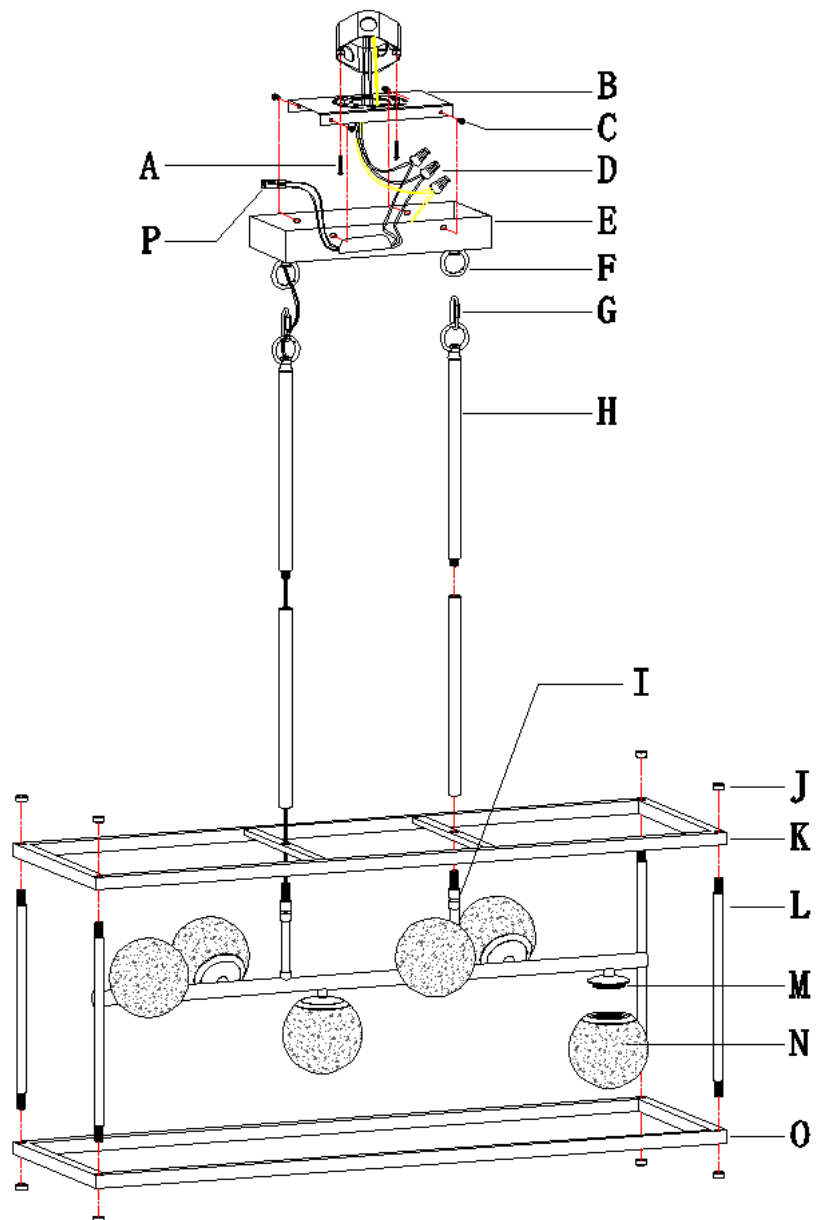
				
Ladder	Phillips head.flat blade screwdriver	Electrical tape	Pliers	Wire cutter/Stripper

PARTS TYPE & QTY INCLUDING:

- (B) Mounting plate (1)
- (C) Screw (4)
- (E) Canopy (1)
- (F) Loop (4)
- (G) Quick link (2)
- (H) Tube
- (I) Stem (2)
- (J) Nut (8)
- (K) Upper frame (1)
- (L) Threaded pipe (4)
- (M) Socket (6)
- (N) Glass shade (6)
- (O) Lower frame (1)

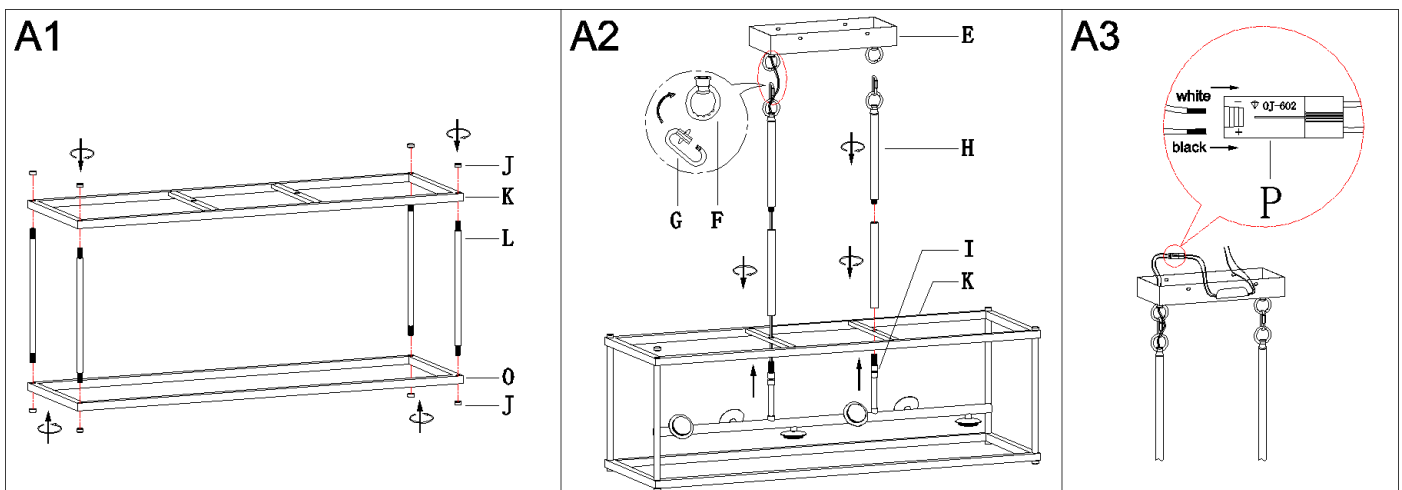
ACCESSORIES & QTY ENCLOSED:

- (A) Mounting screw (2)
- (D) Wire connector (3)



ASSEMBLY & INSTALLATION INSTRUCTIONS:

1. Carefully remove the fixture from the carton and check that all parts and accessories are included as shown in the above illustration.
2. Make pre-installation



Step A1 » Pass threaded pipes (L) through upper frame (K) and lower frame (O), and secure them with nuts (J).

Step A2 » 1) According to your desired hanging height to choose and use tubes (H).
Then pass the fixture wires through upper frame (K) and the chosen tubes (H).
2) Screw all the chosen tubes (H) onto stems (I). Hand tighten till snug.
3) Attach quick links (G) to loops (F) on canopy (E) and the top of tubes (H).
Carefully pass the fixture wires through loops (F), quick link (G) and canopy (E).

Step A3 » Make the first wire connections

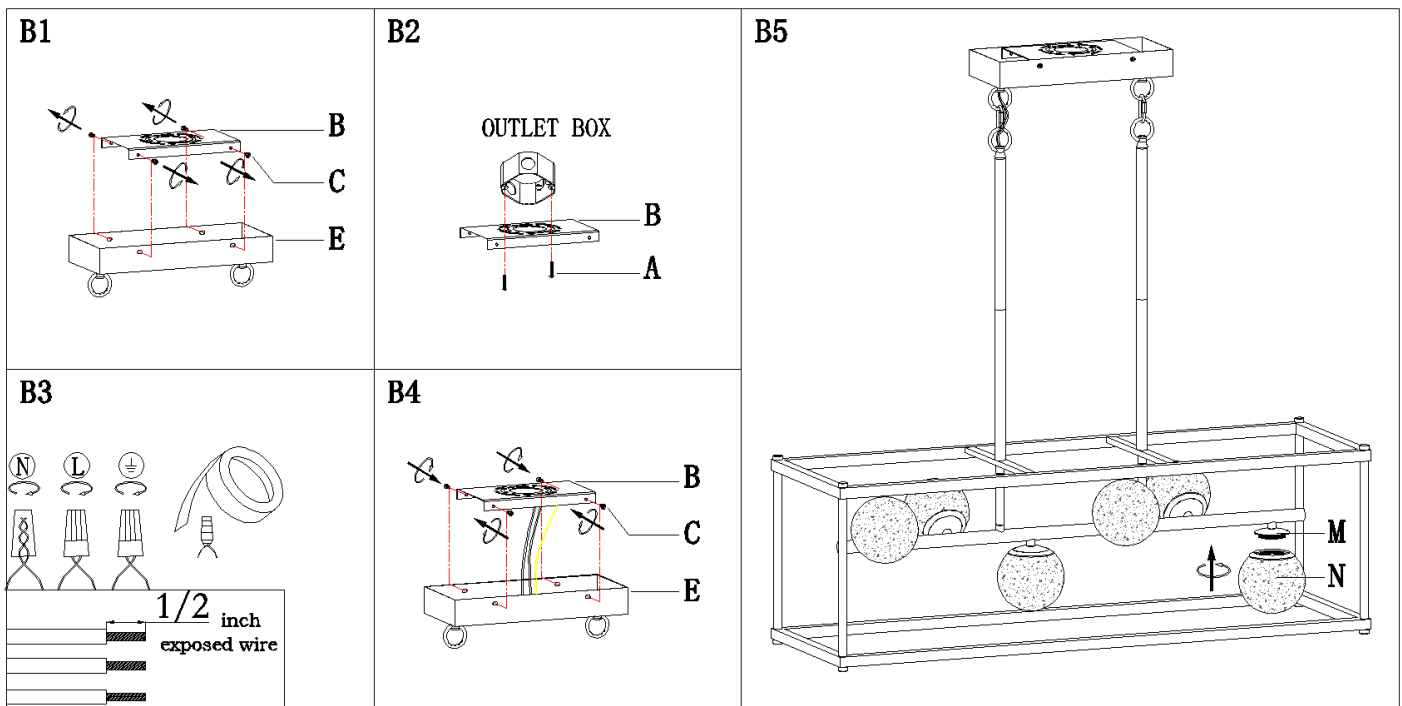
NOTE: Insert the black and white fixture wires into the positive terminal (marked +) and the negative terminal (marked -) of quick wire connector (P) as the illustration shown above.

3. Turn off power

Before you start the installation, **NEVER** attempt any work without shutting off the electricity until the work is done.

- » Go to the main fuse, or circuit breaker, box in your home.
Place the main power switch in the “**OFF**” position.
- » Place the wall switch in the “**OFF**” position.

4. Make installation

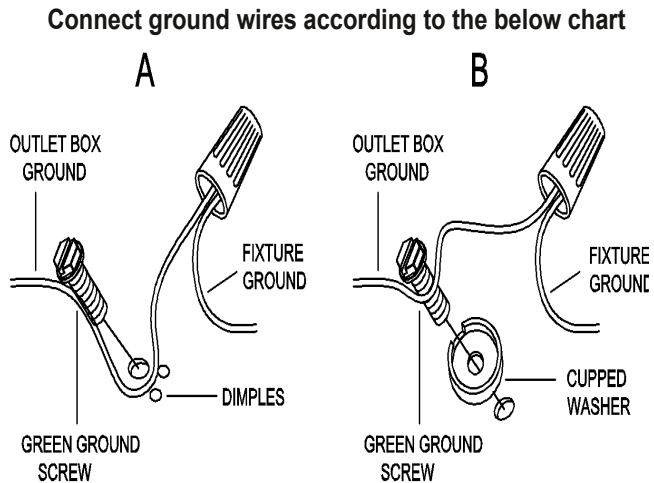


Step B1 » Unscrew screws (C) from mounting plate (B).

Step B2 » Attach mounting plate (B) to the outlet box with mounting screws (A).

Step B3 » Make the second wire connections

Connect wires as below wires connecting shown. **PLEASE NOTE THAT GROUND WIRE IS BARE COPPER WIRE, NEVER CONNECT OTHER WIRES TO GROUND WIRES.**



Connect wires according to the below chart

Connect Black or Red Supply Wire to:	Connect White Supply Wire to:
Black	White
*Parallel cord (round & smooth)	*Parallel cord (square & ridged)
Clear,Brown,Gold or Black without tracer	Clear,Brown,Gold or Black with tracer
Insulated wire (other than green) with copper conductor	Insulated wire (other than green) with silver conductor

*Note: When parallel wires (SPT I & SPT II) are used. The neutral wire is square shaped or ridged and the other wire will be round in shape or smooth (see illus.)

Neutral Wire

Twist wires together with plastic wire connectors until tightly joined, and wrap each connector with approved electrical tape. Be sure that no wire strands are exposed and then carefully tuck all wires into the outlet box.

Step B4 » Raise canopy (E) to the ceiling and secure canopy (E) in place by threading screws (C) into canopy (E) and mounting plate (B).

Step B5 » Screw glass shades (N) onto sockets (M).

4. Check everything is already installed properly, then you could turn on the light. Enjoy!

ORDERING PARTS

Keep this sheet for future reference in case you need to order replacement parts. All parts for this fixture can be ordered from the place of purchase. Be sure to use exact wording from illustration when ordering parts.

CLEANING

To clean, wipe the fixture with a soft cloth. Clean glass with a mild cleaner (such as mild and non-abrasive soap). Do not use abrasive materials such as scouring pads or powders, steel wool or abrasive paper.