



## Open Frame Generator Dimensions Measurement and Fitment Guide

---

This guide will help you properly measure your open frame generator and determine the correct GenTent setup for a safe and secure fit.

---

### Step 1: Measure Your Generator Frame

Measure your generator **from frame post to frame post**.

- **Include:** vertical frame posts only
- **Exclude:** wheels, handles, and external components

GenTent mounts directly to the **vertical frame posts**, so accurate frame measurements are essential.

---

### Step 2: Record Your Dimensions

Measure and note:

- **Width (side to side)**
- **Length (front to back)**

These two measurements will determine:

- Which canopy size you need
  - The correct setting for the aluminum extender arm to achieve the target dimensions
- 

### Step 3: Match Your Measurements to a Canopy Size

**Compare your measurements to the target fit ranges below:**

Measure the width and length of the generator frame to create an offset rectangle; extend the telescoping clamp and rod holder out to meet the desired setting.

Use your measured **frame width (left side)** and **frame length (top)** to locate your position in the grid.

ORIGINAL SIZE CANOPY MODEL DIMENSIONS:

WIDTH: 23"-25"

LENGTH: 34"-36"

## GenTent Original Clamp Easy Adjustment Guide

		Generator Frame Length																	
		23	23.5	24	24.5	25	25.5	26	26.5	27	27.5	28	28.5	29	29.5	30	30.5	31	31.5
Frame Width	22.5	3	3	3	3	3	2	2	2	2	1	1	1	1	0	0	0		
	22	4	3	3	3	3	3	2	2	2	2	1	1	1	1	0	0	0	
	21.5	4	4	3	3	3	3	2	2	2	2	1	1	1	1	0	0	0	0
	21	4	4	4	3	3	3	3	2	2	2	2	1	1	1	1	0	0	0
	20.5	4	4	4	4	3	3	3	3	2	2	2	2	1	1	1	0	0	0
	20	4	4	4	4	4	3	3	3	3	2	2	2	2	1	1	0	0	0
	19.5	4	4	4	4	4	3	3	3	3	2	2	2	2	2	1	1	0	0
	19	4	4	4	4	4	4	3	3	3	3	2	2	2	2	1	1	1	0
	18.5	4	4	4	4	4	4	4	3	3	3	3	2	2	2	2	1	1	0
	18	4	4	4	4	4	4	4	4	4	3	3	2	2	2	2	1	1	1
	17.5	4	4	4	4	4	4	4	4	4	3	3	3	2	2	2	1	1	1
	17	4	4	4	4	4	4	4	4	4	3	3	3	3	2	2	1	1	1
	16.5	4+GTU	4	4	4	4	4	4	4	4	4	3	3	3	2	2	2	1	1
	16	4+GTU	4+GTU	4	4	4	4	4	4	4	4	3	3	3	2	2	2	1	1

XL SIZE CANOPY MODEL DIMENSIONS:

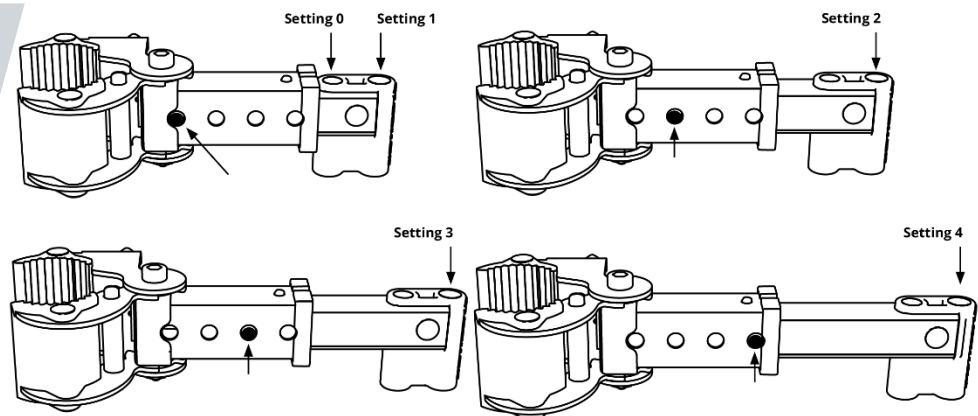
WIDTH: 27"-29"

LENGTH: 41"-43"

## GenTent XL Clamp Easy Adjustment Guide

		Generator Frame Length																	
		31	31.5	32	32.5	33	33.5	34	34.5	35	35.5	36	36.5	37	37.5	38	38.5	39	
Frame Width	27.5	4	4	4	4	3	3	3	2	2	2	2	1	1	1	1	0		
	27	4	4	4	4	3	3	3	3	2	2	2	2	1	1	1	1		
	26.5	4	4	4	4	4	3	3	3	3	2	2	2	2	1	1	1	0	
	26	4	4	4	4	4	4	3	3	3	3	2	2	2	1	1	1	1	
	25.5	4	4	4	4	4	4	4	4	3	3	3	2	2	2	1	1	1	
	25	4	4	4	4	4	4	4	3	3	3	3	2	2	2	2	1	1	
	24.5	4	4	4	4	4	4	4	4	3	3	3	3	2	2	2	1	1	
	24	4+GTU	4	4	4	4	4	4	4	4	3	3	3	2	2	2	2	1	
	23.5	4+GTU	4+GTU	4	4	4	4	4	4	4	4	3	3	3	2	2	2	2	
	23	4+GTU	4+GTU	4+GTU	4	4	4	4	4	4	4	3	3	3	3	2	2	2	
	22.5	4+GTU	4+GTU	4+GTU	4+GTU	4	4	4	4	4	4	4	3	3	3	2	2	2	
	22	4+GTU	4+GTU	4+GTU	4+GTU	4+GTU	4	4	4	4	4	4	3	3	3	3	2	2	
	21.5	4+GTU	4+GTU	4+GTU	4+GTU	4+GTU	4+GTU	4	4	4	4	4	4	3	3	3	2	2	
	21	4+GTU	4+GTU	4+GTU	4+GTU	4+GTU	4+GTU	4+GTU	4	4	4	4	4	4	3	3	3	2	

### ILLUSTRATED CLAMP SETTINGS





#### Step 4: Understand Clamp Extension Setup

Clamp Extensions allow you to “build out” your generator’s footprint to match the canopy.

- Think of your generator as forming an **offset rectangle**
- This ensures proper canopy tension and coverage
- Most generators do not need adaptation
- Slight adjustments are normal during setup

---

#### Step 5: Optimize for Best Fit

For proper installation and performance:

- Aim to land **within the target dimension ranges**
- Keep the setup as **symmetrical as possible**
- If you are in the right size canopy, and fall within a size that requires GTU Frame Adapters, adaption kits are available separately at [www.gentent.com](http://www.gentent.com), or by calling 781-334-8368
- Always confirm your canopy size before adapting
- When in doubt, slightly under sizing and extending evenly is better than overextending

A properly sized and balanced setup ensures:

- Secure mounting
- Proper airflow
- Maximum weather protection

#### Quick Links:

GenTent Open Frame Installation Manual:

[gentent.com/lowes-open-frame-fit-doc10/](http://gentent.com/lowes-open-frame-fit-doc10/)



GenTent Open Frame Installation Videos:

[gentent.com/lowes-open-frame-fit-install-video/](http://gentent.com/lowes-open-frame-fit-install-video/)

