

## General Guidelines

- Please read the following instruction carefully and use the product accordingly.
- Please keep this manual and hand it over when you transfer the product.
- This summary may not include every detail of all variations and considered steps. Please contact us when further information and help are needed.

## Notes

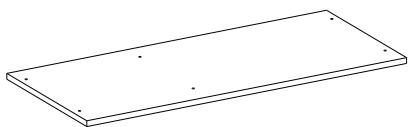
- The item is only intended to be used indoors. Personal injury and/or damage to the product may occur if products are used outside of their intended purposes and/or if products have been changed/modified from their original design. The product must be assembled and used in accordance with the provisions of the manual. The seller does not assume any responsibility or liability with respect to any damage caused by incorrect assembly or improper use.
- Do not place it in a damp environment for extended periods of time to prevent mildew.
- During assembly, first loosely align all screws with the corresponding pre-drilled holes and then tighten the screws one by one.
- Periodically inspect screw tightness while the product is in use. If necessary, re-tighten to ensure structural integrity.

## Warnings

- Children are not allowed to assemble the product. During assembly, keep small parts out of the reach of children as they may be fatal if swallowed or inhaled.
- Children are not allowed to climb or stand on the product to avoid personal injury caused by the toppling.
- Keep plastic packing bags out of reach of children to avoid any potential danger, such as suffocation.
- Avoid sharp objects and corrosive chemicals to prevent damage to the product or the user.
- Avoid placing food directly on the metal wire basket for food hygiene reasons.
- The total maximum static load capacity of the product is 80 kg (176 lb), that of top shelf is 15 kg (33 lb) and that of wire basket is 10 kg (22 lb). Do not place overweight items on the product.

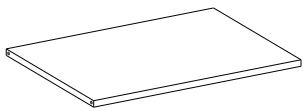
**A**

× 1



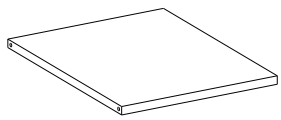
**B**

× 2



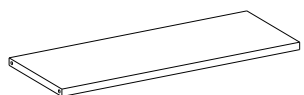
**C**

× 2



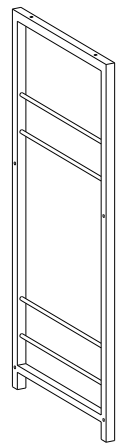
**D**

× 1



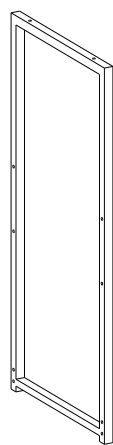
**E**

× 1



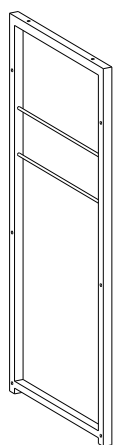
**F**

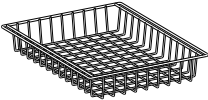

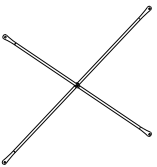



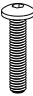


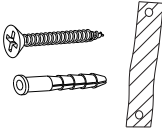
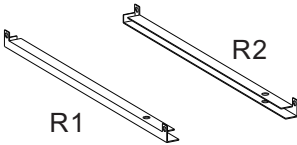

× 1



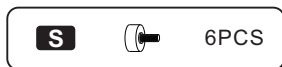
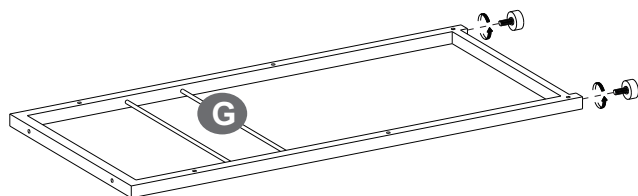
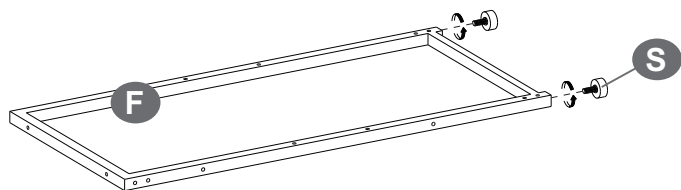
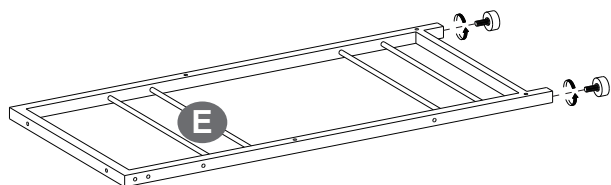
**G**

× 1

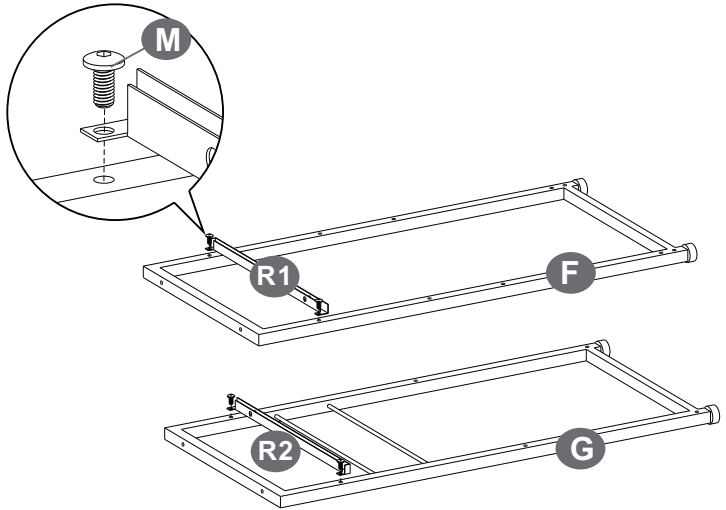


<p><b>H</b> × 1</p> 	<p><b>I</b> × 2</p> 	<p><b>J</b> × 1</p> 
<p><b>K</b> × 1</p> 	<p><b>L</b> × 6</p> 	<p><b>M</b> 8+1</p>  <p>M6 × 13 mm</p>
<p><b>N</b> 10+1</p>  <p>M6 × 30 mm</p>	<p><b>O</b> 20+1</p> 	<p><b>P</b> × 2</p> 
<p><b>Q</b> × 1</p> 	<p><b>R</b> × 1</p>  <p>R1 R2</p>	<p><b>S</b> × 6</p> 

1



2

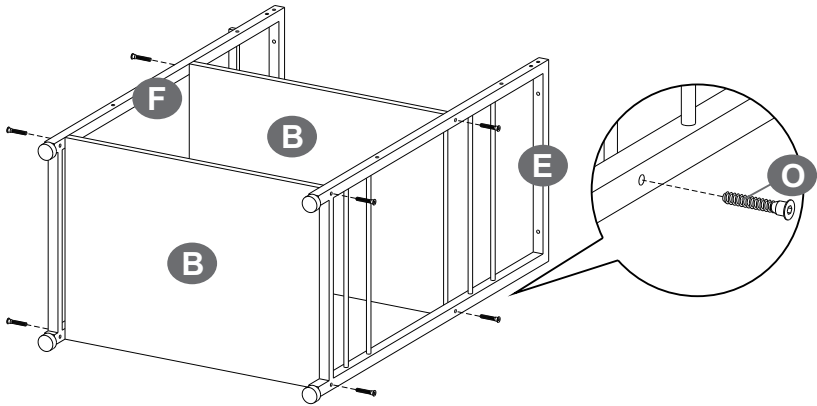


M



4PCS

3

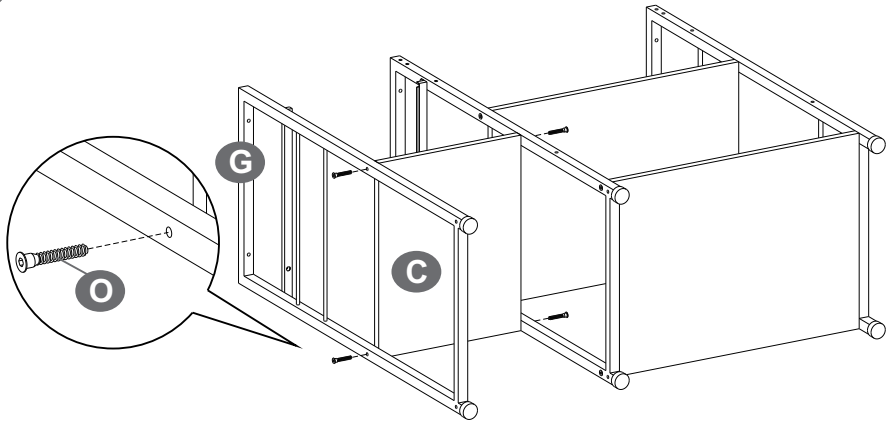


O



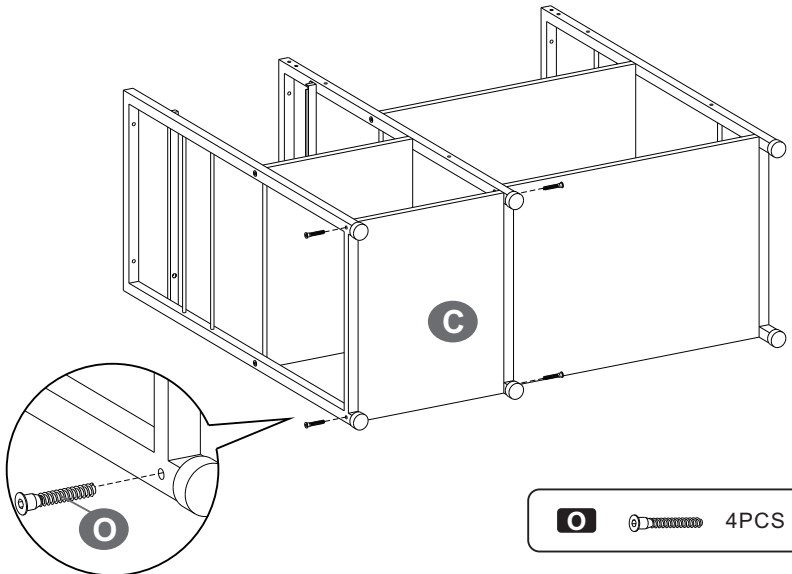
8PCS

4



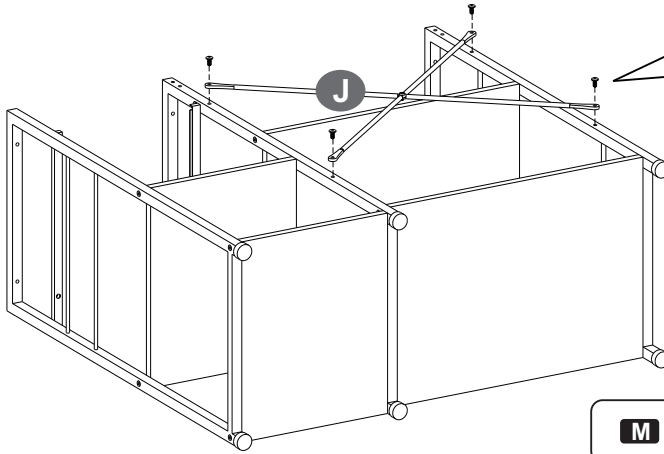
**O**  4PCS

5



**O**  4PCS

6

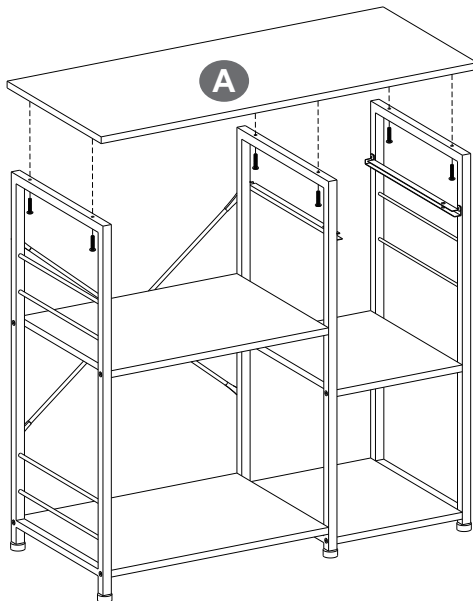


M



4PCS

7



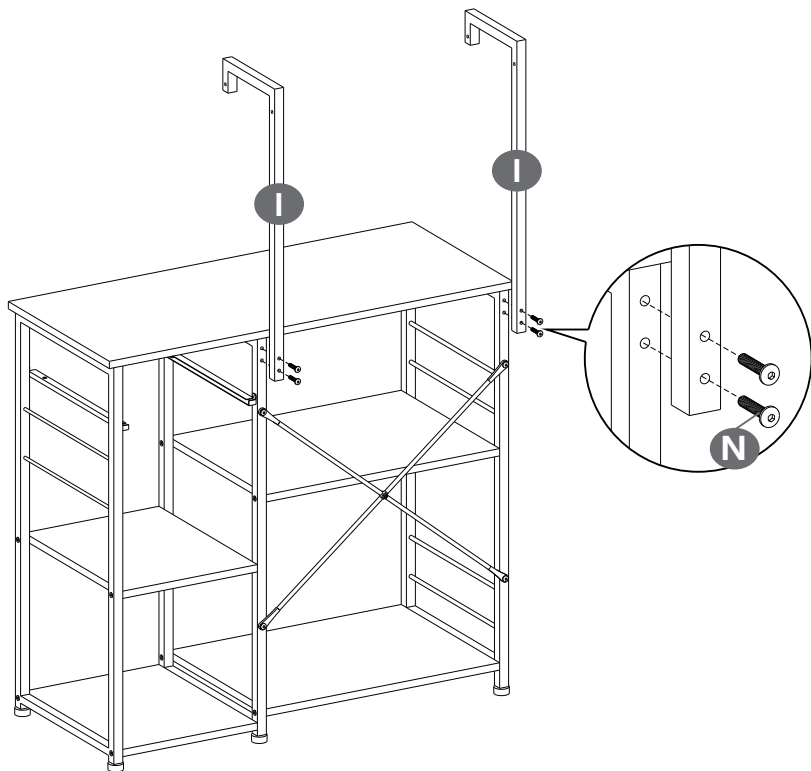
N

N



6PCS

8

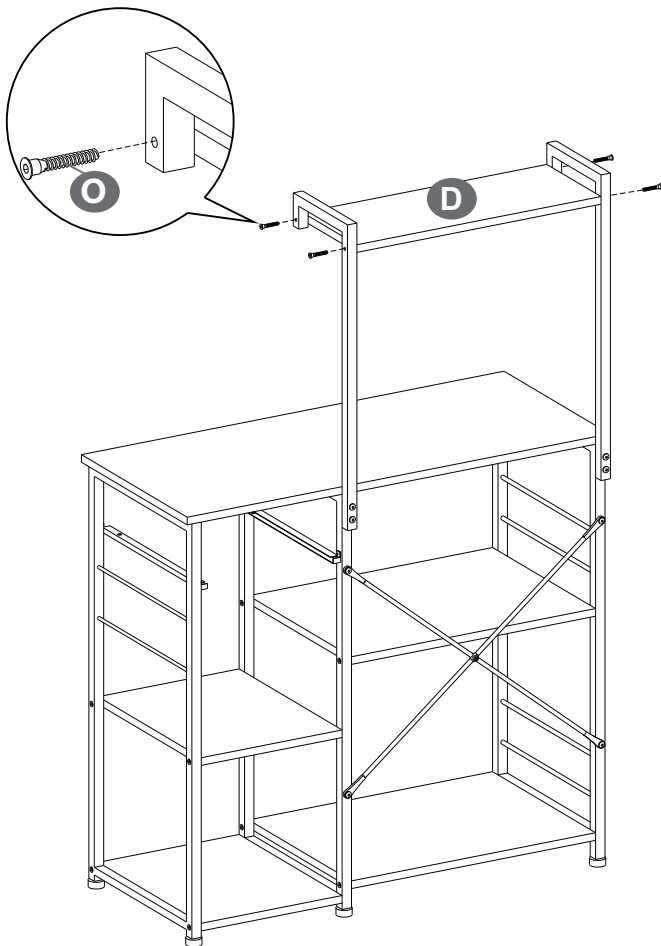


**N**



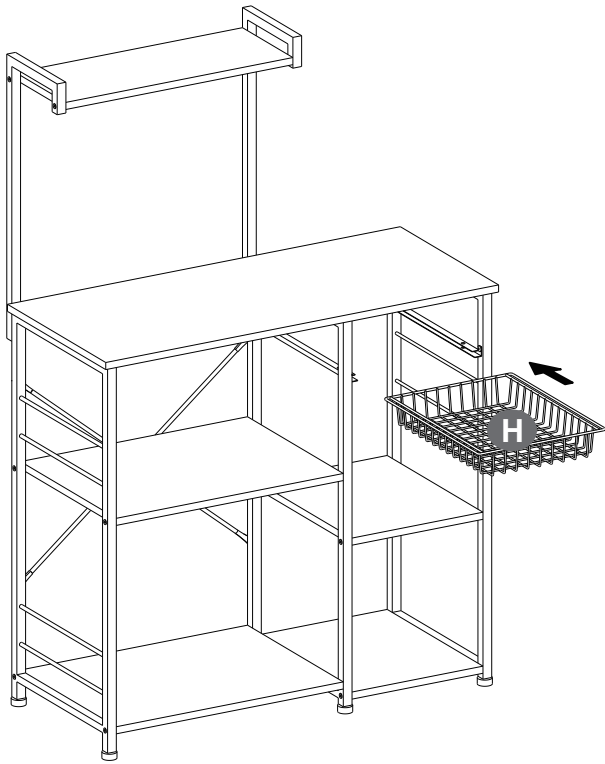
4PCS

9

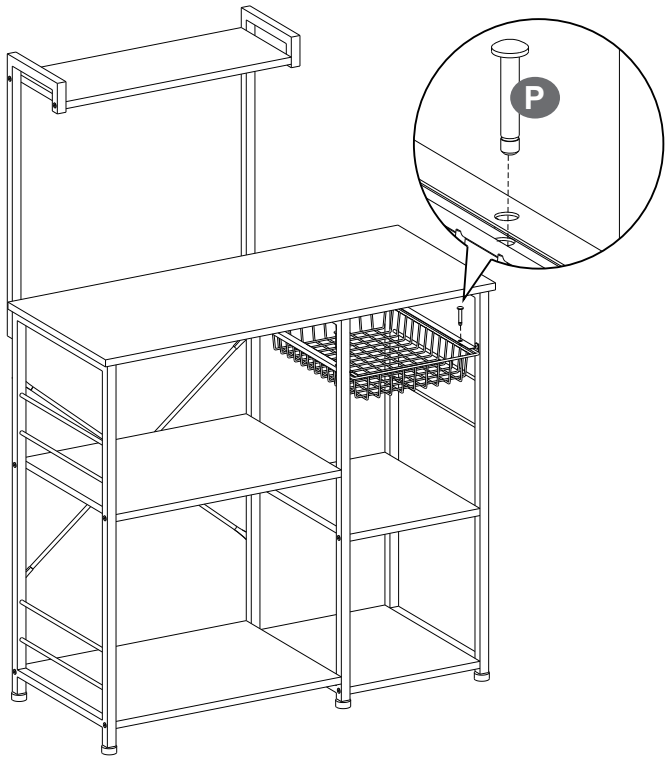


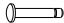
4PCS

10

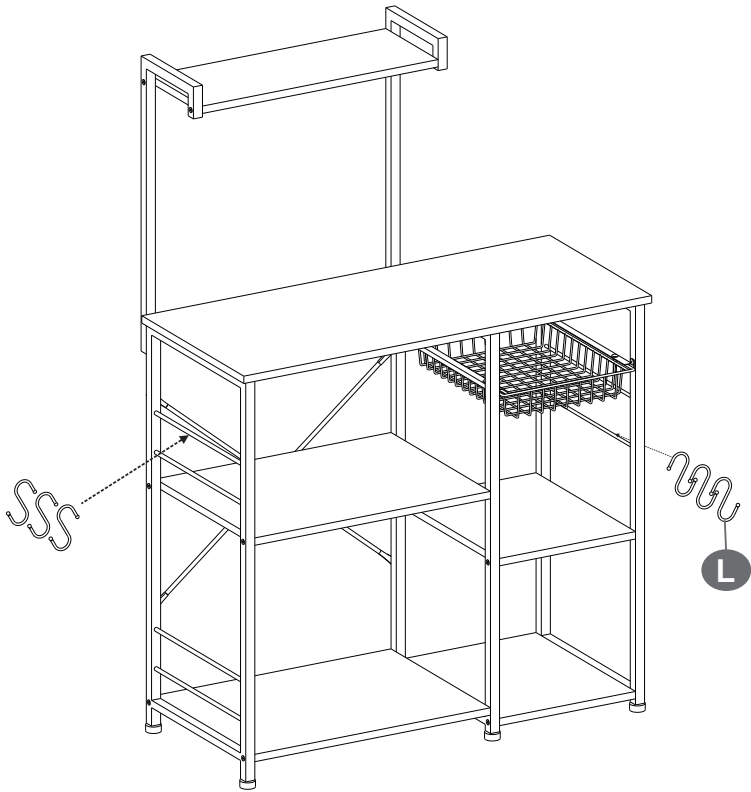


11

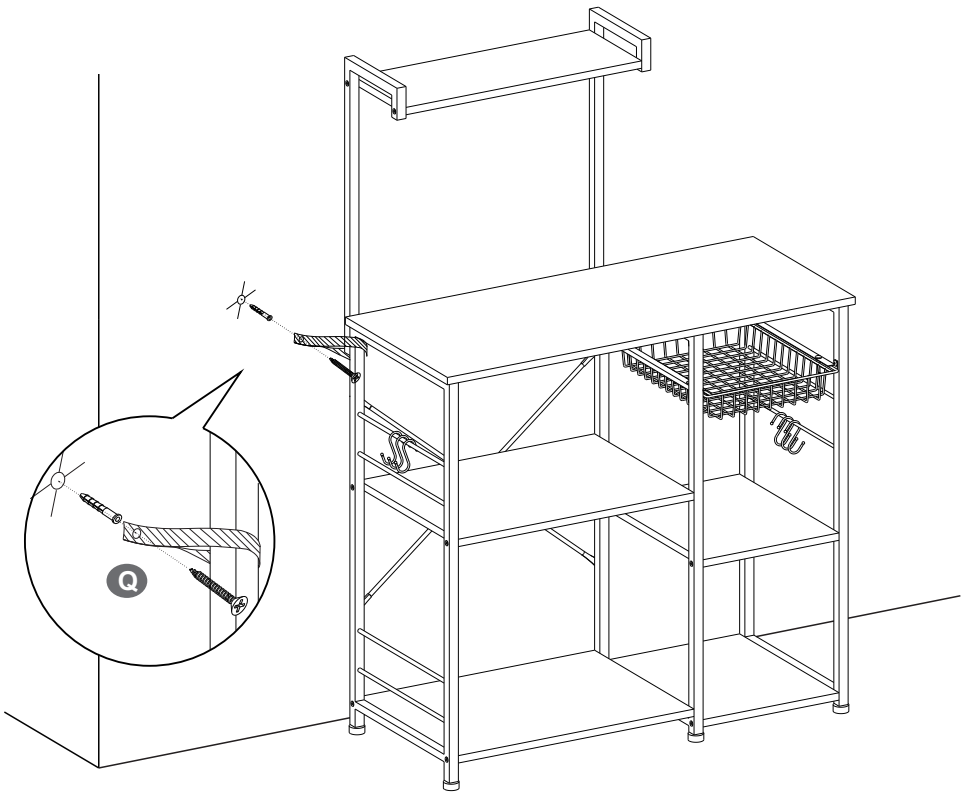


**P**  2PCS

12



13



  1PC