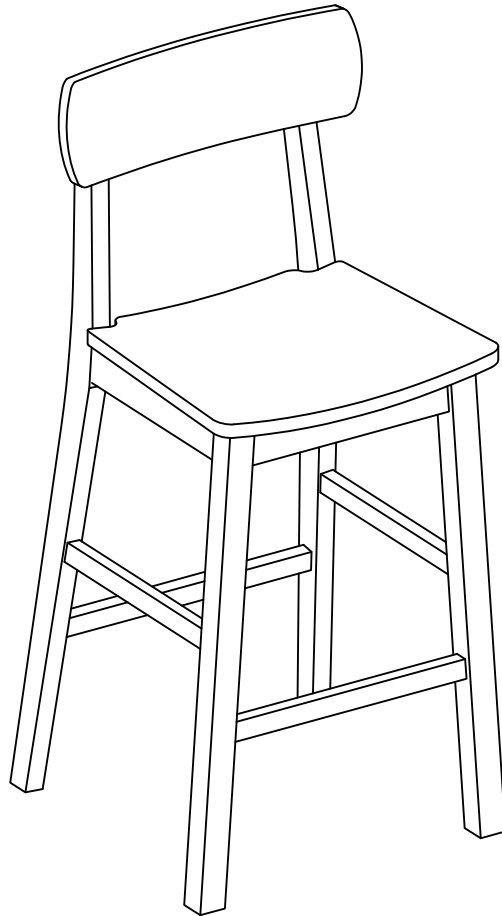




Boraam Industries

ASSEMBLY INSTRUCTIONS

SKU: 76724,76729 | TORINO STOOL



Weight Capacity

08/2023



Have questions about assembling your item?



Items or parts damaged?



Missing a part?

We're here to help! (Monday-Friday from 9am-5pm CST)



847-949-6300
877-267-2261



customerservice@
boraamindustries.com



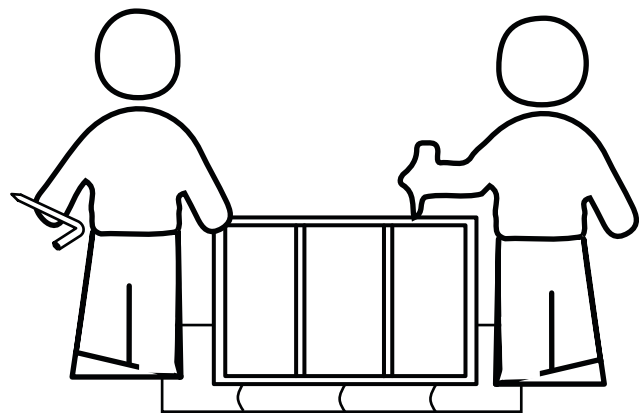
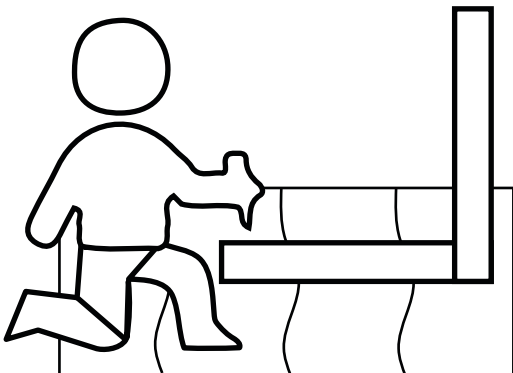
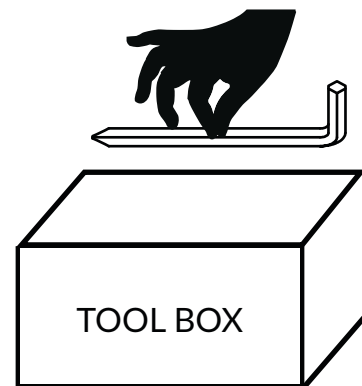
www.boraamindustries.com



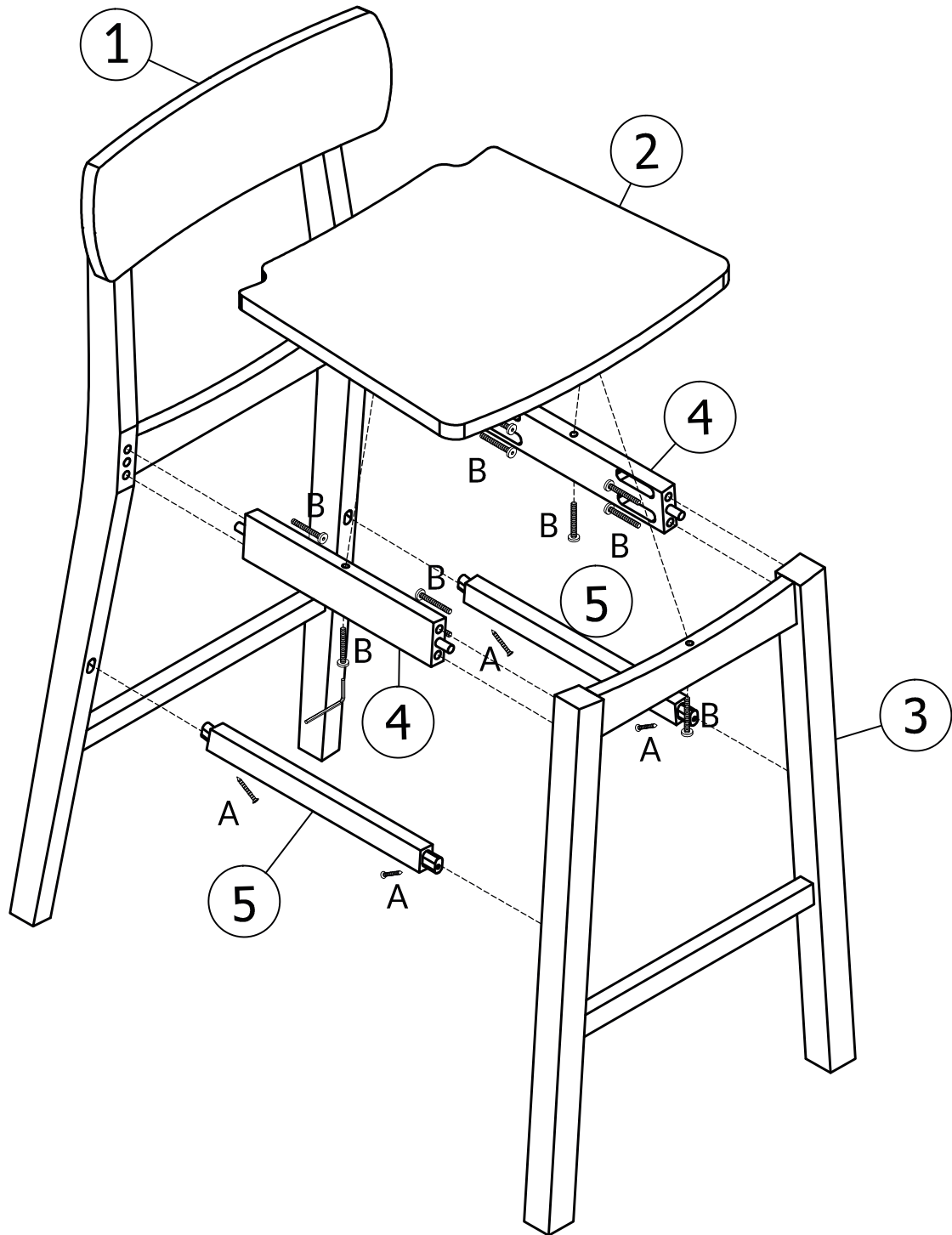
Philips screwdriver
not included.

Assembly And Care

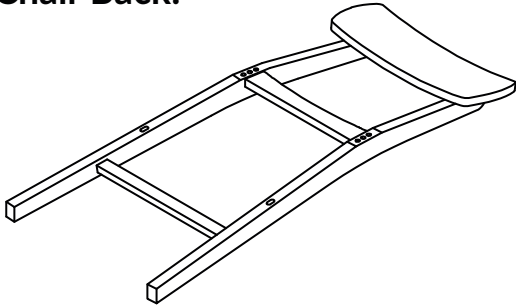
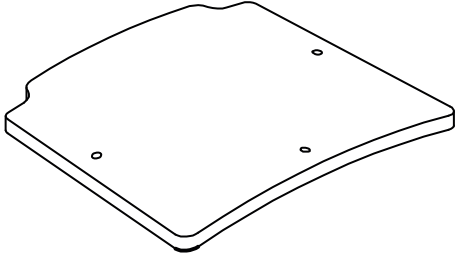
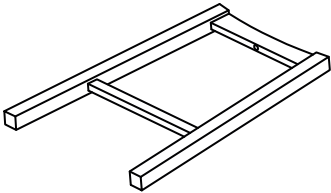
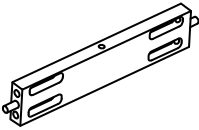
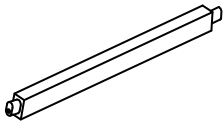
- All required tools for assembly are included unless noted.
- Locate and inspect all parts for missing items or damage prior to assembly.
- Do not dispose of packing materials until assembly is completed.
- Assemble item on a soft, clean surface to prevent damage to the item.
- Proper assembly requires 2 people.



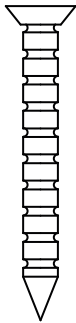
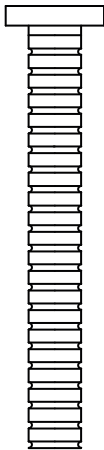

Assembly Overview



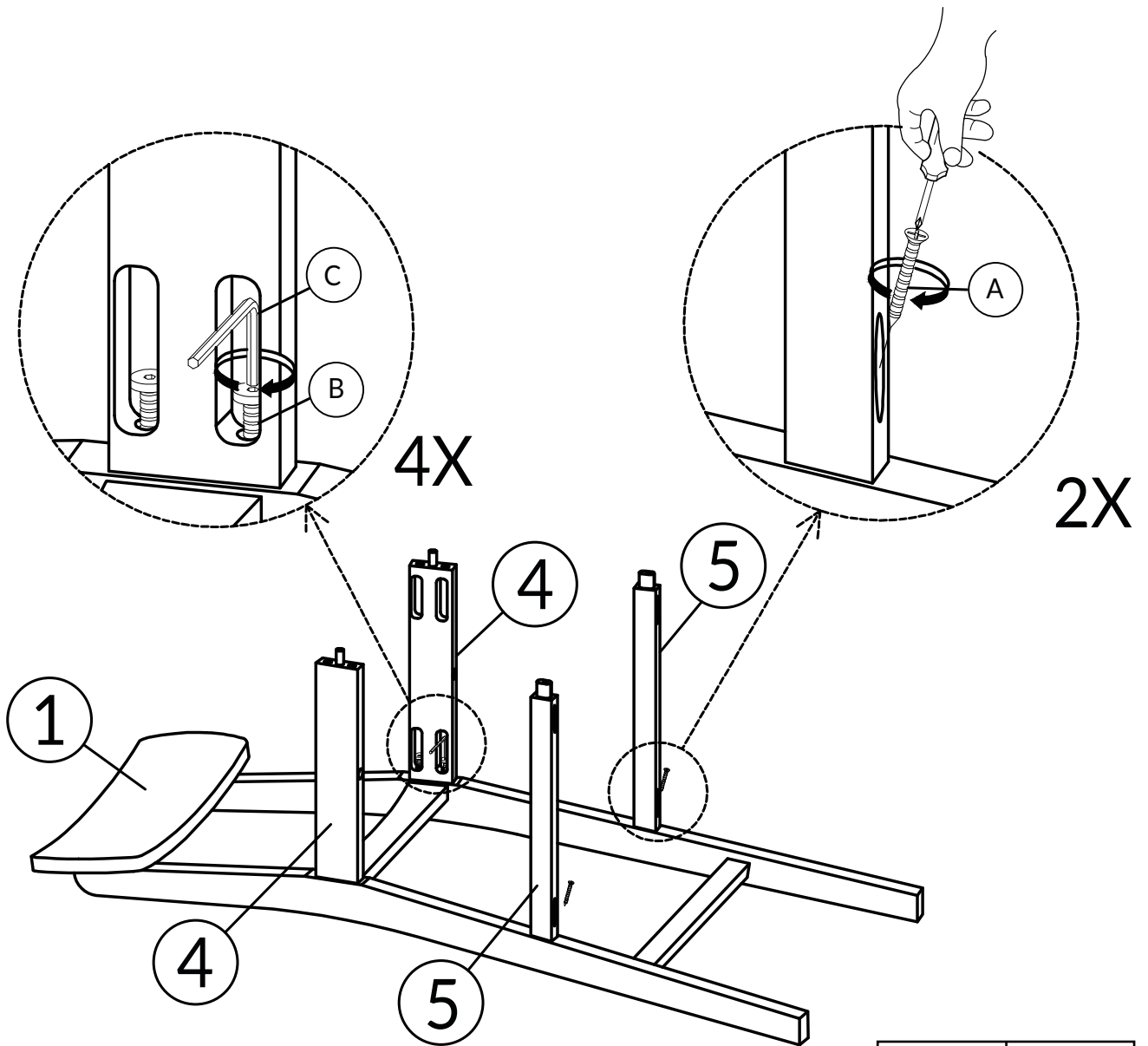
PARTS

<p>① (x1)</p>	<p>② (x1)</p>	
<p>Chair Back:</p> 	<p>Seat Frame:</p> 	
<p>③ (x1)</p>	<p>④ (x2)</p>	<p>⑤ (x2)</p>
<p>Leg Frame:</p> 	<p>Side Apron:</p> 	<p>Side Stretcher:</p> 

HARDWARE

<p>Ⓐ (x4)</p>	<p>Ⓑ (x11)</p>	<p>Ⓒ (x1)</p>
		
<p>Screw M4x35</p>	<p>Bolt M6x50</p>	<p>Allen Wrench</p>

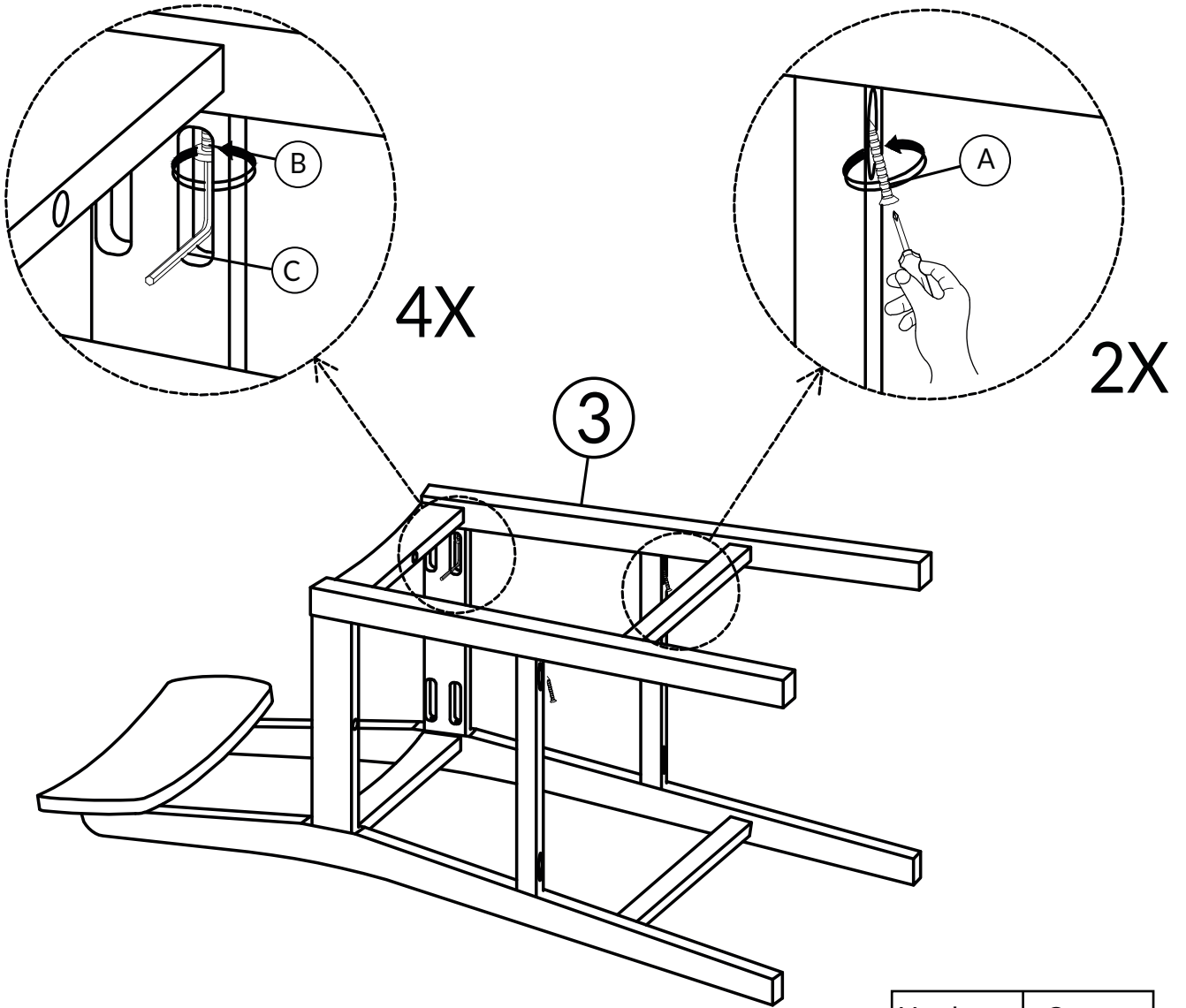
01



Hardware	Count
A	2
B	4
C	1

DO NOT TIGHTEN BOLT AND SCREW COMPLETELY.

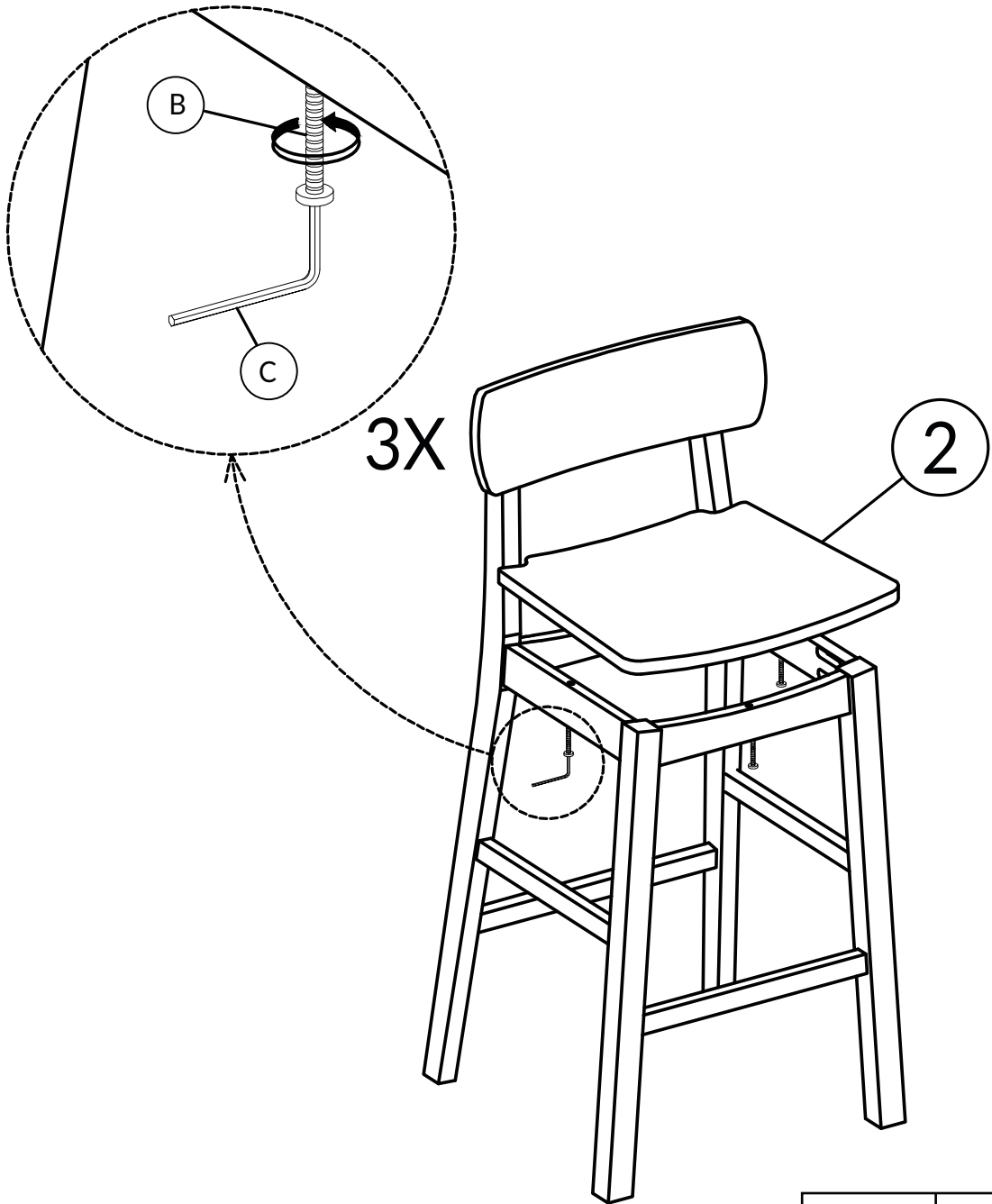
02



Hardware	Count
A	2
B	4
C	1

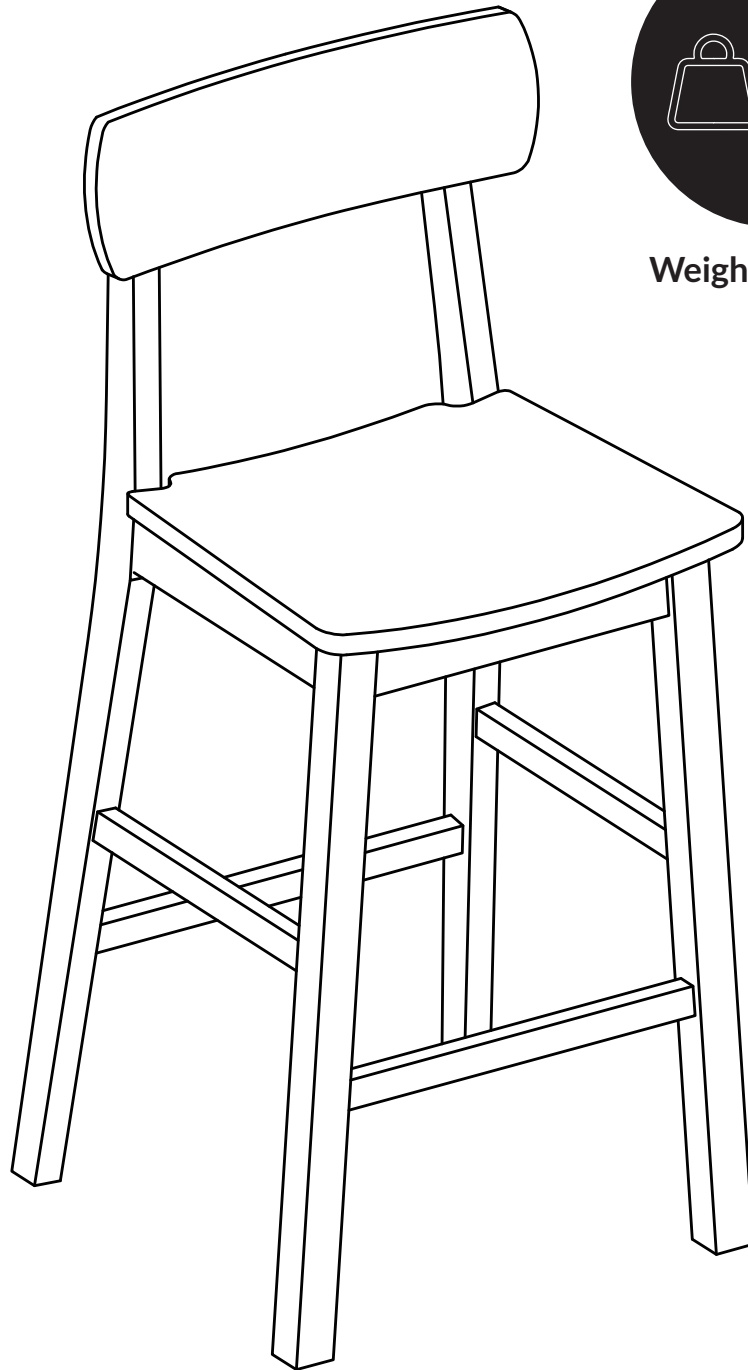
DO NOT TIGHTEN BOLT AND SCREW COMPLETELY.

03



Hardware	Count
B	3
C	1

TIGHTEN BOLT AND SCREW COMPLETELY.



Weight Capacity

BE SURE TO CHECK ALL BOLTS ARE SECURELY TIGHTENED PRIOR TO USE.

847-949-6300 | 877-267-2261 | customerservice@boraamindustries.com