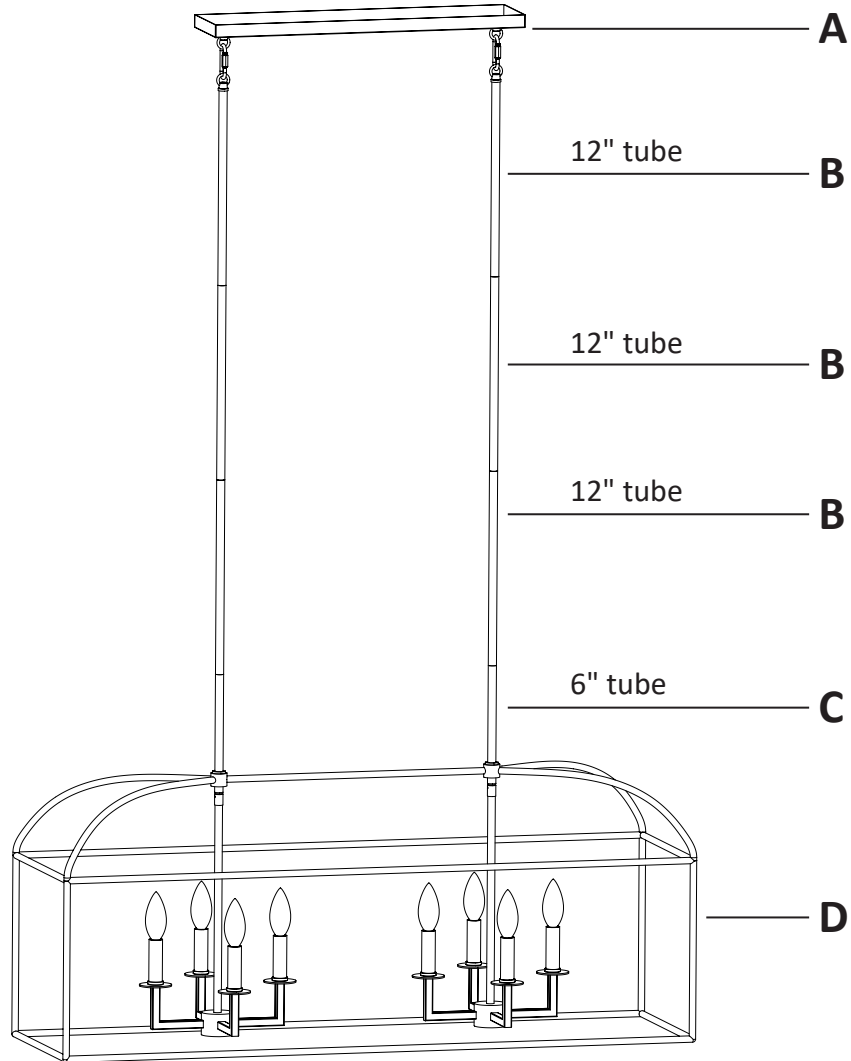
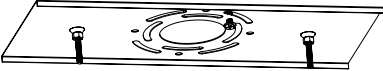
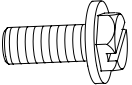
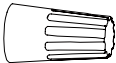

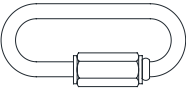
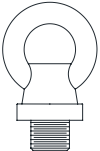


USE AND CARE MANUAL

8 LIGHT PENDANT Model number: 21172



Hardware (Parts are not to scale)

<p>H1 Mounting plate (Pre-assembled to canopy assembly) 1 pc</p>		<p>H2 Outlet box screw 2 pcs</p>	<p>H3 Green ground screw (Pre-assembled to mounting plate) 1 pc</p> 
<p>H4 Wire connector 3 pcs</p> 	<p>H5 Cap nut (Pre-assembled to support screw) 2 pcs</p> 	<p>H6 Quick link 2 pcs</p> 	<p>H7 Loop assembly 2 pcs</p> 

THIS MANUAL CONTAINS IMPORTANT SAFETY INFORMATION. PLEASE READ AND KEEP FOR FUTURE REFERENCE.

IMPORTANT SAFETY INFORMATION

- Please read and understand this entire manual before attempting to assemble, operate or install the product.
- Turn off electricity at main fuse box (or circuit breaker box) before beginning installation by removing fuse (or switching off circuit breaker).
- Be careful not to damage or cut the wire insulation (covering) during fixture installation. Do not permit wires to contact any surface having a sharp edge. To do so may damage or cut the wire insulation, which could cause serious injury or death from electric shock.
- All electrical connections must be in agreement with local codes, ordinances or the national electric code (NEC). Contact your municipal building department to learn about your local codes, permits and/or inspections. If you do not have electrical wiring experience, refer to a do-it-yourself wiring handbook or have your fixture installed by a qualified licensed electrician.
- Risk of fire – most dwellings built before 1985 have supply wire rated for 140°F/60°C. Consult a qualified electrician before installation.
- Do not exceed the recommended wattage. Refer to the re-lamping label on the light socket for maximum wattage.
- Do not replace a bulb when electrical outlet switch is turned to the “ON” position.
- Do not immerse your lamp in water; doing so will damage the wire.
- Keep materials that burn easily away from lighted bulbs.

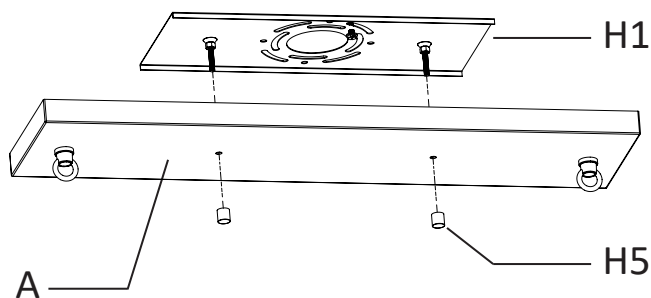
PREPARATION

- Before beginning assembly, installation or operation of product, make sure all parts are present. Compare parts with package contents list and diagram on previous page. If any part is missing or damaged, do not attempt to assemble, install or operate the product. Contact customer service for replacement parts.
- Tools required for assembly (not included): flathead screwdriver, phillips screwdriver, pliers, electrical tape, wire cutters, safety glasses, ladder, wire stripper.

INSTALLATION

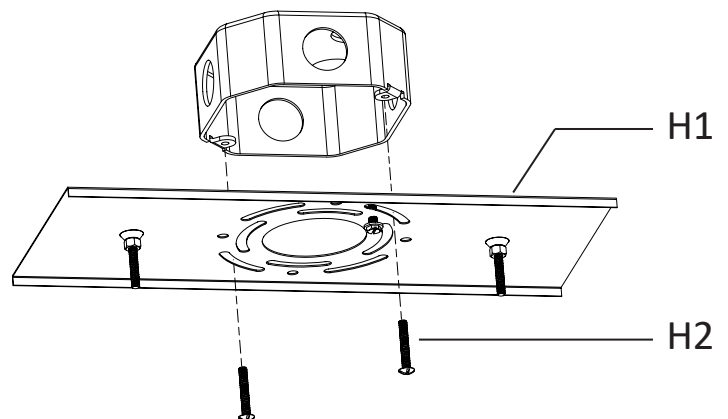
1 Preparing the mounting plate

- Unscrew the two cap nuts (H5) from the mounting plate (H1). Remove the mounting plate (H1) from the canopy assembly (A), and keep the mounting plate (H1) and cap nuts (H5) for later use.



2 Installing the mounting plate

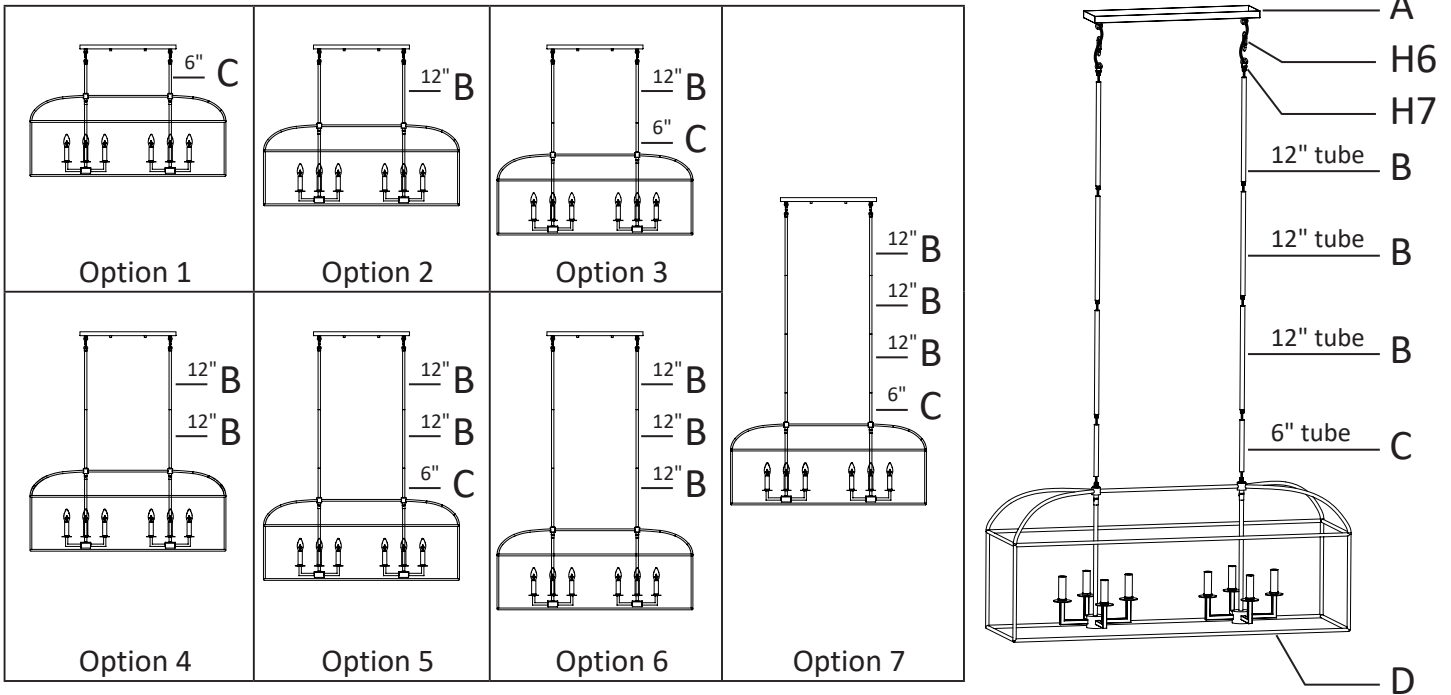
- Fasten the mounting plate (H1) onto the outlet box using two outlet box screws (H2).



INSTALLATION (continued)

3 Assembling the tubes and canopy assembly to the fixture body

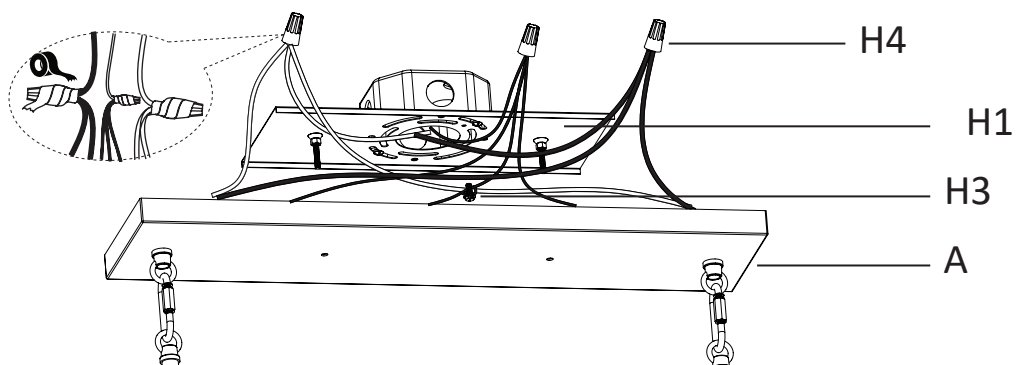
- Guide the fixture wire with the bare copper ground wire through the tubes (B, C) and the loop assembly (H7).
- Tighten the loop assembly (H7) and the tubes (B, C) together onto the fixture body (D) until secured respectively as shown in the diagram.
- Guide the fixture wire with the bare copper ground wire through the canopy assembly (A). Open the two quick links (H6) and connect the canopy assembly (A) to the loop assembly (H7) and close the quick links (H6).
- There are seven different height options for the user to choose from:



4 Making the electrical connections

- Strip 3/4 in. of insulation from the wire ends.
- Connect the two glossy live wires from the fixture to the black wire from the outlet box, and the two rough neutral wires from the fixture to the white wire from the outlet box.
- Connect the two bare copper ground wires from the fixture to the bare copper ground wire from the canopy assembly (A) and the ground wire from the outlet box. The bare copper ground wire from the fixture must loop one turn the head of the green screw (H3) on the mounting plate (H1) before it is connected to the ground conductor of the supply circuit.
- Cover the wires with wire connectors (H4). Tape the wire connectors (H4) and wires together, and carefully position all wires inside the outlet box.

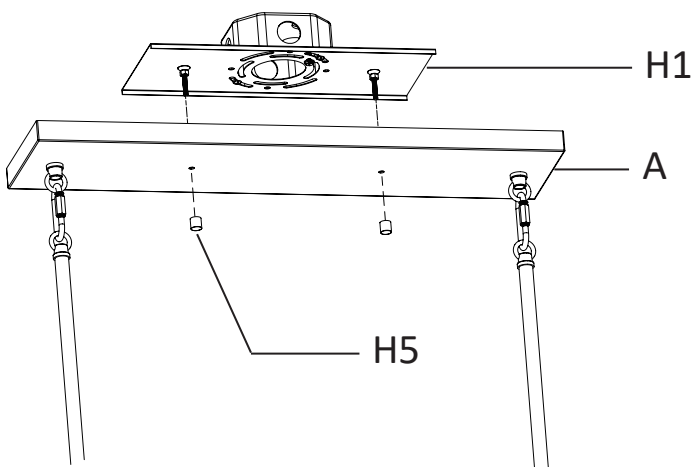
NOTE: The glossy live wire has the text printed on it; the rough neutral wire has the ridge on it.



INSTALLATION (continued)

5 Installing the canopy assembly to the outlet box

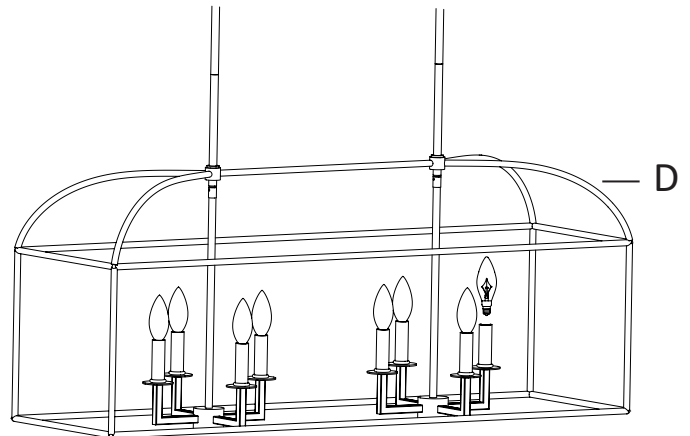
- Place the canopy assembly (A) over the outlet box, let the heads of the support screws of the bracket plate (H1) come through the holes of the canopy assembly (A).
- Tighten the cap nuts (H5) onto the protruding support screws on mounting plate (H1) until the canopy assembly (A) is held firmly against the ceiling.



6 Installing the light bulbs

- Install the light bulb (not provided) into the socket. Use eight **MAX 60 W candelabra base (E12) type "B"** bulbs (recommended).

NOTE: You can also use eight **MAX 9W candelabra base (E12) self-ballasted LED** bulbs. Do not exceed the recommended wattage.



CLEANING

- Do not use any cleaners with chemicals, solvents, or harsh abrasives. Use only a dry, soft cloth to dust or wipe carefully.
- To clean the fixture, disconnect the power by turning off the circuit breaker or by removing the fuse at the fuse box. Use a dry or slightly dampened, clean cloth to wipe the exterior surface of the fixture.

TROUBLESHOOTING

- The light does not come on at all:
 - a) Check whether the bulbs were burned out.
 - b) Make sure the wall switch is on.
 - c) Make sure the wiring is correct.
 - d) Make sure the circuit breaker is set in the "ON" position.
- Fuse blows or circuit trips when light is turned on.
 - a) Check for crossed wires, ensure wiring is correct.