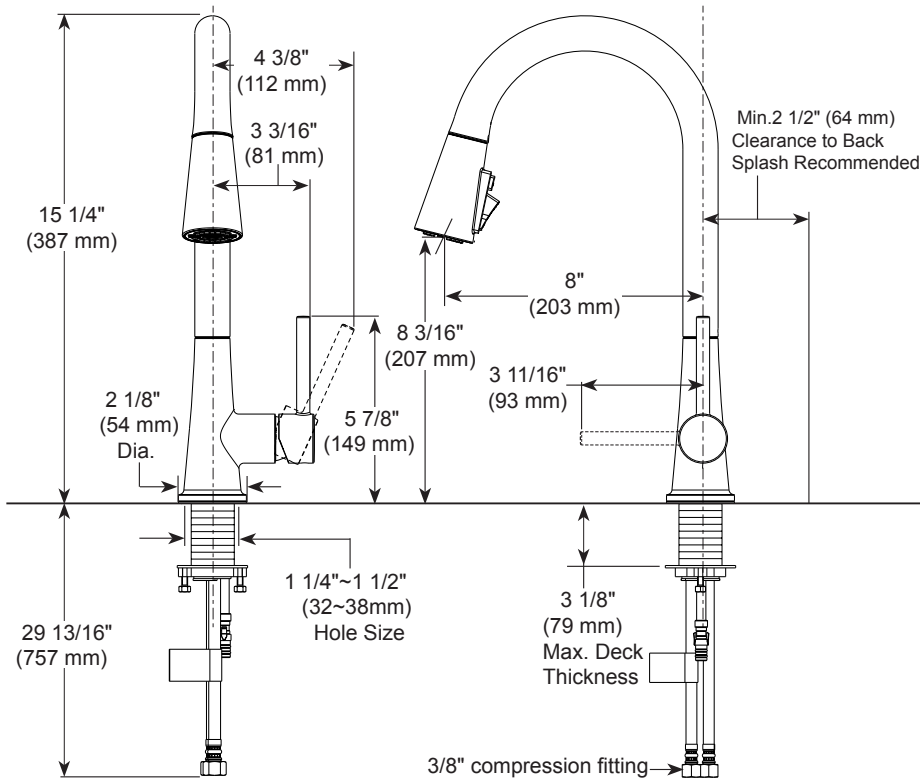
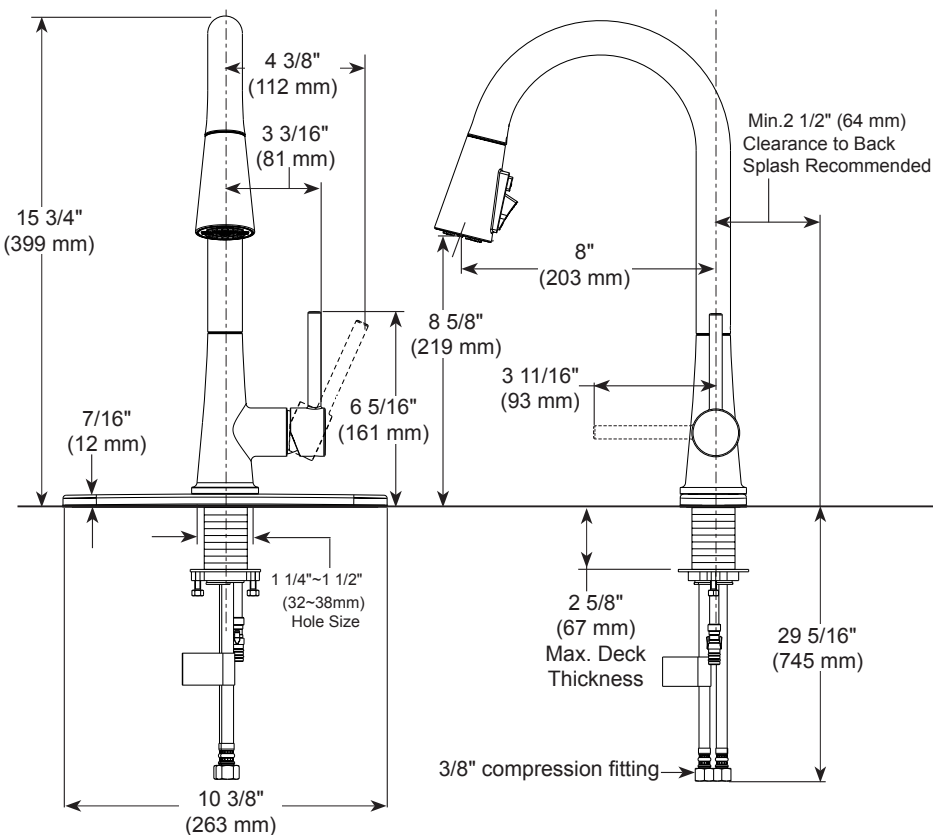


PEERLESS®

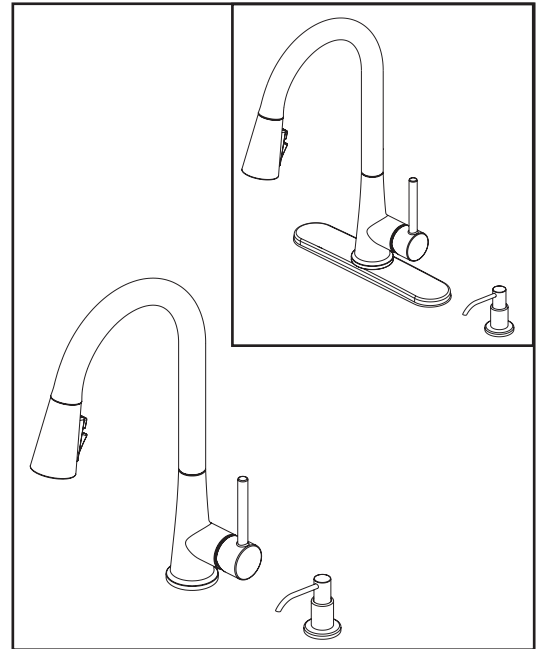
Mounting without escutcheon plate



Mounting with escutcheon plate



P7947LF▲
P7947LF▲-1.0



KITCHEN FAUCETS

- Precept™ Collection
- Single handle pull-down
- 1, 2, 3 or 4 Hole Sink Applications

STANDARD SPECIFICATIONS:

- Maximum 1.5 gpm @ 60 psi, 5.7 L/min @ 414 kPa (P7947LF▲)
- Maximum 1.0 gpm @ 60 psi, 1.9 L/min @ 414 kPa (P7947LF▲-1.0)
- 1, 2, 3, 4 hole mount options (escutcheon and soap dispenser optional, sold separately)
- 3 function wand: aerated stream, spray, POWERInse™
- Dual integral check valves in sprayer
- Ceramic cartridge
- Spout rotates 360°
- Red/Blue indicator markings.
- Polymer braided flexible supply hose with with 3/8" compression fitting - 29 13/16" (757mm) long

WARRANTY:

- Parts and Finish - Lifetime limited warranty; or for commercial purchasers, 10 years for multi-family residential (apartments and condominiums) and 5 years for all other commercial uses, in each case from the date of purchase.

COMPLIES WITH:

- ASME A112.18.1 / CSA B125.1
- ♿ Indicates compliance to ICC/ANSI A117.1

▲ Designate proper finish suffix

PSP-K-P7947LF Rev B