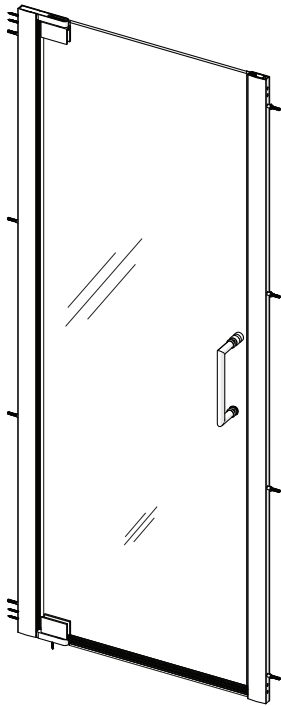




# ELEGANCE/ELEGANCE-LS (STYLE A) SINGLE DOOR SHOWER DOOR *INSTALLATION INSTRUCTIONS*

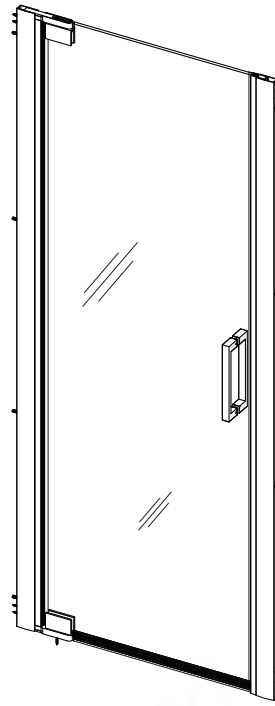
PLEASE REVIEW THIS ENTIRE MANUAL PRIOR TO INSTALLATION



**Elegance**

**Model #s:**

SHDR-4125720-##  
SHDR-4127720-##  
SHDR-4128720-##  
SHDR-4130720-##  
SHDR-4132720-##  
SHDR-4134720-##  
SHDR-4135720-##



**Elegance-LS**

**Model #s:**

SHDR-4325000-##  
SHDR-4327000-##  
SHDR-4328000-##  
SHDR-4330000-##  
SHDR-4332000-##  
SHDR-4334000-##  
SHDR-4335000-##

**## = Finish:**

**01** = Chrome  
**04** = Brushed Nickel  
**06** = Oil-Rubbed Bronze  
**09** = Satin Black

\*left swing door installation shown

**IMPORTANT!**

DreamLine® reserves the right to alter, modify or redesign products at any time without prior notice for the purpose of product improvement and customer experience. Please refer to the model's web page on **DreamLine.com** for the latest technical drawings, installation manuals, warranty information or additional product details.

**Do Not Return Product to the Store. Contact DreamLine® with any questions**



**Questions?**

Please contact DreamLine Customer Support  
See **DreamLine.com** for hours of operation

**Support@DreamLine.com**

**1-866-731-2244**





**Do not remove ClearMax stickers until glass is installed.**



**This model is treated with DreamLine's exclusive ClearMax™ Glass technology. This is a specially formulated coating that prevents the build up of soap and water spots.**

**Install the surface with the ClearMax™ label towards the inside of the shower. Please note that depending on the model, the glass may be coated on either one or both surfaces.**

**For best results, squeegee the glass after each use and dry with a soft cloth.**

Record the following purchase information for your records or in the event you need to contact DreamLine®:

Purchase Order Number \_\_\_\_\_

Store/Vendor Purchased From \_\_\_\_\_

Installation Date \_\_\_\_\_

OD Number (optional) \_\_\_\_\_  
\*found on the shipping box or label if available.


Installed By: \_\_\_\_\_

SKU Number \_\_\_\_\_


# Table of Contents

Section Title	Page #
ClearMax <sup>®</sup> Coating Information	—
Warnings and General Preparation	2
Model Specific Preparation	3
Tools	4
Configurations	5
Adjustable Wall Profile System	6
Detailed Diagram of Shower Door Components	7
Parts List	8-9
Installation Steps	10-26
Strike Profile Installation	20
Decorative Cover Installation	24
Bottom Sweep Vinyl Installation	25
Securing the Bottom Pivot Assembly to the Threshold (optional)	27
Product Maintenance	28
Troubleshooting	29
Factory Parts Information	30-32


## Symbol Legend




**TIP** - for ease of installation.




**CORRECT** - recommended.



**NOTE** - take note of special feature; additional information.

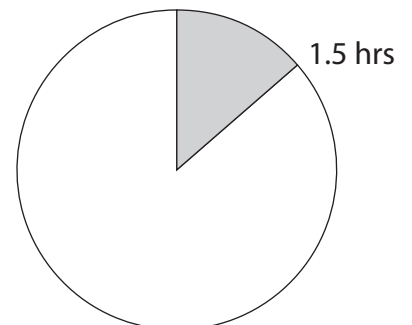


**INCORRECT** - not recommended.



**REQUIRED** - requires special attention; signifies a warning.

Average Installation Time





### IMPORTANT

- DreamLine® reserves the right to alter, modify or redesign products any time without prior notice for product improvement and customer experience. Please refer to the model's web page on [DreamLine.com](http://DreamLine.com) for the latest technical drawings, installation manuals, warranty information or additional product details.
- This product should be installed by someone familiar with the construction requirements for this type of project and the care necessary for the safe installation and operation of the product.
- The safety of any installation is the responsibility of the installer.
- Professional installation recommended. (*All Models*)
- Professional installation required. (*Enigma Series*)
- To prevent damage or serious injury; Do Not lean against the installed panel/door/glass.
- To prevent damage or serious injury; Do Not attempt to lift or move a heavy lite of glass alone. Use an assistant and/or a professional grade glass suction cup.
- The installation of some models may require drilling down into the threshold. Contact the manufacturer of the base, tub, or threshold material with any questions regarding the drilling of holes into their product.
- All drawings in this installation manual are for illustrative purposes only and are not drawn to scale.

### TEMPERED GLASS WARNING

- Your Shower Door Glass Could Shatter Without Warning if Improperly Installed or Mishandled
- Do Not install or operate a shower door if the glass has chipped corners, slivered edges or is otherwise damaged and/or has been dropped or banged into a hard surface such as tile, marble or glass.
- **The main causes of tempered glass breakage are:**
  - Improper handling, storage or installation
  - Misuse/abuse
  - Lack of maintenance
  - Failure to replace damaged glass
  - **Improper handling during storage, unpacking and installation:**
  - Corners and edges are the most susceptible area to damage on a lite of tempered glass and should be protected and handled with care during storage, unpacking, installation and operation. A concentrated point of pressure or impact with a surface harder than itself may cause the tempered glass to shatter. The tempered glass may release immediately, within several hours or even days later.
  - **Incorrect installation of door hardware, rollers, hinges, channels, stopper or glass:**
  - Improper installation may include: loose hardware and/or lack of proper gaskets between the hardware and glass. Additionally, improper alignment of guide rails, wall profiles or other hardware during installation or operation may place stress on the glass edges and cause it to break.
  - This product must be installed by a professional and experienced installer familiar with the safe handling of tempered glass.
  - **Improper use of this product:**
    - Aggressively opening or closing the door may cause trauma to the glass, which can lead to breakage. This may occur immediately or hours or even days later.
    - **The shower door hardware and glass should be inspected periodically:**
      - Instruct the homeowner how to perform a periodic inspection of the shower hardware and glass - some minor adjustments may be necessary based upon the use (or misuse) of the shower door. Ensure that the hardware remains tight and that the door alignment and operation are correct. Any adjustments should be made upon discovery to prevent damage to the product.
      - Additional considerations should be given to the installation of frameless tempered glass products in households with young children or an elderly person due to an increased chance of improper handling. In such cases, alternatives such as shower curtains or grab bars should be considered.

### GENERAL PREPARATION

- After opening all boxes and packages, read this introduction carefully. Check that all the items are included in the package by marking off the components on the "**Detailed Diagram of Product Components**" page. Examine all boxes and packages for shipping damage. If the unit has been damaged, has a finishing defect, or is missing parts; please contact our Customer Support department within 3 business days of the delivery date. **Please note that DreamLine® will not replace any damaged products or missing parts free of charge after 3 business days or if the product has been installed.** Please contact DreamLine® if you have any questions.
- **Please note that you should refer to your local building codes with questions on installation compliance standards. Building and plumbing codes may vary by location, and DreamLine® is not responsible for code compliance standards for your project and will not accept any returns.**
- If this unit is going to be installed in a new construction, install all the required plumbing and drainage before installing the shower. **Use a competent and licensed (if required by local code) plumber for all plumbing installation.**
- Make sure that prior to beginning the installation, the surfaces are leveled and solid and will be able to support the total weight of the unit. Also make sure the walls are at right angles. Irregular installation surface level, radius corners or improper angle of side walls will result in serious problems for your installation. Please note that some adjustments and drilling will be necessary during the installation process.
- Protect all primary surfaces of the product during installation. Never set your glass down directly onto a tile floor. Leave corner protectors in place until it is necessary to remove them. Always use a piece of wood or cardboard to protect the bottom edge and corners of the glass prior to and during installation.
- This unit must be installed upon a finished threshold and against finished walls.
- *DreamLine® shower doors are not designed to be installed into a fiberglass surround due to the radius corners and lack of a solid surface to mount the hardware.*

### WARNING: TO AVOID THE RISK OF DAMAGE OR INJURY:

- **Follow all recommendations and requirements as shown in the installation instructions.**
- Perform a thorough inspection of the glass and all parts for any damage prior to installation. Any damage to tempered glass can cause breakage. **Do Not install damaged glass!**
- Do Not install or operate a shower or tub door if the glass has chipped corners, slivered edges or is otherwise damaged. Do Not install or operate a shower or tub door that has been dropped or banged into a hard surface such as tile, marble or glass.
- **CAUTION:** Contact with any hard surface can damage tempered glass and cause it to shatter.
- This product uses tempered glass. Glass cannot be cut after it has been tempered. **Do Not attempt to cut tempered glass.**
- DreamLine® Glass Shower doors, Tub doors, Inline panels, and Return panels can shatter due to improper handling or lack of maintenance. Conduct periodic inspections of glass and all parts for possible damage, missing or loose parts.
- Always wear proper safety equipment such as: safety goggles, work gloves and appropriate footwear during the installation process.
- **WARNING. Risk of leakage and/or damage.** Follow all instructions regarding the application of silicone sealant or caulk. Allow 24 hours for the sealant to cure before the initial use of the shower or tub product. Follow the silicone manufacturer's recommendations regarding the use of their product.
- **Thoroughly read these instructions before installing or using this product.**
- **Leave this manual for the end-user of the product.**



This product should be installed by someone familiar with the construction requirements for this type of project and the care necessary for the safe installation and operation of the product.



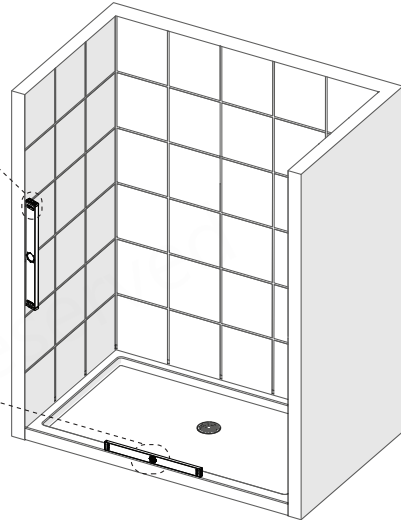
# Model Specific Preparation



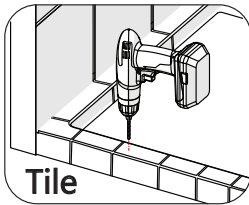
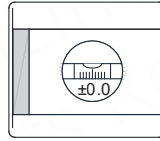
## REQUIRED:



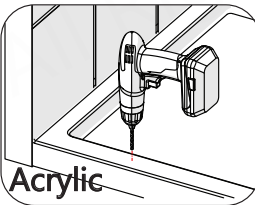
**1" (25.4mm) maximum out-of-plumb adjustment per side. Verify finished walls with a level.**



**Threshold must be level**



Tile

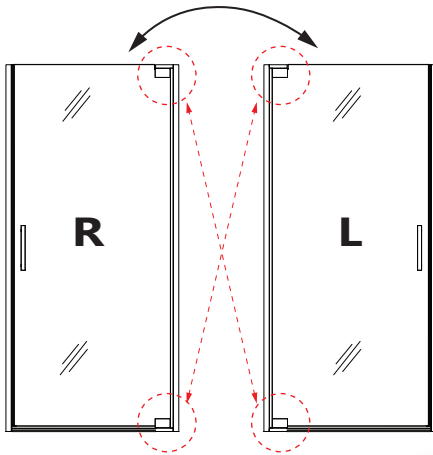
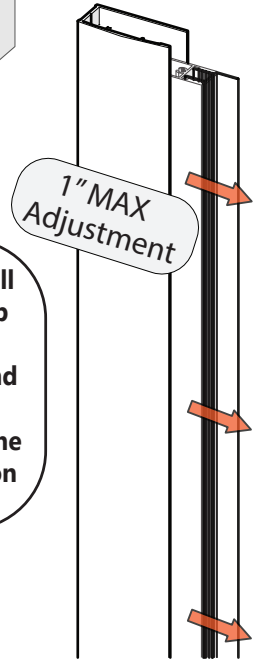


Acrylic

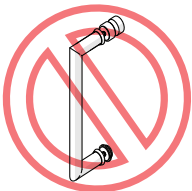


Contact the manufacturer of the base, tub or threshold material with any questions regarding the drilling of holes into their product.

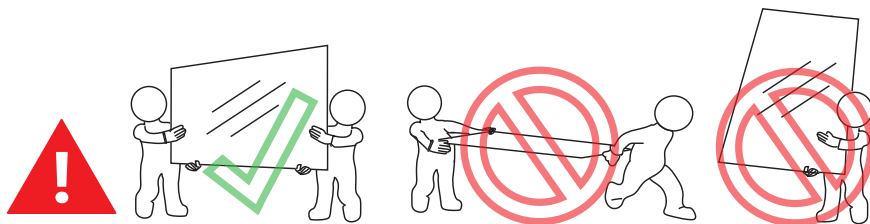
This model has an adjustable wall profile system that allows for up to 1" (25.4mm) per side for Out-of-Plumb wall conditions and overall width within the model size. For more information, see the Adjustable Wall Profile System on page 6.



This door is reversible for right or left-swing door installation. The left-swing door installation is shown as an example throughout this manual. For the right-swing door installation, simply begin on the opposite wall and reverse the orientation of the installation steps shown.



**DO NOT install the Handle onto the Door Glass until instructed. DO NOT attempt to lift the glass with the Handle.** This could result in damage to the glass and/or serious personal injury. Always use an assistant or a professional-grade glass suction cup when handling heavy glass.

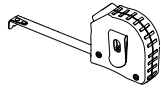


**Professional installation recommended. Two installers required.**

## Tools



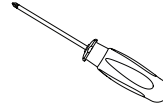
Level



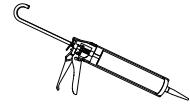
Tape Measure



Pencil



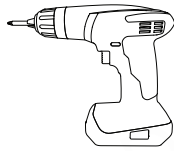
Phillips  
Screwdriver



Silicone



Screw Gun  
or Impact Driver



Power  
Drill



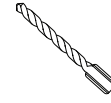
Drill Bit  
Ø1/8"  
(3mm)



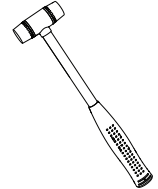
Drill Bit  
Ø3/16"  
(4mm)



Drill Bit  
Ø1/4"  
(6mm)



Drill Bit  
Ø5/16"  
(8mm)



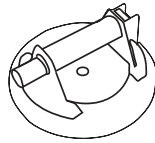
Soft Head  
Hammer



Painter's Tape



Razor Knife



Professional-grade  
Glass suction cup



Safety Glasses



Work Gloves



Verify that the correct model size has been ordered; measure the finished opening **before** proceeding with the installation.

Confirm that the finished walls are plumb and the threshold is level and pitched into the shower area.

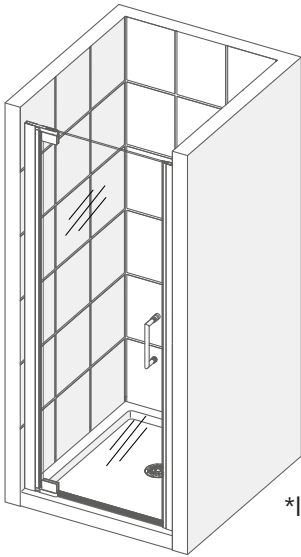
**Use a good quality waterproof, mildew-resistant 100% silicone caulk.**

Cover the shower/tub drain with tape prior to installation to prevent the loss of screws or small parts.



Unpack your unit carefully and inspect it. Lay it out and identify all parts using the **Detailed Diagram** on page 7; and packing list in this manual as a reference. Before discarding the carton, check for small hardware bags that may have fallen to the bottom of the box. If any parts are damaged or missing, please contact DreamLine® for replacement. The shipping boxes may contain extra parts not used in your model configuration. Retain these installation instructions for future reference.

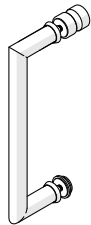
# Configurations



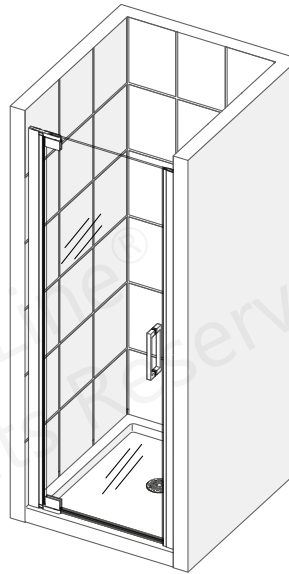
SHDR-4125720-##  
SHDR-4127720-##  
SHDR-4128720-##  
SHDR-4130720-##  
SHDR-4132720-##  
SHDR-4134720-##  
SHDR-4135720-##

\*left-swing door installation shown

**ELEGANCE**  
Single Door



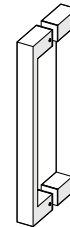
Single-sided handle



SHDR-4325000-##  
SHDR-4327000-##  
SHDR-4328000-##  
SHDR-4330000-##  
SHDR-4332000-##  
SHDR-4334000-##  
SHDR-4335000-##

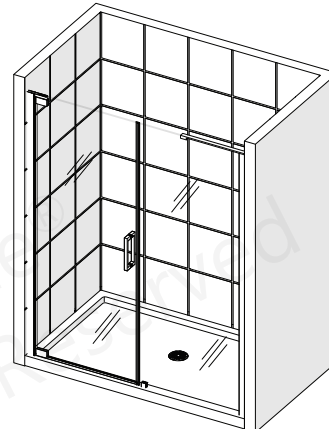
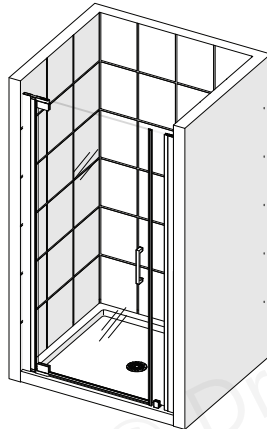
\*left-swing door installation shown

**ELEGANCE LS**  
Single Door



Double-sided handle

Elegance and Elegance-LS models are also available with inline panels in various widths. Panels 12" or larger include an L-Bar™. See all models at [DreamLine.com](http://DreamLine.com)



\*Left-Swing door installation shown



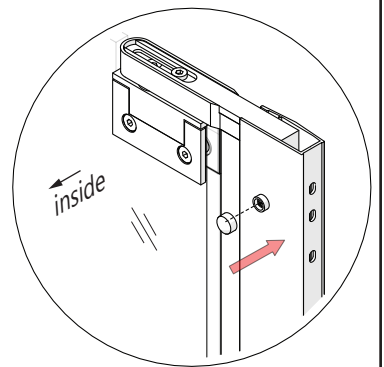
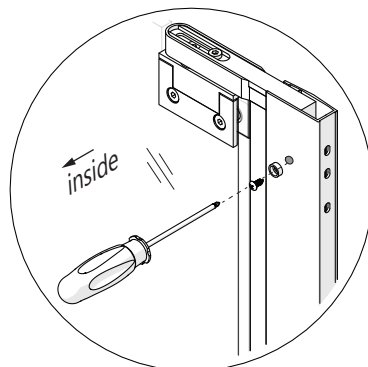
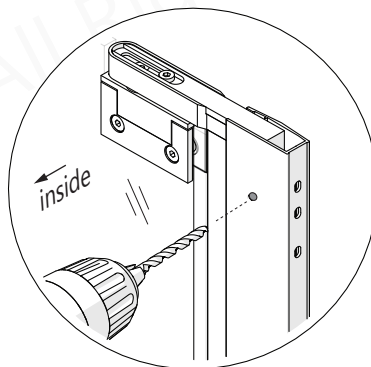
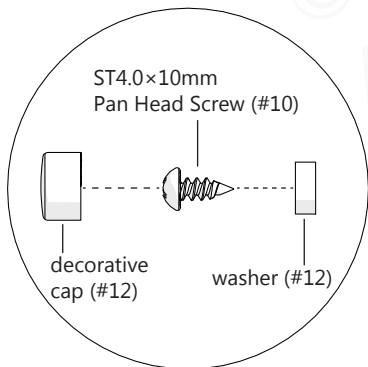
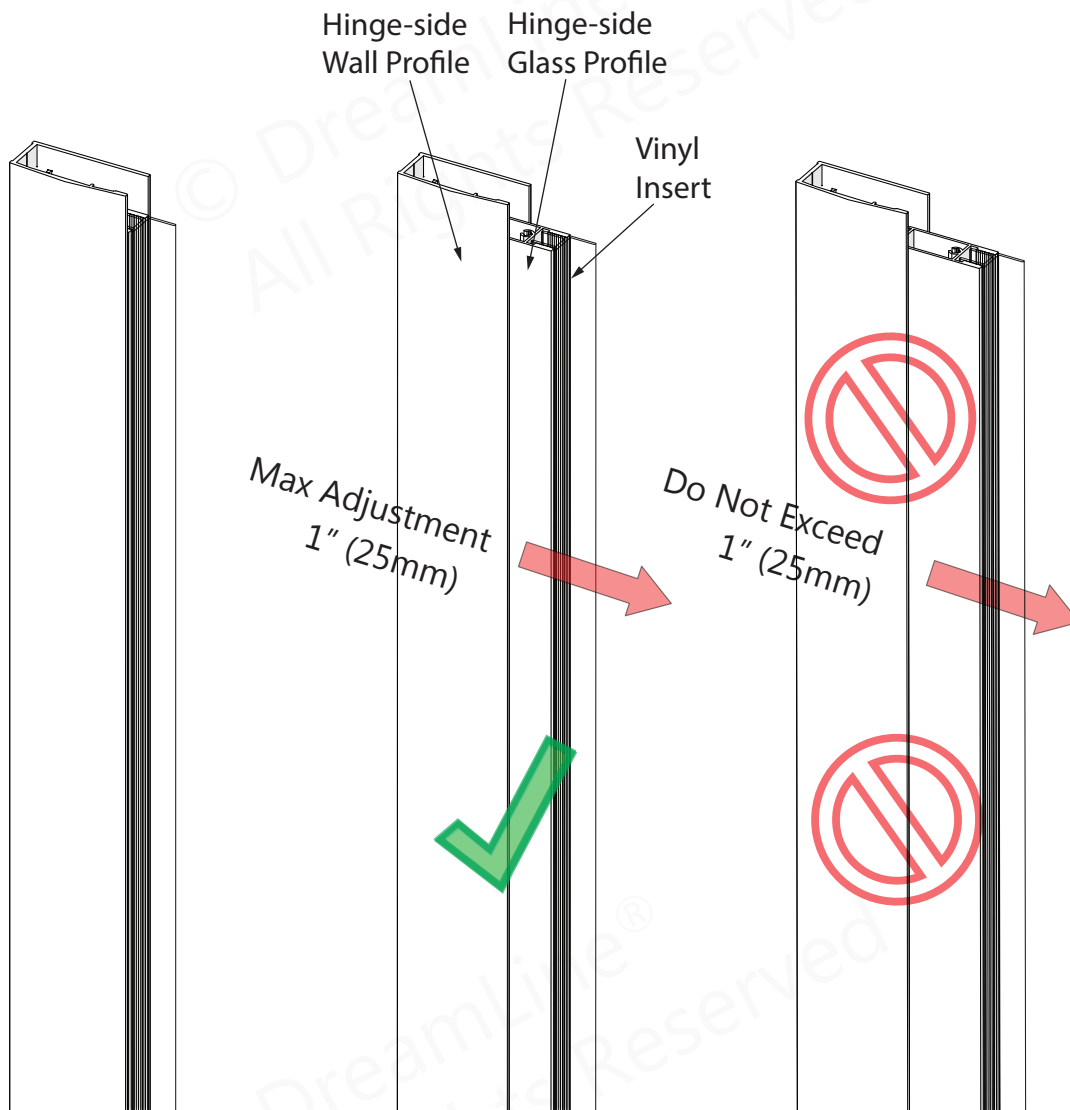
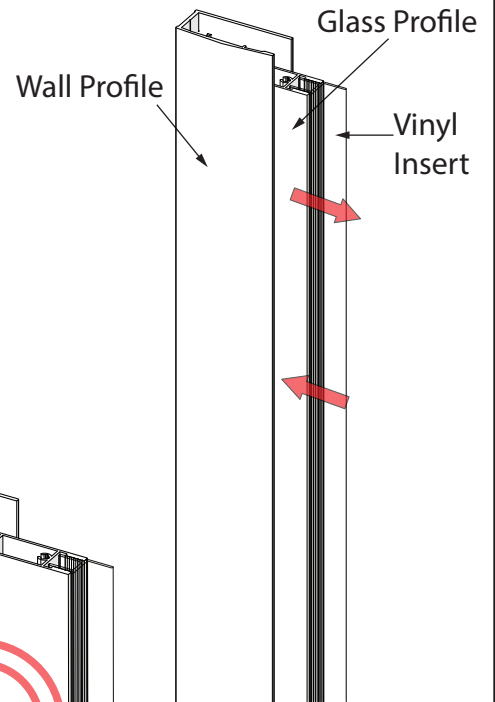
**This manual describes the single door installation of the ELEGANCE and ELEGANCE LS models.**

For models with additional inline panel glass, **use this manual first to install the door**, and then use the manual packaged with the panel glass to install the panel.

# Two-Part Adjustable Wall Profile System

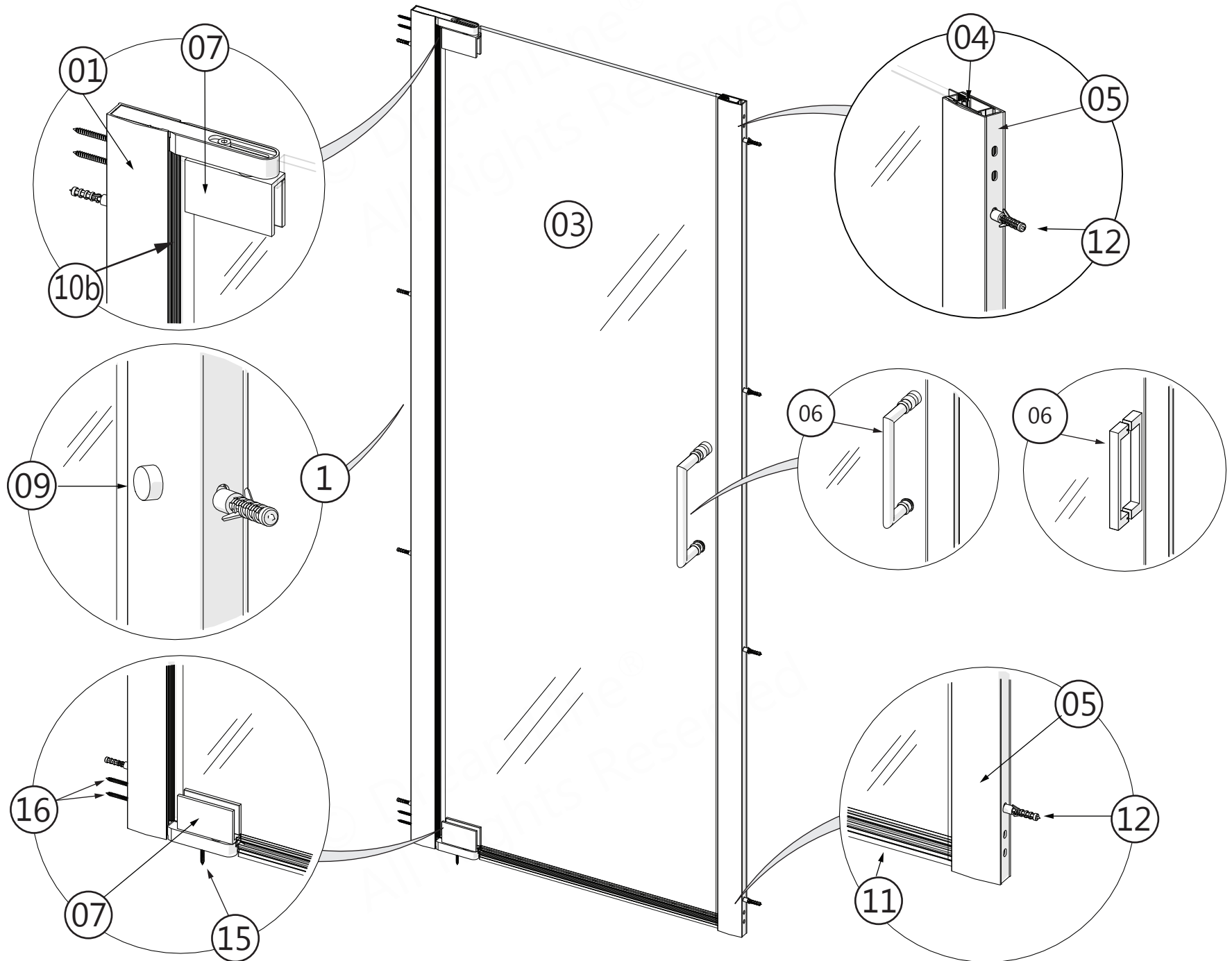


The Glass Profiles can be adjusted up to 1" within the Wall Profiles for overall width or to correct for out-of-plumb conditions within the model size. Screw them together only after making final adjustments.





# Detailed Diagram of Elegance Shower Door Components



# Parts List

01

Wall Profile  
Hinge Side (Shorter) **x1**

02

Glass Profile  
Hinge side (Shorter) **x1**

03

Door Glass **x1**

04

Glass Profile  
Strike side (Longer) **x1**

05

Wall Profile  
Strike Side (Longer) **x1**

06 \*handle styles may vary by model

OR

Elegance -LS

Handle **x1**

07

Pivot Assembly-  
Top and Bottom **x2**

08

Pivot Retainer **x2**

09

Decorative Cover  
and washer **x2**

10

10a  
72"

10b  
70-5/8"

Bumper Seals **x2**

11

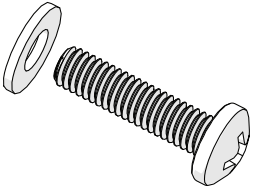
Bottom Sweep **x1**

12

Wall Anchor **x12**

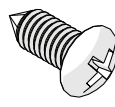
# Parts List

**13**



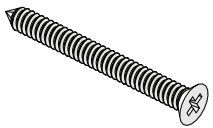
M4 x 16 Bolt with Washer **x4**

**14**



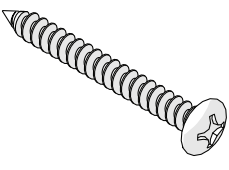
ST4.2x10 Pan Head Screw **x8**

**15**



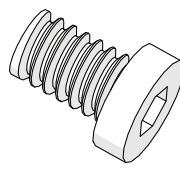
ST4.2x25 Flat Head Screw **x2**

**16**



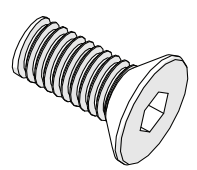
ST4.2 x 40mm Truss Head Screw **x13**

**17**



M6x12mm Round Head Socket Bolt **x1**

**18**

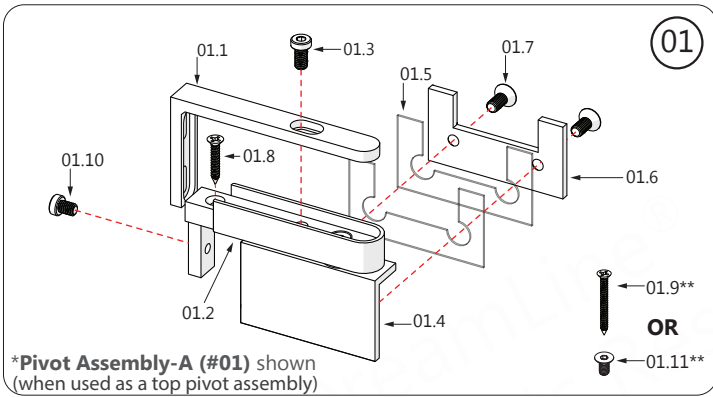


M6x12mm Countersunk Hex Head Screw **x1**

**!** It is not necessary to fully disassemble the Pivot Assemblies for installation.

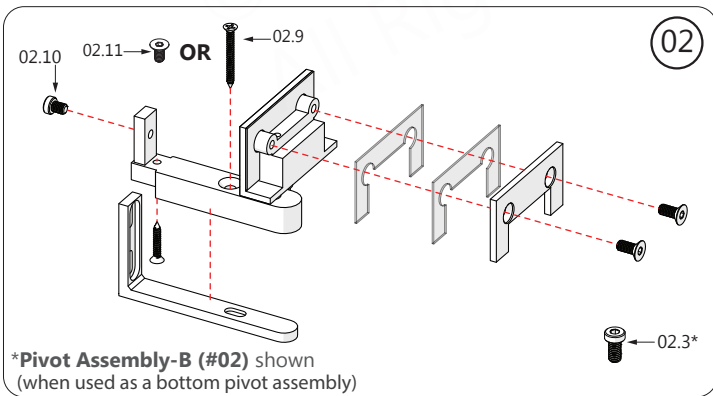
**!** The Pivot Assemblies are paired and either one can be used as the top or bottom pivot depending on the handing of the door installation. See note\* below.

### Parts per Pivot Assembly-A



Pivot Assembly A		
ITEM #	ITEM DESCRIPTION	QTY
01.1	Pivot Retainer	1 pc
01.2	Pivot Bracket	1 pc
01.3*	M6 x 12 Socket Head Hex Screw	1 pc
01.4	Pivot Body	1 set
01.5	Clear Gasket	2 pcs
01.6	Back Plate	1 pc
01.7	M6 x 14 Countersunk Hex Screw	2 pcs
01.8	ST4.2x25mm Countersunk Screw	1pc
01.9	ST4.2 x 40 Countersunk Screw	1 pc
01.10**	M6x12 Hex Socket Head Cap Screw	1 pc
01.11**	M6x12 Countersunk Hex Head Screw	1 pc

### Parts per Pivot Assembly-B



**NOTE**

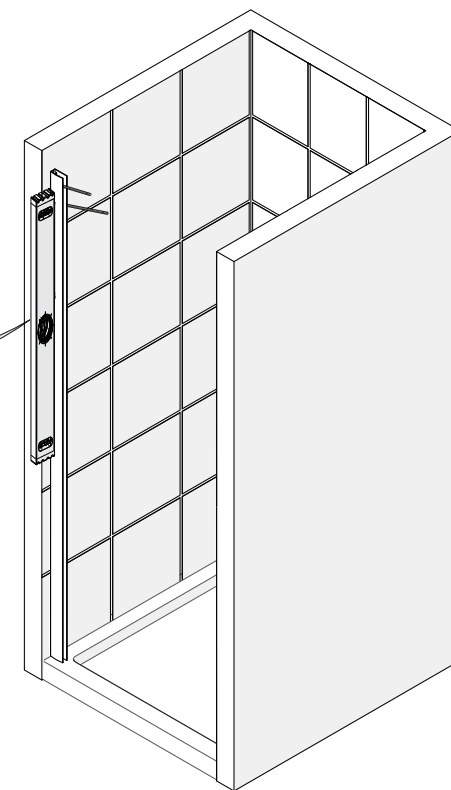
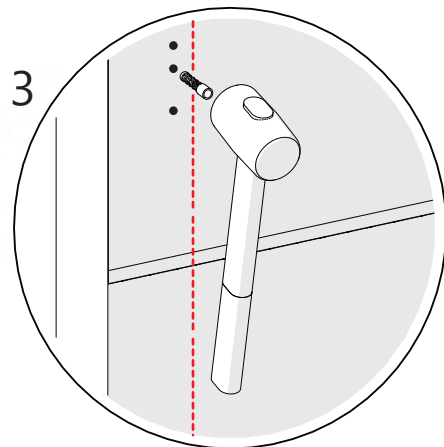
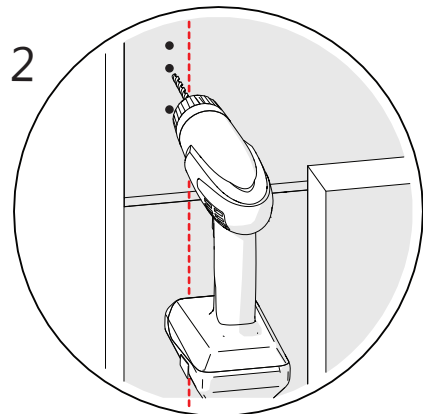
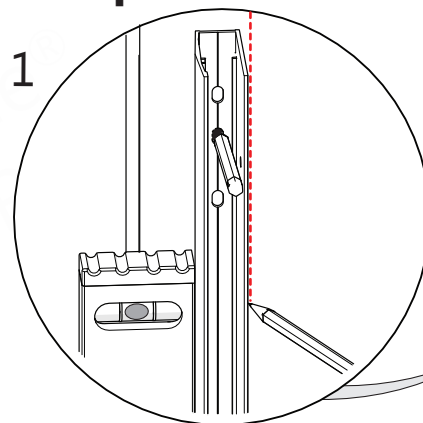
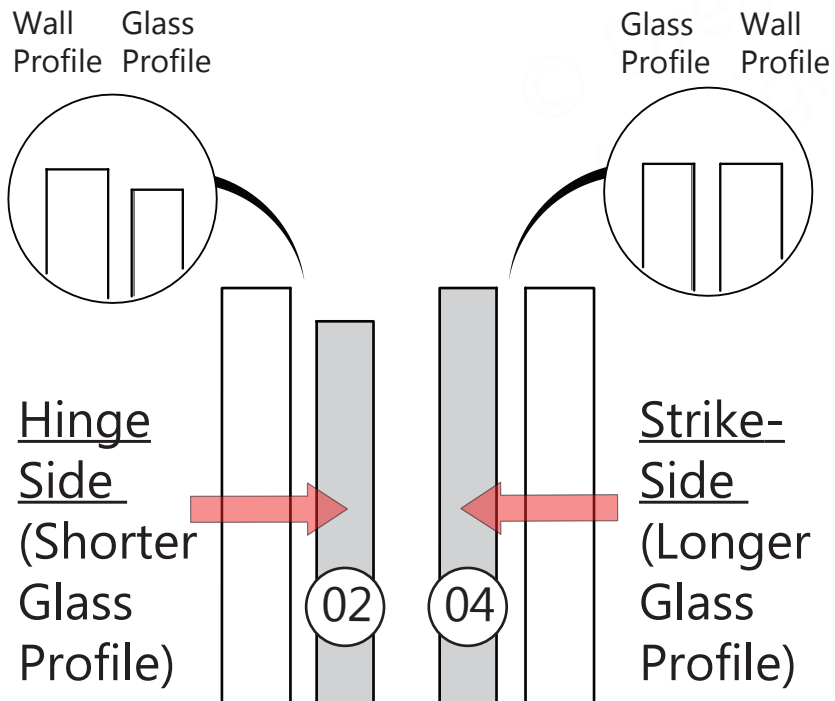
- \*When used as a top pivot assembly: use screw / item #01.3/02.3
- \*\*When used as a bottom pivot assembly: use either screw / item #01.10/02.10 or #01.11/02.11

Pivot Assembly B		
ITEM #	ITEM DESCRIPTION	QTY
02.1	Pivot Retainer	1 pc
02.2	Pivot Bracket	1 pc
02.3*	M6 x 12 Socket Head Hex Screw	1 pc
02.4	Pivot Body	1 set
02.5	Clear Gasket	2 pcs
02.6	Back Plate	1 pc
02.7	M6 x 14 Countersunk Hex Screw	2 pcs
02.8	ST4.2x25mm Countersunk Screw	1pc
02.9	ST4.2 x 40 Countersunk Screw	1 pc
02.10**	M6x12 Hex Socket Head Cap Screw	1 pc
02.11**	M6x12 Countersunk Hex Head Screw	1 pc

# Installation Steps

1

## Glass Profile Height Difference

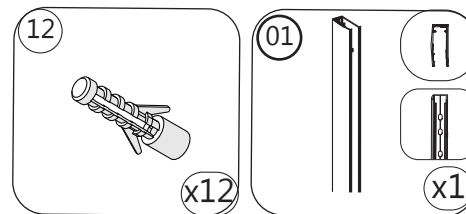


Left-handed installation shown

**NOTE**

- **If a stud is present behind the wall:** drill a  $\text{Ø}3/16''$  (4mm) hole up to the stud, drill an  $\text{Ø}1/8''$  (3mm) pilot hole and use the **Large Truss Head Screw ST4.2 x 40 (#16)**
- OR
- **If no stud is present behind the wall:** drill a  $\text{Ø}5/16''$  (7mm) hole and insert the **Wall Anchors (#12)** and use the **Large Truss Head Screw ST4.2 x 40 (#16)**

### Parts Needed

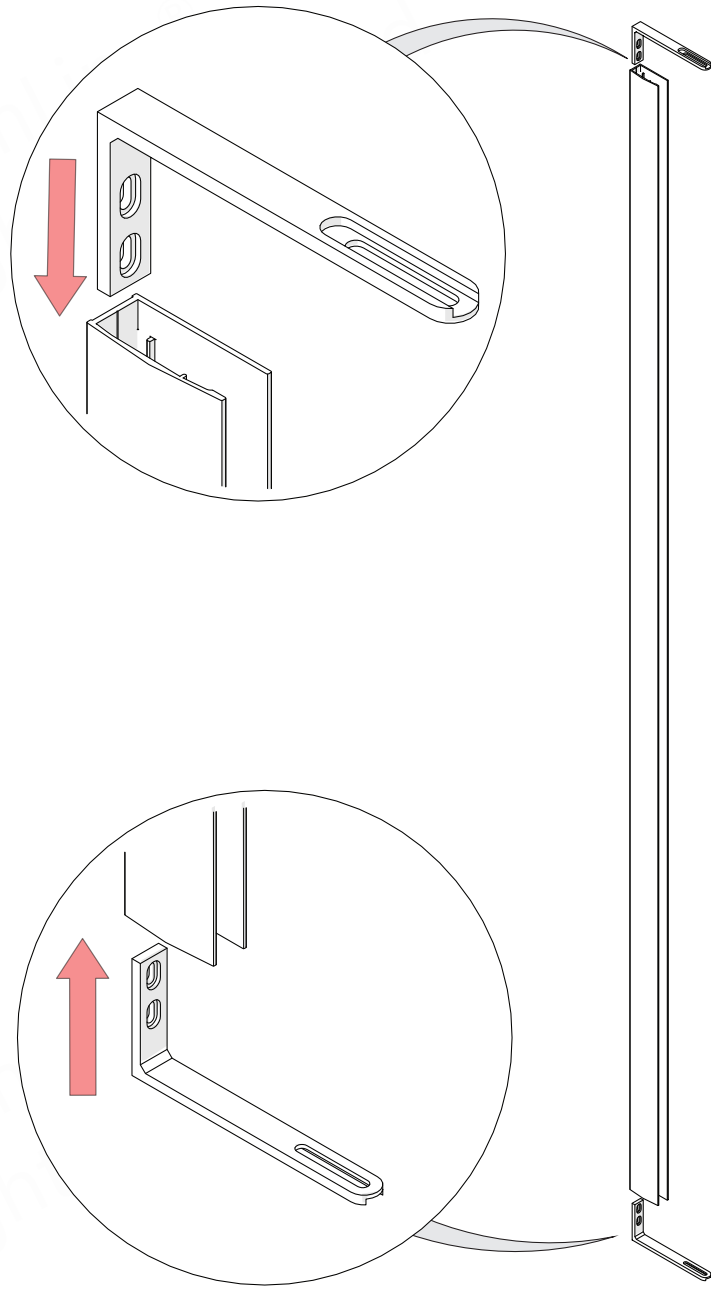
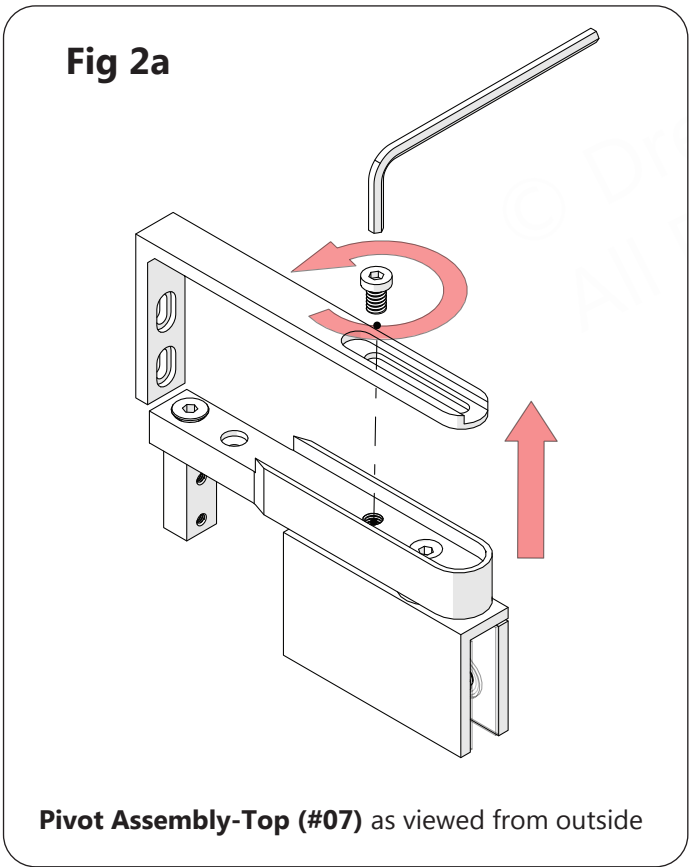


### Tools Needed

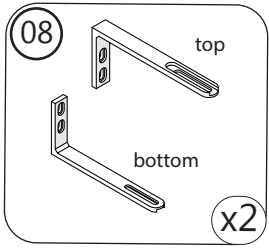
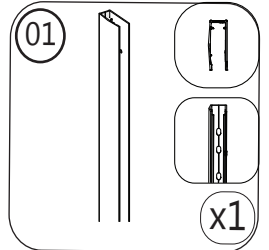


Fig 1

2



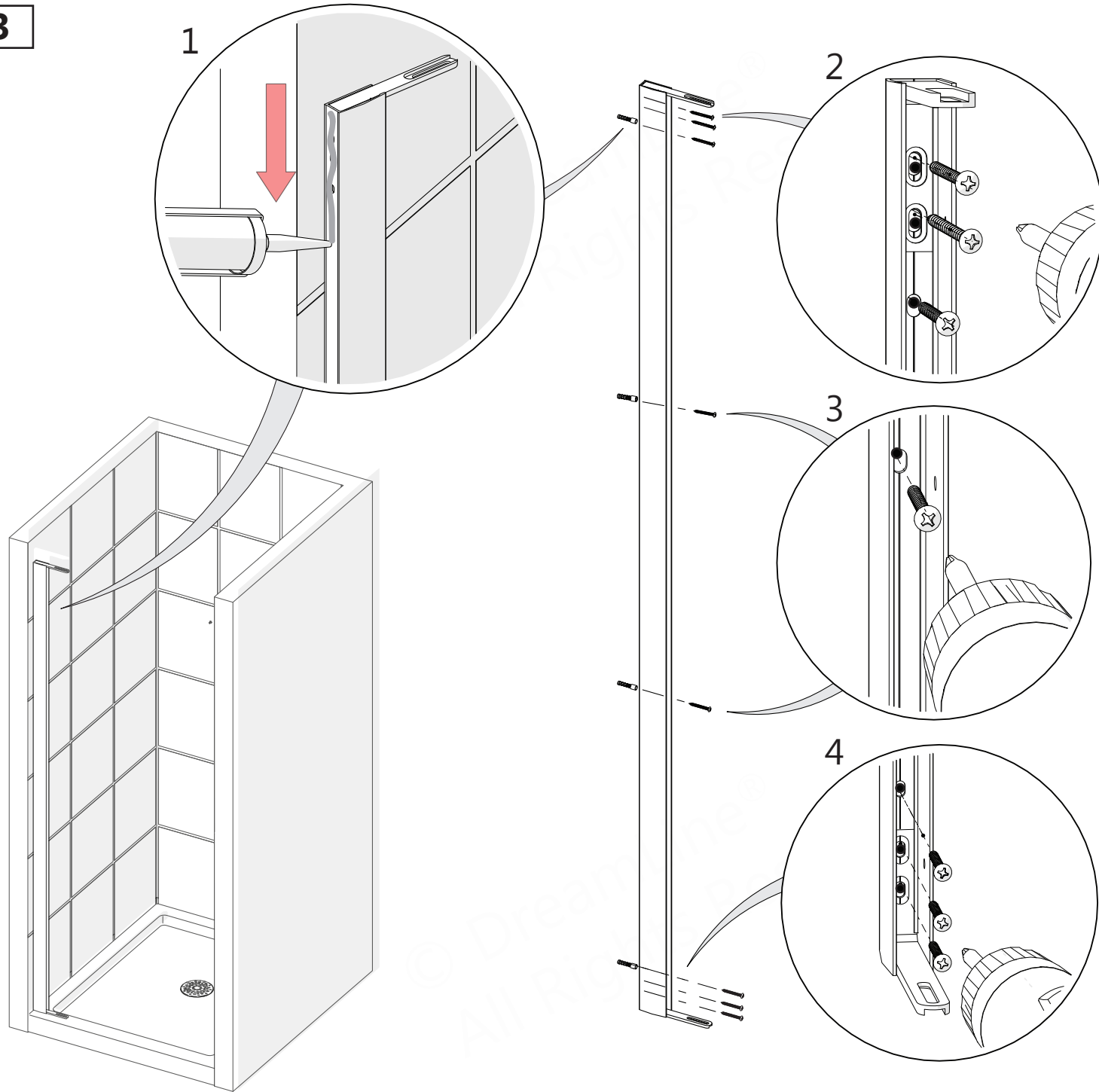
**Parts Needed**



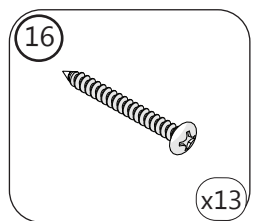
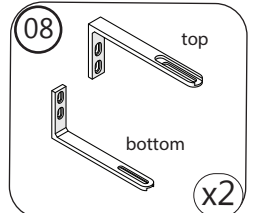
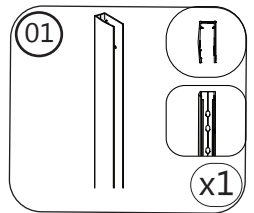
**Tools Needed**



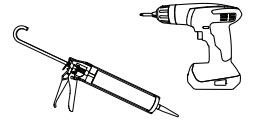
**3**



**Parts Needed**

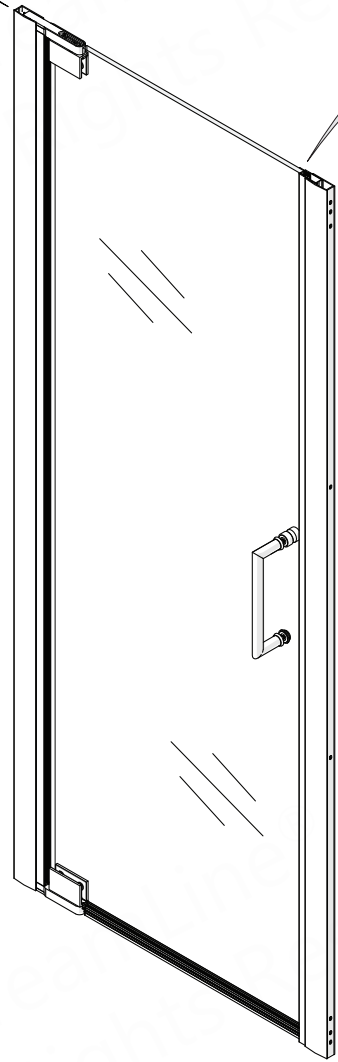
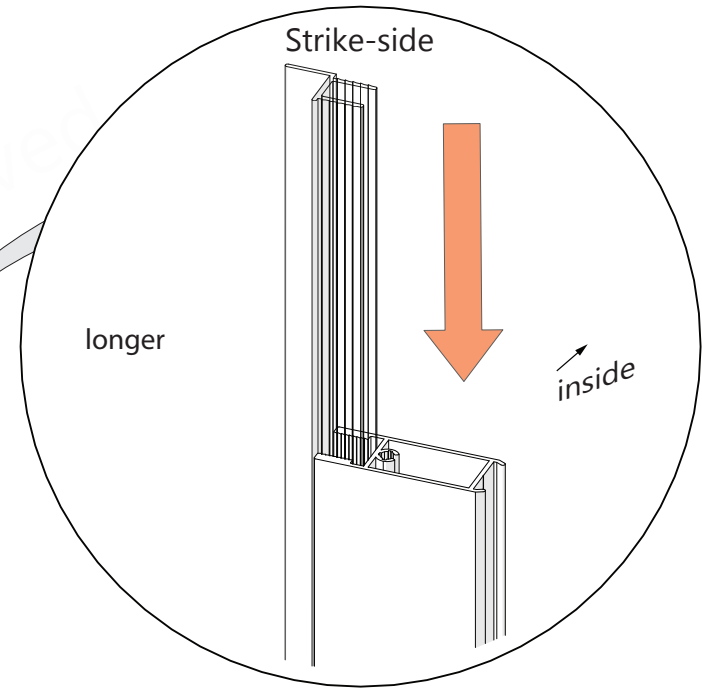
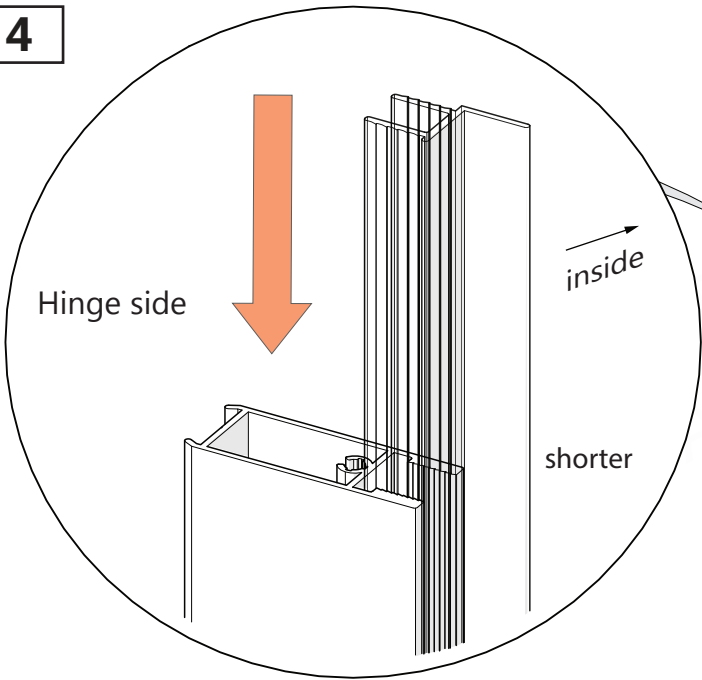


**Tools Needed**



**Fig 3**

4



**NOTE**

Slide the shorter **Bumper Seal 70-5/8" (#10b)** into the shorter **Glass Profile Hinge Side (shorter) (#02)**, the Glass Profile used for the hinge side of the shower door.

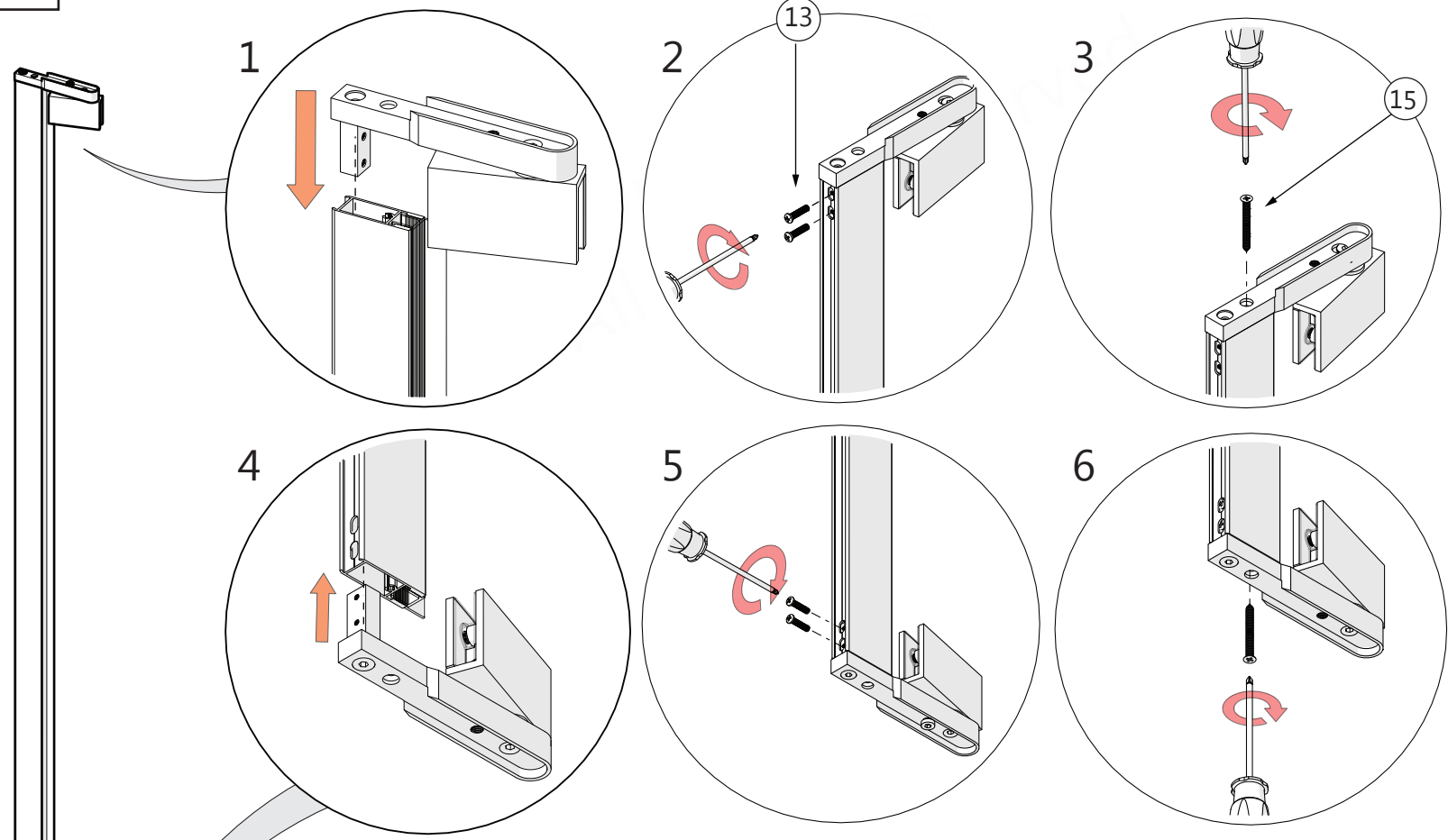
**NOTE**

Slide the longer **Bumper Seal 72" (#10a)** into the longer **Glass Profile (Strike Side) (longer) (#04)**, the Glass Profile used for the strike side of the shower door.

**Fig 4**

left-swing door installation shown

**5**



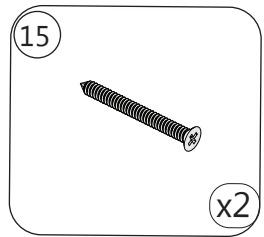
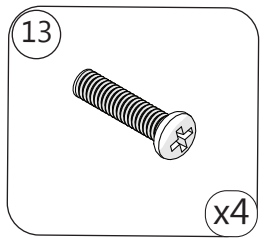
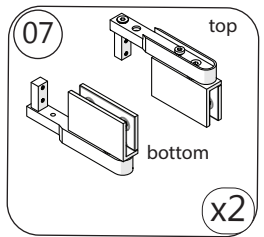
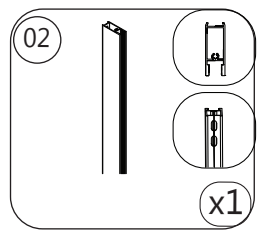
\*left-swing door installation shown

**NOTE** The **Glass Profile Hinge Side (#02)** is the shorter of the two Glass Profiles.

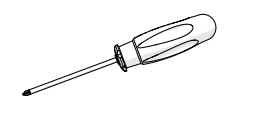
**NOTE**

**Fig 5**  
Attach the Pivot Assemblies (#07) to the **Glass Profile Hinge Side (Shorter) (#02)** as shown in **Fig 5**. The back of the **Pivot Assembly** and the bolts **face the inside** of the shower.

**Parts Needed**



**Tools Needed**

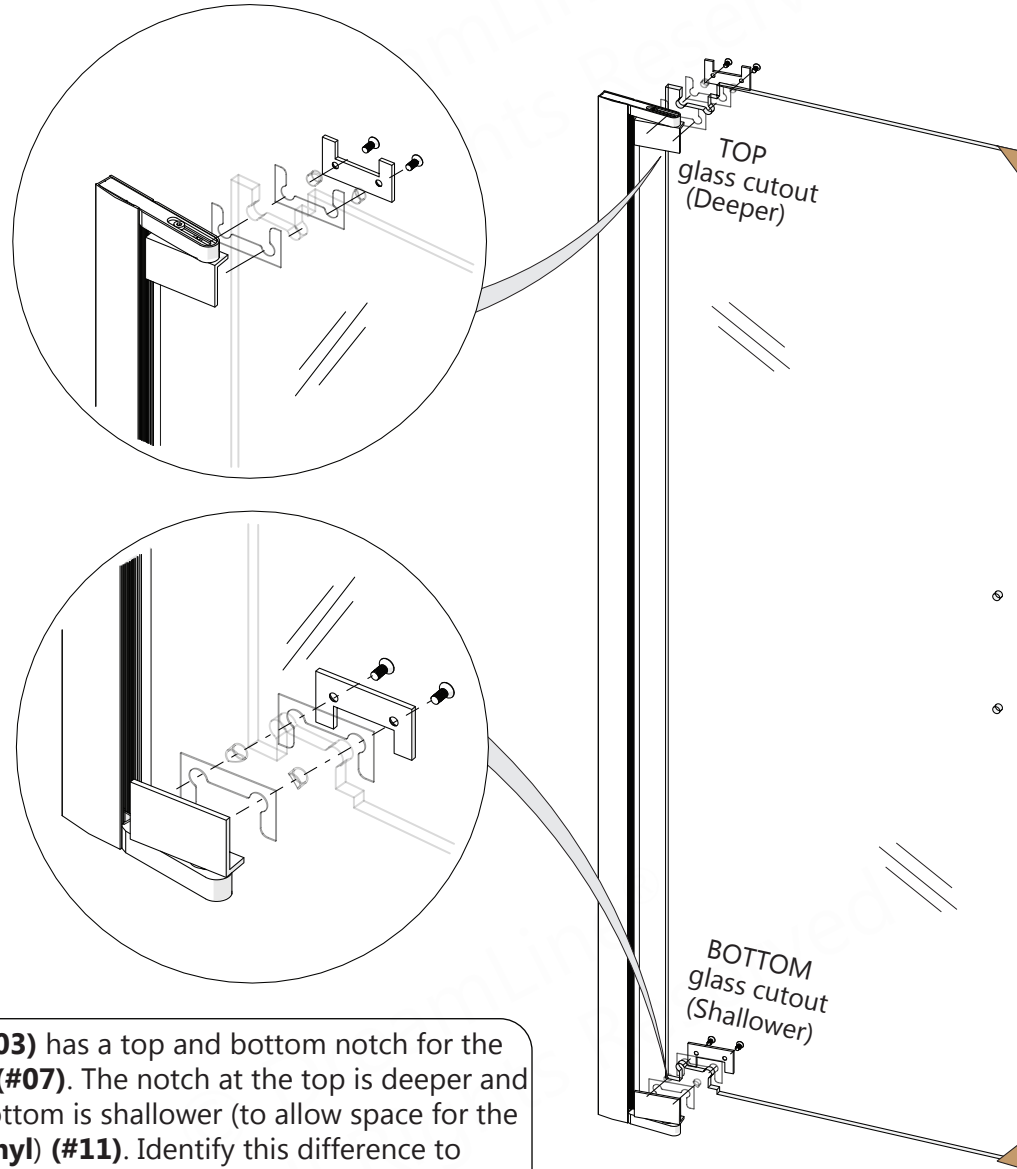




6

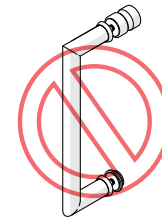
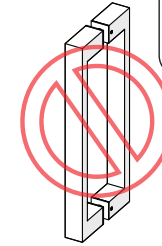


Protect the edges of the door glass from making contact with the walls and threshold during installation and adjustment.

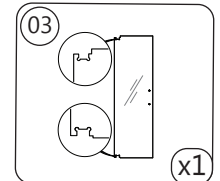
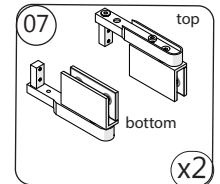


Leave the corner protectors on the glass until it is necessary to remove them.

Do Not install the handle yet.



**Parts Needed**



**Tools Needed**



The **Door Glass (#03)** has a top and bottom notch for the **Pivot Assemblies (#07)**. The notch at the top is deeper and the notch at the bottom is shallower (to allow space for the **Bottom Sweep Vinyl (#11)**). Identify this difference to prevent installing the Door Glass upside-down.



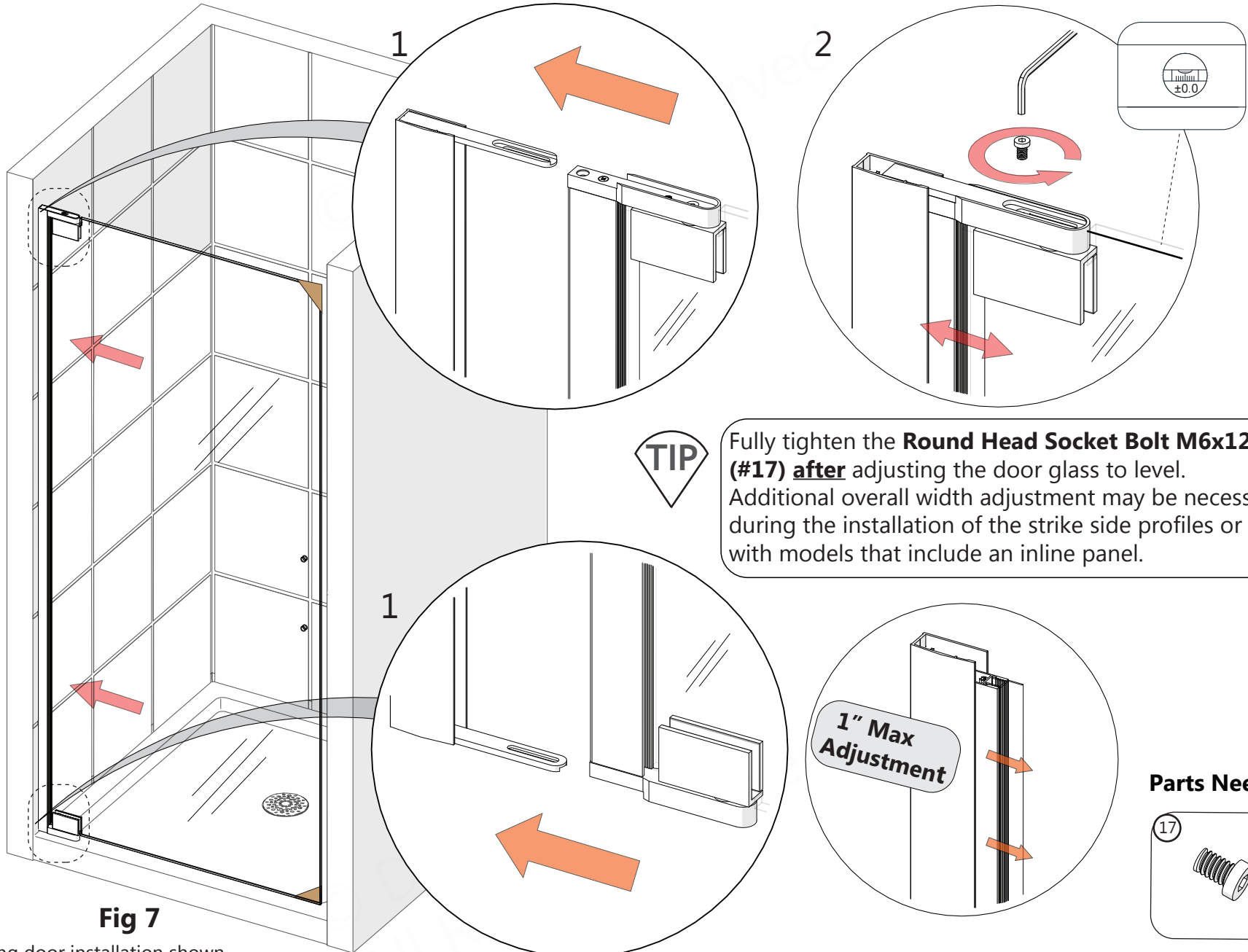
Use caution when handling the **Door Glass (#03)**. **DO NOT** lift the Door Glass with the **Handle (#06)**.



**Fig 6**

left-swing door installation shown

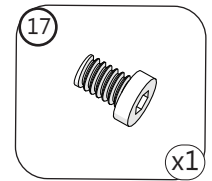
7



Fully tighten the **Round Head Socket Bolt M6x12 (#17)** after adjusting the door glass to level. Additional overall width adjustment may be necessary during the installation of the strike side profiles or with models that include an inline panel.

1" Max Adjustment

Parts Needed



Tools Needed



Fig 7

left-swing door installation shown



Each two-piece wall profile system (consisting of the **Glass Profiles (#02/04)** and **Wall Profiles (#01/05)**) will allow for 1" of adjustment for overall width or an out-of-plumb condition within the model size.

8

# Handle Assembly Installation: Elegance

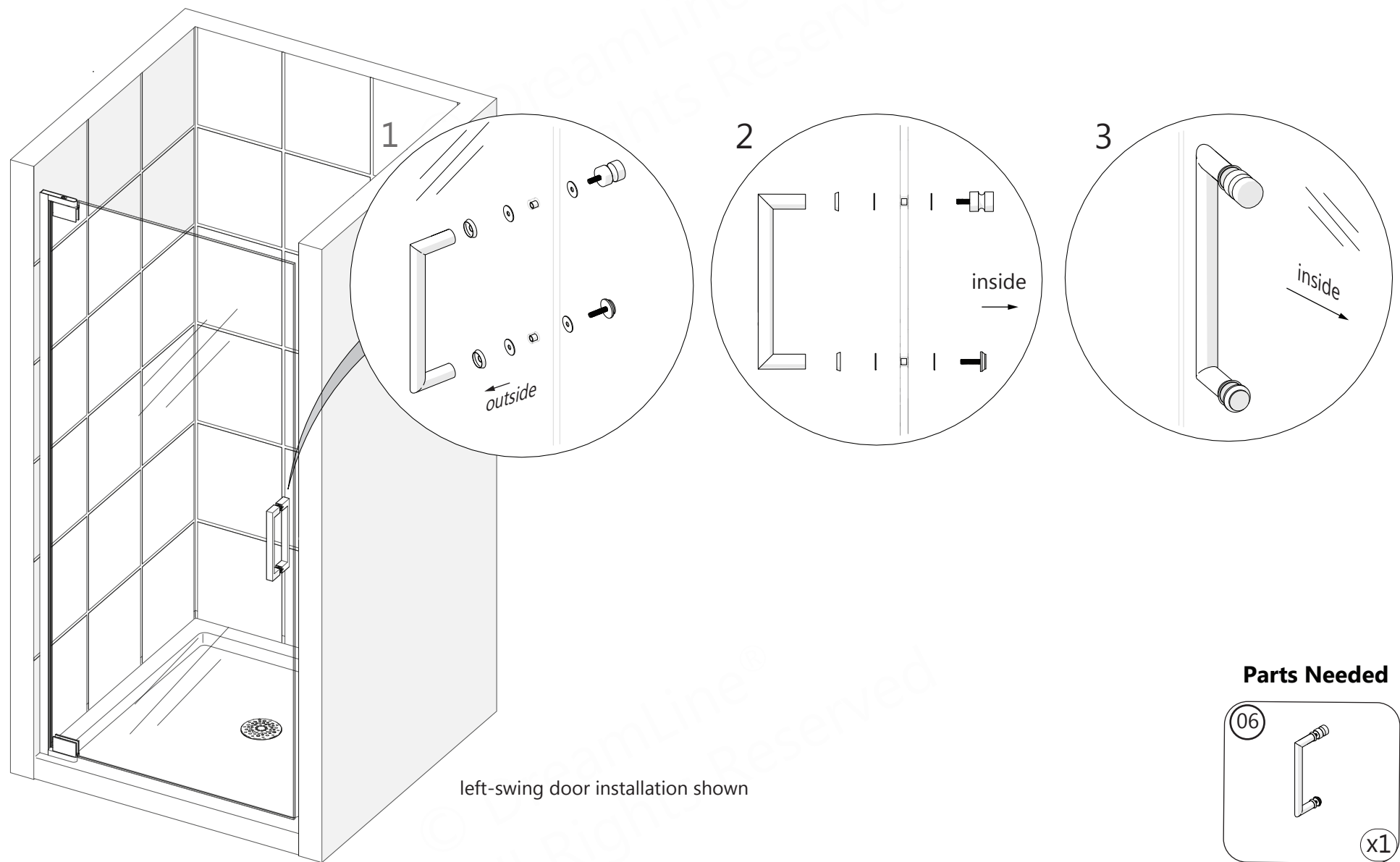
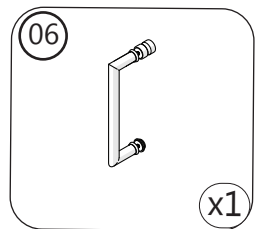


Fig 8



Tighten both knobs to the **Handle (#06)** to ensure the handle is secured to the **Door Glass (#03)**. (see Fig 7.3)

### Parts Needed

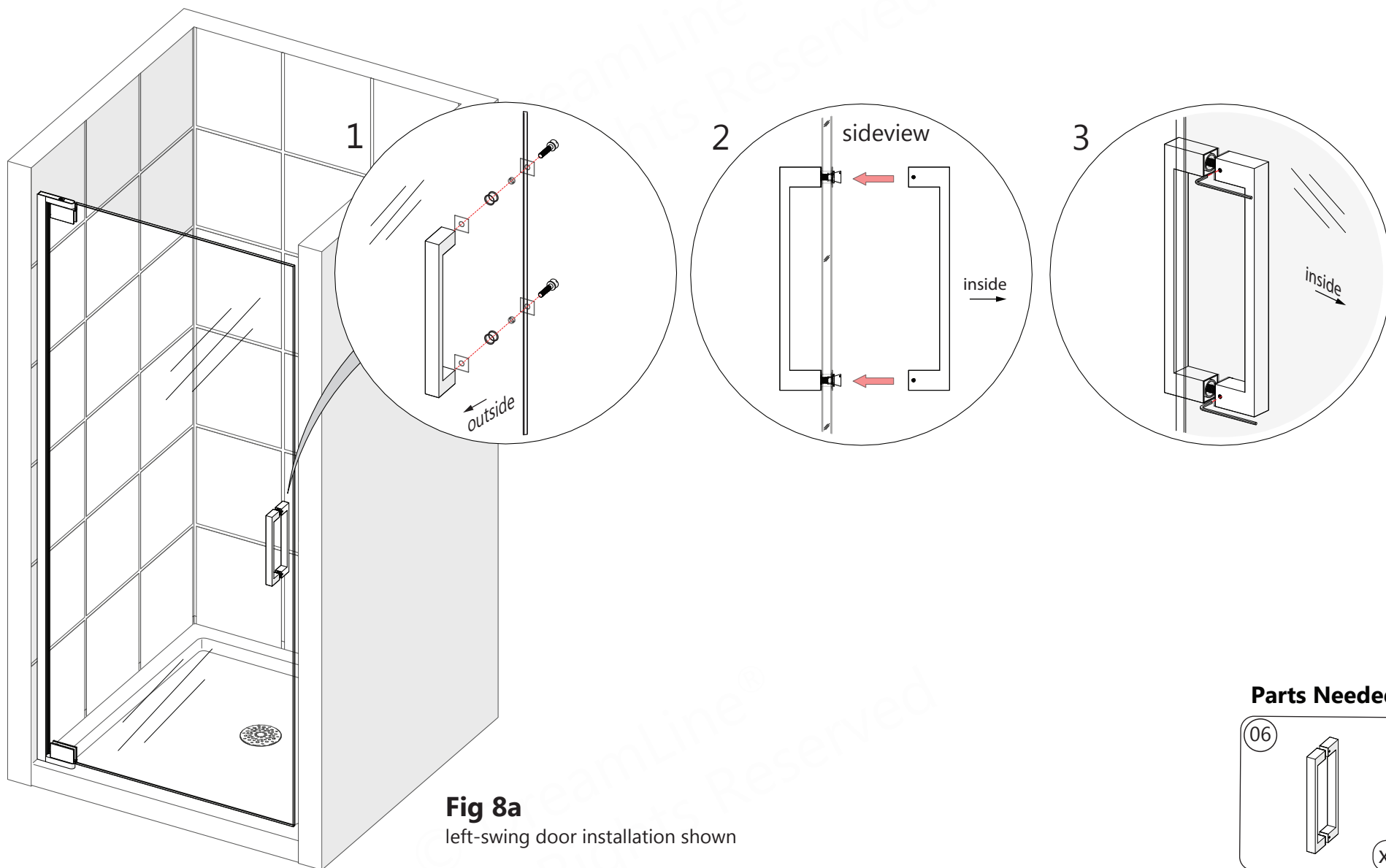


### Tools Needed



8a

# Handle Assembly Installation: Elegance-LS

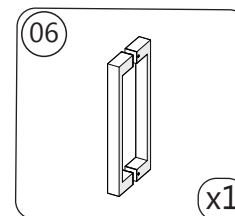


**Fig 8a**  
left-swing door installation shown



Tighten all four **Handle (#06 LS)** set screws to ensure the handle is secured to the **Door Glass (#03)**. (see Fig 7.3)

### Parts Needed



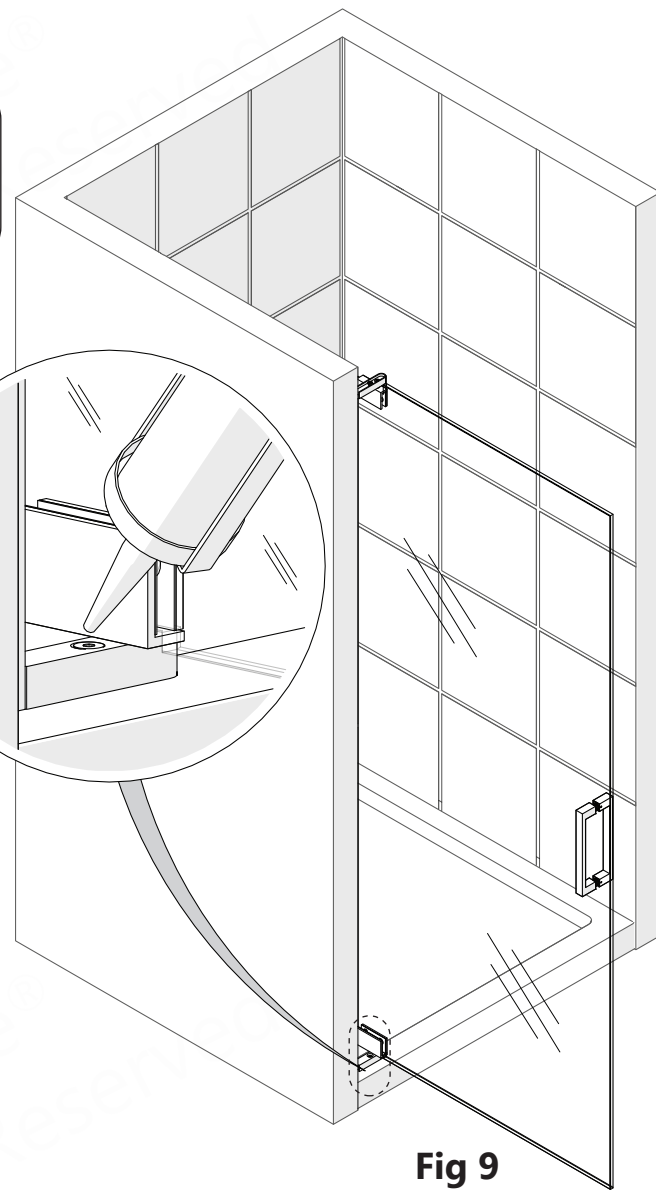
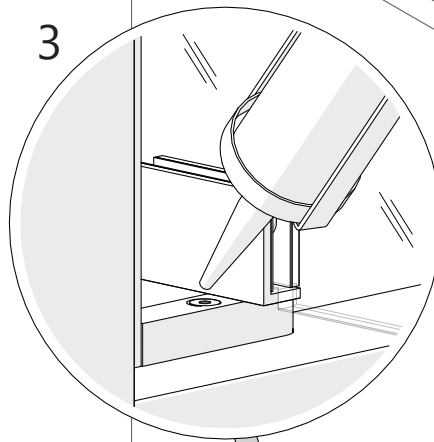
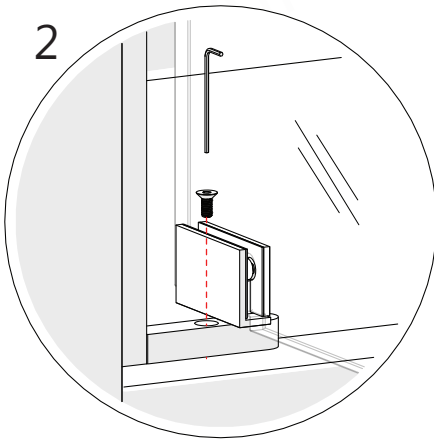
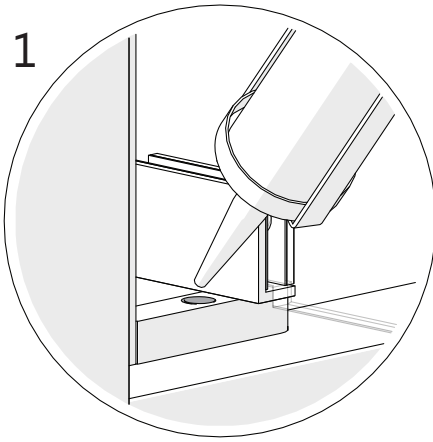
### Tools Needed



9

**NOTE**

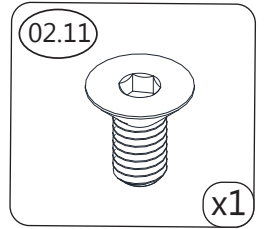
Sealing the hole in the bottom **Pivot Assembly (#7)** is important to prevent water leakage. Screwing the bottom **Pivot Assembly (#7)** to the threshold is optional. (See page 27 for details)



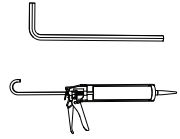
**Fig 9**

left-swing door installation shown

**Parts Needed**



**Tools Needed**



**\*Any width and/or out-of-plumb adjustments using the adjustable wall profile system must be made prior to screwing the Pivot Assembly (#07) down into the threshold. See Page 27 for specific instructions.**



**When installing the door along with an inline panel model, postpone this step until after aligning the panel glass.**

10

# Strike Profile Installation



If installing this door along with an inline panel, stop here and refer to the manual that came with the panel glass for further installation instructions. Otherwise, for a single door, continue with Step 10 below.

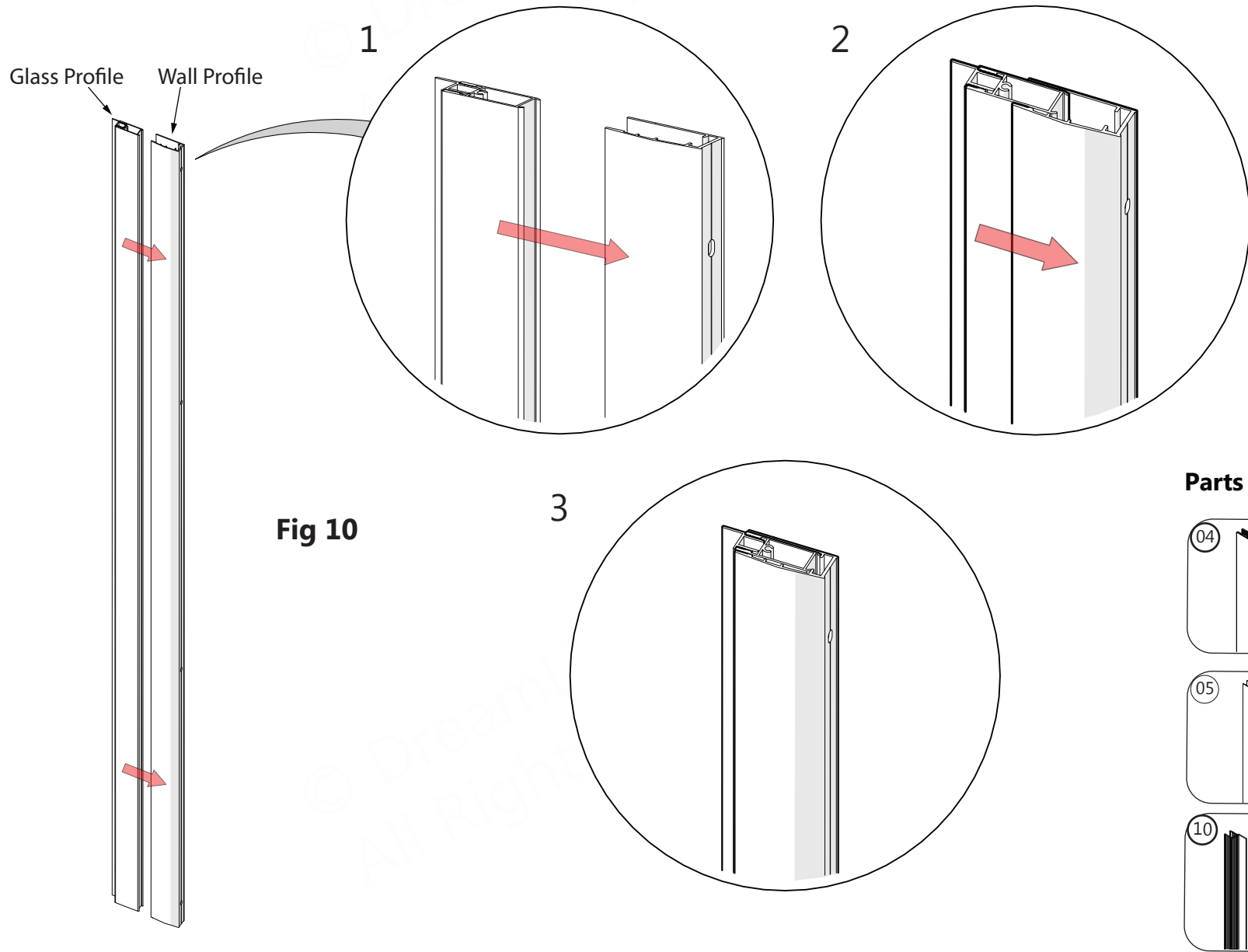






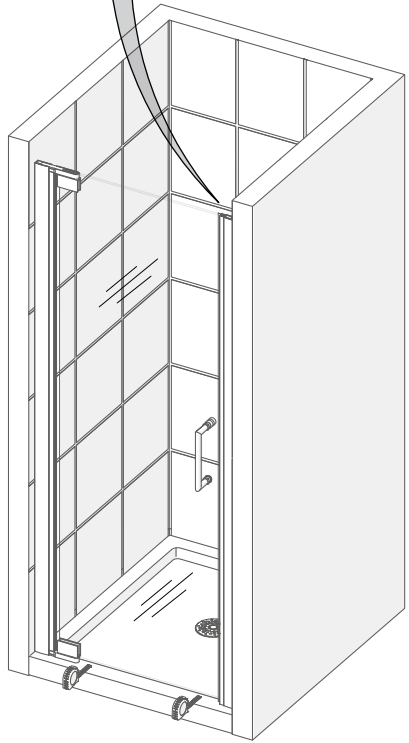
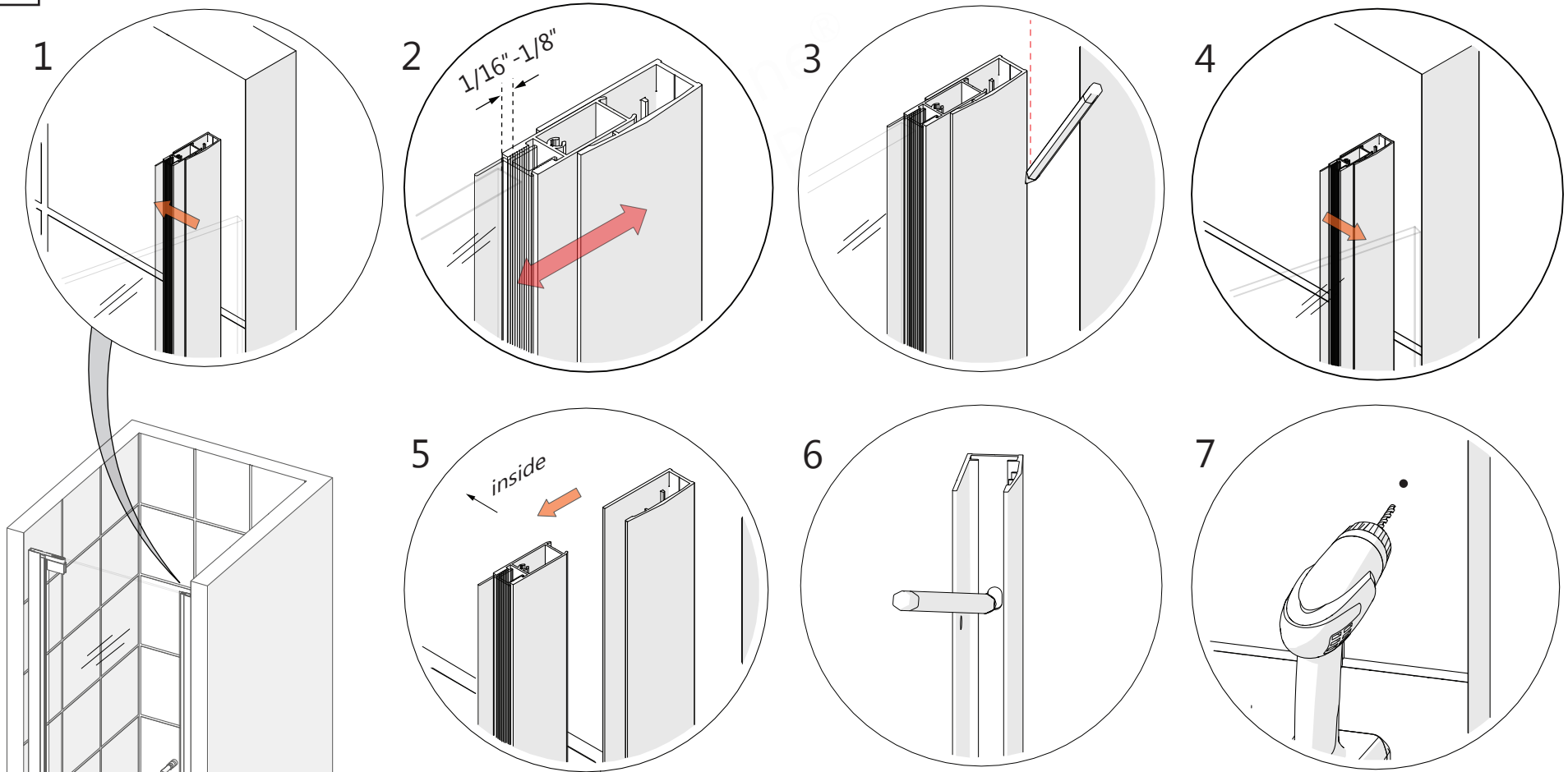


Fig 10

### Parts Needed

- 04   x1
- 05   x1
- 10   x2

**11**



**Fig 11**

left-swing door installation shown

**NOTE**

Align the **Strike Profile (#05)** to the **Door Glass (#03)**. Create 1/16" to 1/8" space between the edge of the door glass and the strike vinyl by adjusting the glass profiles. Make sure the door glass makes full contact with the strike vinyl when the door is fully closed. **(Fig 11.1)**

**NOTE**

▪ **If a stud is present behind the wall:** drill a  $\text{Ø}3/16"$  (4mm) hole up to the stud, drill an  $\text{Ø}1/8"$  (3mm) pilot hole and use the **ST4.0 x 40mm Pan Head Screws (#08)**  
**OR**  
 ▪ **If no stud is present behind the wall:** drill a  $\text{Ø}5/16"$  (7mm) hole and insert the **Wall Anchors (#10)** and use the **ST4.0 x 40mm Pan Head Screws (#08)**.

**Tools Needed**



12

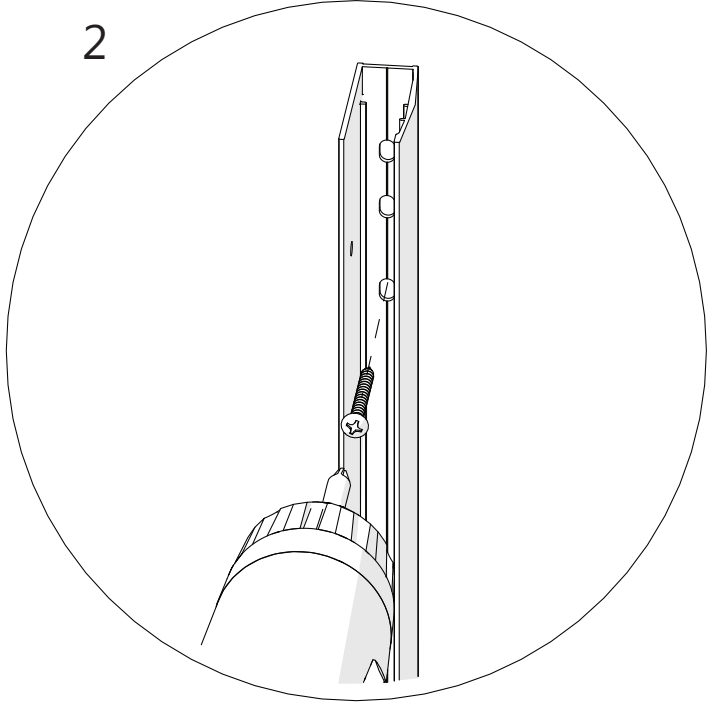
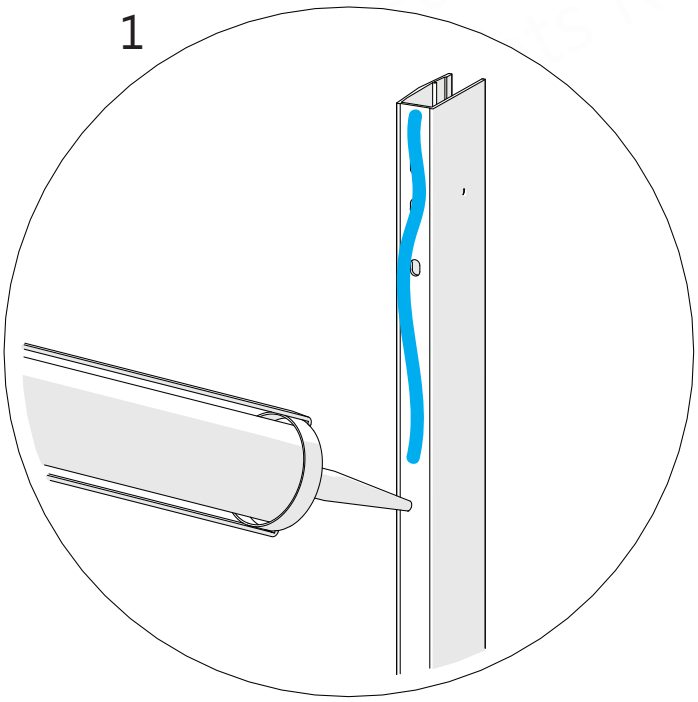
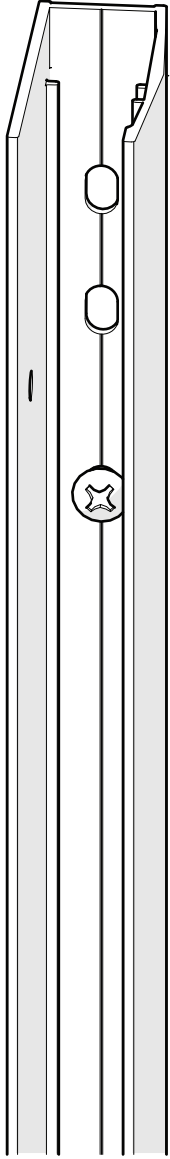
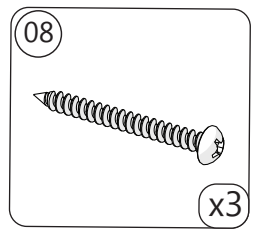
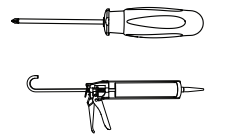


Fig 12

Parts Needed

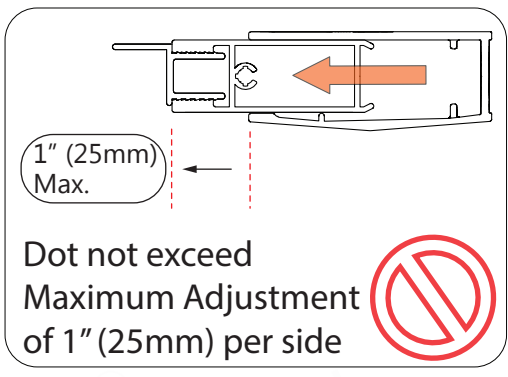
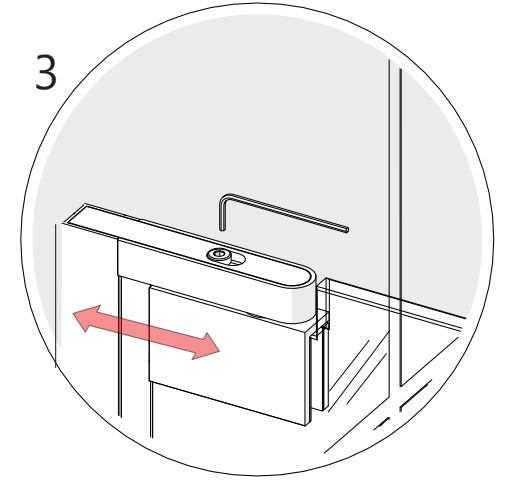
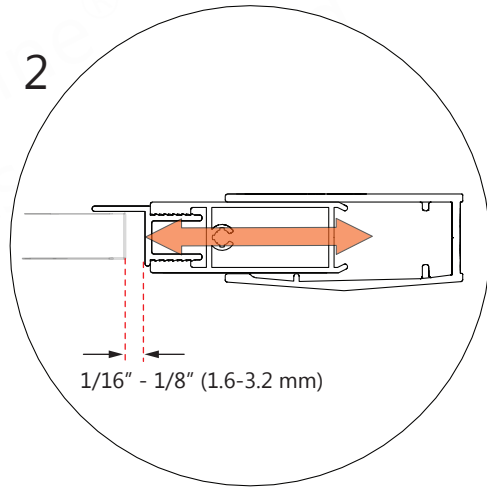
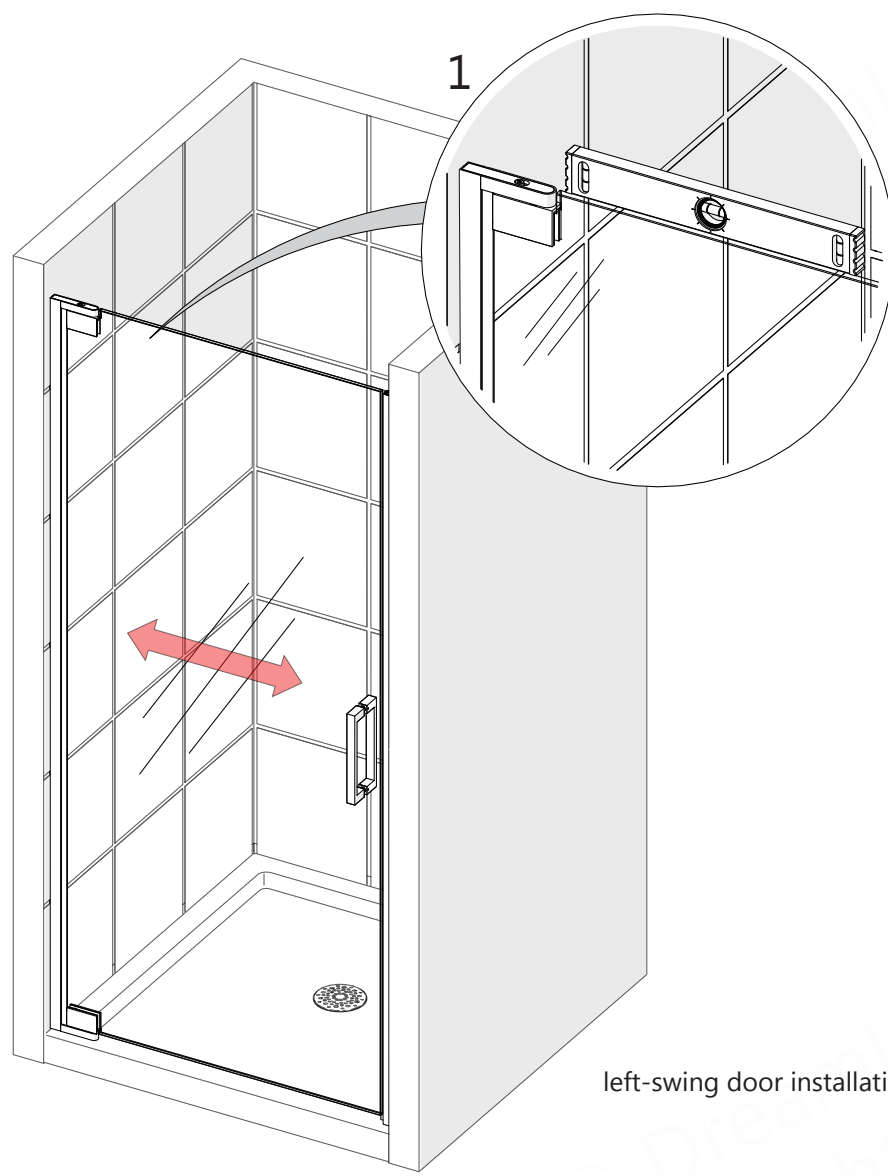


Tools Needed





13



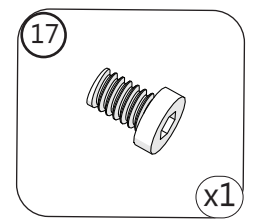
left-swing door installation shown

Fig 13

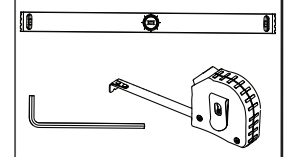


Use caution not to damage the edges of the door glass during adjustments.

Parts Needed



Tools Needed



14

# Decorative Cover Installation

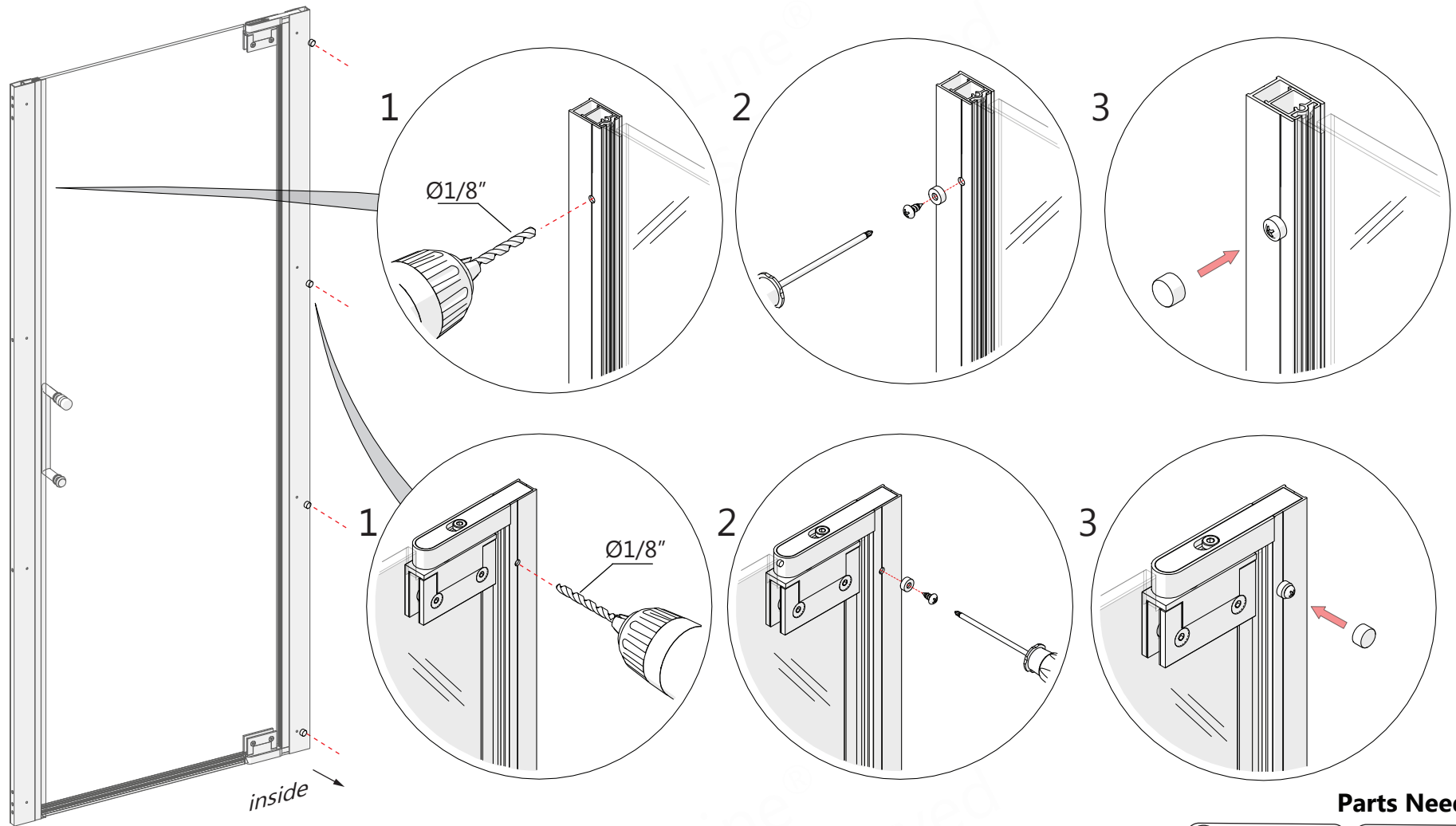


Fig 14



When installing this door along with an inline panel, postpone this step until overall width adjustments have been made.

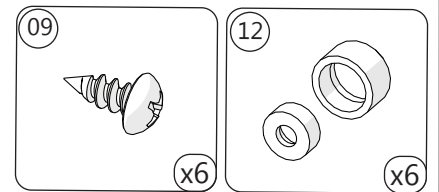


Only drill through the first layer of the **Glass Profiles (#02/04)** using an **Ø1/8"** drill bit.

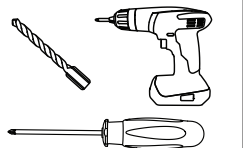


Turn to **Page 27** for instructions to screw the bottom **Pivot Assembly (#7)** to the threshold if desired. Otherwise, continue on to the next step.

### Parts Needed



### Tools Needed



left-swing door installation shown from the inside

15

# Bottom Sweep Vinyl Installation

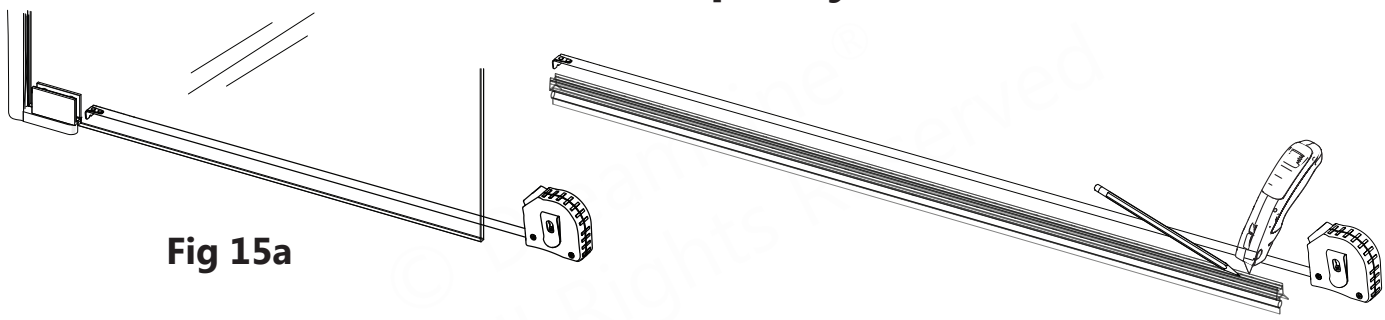


Fig 15a

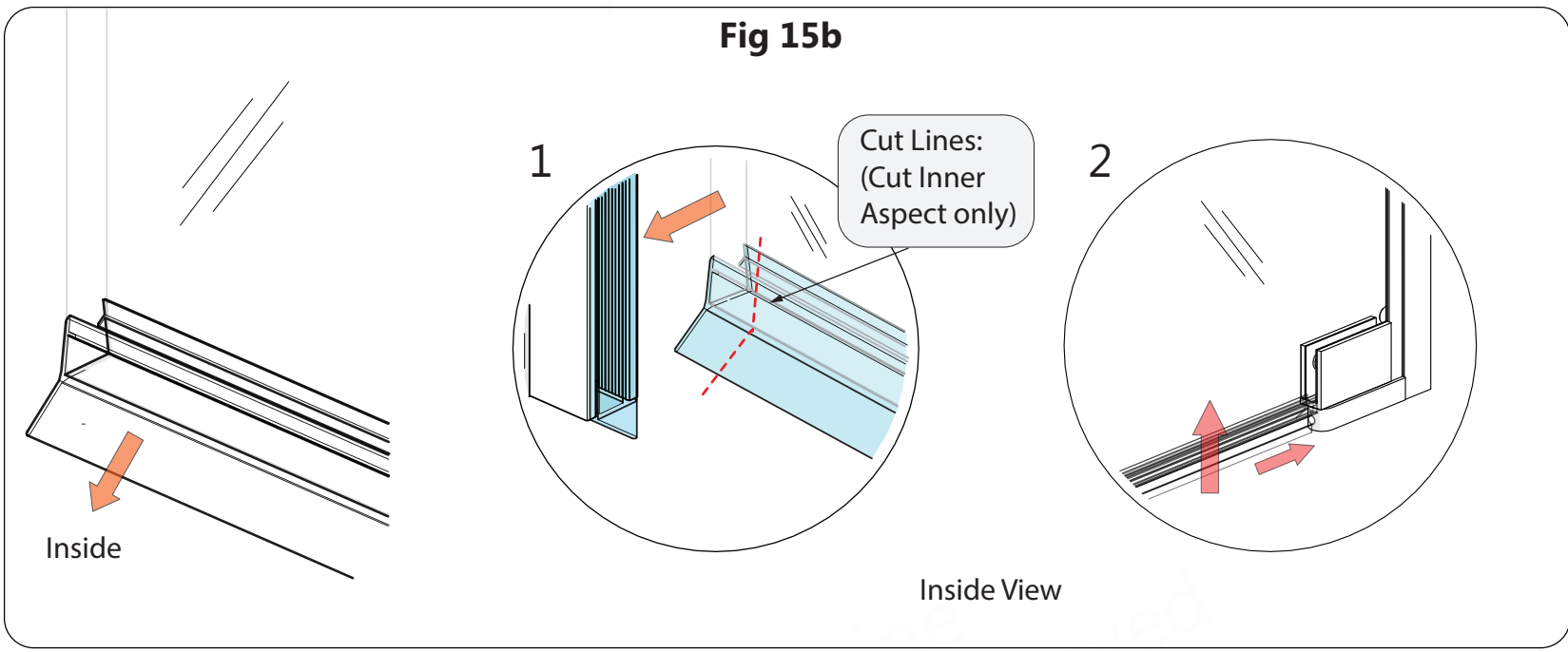
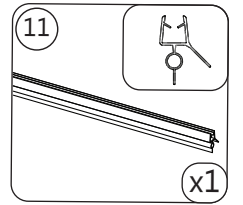


Fig 15b

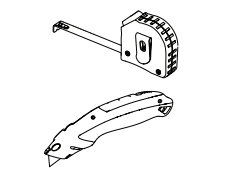


Close the door, mark and notch the inner aspect only of the inner-side of the **Bottom Sweep (#11)** where it overlaps the **Snap-in Anti-Water Strip (#10)** when the door is in the closed position. (Fig 15b.1)

**Parts Needed**



**Tools Needed**



NOTE

The surfaces need to be clean and free of debris before applying silicone.

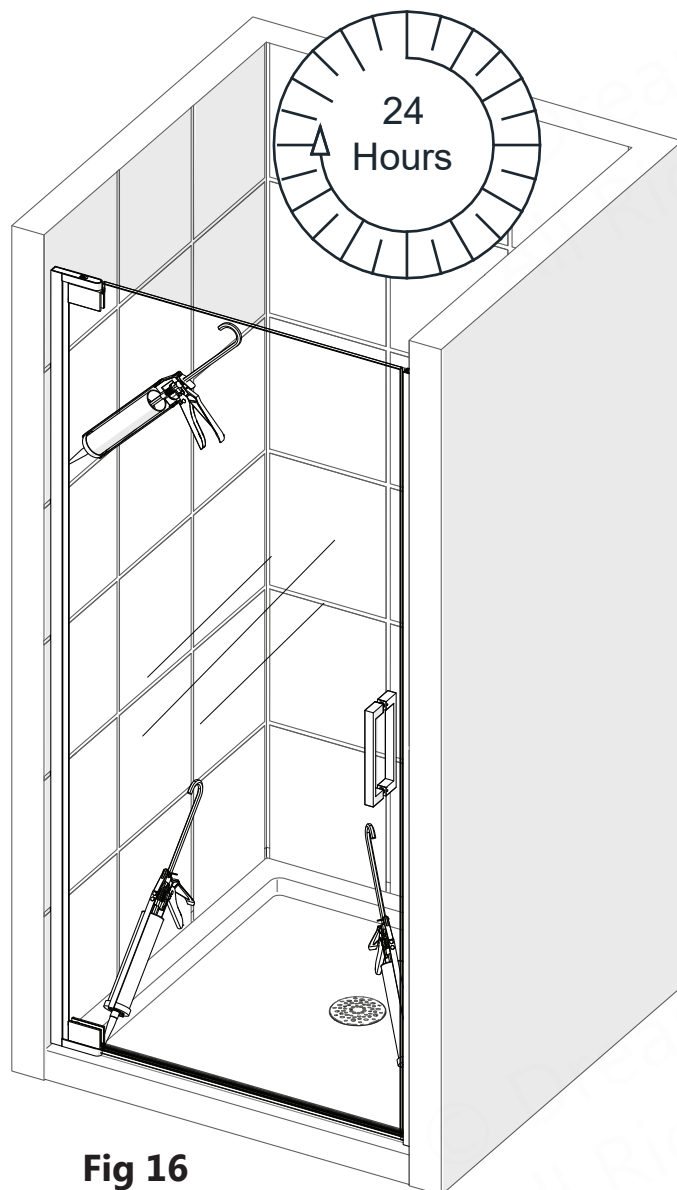


Fig 16



**This completes the single door installation.**

**For the installation of a model that includes inline panel glass:**

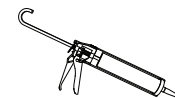
-Complete the installation steps using the manual that is packaged with the inline panel glass.

**Note** that the strike side **Glass Profile (longer) (#04)** and **Wall Profile Strike Side (longer) (#05)** will not be used with the inline panel installation.



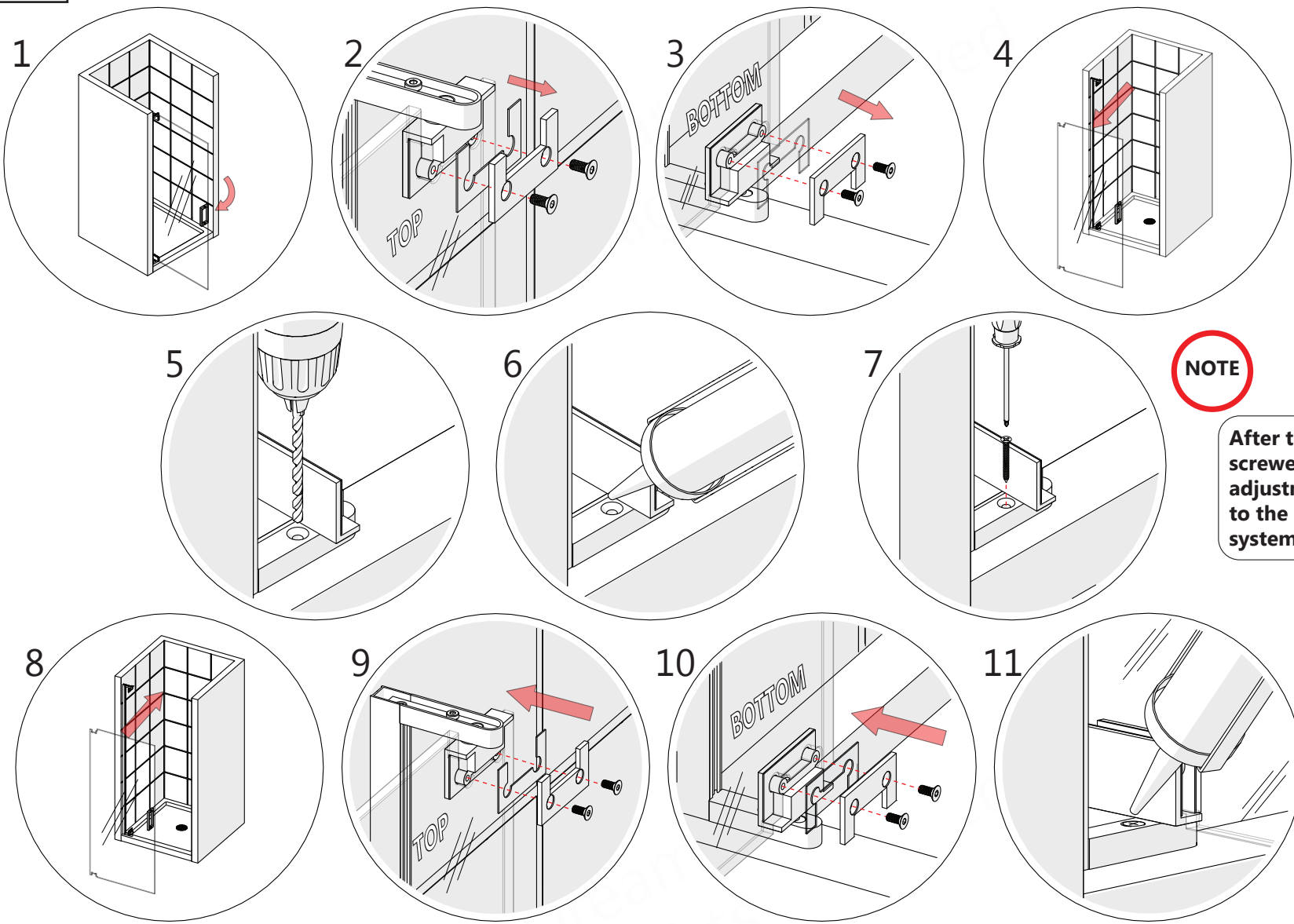
Allow 24 hours for the silicone caulk to cure before using the shower.

Tools Needed



17

# Securing the Bottom Pivot Assembly To The Threshold



**NOTE**  
 After the bottom pivot is screwed to the threshold, adjustment will be limited to the strike side wall profile system.

**NOTE**

▪ For installation into an **Acrylic Threshold:**  
 drill a  $\text{Ø}1/8''$  (3mm) hole and use the **ST4.2×40mm Countersunk Screw (#01.9 / 02.9)**  
**OR**  
 ▪ For installation into a **Tile Threshold:**  
 drill a  $\text{Ø}3/16''$  (4mm) hole up to the stud, drill an  $\text{Ø}1/8''$  (3mm) pilot hole and use the **ST4.2×40mm Countersunk Screw (#01.9 / 02.9).**

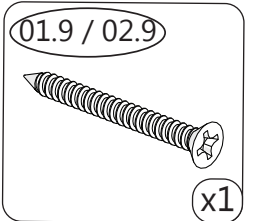


Use a longer drill bit to drill through the hole in the Pivot Assembly. see Fig 5

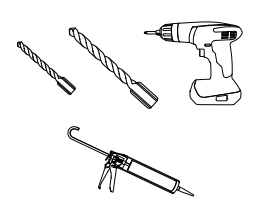
**NOTE**

Use caution not to scratch the hinge surface.

**Parts Needed**



**Tools Needed**



## Product Maintenance

**BASES and BACKWALLS:** To ensure long lasting life for your acrylic back walls: wipe them off after each use with a soft cloth. To clean the acrylic back walls use non-abrasive sprays or cream based cleaners. Avoid the use of aerosol spray cleaners. Never use abrasive cleansers, metal brushes or scrapers that could permanently scratch or dull the surface.

**GLASS:** To ensure long lasting life for your glass shower products: wipe them off after each use with a soft cloth. Rinse and wipe off the glass using either a soft cloth or a squeegee to prevent soap buildup and water spots (Hard water can etch the surface of the glass over time if left to dry). To prevent scratching the surface: never use abrasive cleaners or cleaning products that contain scouring agents. Never use bristle brushes or abrasive sponges that may scratch the surface of the glass.

**HARDWARE:** To ensure a long lasting finish: wipe off all metal parts after each use with a soft cloth. Do not use abrasive cleaners or cleaning products containing ammonia, bleach or acid. If accidentally used, rinse the surface as soon as possible to prevent damage to the finish (peeling or corrosion). After cleaning the polished finishes, rinse thoroughly and wipe dry with a soft, clean cloth. Clean stainless steel surfaces at least once a week. When applying stainless steel cleaner or polish to stainless steel hardware, work with the grain (not across the grain). Never use an abrasive sponge or cloth, steel wool or wired brush as these may permanently scratch the surfaces.



**To maximize the life of your door, it is important to regularly inspect the glass and other hardware for misalignment, proper attachment, and/or damage. Contact DreamLine® with any questions or concerns.**

### ELEGANCE / ELEGANCE-LS Single Door Maintenance Checklist

- Check that the unit is stable, operates smoothly and that the installation is secure
- Confirm that all screws are tight
- Confirm that all vinyl seals are intact (replace if missing or damaged to prevent water leakage)
- Inspect exposed and concealed glass edges for damage
  - Damaged Glass Must be Replaced**

# Troubleshooting

Problem/Symptom	Suggested Solution	Page(s)
Missing Parts	<ul style="list-style-type: none"> <li>•Check all shipping/packaging material for missing parts/components.</li> <li>•If not found, contact DreamLine Customer Support [1-866-731-2244] to order factory part replacement.</li> </ul>	—
<b>Door Glass (#03)</b> does not close flush with the Strike Profile	<ul style="list-style-type: none"> <li>• Inspect the <b>Bottom Sweep Vinyl (#11)</b> and ensure the orientation of the vinyl is installed correctly.</li> <li>•Check that the Strike Profile is installed correctly so the Door Glass closes flush with the <b>Strike Vinyl Seal (#15)</b></li> <li>•Check that the reveal between the door and strike vinyl is consistent /even. Use a level and adjust the assembly as necessary</li> </ul>	20-23; 25
During operation the shower assembly shifts within the wall profile	<ul style="list-style-type: none"> <li>•Check that the screws connecting the pivot-side Glass Profiles and Wall Profiles are installed correctly attaching the two extrusions together.</li> <li>•Install all <b>ST4.0×10mm Pan Head Screws (#09)</b> and <b>Decorative Covers (#12)</b> are securing the Glass Profiles to the Wall Profiles</li> <li>•Open the <b>Door Glass (#03)</b> and ensure the bottom <b>Pivot Assembly-B (#02)</b> is screwed down to the threshold. To create a tight seal, it may be necessary to screw down into the threshold</li> </ul>	24; 27
Water Leakage: beneath the bottom <b>Pivot Assembly-B (#02)</b>	<ul style="list-style-type: none"> <li>•Inspect the silicone caulk application; Remove and replace if necessary</li> <li>•Check that the <b>Bottom Sweep Vinyl (#11)</b> makes contact with the <b>Pivot Assembly-B (#02)</b> when the door is in the closed position</li> <li>•Direct the water flow away from the area</li> </ul>	—
Water Leakage: beneath the <b>Bottom Sweep Vinyl (#11)</b>	<ul style="list-style-type: none"> <li>•Inspect and ensure the threshold is pitched correctly into the shower</li> <li>•Check that the <b>Bottom Sweep Vinyl (#11)</b> is installed correctly onto bottom of the <b>Door Glass (#03)</b></li> <li>•Direct the water flow away from the area</li> </ul>	25
Pivot Assemblies are binding on hinge-side Vinyl Insert	<ul style="list-style-type: none"> <li>•Using a utility razor knife, notch the vinyl around the pivot.</li> </ul>	—



Prior to contacting DreamLine® Customer Service, please have the following information readily available:

- Purchase Order Information
  - Name, PO Number, Dealer/Vendor Name, etc.
- SKU/Model Number (see Pages 30-32)
- Factory Part Information (see Pages 30-32)

## Factory Parts Information

ELEGANCE AND EKEGANCE-LS HARDWARE		FACTORY PARTS INFORMATION	
ITEM #	FACTORY PART NUMBER	ITEM DESCRIPTION	QTY
01	040370 <b>11</b> -1830 / 040370 <b>41</b> -1830 / 040370 <b>61</b> -1830 / 040370 <b>91</b> -1830	Wall Profile Pivot Side	1
02	040380 <b>11</b> -1795 / 040380 <b>41</b> -1795 / 040380 <b>61</b> -1795 / 040380 <b>91</b> -1795	Glass Profile Hinge Side (shorter)	1
03	(See Pages 30 and 31)	Door Glass	1
04	040380 <b>11</b> -1830 / 040380 <b>41</b> -1830 / 040380 <b>61</b> -1830 / 040380 <b>91</b> -1830	Glass Profile Strike Side (longer)	1
05	040370 <b>11</b> -1830 / 040370 <b>41</b> -1830 / 040370 <b>61</b> -1830 / 040370 <b>91</b> -1830	Wall Profile Strike Side	1
06	0722 <b>10</b> 41 / 0722 <b>40</b> 41 / 0722 <b>60</b> 41 / 0722 <b>90</b> 41	Handle	1
07	0701 <b>10</b> 53 / 0701 <b>40</b> 53 / 0701 <b>60</b> 53 / 0701 <b>90</b> 53	Pivot Bracket - Top (reversible)	1
08	0701 <b>10</b> 54 / 0701 <b>40</b> 54 / 0701 <b>60</b> 54 / 0701 <b>90</b> 54	Pivot Bracket - Bottom (reversible)	1
09	0755 <b>10</b> 11 / 0755 <b>40</b> 11 / 0755 <b>60</b> 11 / 0755 <b>90</b> 11	Decorative Cover and Washer	11
10a	063008000-1795 (72")	Bumper Seal	1
10b	063008000-1829 (70 5/8")	Bumper Seal	1
11	063015100-0753 / 063015100-0854 / 063015100-1000	Bottom Sweep (30", 34", 40")	1
12	07552148	Anchor	12
13	091202	Bolt M4 x 16 with washer	4
14	091101	Pan Head screw ST4.0 x 10	8
15	092105	Flat Head Screw ST4.2 x 25	2
16	090108	Large Truss Head Screw ST4.2 x 40	16
17	095202	Round Head Socket Bolt M6 x 12	1
18	094201	M6x12 Countersunk Hex Head Screw	1

**BOLD** digit indicates finish color:

**1** = Chrome

**4** = Brushed Nickel

**6** = Oil-Rubbed Bronze

**9** = Satin Black

Contact [Support@DreamLine.com](mailto:Support@DreamLine.com) for Part replacement, installation assistance or additional information.

Complete **Warranty** information is available on [DreamLine.com](http://DreamLine.com).



## Factory Parts Information - Elegance Door Glass

25-1/4" - 27-1/4" ELEGANCE {SHDR-4125720-##}		FACTORY PARTS INFORMATION	
ITEM #	FACTORY PART NUMBER	ITEM DESCRIPTION	QTY
03	010071003	Door Glass	1 pc
27" - 29" ELEGANCE {SHDR-4127720-##}		FACTORY PARTS INFORMATION	
ITEM #	FACTORY PART NUMBER	ITEM DESCRIPTION	QTY
03	010071008	Door Glass	1 pc
28-3/4" - 30-3/4" ELEGANCE {SHDR-4128720-##}		FACTORY PARTS INFORMATION	
ITEM #	FACTORY PART NUMBER	ITEM DESCRIPTION	QTY
03	010071008	Door Glass	1 pc
30-1/2" - 32-1/2" ELEGANCE {SHDR-4130720-##}		FACTORY PARTS INFORMATION	
ITEM #	FACTORY PART NUMBER	ITEM DESCRIPTION	QTY
03	010071008	Door Glass	1 pc
32-1/4" - 34-1/2" ELEGANCE {SHDR-4132720-##}		FACTORY PARTS INFORMATION	
ITEM #	FACTORY PART NUMBER	ITEM DESCRIPTION	QTY
03	010071008	Door Glass	1 pc
34" - 36" ELEGANCE {SHDR-4134720-##}		FACTORY PARTS INFORMATION	
ITEM #	FACTORY PART NUMBER	ITEM DESCRIPTION	QTY
03	010071008	Door Glass	1 pc
35-3/4" - 37-3/4" ELEGANCE {SHDR-4135720-##}		FACTORY PARTS INFORMATION	
ITEM #	FACTORY PART NUMBER	ITEM DESCRIPTION	QTY
03	010071008	Door Glass	1 pc

Contact [Support@DreamLine.com](mailto:Support@DreamLine.com) for Part replacement, installation assistance or additional information.  
Complete **Warranty** information is available on [DreamLine.com](http://DreamLine.com).

## Factory Parts Information - Elegance-LS Door Glass

25-1/4" - 27-1/4" ELEGANCE-LS {SHDR-4325000-##}		FACTORY PARTS INFORMATION	
ITEM #	FACTORY PART NUMBER	ITEM DESCRIPTION	QTY
03	010071002	Door Glass	1 pc
27" - 29" ELEGANCE-LS {SHDR-4327000-##}		FACTORY PARTS INFORMATION	
ITEM #	FACTORY PART NUMBER	ITEM DESCRIPTION	QTY
03	010071003	Door Glass	1 pc
28-3/4" - 30-3/4" ELEGANCE-LS {SHDR-4328000-##}		FACTORY PARTS INFORMATION	
ITEM #	FACTORY PART NUMBER	ITEM DESCRIPTION	QTY
03	010071004	Door Glass	1 pc
29-1/4" - 34-1/4" ELEGANCE-LS {SHDR-4325060-##}		FACTORY PARTS INFORMATION	
ITEM #	FACTORY PART NUMBER	ITEM DESCRIPTION	QTY
03	010071005	Door Glass	1 pc
30-1/2" - 32-1/2" ELEGANCE {SHDR-4330000-##}		FACTORY PARTS INFORMATION	
ITEM #	FACTORY PART NUMBER	ITEM DESCRIPTION	QTY
03	10071006	Door Glass	1 pc
31" - 33" ELEGANCE {SHDR-4327060-##}		FACTORY PARTS INFORMATION	
ITEM #	FACTORY PART NUMBER	ITEM DESCRIPTION	QTY
03	010071007	Door Glass	1 pc
32-1/4" - 34-1/4" ELEGANCE {SHDR-4332000-##}		FACTORY PARTS INFORMATION	
ITEM #	FACTORY PART NUMBER	ITEM DESCRIPTION	QTY
03	010071008	Door Glass	1 pc

Contact [Support@DreamLine.com](mailto:Support@DreamLine.com) for Part replacement, installation assistance or additional information.  
Complete **Warranty** information is available on [DreamLine.com](http://DreamLine.com).

# NOTES

© DreamLine  
All Rights Reserved

© DreamLine  
All Rights Reserved



TEL: 866-731-2244  
FAX: 866-857-3638  
DREAMLINE.COM



For more information on DreamLine® Shower Doors and Enclosures please visit **DreamLine.com**