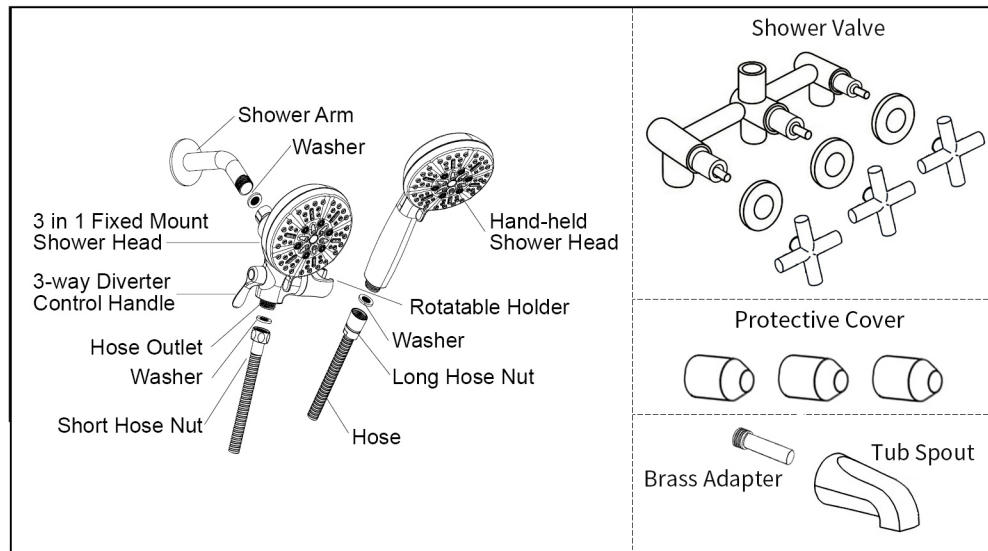


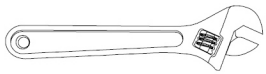
INSTALLATION INSTRUCTIONS

3 HANDLES SHOWER FAUCET SET



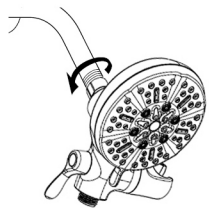
INSTRUCTION MANUAL

- Gather the tools to install the shower head.



Adjustable Wrench (not included)

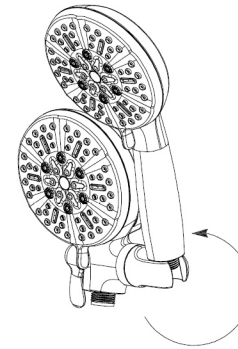
- Remove old shower head and remove all pipe tape as well.
- Insure that the washer from the old shower is not connected to the pipe. Use a thin utensil to check inside the pipe for washers, such as a pencil or screw driver. Do not use your fingers.



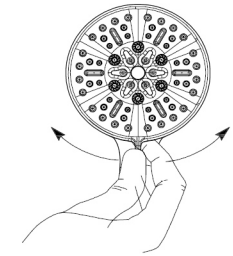
WARNINGS:

- As with all combination showers, using both shower together always cause water pressure to drop in each shower head. Use shower head or hand shower individually to maximize water pressure for high-power performance. Use combined dual-shower application for gentle pampering, wide flow coverage and targeting of different body areas.
- Always ensure the hand-held shower head is properly placed in the bracket, so as to prevent the shower head from falling.
- Do not pull on or tug the flexible hose. This may result in the shower head coming loose and falling.

Note: Several U.S. state and local municipal plumbing codes require the use of a backflow prevention device when installing a hand shower. This device is termed a vacuum breaker. If your hand shower includes a vacuum breaker it will be located in the plug of hand-held shower.



To Adjust Angle of Hand Shower
Rotate holder in vertical direction to set desired hand shower angle.



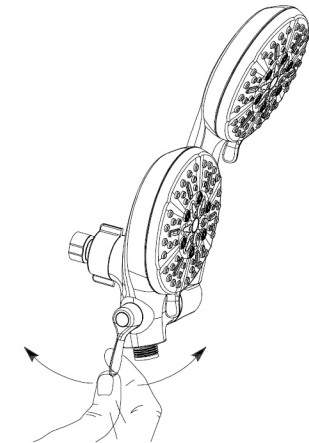
Spray Selector

Spray Selector allows you to select from various spray patterns. Spray pattern is controlled by the small lever that rotates left and right.



To Save Water while Lathering or Shampooing

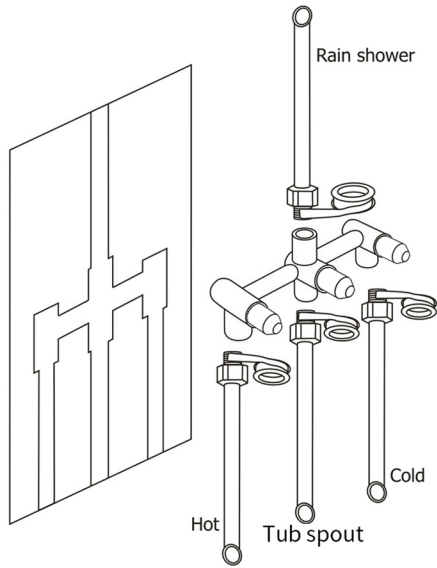
To save water, turn dial lever to pause mode. For your safety (to prevent pressure buildup), pause mode has water dripping instead of complete shut-off. After use, do not leave dial set to pause mode.



To Use 3-way Diverter

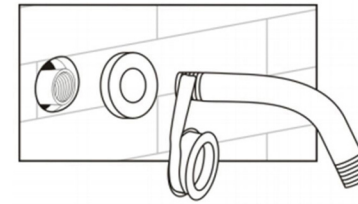
To change between the hand-held or fixed mount spray or combination of both, turn the handle on the 3 in 1 fixed mount shower head clockwise or counter clockwise.

Installation Steps

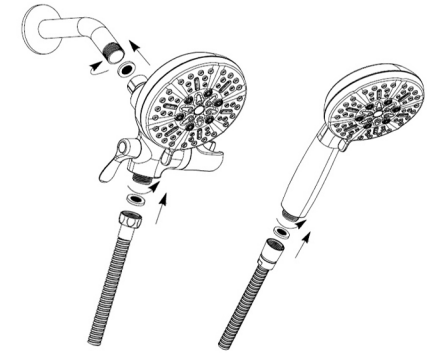


① A.Wrap the pipe tape to the prepared male water pipe and then connecting to the embedded shower valve.Pay attention to the connection of the water inlet and outlet signs.

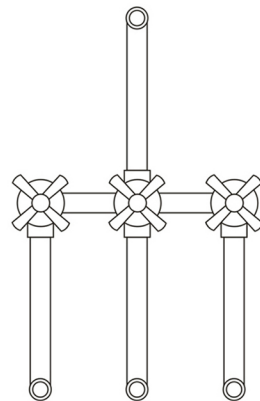
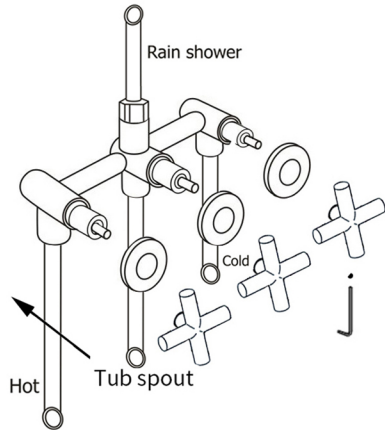
B.Measure the installation position of the shower system on the wall according to the needs of the parts and the size of the embedded valve body.Confirming it and mark it with a pen.



④ Wrap the shower arm thread with pipe tape before connect to the water pipe.

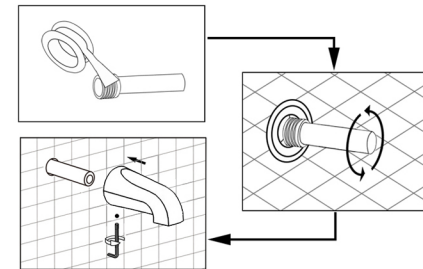


⑤ Attach 3 in 1 fixed mount shower head by threading clockwise onto shower arm with rotatable holder to the right and 3-way diverter control handle to the left. Use a wrench to tighten shower head nut to a properly snug fit.Then connect the shower hose to the shower head and hand shower as the pictures shows.



② Take off the plastic protective cover and install the round decorative cover and handles.

③ Use rubber plug to block the top shower spout, Tub spout connector. Open the water source, check the connection of the upper and lower water pipes, and the pressure of the pipe to ensure no leakage.Make sure there are no water leaks then tilling the wall and install the round decorative cover and the cross handles.



1: Wrapped some teflon tape on the thread of the adapter.
2: Screw the brass adapter into the pipe connector, and then insert spout and tighten the screw under the tub spout.

