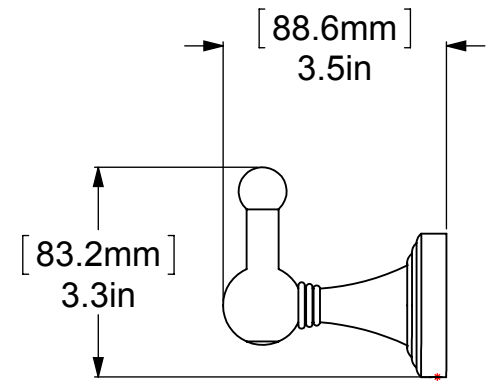
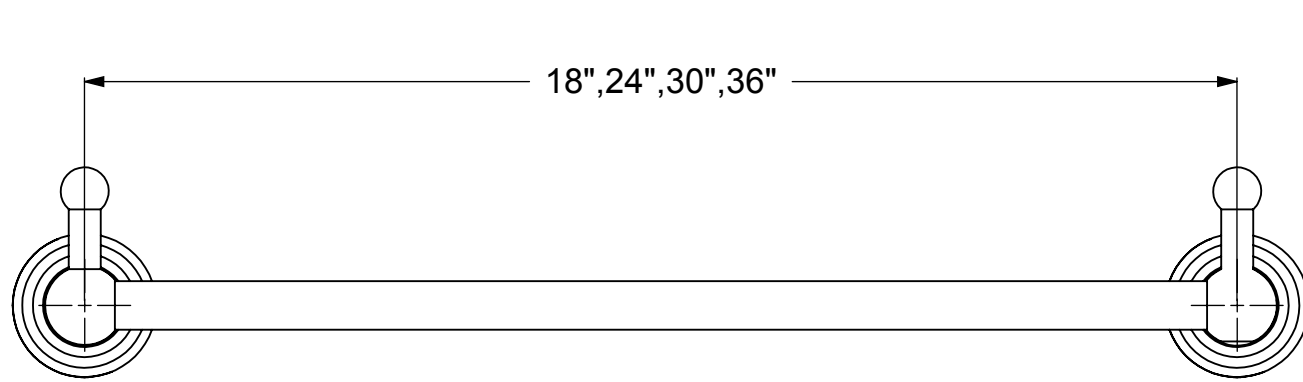
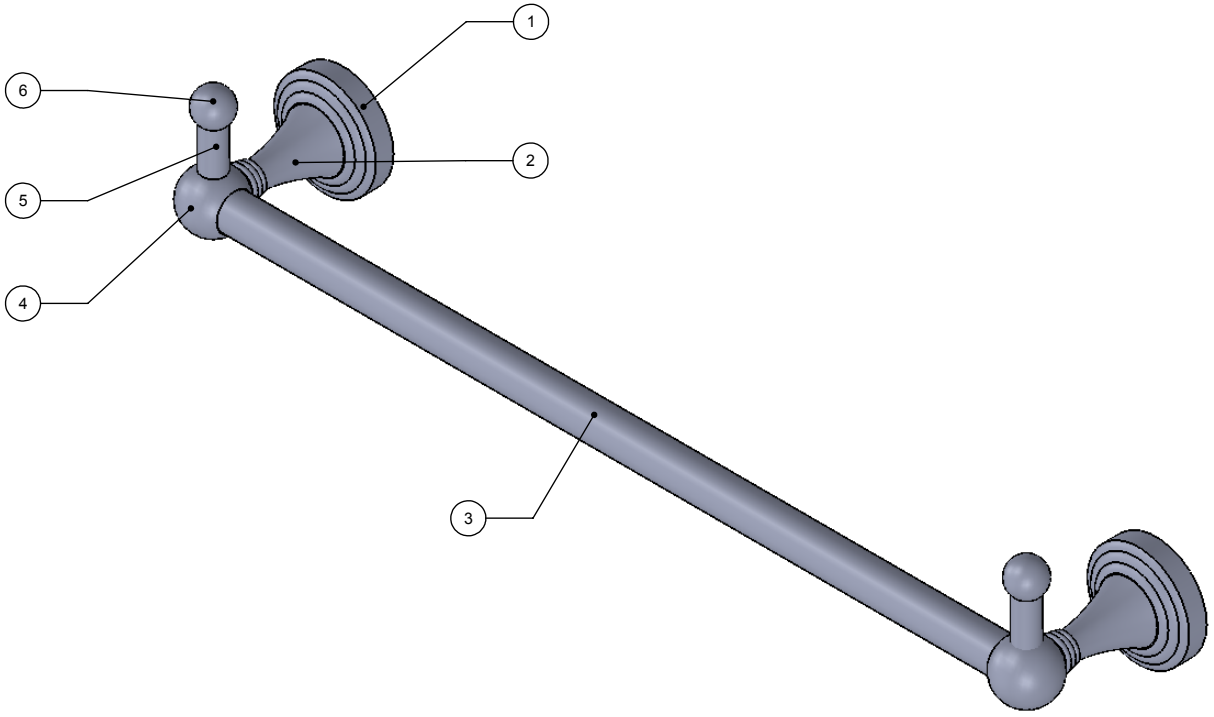


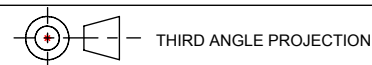
ITEM NO.	P/N	Description	QTY.
1	BPSG	BACKPLATE	2
2	TU12-2	POST	2
3	TU34-18,24,30,36	TUBE	1
4	BL34ST-1.25	LOCK	2
5	TU12-1	TUBE	2
6	BL1T-34	END BALL	2



UNLESS OTHERWISE STATED


.X	$\pm .3\text{mm}$
.XX	$\pm .15\text{mm}$
.XXX	$\pm .008\text{mm}$

COPYRIGHT © Allied Brass 2016



DRAWN	3/24/2017	I.M
CHECKED	3/24/2017	P.D
APPROVED	3/24/2017	R.A

MATERIAL: BRASS
 DESCRIPTION: Sag Harbor Collection Towel Bar with Integrated Hooks



FINISH	TBD
QUANTITY	TBD
DRAWING No.	REV
SG-41PEG	0
SCALE	1:3
SHEET: 01	A4