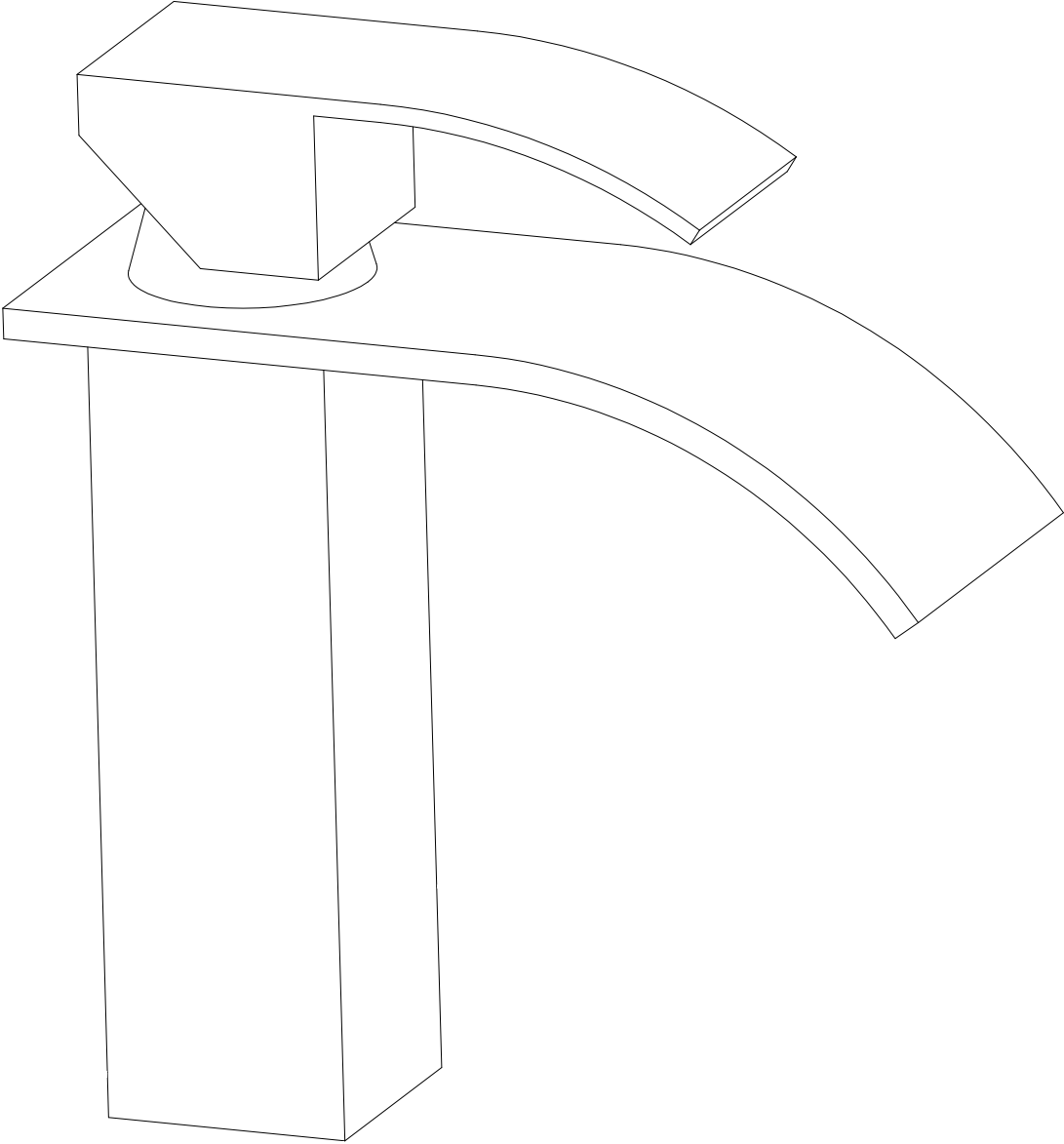


Basin faucet
Installation Manual



Warranty Card

Dear Users:

Thank you for choosing our product, to protect your rights, please fully understand the following warranty terms:

1. The customer can enjoy free warranty service within one-year warranty period with warranty card and invoice or receipt of product (copy invalid)

A. Related Info:

| | | | |
|------------------|----------|---------------|----------------------------------|
| Customer | Name: | | |
| | Address: | | |
| | Tel.: | | |
| Retailer | Name: | | |
| | Tel.: | | |
| Model No. | | Series No. | |
| Date of Purchase | | Warranty time | 1 Year from the date of purchase |

B. Notes about the warranty card:

1. Please make sure that the above info is completed in the warranty.
2. This warranty and invoice are important documents for product maintenance. During warranty period, when the retailer or service people come for product maintenance, please present the Warranty and invoice.
3. This warranty cannot be reissued. Keep it in a proper place.

C. Free repairment policy:

During warranty period, if product failure/damage occurs under normal operation according to the user manual, free repair service will be provided.

D. The following repairment or maintenance should be paid:

1. Failure occurs out warranty period;
2. If this warranty/invoice is not presented;
3. Failure/damage occurs due to transportation/collision of the product after purchase;
4. Failure/damage occurs due to natural disasters such as fire, earthquake, flood damage, lightning or by environmental pollution, gas and abnormal voltage;
5. Failure/damage due to user's responsibility, improper repairment or reassembling of the product;
6. Failure/damage due to improper cleaning of product (e.g. improper use of detergent or cleaning method);
7. Failure/damage due to sand, junk or other unexpected goods from water supply;
8. Relocation of the product up to end user's requirement

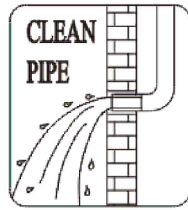
CLEAN AND PROTECTION

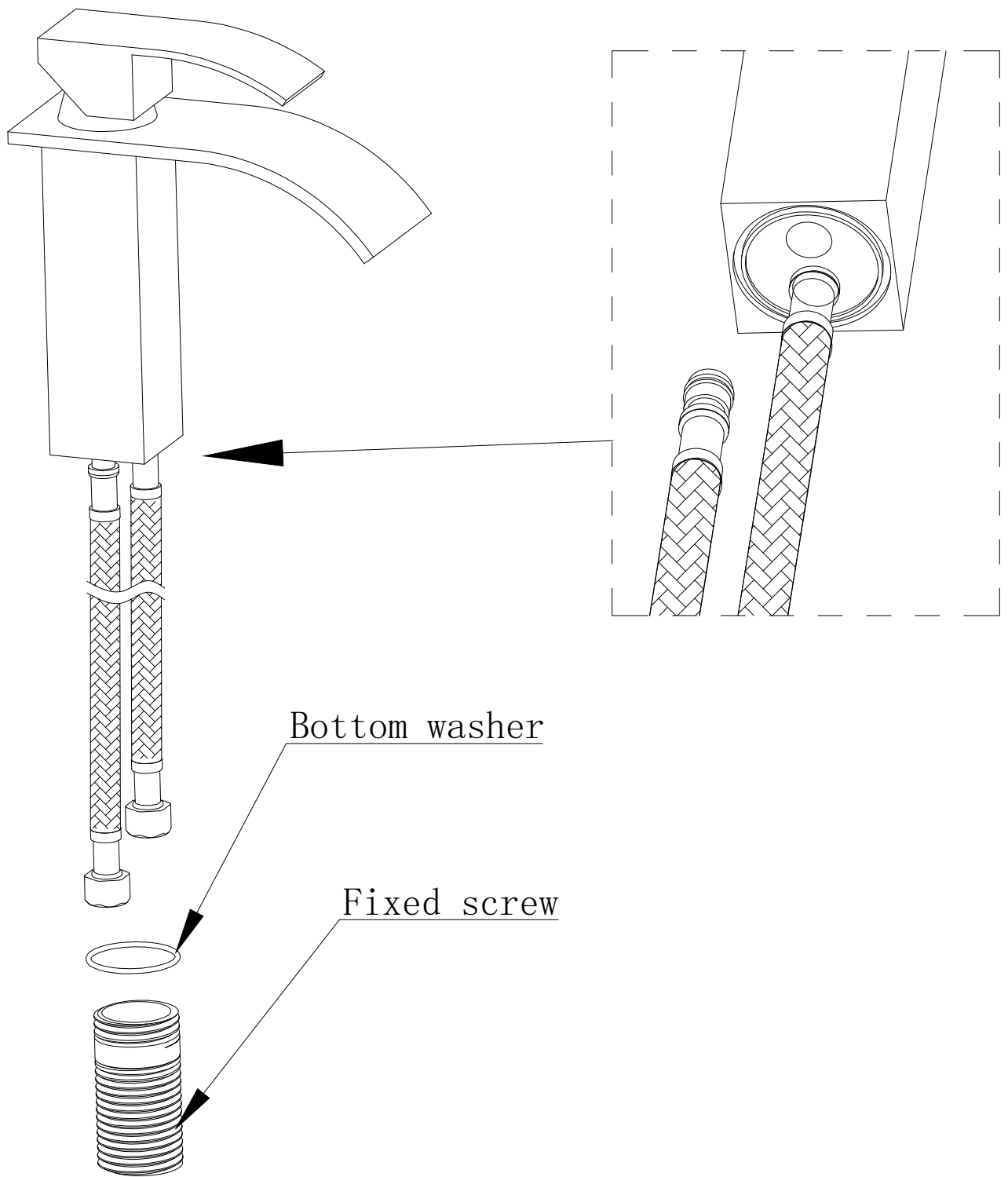


In order to keep clean, shiny and good function of faucet, please do it as below:

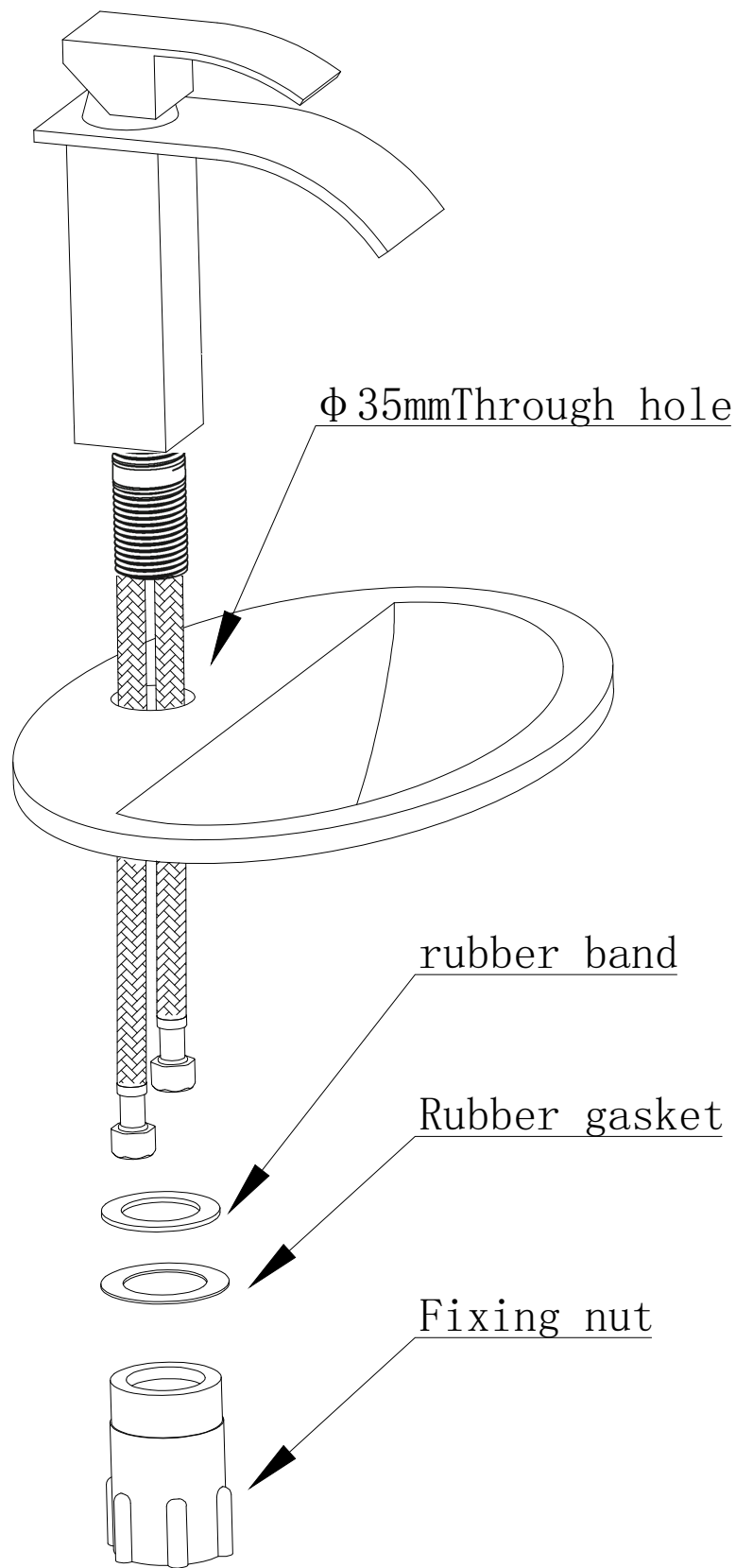
1. Clean it with clear water and soft cotton cloth.
2. Use mild liquid, colorless glass cleaner or non abrasive polisher to clean the surface dirt.
3. DO NOT use abrasive cleaner, polisher, gauze, tissue or knife, etc.
4. DO NOT use acid cleaner, insoluble granular cleaner, soap, etc.
5. Flow rate may become slow or small, as the aerator becomes dirty after long-time usage, please open the aerator by handle or a tool, clean it, the flow rate will become normal again after you assemble it back to the faucet.

Please clean pipe before install the faucet, or it may be blocked, water can't come out.

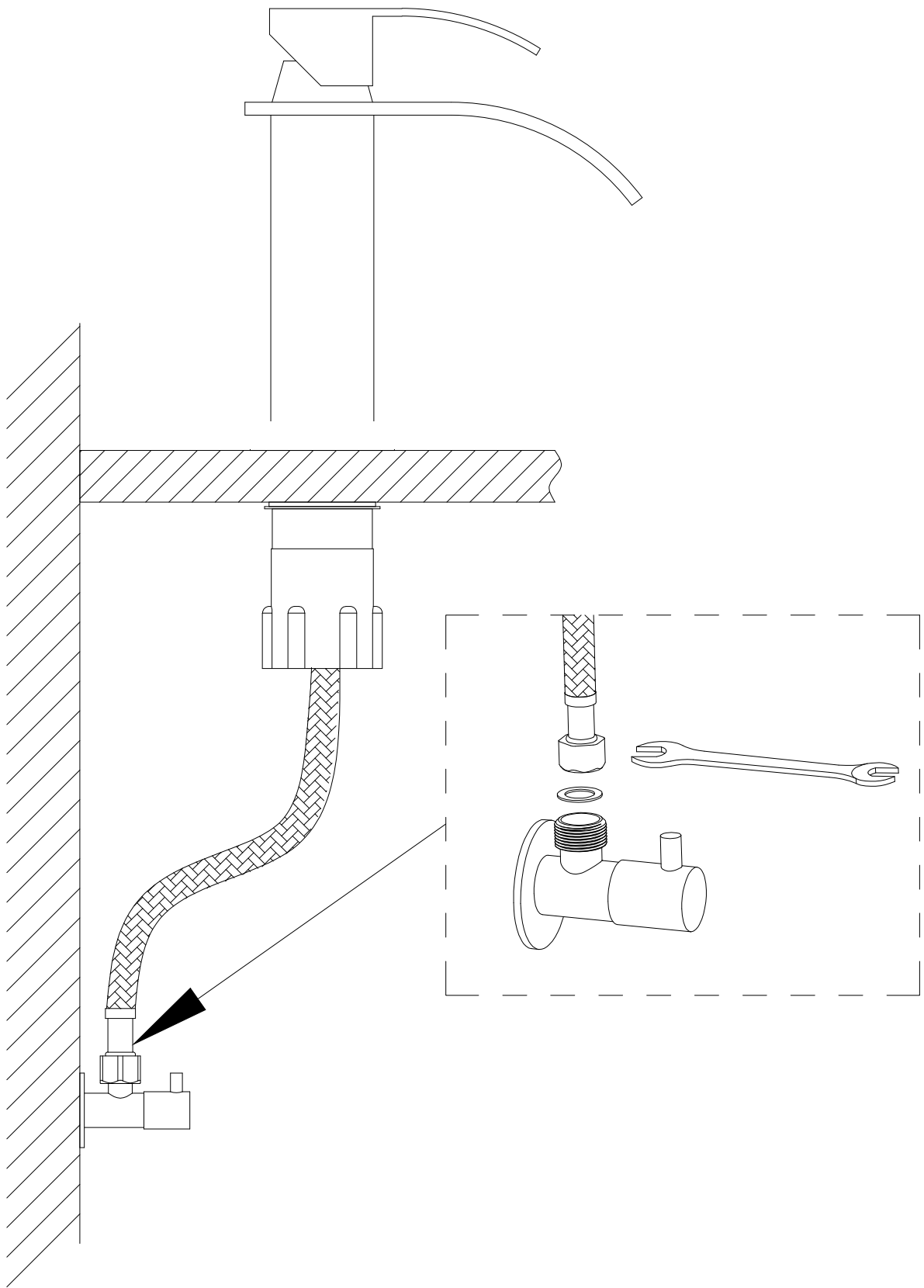




1、 Connect the water inlet pipe to the faucet, then put the bottom gasket into the bottom of the faucet, then tighten the faucet with a fixing screw, and then put on the decorative panel.



2、 Make sure the basin has a $\phi 35\text{mm}$ through hole, pass the hose through the hole, pass the rubber ring, rubber washer, and fixing nut into the hose in the order of the drawing, and tighten the fixing nut and the fixing screw to fix the faucet on the basin



3、 Connect the two inlet pipes on the main body of the faucet to the angle valve. Follow the "red" and "blue" points on the handle of the faucet, the left is red and the right is blue, respectively connecting the "hot"/"cold" water.