

PURPLE FLAT FOUNDATION - LOW
PURPLE FLAT FOUNDATION - HIGH
QUEEN / KING / CAL KING/ CAL KING

EN

 **WARNING**

Do not exceed the maximum recommended weight capacity of 1,000 lbs. for Twin/Twin XL and 1,200 lbs. for Full/Queen/King/Cal King and it may not be exceeded. Exceeding the loading weight capacity may result in collapse and possible injury.

LIMITED TEN (10) YEAR WARRANTY

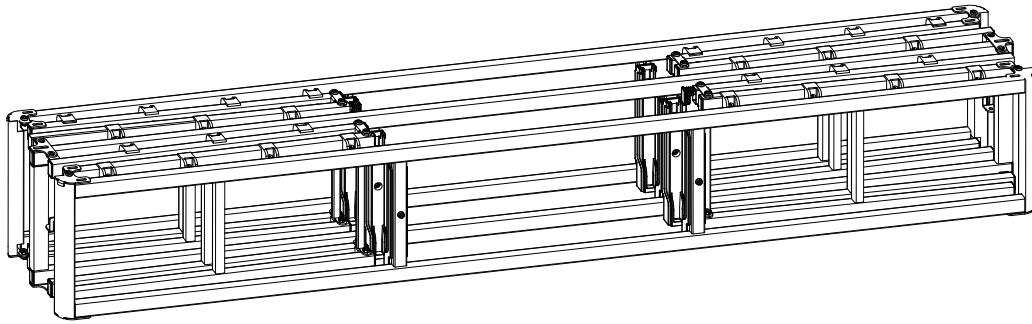
Warranty available to original purchaser only. Proof of purchase is required. This warranty is your sole remedy for product defects only and does not cover damage due to mishandling, misuse or abuse. The defects include circumstances where the frame has broken under normal use and no longer performs its function. The manufacturer is not responsible for incidental or consequential damages. This warranty gives you specific legal rights and you may also have other rights which vary from state to state.

Your complete satisfaction is our number one priority. Our product is designed and manufactured to meet the highest quality standards. In the event that you have assembly questions, or parts are missing or damaged, please let us know before you decide to return your product to the store.

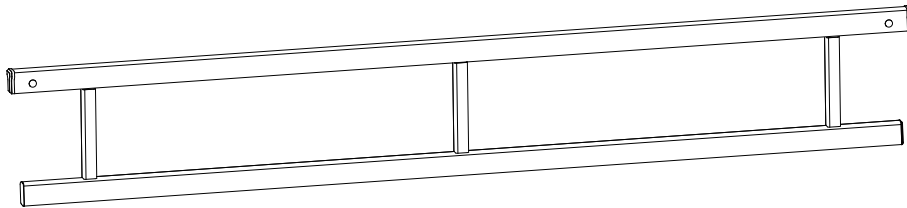
Our customer service department would appreciate the opportunity to provide information regarding assembly and to provide any necessary parts. For warranty claims please contact Purple at 888-848-8456.

Thank you for purchasing our products.
Purple Innovation, LLC
Printed in China

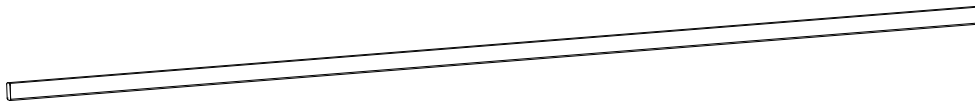
**Please feel free to contact Customer Care at 888-848-8456
or email us info@purple.com for more assistance.**



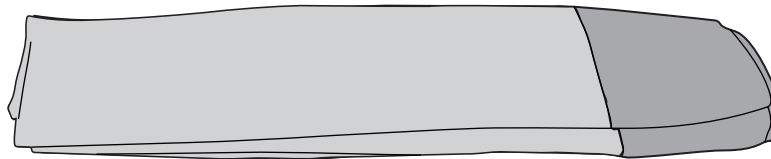
Ⓐ (X1)



Ⓑ (X4)

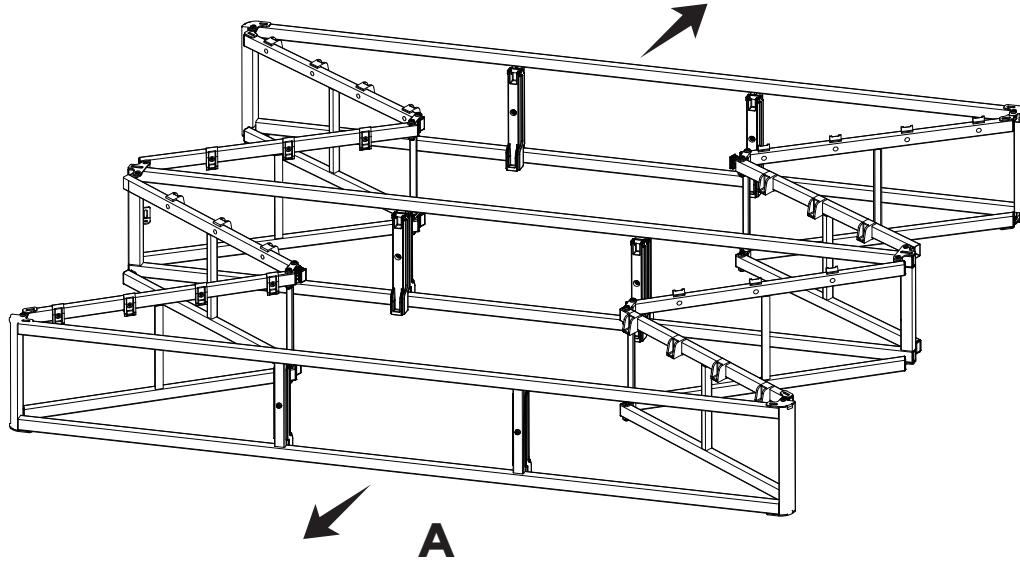


Ⓒ (X14)

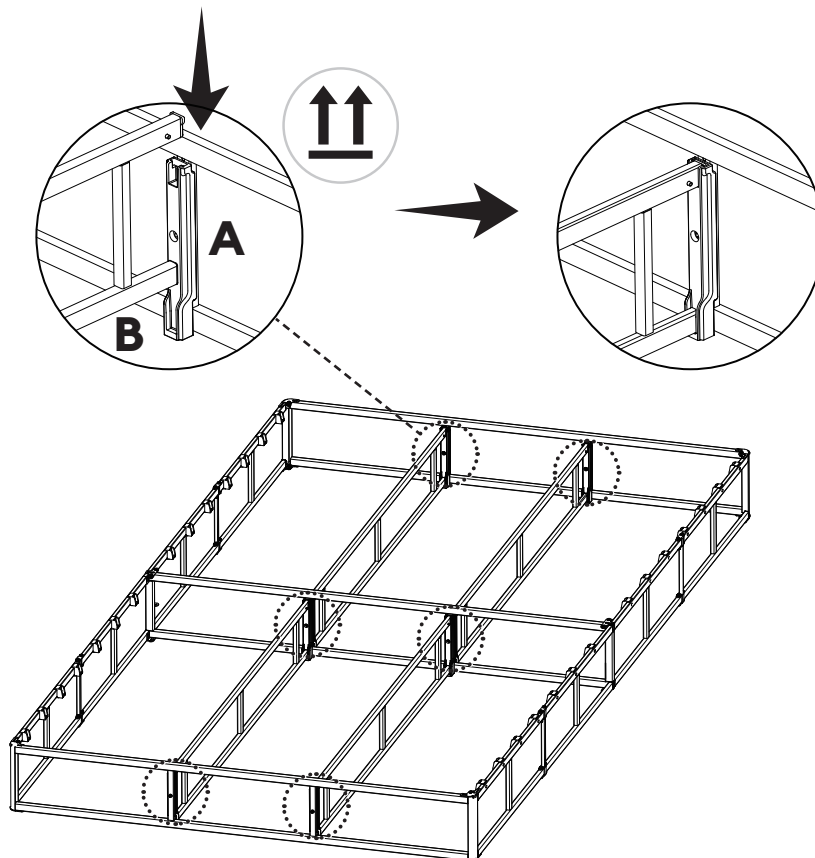


Ⓓ (X1)

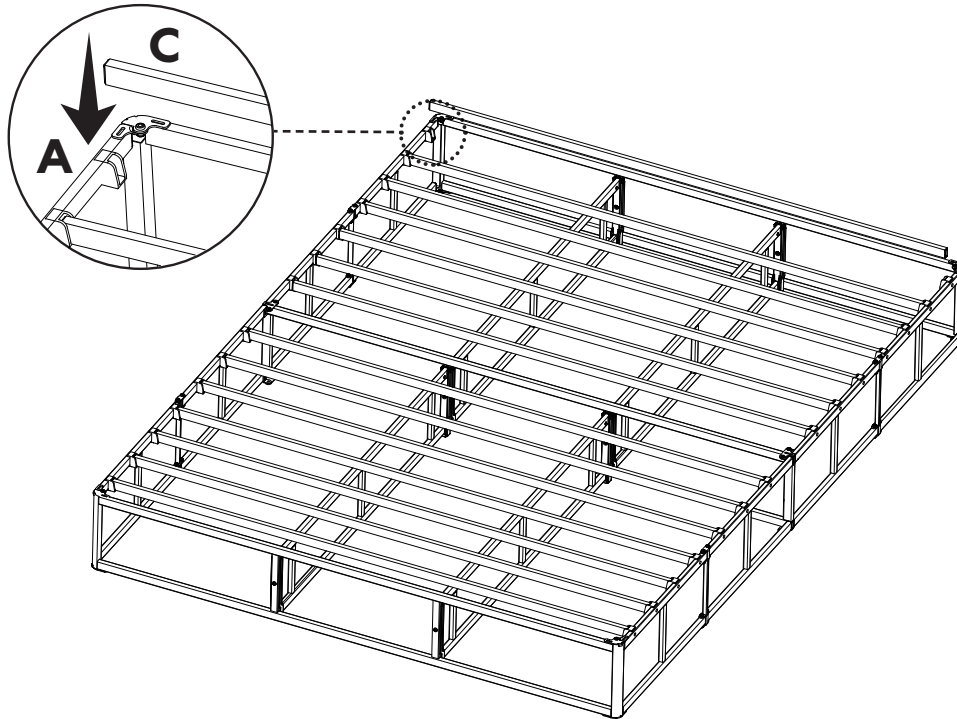
Step 1



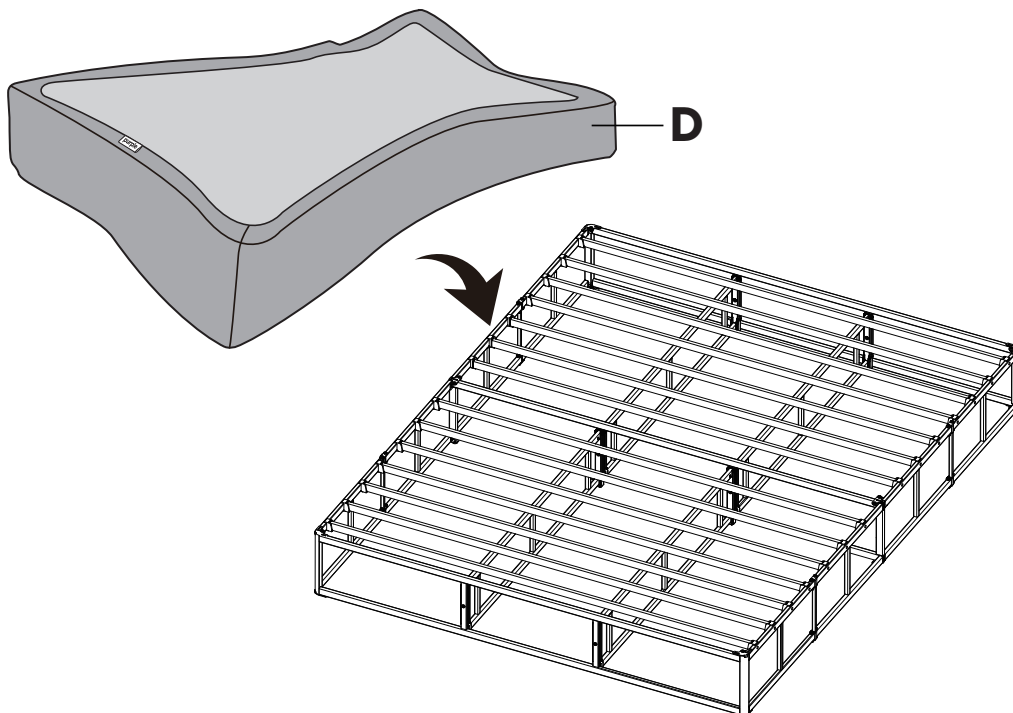
Step 2



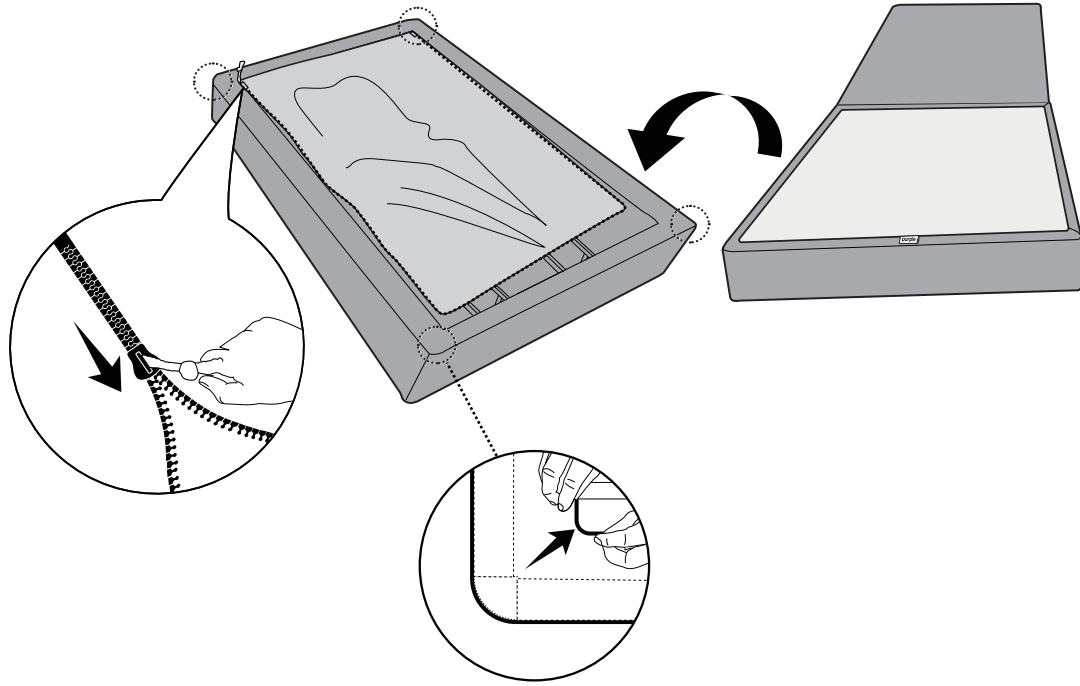
Step 3



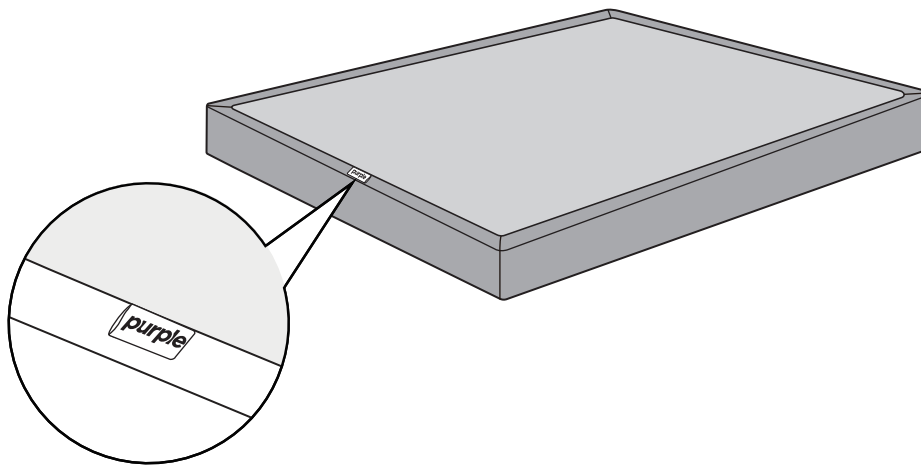
Step 4



Step 5



Step 6



purple