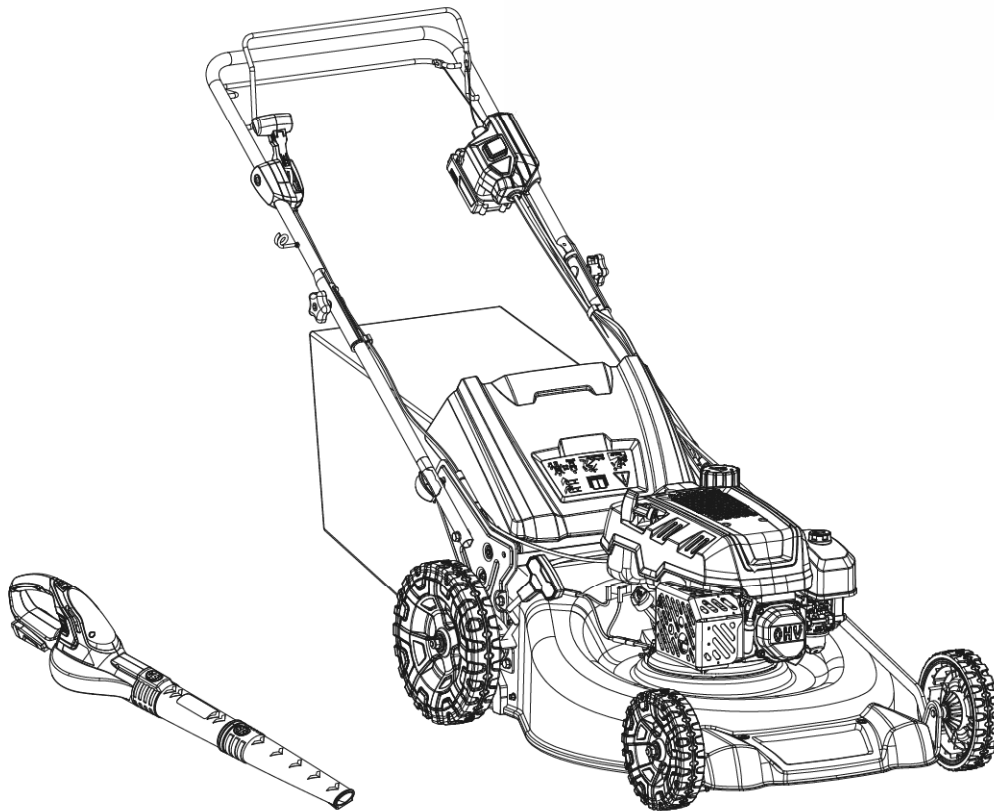




24 in. Electric Start RWD 3-in-1 Mower w/ Blower
Model YG4761-YF1320

24 in. Electric Start RWD 3-in-1 Mower without
Blower Model YG4761

Operator's Manual



SERIAL NUMBER

PURCHASE DATE

Both model numbers and serial numbers may be found on the main label. (See **Page 2, Figure 1**) You should record both of them in a safe place for future use.

! WARNING

Read and understand the entire manual before operating the machine. Failure to comply with the safety instructions in the manual may result in personal injury.

Your new YARDMAX machine offers quality construction and is easy and safe to operate. With proper use and care, it gives many years of dependable service.

Take on any job with ease, portability, and convenience while experiencing the durability of your new machine.

Discover the YARDMAX Advantage

At YARDMAX, we understand that land ownership has its privileges, but it also comes with a great deal of responsibility. When duty calls and you need to respond, will you have what it takes to tame the great outdoors?

YARDMAX delivers the perfect combination of performance and practicality. An Outdoor Power Equipment (OPE) to get the job done right, at the right price. YARDMAX has a solution that's right for you.

MAX Performance, MAX Value, MAX Support – that's YARDMAX

- ✓ Backed by decades of proven manufacturing expertise
- ✓ Enhanced design features brings standard
- ✓ Engineered for the best user experience
- ✓ Quality metal used instead of plastic
- ✓ A robust warranty supports all products
- ✓ Budget-friendly prices make it practical



Up for the job? YARDMAX is.

TABLE OF CONTENTS

Introduction	1
Specifications	4
Symbols	6
Safety	8
Contents Supplied	14
Assembly	15

Know Your Machine	18
Operation	21
Maintenance	27
Transport & Storage	35
Troubleshooting	37
Parts Diagram	40



WARNING Carefully read through this entire operator's manual before using your new unit. Pay attention to all cautions and warnings.

This walk-behind self-propelled lawn mower is intended to be used by residential homeowners. It is designed primarily for cutting grass on well-maintained lawns on residential properties. It is not designed for cutting brush or for agricultural uses. It starts easy and cuts cleanly. The efficiency of the cutting system leaves your lawn looking spotless and clean.

ENGINE MANUAL

The **Engine Manufacturer** is responsible for all engine-related issues with regard to performance, power rating, specifications, warranty, and service. For more information, please refer to the Engine Manufacturer's owner/operator's manual, packed separately with your unit.

EMISSION CONTROL SYSTEM

This equipment or its engine may include exhaust and evaporative emission control system components required to meet U.S. Environmental Protection Agency (EPA) regulations. Tampering with emission controls and components by unauthorized personnel may result in severe fines or penalties. Emission controls and components can only be adjusted by an authorized engine manufacturer's service center.



WARNING CALIFORNIA PROPOSITION 65 WARNING

This product can expose you to engine exhaust, some of its constituents and certain product components contain or emit chemicals known to the state of California to cause cancer and birth defects or other reproductive harm. For more information, go to www.P65Warnings.ca.gov.

ENVIRONMENTAL



Recycle unwanted materials instead of disposing of them as waste. All tools, hoses, and packaging should be sorted, taken to the local recycling center, and disposed of in an environmentally safe way.

MODEL AND SERIAL NUMBERS

Record the model and serial number as well as date and place of purchase for future reference. Have this information handy when ordering parts/accessories, or when making technical/warranty inquiries.

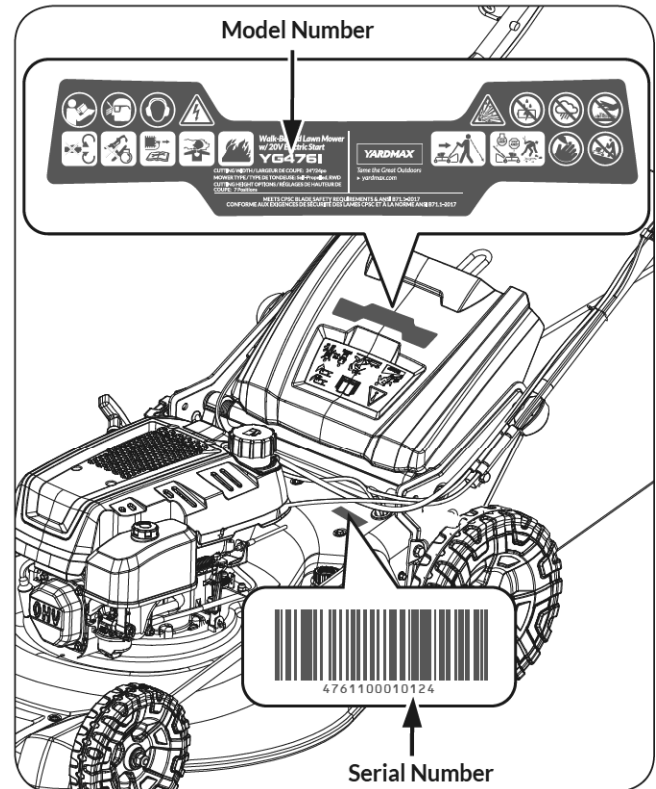


Figure 1

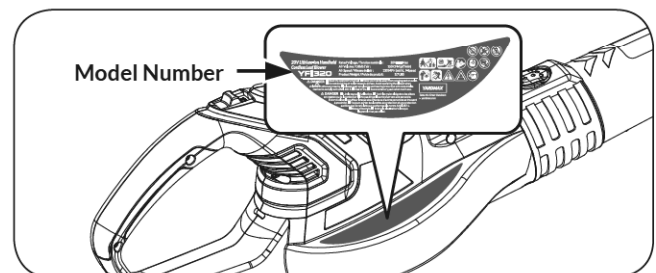


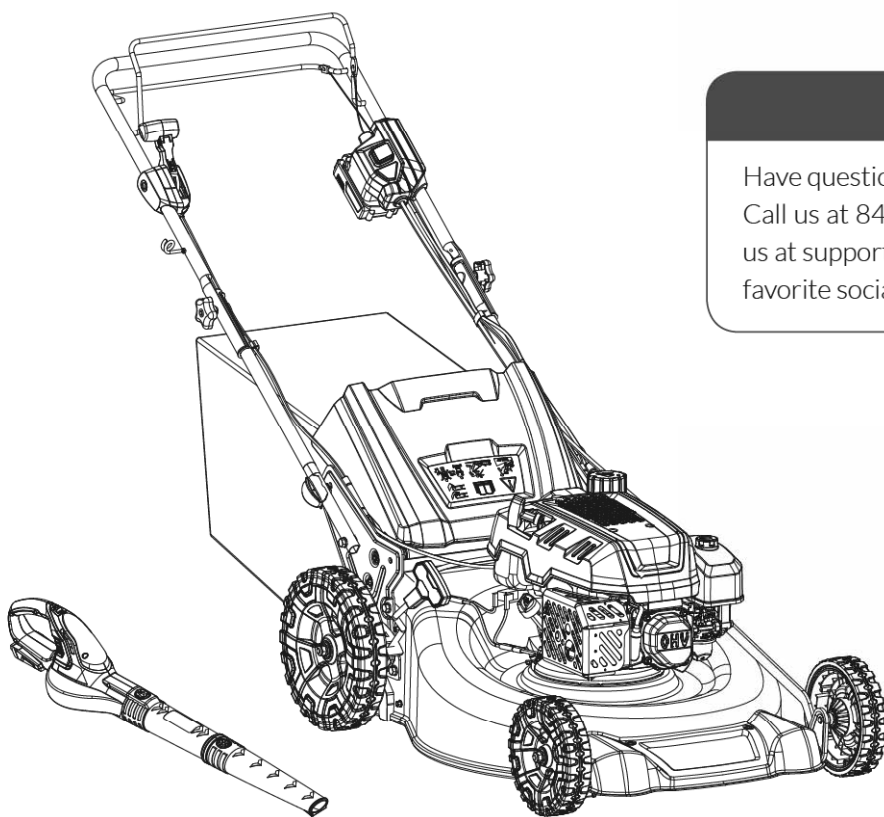
Figure 2

DISCLAIMER

YARDMAX reserves the right to discontinue, change, and improve its products at any time without notice or obligation to the purchaser. The descriptions and specifications contained in this manual were in effect at printing. The equipment described within this manual may be optional. Some illustrations may not apply to your unit.

SUPPORT

Have questions about your YARDMAX equipment?
Call us at 844-927-3629 or 844-YARDMAX, email
us at support@yardmax.com, or contact us via your
favorite social media site.



Only Model YG4761-YF1320
includes blower

SPECIFICATIONS

Model #	YG4761	YG4761-YF1320
Mower Type	Self-Propelled, RWD	
Cutting Options	Bag, Mulch, Rear Discharge	
Cutting Width	600mm (24")	
Max. Cutting Height	95mm (3.74")	
Min. Cutting Height	40mm (1.57")	
Cutting Height Options	7 positions	
Deck Material	13 Gauge	
Deck Type	Stamped	
Rear Bag Capacity	80L (2.83 cu.ft.)	
Engine	YARDMAX	
Power Type	Gas	
Starting System	Electric & Recoil	
Displacement	201 cc	
Engine Torque	12.2N.m (9 ft.-lb)	
Fuel Tank Capacity	1.3L (0.34 gal)	
Oil Capacity	0.5L (16.9 oz.)	
Recommended Oil Type	SAE 10W-30	
Wheels (Front)	200mm (8")	
Wheels (Back)	280mm (11")	
Rear Wheel Height	High Wheel	
Wheel Width (Front)	50mm (2")	
Wheel Width (Back)	56mm (2.2")	
Double Ball Bearing Wheels	Yes	
Recommended Terrain	Flat, Sloped, Uneven	
Size of Yard	2000-6000m ² (1/2-1 1/2 Acre)	
Number of Blades	1	
Number of Handlebar Positions	3	
Weight (lbs)	44kg (97.1 lbs)	45.3kg (99.8 lbs)
Assembled Dimensions (D × W × H)	180cm x 65cm x 102.6cm (70.92" x 25.6" x 40.39")	
Blower YF1320	Not Included	Included

BLOWER YF1320 SPECIFICATIONS

Model #	YF1320
Voltage	20 V
Battery Amp Hours	2.0 A
Number of Batteries Included	1
Maximum Air Volume	255 m ³ /h (150 CFM)
Maximum Air Velocity	208 km/h (130 MPH)
Adjustable Speed Levels	7
Weight (lbs)	1.68kg (3.7 lbs)



NOTE

The machine specification varies with different models. Some illustration may not be applicable to your unit. Everything is subject to the actual item.

YG4761 SYMBOLS

The rating plate on your machine may show symbols. These represent important information about the product or instructions on its use.



DANGER
WARNING
CAUTION



FAST



SLOW



Read these instructions carefully.



Wear approved hearing protection.



Wear eye protection with side shields marked to comply with ANSI Z87.1.



Do not touch parts that are hot from operation. Delete the highlighted line. Add 'It may result in serious burns'. Engine parts, especially the muffler, become extremely hot during operation. Allow engine and muffler to cool before touching.



To reduce the risk of injury, keep hands and feet away from all pinch points, especially the cutting blades. Do not operate unless the discharge cover or grass bagger is in its proper place. If damaged, replace it immediately.



Use extra caution on slopes. The machine is heavy and can speed up when going downhill. Be prepared to maintain control of the machine. To avoid loss of control, operate across slopes, not up and down. When turning, turn uphill, not down. Do not operate on slopes greater than 15°.



Risk of fire and burns. Do not expose battery, battery compartment, or electronic components to rain, water, or liquids. Do not operate on wet ground.



WARNING marking concerning Risk of Electric Shock. Properly connect Charger's power cord to appropriate outlet.



Adhere to battery safety rules to prevent safety issues.



Never start or run the engine inside a closed or poorly ventilated area.

The engine exhaust contains carbon monoxide, an odorless and deadly gas.



Shut off the engine, disconnect the spark plug wire, and make sure all moving parts have stopped before cleaning, repairing, or inspecting the unit.



Always stop the engine before refueling.



Gasoline and its vapors are extremely flammable and explosive. Never fuel the machine indoors or while the engine is hot or running. Wipe up any gasoline that spills. Keep away from any flammables when operating the engine.



Keep hands and feet away from moving parts. Moving parts can crush or cut.



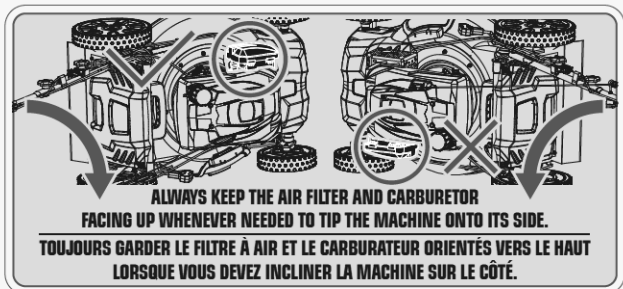
Make sure the engine is off when leaving the mower or not mowing.



Before and while walking backward, look behind and down for small children, animals, or other risks that can cause you to fall.



Keep hands and feet away.





Recommended Ambient Temperature for Charging max. 50°C(122°F)



The battery Charger gets hot during use. The Charger's heat can build up to unsafe levels and create a fire hazard if it does not receive adequate ventilation, due to an electrical fault, or if it is used in a hot environment. Do not place the Charger on a flammable surface.



ENVIRONMENTALLY SAFE BATTERY DISPOSAL

The toxic and corrosive materials are in the batteries used in this machine: Lithium-Ion, a toxic material.

Discard all toxic materials in a specified manner to prevent contamination of the environment. Before discarding damaged or worn out Li-ion battery, contact your local waste disposal agency, or the local Environmental Protection Agency for information and specific instructions. Take the batteries to a local recycling and/or disposal center, certified for lithium-ion disposal.

YF1320 SYMBOLS

The rating plate on your machine may show symbols. These represent important information about the product or instructions on its use.



DANGER
WARNING
CAUTION



Read these instructions carefully.



Wear approved hearing protection.



Wear eye protection with side shields marked to comply with ANSI Z87.1.



WARNING marking concerning Risk of Fire. Do not cover Charger ventilation ducts. Charge on fireproof surface only.



WARNING marking concerning Risk of Electric Shock. Properly connect Charger's power cord to appropriate outlet.



Caution: Lithium battery-powered Blower. Do not expose to rain. Keep battery and electrical components dry to prevent damage. Failure to use in dry conditions and to observe safe practices can result in electric shock.



To reduce the risk of injury, do not put your hands near or put your hands into the tube and blowpipe. Do not touch the fan.



Risk of fire and burns. Do not expose battery, battery compartment, or electronic components to rain, water, or liquids. Do not operate on wet ground.



To reduce the risk of injury, do not remove the tube during use.



Caution! Do not wear long hair uncovered. Use a hair net.



Caution! Beware of the thrown objects. Thrown objects can ricochet and result in personal injury or property damage.



Do not point the blower nozzle in the direction of people or pets.



Never leave blower running unattended. Before leaving the blower, or not blowing, turn power off to avoid possible serious personal injury.

SAFETY

The definitions below give the level of severity for each signal word.



DANGER

This symbol points out important safety instructions.

This machine was built to be operated according to the safe operation practices in this manual. Carelessness or error on the part of the operator can result in serious injury. This machine is capable of amputating fingers, hands, toes, and feet and throwing foreign objects. Failure to observe the safety instructions could result in serious injury or death.



WARNING

This symbol points out safety instructions. Read and follow

all instructions before attempting to operate this machine. Failure to comply with these instructions may result in personal injury.



CAUTION

This symbol indicates a hazard, which, if not avoided,

may result in minor or moderate injury.



NOTE

This information makes the product easier to use.

GENERAL SAFETY RULES

UNDERSTAND YOUR MACHINE

Read this manual and the labels affixed to the machine to understand its limitations and potential hazards before attempting to assemble this machine. Read, understand, and follow all instructions on the machine and in the manuals before operation.

Be thoroughly familiar with the controls and their proper operation. Know how to stop the machine and disengage the controls quickly.

Make sure to read and understand all the instructions and safety precautions as outlined in the Engine Manufacturer's manual packed separately with your unit. Do not attempt to operate the machine until you fully understand how to properly operate and maintain the engine and how to avoid accidental injuries and/or property damage.

Keep this manual and engine manual in a safe place for future and regular reference.

If the unit is to be used by someone other than the original purchaser or loaned, rented, or sold, always provide this manual and any needed safety training before operation. The user can prevent and is responsible for accidents or injuries that may occur to themselves, other people, and property.

This machine is a precision piece of power equipment, not a plaything. Therefore, exercise extreme caution at all times. The sole purpose of this lawn mower is to mow grass, while the included blower in YG4761-YF1320 is designed to clear debris, sticks and leaves. Do not use them for any other purpose.

Do not force the machine. Use the machine correctly. The machine does the job more efficiently and safely at the rate it was designed.

PERSONAL SAFETY

Do not permit children to operate this machine at any time. Only responsible individuals who are familiar with these rules of safe operation should be allowed to use this machine.

To help avoid blade contact or a thrown object injury, stay in the operator zone behind handles and keep children, pets, and other people not using the unit away from the work area. Be alert and shut off the unit if anyone enters the work area. Keep children under the watchful care of a responsible adult.

Thoroughly inspect the area where the equipment is to be used. Remove all stones, sticks, wire, bones, toys, and other foreign objects, which could be tripped over or picked up and thrown by the blade. Thrown objects can cause serious personal injury.

Plan your mowing pattern to avoid the discharge of material toward roads, sidewalks, bystanders, and the like. Also, avoid discharging material against a wall or obstruction, which may cause discharged material to ricochet back toward the operator; this may cause personal injury.

Do not operate the machine while under the influence of drugs, alcohol, or any medication that could affect your ability to use it properly.

Wear sturdy, rough-soled work shoes and close-fitting slacks and shirts. Shirts and pants that cover the arms and legs and steel-toed shoes are recommended. Never operate this machine in bare feet, sandals, slippery or lightweight (e.g., canvas) shoes.

Protect eyes, face, and head from objects that may be thrown from the unit. Always wear safety goggles or safety glasses with side shields when operating and while performing an adjustment or repair.

Always use approved ear protection while you operate the product. Noise for a long period can cause noise-induced hearing loss.

Always keep hands and feet away from all moving parts and under the cutting deck. Contact with moving parts and/or blades can amputate fingers, hands, toes, and feet.

A missing or damaged discharge cover can cause blade contact or thrown object injuries. Do not use a damaged product. Obey the maintenance schedule. Only do the maintenance work that you find an instruction about in this manual.

ENGINE SAFETY



WARNING

This machine is equipped with an internal combustion engine and should not be used on or near any unimproved forest-covered, brush-covered or grass-covered land unless the engine's exhaust system is equipped with a spark arrestor meeting applicable local laws (if any).

If a spark arrestor is used, it should be maintained in effective working order by the operator. Never start or run the engine inside a closed area. The exhaust fumes are dangerous, containing carbon monoxide, an odorless and deadly gas.

Operate this unit only in a well-ventilated outdoor area.

Do not tamper with the engine to run it at excessive speeds. The maximum engine speed is preset by the manufacturer and is within safety limits. See engine manual.

The muffler keeps the noise levels to a minimum and sends the exhaust fumes away from the operator. Do not use the product if the muffler is missing or defective. A defective muffler increases the noise level and the risk of fire. Examine the muffler regularly to make sure that it is attached correctly and not damaged.

Muffler and engine become hot and can cause burns. Do not touch.

Do not modify the engine. To avoid serious injury or death, do not modify the engine in any way. Tampering with the governor setting can lead to a runaway the engine and cause it to operate at unsafe speeds. Never tamper with the factory setting of the engine governor.

FUEL SAFETY

Fuel is highly flammable, and its vapors can explode if ignited. Take precautions when using to reduce the chance of serious personal injury.

When refilling or draining the fuel tank, use an approved fuel storage container while in a clean, well-ventilated outdoor area. Do not smoke, or allow sparks, open flames, or other sources of ignition near the area while adding fuel or operating the unit. Never fill the fuel tank indoors.

Keep grounded conductive objects, such as tools, away from exposed, live electrical parts and connections to avoid sparking or arcing. These events could ignite fumes or vapors.

Always stop the engine and allow it to cool before filling the fuel tank. Never remove the cap of the fuel tank or add fuel while the engine is running or when the engine is hot. Do not operate the machine with known leaks in the fuel system.

Loosen the fuel tank cap slowly to relieve any pressure in the tank.

Never overfill the fuel tank. Fill the tank to no more than 1/2" below the bottom of the filler neck to provide space for expansion as the heat of the engine can cause fuel to expand.

Replace all fuel tank and container caps securely and wipe up spilled fuel. Never operate the unit without the fuel cap securely in place.

Avoid creating a source of ignition for spilled fuel. If fuel is spilled, do not attempt to start the engine but move the machine away from the area of spillage and avoid creating any source of ignition until fuel vapors have dissipated.

Do not start the product if there is fuel or engine oil on the product. Remove the unwanted fuel/oil and let the product dry.

When fuel is spilled on yourself or your clothes, wash your skin and change clothes immediately.

Store fuel in containers specifically designed and approved for this purpose.

Store fuel in a cool, well-ventilated area, safely away from sparks, open flames, or other sources of ignition.

Never store fuel or a machine with fuel in the tank inside a building where fumes may reach a spark, open flame, or any other source of ignition, such as a water heater, furnace, or clothes dryer. Allow the engine to cool before storing it in any enclosure.

Product liability

As referred to in the product liability laws, we are not liable for damages that our product causes if:

- remove the product is incorrectly repaired.
- remove the product is repaired with parts that are not from the manufacturer or not approved by the manufacturer.
- remove the product has an accessory that is not from the manufacturer or not approved by the manufacturer.
- remove the product is not repaired at an approved service center or by an approved authority.

SPECIFIC SAFETY RULES

OPERATION SAFETY

The sole purpose of this lawn mower is to mow grass, while the included blower in YG4761-YF1320 is designed to clear debris, sticks and leaves. Do not use them for any other purpose.

Operate the product only in daylight or in good artificial light. Walk, never run.

Stop the blade when crossing gravel drives, walks, or roads.

A missing or damaged discharge cover can cause blade contact or thrown object injuries.

Many injuries occur as a result of the mower being pulled over the foot during a fall caused by slipping or tripping. Do not hold on to the mower if you are falling; release the handle immediately.

Never pull the mower back toward you while you are walking. If you must back the mower away from a wall or obstruction, first look down and behind to avoid tripping, and then follow these steps:

- a. Step back from the mower to fully extend your arms forward.
- b. Be sure you are well balanced with sure footing.
- c. Pull the mower back slowly, no more than halfway toward you.
- d. Repeat these steps as needed.

Do not touch parts that are hot from operation. Allow parts to cool before attempting to maintain, adjust, or service. Serious burns may result. Engine parts, especially the muffler, become extremely hot during operation. Allow engine and muffler to cool before touching.

Stay alert, watch what you are doing, and use common sense when operating the machine.

Do not overreach. Do not operate the machine while barefoot or when wearing sandals or similar lightweight footwear. Wear protective footwear that will protect your feet and improve your footing on slippery surfaces. Keep proper footing and balance at all times. This enables better control of the machine in unexpected situations.

Do not engage the drive control lever before move the speed control lever to the 1st position for lowest speed.

Do not engage the self-propelled mechanism on machines so equipped while starting the engine.

The blade control lever (engine start/stop control lever) is a safety device. Never attempt to bypass its operation. Doing so makes the safety device inoperative and may result in personal injury through contact with the rotating blade. The blade control lever (engine start/stop control lever) must operate easily in both directions and automatically return to the disengaged position when released.

Never operate the mower on wet grass. Always be sure of your footing. A slip and fall can cause serious personal injury. If you feel you are losing your footing, release The blade control lever (engine start/stop control lever) immediately and the blade will stop rotating within three seconds.

Shut the engine off and wait until the blade comes to a complete stop before removing the grass bagger or unclogging the chute. The cutting blade continues to rotate for a few seconds after the blade control is released. Never place any part of the body in the blade area until you are sure the blade has stopped rotating.

Never operate a mower without a proper trail shield, discharge cover, grass bagger, blade control lever (engine start/stop control lever), or other safety protective devices in place and working. Never operate a mower with damaged safety devices. Failure to do so can result in personal injury.

Never attempt to make a wheel or cutting height adjustment while the engine is running.

When starting the engine with the recoil starter, pull the cord slowly until resistance is felt, then pull rapidly. Rapid retraction of the starter cord (kickback) will pull hand and arm toward the engine faster than you can let go. Broken bones, fractures, bruises, or sprains could result.

If the equipment should start to vibrate abnormally, stop the engine and check immediately for the cause. Vibration is generally a warning of trouble.

Do not touch parts that are hot from operation. Allow parts to cool before attempting to maintain, adjust, or service. Serious burns may result.

The battery pack must be recharged only with the specified charger. A charger that may be suitable for one type of battery may create a risk of fire when used with another battery.

Do not operate with a damaged battery. If the appliance malfunctions, has been dropped, damaged, exposed to outdoor conditions, or submerged in water, please return it to an authorized service center.

Do not leave the appliance connected to the battery. Remove the battery when the appliance is not in use and before servicing.

Secure long hair above shoulder level to prevent entanglement in moving parts.

Turn off all controls before removing battery.

Do not charge the battery outdoors.

Do not use the charger if the cord or plug is damaged, as it may result in a short circuit and electric shock.

Never run the blower without the proper equipment attached. Always ensure the blower tubes are installed.

Do not direct the blower nozzle toward people or pets.

Do not insert objects into the openings. Do not operate if any openings are blocked; ensure they remain clear of dust, lint, hair, or any obstructions that could restrict airflow. Do not allow debris to be ingested into blower intake.

Do not use the blower to disperse chemicals, fertilizers, or any other hazardous substances. Doing so could cause serious harm to the operator or bystanders.

Use extra care when cleaning on stairs or steps.

This manual cannot include all situations that can occur when you use the product. Be careful and use your common sense. Do not operate the product or do maintenance to the product if you are not sure about the situation. Contact Customer Support for assistance.

SLOPE OPERATION

Slopes are a major factor related to slip and fall accidents, which can result in severe injury. Operation on slopes requires extra caution. The machine is heavy and can speed up when going downhill. Be prepared to maintain control of the machine. If you feel uneasy on a slope, do not mow it. If the slope is greater than 15 degrees, do not mow it.

Mow across the face of slopes, never up and down, to avoid loss of control. Exercise extreme caution when changing direction on slopes; watch for holes, ruts, rocks, hidden objects, or bumps that can cause you to slip or trip. Tallgrass can hide obstacles.

Always be sure of your footing. A slip and fall can cause serious personal injury. If you feel you are losing your balance, release the blade control handle immediately and the blade will stop rotating.

Do not mow near drop-offs, ditches, or embankments, because you could lose your footing or balance.

BATTERY SAFETY

Use only approved replacement batteries, other batteries may cause injury or damage to the blower.

Do not crush, drop, or damage battery pack. Do not use a battery pack or charger that has been dropped or received a sharp blow. A damaged battery is subject to explosion. Properly dispose of a dropped or damaged battery immediately.

Batteries can explode in the presence of a source of ignition, such as a pilot light. Keep away from damp or wet locations as it could be a risk of electric shock.

For best results, your battery should be charged in a location where the temperature is more than 43°F but less than 122°F. To reduce the risk of serious personal injury, do not store outside or in vehicles.

Under extreme usage or temperature conditions, battery leakage may occur. Avoid contact with skin. If in contact with skin, rinse

immediately with running clean water for at least 10 minutes to reduce risk of serious personal injury. Seek immediate medical attention

When battery pack is not in use, keep it away from other metal objects like: paper clips, coins, keys, nails, screws, or other small metal objects that can make a connection from one terminal to another. Shorting the Battery Pack terminals together may cause burns or a fire.

Always remove battery from your product when you are assembling parts, making adjustments, cleaning, or when not in use. Removing the battery pack will prevent accidental starting that could cause serious personal injury.

Always remove battery before storing the product. When battery becomes fully charged, unplug the charger from the power supply and remove the battery pack from the charger

Keep battery pack dry, clean, and free from oil and grease. Always use a clean cloth when cleaning.

When transporting or serving product, always remove the battery.

Under abusive conditions, liquid may be ejected from the Battery Pack; avoid contact. If contact accidentally occurs, flush with water. If liquid contacts eyes, additionally seek medical help. Liquid ejected from the battery pack may cause irritation or burns.

CHARGE SAFETY

Do not expose a battery pack or power tool to fire or excessive temperature. Exposure to fire or temperature above 212°F may cause explosion. The battery Charger gets hot during use. The Charger's heat can build up to unsafe levels and create a fire hazard if it does not receive adequate ventilation. Do not place the Charger on a flammable surface. Do not obstruct any vents on the Charger. Especially avoid placing the charger on carpets and rugs; they are not only flammable, but they obstruct vents under the charger. Place the Charger on a stable, solid, nonflammable surface (such as a stable metal workbench or concrete floor) at least 1 foot away from all flammable objects, such as drapes or walls. Keep a fire extinguisher and a smoke detector in the area. Frequently monitor the Charger and Battery Pack while charging.

Charge the battery in a dry area that is protected from the weather. Do not expose the charger to rain. Do not charge the battery in a wet location. Operate the battery charger in temperatures between 43°F and 122°F. In order to reduce the risk of electric shock, use only the charger that is provided by the manufacturer to charge the battery.

Follow all charging instructions and do not charge the battery pack or power tool outside of the temperature range specified in the instructions. Charging improperly or at temperatures outside of the specified range may damage the battery and increase the risk of fire.

Have servicing performed by a qualified repair person using only identical replacement parts. This will ensure that the safety of the product is maintained.

Do not abuse the charger cord. Never carry the charger by the cord. Do not disconnect the charger from the outlet by pulling the charger cord.

Do not use a damaged charger. Replace the charger cords or the charger immediately.

Keep the battery and the charger away from water, heat sources (radiators, heaters, stoves, etc.).

Make sure the battery is secured in the charger.

The battery will become slightly warm to the touch while charging. This is normal and does not indicate a problem.

Do not place the charger and battery pack in an area of extreme heat or cold. They will work best at normal room temperature.

When batteries become fully charged, unplug the charger from the power supply and remove the battery.

Charge indoors only.

Charger plugs must match the outlet. Never modify the plug in any way. Unmodified plugs and matching outlets will reduce risk of electric shock.

Store idle chargers out of the reach of children and do not allow persons unfamiliar with the charger or these instructions to operate the Charger.

Maintain chargers. Check for breakage of parts and any other condition that may affect the Charger's operation. If damaged, have the Charger repaired before use.

Inspect before every use; do not use if parts are loose or damaged.

Use as intended only.

Maintain labels on the Charger. These carry important safety information. If unreadable or missing, contact our service for a replacement.

Keep the battery and charger out of reach of children.

People with pacemakers should consult their physician(s) before use. Electromagnetic fields in close proximity to heart pacemaker could cause pacemaker interference or pacemaker failure. In addition, it could cause electrical shock if the machine is not inspected and maintained properly.

WORK AREA SAFETY

Remove branches, twigs, stones, and other objects from the lawn before you start to cut.

Keep persons, including children, and animals at a safe distance from the work area.

Objects that hit against the cutting equipment can be ejected and cause damage to persons and objects.

Do not use the product in bad weather, including fog, rain, moist or wet locations, strong winds, intense cold, and risk of lightning. Doing work in bad weather can cause fatigue and dangerous conditions, such as slippery surfaces.

Examine your work area to make sure that your control of the product cannot be prevented.

Be careful of roots, stones, twigs, pits, and ditches.

High grass can conceal obstacles.

Operate the product only in daylight or in good artificial light.

Do not operate the product on wet grass.

Be careful when you go near hidden corners and objects that can prevent your view.

Maintain a high level of caution when you reverse or pull the product in your direction.

MAINTENANCE SAFETY

Before cleaning, repairing, or inspecting the product, stop the engine and make certain the blades and all moving parts have stopped. Disconnect the spark plug wire and ground against the engine and remove the battery to prevent unintended starting.

Keep all nuts, bolts, and screws tight to be sure the equipment is in safe working condition.

Check the blade and engine mounting bolts at frequent intervals for proper tightness. Also, visually inspect the blade for damage (e.g., bent, cracked, worn). Replace blade with the Original Equipment Manufacturers (O.E.M.) blade only, listed in this manual. The use of parts that do not meet the original equipment specifications may lead to improper performance and compromise safety!

Mower blades are sharp and can cut. Wrap the blade or wear gloves, and use extra caution when servicing them.

Accessories and changes to the product that are not approved by the manufacturer can cause serious injury or death. Do not alter the product. Always use accessories that are approved by the manufacturer.

Turn off all controls before removing the battery.

Deflectors, guards, and shields decrease the risk of objects being ejected from the product in the direction of the operator or other persons. Make sure the deflectors, guards, and shields are not damaged and that no defects are in view, such as cracks, broken springs, or missing hardware. Replace any damaged or missing parts.

Disconnect the battery pack from the blower before making any adjustments, changing accessories, servicing, moving or storing the unit.

Maintain the blower and its handle in a dry, clean condition, free from oil and grease. Avoid using brake fluids, gasoline, petroleum-based products, or strong solvents for cleaning.

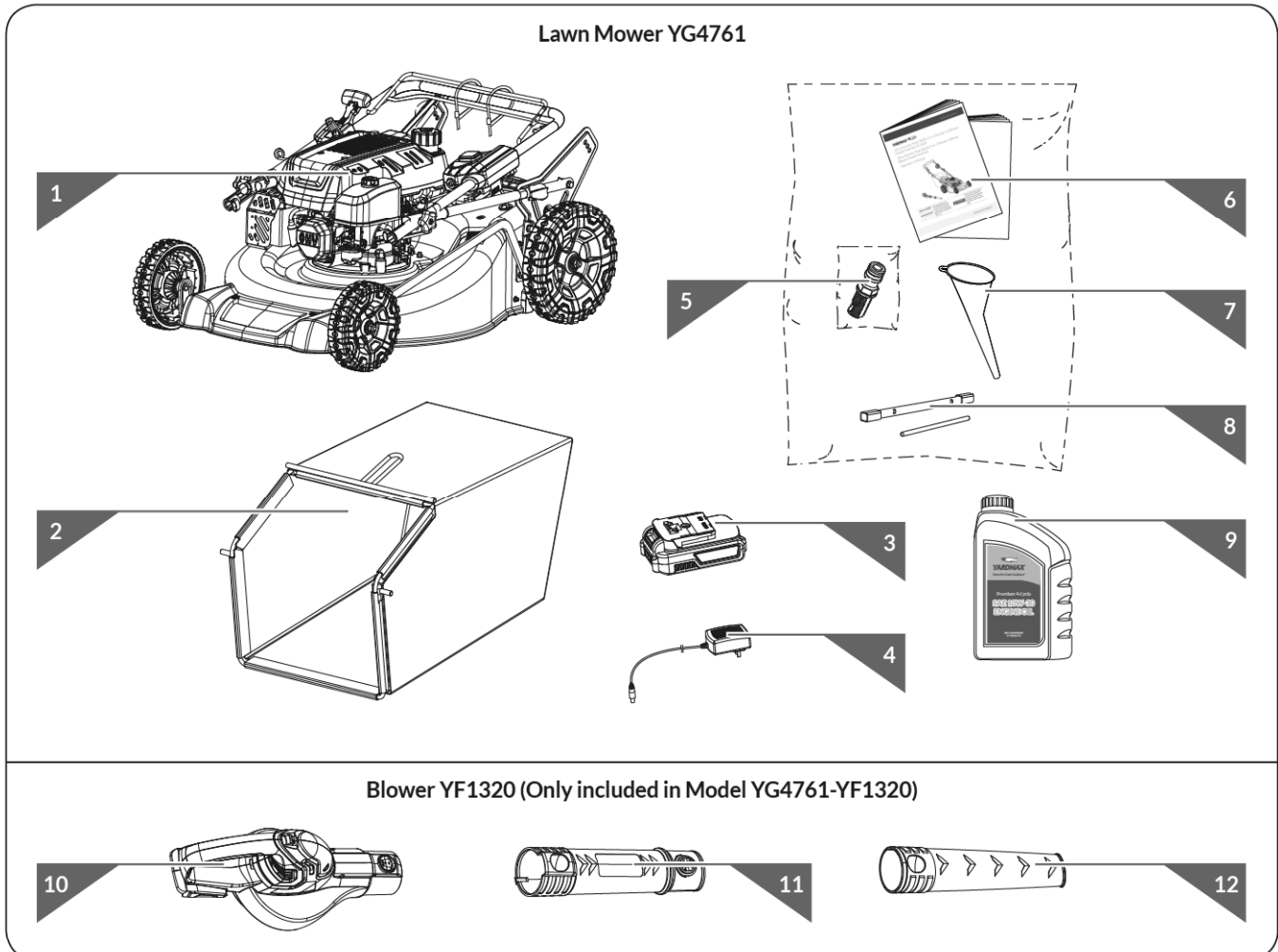
Blower maintenance should only be carried out by trained and qualified repair personnel. And ensure that during blower maintenance, use only identical replacement parts.

Do not dispose of a severely damaged or worn-out battery pack or this blower by incinerating. The battery can explode.

If the maintenance is not done correctly and regularly, the risk of injury and damage to the product increases.

CONTENTS SUPPLIED

Your YARDMAX machine contains the following:



- | | |
|--|--|
| <ul style="list-style-type: none"> 1. Main Machine 2. Grass Catcher 3. Battery 4. Charger 5. Product Adapter 6. Operator's Manual and Engine Manual 7. Funnel | <ul style="list-style-type: none"> 8. Tools for Spark Plug Assembly 9. Engine Oil 10. Main Blower (Included in Model YG4761-YF1320, Not included in Model YG4761) 11. Upper Blower Tube (Included in Model YG4761-YF1320, Not included in Model YG4761) 12. Lower Blower Tube (Included in Model YG4761-YF1320, Not included in Model YG4761) |
|--|--|

ASSEMBLY

LAWN MOWER YG4761 ASSEMBLY

This lawn mower comes assembled and only needs simple unfolding and fastening. Follow the below instructions:

HANDLEBARS

1. Slowly move the folded handlebars back to the working position. (See **Figure 2, illustration 1**)
2. Unlocking the knobs, attached the short studs into any one of the three holes in the handle bracket. (See **Figure 2, illustration 2**)



NOTE

The three holes in the handle bracket are for three different handle heights. Quickly switch between the three holes by unlocking the knob, adjusting and then releasing.

3. Tighten the wing knobs and bolts that connected the upper handle and the lower connecting handlebars. (See **Figure 2, illustration 3**)
4. Cut the cable tie to release the engine start/stop control lever and the drive control lever. (See **Figure 2, illustration 4**)

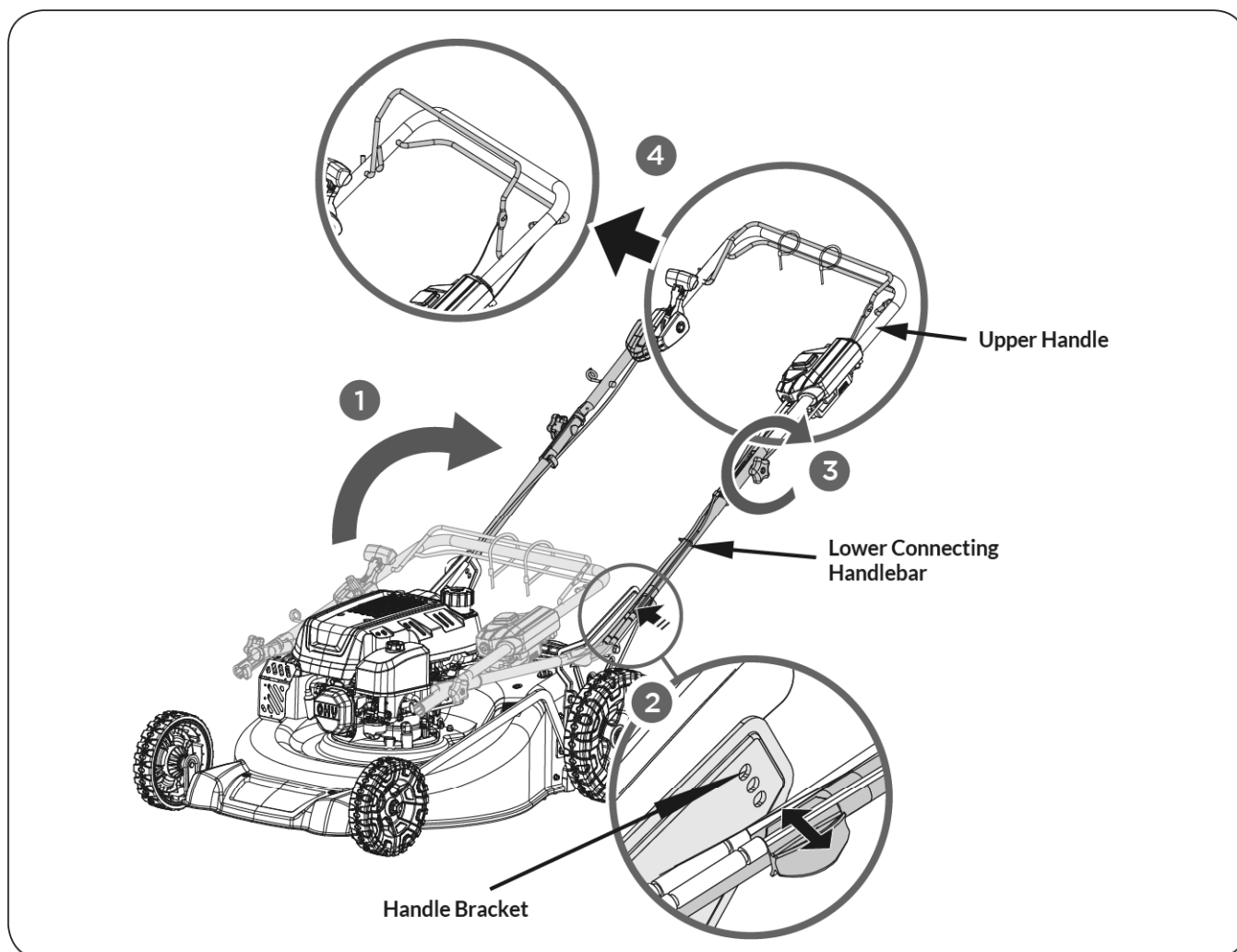


Figure 2

ENGINE STARTER POSITIONING

1. Hold the engine start/stop control lever against the upper handle. (See **Figure 3, Illustration 1**)
2. Slowly pull the starter rope handle from the engine and slip the starter rope into the rope guide. (See **Figure 3, Illustration 2**)

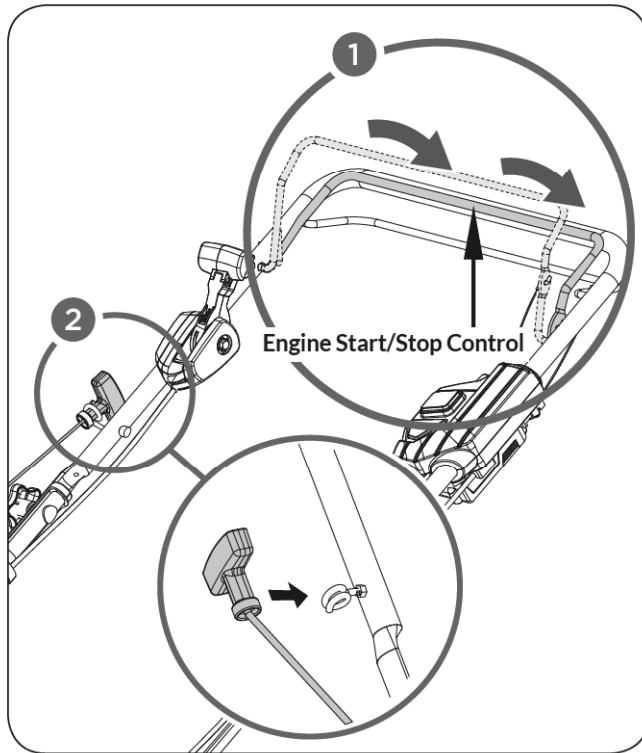


Figure 3

GRASS CATCHER

1. Lift the mower's rear discharge door. (See **Figure 4**)
2. Lift up and pull back the mulch plug to remove it. (See **Figure 5**)
3. Slide the support studs at the front of the grass catcher frame into the V-shaped groove of the left and right handle brackets. Let go of the rear discharge door so that it rests on the grass catcher. (See **Figure 6, illustration 1&2**)

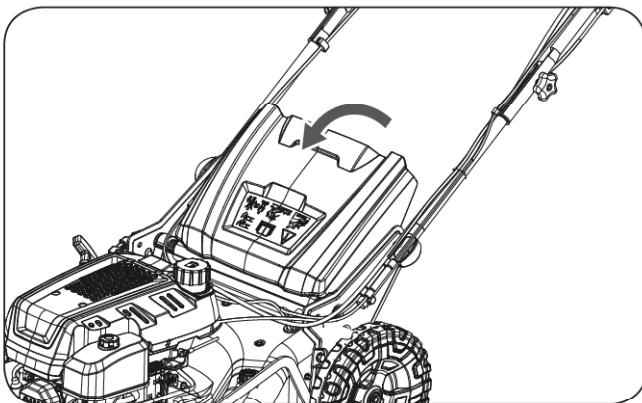


Figure 4

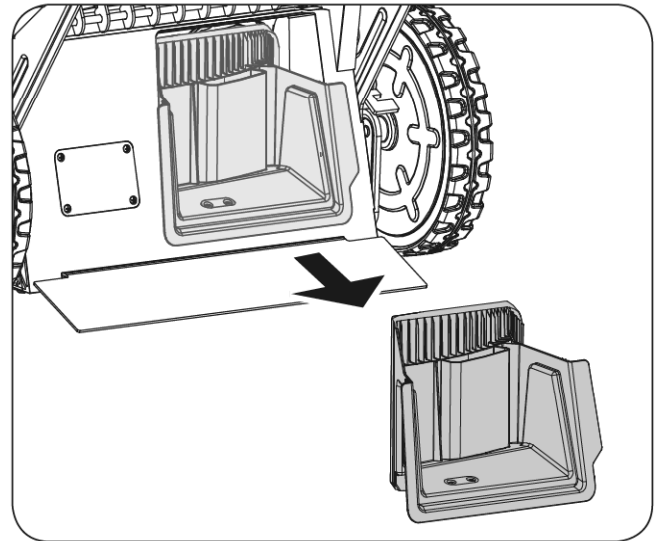


Figure 5

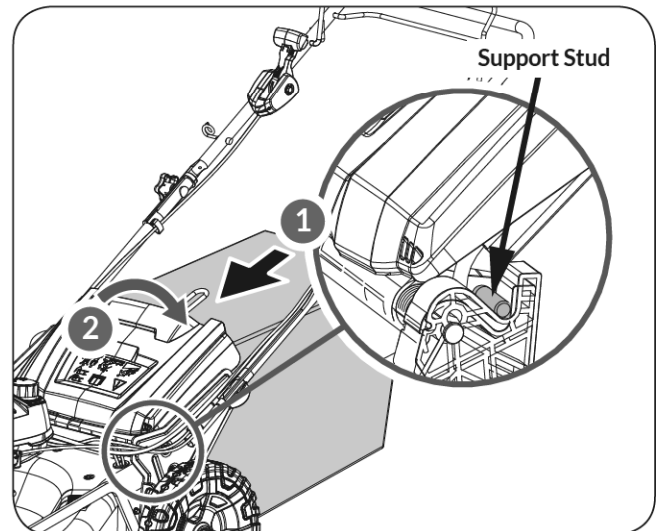


Figure 6

BATTERY

Align the battery pack ribs with the battery port grooves, then insert the packs onto the electric start control assembly. (See **Figure 7**)

NOTE

Charge the battery as described in the charging section under OPERATION

WARNING

If the machine is not going to be used immediately, remove the battery.

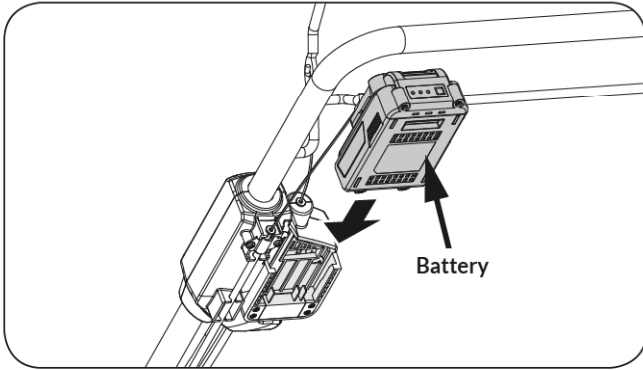


Figure 7



NOTE

Model YG4761-YF1320 only includes single battery that can be used interchangeably between lawn mower and blower.

BLOWER YF1320 ASSEMBLY

This blower was partially assembled at the factory. To assemble your machine follow the below instructions.

TUBE

1. Place the unit on a flat and level surface, align the tab on the blower outlet with the hole on the upper blower tube, then push the Blower outlet into the upper blower tube until the tab snaps firmly into the hole. (See **Figure 8**)

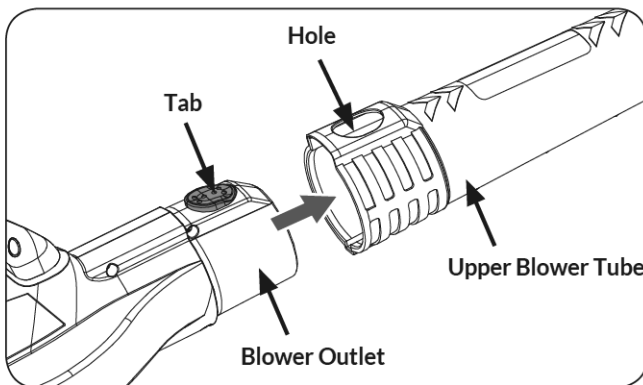


Figure 8

2. Align the tab on the upper blower tube with the hole on the lower blower tube, then push the upper blower tube into the lower blower tube until the tab snaps firmly into the hole. (See **Figure 9**)

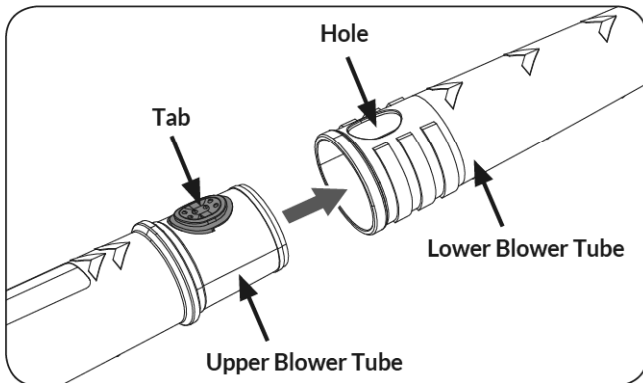


Figure 9

BATTERY



NOTE

Charge the battery as described in the charging section under OPERATION



WARNING

If the machine is not going to be used immediately, remove the battery.

Install the battery pack. When you hear a click, the battery is installed. (See **Figure 10**)

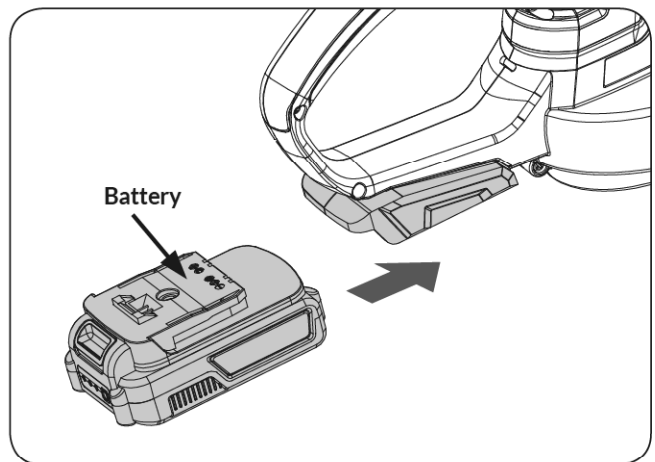


Figure 10

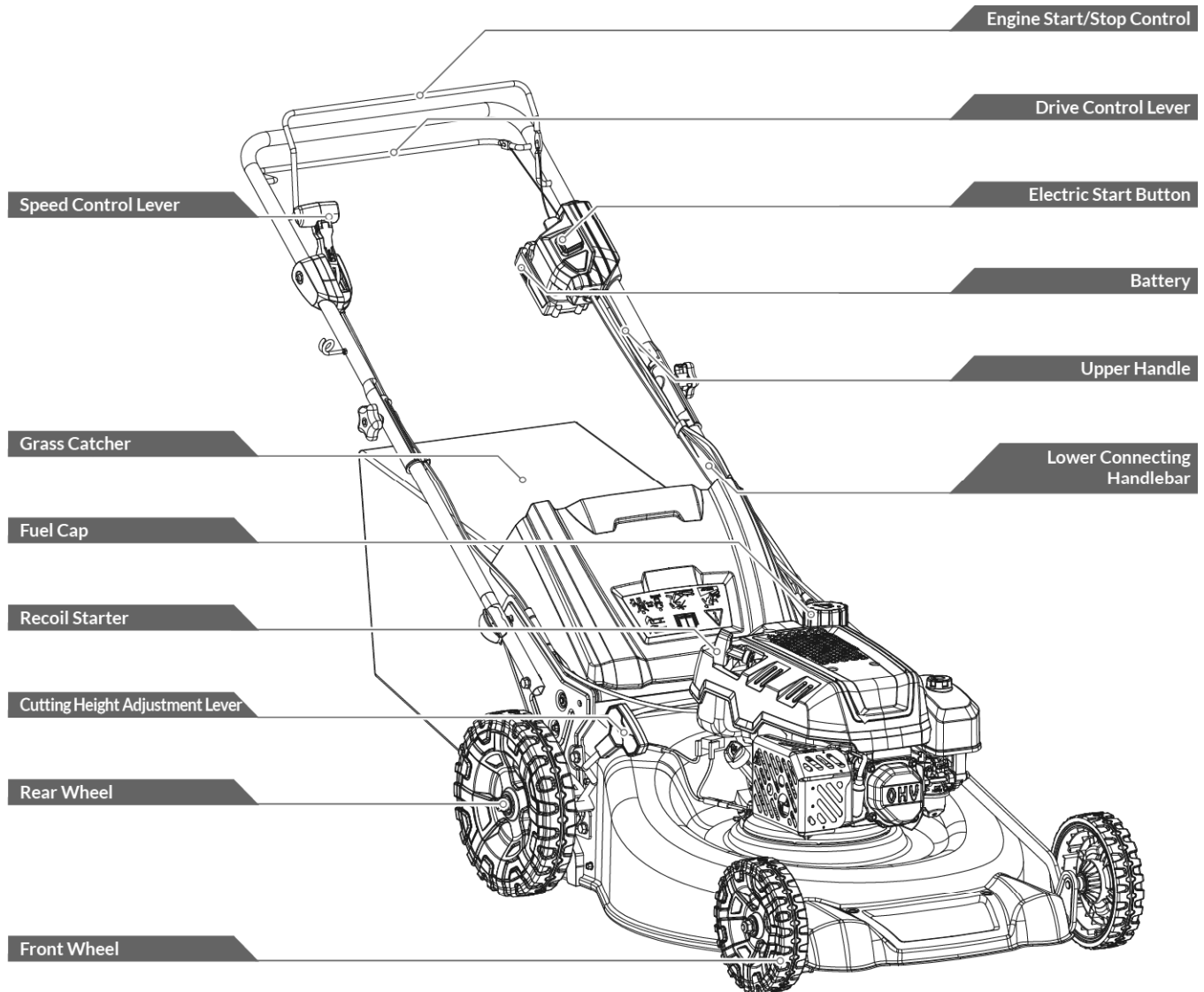


NOTE

Model YG4761-YF1320 only includes single battery that can be used interchangeably between lawn mower and blower.

KNOW YOUR MACHINE

FEATURES AND CONTROLS



Engine Start/Stop Control

- » The engine start/stop control is attached to the upper handle of the mower. Depress and squeeze it against the upper handle to operate the unit. Release it to stop the engine and blade.

! WARNING This engine start/stop control is a safety device. Never attempt to bypass its operation.

Cutting Height Adjustment Lever

- » Move this lever to the desired position to change the cutting height.

YG4761PM05 - 2603

Drive Control Lever

- » The drive control lever is located on the upper handle and is used to engage the drive. Pull the drive control lever against the handlebar to engage the drive, release it to disengage the drive.

Grass Catcher



- » Use the grass catcher to collect the grass clippings while you are operating the mower. Follow the instructions on page 12 in the Assembly section to attach the grass catcher.


Recoil Starter

- The recoil starter is attached to the right upper handle.
- » Stand behind the unit and pull the recoil starter rope to start the unit.

! WARNING *Keep hands and feet away from the chute area on cutting deck. Refer to warning label on the unit.*

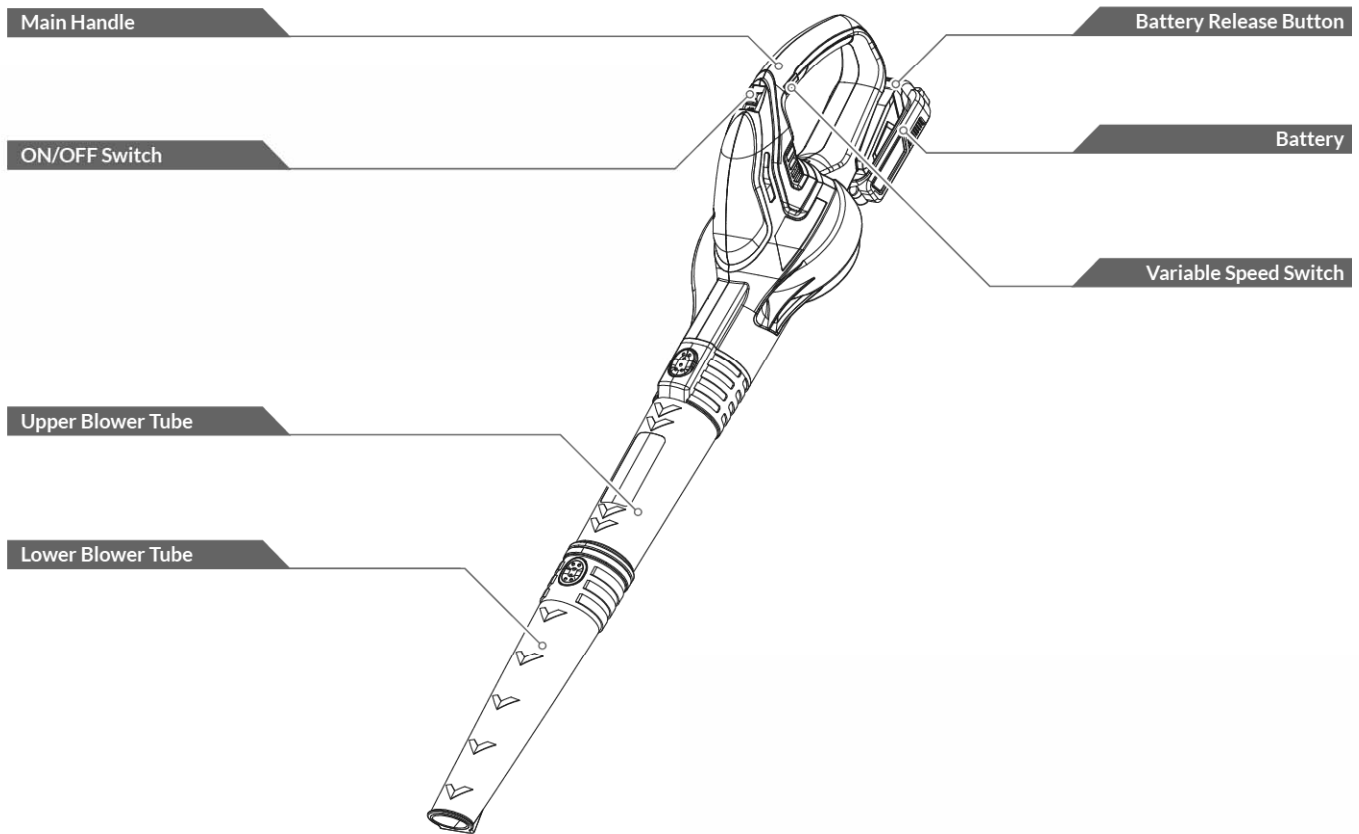
Speed Control Lever

- » Push the speed control hand toward the rabbit () to increase the speed, and push toward the turtle () to decrease the speed.

! WARNING *Before engaging the drive control lever, make sure the speed control is set at the lowest speed position ()*.

Electric Start Button

- » Press the start button to start the engine.



ON/OFF Switch

- » Start or stop the blower.

Variable Speed Switch

- » Adjust the operating speed of the Blower.

Battery Release Button

- » Press to remove the battery pack.

Main Handle

- » Grasp the main handle for proper use of the leaf blower.

Battery

- » Provide the necessary electrical energy to the product.

Upper Blower Tube

- » Focus the airflow by the blower.

Lower Blower Tube

- » To direct and focus the airflow produced by the blower, allowing for efficient blowing and removal of leaves and debris from targeted areas.

OPERATION



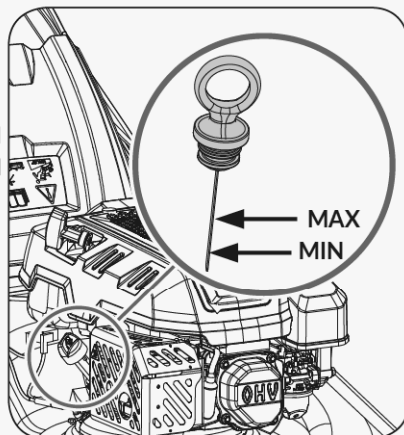
NOTE

This unit is shipped without gasoline or oil in the engine. Be certain to service the engine with gasoline and oil as instructed in the Engine Operator's Manual before starting or running your machine.

ADDING OIL TO THE ENGINE

1. Make sure the lawn mower is on a flat, level surface.

2. Remove the oil fill cap/dipstick to add oil.



3. Using a funnel, add oil up to the **FULL** mark on the dipstick. (See engine manual for oil capacity, oil recommendation, and location of fill cap.)



CAUTION

DO NOT OVERFILL. Check engine oil level daily and add as needed.

ADDING GASOLINE TO THE ENGINE



WARNING

Gasoline is highly flammable and explosive. You can be burned or seriously injured when handling fuel. Use extreme care when handling gasoline.



WARNING

Fill the fuel tank outdoors, never indoors. Gasoline vapors can ignite if they collect inside an enclosure. It can result in explosion.

1. The engine must be off and allowed to cool at least three minutes before adding fuel.

2. Remove the fuel filler cap and fill the tank. (See engine manual for fuel capacity, fuel recommendation, and location of the fuel cap.)



CAUTION

IMPORTANT: DO NOT OVERFILL!

This equipment and/or its engine may include evaporative emissions control system components, required to meet EPA regulations, that will only function properly when the fuel tank has been filled to the recommended level. Overfilling may cause permanent damage to evaporative emissions control system components. Filling to the recommended level ensures a vapor gap required to allow for fuel expansion. Pay close attention while filling the fuel tank to ensure that the recommended fuel level inside the tank is not exceeded. Use a portable gasoline container with an appropriately sized dispensing spout when filling the tank. Do not use a funnel or other device that obstructs the view of the tank filling process.

3. Reinstall the fuel cap and tighten it. Always clean up spilled fuel.

CUTTING HEIGHT ADJUSTMENT

The cutting height can be adjusted to 7 different positions. Push the height adjustment lever forward for a lower cut. Pull the lever backward for a higher cut. Adjust cutting height to suit your requirements. The medium position is best for most lawns.



WARNING

Adjusting the cutting height may bring you into contact with the moving blade, causing serious injury.

To set the cutting height, pull the height adjustment lever outward towards wheel, then, move it forward or backward to meet your desired cutting height. (See **Figure 11**)

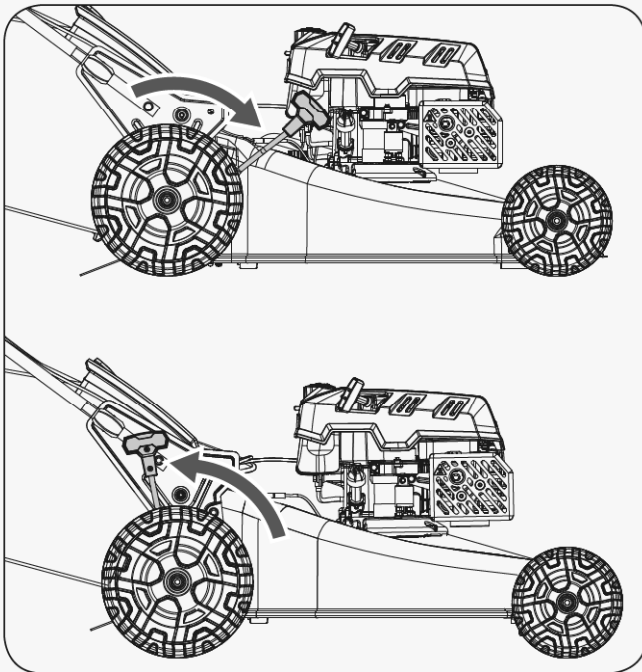


Figure 11

**NOTE**

For rough or uneven lawns, move the height adjustment lever to a higher position. This will prevent you from cutting the grass too close to the ground.

STARTING THE ENGINE**WARNING**

Be sure no one other than the operator is standing near the lawn mower while starting the engine or operating the mower. Never run the engine indoors or in enclosed, poorly ventilated areas. Engine exhaust contains carbon monoxide, an odorless and deadly gas. Keep hands, feet, hair, and loose clothing away from any moving parts on the engine and lawn mower.

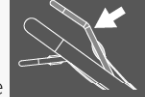
Refer to the Engine Operator's Manual for detailed instructions on starting and stopping the engine.

Electric Start

1. Install the battery pack.

2. Standing behind the mower, squeeze the engine start/stop

Press / Appuyer



control lever against the handle

Press
& Hold /
Appuyer
& Maintenir

3. Press the Electric Start Button to start the engine.

**CAUTION**

The battery features an overheat protection system. If the temperature exceeds 149°F, discharge will halt and the power indicator will turn off. Allow the battery to cool before resuming use.

Recoil Start

1. Standing behind the mower, squeeze the engine start/stop control lever against upper handle.
2. Grip the starter handle and pull lightly until you feel resistance. Then, briskly pull the starter handle up and out at a 30 degree angle.

BLADE CONTROL**WARNING**

Be sure no one other than the operator is standing near the lawn mower while starting the engine or operating the mower. Never run the engine indoors or in enclosed, poorly ventilated areas. Engine exhaust contains carbon monoxide, an odorless and deadly gas. Keep hands, feet, hair, and loose clothing away from any moving parts on the engine and lawn mower.

Refer to the Engine Operator's Manual for detailed instructions on starting and stopping the engine.

1. Standing behind the mower, squeeze the engine start/stop control lever against the upper handle.

**WARNING**

Rapid retraction of the starter cord (kickback) will pull your hand and arm toward the engine faster than you can let go. Broken bones, fractures, bruises, or sprains could result.

2. Holding the engine start/stop control lever firmly, press the electric start button 2-5 seconds to start the engine or grasp the recoil starter handle and pull the rope out with a rapid, continuous, full arm stroke. Keeping a firm grip on the starter handle, let the rope rewind slowly, and repeat steps as needed.

SELF PROPELLED



NOTE

Once the engine is running and while using the mower, continue holding the engine start/stop control lever against the upper handle.



WARNING

Before engaging the drive control lever, make sure the speed control is set at the lowest speed position (🐢).

1. Pull the drive control lever in the direction of the handlebar.
2. Push the speed control hand toward the rabbit (🐰) to increase the speed, and push toward the turtle (🐢) to decrease the speed.
3. Release the drive control lever to disengage the drive, for example when you go near an obstacle. (See **Figure 12**)

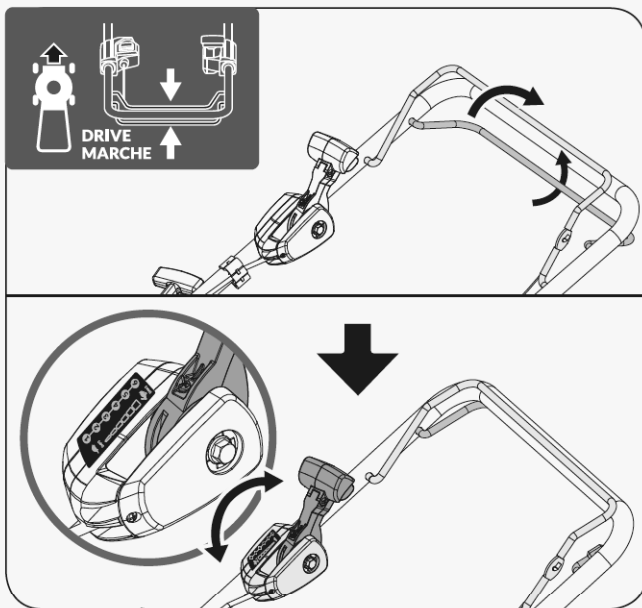


Figure 12

TURNING ATTENTION

For smoother turning, it's advised to release the drive control lever before making a turn. (See **Figure 13**)

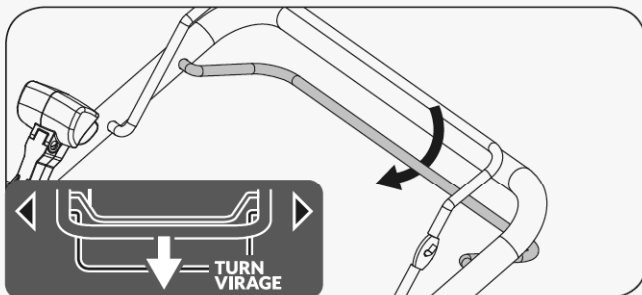


Figure 13

3 HANDLE HEIGHTS ADJUSTABLE

The three holes in the handle bracket are for three different handle heights. Quickly switch between the three holes by unlocking the knob, adjusting, and then releasing. (See **Figure 14**)

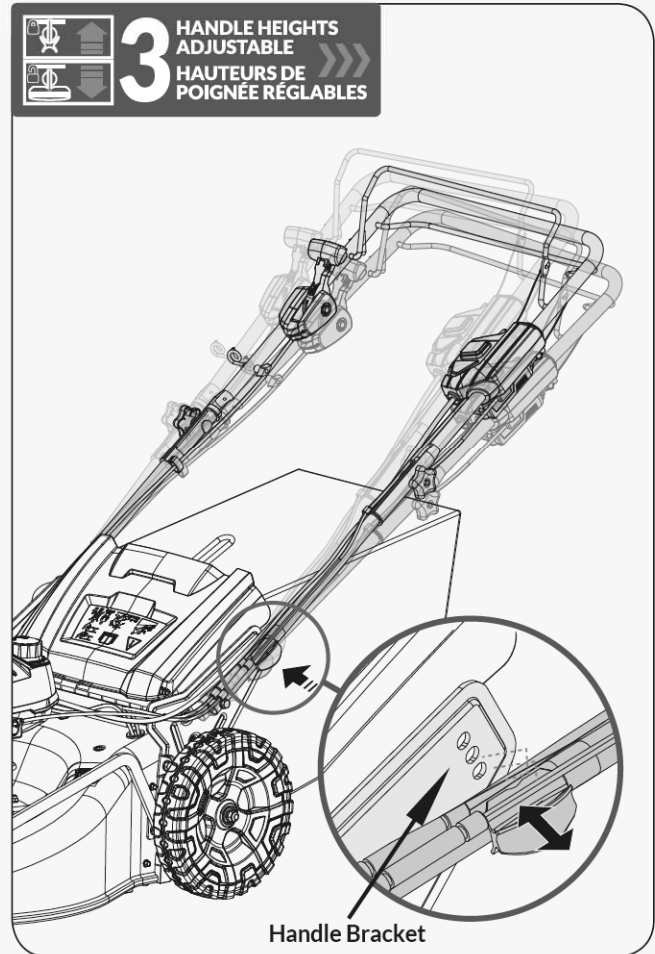
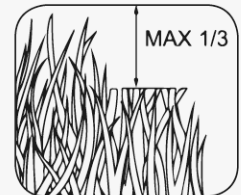


Figure 14

BASIC CUTTING PROCEDURE

- Always cut with a sharp blade for the best results. A blade that is not sharp cuts unevenly and lets the grass become yellow on the surface of the cut.
- Do not cut more than 1/3 of the length of the grass. This especially applies during dry periods. Cut first with the cutting height set high. Then examine the result and lower it to an applicable height. If the grass is too long, operate slowly and cut two times if necessary.
- For very heavy cutting, decrease the width of the cut by making an overlap of the cut path and cutting slowly.
- Cut in different directions each time to prevent stripes on the lawn.
- Regularly hose the grass catcher with water and let dry before use. Pores in cloth grass catchers can become filled with dirt and dust with the operation. The grass catcher will then collect less grass.



- The rear discharging mode of your product is the best cutting mode. If you try to cut a large quantity of grass and the product does not operate correctly, or has decreased operation time, change the product to rear discharging mode for better performance and operation time.

USING AS MULCHER

For mulching grass, ensure the mulch plug is installed on the product. For effective mulching, do not cut wet grass. If the grass has been allowed to grow in excess of four inches, mulching is not recommended. (See **Figure 15**)

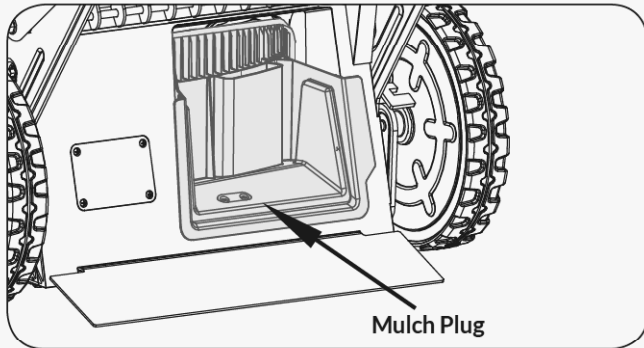


Figure 15

GRASS BAG COLLECTION MODE

Open the rear discharge door, remove the mulch plug and install the grass catcher. (See **Figure 16 & 17 & 18**)

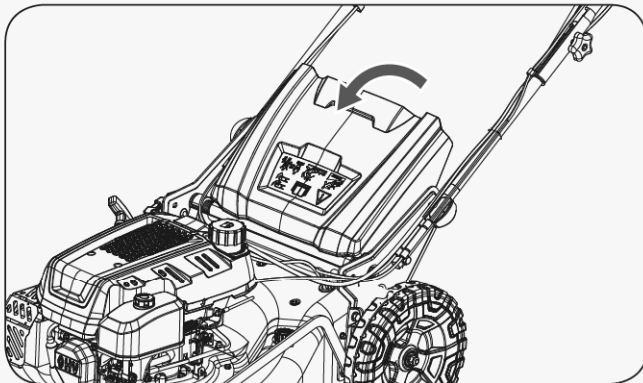


Figure 16

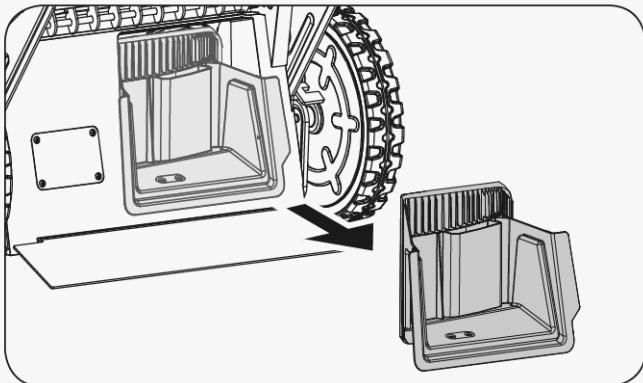


Figure 17

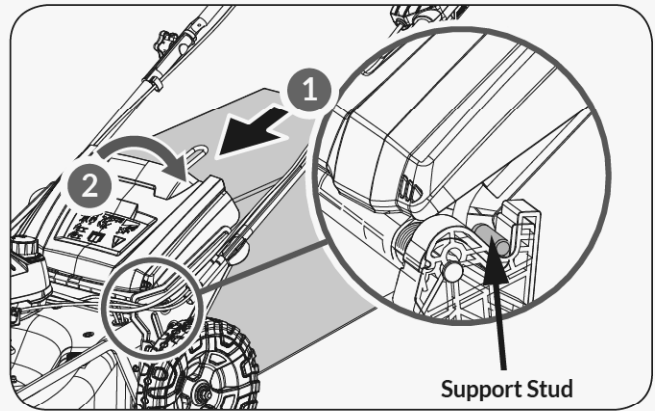


Figure 18

REAR DISCHARGE MODE

Remove both the mulch plug and grass catcher to enable rear discharge mode. (See **Figure 19 & 20 & 21**)

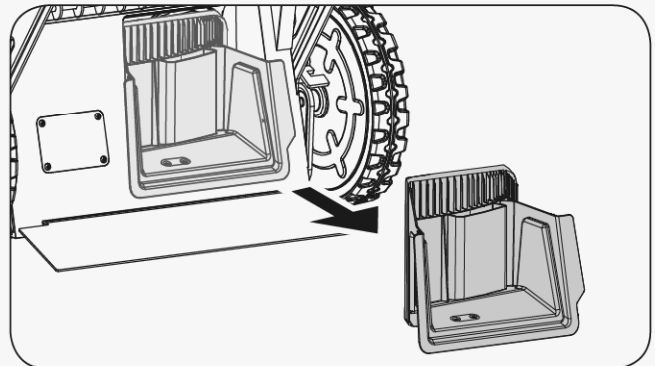


Figure 19

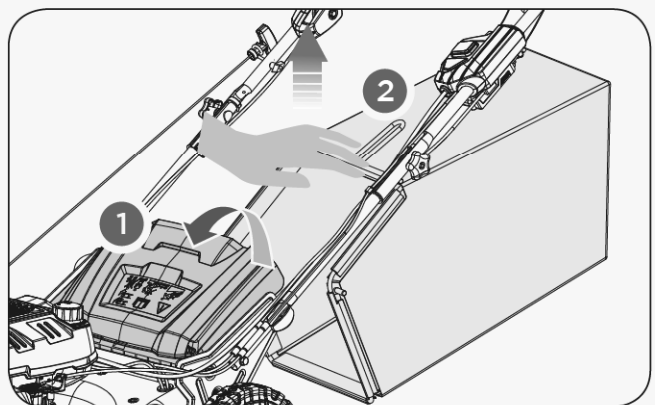


Figure 20

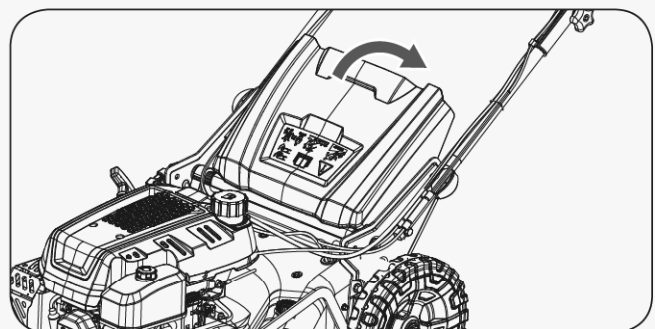


Figure 21

STOPPING THE MACHINE

Release the engine start/stop control lever to stop the engine and blade. (See **Figure 22**)

! WARNING Wait for the blade to stop completely before performing any work on the mower.

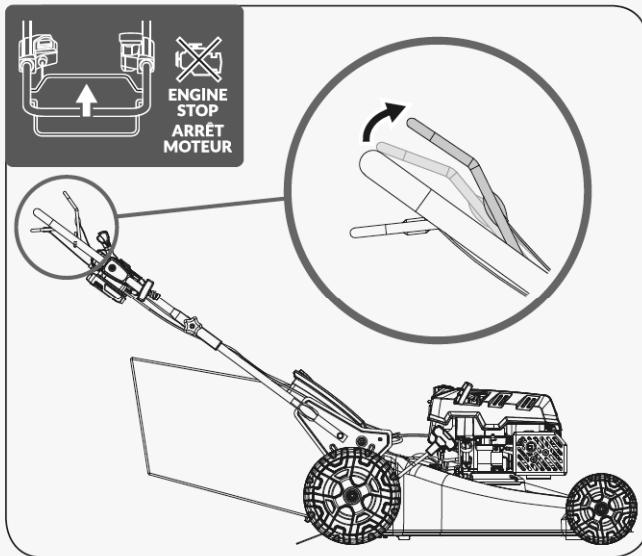


Figure 22

EMPTYING THE GRASS CATCHER

! CAUTION Do not drag the bag when you empty the grass catcher to prevent wear.

1. Flip the rear discharge door up. (See **Figure 23, illustration 1**)
2. Lift the grass catcher with the frame handle. (See **Figure 23, illustration 2**)

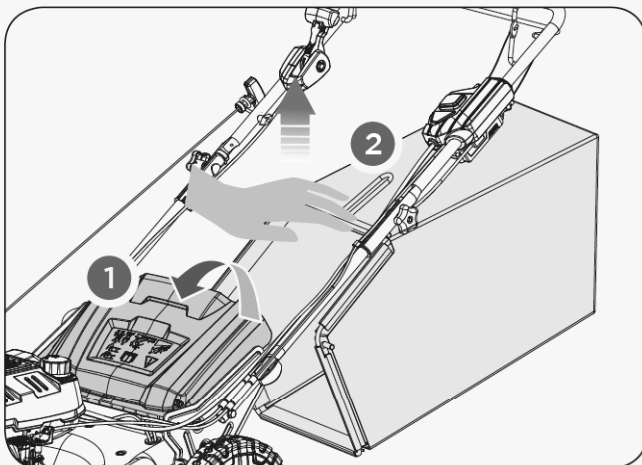


Figure 23

3. Remove grass clippings from the grass catcher from below the handle.
4. Empty grass clippings from the bag with the frame handle.

CHARGING THE BATTERY

! WARNING Read the ENTIRE IMPORTANT SAFETY INFORMATION section at the beginning of this manual including all text under subheadings therein before charging the battery.

! CAUTION The battery pack is not fully charged when purchased. Before using the machine for the first time, place the battery pack in the charger and charge it until the LED display indicates the battery pack is fully charged.

1. Place the Battery Pack and Charger on a dry fireproof surface in a room where the temperature is from 43°F-122°F.

! CAUTION If recharging a newly spent Battery Pack, allow it to cool completely before charging.

2. Examine the Battery Pack. It must be undamaged. Do not charge a cracked, open, or leaking Battery Pack, or charge a non-recommended type of Battery Pack.
3. The YARDMAX Battery Pack's terminals are designed to fit the adapted YARDMAX Charger specifically. If the Battery Pack does not fit the Charger properly, do not try to insert it or force it. Look for the appropriate battery charger.
4. Plug the Charger directly into a grounded, 120VAC, 60Hz receptacle.
5. Insert the connector into the battery pack. The indicator on the battery pack will blink green while the battery pack is charging.
6. While charging, the Battery Pack and Charger may become warm to the touch. This is normal and does not indicate a problem.

! CAUTION The battery pack is equipped with an overheat protection system. When the temperature reaches 122°F, charging will stop, and the indicator light will turn off. Please wait for the battery pack to cool down.

7. The Indicator will light up constant green when the Battery Pack is charged.
8. Allow the Battery Pack to cool completely before using it.

9. Unplug the Charger when not in use.

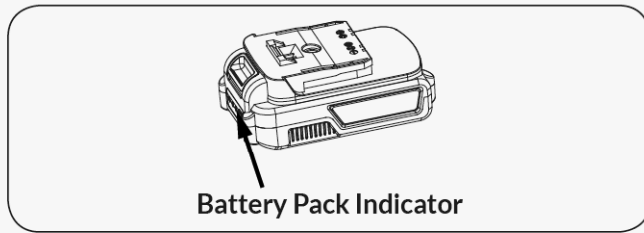


Figure 24

Charger

Specification of Charger	
Charger Model#	XZ2150-1500G1
Input Rating	120VAC / 60Hz / 1A
Output Rating	21.5V / 1.5A
Operating Temperature	43°F-122°F

Battery Pack Indicator

Light Indicator Definition					
Discharge Indication	Voltage range	LED 1	LED 2	LED 3	Press the switch or turn it on and it will light up. Release the switch for 3 seconds and it will turn off
	~17.5	ON	OFF	OFF	
	17.5~19	ON	ON	OFF	
	20~	ON	ON	ON	
Charging High Temperature Alarm	Led 1, Led2, Led 3 turn off				
Battery Pack High Temperature Alarm	LED1, LED2, LED3 flash simultaneously to turn off				
Sleep Function	The protective board should be left in a non-discharging and non-charging state for 3 minutes to enter sleep mode.				

BLOWER STARTING

1. Check and ensure the battery is properly installed.
2. Hold Blower in proper position- one hand on the main handle, with the Tube several inches off the ground. (See **Figure 25**)

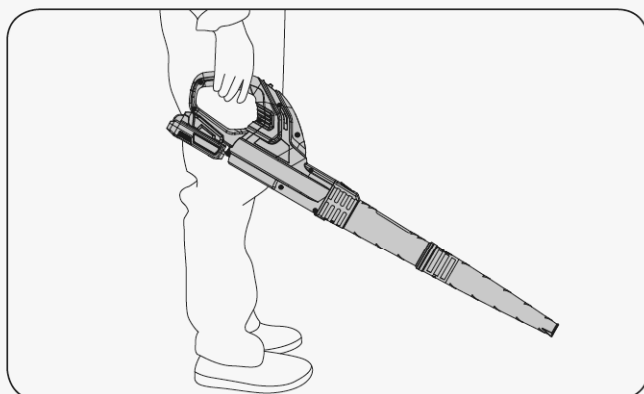


Figure 25

3. Push the toggle switch forward to start the blower. (See **Figure 26**)

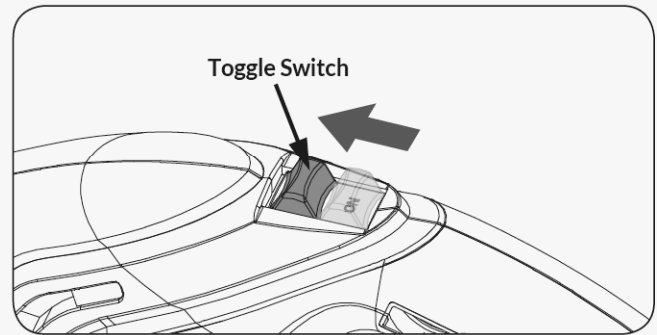


Figure 26

CAUTION The battery features an overheat protection system. If the temperature exceeds 149°F, discharge will halt and the power indicator will turn off. Allow the battery to cool before resuming use.

4. 7 adjustable speeds. Rotate the speed control knob to the right to gradually increase the blower speed. (See **Figure 27**)

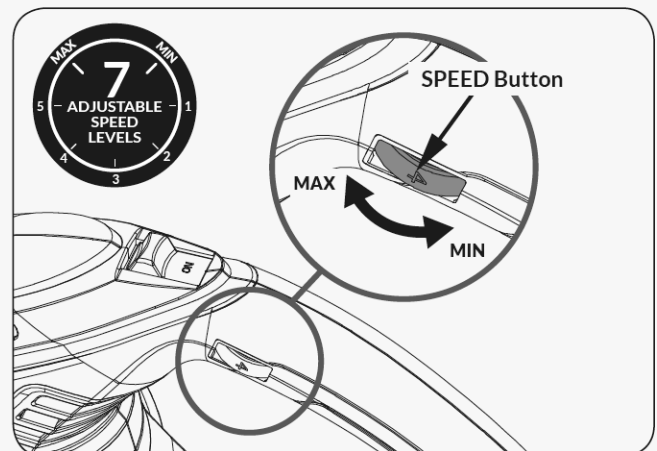


Figure 27

5. Sweep from side to side.
6. Move the toggle switch backward to turn off the blower. (See **Figure 28**)

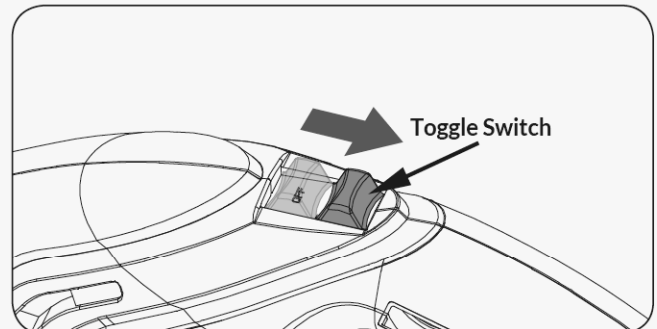


Figure 28

7. When finished, to prevent accidents, you need to:
Press the Battery Release Button and remove the battery pack.
(See **Figure 29**)

Wipe external surfaces of the appliance with clean cloth. Store in an indoor dry area out of reach of children.

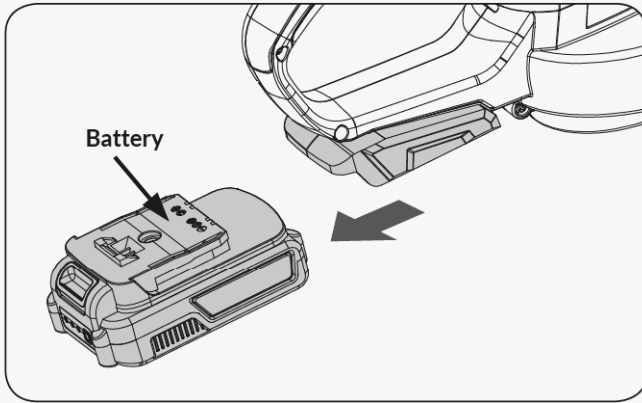


Figure 29

MAINTENANCE

MAINTENANCE SCHEDULE

In the maintenance schedule, you can see which parts of your machine require maintenance, and at which intervals it should take place. The intervals are calculated based on the average use of the machine and may differ depending on the rate of your personal use.

! WARNING Always stop the engine, allow the engine to cool, disconnect spark plug, and ground against the engine before performing any type of maintenance on your machine.

LAWN MOWER YG4761 MAINENANCE

! WARNING Before performing any maintenance on the lawn mower, remove the battery pack.

Interval	Item	Service
Before each use	<ol style="list-style-type: none"> Blade Bolts and nuts 	<ol style="list-style-type: none"> Check or replace Check or tighten
Engine fails to start	<ol style="list-style-type: none"> Engine oil level Loose or missing hardware Air cleaner Unit and engine Bolts and nuts 	<ol style="list-style-type: none"> Check Tighten or replace Check Clean Check or tighten
1st Month or 10 hours	<ol style="list-style-type: none"> Engine oil 	<ol style="list-style-type: none"> Change
Annually or 25 hours	<ol style="list-style-type: none"> Air cleaner * Control linkages/pivots and wheels Underside of mower deck 	<ol style="list-style-type: none"> Clean Lube with light oil Clean
Every 2 months or 20 hours	<ol style="list-style-type: none"> Belt Cover 	<ol style="list-style-type: none"> Clean
Every 3 months or 30 hours	<ol style="list-style-type: none"> Engine oil 	<ol style="list-style-type: none"> Change
Every 6 months or 50 hours	<ol style="list-style-type: none"> Spark plug Air Cleaner 	<ol style="list-style-type: none"> Replace Replace
Before Storage	<ol style="list-style-type: none"> Fuel system 	<ol style="list-style-type: none"> Run engine until it stops from lack of fuel, or add stabilizer to a full tank of fresh fuel prior to storage.

*Clean more often under dusty conditions or when airborne debris is present. Replace the air cleaner if very dirty.

GENERAL RECOMMENDATIONS

- Always observe safety rules when performing any maintenance.
- The warranty on this lawn mower does not cover items that have been subjected to operator abuse or negligence. To receive full value from the warranty, an operator must maintain the lawn mower as instructed here.
- Changing engine-governed speed voids the engine warranty.
- All adjustments should be checked at least once each season.
- Periodically check all fasteners and make sure these are tight.

LUBRICATION

1. Lubricate pivot points on the blade and drive controls at least once a season with light oil. These controls must operate freely in both directions. (See **Figure 30**)

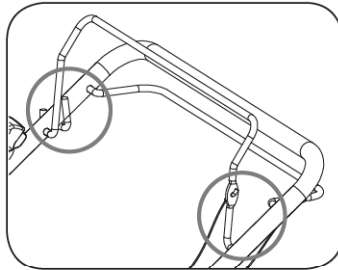


Figure 30

2. The transmission is pre-lubricated and sealed at the factory and does not require lubrication.
3. Follow the Engine Operator's Manual for lubrication schedule and instructions for engine lubrication.

DECK WASH

Your mower's deck is equipped with a female adapter on its surface as part of its deck wash system.

Use the deck wash to rinse grass clippings from the deck's underside and prevent the buildup of corrosive chemicals. Complete the following steps after each mowing:

1. Push the mower to a level, clear location on your lawn, near enough for your garden hose to reach.
2. Remove the grass catcher if attached. Close mulcher door.

NOTE Water, grass and other debris will drain from beneath the mower housing during the washout process.

WARNING Be sure the garden hose is not routed under the lawn mower housing or entangled in the wheels.

3. Attach the garden hose with a male adapter (user supplied) to the female adapter on your deck's surface. (See **Figure 31**).

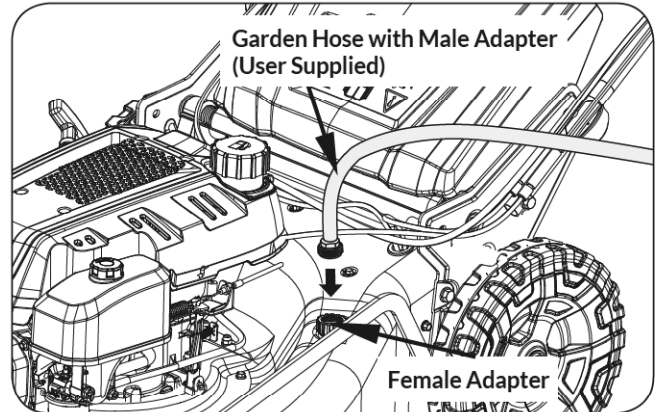


Figure 31

If your garden hose connector is a quick coupler type, follow the below steps to connect:

Remove the female adapter that is originally equipped on the deck, and replace it with the product adapter in the hardware plastic bag. Attach the garden hose with the quick coupler (user supplied) to the product adapter on your deck's surface. (See **Figure 32**).

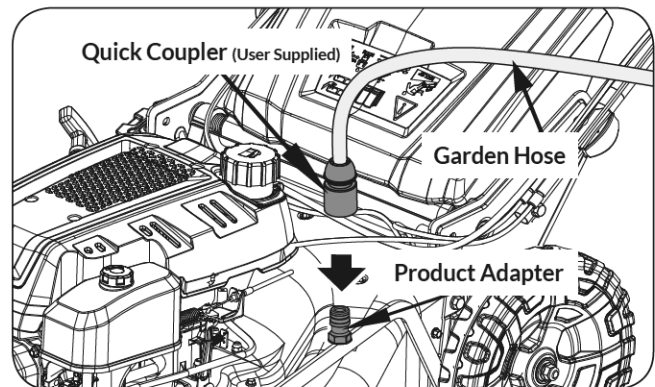


Figure 32

4. Turn on the water supply and check for leaks.
5. If no leaks are present, start the engine (as described in the Operation section of this manual) and let the engine run until the underside of the lawn mower is clean.

WARNING Do not engage the drive system during the washout process.

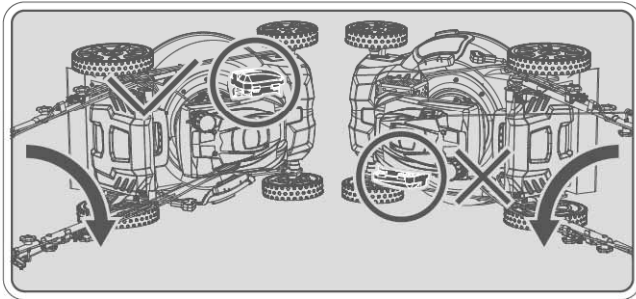
6. Run the engine for a minimum of two minutes, allowing the underside of the cutting deck to thoroughly rinse.
7. Release the engine start/stop control lever to stop the engine and blade.

WARNING Do not remove hose from fitting while engine is running. Water in engine can result in shortened engine life.

- Turn the water off and detach the quick coupler or adapter.
- After cleaning your deck, restart the mower. Keep the engine and blade running for a minimum of two minutes, allowing the underside of the cutting deck to thoroughly dry.

CLEANING THE BELT COVER

- Tip the machine onto its side with the air filter and carburetor facing up.



! WARNING Always keep the air filter and carburetor facing up whenever needed to tip the machine onto its side.

- Remove the blade. (See **Figure 33**)

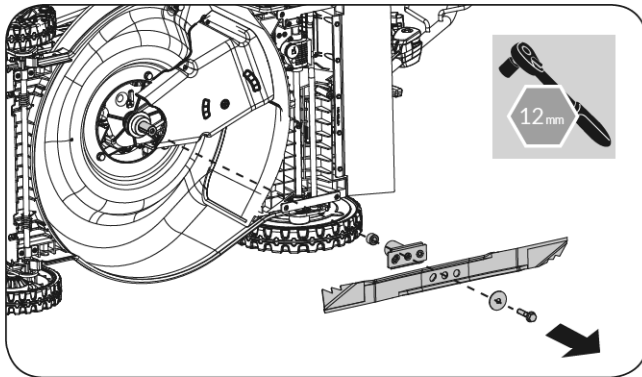


Figure 33

- Remove the belt cover. (See **Figure 34**)

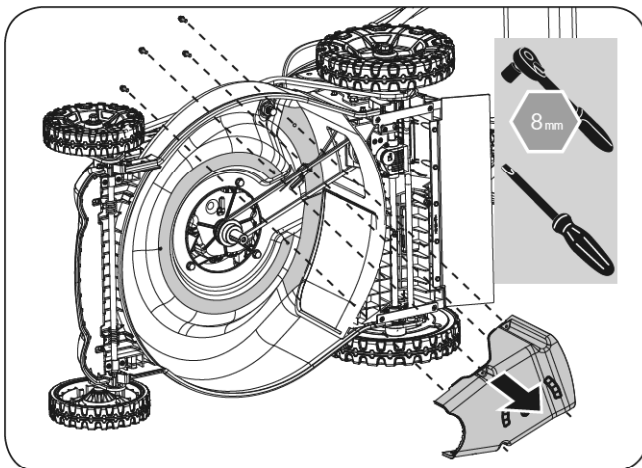


Figure 34

- Use tools to clean soil and debris from the belt cover and around the tension roller plate.

ENGINE CARE

A list of key engine maintenance jobs required for good performance by the mower is listed below. Follow the Engine Operator's Manual for a detailed list and instructions.

- Maintain oil level as instructed in Engine Operator's Manual.
- Service air cleaner every 25 hours of use under normal conditions. Clean every few hours under extremely dusty conditions. Poor engine performance and flooding usually indicate that the air cleaner should be serviced. To service the air cleaner, refer to the Engine Operator's Manual.
- Clean spark plugs and reset the gap once a season. Spark plug replacement is recommended at the start of each mowing season. Check Engine Operator's Manual for correct plug type and gap specifications.
- Clean the engine regularly with a cloth or brush. Keep the top of the engine clean to permit proper air circulation. Remove all grass, dirt, and combustible debris from the muffler area.
- Engines stored between 30 and 90 days need to be treated with a gasoline stabilizer to prevent deterioration and gum from forming in the fuel system or on essential carburetor parts.

CLEANING THE GRASS CATCHER

Pores in cloth grass catchers can become filled with dirt and dust during operation. This causes the grass catcher to collect less grass. To prevent this, regularly hose the grass catcher off with water and let it dry before using.

- Examine the grass catcher frequently for wear or deterioration. Replace if necessary.

CHANGING THE ENGINE OIL

For more details about when to change the oil, see the Maintenance Schedule on page 19. To change the oil, use the following procedure.

! NOTE Run the engine for a few minutes before changing the oil to warm it. Warm oil flows better and carries more contaminants. We recommend that you use API SERVICE Category SJ class or higher oil.

- Move the machine to a level surface.
- Refer to the maintenance safety section on page 9 before doing the oil change.
- Remove the dipstick by rotating the cap counterclockwise and pulling it out. (See **Figure 35**)

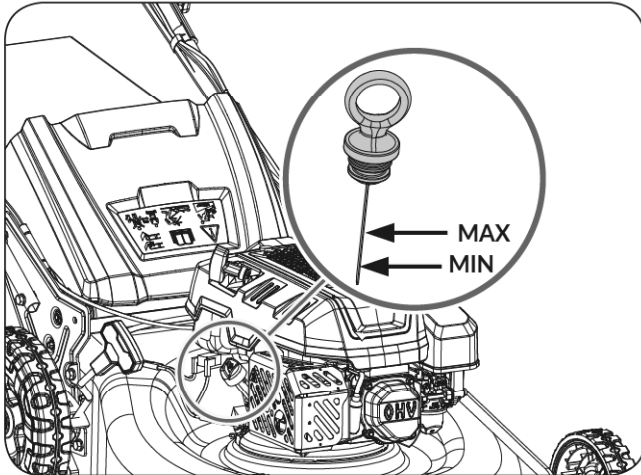
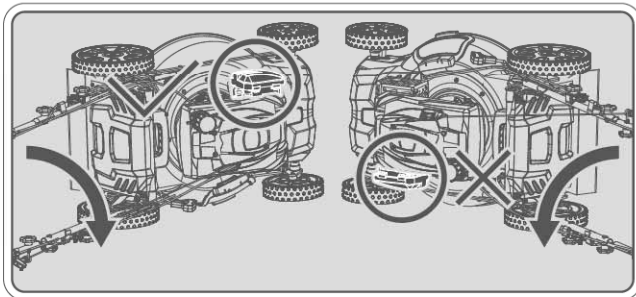


Figure 35

4. Tip the machine onto its side (so that the air filter is up) to drain the used oil from the oil-fill tube. (See **Figure 36**)



! WARNING Always keep the air filter and carburetor facing up whenever needed to tip the machine onto its side.

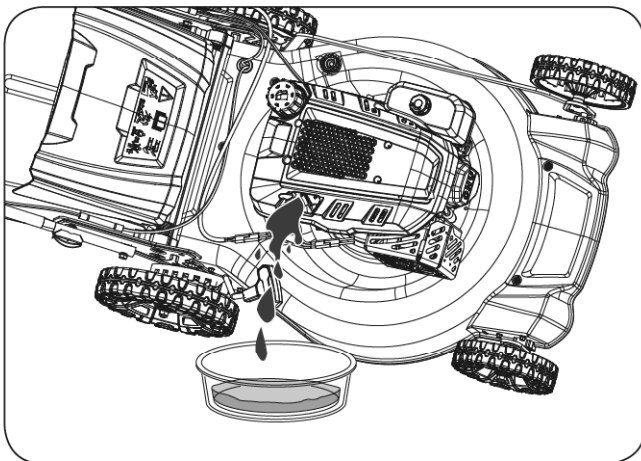


Figure 36

5. After draining the used oil, return the machine to the operating position.
6. Carefully pour about 3/4 of the engine capacity of oil into the oil-fill tube.

7. Wait 3 minutes for the oil to settle in the engine.
8. Wipe the dipstick clean with a clean cloth.
9. Insert the dipstick into the oil-fill tube, then remove the dipstick.
10. Read the oil level on the dipstick. (See **Figure 35**)

- If the oil level on the dipstick is too low, carefully pour a small amount of oil into the oil-fill tube, wait 3 minutes, and repeat steps 8 through 10 until the oil level on the dipstick is correct.
- If the oil level on the dipstick is too high, drain the excess oil until the oil level on the dipstick is correct.

! WARNING If the oil level in the engine is too low or too high and you run the engine, you may damage the engine.

11. Install the dipstick into the oil-fill tube securely.
12. Recycle the used oil properly.

BLADE CARE

! WARNING Always stop the engine and remove the battery before you do work on the blade. The blade continues to rotate after the throttle has been released. Make sure that the blade is fully stopped and disconnect the spark plug cap before you start work.

! WARNING The blade is sharp; contact with the blade can result in serious personal injury. Wear gloves when servicing the blade.

1. Disconnect spark plug wire from spark plug and place wire where it cannot come in contact with plug. (See **Figure 37**)

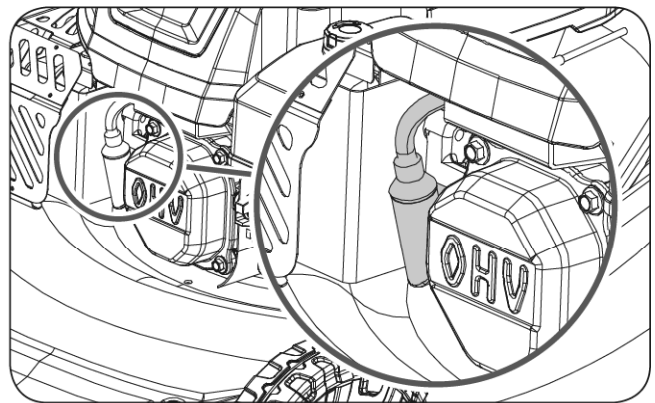
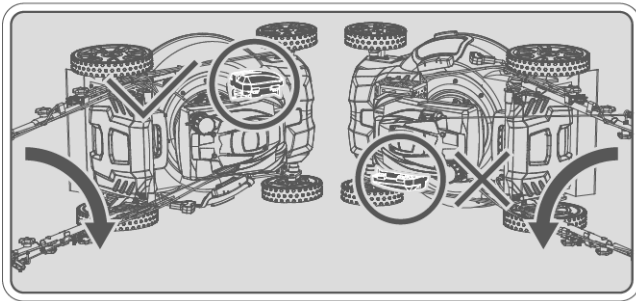


Figure 37

2. Examine the blade whenever you run out of fuel. If the blade is damaged or cracked, replace it immediately. If the blade edge is dull or nicked, have it sharpened and balanced, or replace it.

3. Tip the machine onto its side with the air filter and carburetor facing up. Use a block of wood to hold the blade steady. (See **Figure 38**)



! WARNING Always keep the air filter and carburetor facing up whenever needed to tip the machine onto its side.

! NOTE You will need a torque wrench to install the blade properly.

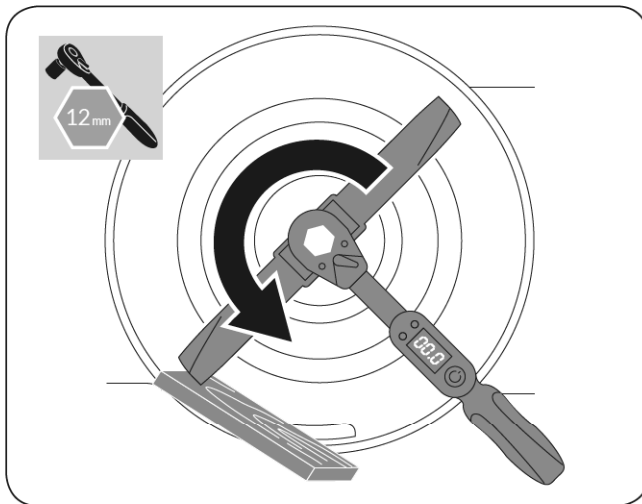


Figure 38

4. Remove the blade, saving all mounting hardware. Examine the blade support and blade bolt to see if there is damage. Examine the motor shaft to make sure that it is not bent. (See **Figure 39**)

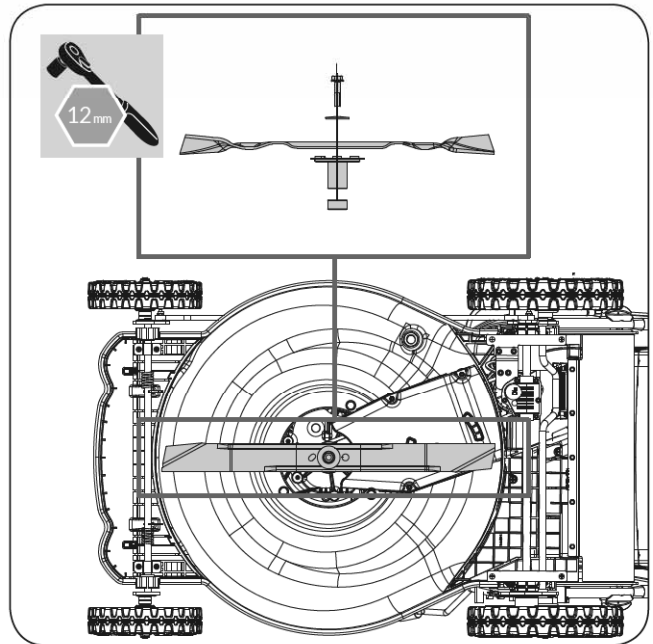


Figure 39

! CAUTION Use only a replacement blade approved by the manufacturer of your mower. Using a blade not approved by the manufacturer of your mower is hazardous, could damage your mower and void your warranty.

! WARNING Position the curved ends of the blade to point toward the machine housing.

5. Install the new blade. Use a block of wood between the blade and lawn mower housing and tighten the blade bolt, turning clockwise. The recommended tightening torque is 45-50 Nm. (33.3-36.9 ft.-lb). (See **Figure 40**)

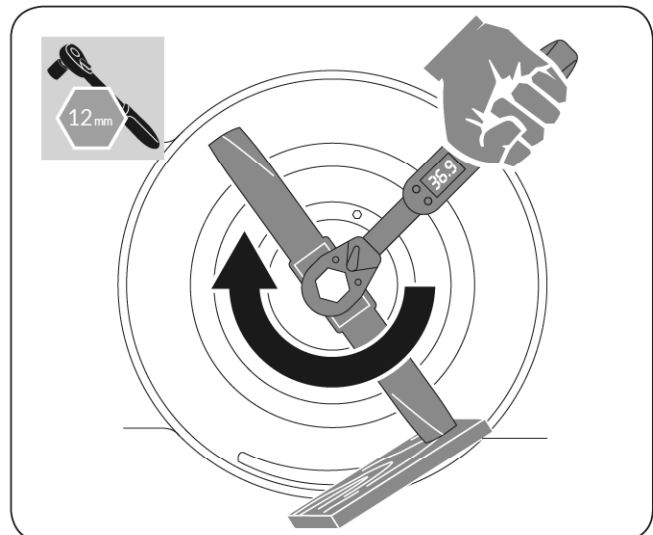


Figure 40

CAUTION To ensure safe operation of your mower, periodically check the blade bolt for correct torque.

NOTE Blade bolt is heat treated. If bolt needs replacing, replace only with approved bolt.

SPEED CONTROL ADJUSTMENT

When the drive starts feeling slow you need to adjust the speed control cable. See the below CABLE ADJUSTMENT section.

DRIVE CONTROL ADJUSTMENT

You will need to adjust the drive control cable if the mower doesn't propel itself with the drive control engaged. See the below CABLE ADJUSTMENT section.

ENGINE START/STOP CONTROL ADJUSTMENT

When depress the engine start/stop lever against the upper handle, press the electric start button or pull the recoil starter several times, the engine doesn't start, you must tighten the engine start/stop control cable. See the below CABLE ADJUSTMENT section. (See **Figure 41**)

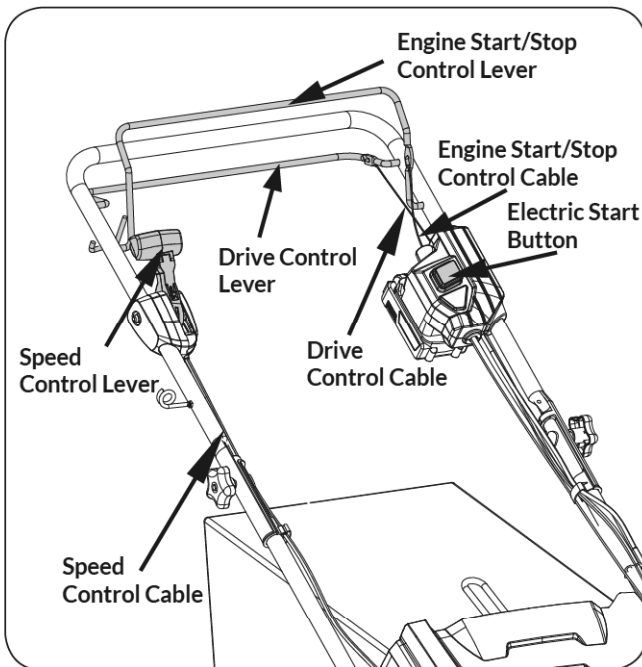


Figure 41

CABLE ADJUSTMENT

1. Loosen the jam nut. (See **Figure 42, Illustration 1**)
2. Rotate the turnbuckle to loosen or tight the cable. (See **Figure 42, Illustration 2**)
3. Tighten the jam nut. (See **Figure 42, Illustration 3**)

YG4761PM05 - 2603

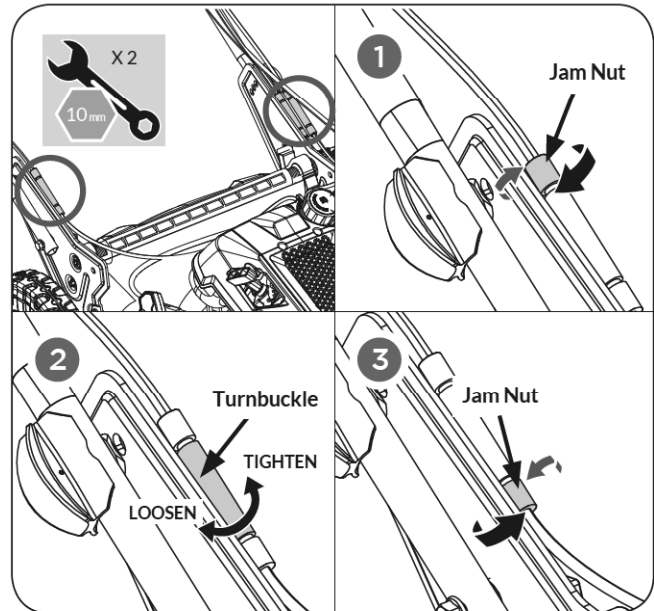
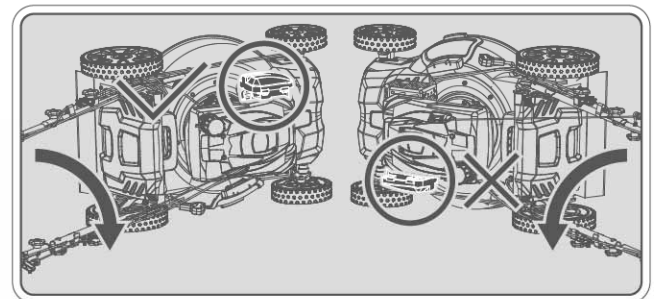


Figure 42

BELT REPLACEMENT



WARNING Always keep the air filter and carburetor facing up whenever needed to tip the machine onto its side.

1. Remove the blade. (See **Figure 43**)

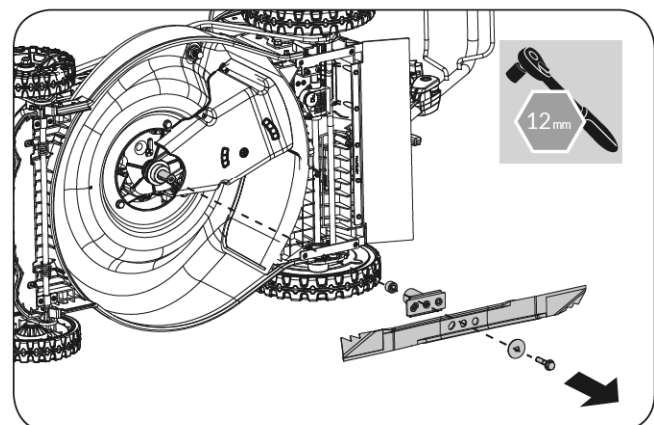


Figure 43

2. Remove the belt cover. (See **Figure 44**)

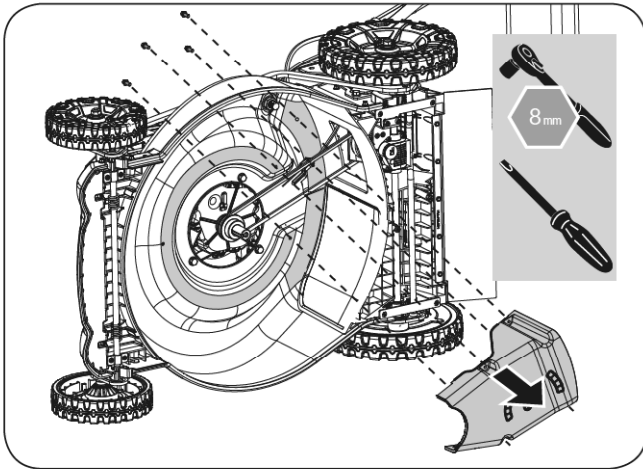


Figure 44

3. Disconnect the cable from the throttle cable end. (See **Figure 45**)

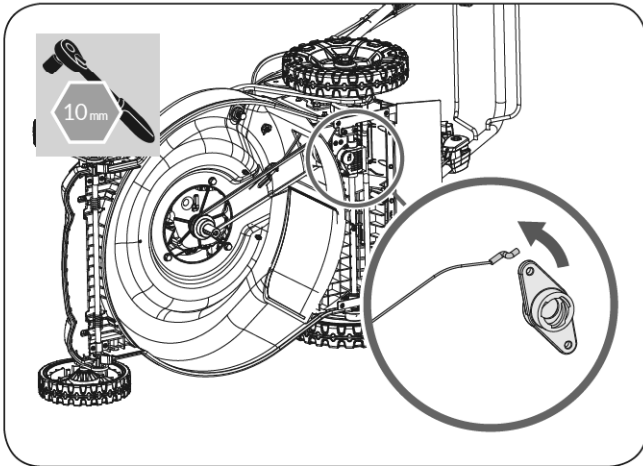


Figure 45

4. Remove the belt. (See **Figure 46**)

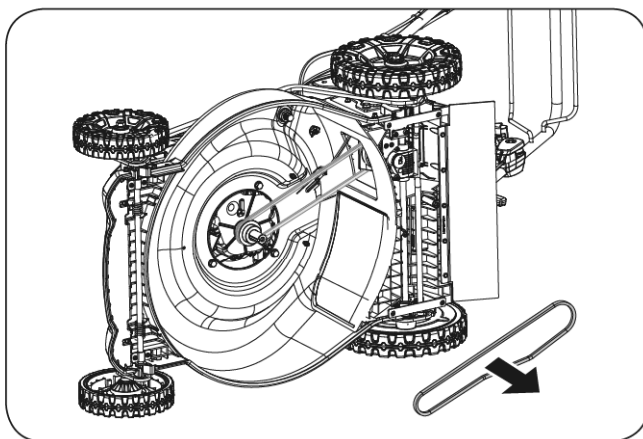


Figure 46

5. Assemble the new belt.

6. Assemble the machine in reverse order.

REPLACE THE WHEEL

1. Stop the engine and make the machine on a flat surface.

2. Remove the wheel nut and wheel from the wheel axle, using a 15 mm socket wrench. (See **Figure 47**)

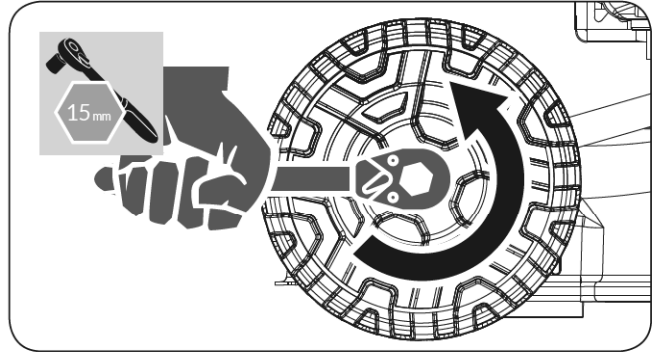


Figure 47

3. Assemble the new wheel with wheel nut. (See **Figure 48**)

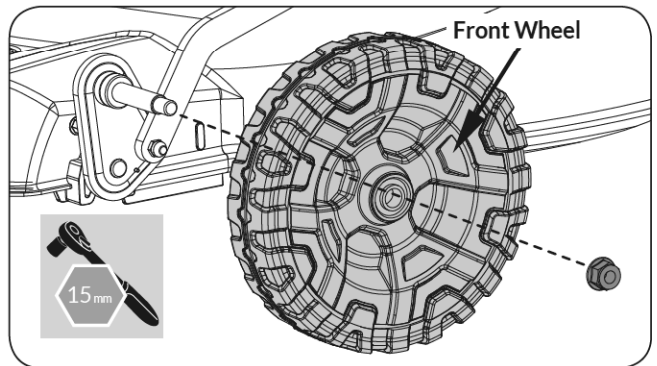


Figure 48

CAUTION Make ensure the inner gear ring of the wheel and the gear of the wheel guard are meshed in place.

4. Assemble the new wheel with wheel nut and washer. (See **Figure 49**)

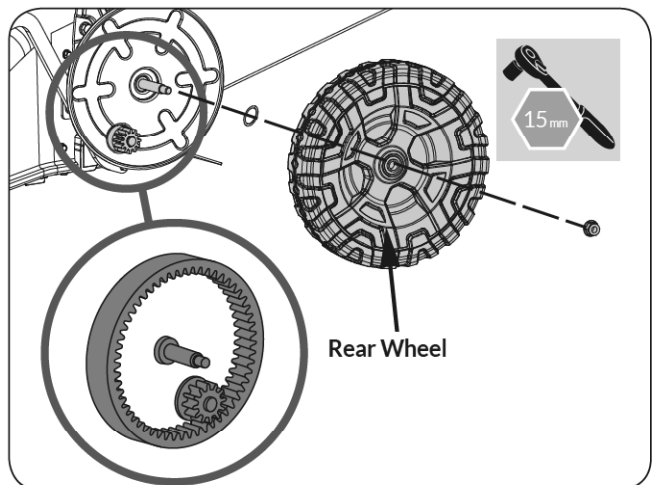


Figure 49

BATTERY CHARGING

Connect the charger to the battery for charging. (See **Figure 50**)

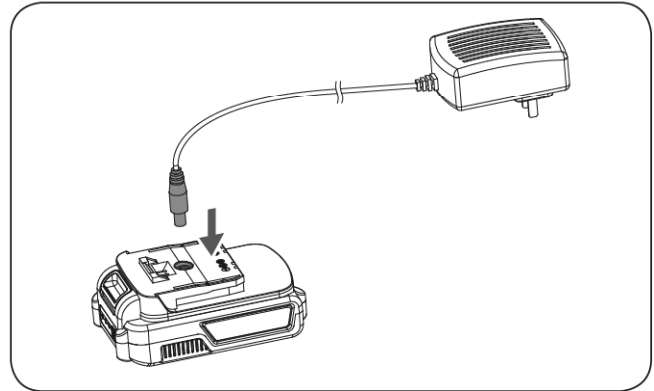


Figure 50

BLOWER YF1320 MAINTENANCE**GENERAL MAINTENANCE**

1. Always read safety rules when performing any maintenance.
2. Keep all the nuts, bolts and screws tight.
3. Remove the battery pack before any maintenance operation.
4. Check the blower for any signs of wear or damage to its components before each use.
5. For safety purposes, use only accessories recommended by manufacturer.
6. Ensure proper recycling or disposal of Li-Ion batteries. Do not short-circuit, incinerate, or open the battery.

! WARNING *The warranty on this blower does not cover items that have been subjected to operator abuse or negligence. To receive full value from warranty, operator must maintain the blower as instructed here.*

CLEANING THE BLOWER

Clean the dirt and debris out of all air vents. Keep handles clean and dry.

! WARNING *Before performing any cleaning on the blower, turn the blower off and remove the battery pack.*

! WARNING *To reduce the risk of electric shock, do not expose the blower to water.*

! WARNING *Always wear eye protection with side shields marked to comply with ANSI Z87.1 to minimum the risk of eye injury.*

BATTERY CHARGING

Connect the charger to the battery for charging. (See **Figure 51**)

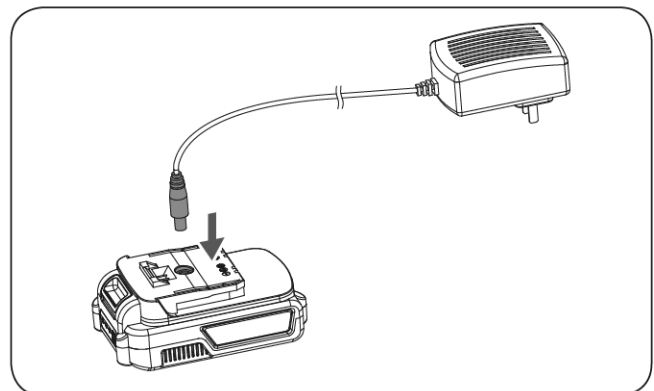


Figure 51

TRANSPORT AND STORAGE

The following steps should be taken to prepare your lawn mower for storage.

Keep all equipment safe during transportation to prevent damage and accidents.

For storage, keep equipment in a lockable area away from children and persons that are not approved. Do not store next to corrosive materials, such as fertilizer.

For storage, keep the product and equipment in a dry and frost-proof area.

When loading or moving the product, do not go more than the maximum recommended operation angle of 15 degrees.

Empty the fuel tank by operating the product until the tank is empty.

NOTE Old fuel in the fuel tank is the leading cause of hard starting.

Do not store fuel without fuel stabilizer more than 30 days, and do not store stabilized fuel more than 90 days.

WARNING Before transport, stop the mower and remove the battery pack.

WARNING During transportation, keep it away from other metal objects like: paper clips, coins, keys, nails, screws, or other small metal objects that can make a connection from one terminal to another. Shorting the Battery Pack terminals together may cause burns or a fire.

Remove the spark plug, pour a tablespoon (5-10 cc) of clean engine oil into the cylinder, and pull the starter rope slowly several times to distribute oil throughout the cylinder to prevent cylinder corrosion during the off-season. Loosely install the spark plug.

Drain the engine oil.

Clean the product.

Tighten bolts and nuts.

Replace or repair damaged components.

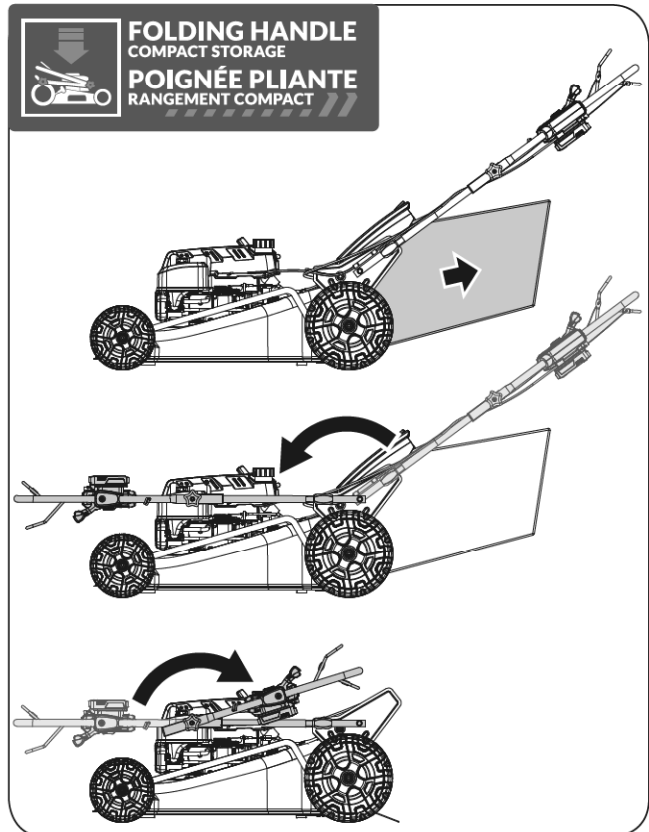
Touch up all rusted or damaged paint surfaces. Sand lightly before painting.

Use the correct protective cover on the product to keep it dry. Do not use plastic because it lets condensation collect and causes corrosion on the product.

NOTE Clean and lubricate mower thoroughly as described in Maintenance section.

NOTE Apply a coat of chassis grease to mower's cutting blade to prevent rusting.

NOTE Refer to Engine Operator's Manual for the correct engine storage instructions.



WARNING Folding or unfolding the handle improperly can damage the cables, causing an unsafe operating condition.

The following steps should be taken to prepare your blower for storage.

Keep all equipment safe during transportation to prevent damage and accidents.

! WARNING Before transport, turn the blower off and remove the battery pack.

! WARNING During transportation, keep it away from other metal objects like: paper clips, coins, keys, nails, screws, or other small metal objects that can make a connection from one terminal to another. Shorting the Battery Pack terminals together may cause burns or a fire.

For storage, keep equipment in a lockable area away from children and persons that are not approved. Do not store next to corrosive materials, such as fertilizer.

For storage, keep the product and equipment in a dry and frost-proof area.

🏷️ NOTE Clean the blower thoroughly as described in the Maintenance section.

Clean the product.

Keep all tubes, bolts and screws tight to be sure the product is in safe working condition.

Replace or repair damaged components.

Do not store next to corrosive materials, such as fertilizer. Use the correct protective cover on the product to keep it dry.

Only use spare parts and accessories approved by the manufacturer.

Before next use, inspect the general condition of the blower, check if there are loose hardware, missing parts, broken parts or any other condition that may affect safety.

Check the battery condition and recharge it after long storage.

Use the correct protective cover on the product to keep it dry. Do not use plastic to prevent condensation and protect the product from moisture corrosion and other damage compromising your product.

! WARNING Never disassemble the tool, battery pack or charger. When servicing, use only identical replacement parts. Use of any other parts can create a hazard or cause product damage.

! WARNING When battery pack is not in use, keep it away from other metal objects like: paper clips, coins, keys, nails, screws, or other small metal objects that can make a connection from one terminal to another. Shorting the Battery Pack terminals together may cause burns or a fire.

TROUBLESHOOTING

LAWN MOWER YG4761

Problem	Cause	Remedy
The engine fails to start	<ol style="list-style-type: none"> 1. Blade control disengaged. 2. Spark plug boot disconnected. 3. Fuel tank empty or stale fuel. 4. Engine not primed (If equipped with primer). 5. Faulty spark plug. 6. Engine flooded. 7. The battery is not fully installed. 8. The battery pack is not charged. 9. The battery pack is damaged. 	<ol style="list-style-type: none"> 1. Engage blade control. 2. Connect the wire to spark plug boot. 3. Fill tank with clean, fresh gasoline. 4. Prime engine as instructed in the Operation section of the Engine Manual. 5. Clean, adjust gap or replace. 6. Wait a few minutes to restart. 7. Remove and install the battery again. 8. Remove the battery pack to charge it and recoil start the engine. 9. Replace the battery pack.
The battery pack loses charge quickly.	The battery pack is over or under the appropriate temperature range.	Move the battery pack to a place where it is dry and the temperature is between 6°C (43°F) and 50°C (122°F).
The battery charger is not working.	<ol style="list-style-type: none"> 1. The battery charger is over or under the appropriate temperature range. 2. The outlet that the battery charger is plugged into does not have power. 	<ol style="list-style-type: none"> 1. Unplug the battery charger and move it to a place where it is dry and the temperature is between 6°C (43°F) and 50°C (122°F). 2. Contact your licensed electrician to repair the outlet.
The LED indicator light on the battery charger blinks red.	The battery charger and/or battery pack is over or under the appropriate temperature range.	Unplug the battery charger and move the battery charger and battery pack to a place where it is dry and the temperature is between 6°C (43°F) and 50°C (122°F).
It is difficult to remove the battery pack from the tool.	The battery pack/tool is new or there is corrosion in the battery terminals and/or the terminals on the tool.	Clean the terminals on the battery and the tool. Then apply dielectric grease to the battery terminals; do not use any other type of lubricant as it can damage the terminals.
Hard to start or blowing white smoke	<ol style="list-style-type: none"> 1. Air filter, carburetor and spark plug polluted by oil and gas spilled from tipping on the incorrect side. 2. The battery pack charge capacity is too low. 	<ol style="list-style-type: none"> 1. Replace air filter. Clean carburetor and spark plug. 2. Remove the battery pack from the product and fully charge it.

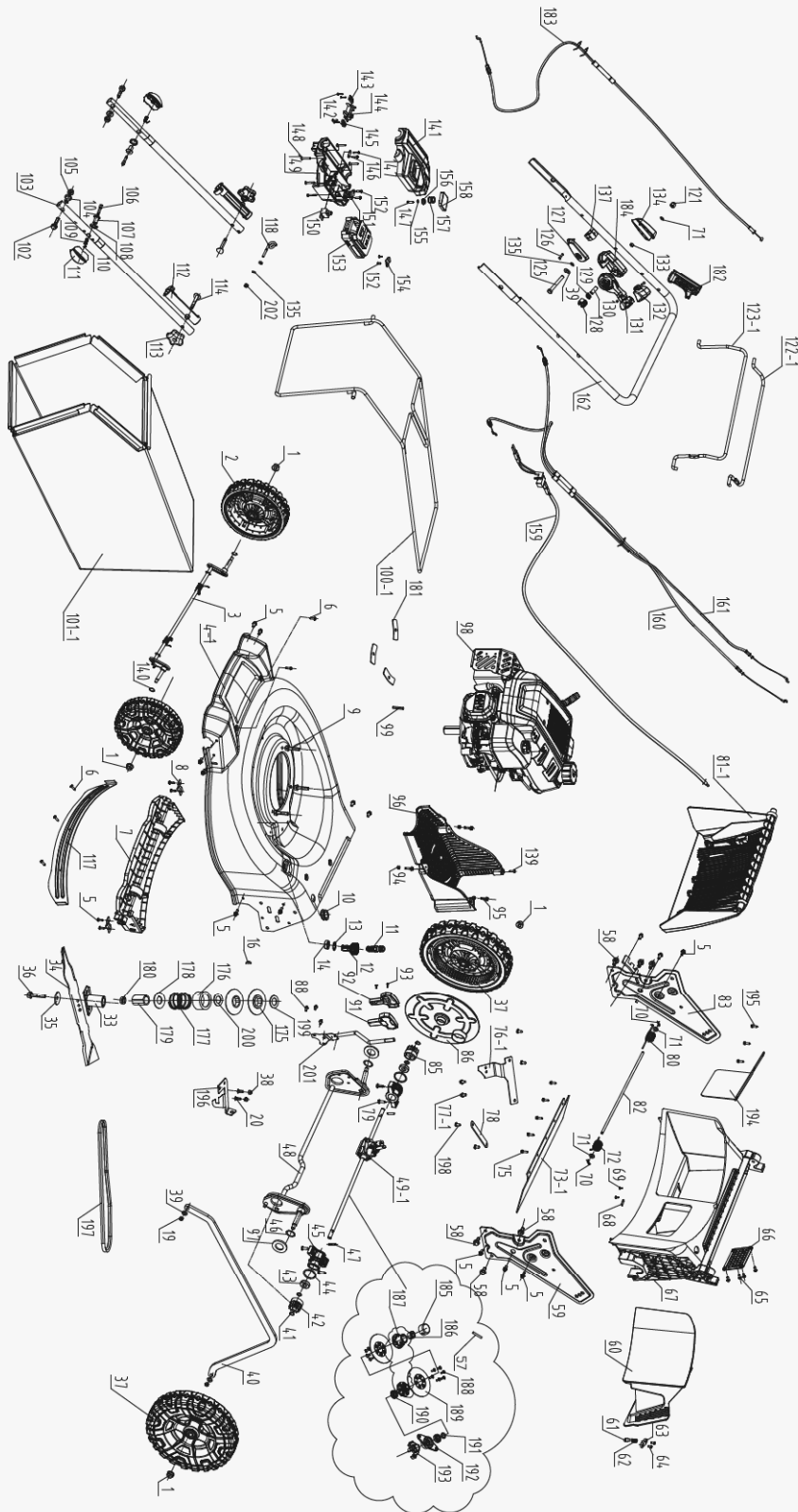
Problem	Cause	Remedy
Engine runs erratic	<ol style="list-style-type: none"> 1. Spark plug boot loose. 2. Stale fuel. 3. Vent in gas cap plugged. 4. Water or dirt in the fuel system. 5. Dirty air cleaner. 6. Blocked fuel line. 	<ol style="list-style-type: none"> 1. Connect and tighten the spark plug boot. 2. Fill tank with clean, fresh gasoline. 3. Clear vent. 4. Run the engine until it stops from lack of fuel. Refill with fresh fuel. 5. Refer to Air Cleaner Maintenance in the Engine Manual. 6. Contact your Parts & Repair Center to have the fuel line cleaned.
Engine overheats	<ol style="list-style-type: none"> 1. Engine oil level low. 2. Air flow restricted. 	<ol style="list-style-type: none"> 1. Fill crankcase with proper oil. 2. Clean the area around and on top of the engine.
Idles poorly	<ol style="list-style-type: none"> 1. Spark plug fouled, faulty, or gap too wide. 2. Dirty air cleaner. 	<ol style="list-style-type: none"> 1. Reset gap or replace the spark plug. 2. Refer to Air Cleaner Maintenance in the Engine Manual.
Excessive vibration	<ol style="list-style-type: none"> 1. Cutting blade loose or unbalanced. 2. Bent cutting blade. 	<ol style="list-style-type: none"> 1. Tighten blade and adapter. Balance blade. 2. Replace blade.
The mower will not mulch grass	<ol style="list-style-type: none"> 1. Wet grass. 2. Excessively high grass. 3. Dull blade. 	<ol style="list-style-type: none"> 1. Do not mow when the grass is wet; wait until dry to cut. 2. Mow once at a high cutting height, then mow again at desired height or make a narrower cutting path. 3. Sharpen or replace the blade.
Uneven cut	<ol style="list-style-type: none"> 1. Buildup of grass, leaves, and debris under mower. 2. Dull blade. 	<ol style="list-style-type: none"> 1. Clean the underside of mower housing. 2. Sharpen or replace the blade.
Grass catcher not filling	<ol style="list-style-type: none"> 1. Cutting height too low. 2. Worn blade. 3. Catcher not venting air. 	<ol style="list-style-type: none"> 1. Raise height of cut. 2. Replace the blade. 3. Clean / inspect grass catcher.
Mower will not self propel	<ol style="list-style-type: none"> 1. Belt not installed properly. 2. Debris clogging speed control system. 3. Damaged or worn belt. 4. Drive control out of adjustment. 5. Damaged transmission box or transmission box speed control wheel. 6. Broken Speed Adjustment Cable. 7. Damage or jamming of the tension roller. 	<ol style="list-style-type: none"> 1. Check belt for proper pulley installation and movement. 2. Stop engine, disconnect spark plug boot, and see page 21 to clean out debris from the belt cover. 3. Inspect and, if necessary, see page 24 to have belt replaced. 4. Adjust drive control. Refer to page 23. 5. Contact customer service. 6. Replace Speed Adjustment Cable. 7. Replace the tension roller.

BLOWER YF1320

Problem	Cause	Remedy
The machine does not start.	<ol style="list-style-type: none"> 1. The battery is not correctly installed in the machine. 2. The battery pack is not charged. 3. The battery pack is damaged. 4. There is another electrical problem with the machine. 5. The switch is defective. 6. The battery is not inserted all the way in the blower. 	<ol style="list-style-type: none"> 1. Remove and re-install the battery, making sure that it is fully inserted and latched. 2. Remove the battery pack from the machine and charge it. 3. Replace the battery pack. 4. Contact an Authorized Service Dealer. 5. Replace the switch. 6. Insert the battery until it clicks.
The machine does not reach full power.	<ol style="list-style-type: none"> 1. The battery pack charge capacity is too low. 2. The air vents are blocked. 	<ol style="list-style-type: none"> 1. Remove the battery pack from the machine and fully charge it. 2. Clean the air vents.
The battery pack loses charge quickly.	The battery pack is over or under the appropriate temperature range.	Move the battery pack to a place where it is dry and the temperature is between 6°C (43°F) and 50°C (122°F).
The battery charger is not working.	<ol style="list-style-type: none"> 1. The battery charger is over or under the appropriate temperature range. 2. The outlet that the battery charger is plugged into does not have power. 	<ol style="list-style-type: none"> 1. Unplug the battery charger and move it to a place where it is dry and the temperature is between 6°C (43°F) and 50°C (122°F). 2. Contact your licensed electrician to repair the outlet.
The LED indicator light on the battery charger blinks red.	The battery charger and/or battery pack is over or under the appropriate temperature range.	Unplug the battery charger and move the battery charger and battery pack to a place where it is dry and the temperature is between 6°C (43°F) and 50°C (122°F).
It is difficult to remove the battery pack from the tool.	The battery pack/tool is new or there is corrosion in the battery terminals and/or the terminals on the tool.	Clean the terminals on the battery and the tool. Then apply dielectric grease to the battery terminals; do not use any other type of lubricant as it can damage the terminals.
The machine does not run continuously.	<ol style="list-style-type: none"> 1. There is moisture on the leads of the battery pack. 2. The battery is not fully installed into the tool. 	<ol style="list-style-type: none"> 1. Allow the battery pack to dry or wipe it dry. 2. Remove and then replace the battery into the tool making sure that it is fully installed and latched.
No air flows through the tube upon machine startup.	There is a blockage in the air inlet or tube outlet.	Clear the blockage.

PARTS DIAGRAM

LAWN MOWER YG4761



33245BV03

YG4761 PARTS LIST

No.	Description	Qty
1	Lock Nut M10	4
2	Wheel	2
3	Front Wheel Axle	1
4-1	Cutting Deck	1
5	Hexagon Head Self-tapping Screw ST6.3x19C	18
6	Cross Recessed Tapping Screw ST4.8x16C	5
7	Front Deck Guard	1
8	Guard Mounting Base	2
9	Bolt M8x25	3
10	Silicone Wire Sleeve	1
11	Product Adapter	1
12	Water Port	1
13	Washer 16	1
14	Hex Nut M16	1
15	Discontinued	N/A
16	Woodruff Key 4x6.5x16	1
17	Discontinued	N/A
18	Discontinued	N/A
19	1# Hexagon Flange Lock Nut M6	3
20	Half Round Head Square Neck Bolt M6x16	2
21	Discontinued	N/A
22	Discontinued	N/A
23	Discontinued	N/A
24	Discontinued	N/A
25	Discontinued	N/A
26	Discontinued	N/A
27	Discontinued	N/A
28	Discontinued	N/A
29	Discontinued	N/A
30	Discontinued	N/A
31	Discontinued	N/A
32	Discontinued	N/A
33	Blade Support Seat	1
34	Blade	1
35	Spring Washer for Blade	1
36	Flange Bolt 3/8-24UNF_L=40	1
37-1	Rear Wheel	2
38	1# Hexagon Flange Lock Nut M6	2
39	Big Washer 6	3

No.	Description	Qty
40	Height Adjustment Connecting Rod	1
41	Retaining Ring 12	4
42	Left Gear	1
43	Ball Bearing R8ZZ	2
44	Sealing O-Ring	2
45	Shaft Bushing	2
46	Waveform Elastic Washer 23x29x0.5	2
47	Pin 5x25-YH	2
48	Rear Wheel Axle	1
49-1	Transmission Box	1
50	Discontinued	N/A
51	Discontinued	N/A
52	Discontinued	N/A
53	Discontinued	N/A
54	Discontinued	N/A
55	Discontinued	N/A
56	Discontinued	N/A
57	Elastic Pin 5x35	1
58	Bolt M8x16	6
59	Left Handle Bracket	1
60	Mulch Plug	1
61	Cover Fastening Pin	1
62	Upper Handle Spring	1
63	Cover Plate	1
64	Cross Recessed Tapping Screw ST4.8x9.5F	2
65	Cross Recessed Tapping Screw M5x12	4
66	Rear Deck Mounting Plate	1
67	Rear Deck	1
68	Wire Clamp Plate	1
69	Cross Recessed Tapping Screw M4x16	2
70	Pin 2x11x35	2
71	Flat Washer 8	3
72	Left Torsion Spring	1
73-1	Shield-Trailing	1
74	Discontinued	N/A
75	Hexagon Head Self-tapping Screw ST5.5x19F	5
76-1	Transmission Box Retaining Plate	1
77-1	Hex Flange Bolt M6x16	2

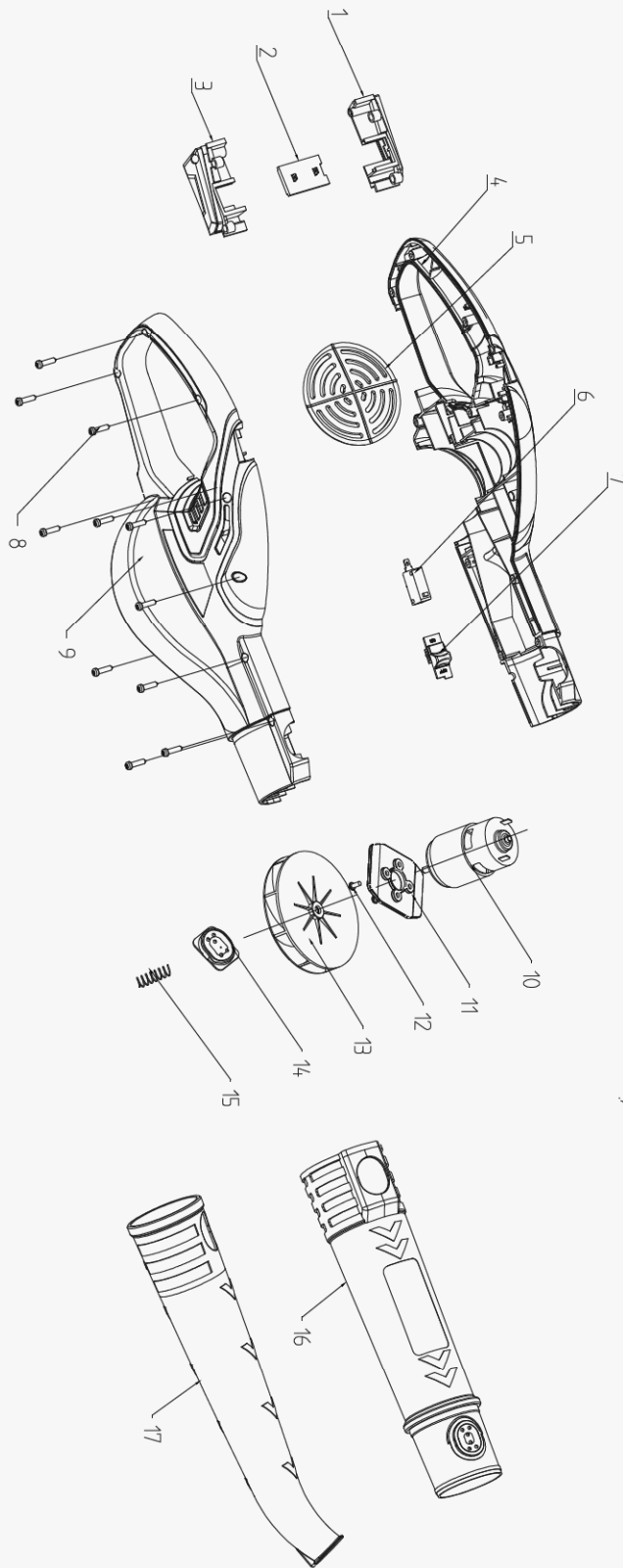
No.	Description	Qty
78	Transmission Box Protection Plate 2	1
79	Cross Recessed Tapping Screw ST6.3x25	4
80	Right Torsion Spring	1
81-1	Rear Discharge Cover	1
82	Rear Cover Shaft	1
83	Right Handle Bracket	1
84	Discontinued	N/A
85	Right Gear Assembly	1
86	Rear Wheel Cover	2
87	Discontinued	N/A
88	Screw M6x10	3
89	Discontinued	N/A
90	Discontinued	N/A
91	Lower Handle Box	1
92	Upper Handle Box	1
93	Cross Recessed Tapping Screw With Washer M3x12(ST2.9x12)	2
94	Hexagon Flange Lock Nut M5	3
95	Hex Flange Bolt M5x16	3
96	Belt Cover	1
97	Flat Washer 22	2
98	Engine	1
99-1	Flat Key 4.78X4.78X44.2	1
100-1	Grass Bag Holder	1
101-1	Grass Bag	1
102	Hex Flange Bolt M8x35	2
103-1	Lower Connecting Handlebar	2
104	Shaft Bushing	2
105	Hexagon Metal Flange Lock Nut M8	2
106	Positioning Pin	2
107	Positioning Pin Bushing	2
108	Plastic Seat	2
109	Spring	2
110	Elastic Pin 2x12	2
111	Unlock Knob	2
112	Insulating Sleeve	2
113	Wing Knob	2
114	Curved Round Head Bolt M8x55	2
115	Discontinued	N/A
116	Discontinued	N/A
117	Front Baffle	1
118-1	Rope Guide	1

No.	Description	Qty
119	Discontinued	N/A
120	Discontinued	N/A
121	Cap Nut M6	1
122-1	Drive Control Lever	1
123-1	Engine Start/Stop Control Lever	1
120	Discontinued	N/A
125	Bolt M6x70	1
126	Cross Recessed Tapping Screw ST2.9x9.5	1
127	Speed Control Lever Holder-Left Cover	1
128	Ratchet Wheel	1
129	Compression Spring	1
130	Spacer Bush	1
131	Speed Control Lever	1
132	Lever cover	1
133	1# Nut M6	1
134	Speed Control Lever Holder-Right Cover	1
135	Flat Washer 6	3
136	Discontinued	N/A
137	Cable Clamp	2
138	Discontinued	N/A
139	Cross Recessed Tapping Screw ST5.5x19F	1
140	Waveform Elastic Washer 20.5x14.5x0.3	2
141	Electric Start Control Box-Top Cover	1
142	Cross Recessed Countersunk Self-tapping Screw ST2.9x13C	4
143	Connector Clamp Plate Right	1
144	Battery Connector	1
145	Connector Clamp Plate Left	1
146	cable clamp plate	1
147	Self-tapping Screws with Cross Pan Head M2.9x13C	3
148	Cross Recessed Tapping Screw ST3.5x25	5
149	Electric Start Control Box-Bottom Cover	1
150	Button Switch	1
151	Wire Fixing Plate	1
152	Cross Recessed Tapping Screw ST3.5x13C	4
153	Battery Pack	1
154	Wire Fixing Plate	1
155	Button Washer	1

No.	Description	Qty
156	Start Switch Button indenter	1
157	Start Switch Button Compression Spring	1
158	Electric Start Button	1
159	Master Wire	1
160	Engine Start Cable	1
161	Stop Control Cable	1
162	Upper Handle	1
172	Charger	1
175	Engine Shaft Pulley	2
176	Spring Sleeve	1
177	Clutch Spring	1
178	Spring Washer	1
179	Torque Sleeve	1
180	Spacer Bush 1	1
181	Engine Bolt Washer	3
182	Tie Rod Limit Block	1
183	Speed Adjustment Cable	1
184	Speed Control Lever Holder	1
185	Dust Cover	1

No.	Description	Qty
186	Axial Support Sleeve	1
187	Gear Sleeve	1
188	Self-Tapping Screw 4x12	12
189	Worm Shaft Pulley	2
190	Ball Bearing	2
191	Bearing Shim	1
192	Throttle Cable End	1
193	Throttle Base	1
194	Deflector Plate	1
195	Self-Tapping Screw M6x16 with Washer	2
196	Mounting Plate	1
197	V-Belt Z915La/875li	1
198	Screw ST6.3x25	4
199	Engine Pulley Washer	1
200	Spring Cover Gasket	1
201	Height Adjustment Handlebar	1
202	Hex Nut M6	1

BLOWER YF1320 (Only Included in Model YG4761-YF1320)



10A20296

YF1320 PARTS LIST

No.	Description	Qty
1	Battery Connector Left	1
2	Male Terminal Assembly	1
3	Battery Connector Right	1
4	Housing Cover Left	1
5	Base Plate	1
6	Switch	1
7	Toggle Switch	1
8	Screw ST3.9X14	11
9	Housing Cover Right	1

No.	Description	Qty
10	Motor	1
11	Motor End Plate	1
12	Screw M4X8	2
13	Fan	1
14	Push Button	1
15	Button Spring	1
16	Upper Blower Tube	1
17	Lower Blower Tube	1

Tame the Great Outdoors

