

INSTRUCTION MANUAL

Storage Shed

SD001-8X12

HELP CENTER



**MISSING A PART?
GIVE US A CALL BEFORE
HEADING BACK TO THE STORE**

The store where you made your purchase does not stock parts for this item. If you have assembly questions, or if you are missing or have damaged parts, please call

 **1-833-423-1158**

(Mon-Fri, 8:00 am to 5:00 pm EST)

 **needcare@peteroutdoor.com**

Please contact us via email. Due to high call volume, there may be a wait time for phone support.

Please have the following information ready when you contact us, so we can assist you promptly.

- *Purchasing platform*
- *Order number or Po number (you can find the info on your invoice, E-receipt or platform account).*
- *The model number of the product (printed on the package box).*
- *Description of the part from the parts list.*

BEFORE INSTALLATION

- Please list all parts as below first to check if any part is missing and make assembly easier.
- Do be careful that some parts are heavy and sharp.
- Please follow the assembly steps to install the product, if you find spare parts left, don't be worried, the left spare parts are prepared for bad ones if occurred.
- Please fully tighten all screws only when they are in place.
- Please do not exceed the bearing limitations of the product.
- Reconfirm that all bolts, screws, and knobs are secure every 90 days.
- Please retain these instructions for future reference.

CUSTOMER SERVICE FAQs

Q: Some parts are missing, I could not finish assembly.

A: Please kindly circle missing parts in the parts list of the manual, and send pictures to our service team. We will prepare and ship them to you for free ASAP.

Q: My item occurs a quality problem. I am not satisfied with it.

A: Please kindly take it easy and provide us pictures. We would help you to solve it by send replacement parts, replacement products or refund. And you do not need to take time to repack and return it back to us.

Q: The color is not the same as I ordered. How to solve it?

A: Please kindly help to provide us the pictures of the SKU number, the shipping label on the carton and also the product itself, better in one picture. Your pictures will help us to speed up solving the problem.

Q: How to prolong the service life of this item?

A: When it is stained with dusts, oil or sweat, please wipe with a damp cloth. You'd better use a cover when it is out of use.

If you have any problem with this product or our service, please don't be hasty in writing a negative review or feedback. Welcome to contact us right away, our service team will response within 24 hours, we will try our best to help you. Thank you for giving us a chance to improve the product and our service.

★ You're welcome to contact us at needcare@peteroutdoor.com

CONTENTS

01

List of Contents

02-04

Precautions and Product Specifications

05-10

Parts List

11-18

STEP 1 Floor Installation

19-34

STEP 2 Wall Installation

35-62

STEP 3 Roof Installation

63-75

STEP 4 Door Installation

76

STEP 5 Final Installation(Anchors)

CARE AND SAFETY GUIDELINES

- The shed is intended for storage purposes only. It is not designed for habitation.
- It is strongly recommended to secure the shed to an immovable object or anchor to the ground by drilling holes in the shed floor (at the pre-marked locations) and inserting proper screws into the ground .
- Do not attempt assembly on windy or cold days.
- Periodically check the shed to ensure that it is stable and that the site is level.
- Be careful when handling parts with steel edges.
- When assembling or handling the shed, use only those tools listed in the user manual.
- Always wear work gloves, safety goggles and long sleeves when assembling or performing any maintenance on your shed.
- Avoid using a lawnmower or mechanical scythe near the shed.
- Wear safety goggles and always follow the manufacturer's instructions when using power tools.
- Wash the shed with a garden hose or a mild detergent solution. Do not use a metal brush or abrasive cleaners, including degreasers and oil- or acetone-based cleaning materials, as these may stain or damage the shed.
- Do not store hot items, such as recently used grills and blowtorches, and volatile chemicals in the shed.
- Avoid placing heavy items against the walls, as this may cause distortion.
- Keep the roof clear of accumulated snow and leaves. Large amounts of snow on the roof can damage the shed, making it unsafe to enter.
- Wind direction is an important factor to consider when determining the location of the shed. Reduce exposure to the wind, in general, and of the door side in particular. Keep doors closed and locked when the shed is not in use to prevent wind damage.
- Do not stand on the roof.
- Consult your local authorities to check if permits are required to erect the shed.

Installation precautions

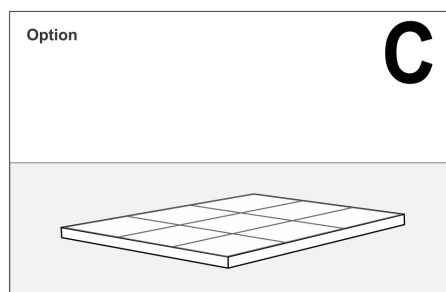
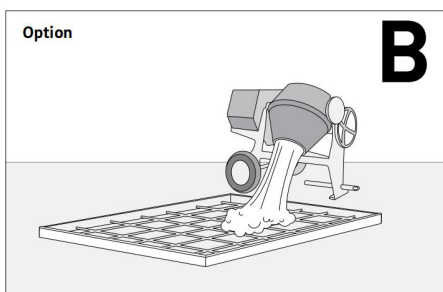
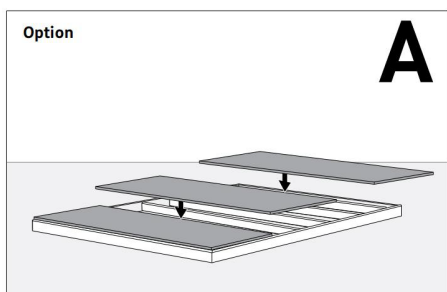
1.Site preparation

Leveling the ground.



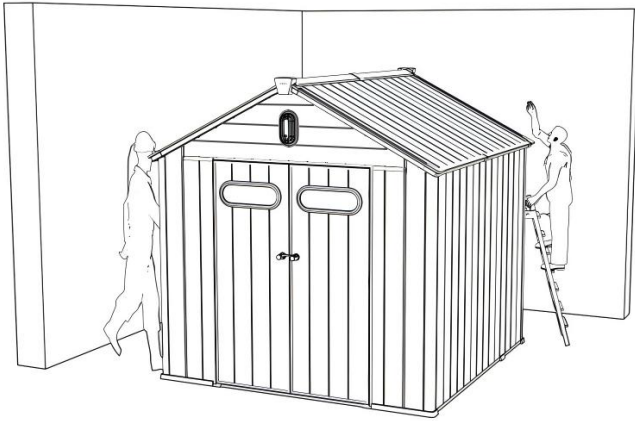
2. Set up the base

It is recommended to build a wooden base or concrete base.



3. Leave enough space

Operating space shall be reserved for external installation work.

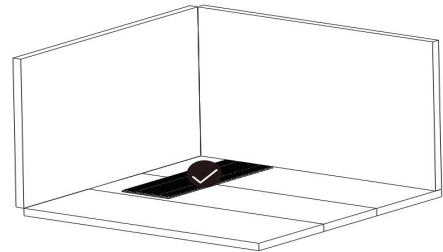
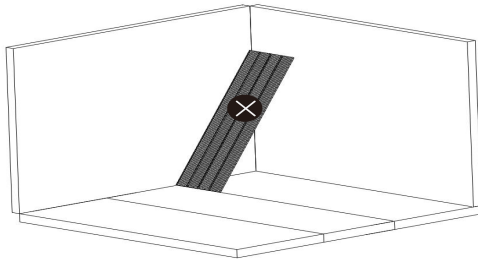


4. Tools required for installation

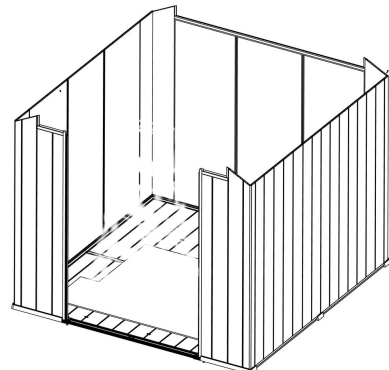
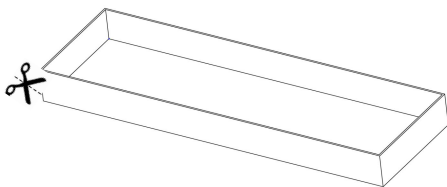
(Note: Installation requires two people to work together.)



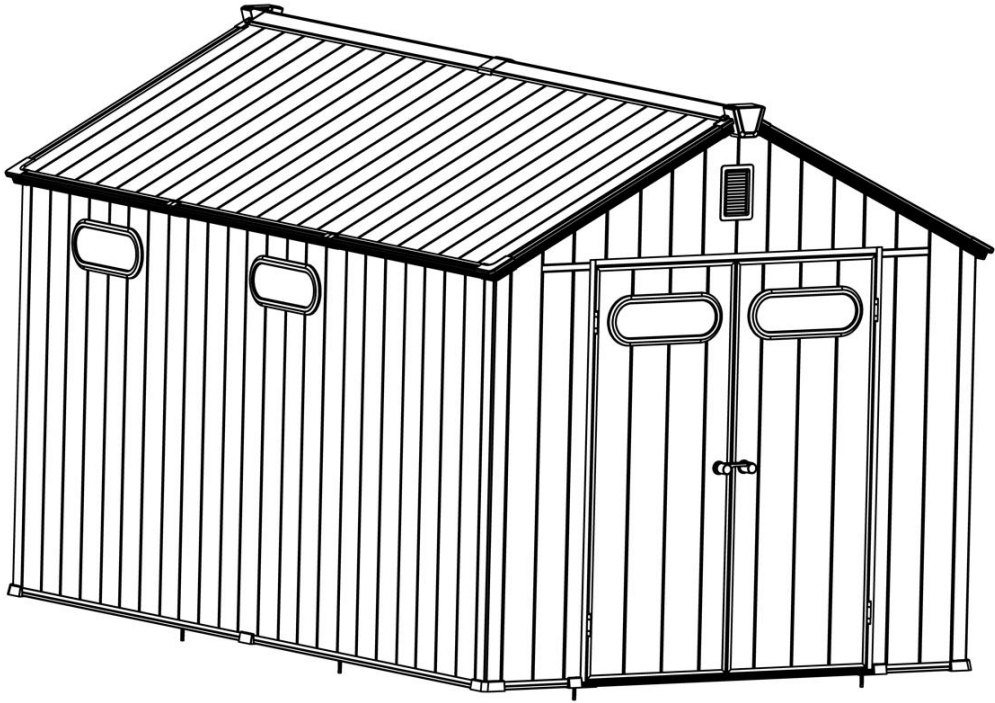
5. Lay the panels flat on the floor in order to prevent deformation.



6. Put the unfolded packing case on the floor to protect the floor from being crushed by the ladder.



I . 【8x10ft Product Introduction】



Model: DBB_SSP_KCF_SA03B_0812DB
Intelligent Plastic Storage Shed

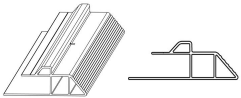







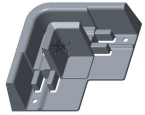






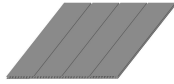

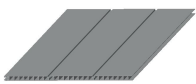
Size: 2350*3730*2310mm
Color: Grey

Base size: 2264*3590 mm
Area covered: 8.13 square meter

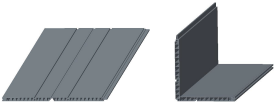
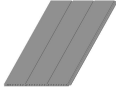

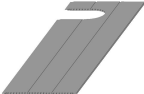
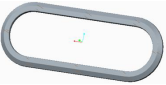
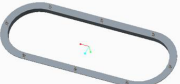
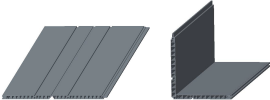
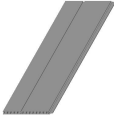



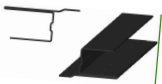

【 Intelligent Plastic Storage Shed_8x12.5ft】




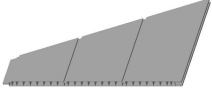
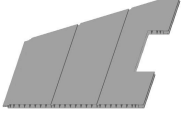
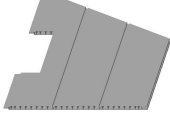
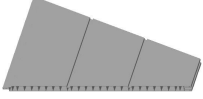




II .Accessory & Parts (1)

FLOOR


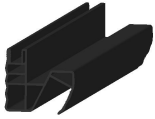
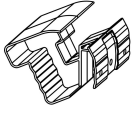
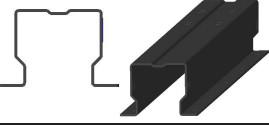




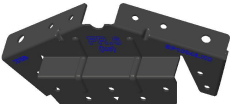
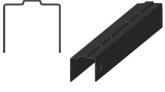

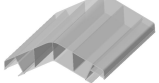
Item no.	Reference Image	Qty.	Item no.	Reference Image	Qty.
F.1(kc)		X1	F.11(kf)		X4
F.2L(kc)		X1	F.12(kf)		X1
F.3(kf)		X2	F.13(kf)		X1
KCFBC		X3	F.14(kf812)		X2
KCFRC		X4	F.15(kf812)		X2
F.6(kf812)		X4	F.17(kf)		X1
F.7(kf)		X2	F.18(kf)		X1
F.2R(kc)		X1			
F.8(kf812)		X9			
F.9(kf812)		X9			
F.10(kf812)		X3			


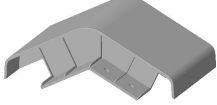
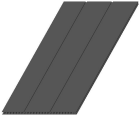
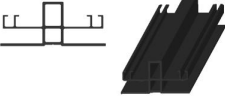
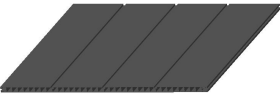
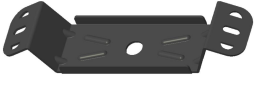

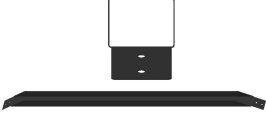
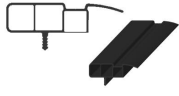
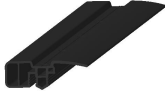

WALL

Item no.	Reference Image	Qty.
W.1(kf)		X2
W.2(kf)		X14
W.3(kf)		X2
W.4(kf)		X2
WIR2.OUT		X4
WIR2.IN		X4
W.5(kf)		X2
W.6(kf)		X1
W.7(kf)		X1
W.8(kf)		X1
W.9(kf)		X1
W.10(kc)		X1
HD.1(kc)		X2








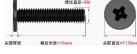
Item no.	Reference Image	Qty.
W.11L(kf)		X1
W.11R(kf)		X1
W.12(kf)		X1
W.13(kf)		X2
W.14(kf8)		X2
W.15(kf8)		X2
W.16(kf)		X2
VNR4.OUT		X2
VNR4.IN		X2
FlatRubber sealing stripe 12mm*2mm		X4
FlatRubber sealing stripe 5mm*2mm		X4

ROOF









Item no.	Reference Image	Qty.
R.1(kf)		X4
R.2B(kf812)		X6
KCRBLC		X4
FR.1(kf8)		X4
FR.2(kc816)		X4
FR.3(kc816)		X2
FR.4(kf)		X4
FR.5(kc)		X2
FR.6(kc)		X2
FR.7(kf812)		X4
FR.8(kf812)		X2
R.8(kf812)		X2

Item no.	Reference Image	Qty.
FlatRubber sealing stripe 20mm*2mm		X4
KCRRC		X1
R.4(kf812)		X4
R.5(kf)		X10
R.6(kf)		X8
HD.2(kc)		X3
HD.3(kc)		X6
HD.4(kc)		X3
R.7(kf)		X4
R.2A(kf812)		X6
KCRRH		X2

ACCESSORY

Item no.	Reference Image	Qty.
FT.1 5x14		X240
FT.2 3.9x12		X280
FT.3 3.9x30		X150
FT.5 2.9x20		X48
FT.6 4x14		X78
FT.7 6x40		X48
FT.7A M6		X52
FT.8 6x16		X4

ACCESSORY

Item no.	Reference Image	Qty.
FT.11 3x6		X2
FT.12 8x80		X8
OT.1		X4
guide piece		X2
FT.9 M10		X3
FT.10 M10		X3
FT.10A M10		X3
HD.5(kc)	 Pre-installed	X3

1



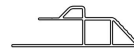
F.3(kf)
2pcs



F.2R(kc)
1pcs



F.2L(kc)
1pcs



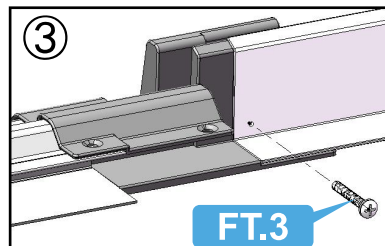
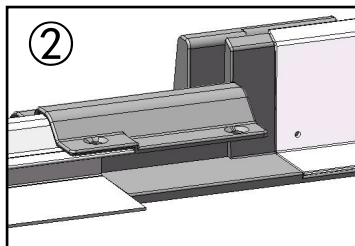
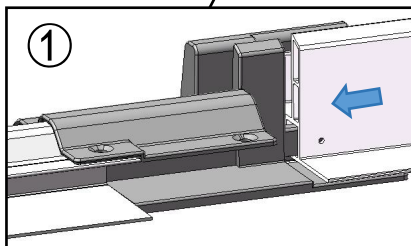
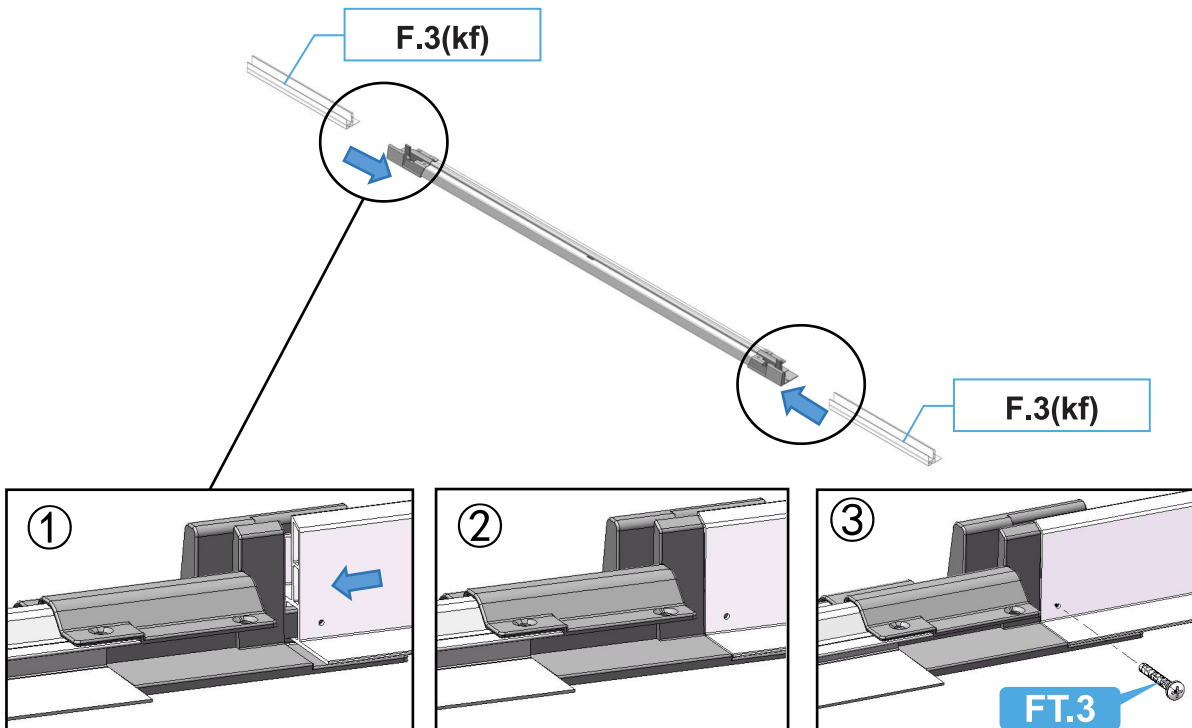
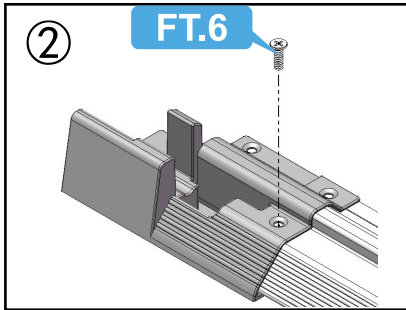
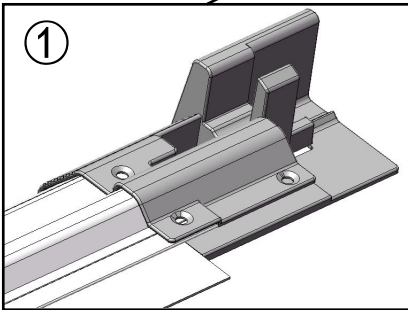
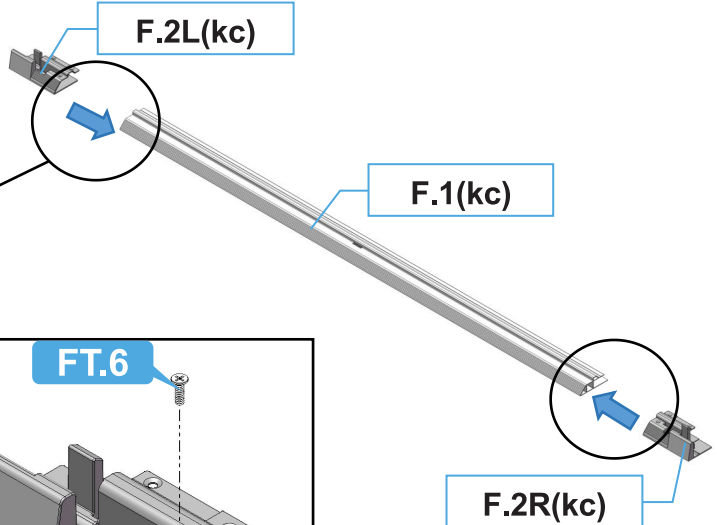
F.1(kc)
1pcs



FT.6
2pcs



FT.3
2pcs



2



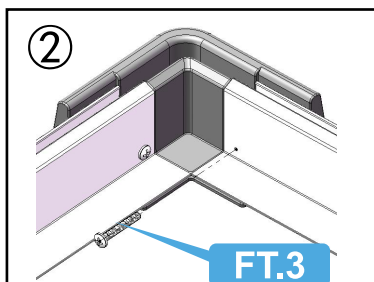
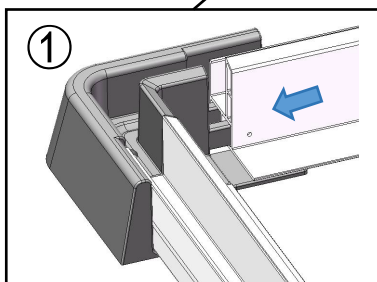
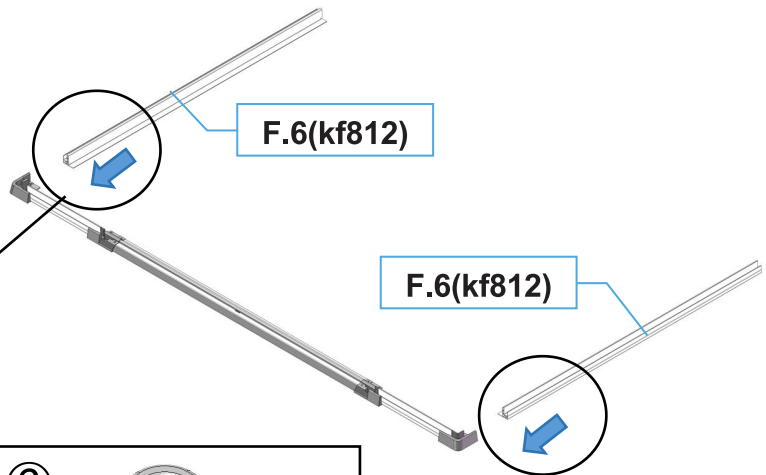
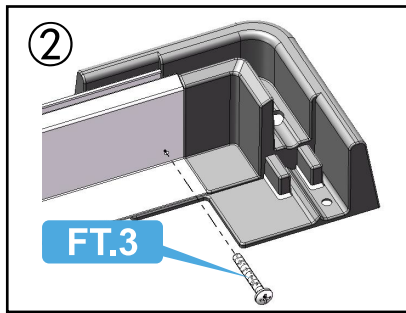
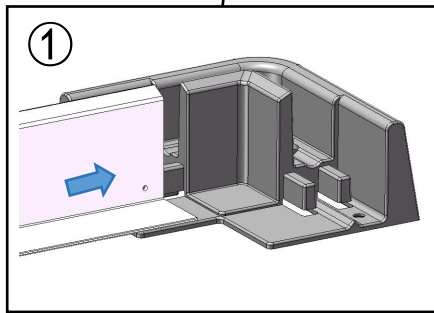
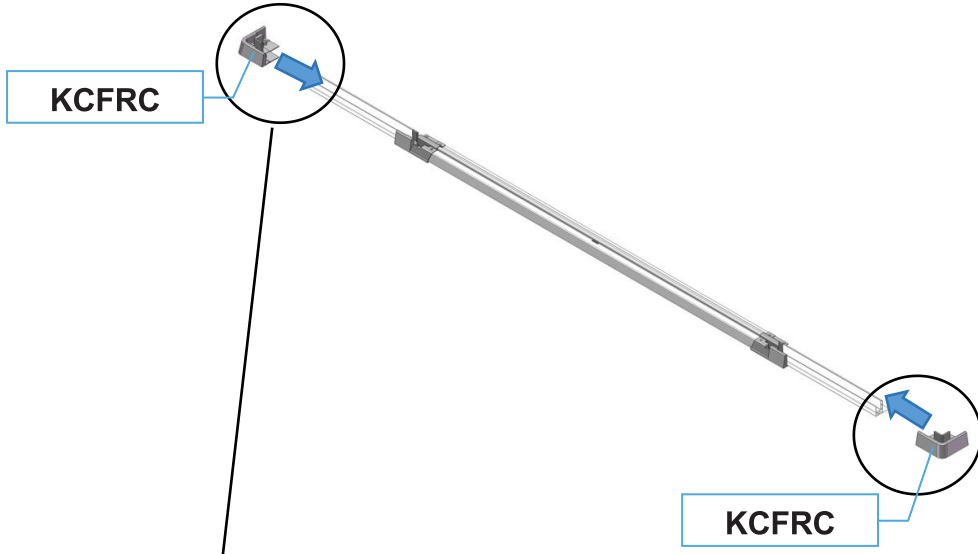
(kcFRC)
2pcs



F.6(kf812)
2pcs



FT.3
4pcs



3



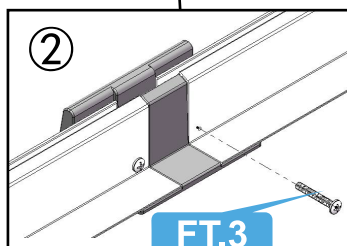
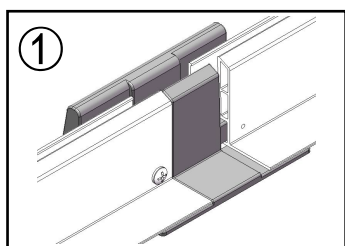
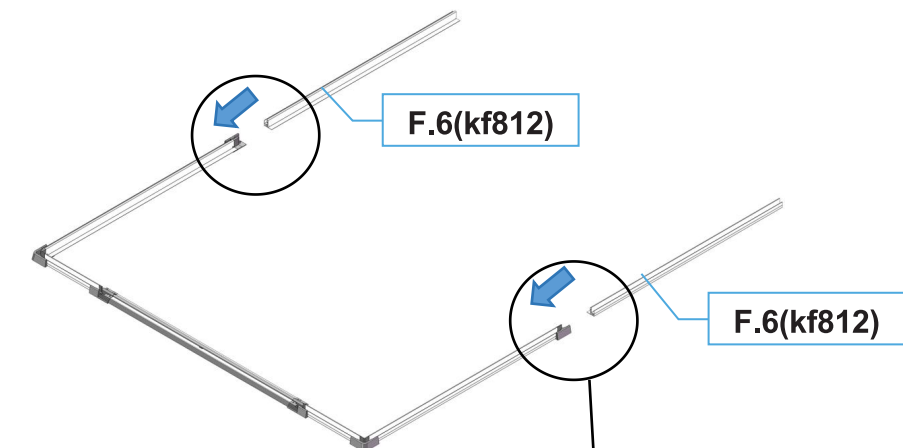
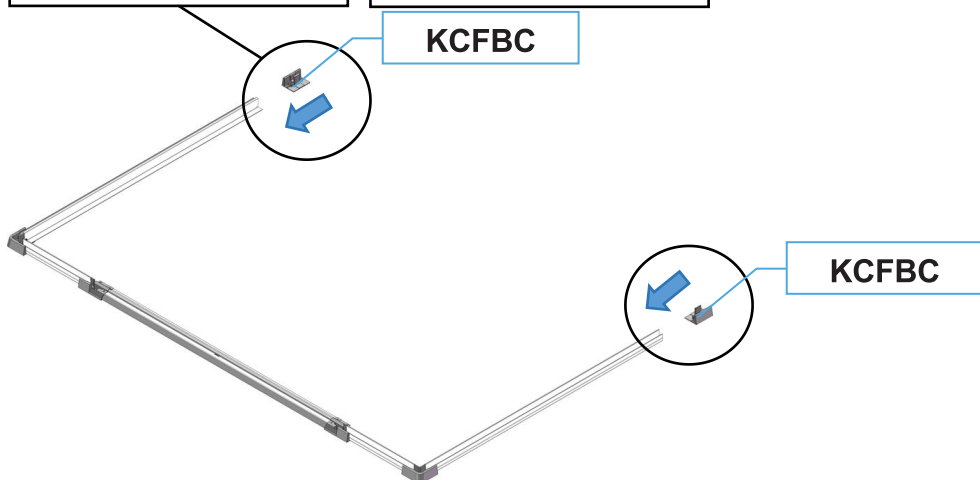
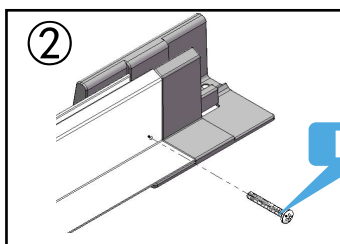
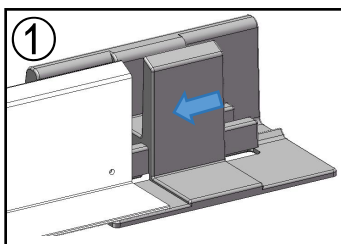
(kcFBC)
2pcs



F.6(kf812)
2pcs



FT.3
4pcs



4



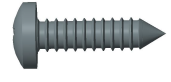
KCFRC
2pcs



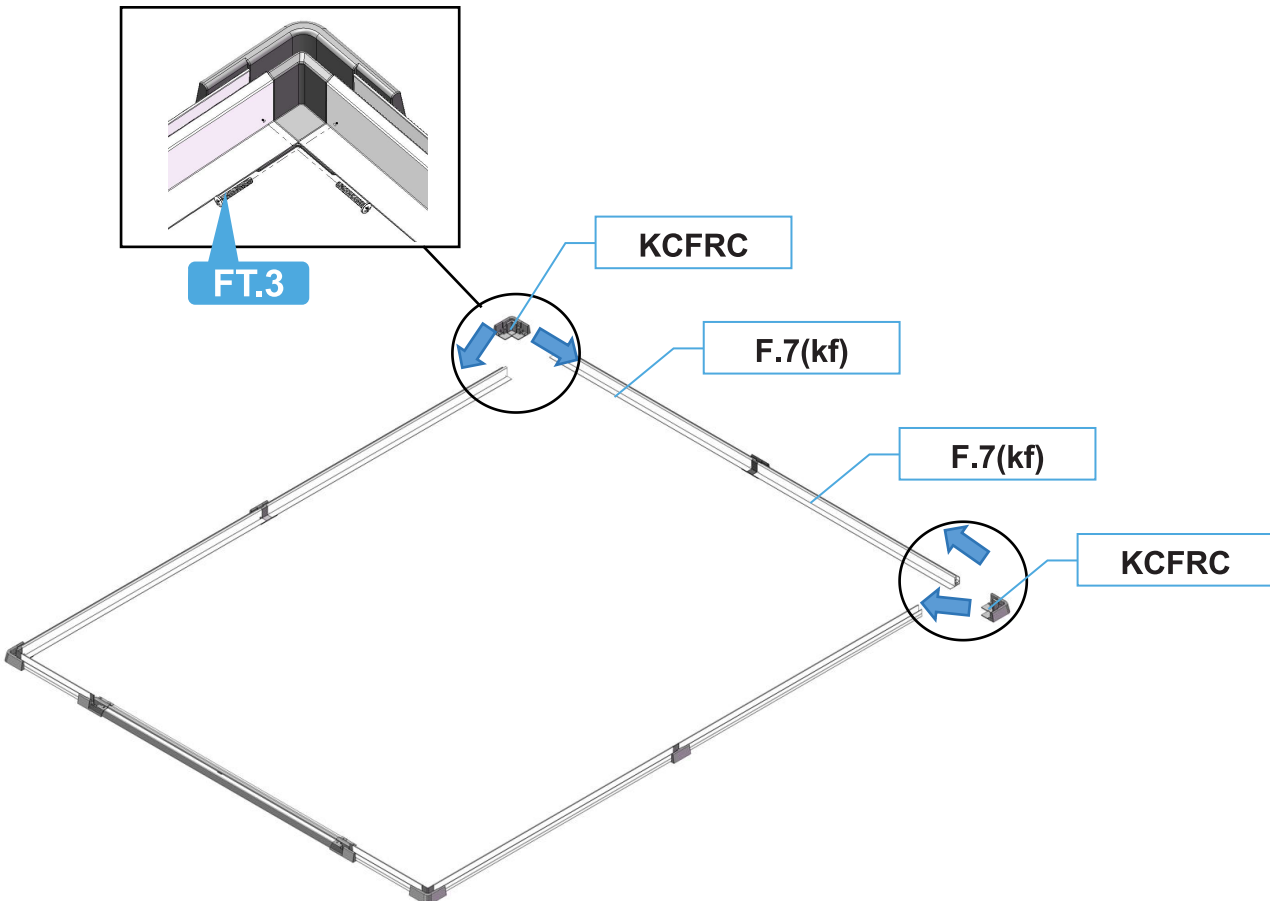
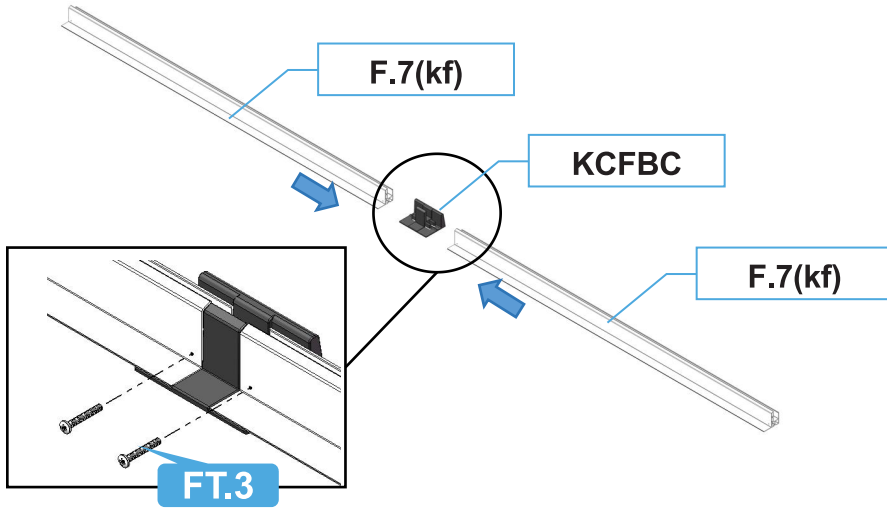
F.7(kf)
2pcs



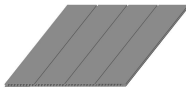
KCFBC
1pcs



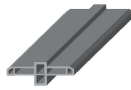
FT.3
6pcs



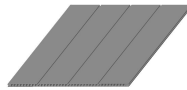
5



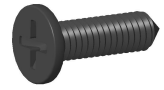
F.8(kf812)
9pcs



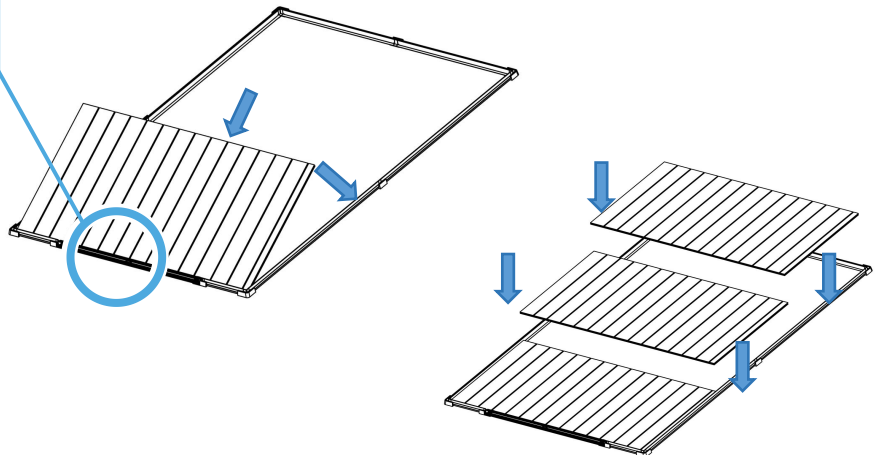
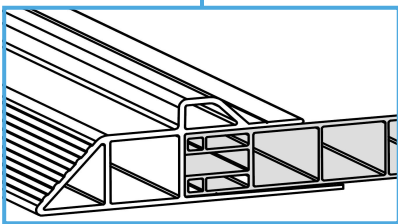
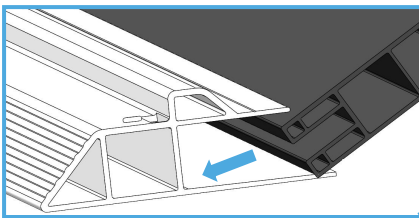
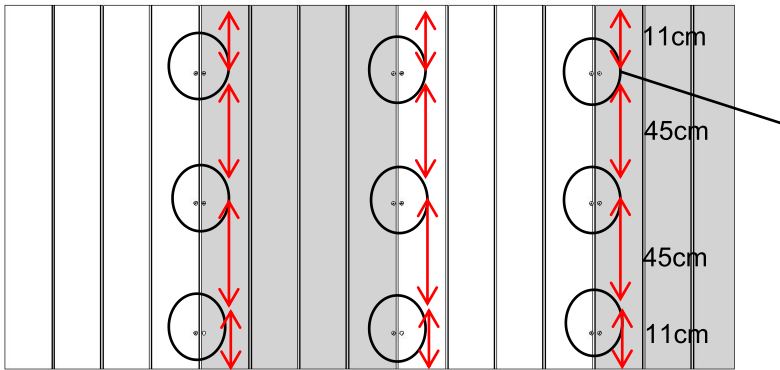
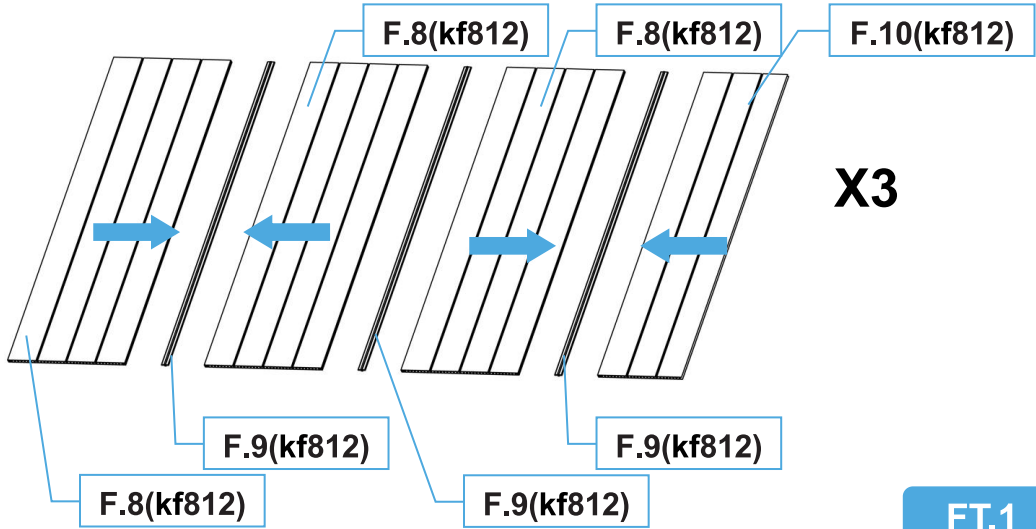
F.9(kf812)
9pcs



F.10(kf812)
3pcs



(FT.1)
54pcs



6



FT.1
44pcs



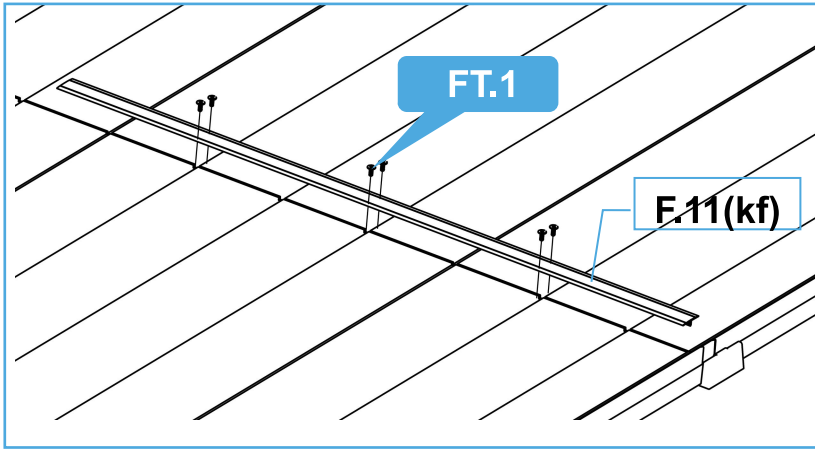
F.14(kf812)
2pcs



F.15(kf812)
2pcs



F.11(kf)
4pcs



FT.1

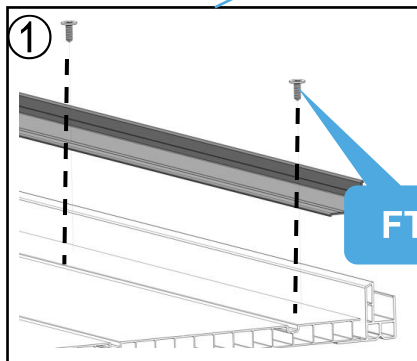
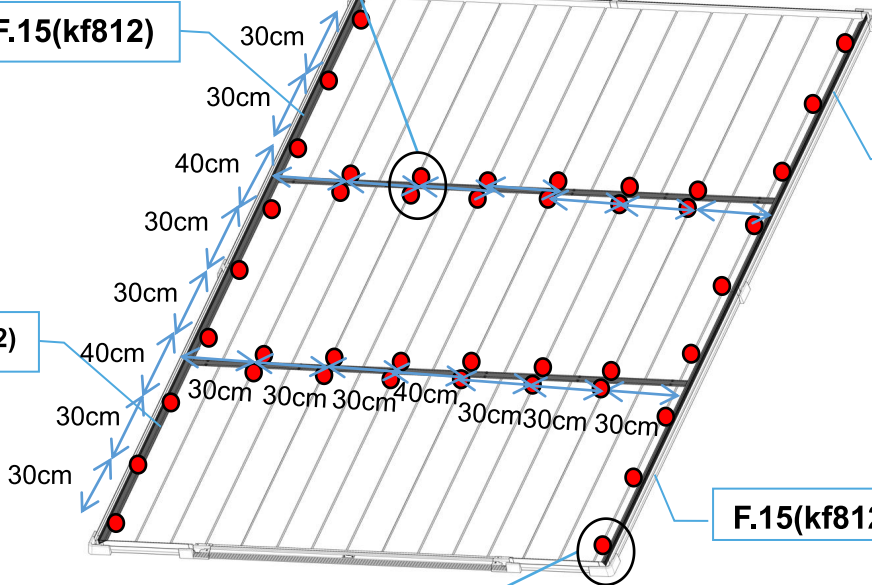
F.11(kf)

F.15(kf812)

F.14(kf812)

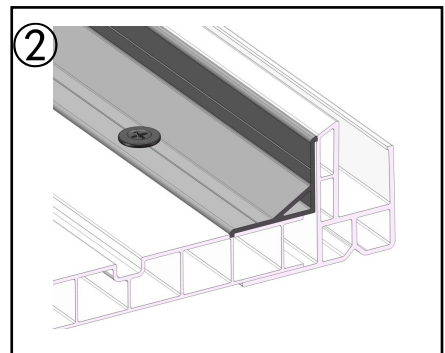
F.14(kf812)

F.15(kf812)









①

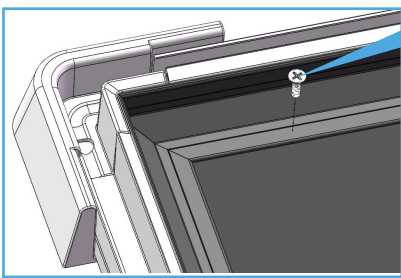
FT.1



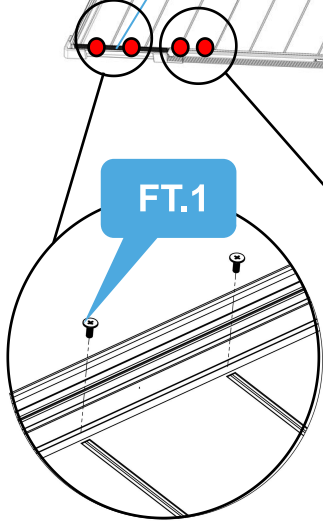
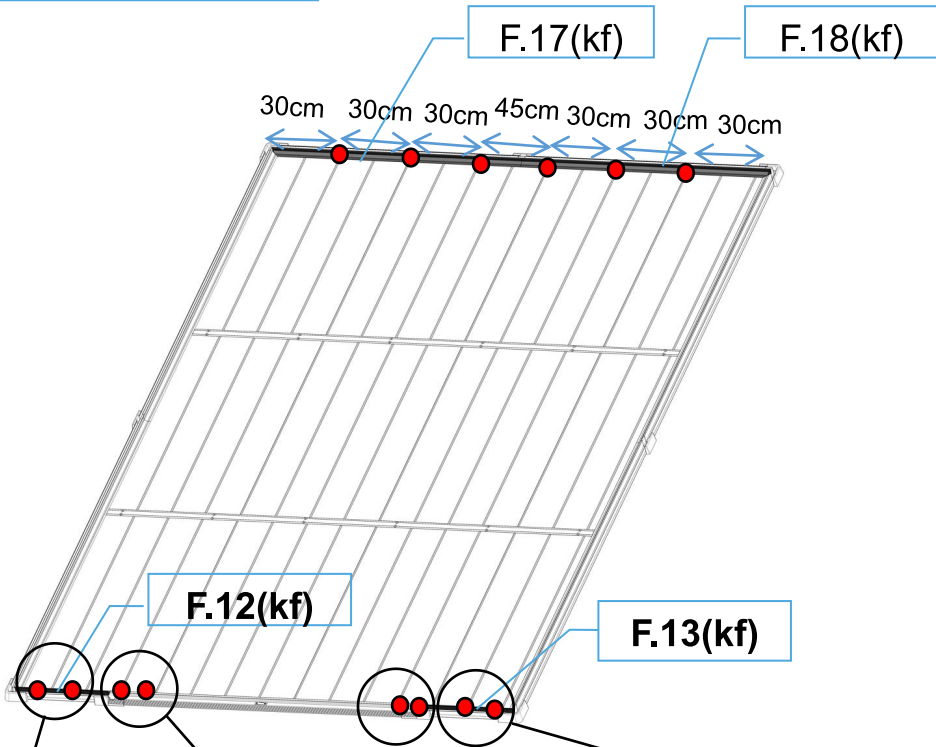
②

7

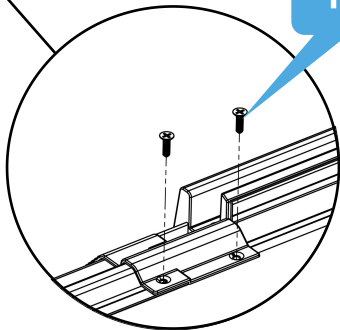
- | | | | | | |
|---|---|---|---|---|---|
|  |  |  |  |  |  |
| F.12(kf)
1pcs | F.13(kf)
1pcs | F.17(kf)
1pcs | F.18(kf)
1pcs | FT.1
10pcs | FT.6
4pcs |



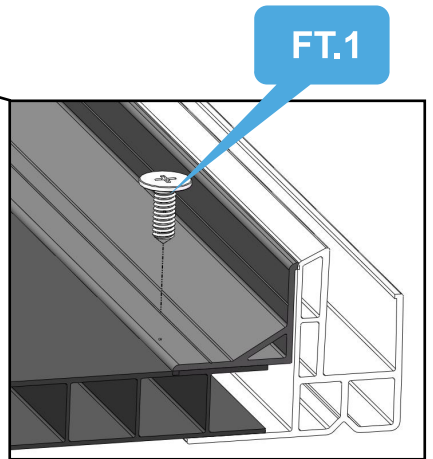
FT.1



FT.1



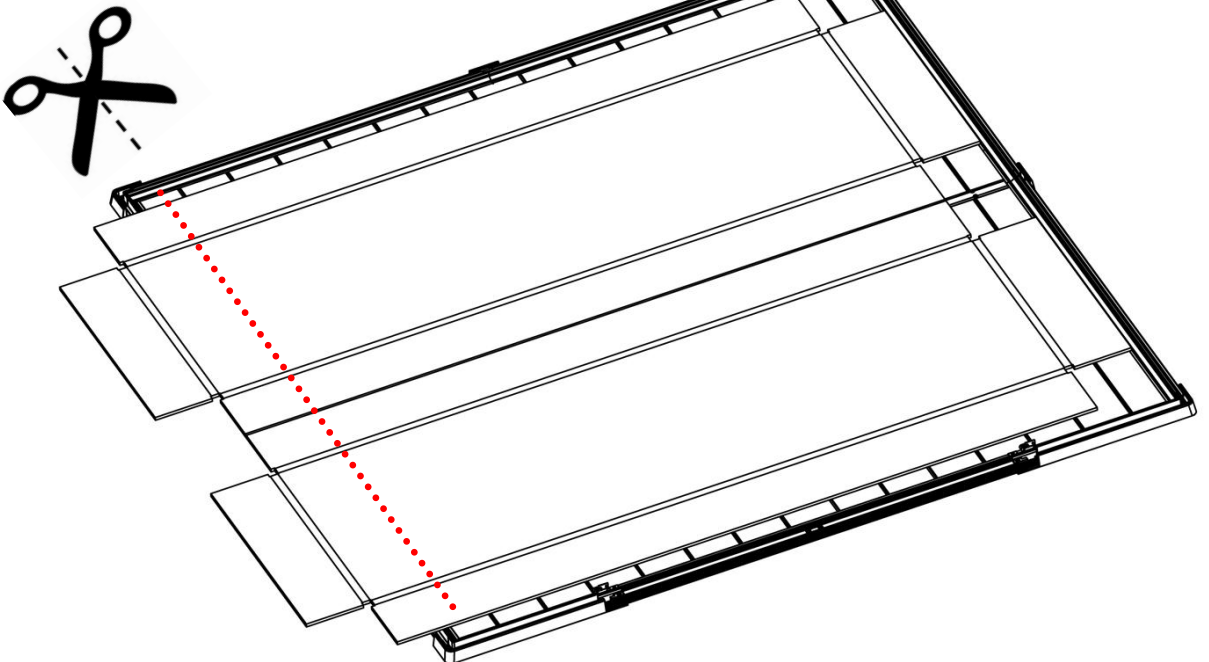
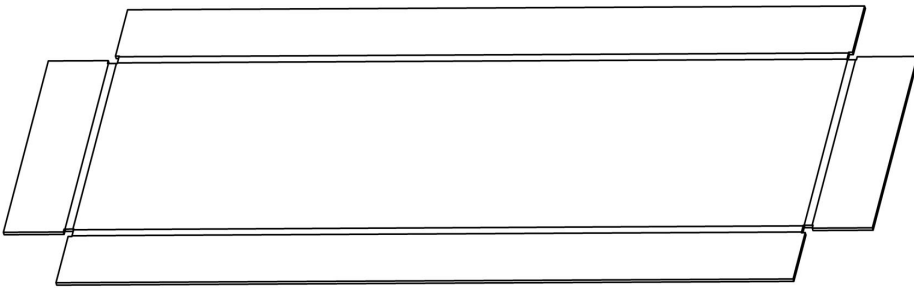
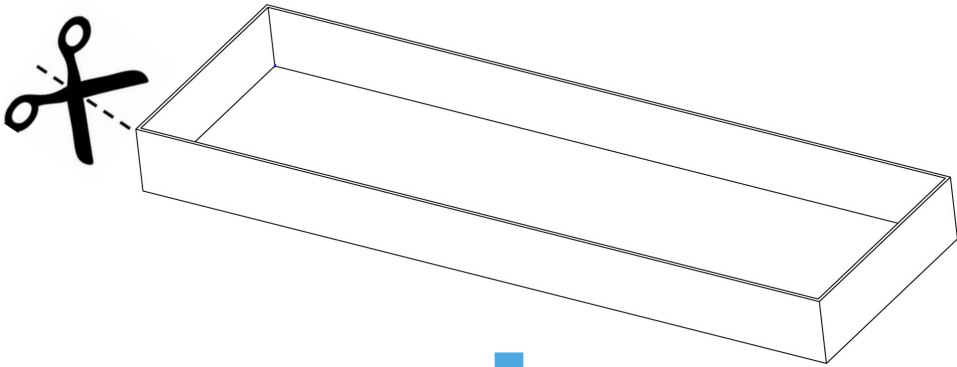
FT.6



FT.1

8

Unfold the cardboard box and lay it on the floor to protect the floor from cracking by the ladder.

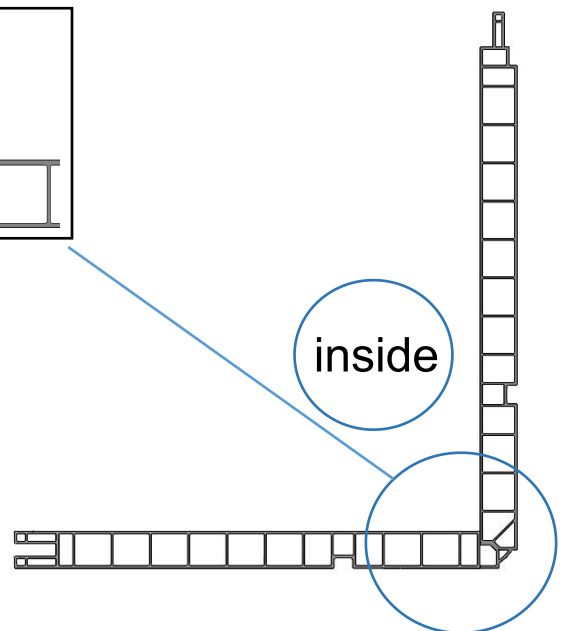
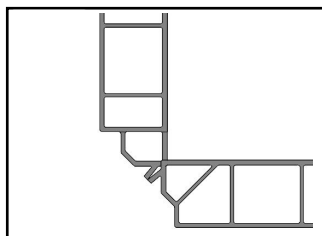
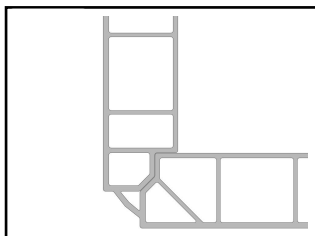
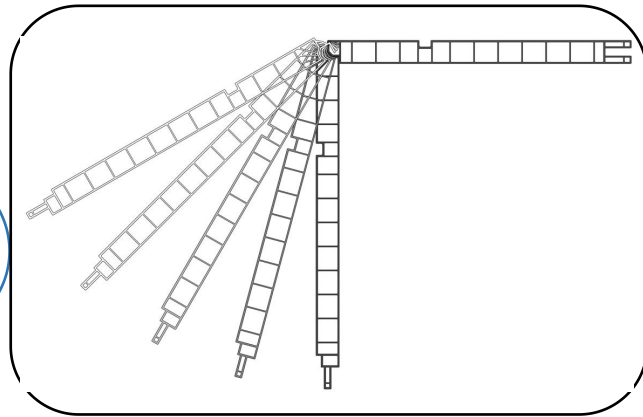
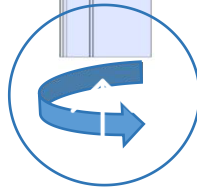
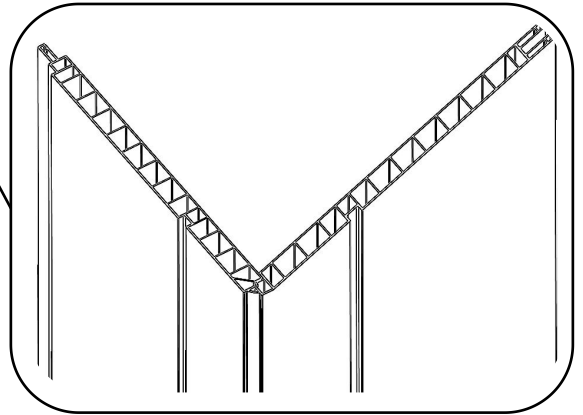
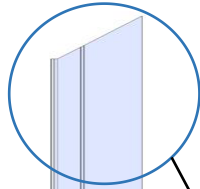
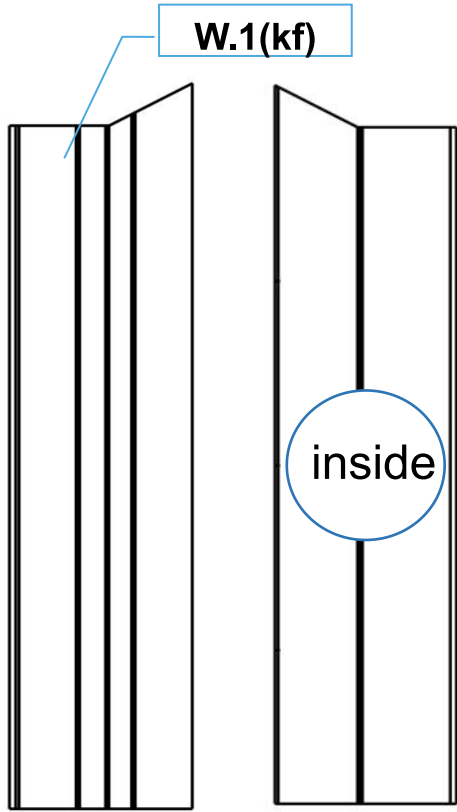


STEP 2 Wall Installation

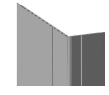
9



W.1(kf)
2pcs

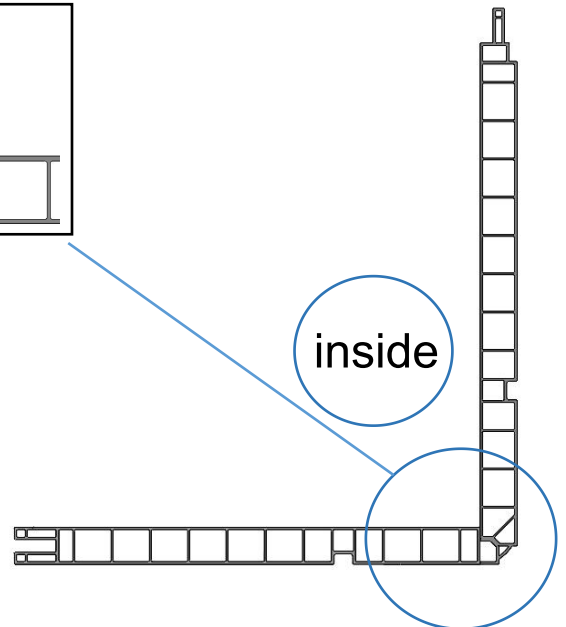
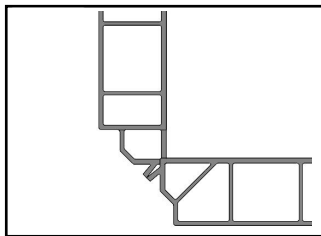
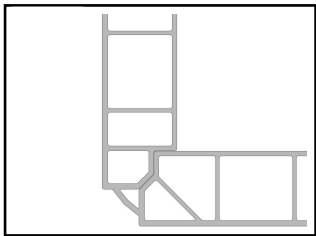
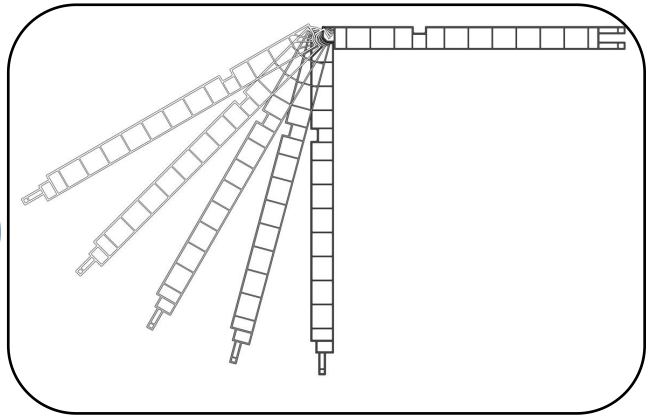
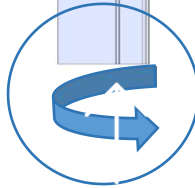
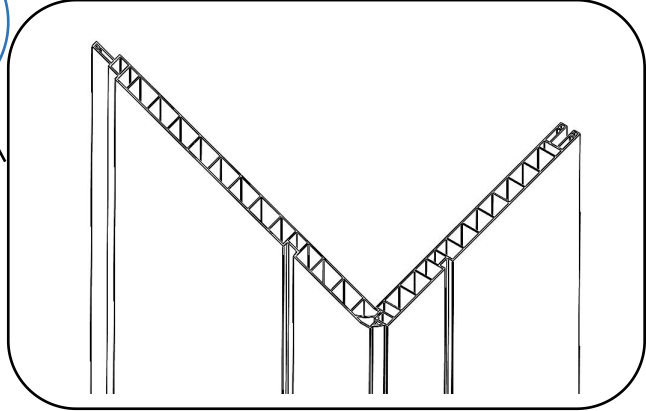
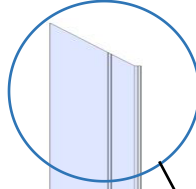
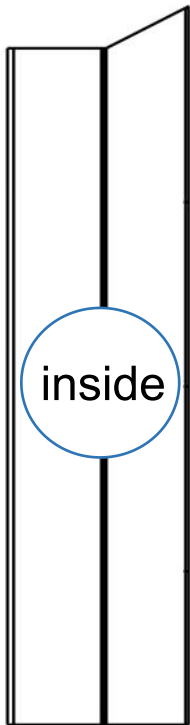
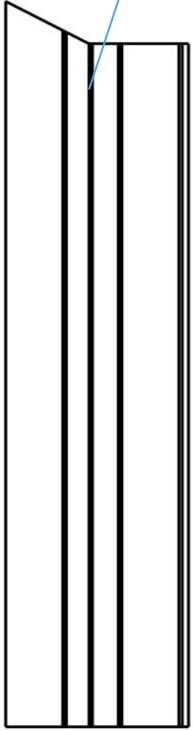


10



W.5(kf)
2pcs

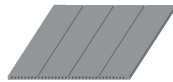
W.5(kf)



11



W.1(kf)
1pcs



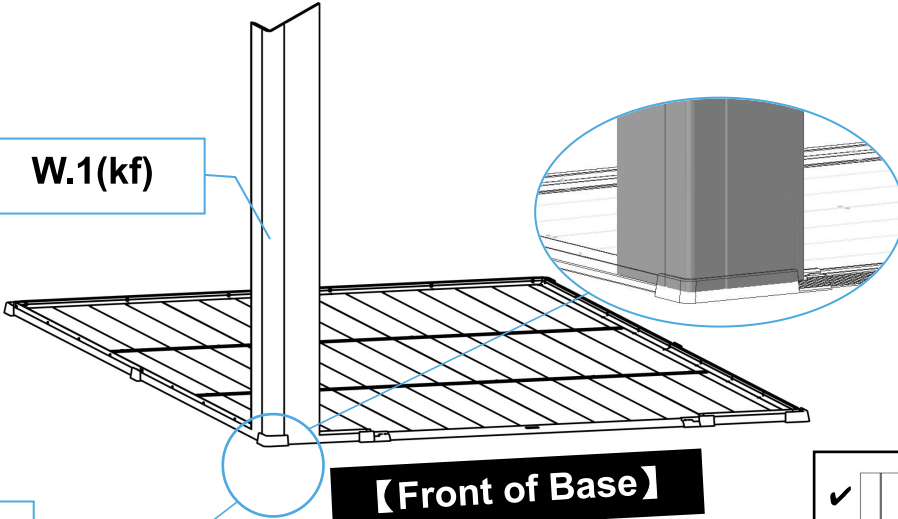
W.2(kf)
2pcs



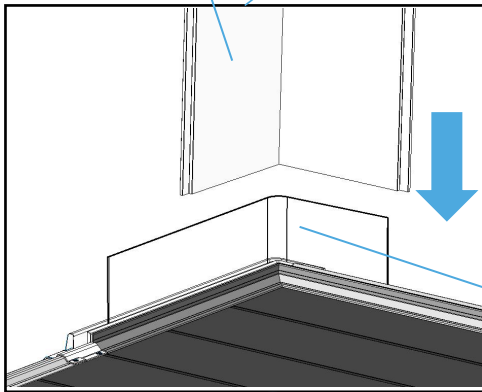
(FT.1)
2pcs

①

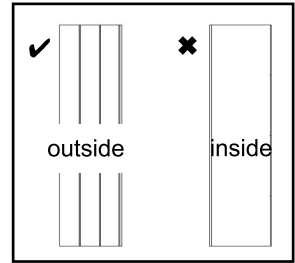
W.1(kf)



W.1(kc)



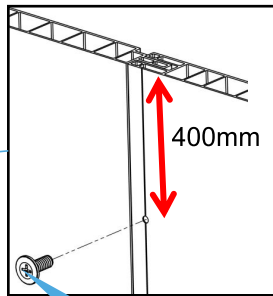
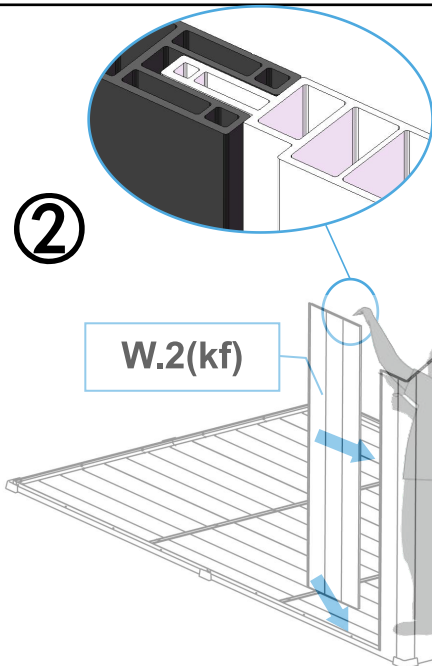
【Front of Base】



Install with a bootstrap (the guide piece)

②

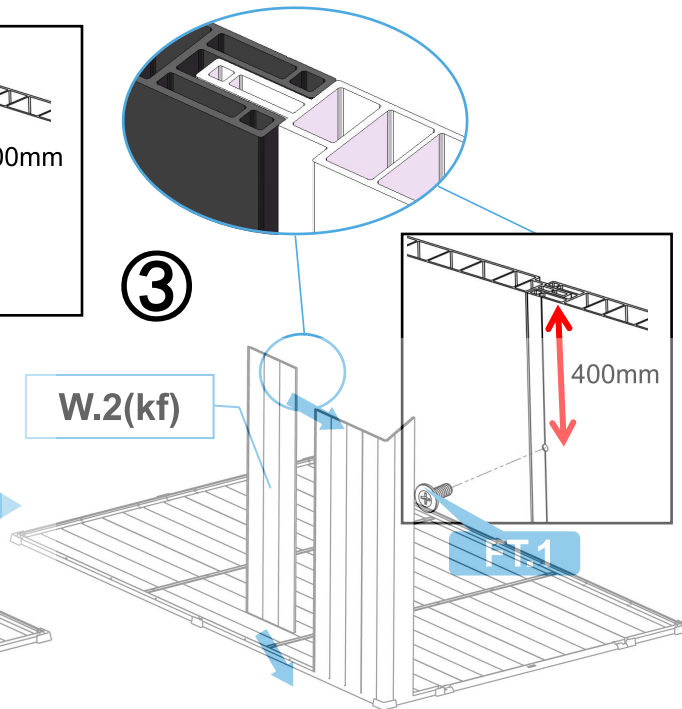
W.2(kf)



FT.1

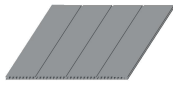
③

W.2(kf)



FT.1

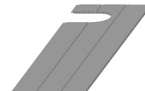
12



W.2(kf)
1pcs



W.3(kf)
1pcs

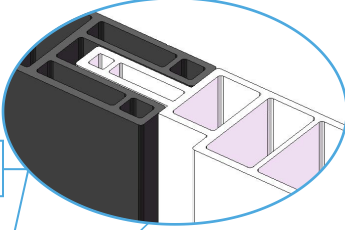


W.4(kf)
1pcs

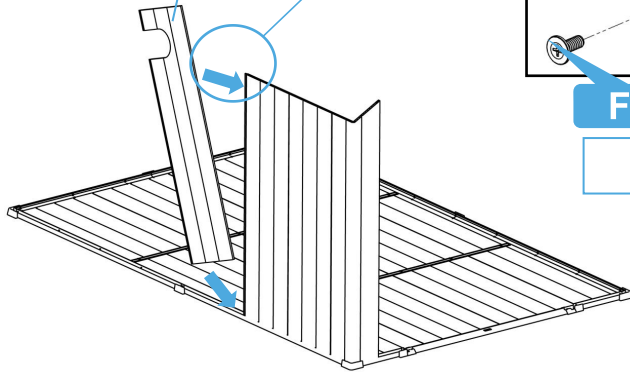


(FT.1)
3pcs

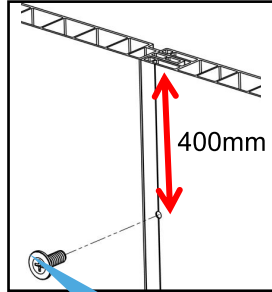
①



W.4(kf)

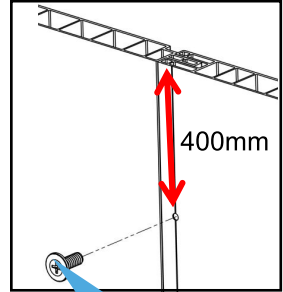
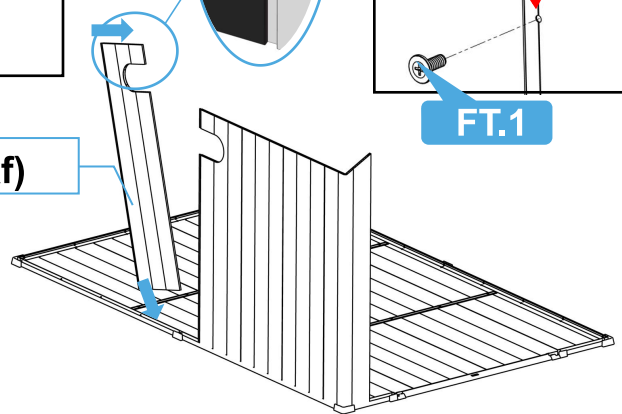


②



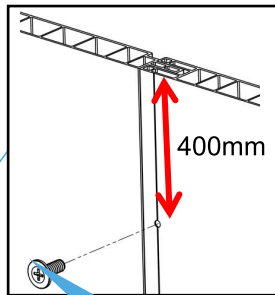
FT.1

W.3(kf)



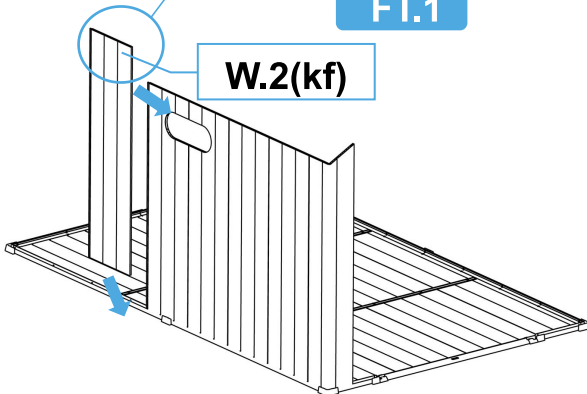
FT.1

③

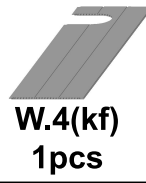
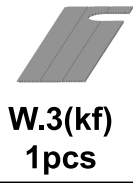


FT.1

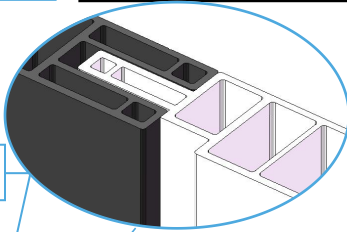
W.2(kf)



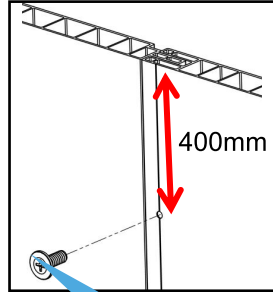
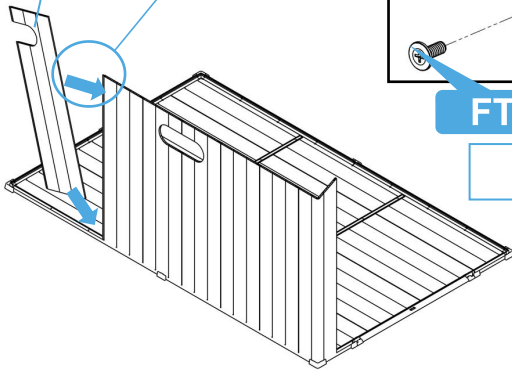
13



①



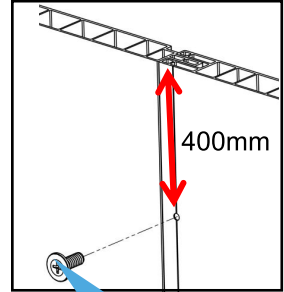
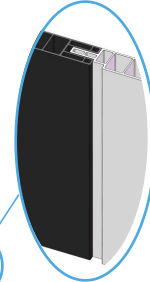
W.4(kf)



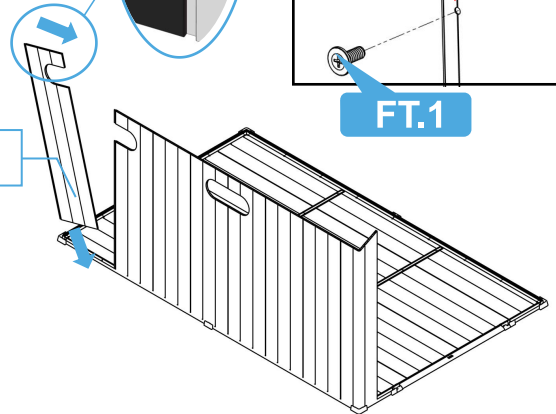
FT.1

W.3(kf)

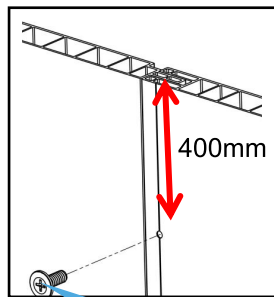
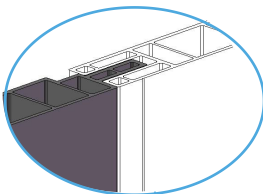
②



FT.1

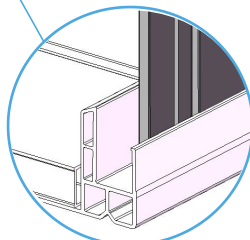
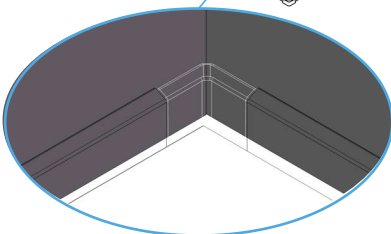
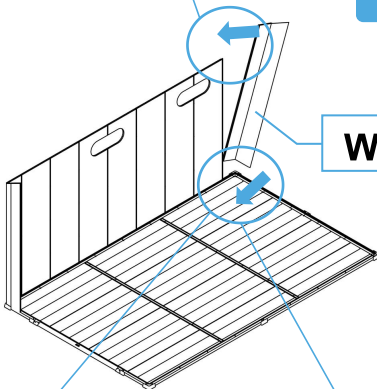


③

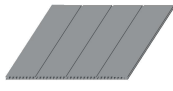


FT.1

W.5(kf)



14



W.2(kf)
4pcs

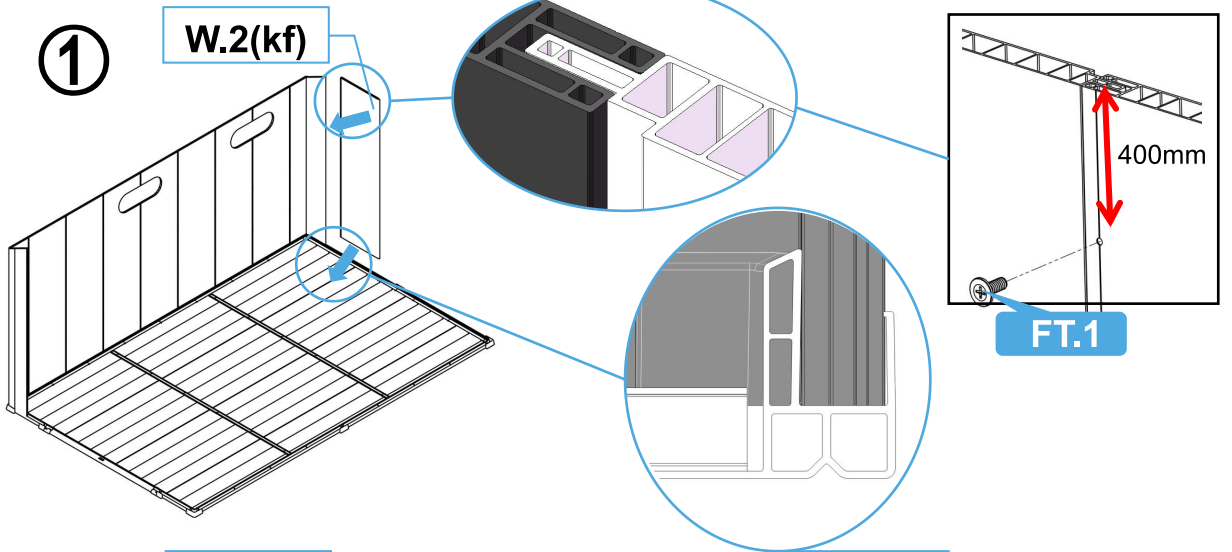


W.1(kf)
1pcs

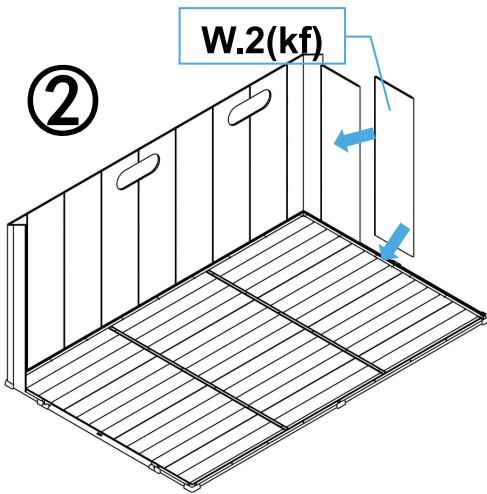


(FT.1)
5pcs

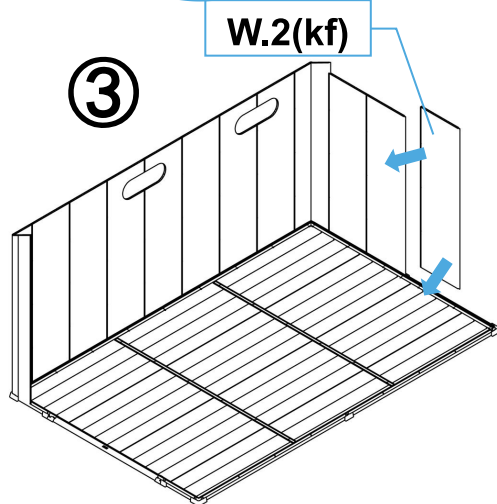
①



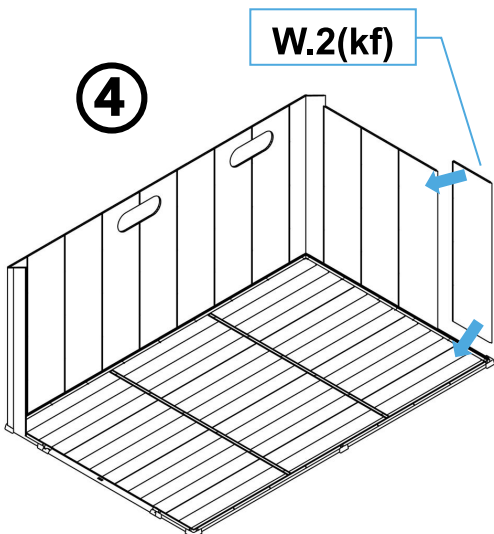
②



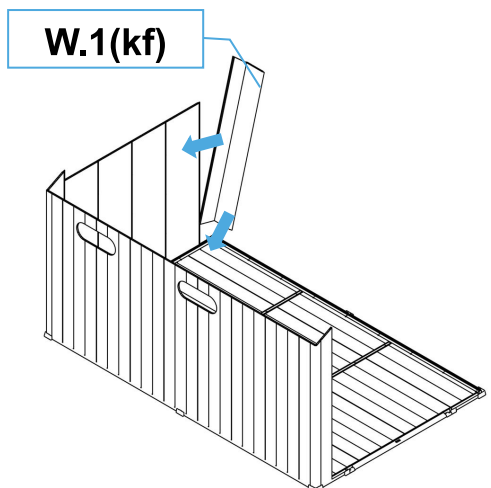
③



④



⑤



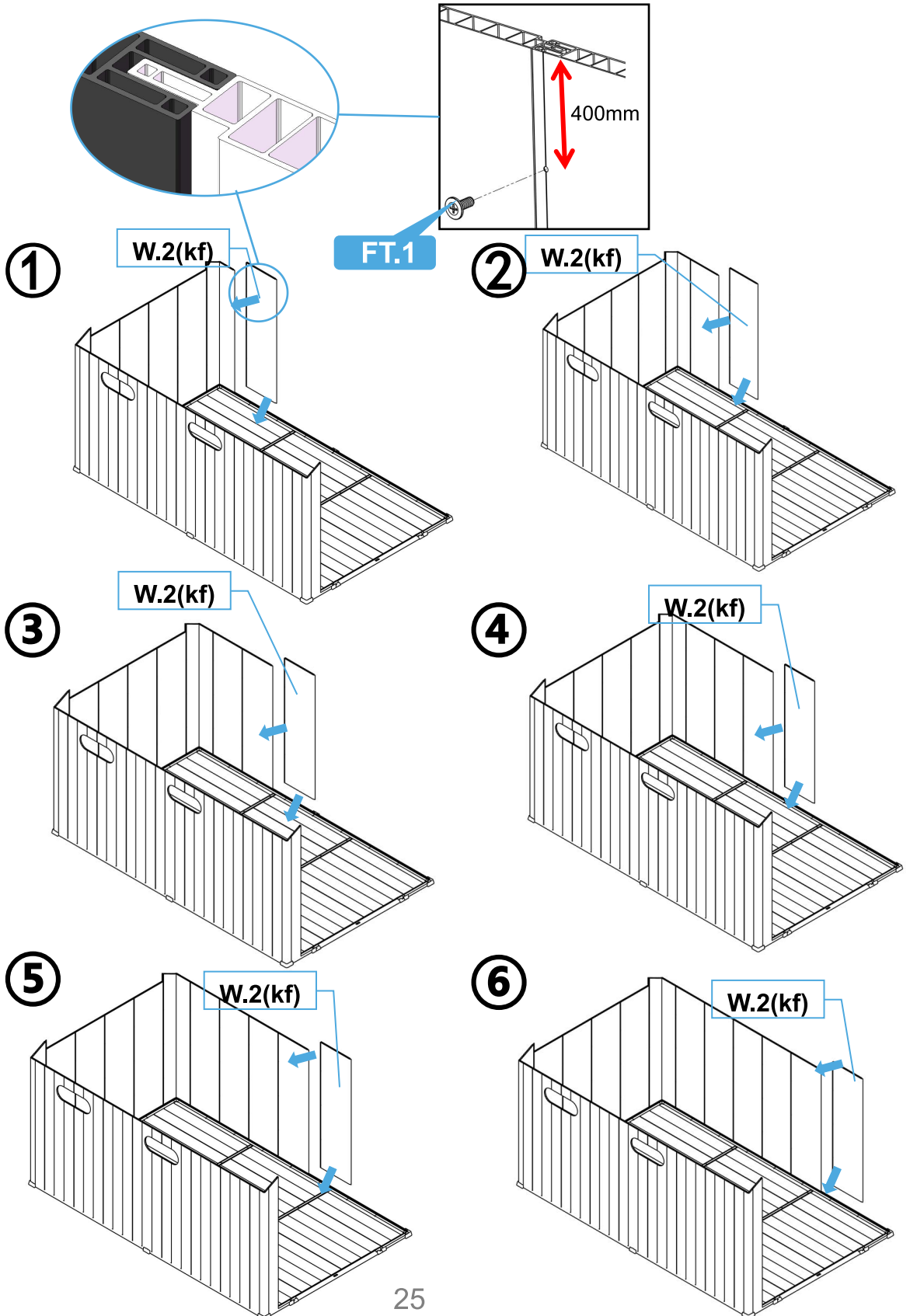
15



W.2(kf)
6pcs



(FT.1)
6pcs



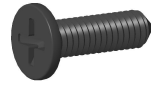
16



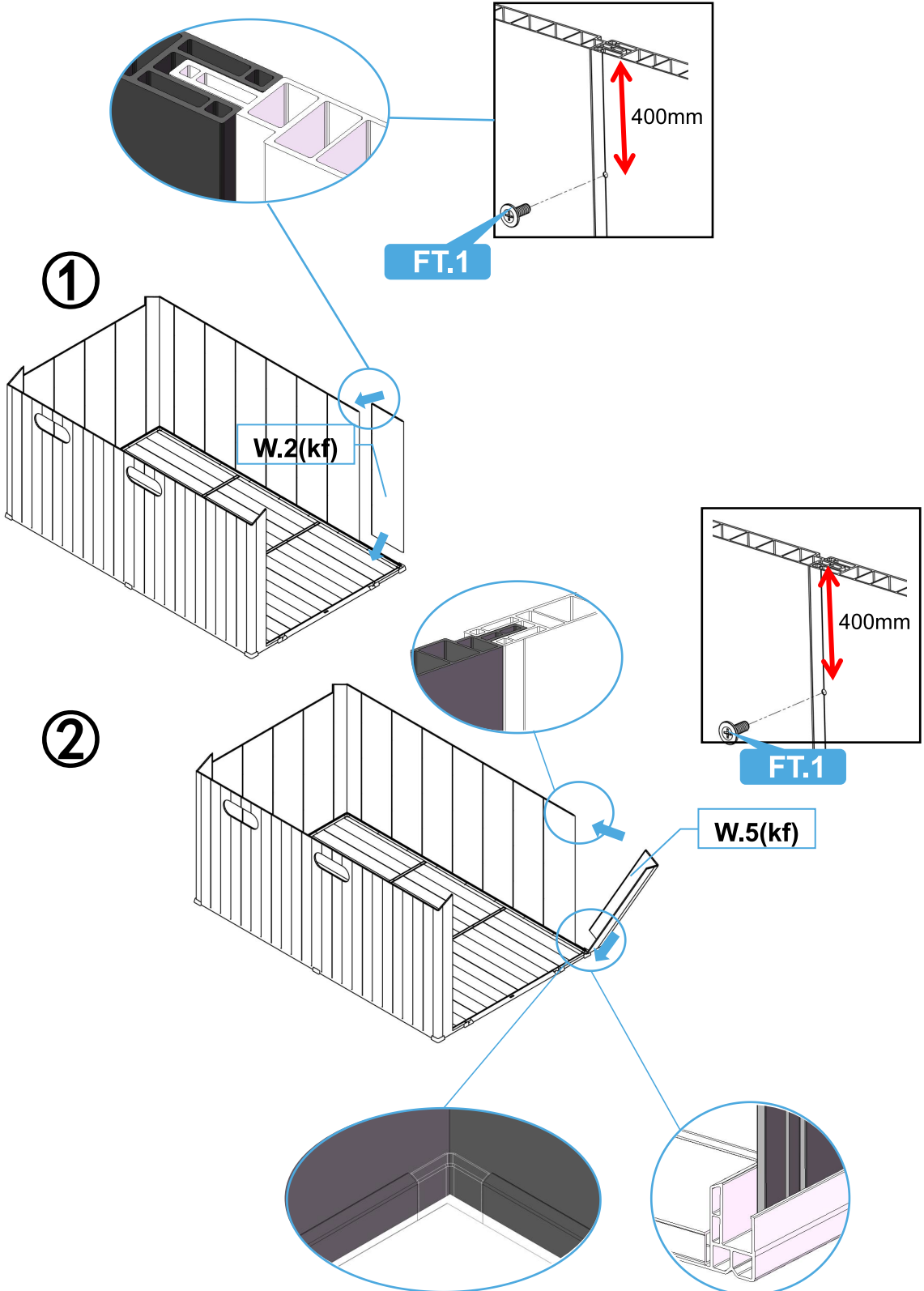
W.5(kf)
1pcs



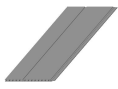
W.2(kf)
1pcs

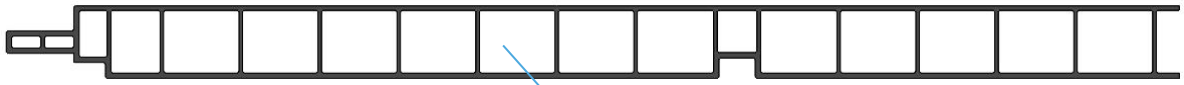


(FT.1)
2pcs

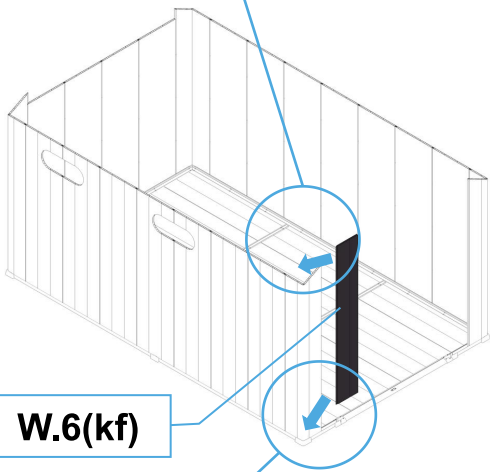
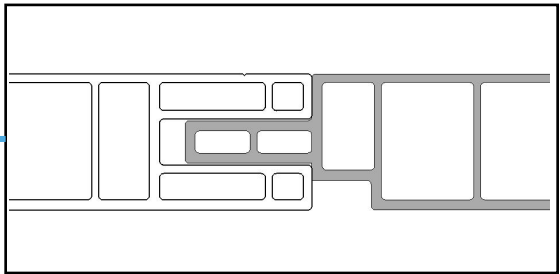
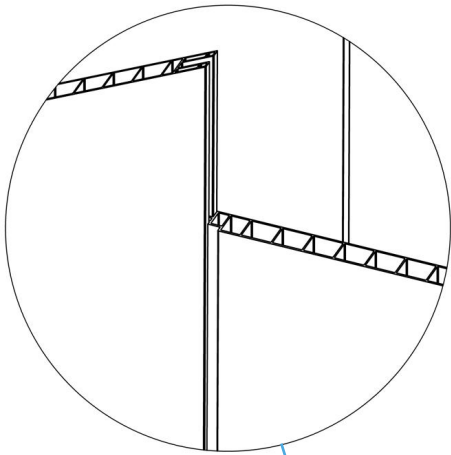


17

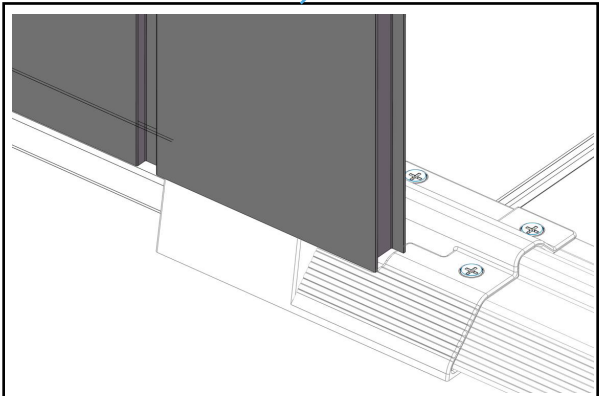

W.6(kf)
1pcs



W.6(kf)



W.6(kf)

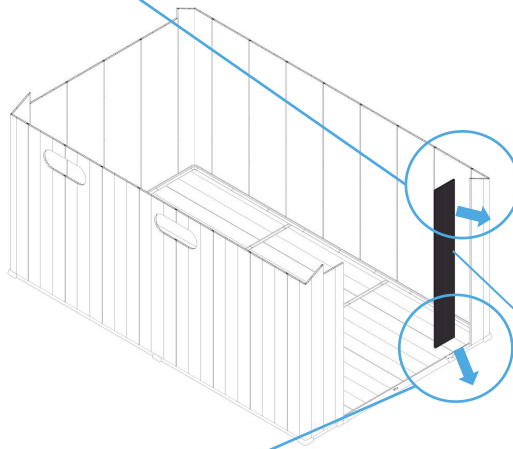
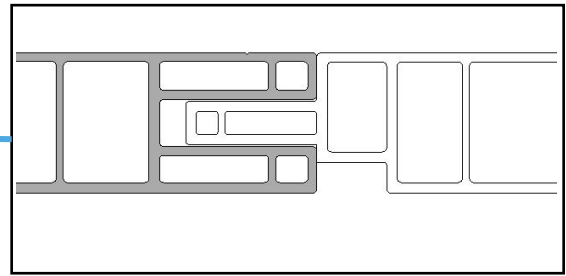
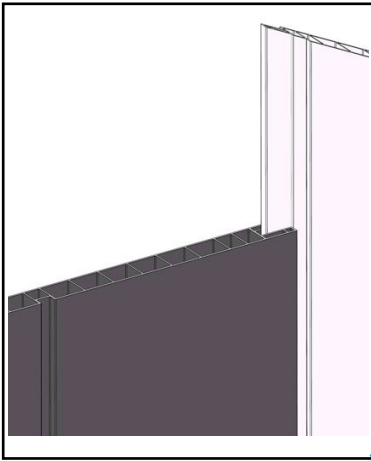


18

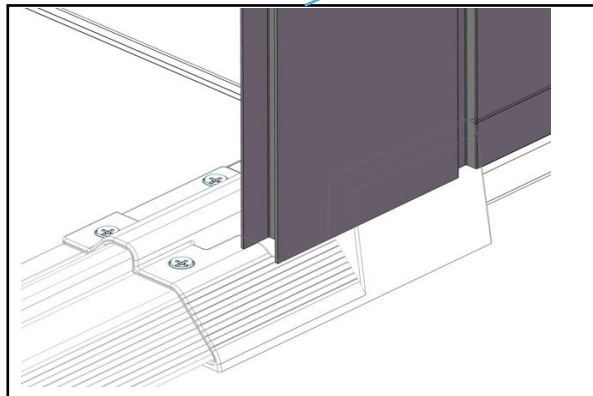
W.7(kf)
1pcs



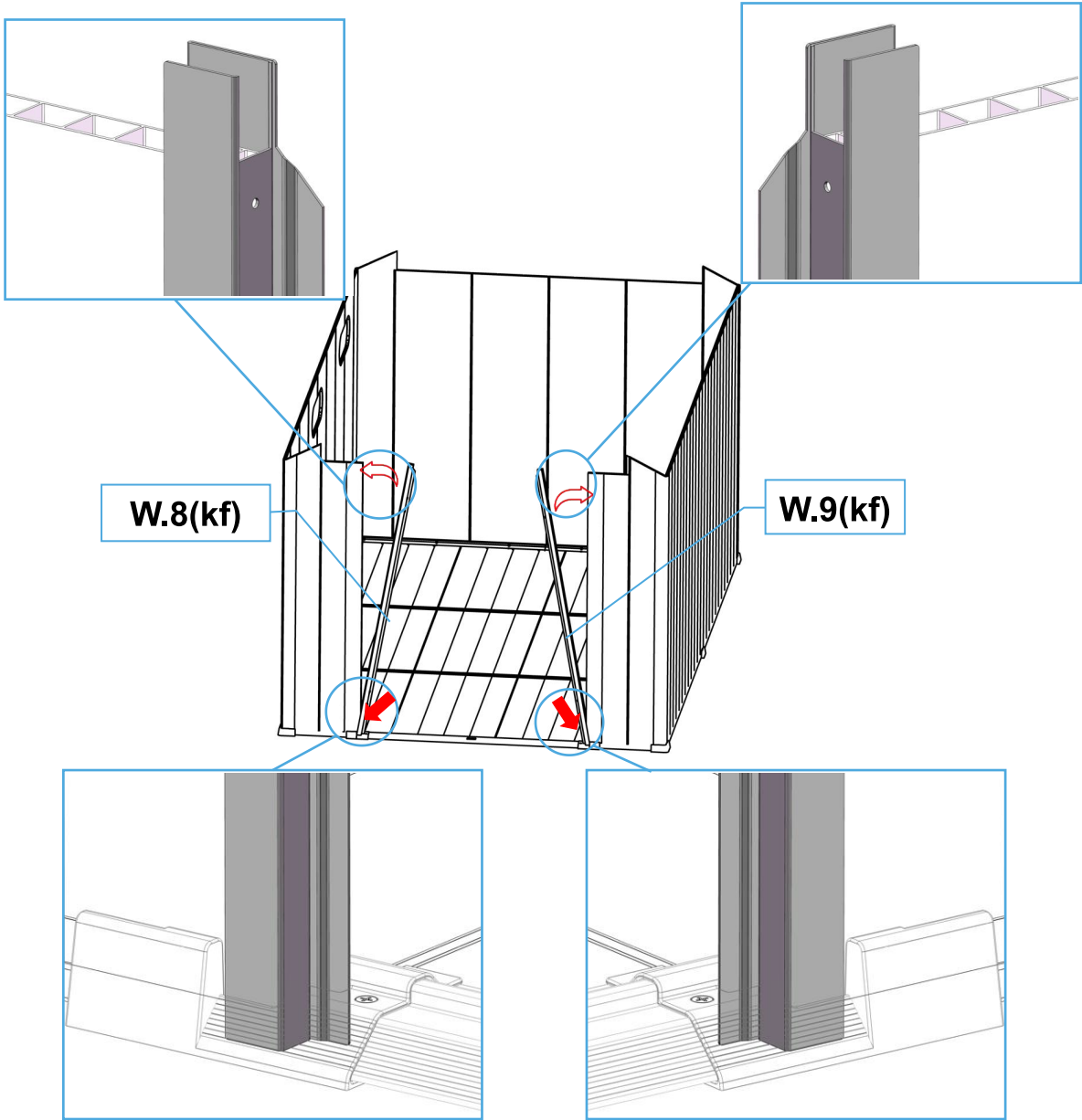
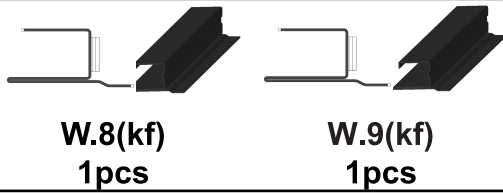
W.7(kf)



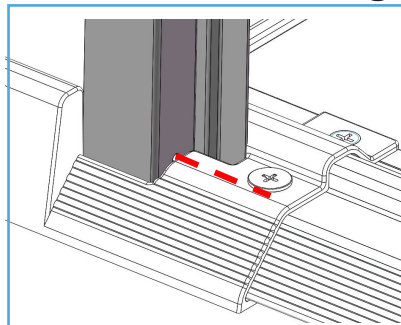
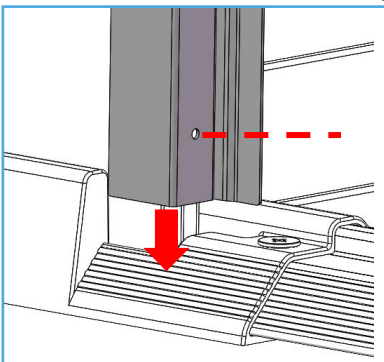
W.7(kf)



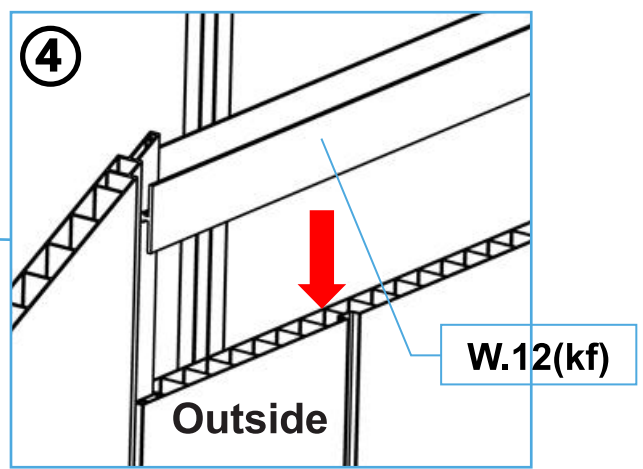
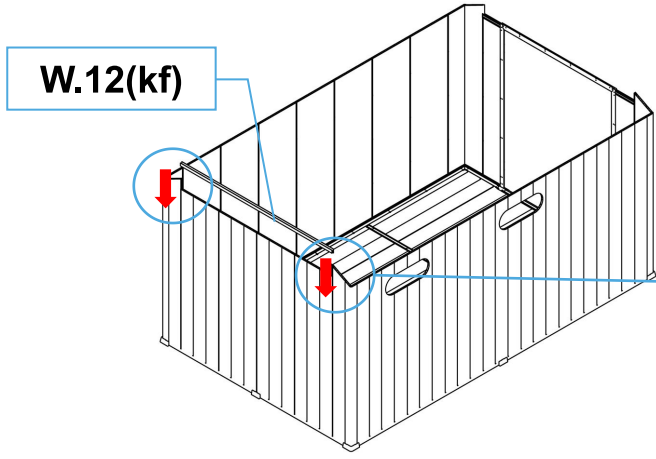
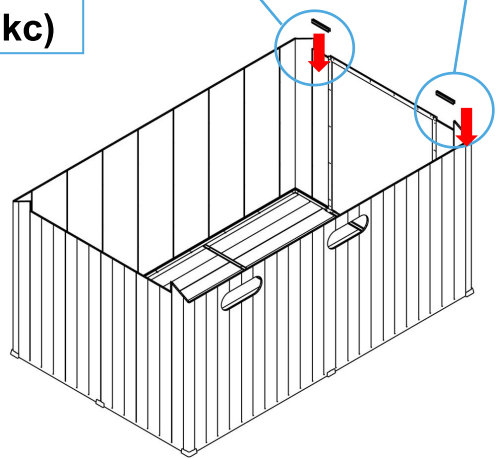
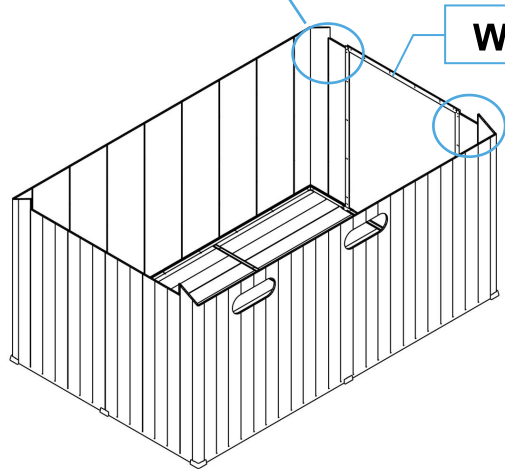
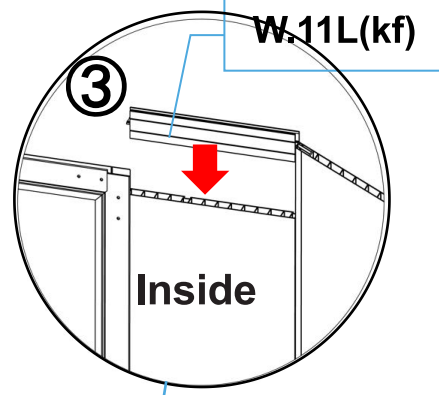
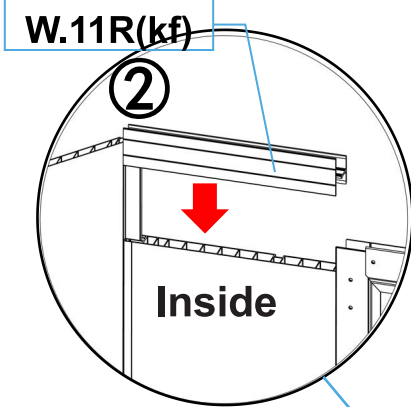
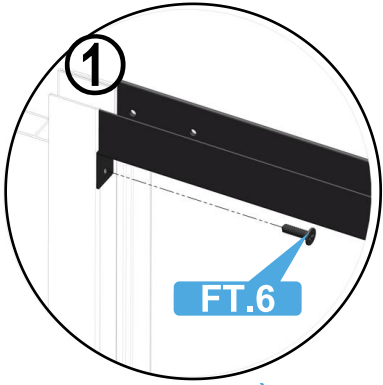
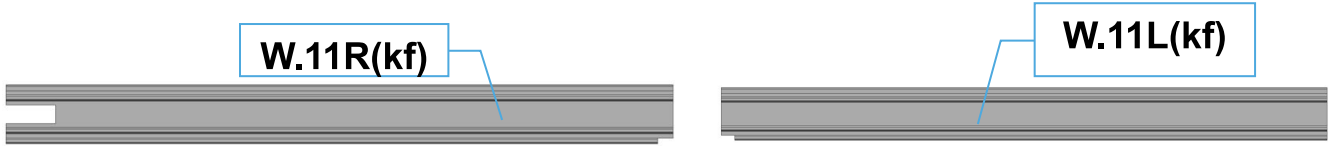
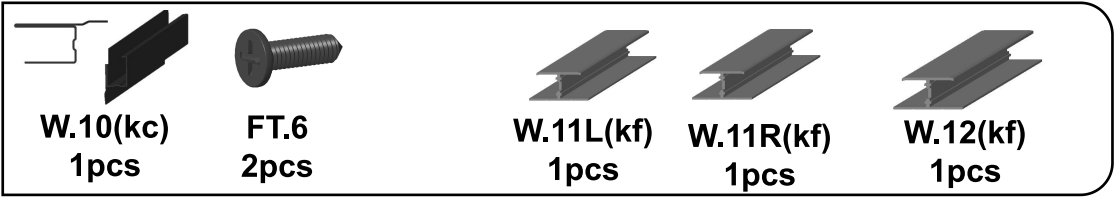
19



Insert the vertical edges into the left and right door frames



20



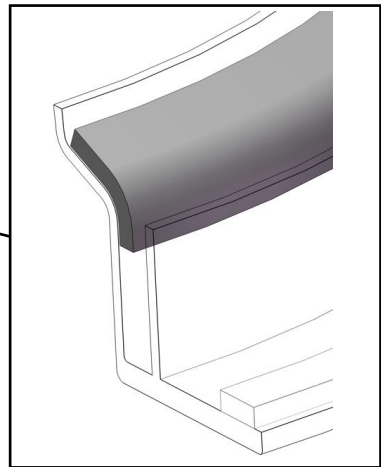
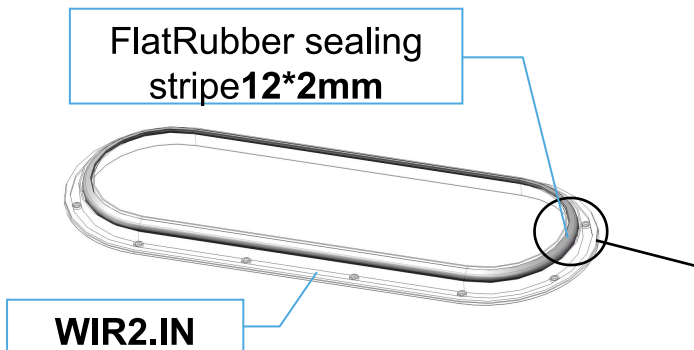
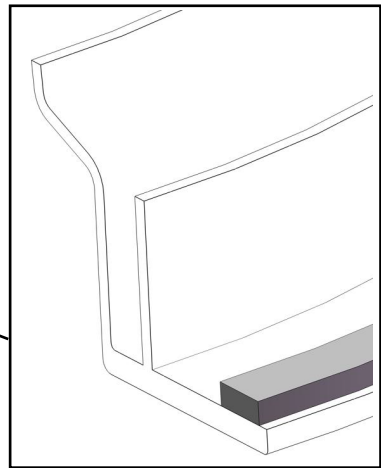
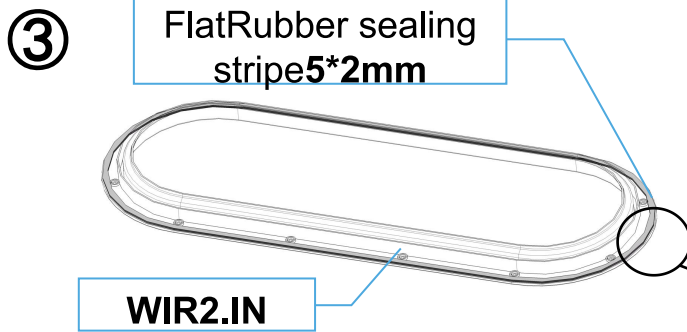
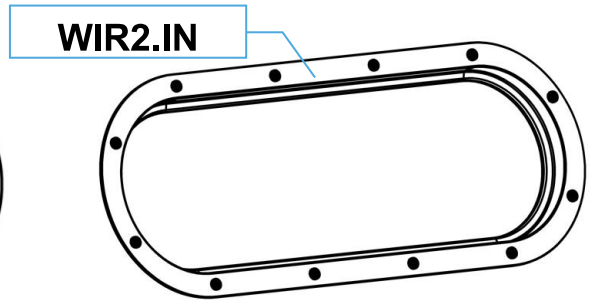
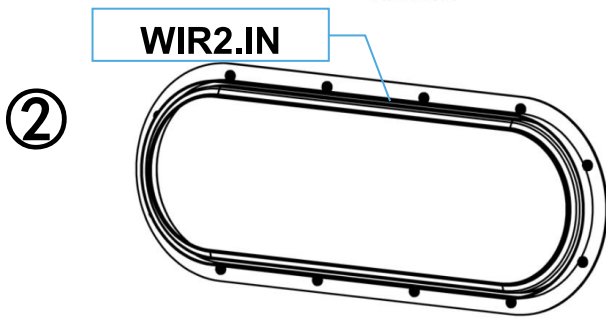
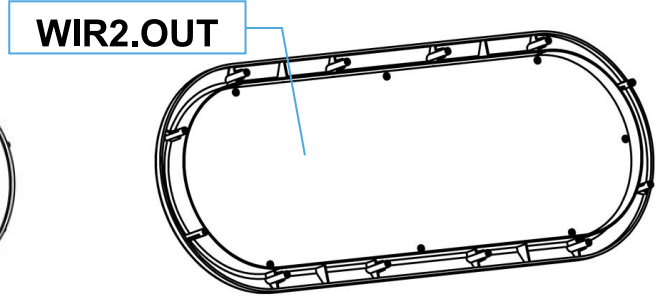
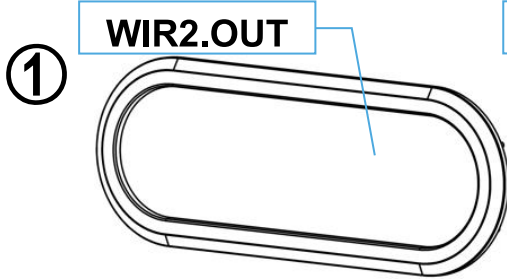
21


WIR2.OUT
X2


WIR2.IN
X2


Flat Rubber sealing
stripe **12*2mm**
X2

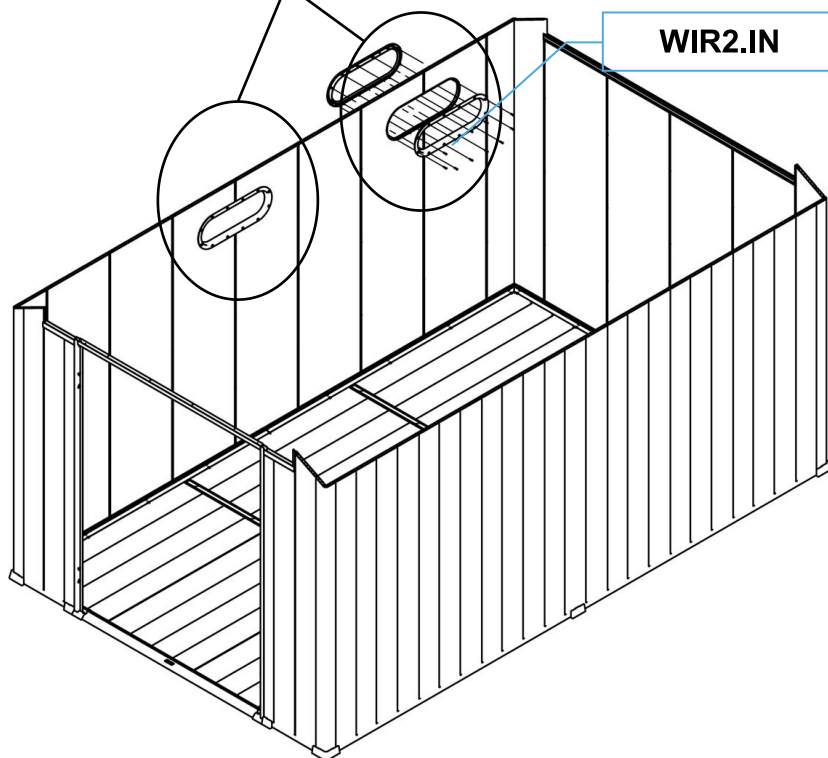
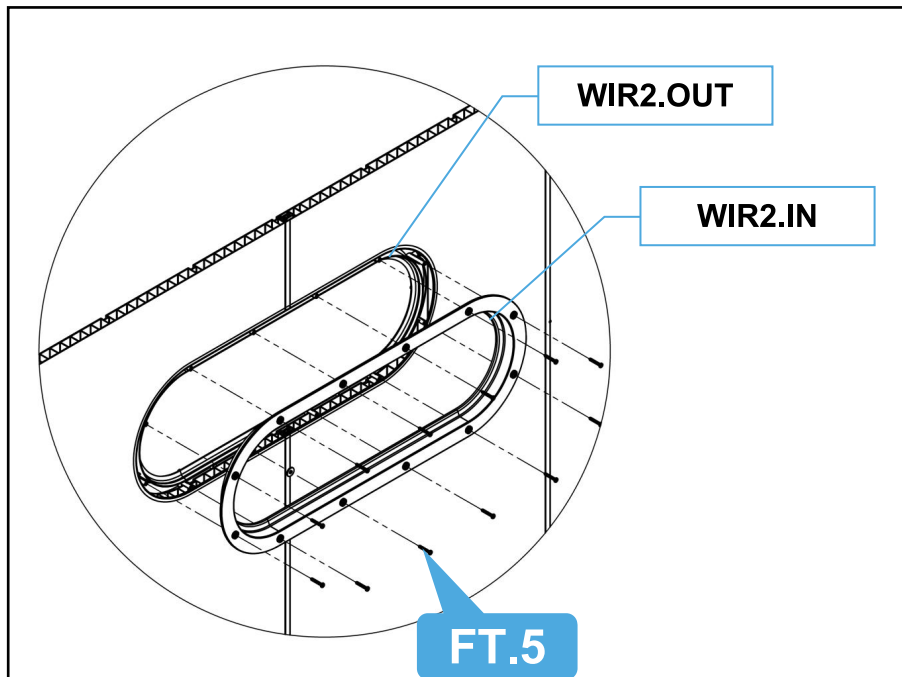

Flat Rubber sealing
stripe **5*2mm**
X2



22



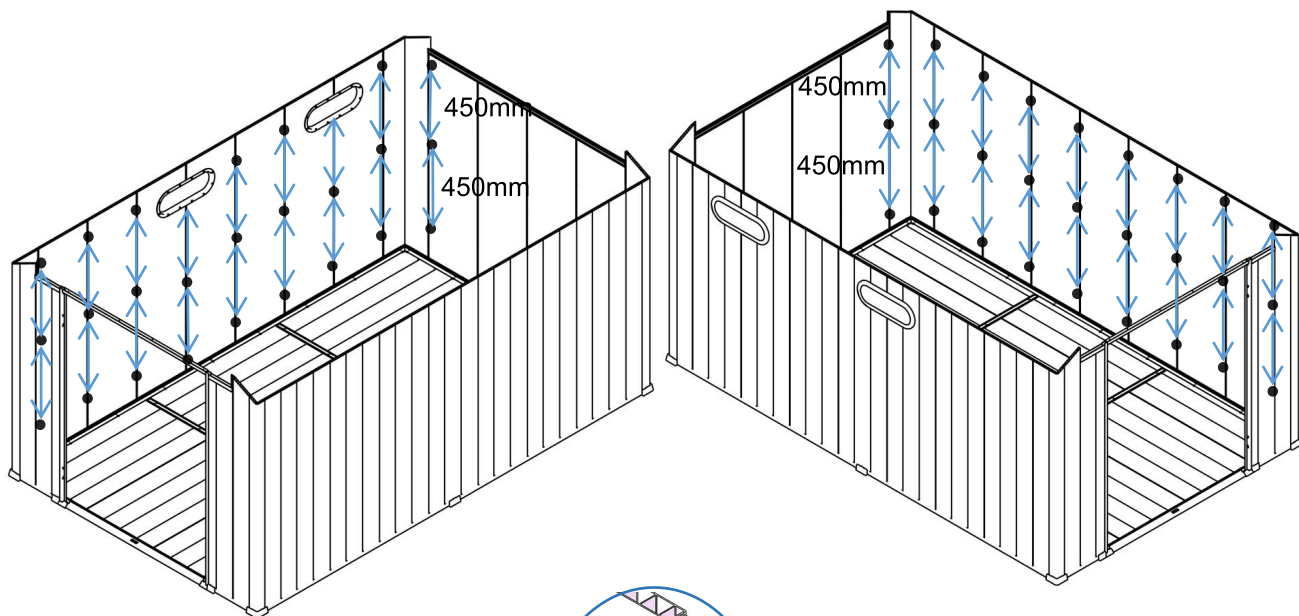
FT.5
12pcs



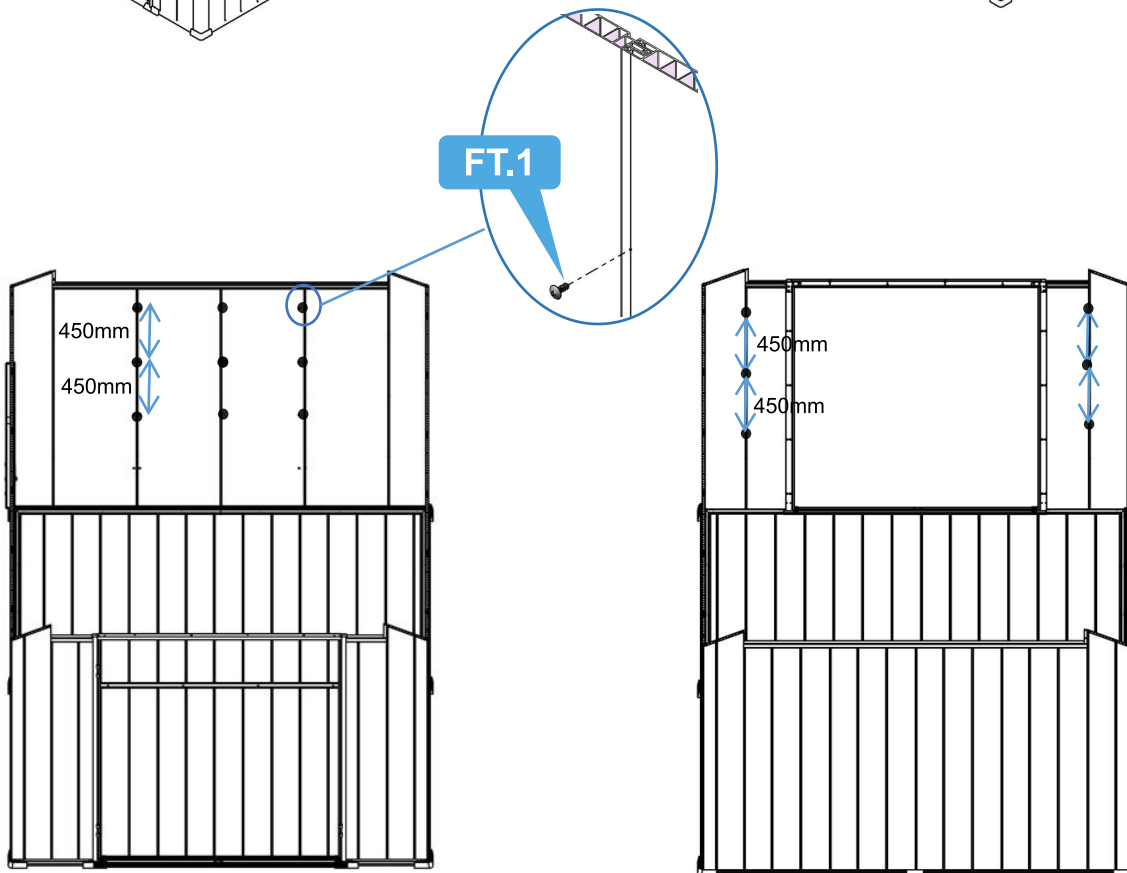
23



FT.6
65pcs



FT.1

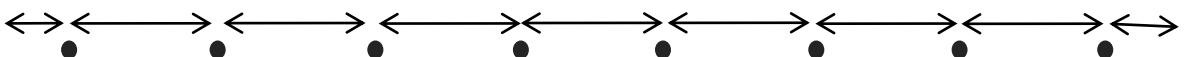
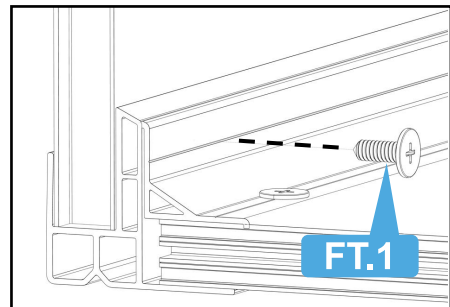
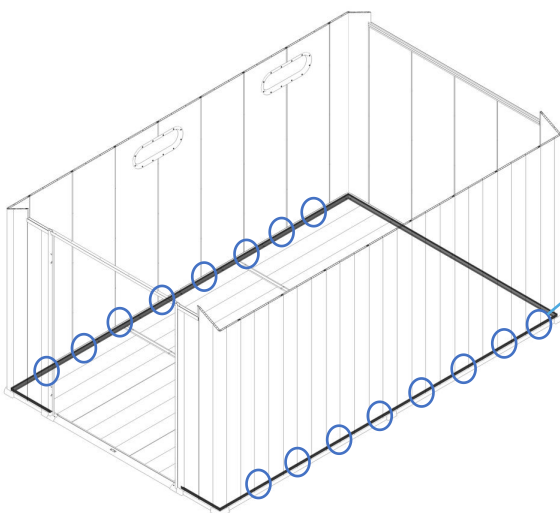
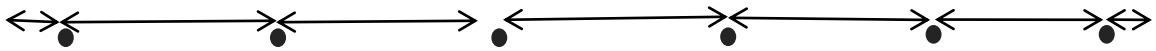
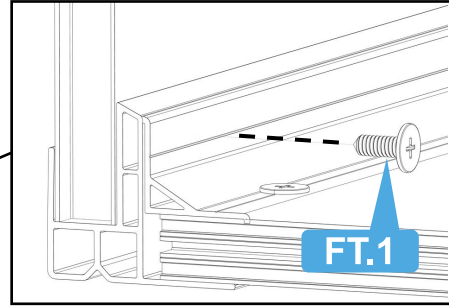
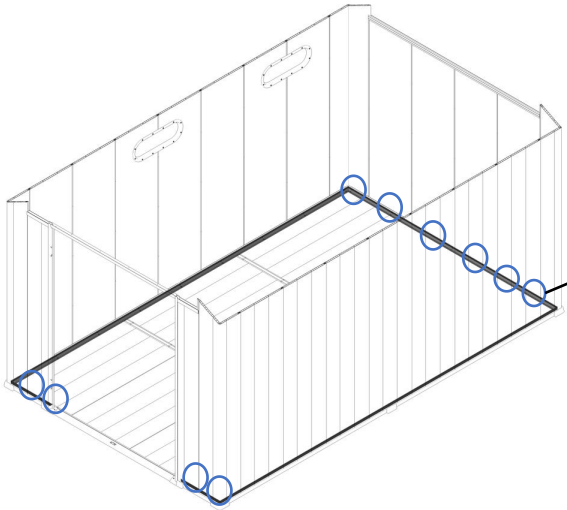


Pay attention to the force.
Excessive force may damage the plastic panel.

24



FT.1
26pcs

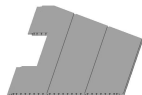


STEP 3 Roof Installation

25



W.14(kf8)
2pcs



W.15(kf8)
2pcs



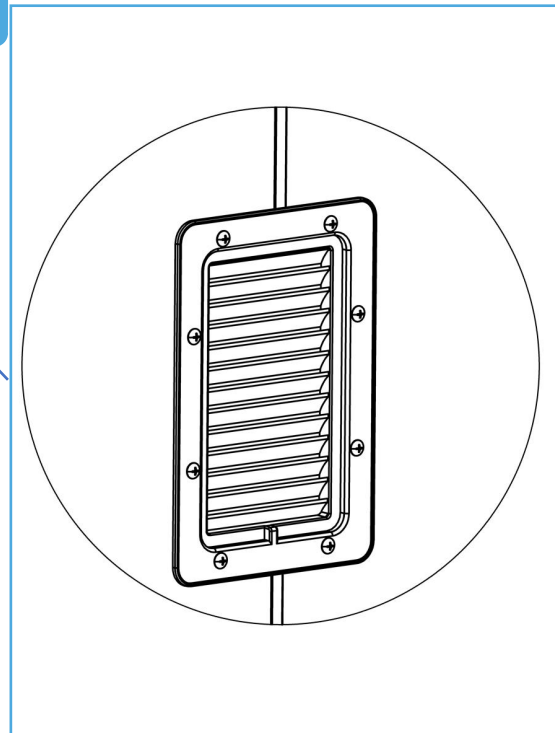
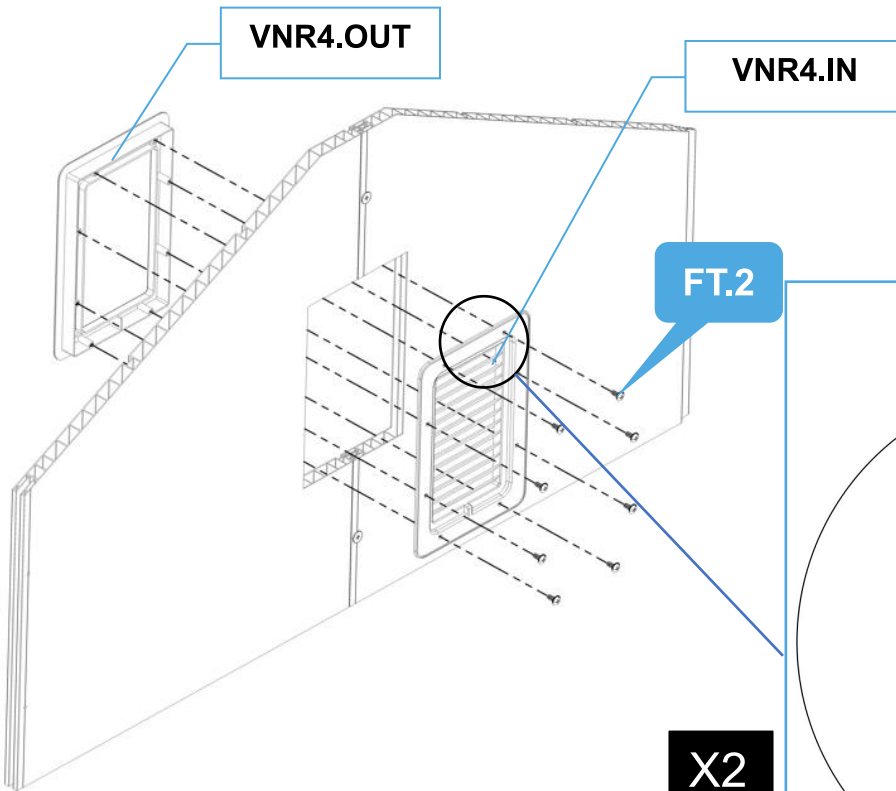
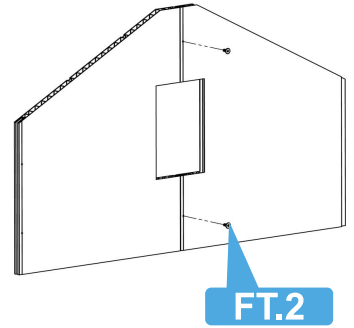
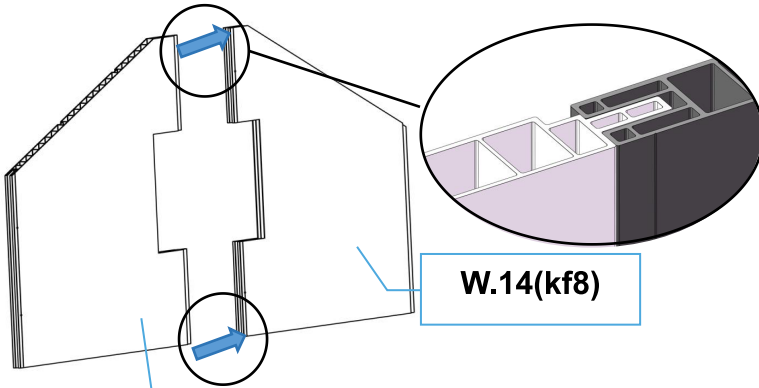
VNR4.OUT
2pcs



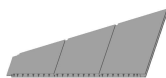
VNR4.IN
2pcs



FT.2
16pcs



26



W.13(kf)
2pcs



W.16(k6)
2pcs



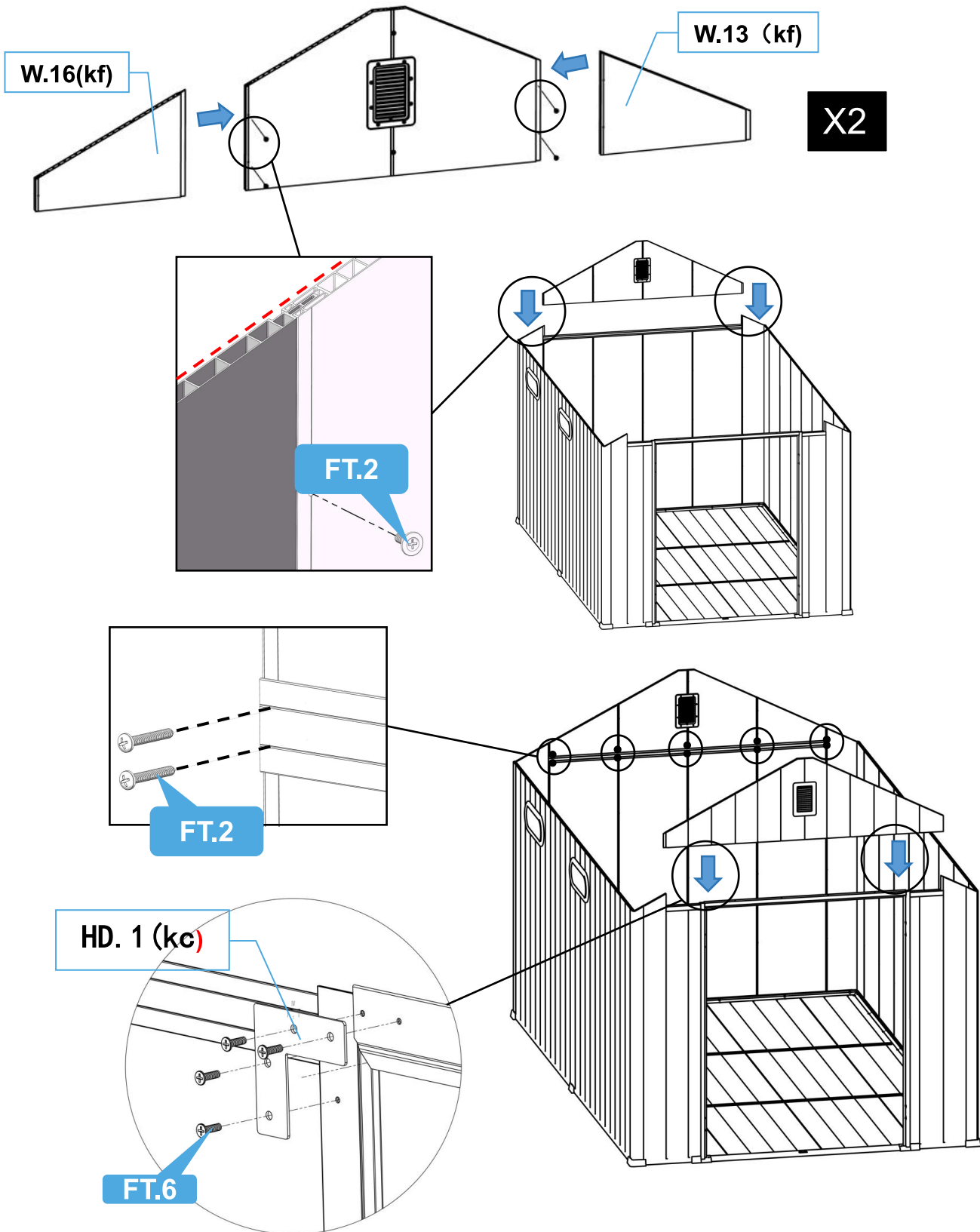
FT.2
18pcs



HD.1(kc)
2pcs



FT.6
8pcs



27



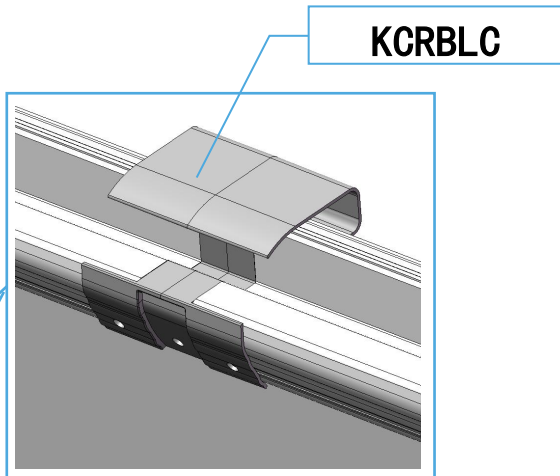
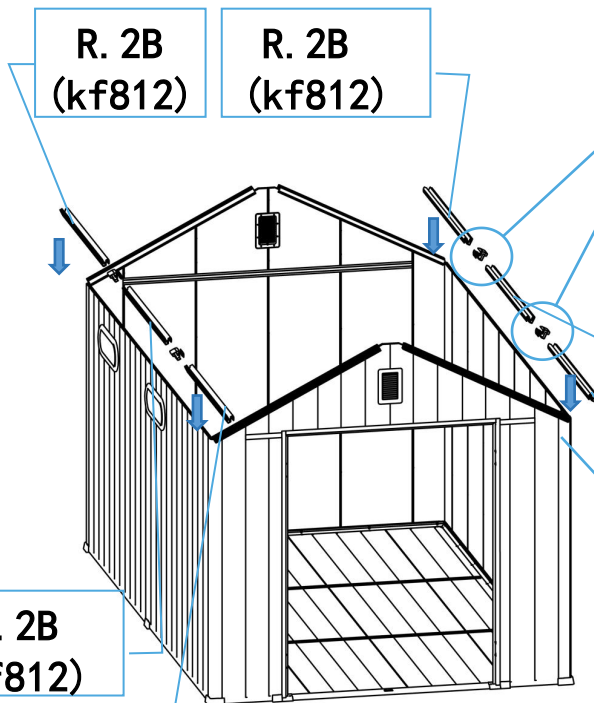
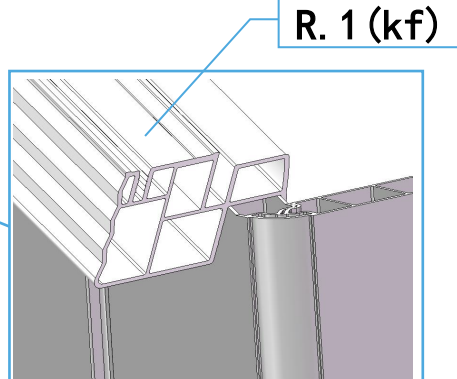
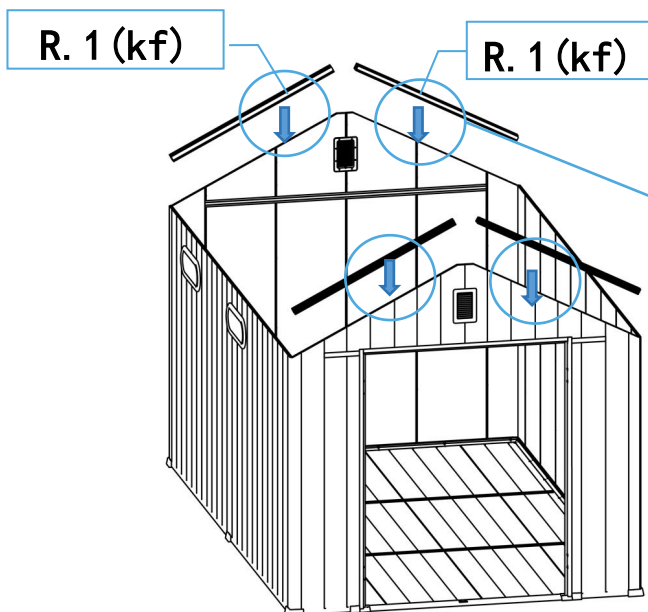
R.1(kf)
4pcs



R.2B(kf812)
6pcs



KCRBLC
4pcs



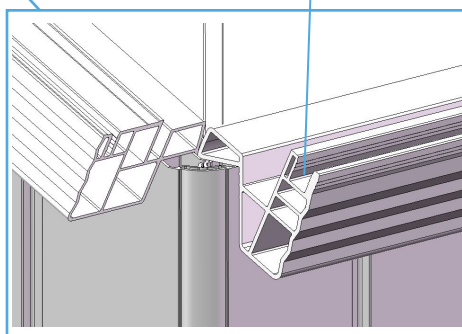
R. 2B (kf812)

R. 2B (kf812)


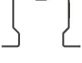
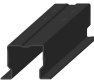



R. 2B (kf812)

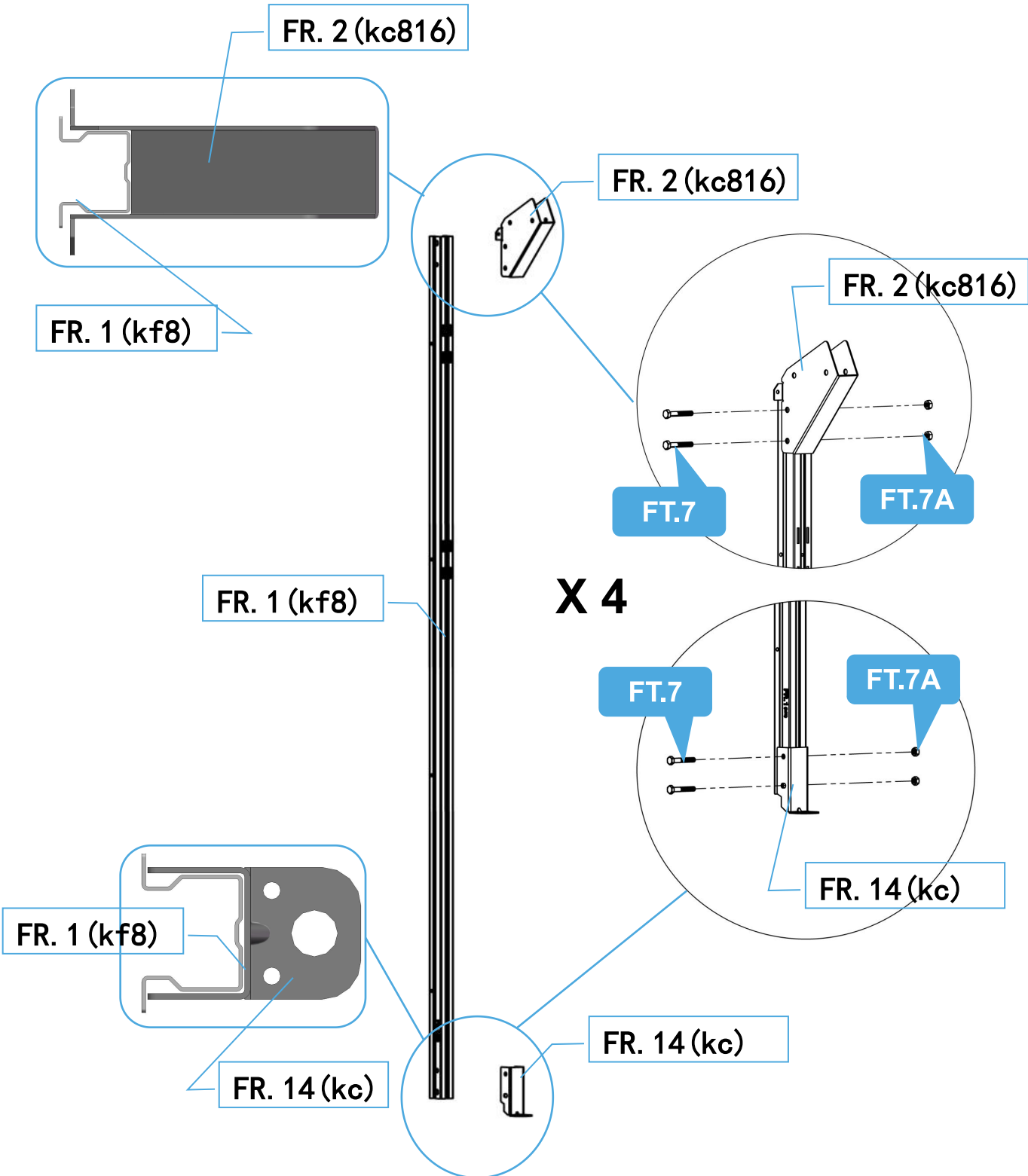
R. 2B (kf812)

R. 2B (kf812)



28

					
FR.2(kc816) 4pcs	FR.1(kf8) 4pcs	FR.14(kc) 4pcs		FT.7 16pcs	FT.7A 16pcs



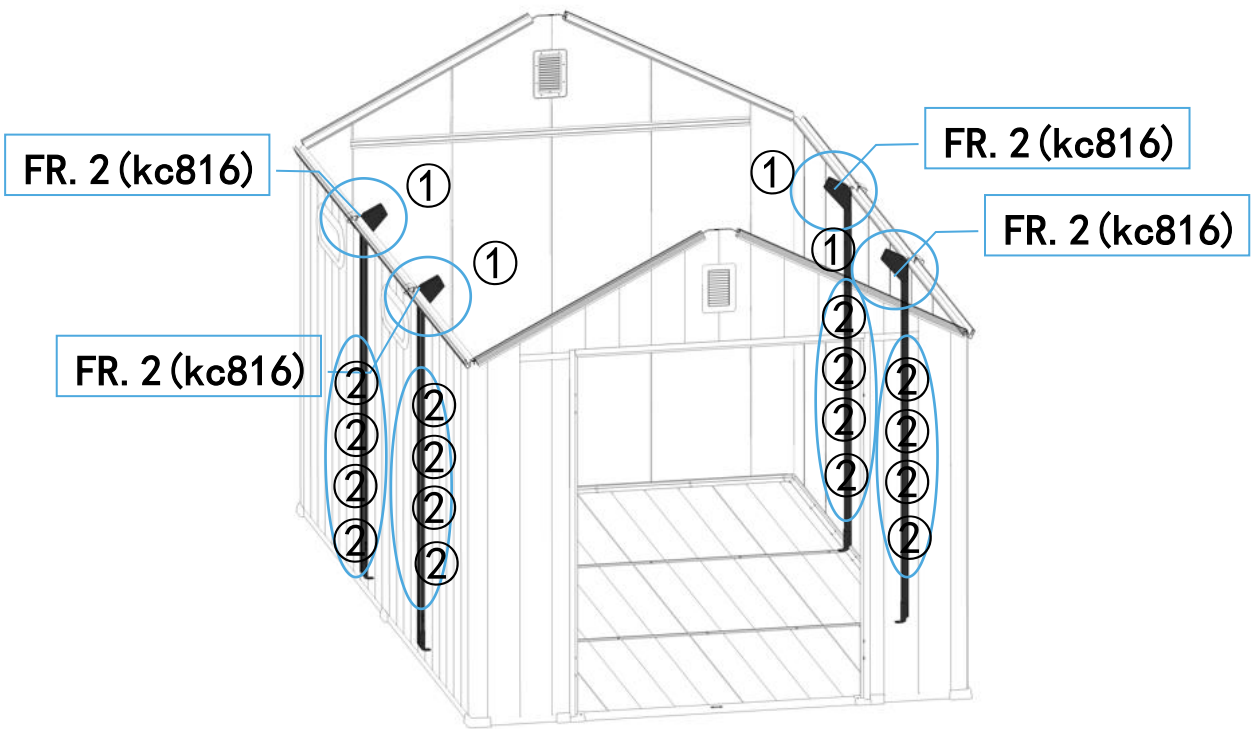
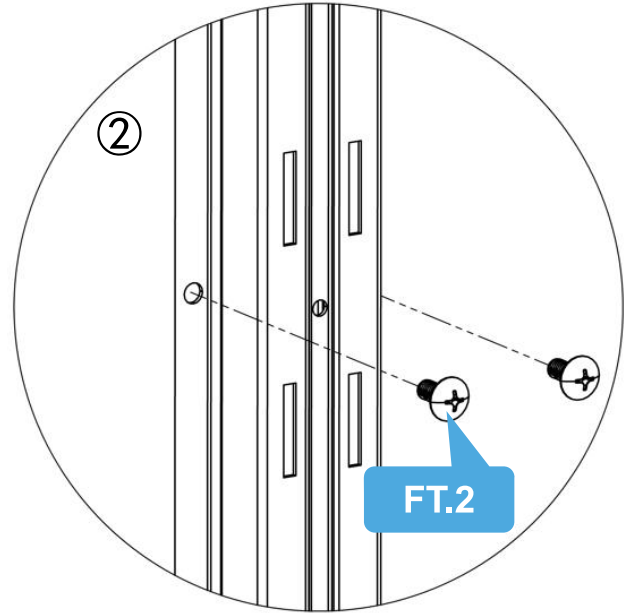
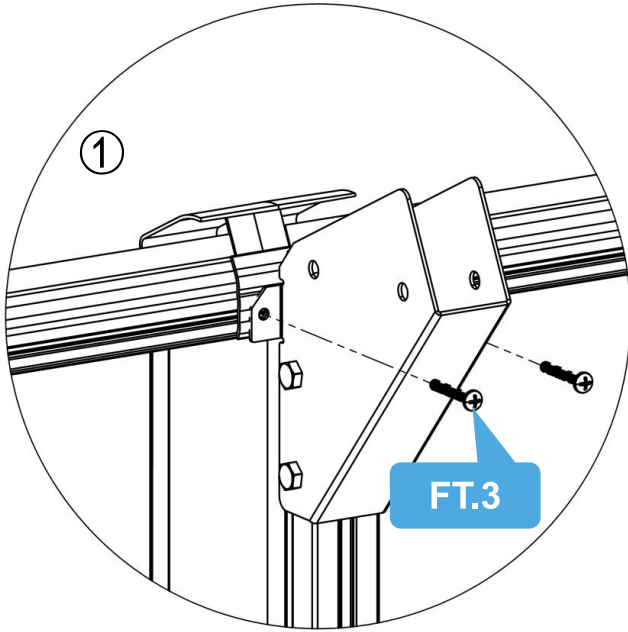
29



FT.3
8pcs



FT.2
32pcs



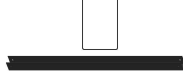
30



FR.3(kc816)
2pcs



FR.4(kc)
4pcs



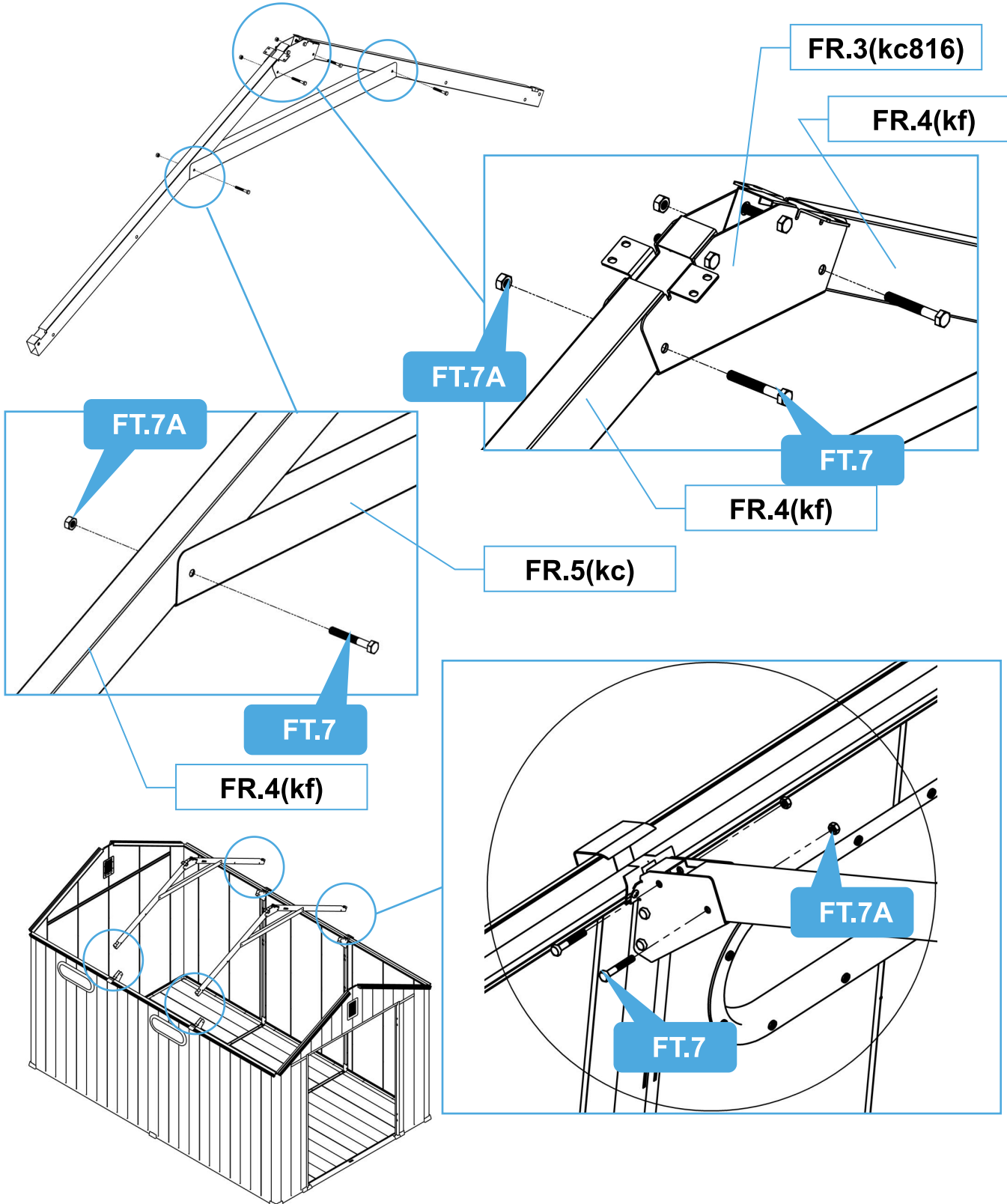
FR.5(kf)
2pcs



FT.7
24pcs



FT.7 A
24pcs



31



FT.2
14pcs



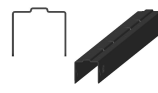
FT.8
2pcs



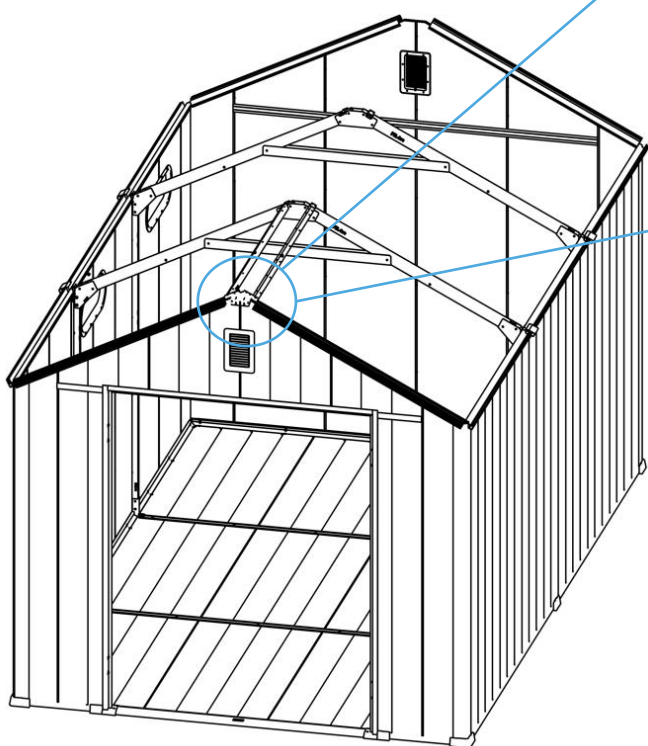
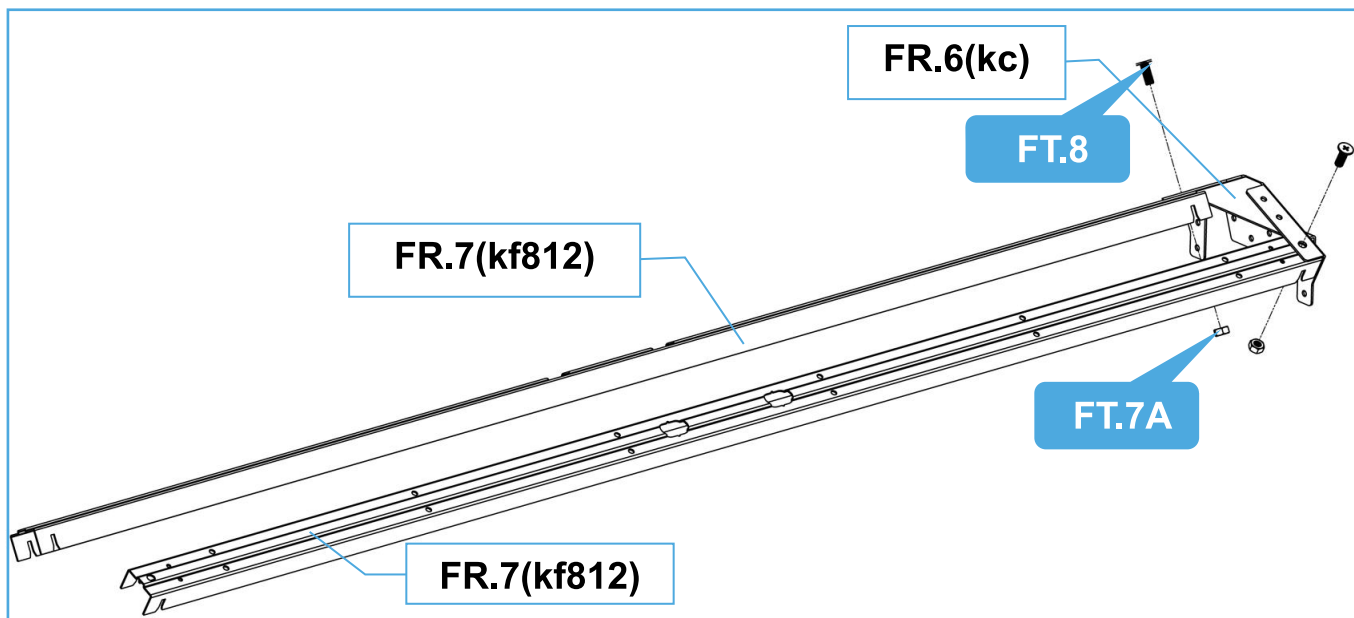
FT.7A
2pcs



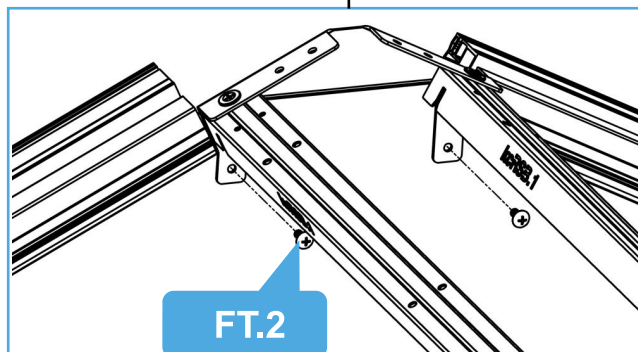
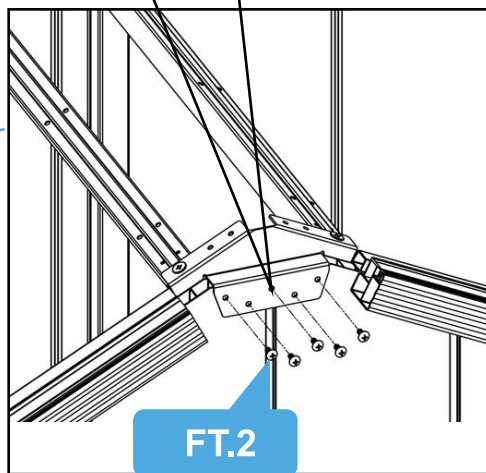
FR.6(kc)
1pcs



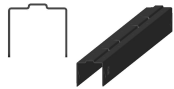
FR.7(kf812)
2pcs



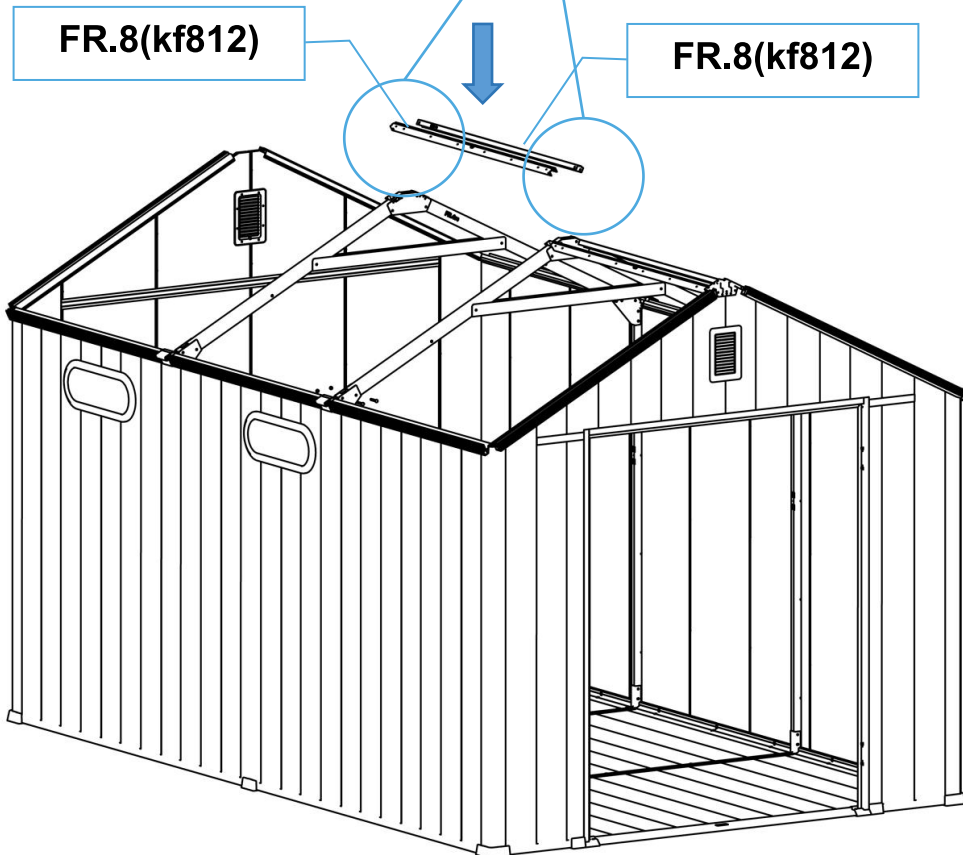
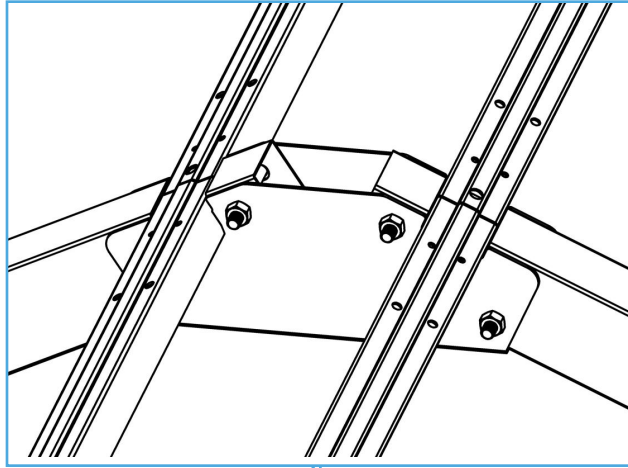
The holes should line up with the grooves



32



FR.8(kf812)
2pcs



33



FT.2
18pcs



FT.8
2pcs



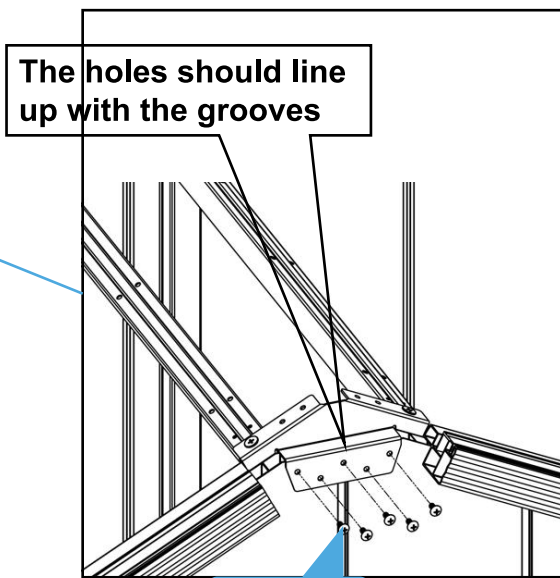
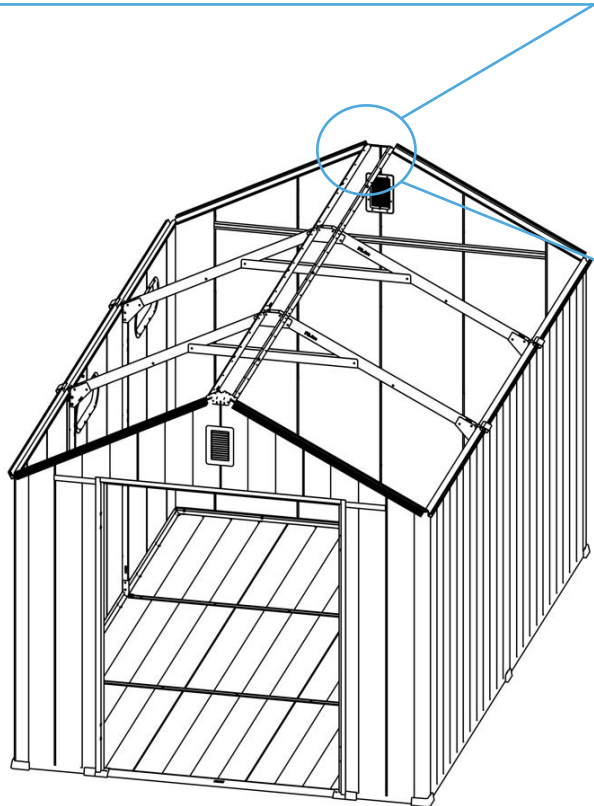
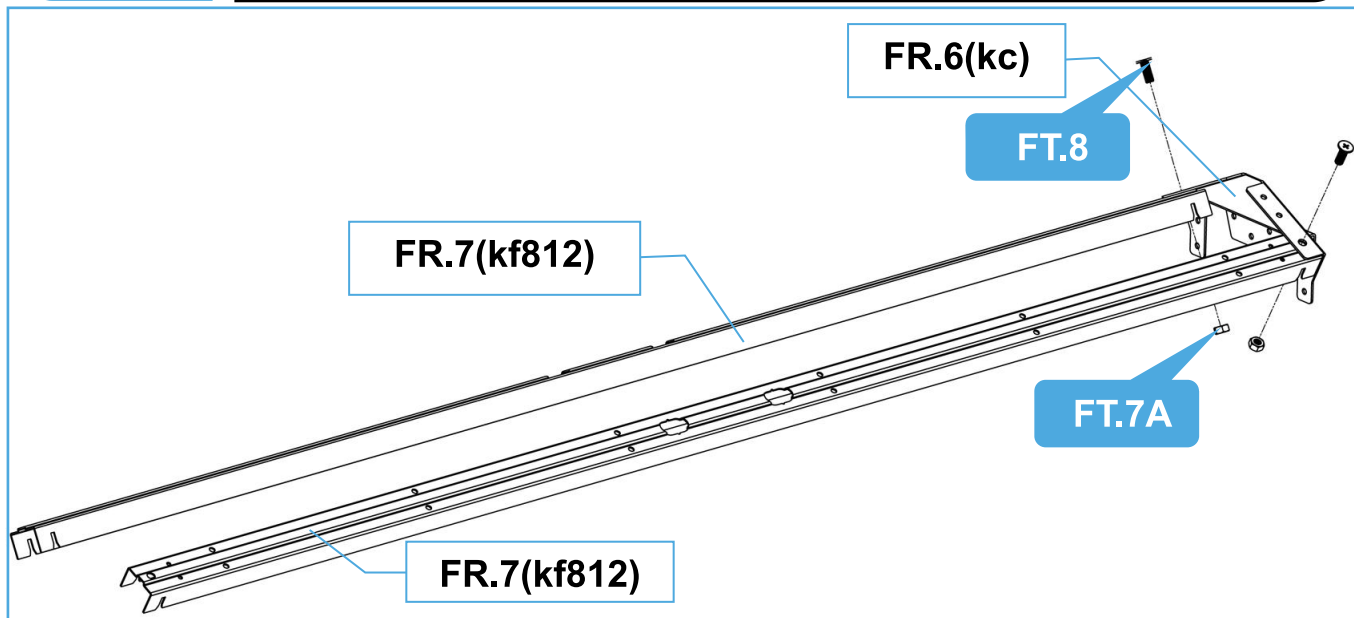
FT.7A
2pcs



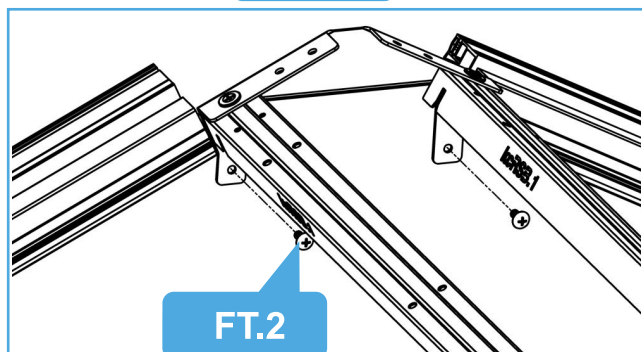
FR.6(kc)
1pcs



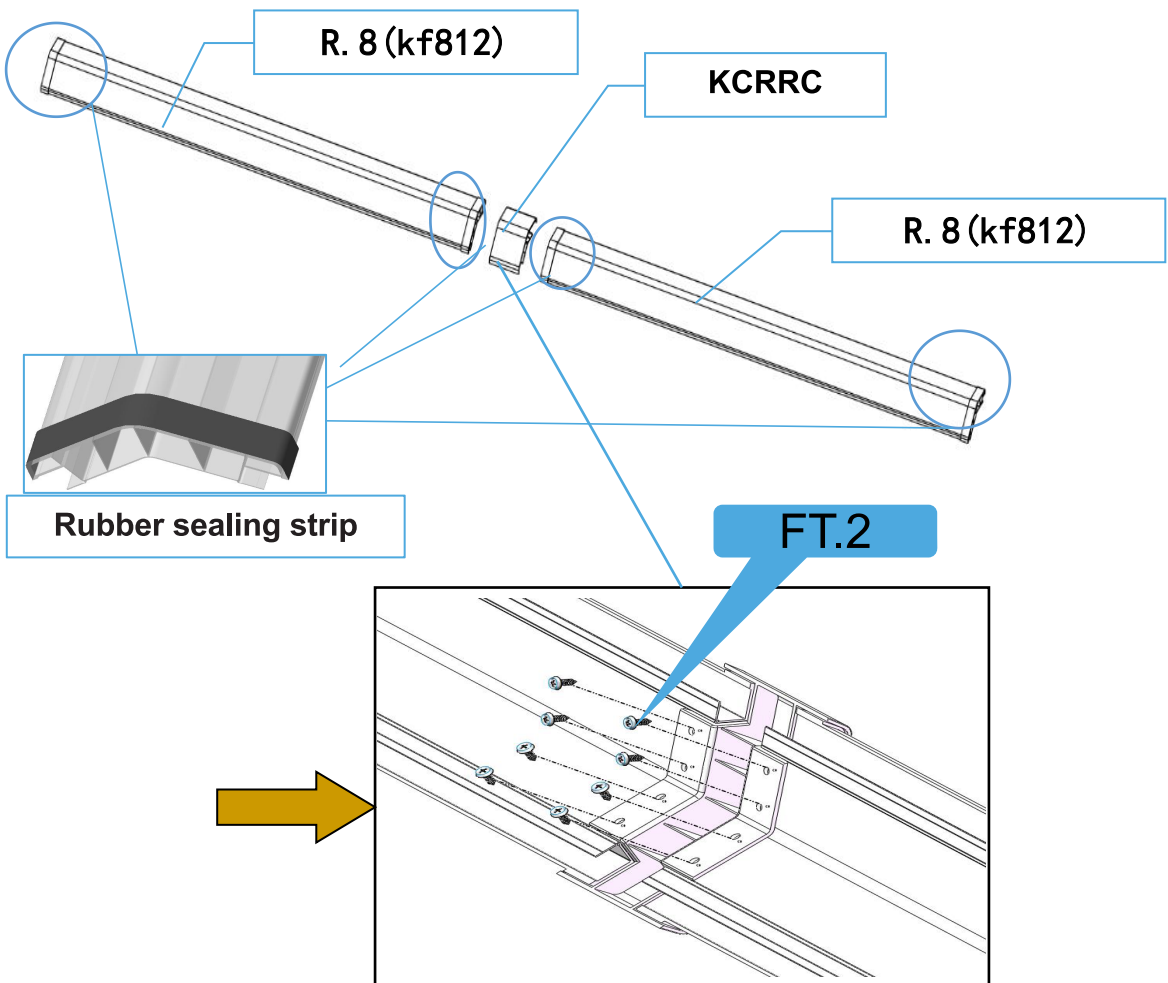
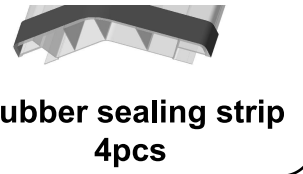
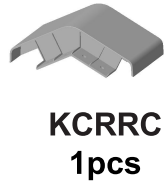
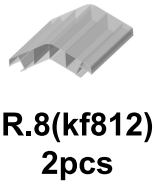
FR.7(kf812)
2pcs



FT.2



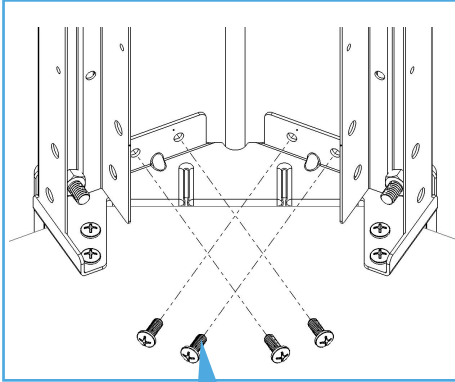
34



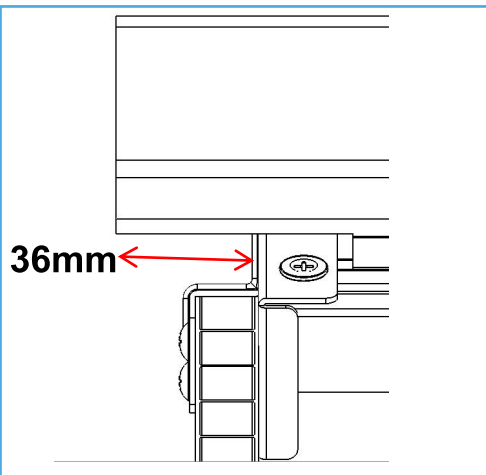
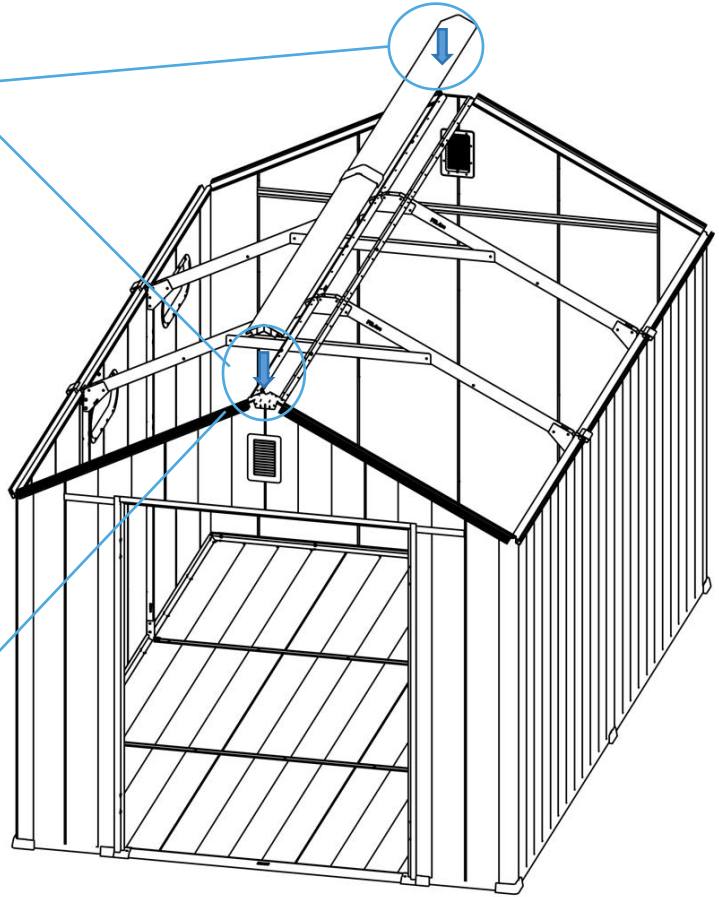
35



FT.2
8pcs



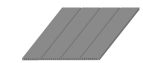
FT.2



36mm

Distance at both ends

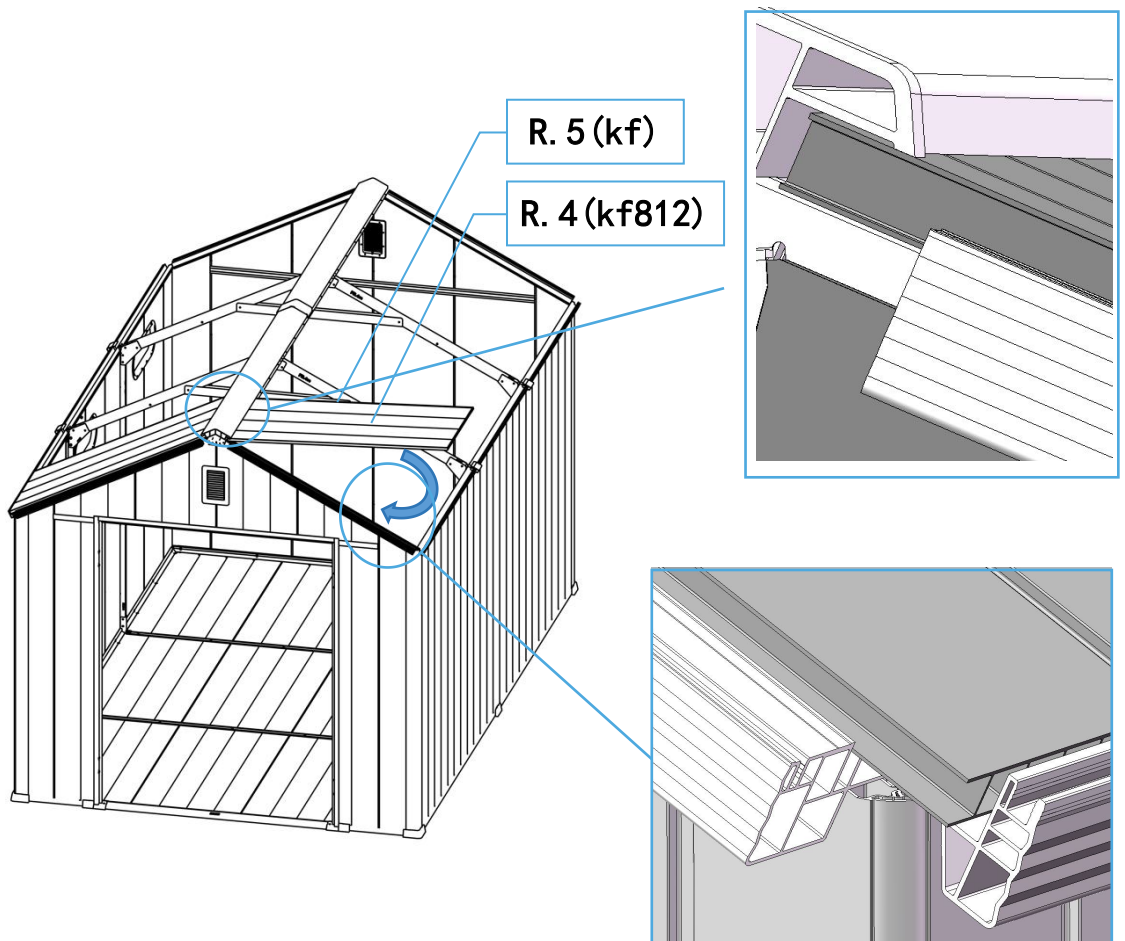
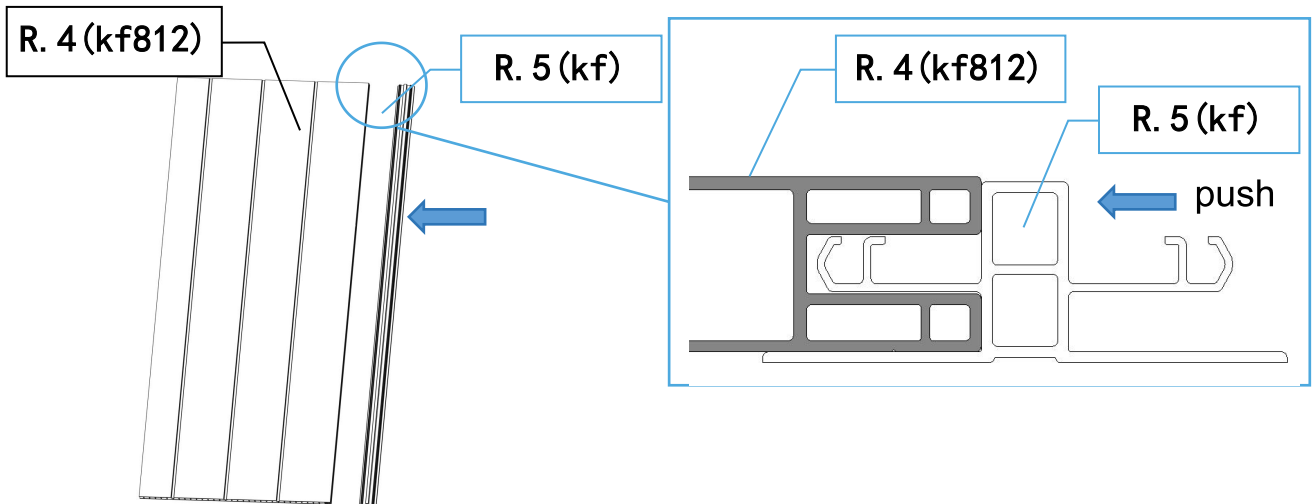
36



R.4(kf812)
2pcs



R.5(kf)
2pcs



37




HD.2(kc)
1pcs



FT.3
4pcs



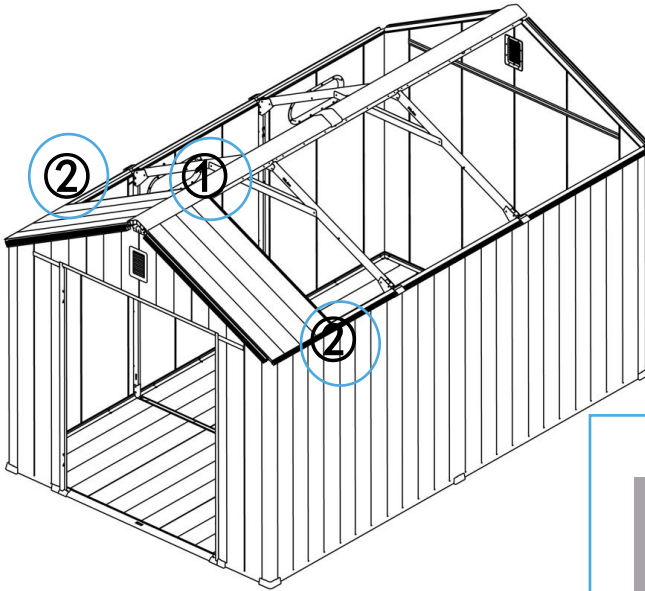
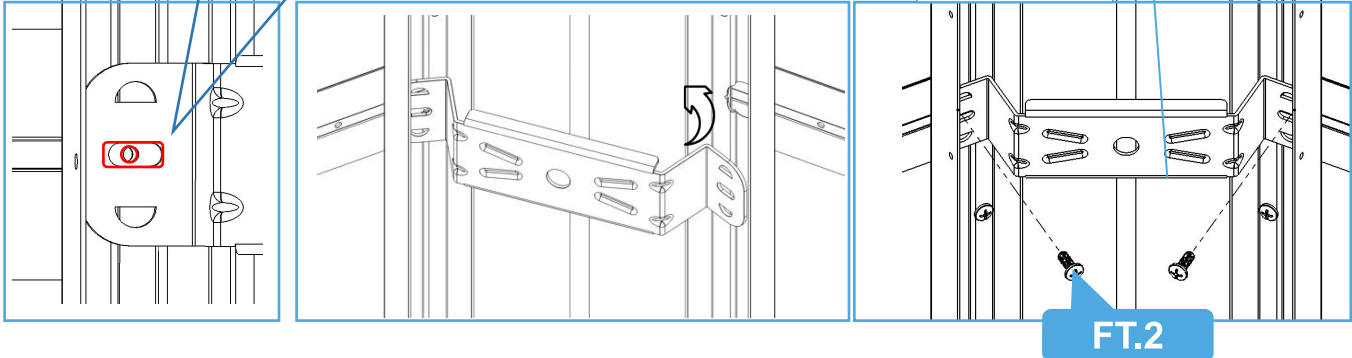
FT.2
6pcs



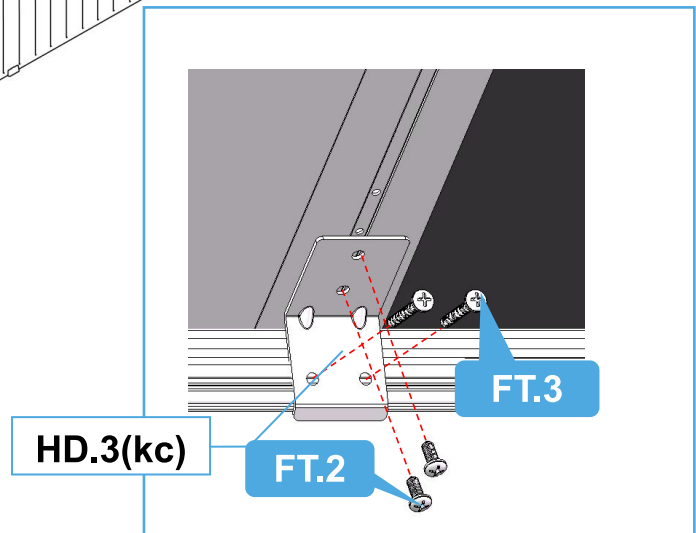
HD.3(kc)
2pcs

Pay attention to aligning the hole positions

Step ① Inside View

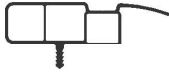


Step ② Inside View



Fix the L component to the bar, then lock the screws

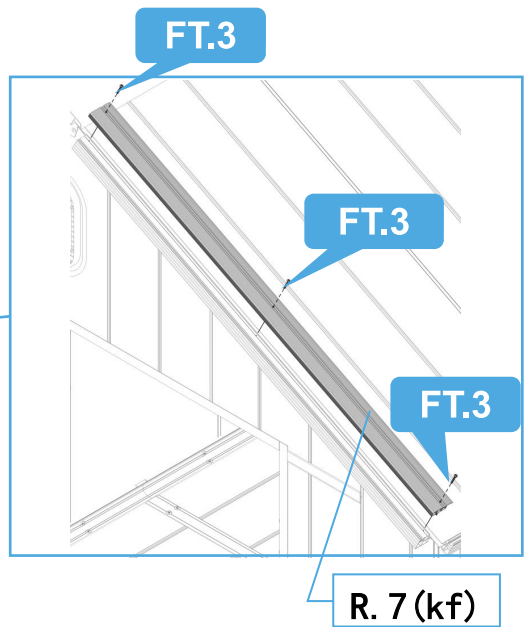
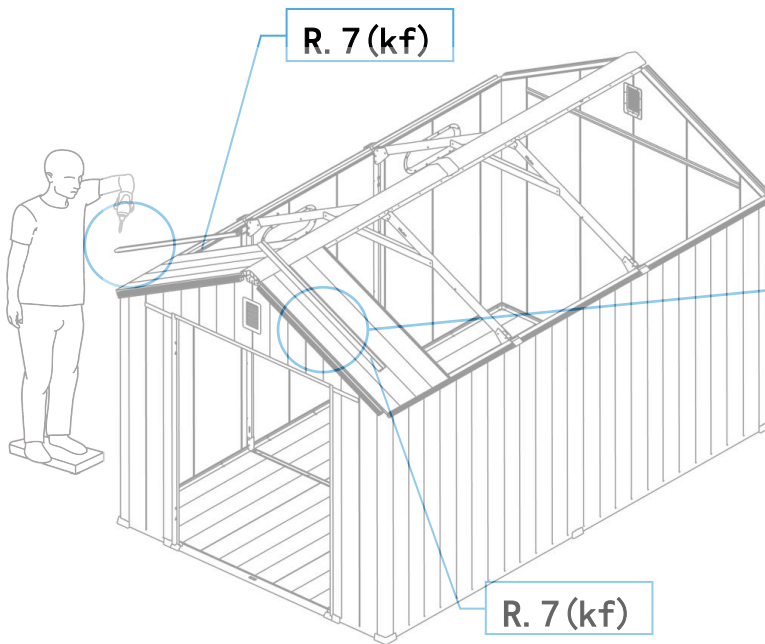
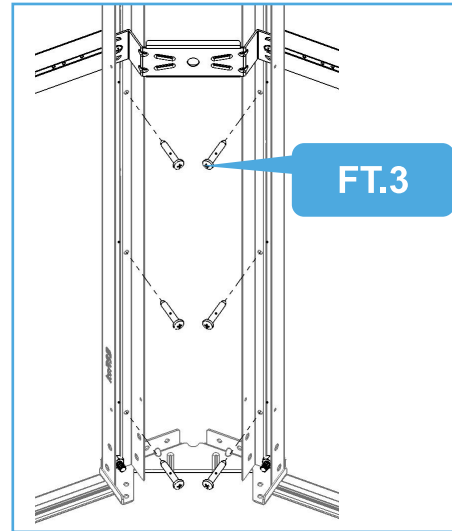
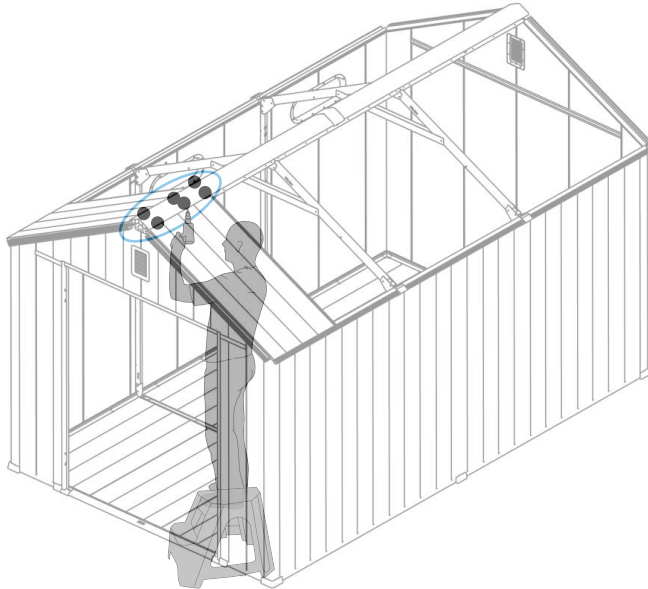
38



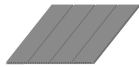
R.7(kf)
2pcs



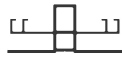
FT.3
12pcs



39



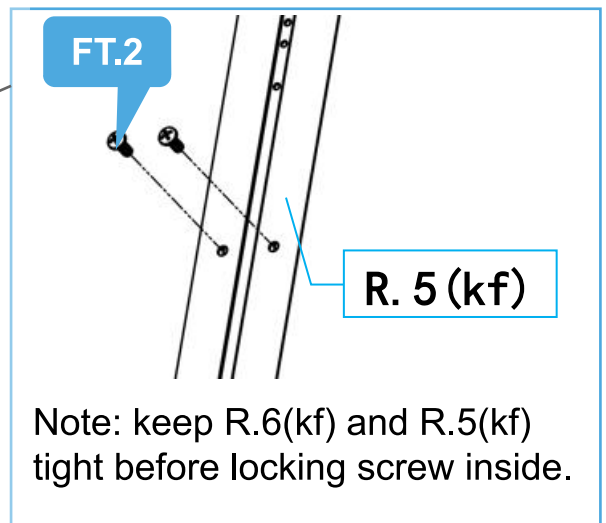
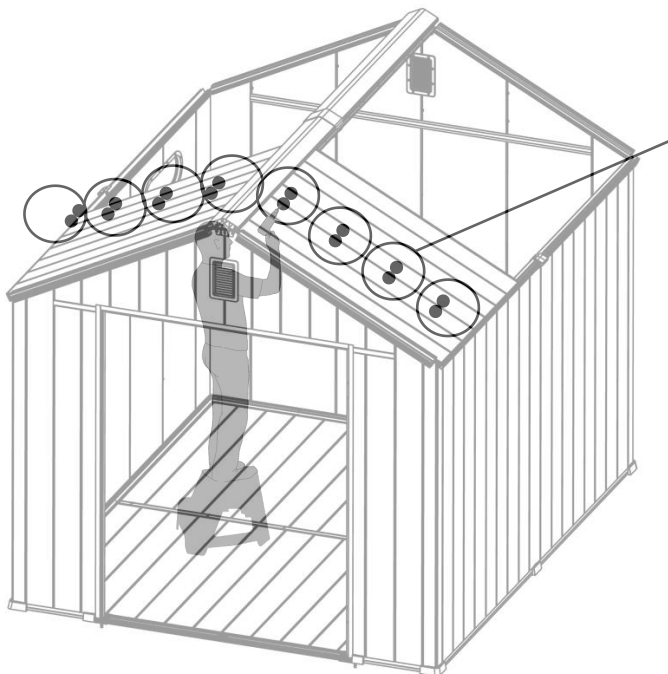
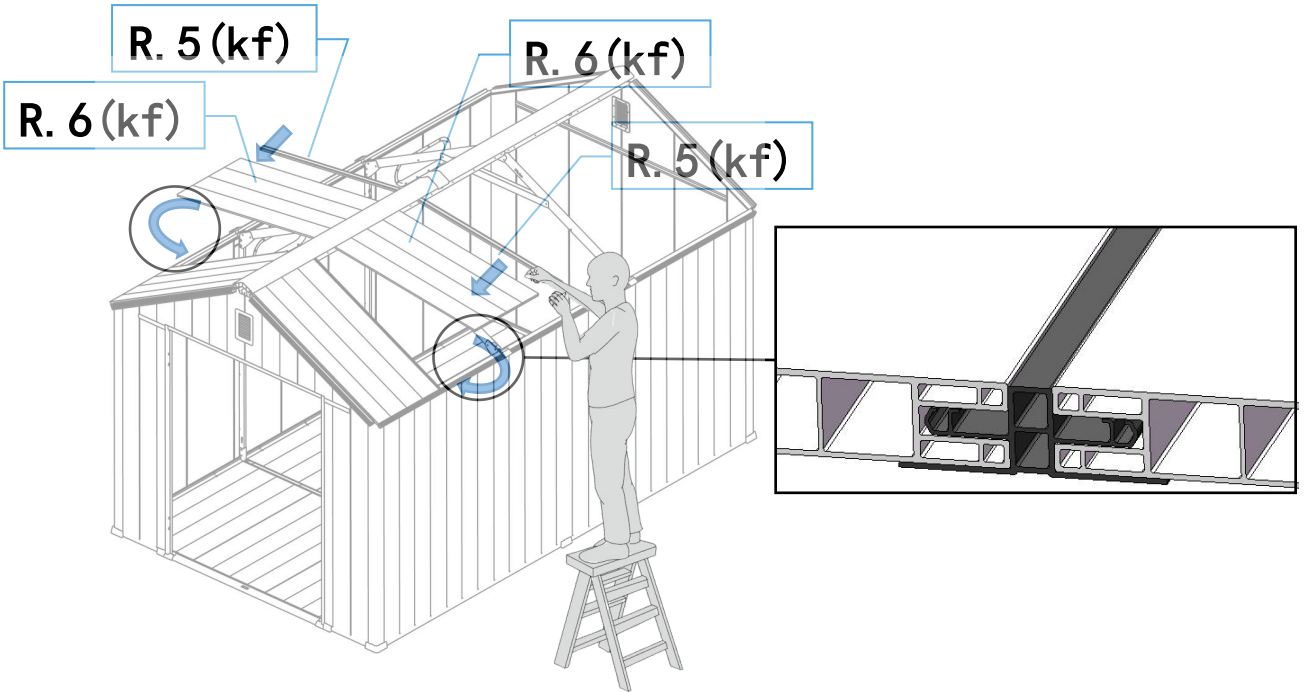
R.6(kf)
2pcs



R.5(kf)
2pcs



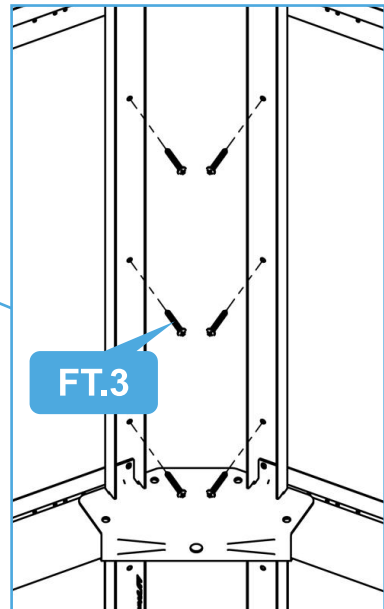
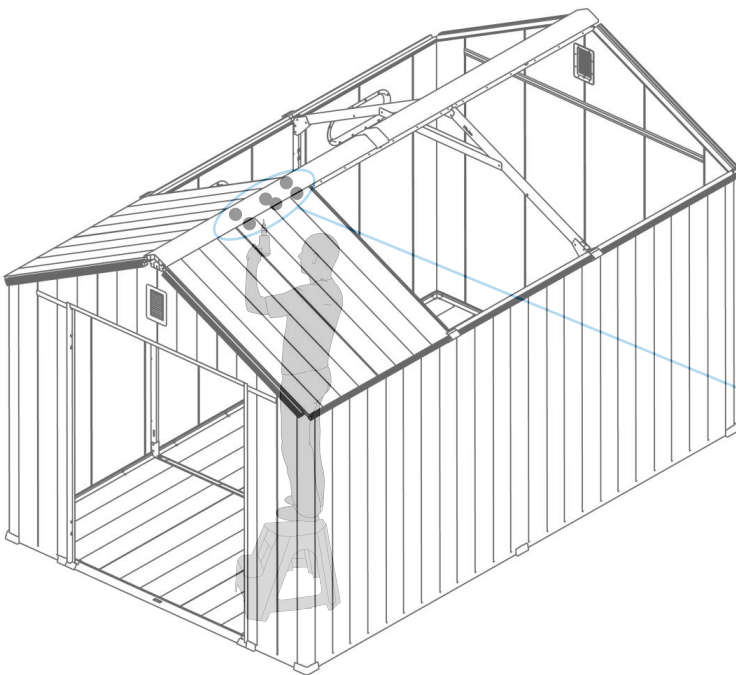
FT.2
16pcs



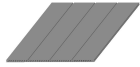
40



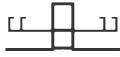
FT.3
6pcs



41



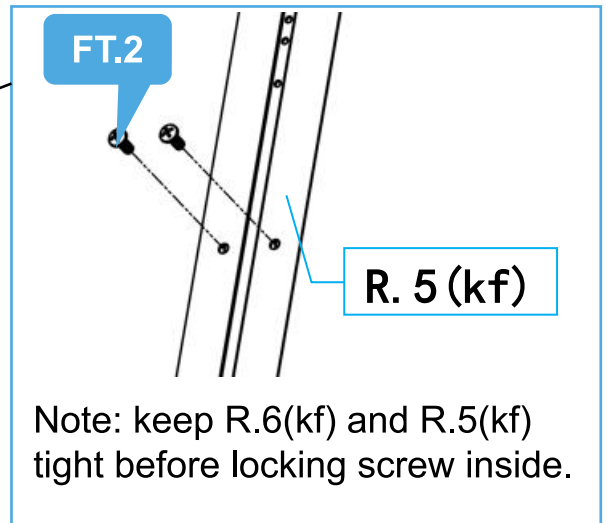
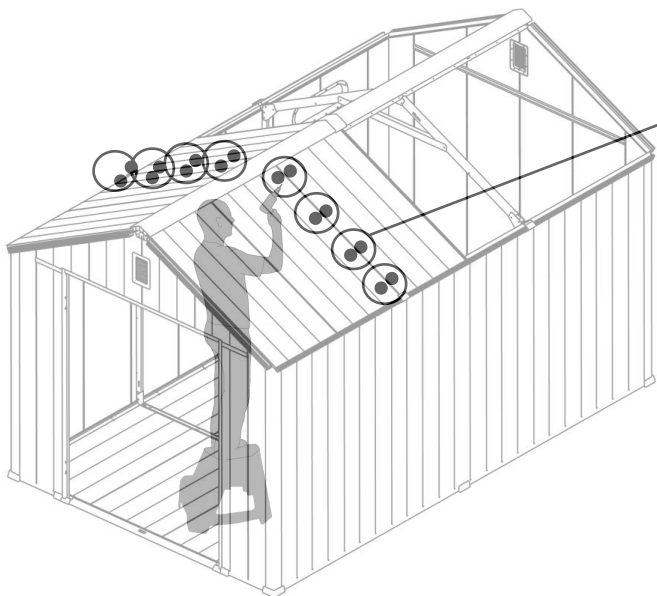
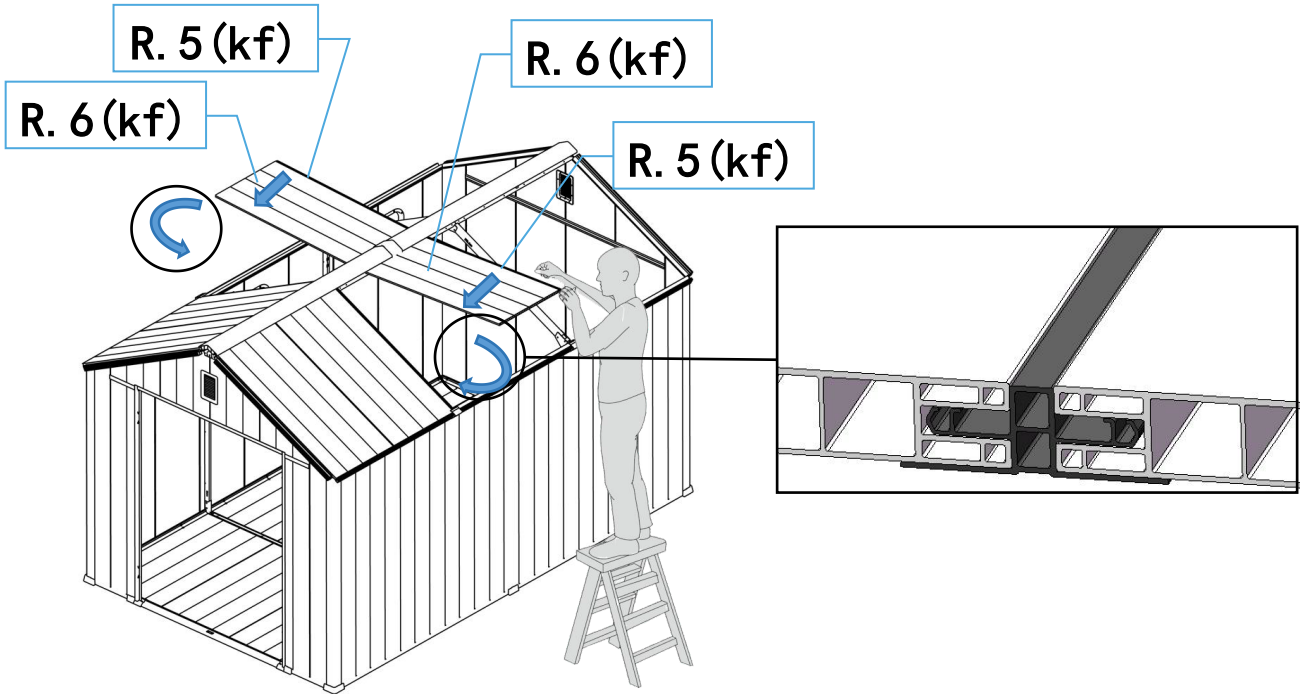
R.6(kf)
2pcs



R.5(kf)
2pcs



FT.2
16pcs



42




HD.2(kc)
1pcs



FT.3
4pcs



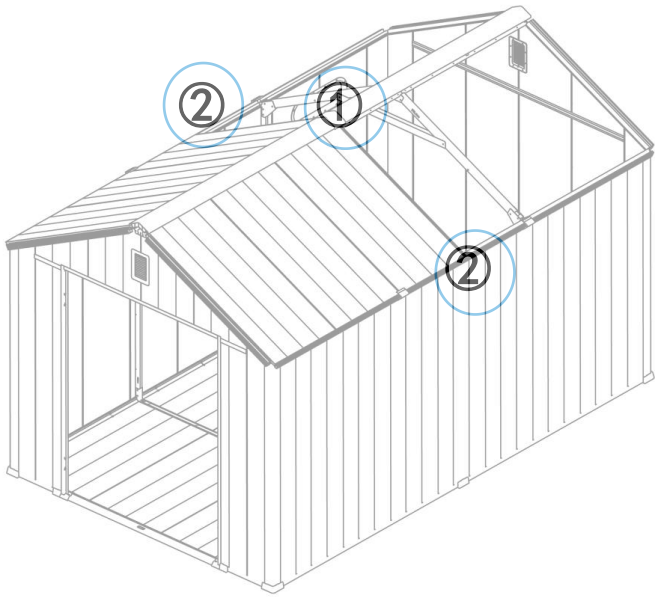
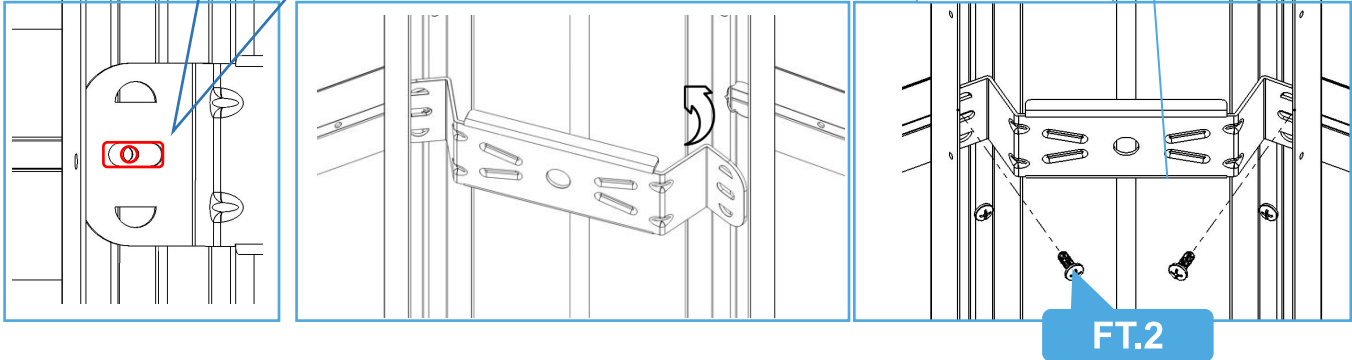
FT.2
6pcs



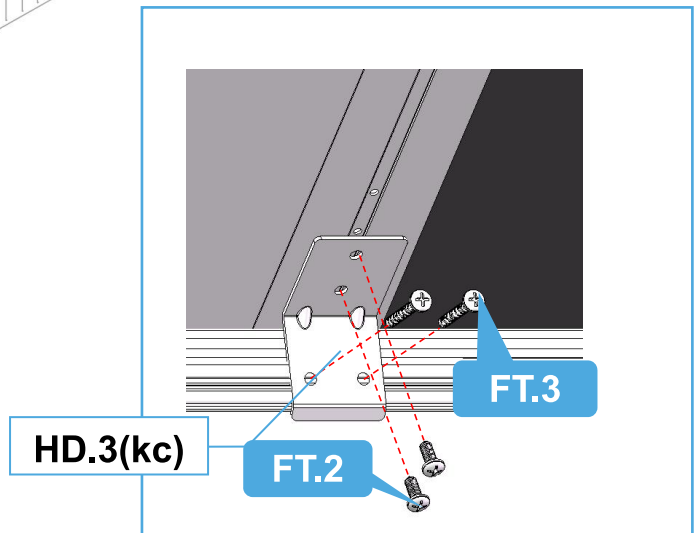
HD.3(kc)
2pcs

Pay attention to aligning the hole positions

Step ① Inside View



Step ② Inside View

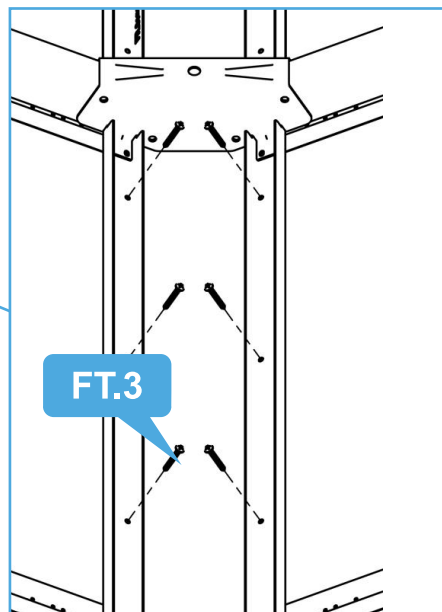
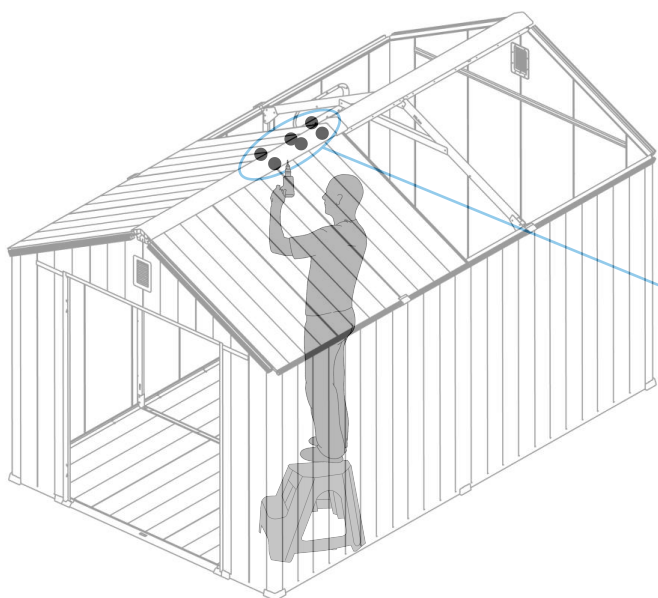


Fix the L component to the bar, then lock the screws

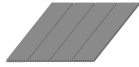
43



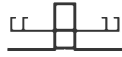
FT.3
6pcs



44



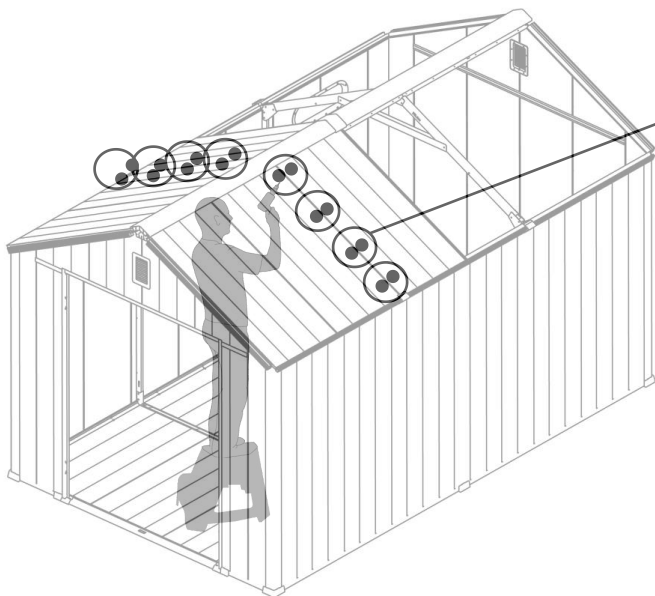
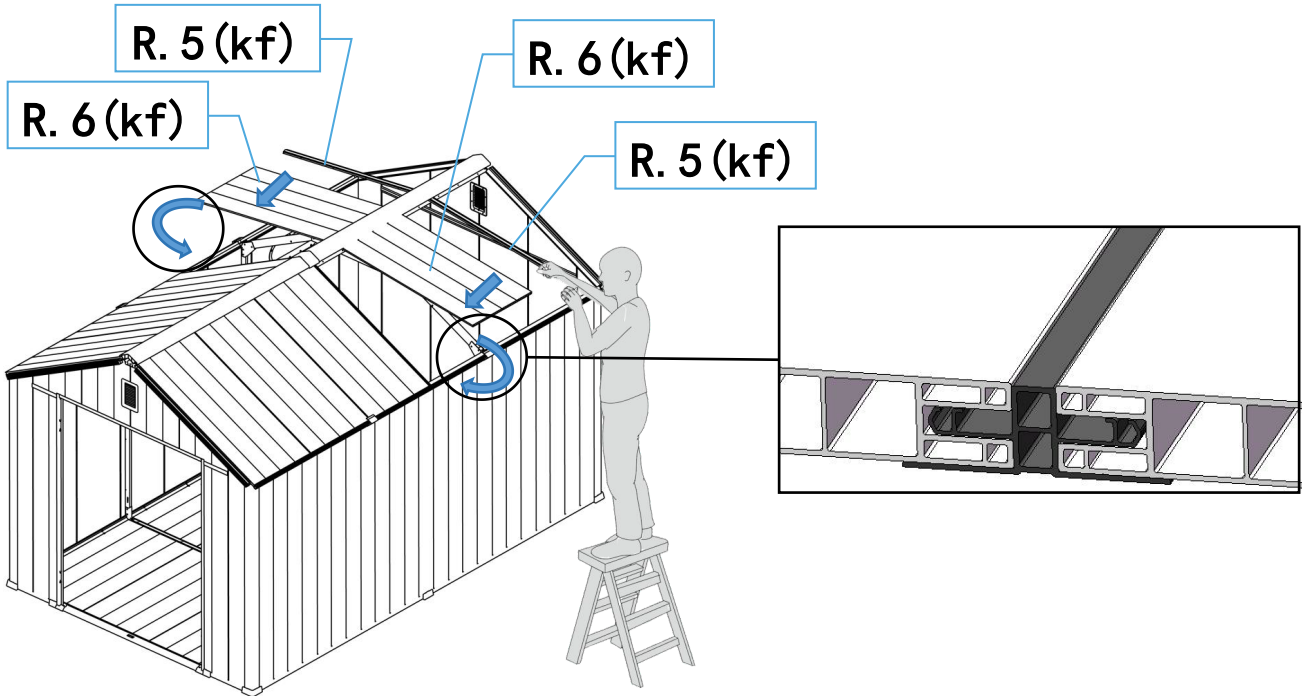
R.6(kf)
2pcs



R.5(kf)
2pcs



FT.2
16pcs

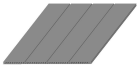


FT.2

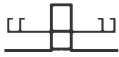
R. 5 (kf)

Note: keep R.6(kf) and R.5(kf) tight before locking screw inside.

45



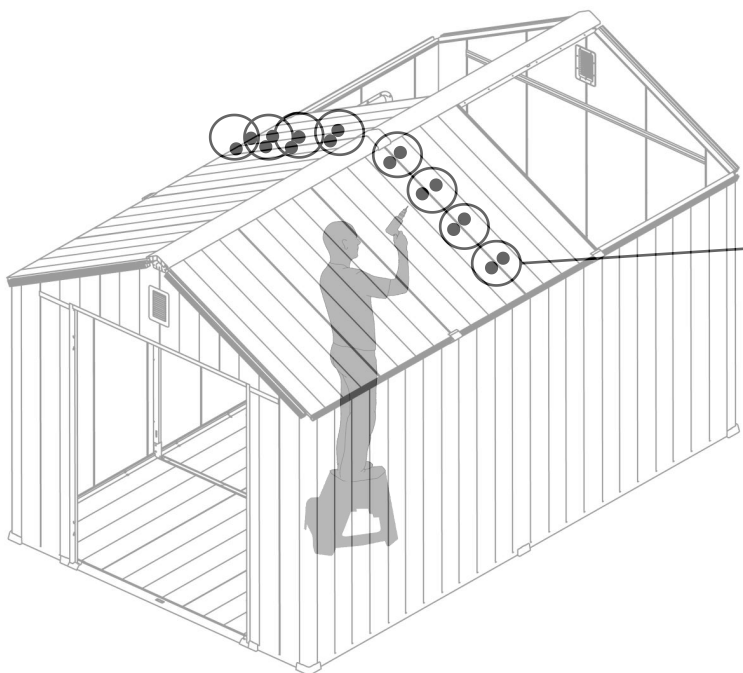
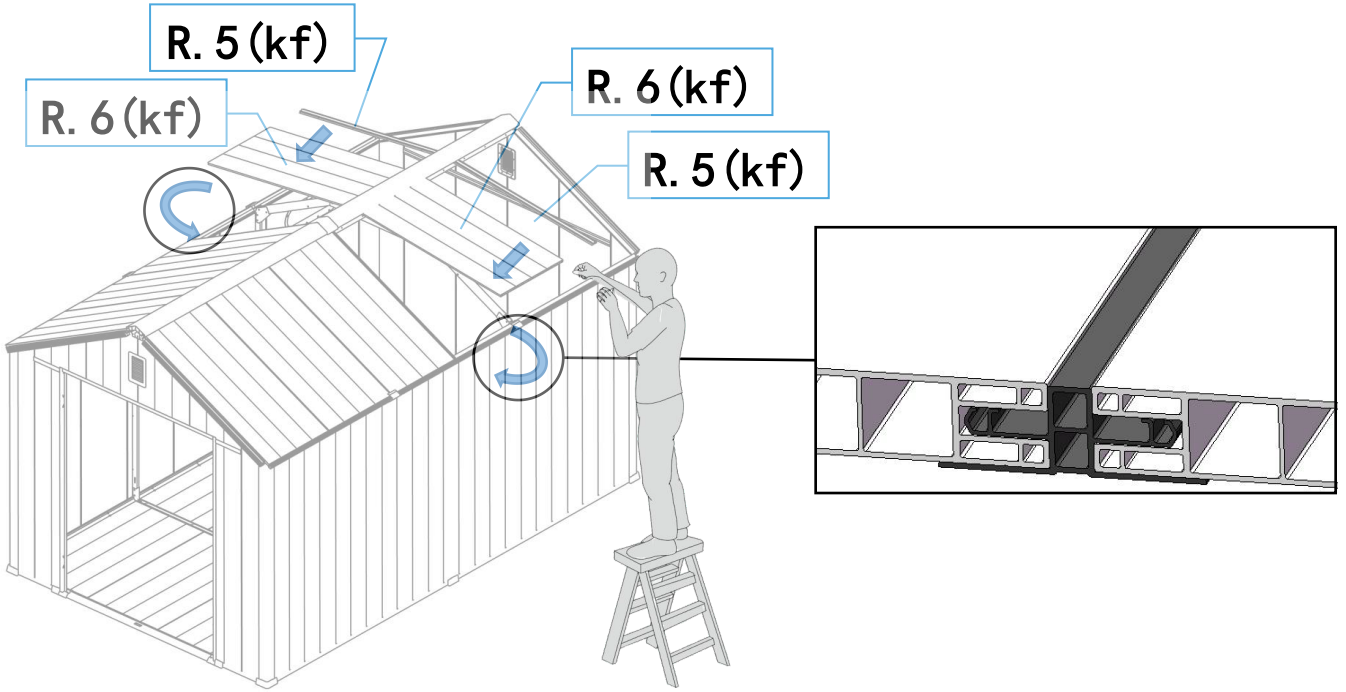
R.6(kf)
2pcs



R.5(kf)
2pcs



FT.2
16pcs



FT.2

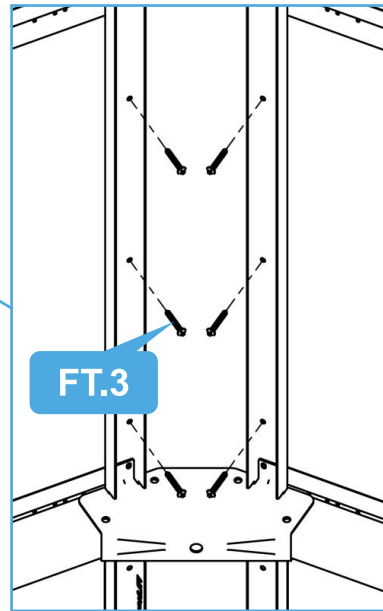
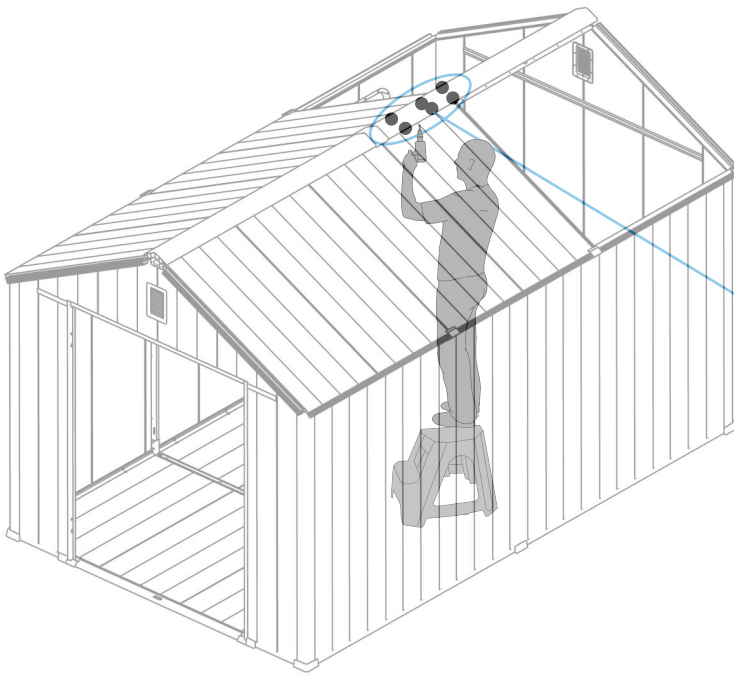
R. 5 (kf)

Note: keep R.6(kf) and R.5(kf) tight before locking screw inside.

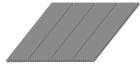
46



FT.3
6pcs



47



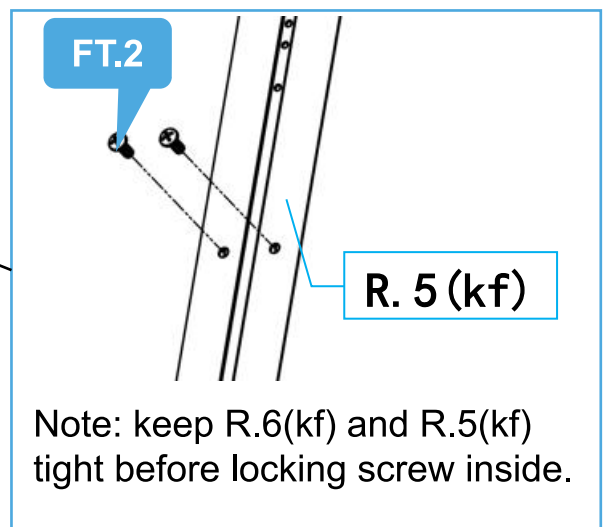
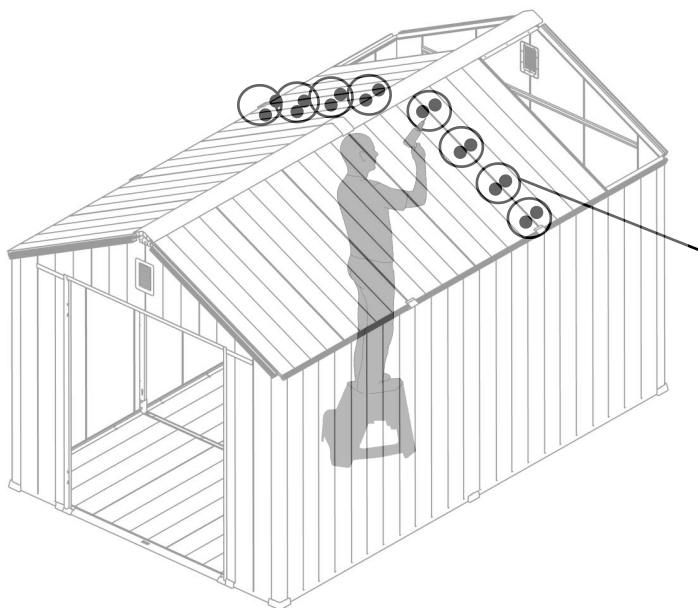
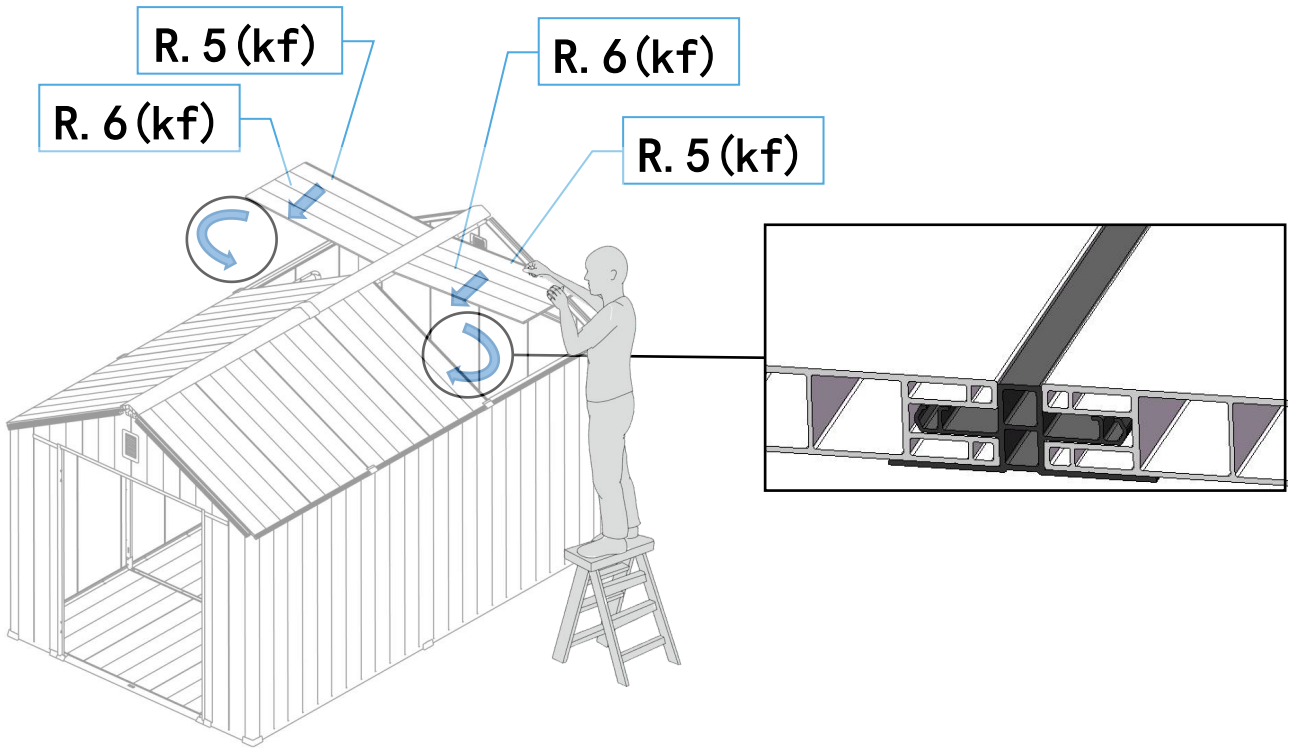
R.6(kf)
2pcs



R.5(kf)
2pcs



FT.2
16pcs



48



FT.2
6pcs



HD.2(kc)
1pcs



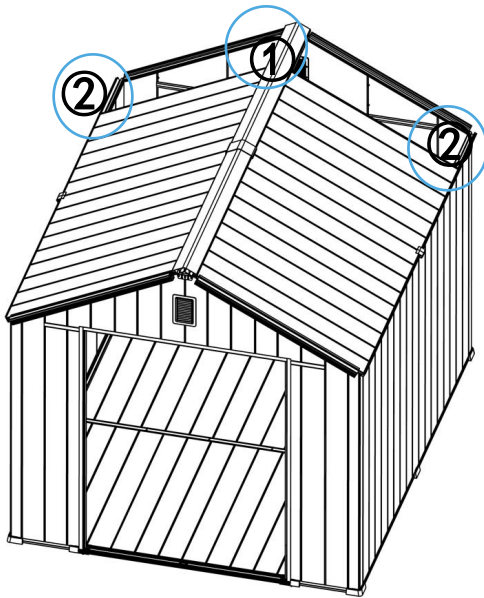
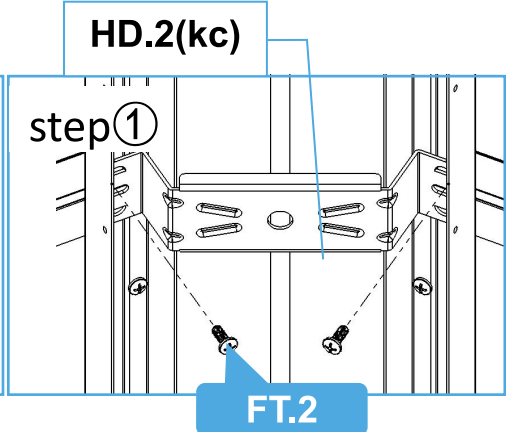
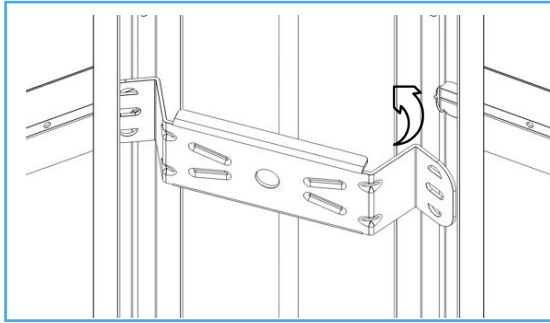
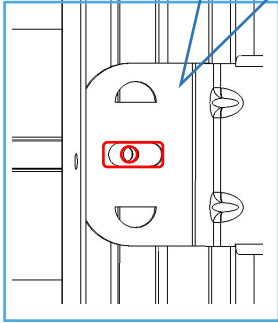
HD.3(kc)
2pcs



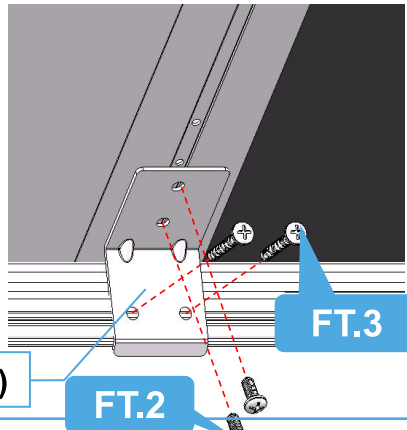
FT.3
10pcs

Pay attention to aligning the hole positions

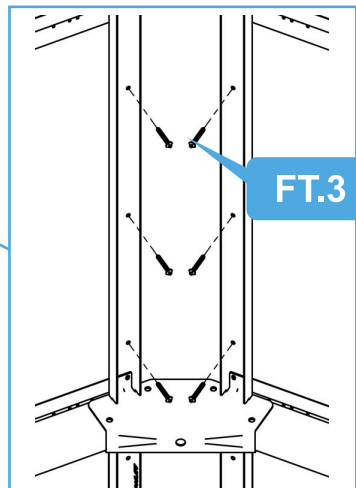
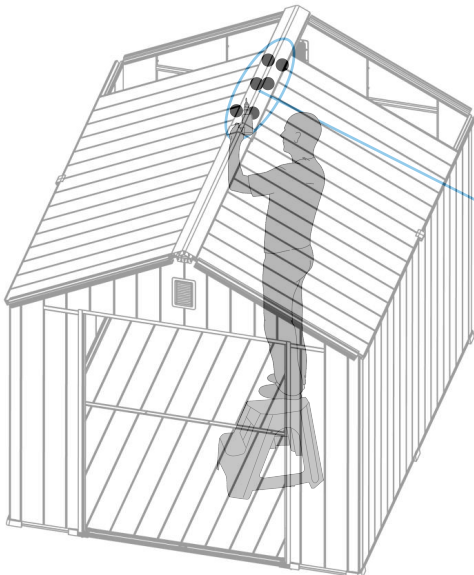
Step ① Inside View



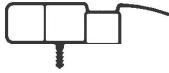
Step ② Inside View



Fix the L component to the bar, then lock the screws



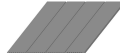
49



R.4(kf812)
2pcs



FT.3
12pcs

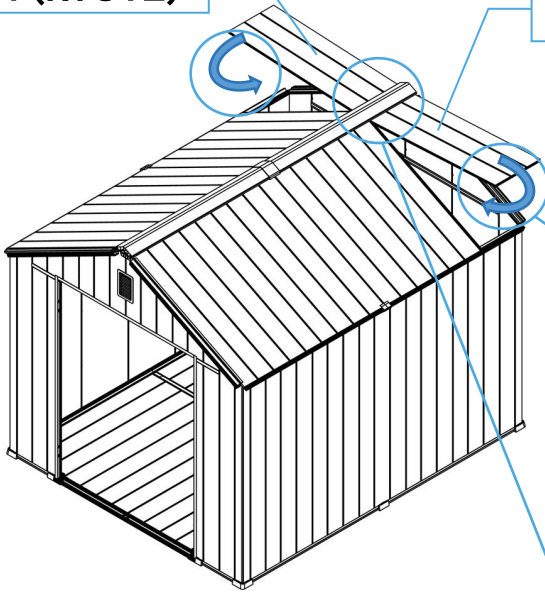


R.4(kf)
2pcs

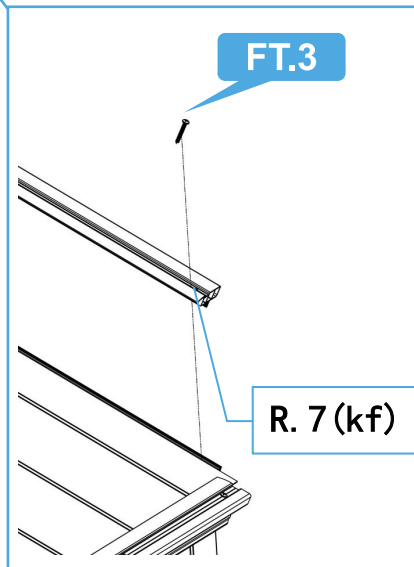
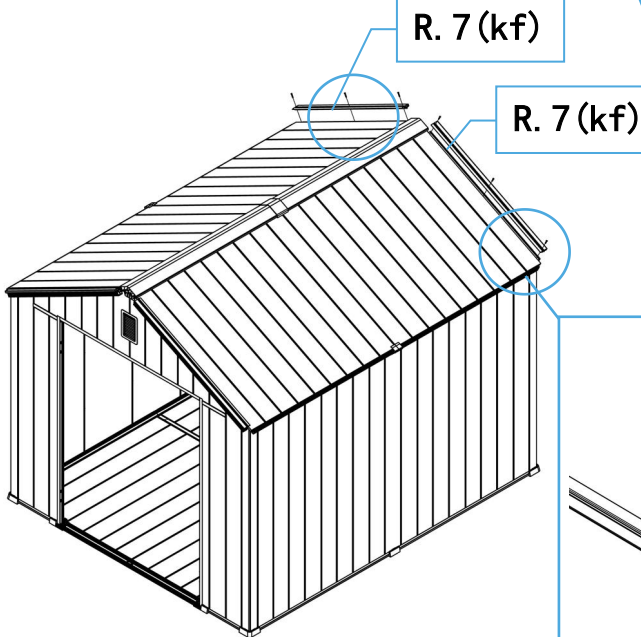
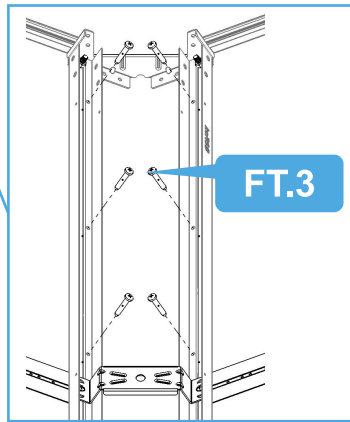
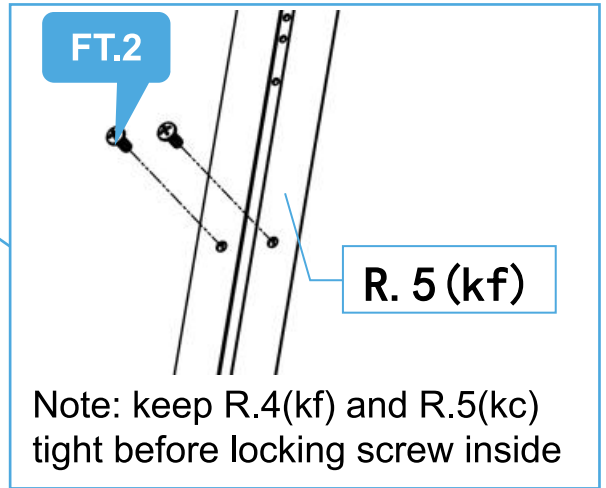


FT.2
16pcs

R. 4 (kf812)



R. 4 (kf812)



50



FT.9
3pcs



HD.5(kc)
3pcs



FT.2
12pcs



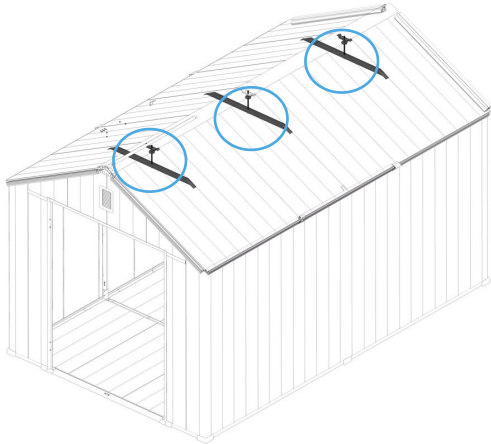
HD.4(kc)
3pcs



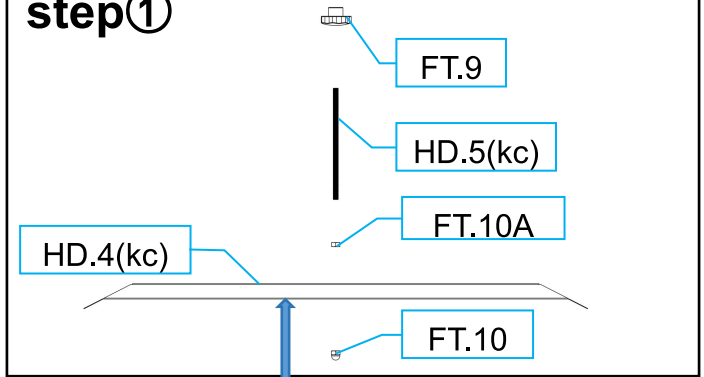
FT.10
3pcs



FT.10A
3pcs



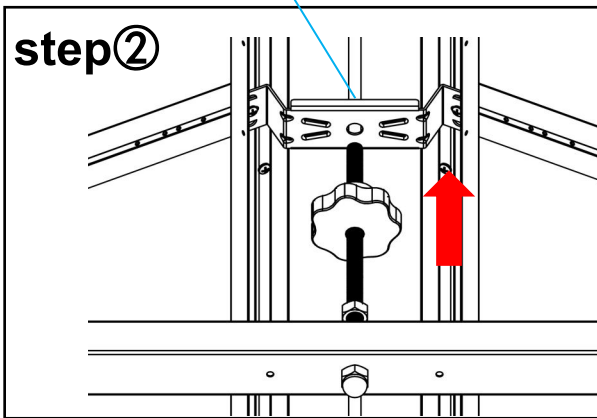
step①



Step 1: Place the parts on the ground and assemble them into components according to the diagram.

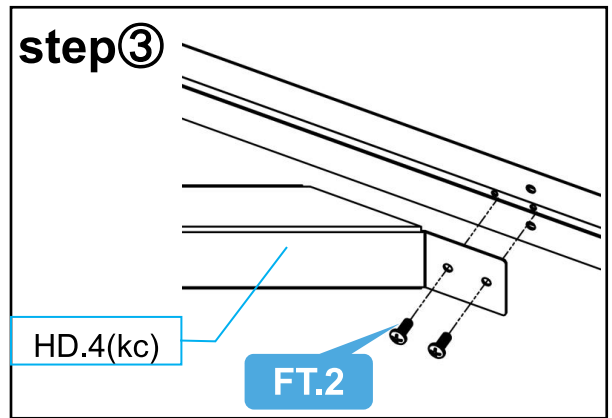
HD.2(kc)

step②



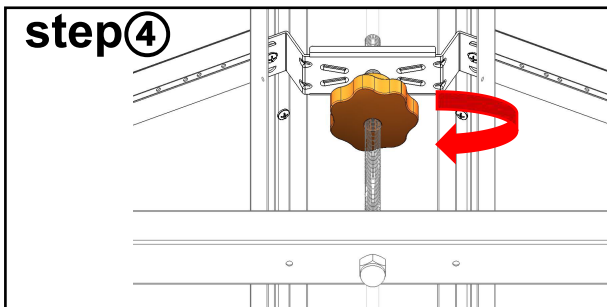
Step 2: Insert the component into the U-shaped connector (HD.2(kc))

step③



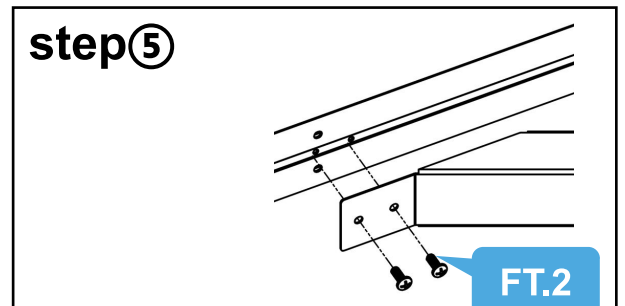
Step 3: Lock the screws into the purlin.

step④



Step 4: Adjust the nut (FT.9) downward and lift the pull rod (HD.4(kc)) to align the holes. The same operation can be done if the roof sinking.

step⑤



Step 5: Lock the screws as shown in the figure.

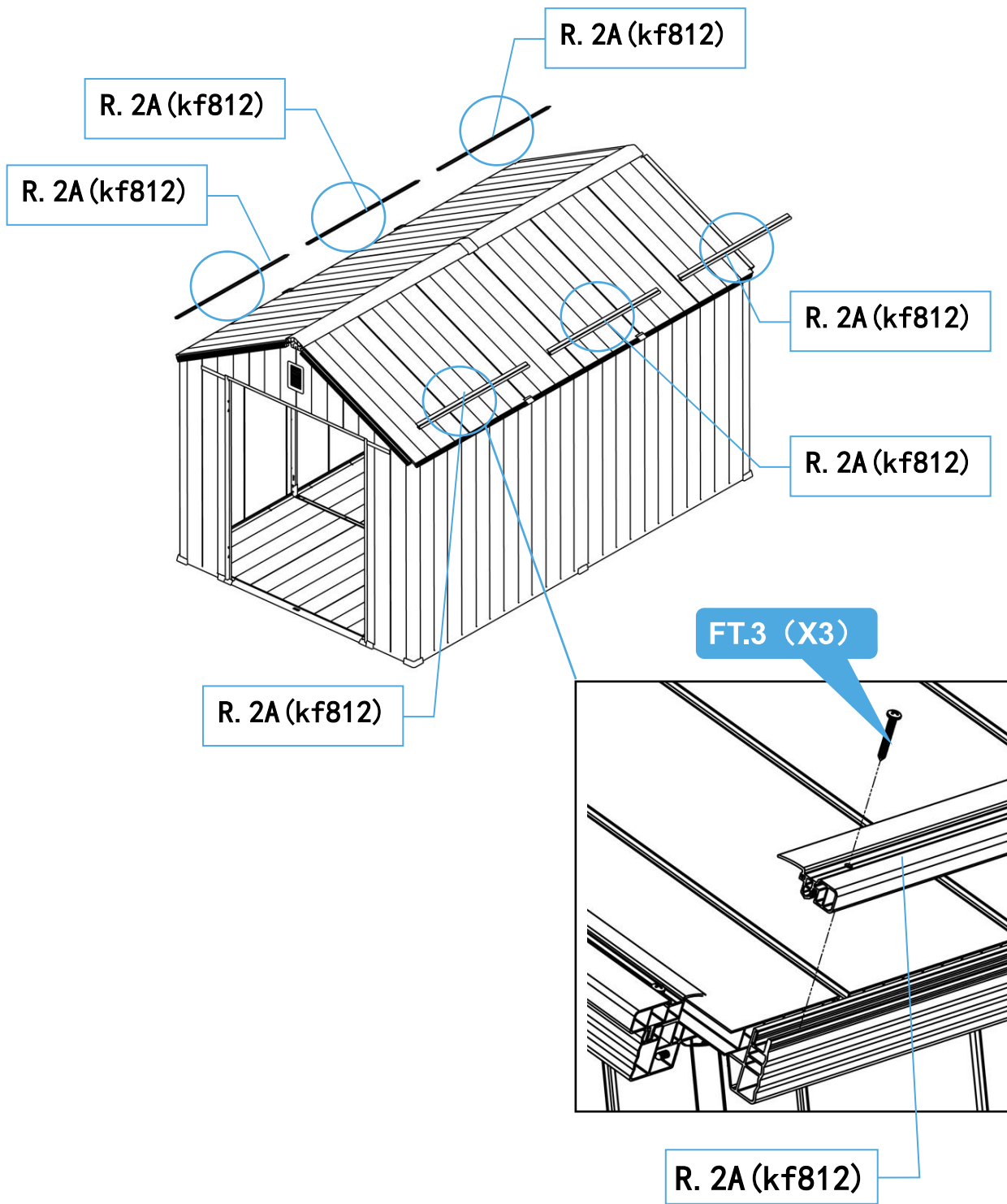
51



FT.3
18pcs



R.2A(kf812)
6pcs

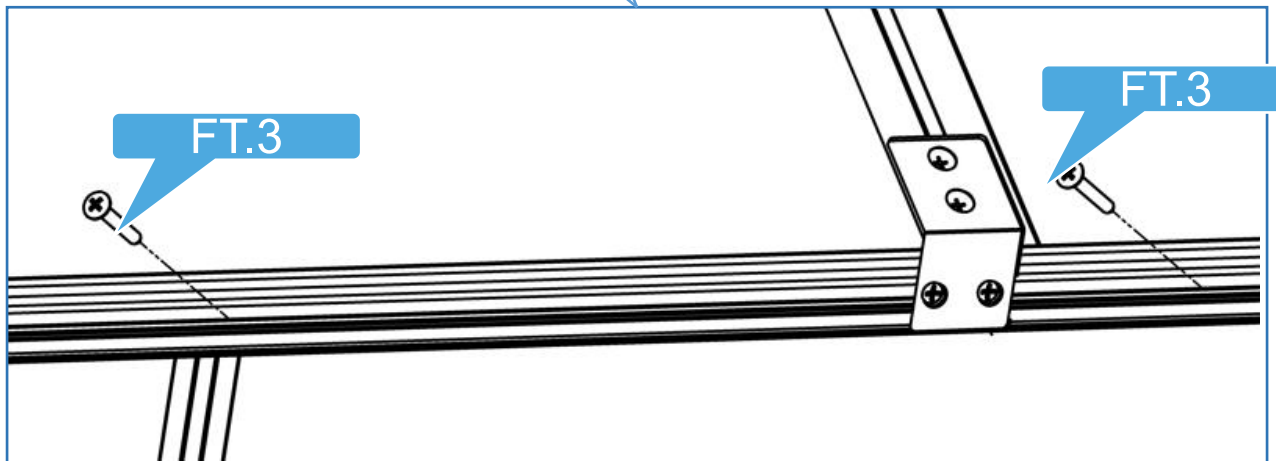
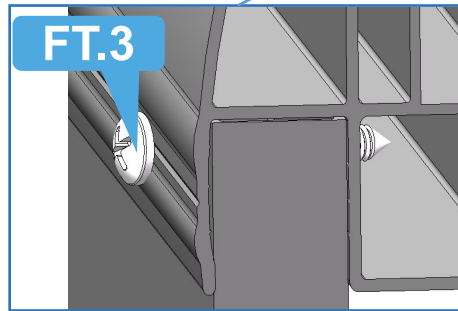
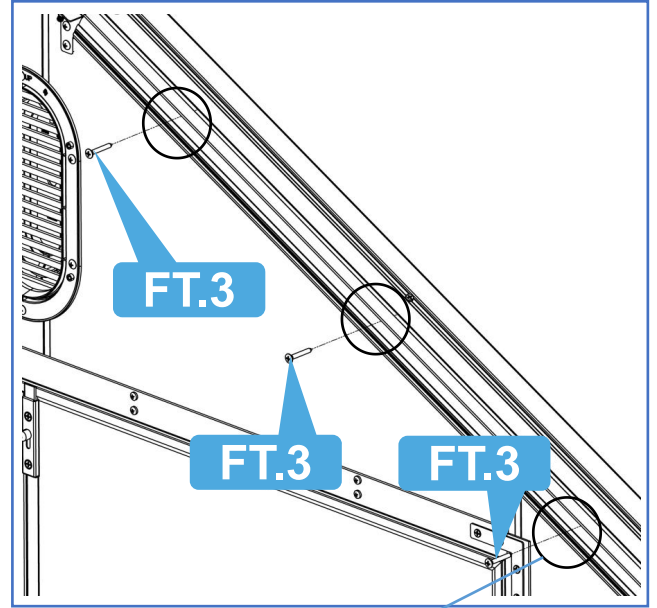
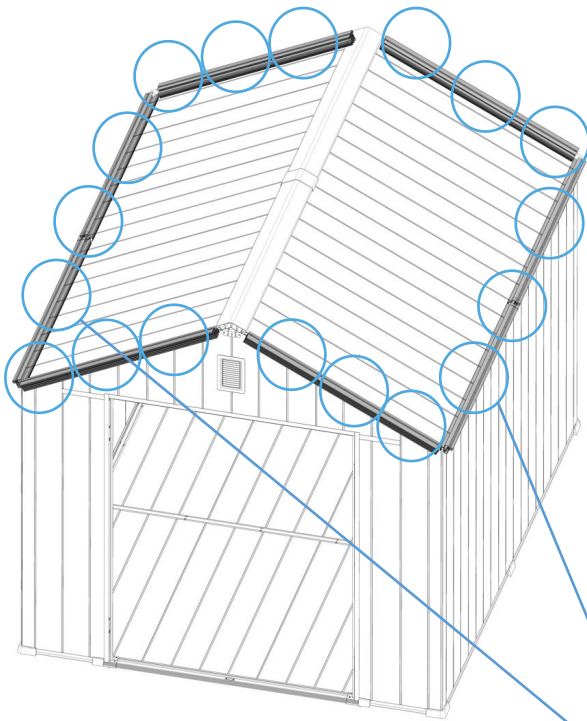


52



FT.3
18pcs

Inside view



STEP 4 Door Installation

53



D.1L(kf)
1pcs

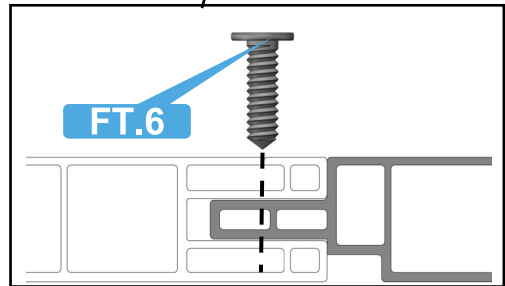
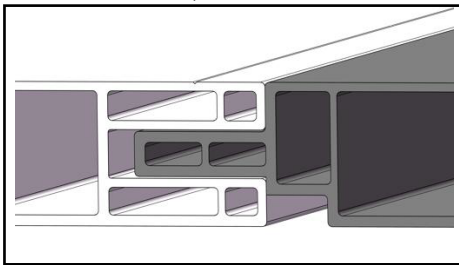
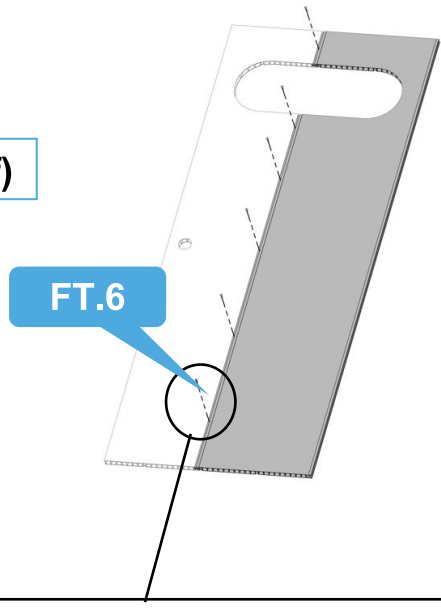
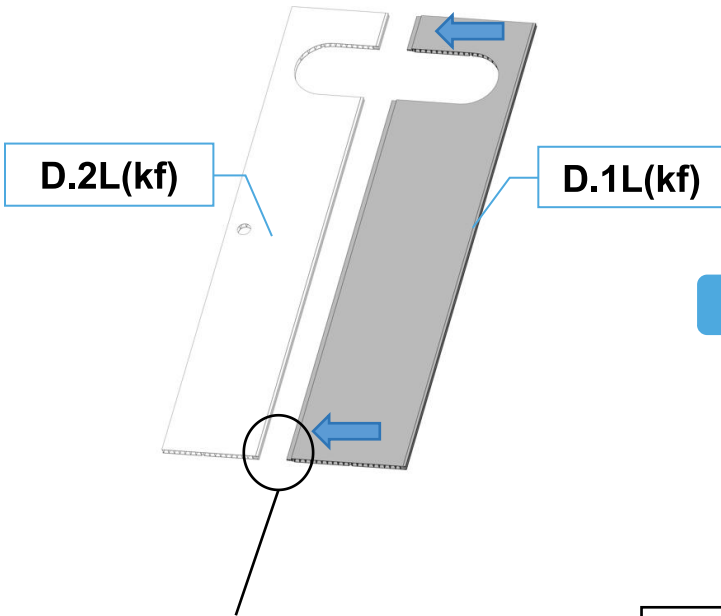
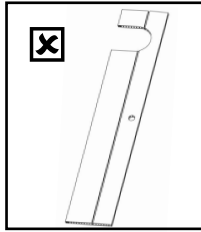
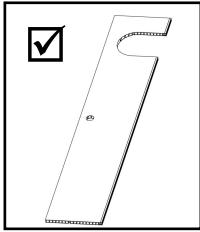


D.2L(kf)
1pcs

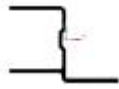


FT.1
6pcs

LEFT DOOR



54



D.2(kf)
1pcs



D.3(kf)
1pcs



D.4(kc)
2pcs



FT.5
12pcs



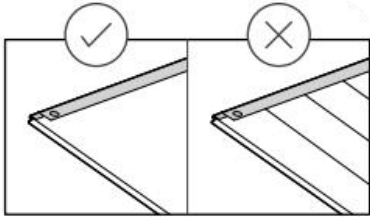
FT.6
14pcs



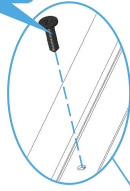
WIR2.OUT
1pcs



WIR2.IN
1pcs



FT.6



D.4(kc)

D.2(kf)

D.3(kf)

【Door Inside】

D.4(kc)

FT.5

WIR2.OUT

WIR2.IN

55



HD.8(kc)
2pcs



DH.5
1pcs



DH
Left



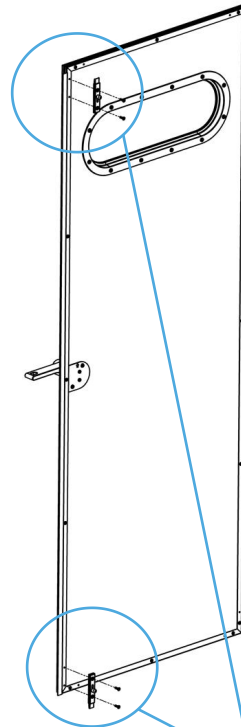
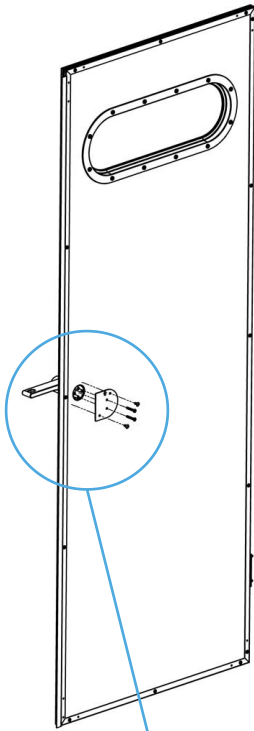
FT.2
2pcs



FT.3
4pcs



FT.6
4pcs



DH

DH.5

FT.3

FT.2

FT.6

HD.8(kc)

56



HD.9(kc)
1pcs



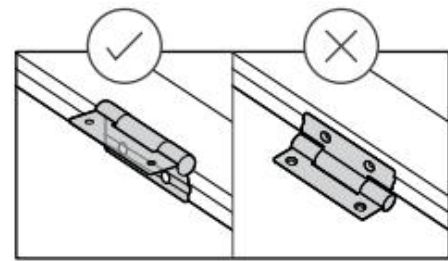
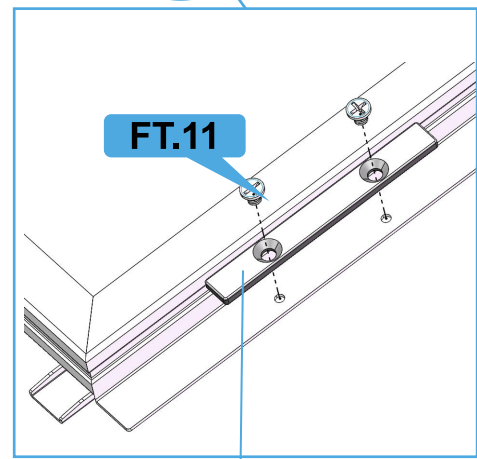
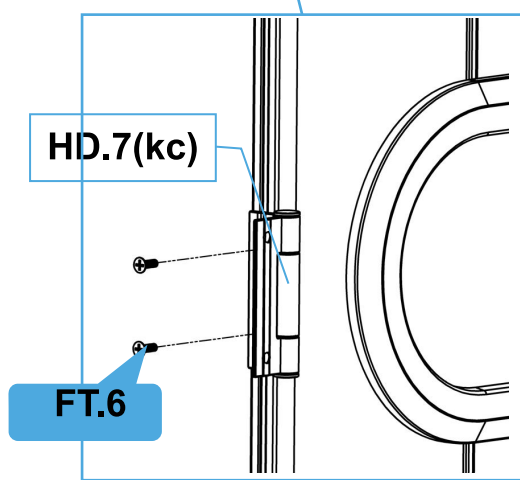
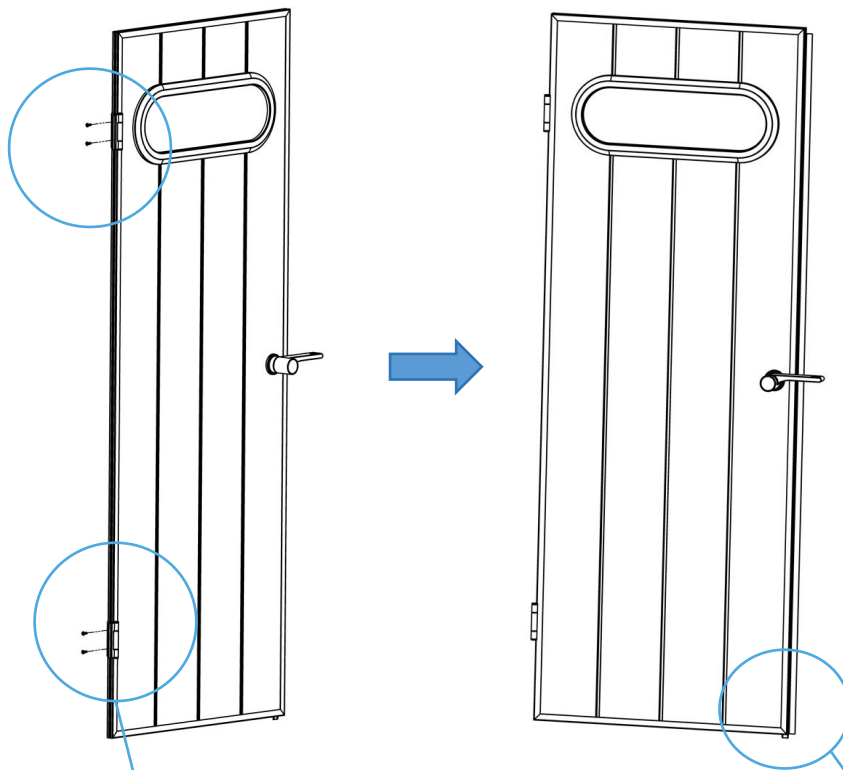
FT.11
2pcs



HD.7(kc)
2pcs



FT.6
4pcs



57



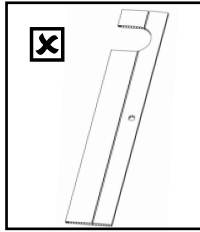
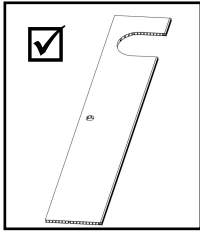
D.1R(kf)
1pcs



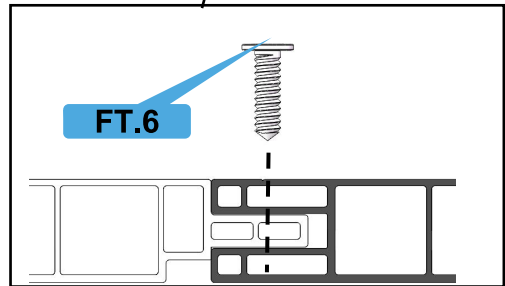
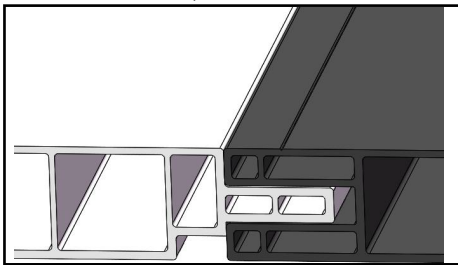
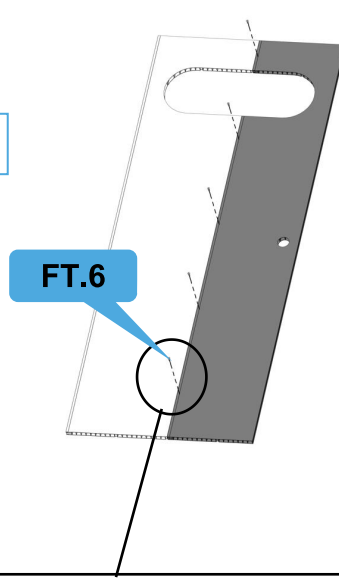
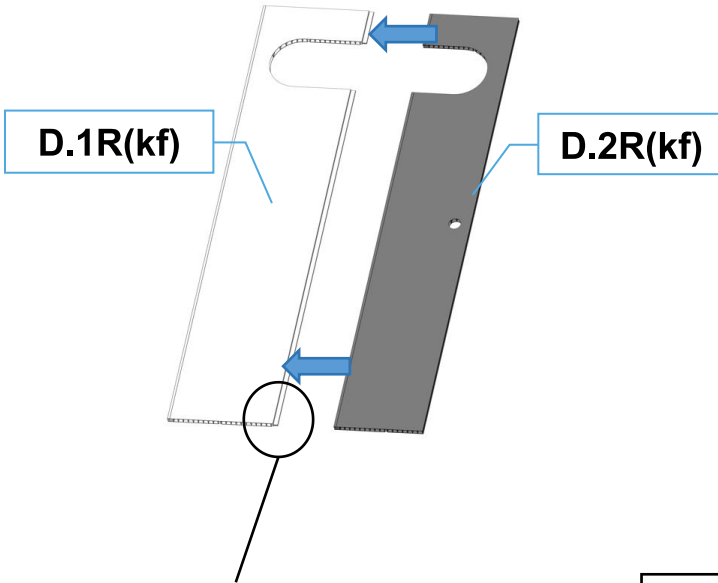
D.2R(kf)
1pcs



FT.1
6pcs



RIGHT DOOR



58



D.3A(kf)
1pcs



D.3(kc)
1pcs



D.4(kc)
2pcs



FT.5
12pcs



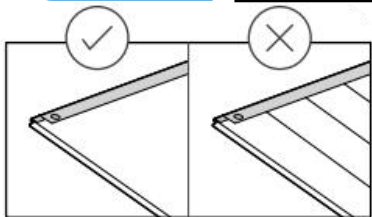
FT.6
15pcs



WIR2.OUT
1pcs



WIR2.IN
1pcs



RIGHT DOOR

FT.6

D.4(kc)

D.3(kf)

D.3A(kf)

D.4(kc)

FT.5

WIR2.OUT

WIR2.IN

59



HD.7(kc)
2pcs



DH
right



DH.5
1pcs



FT.6
6pcs



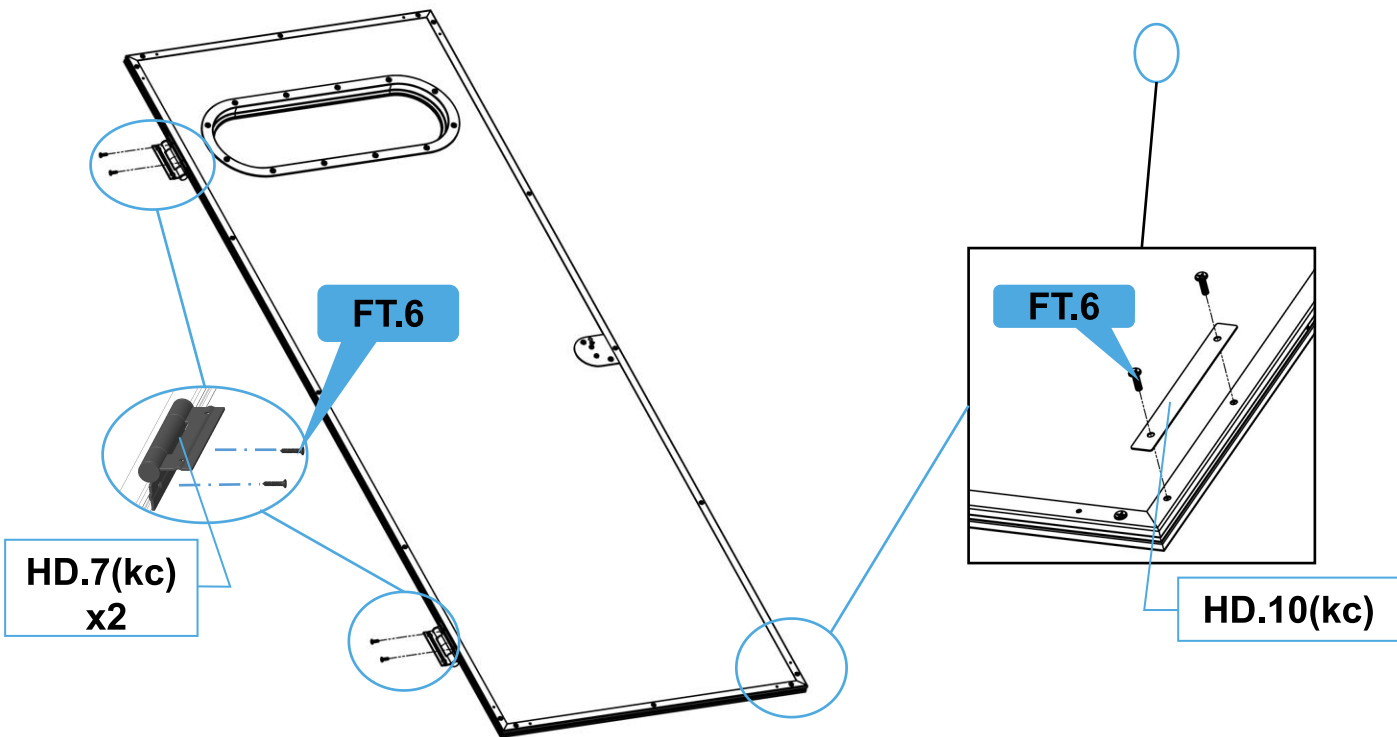
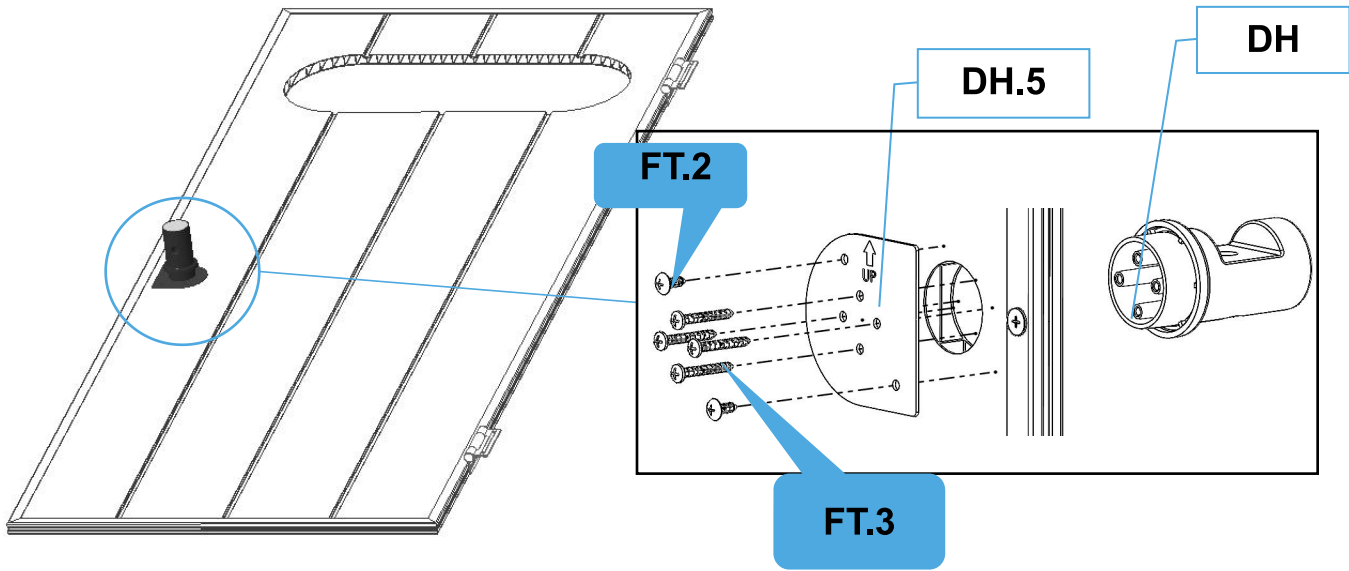
HD.10(kc)
1pcs



FT.2
2pcs



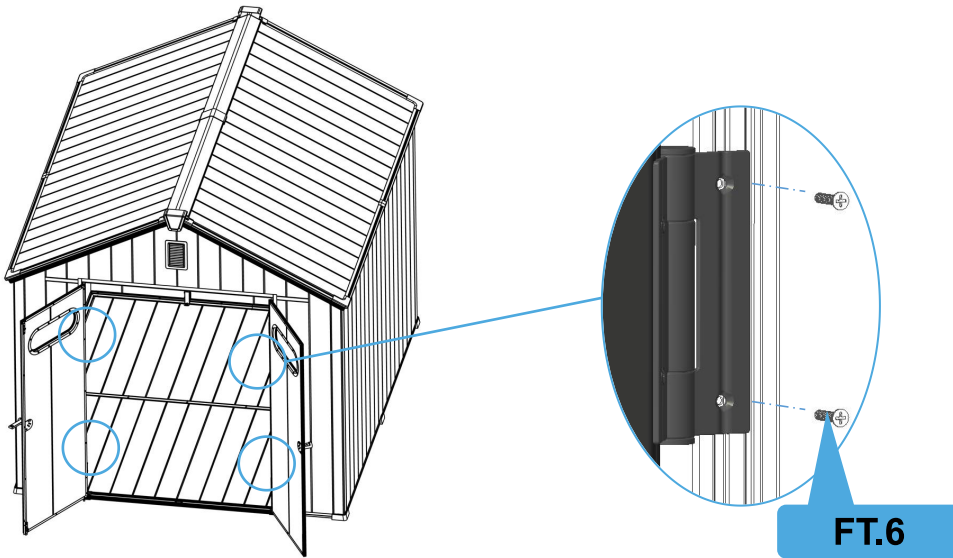
FT.3
4pcs



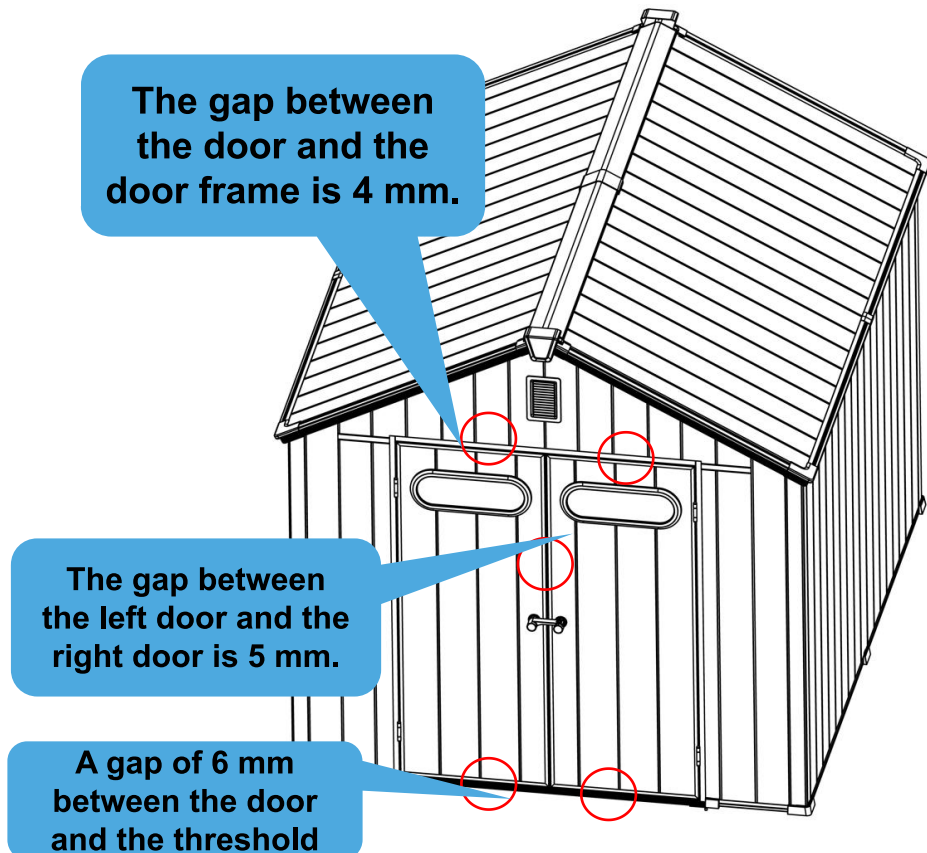
60



FT.6
8pcs



Standard state of door installation :



61



KRRH
2pcs



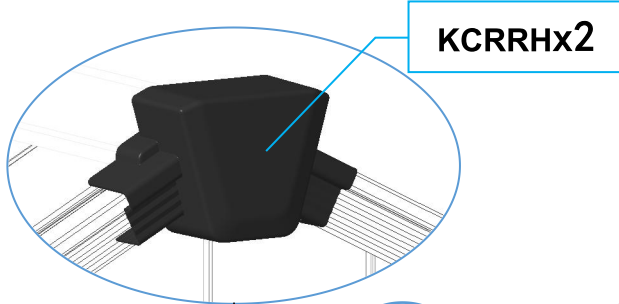
kcRBC.L
2pcs



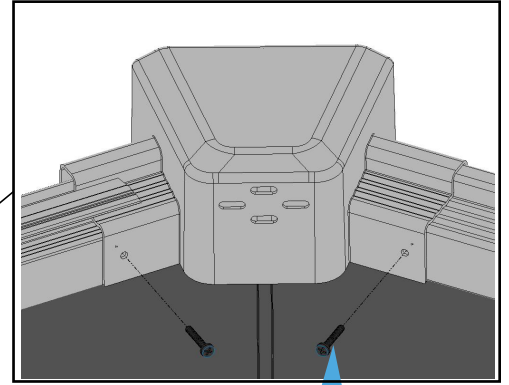
kcRBC.R
2pcs



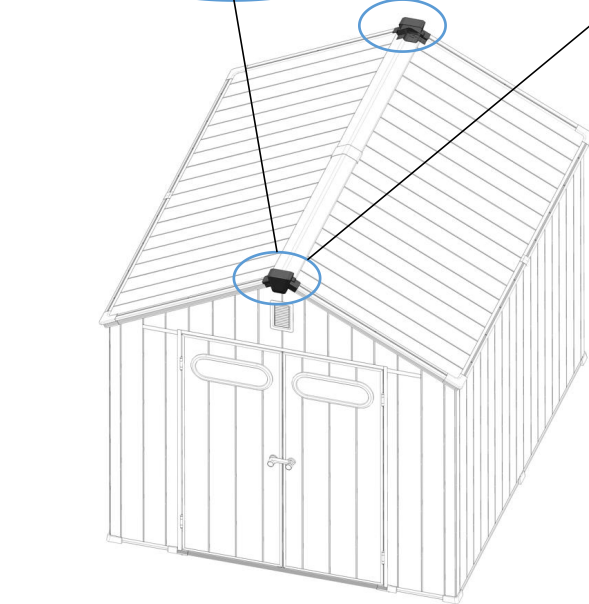
FT.2
12pcs



KRRHx2

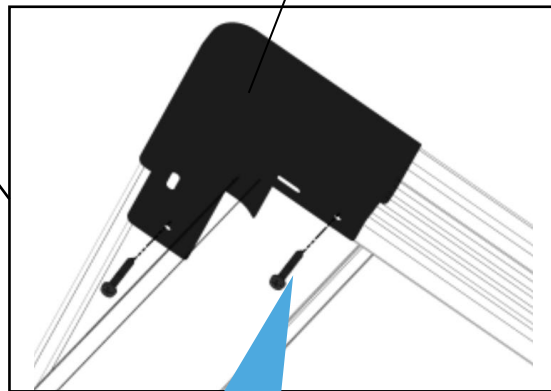


FT.2

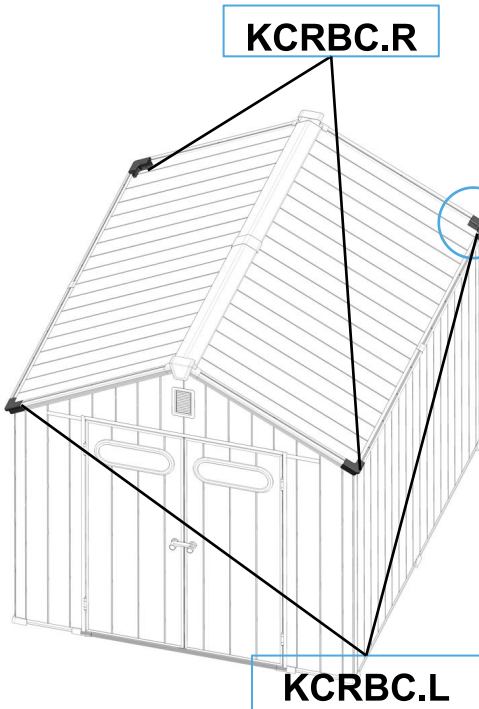


KCRBC.R

KCRBC.L



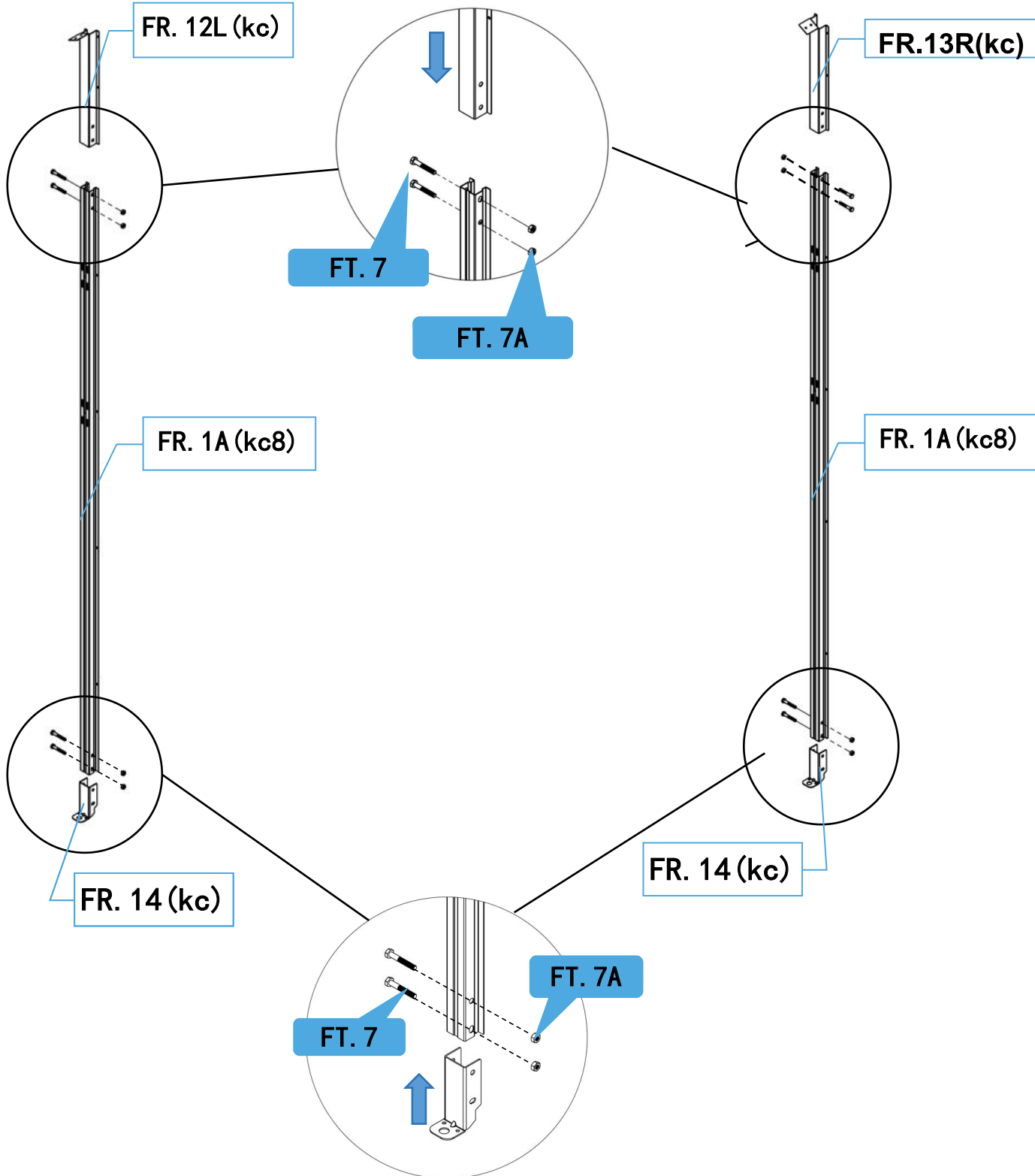
FT.2



KCRBC.L

62

					
FR.12L(kc) 1pcs	FR.13R(kc) 1pcs	FR.1A(kc8) 2pcs	FR.14(kc) 2pcs	FT.7 8pcs	FT.7A 8pcs



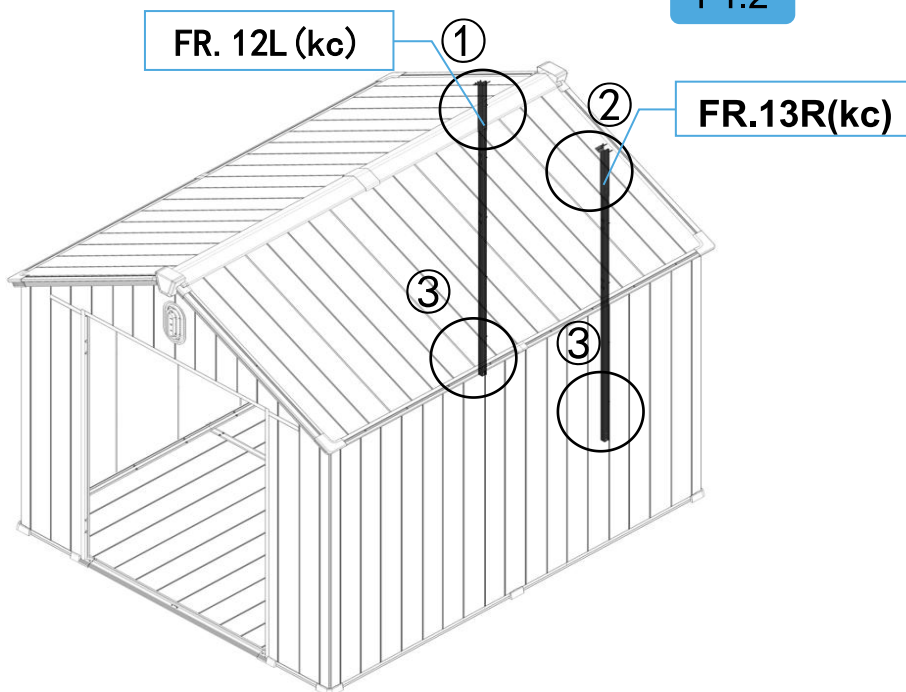
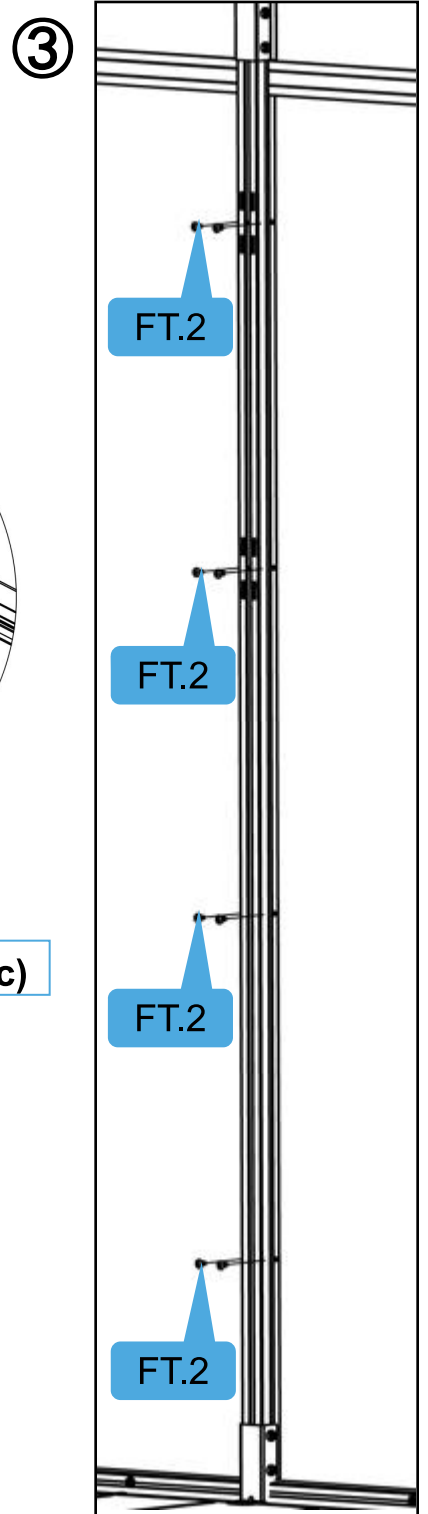
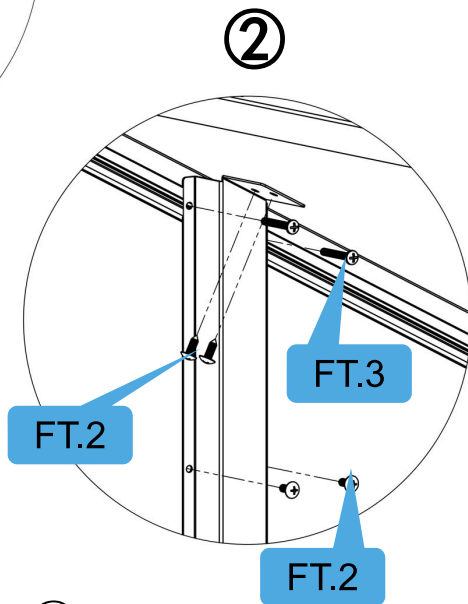
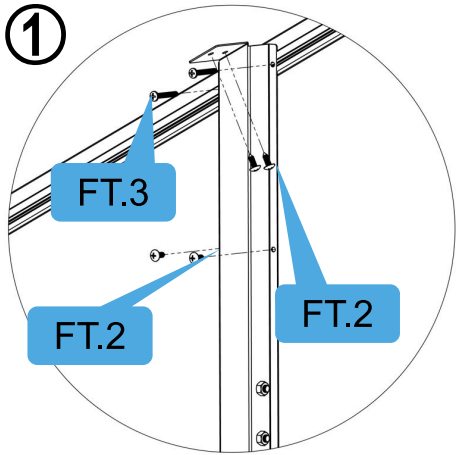
63



FT. 2
24pcs



FT.3
4pcs



64



FR. 10L (kc)
1pcs



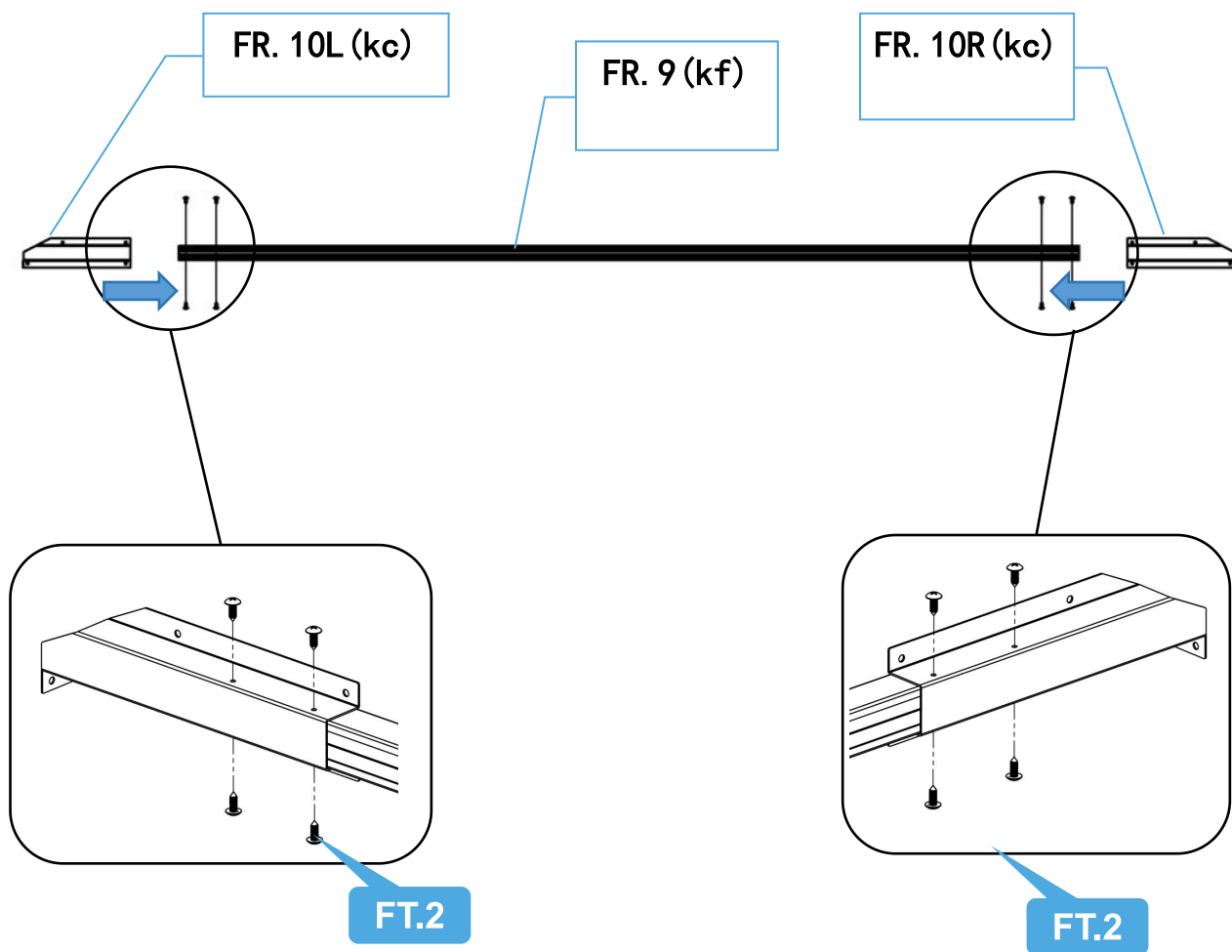
FR. 10R (kc)
1pcs



FR. 9 (kf)
1pcs



FT. 2
8pcs



65



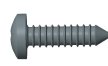
FR. 10L (kc)
1pcs



FR. 10R (kc)
1pcs



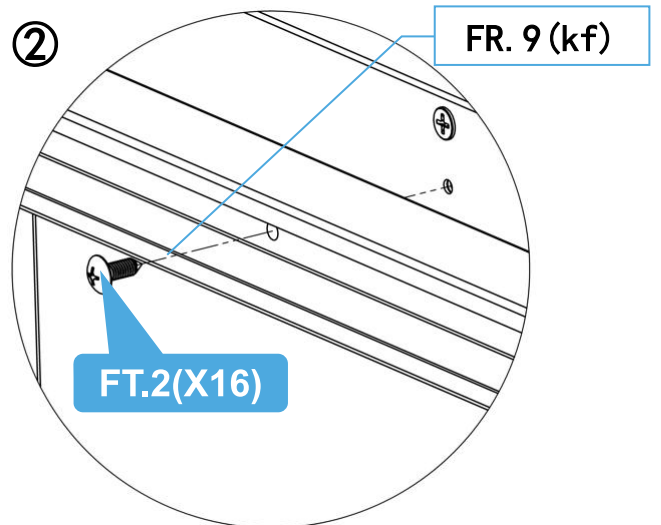
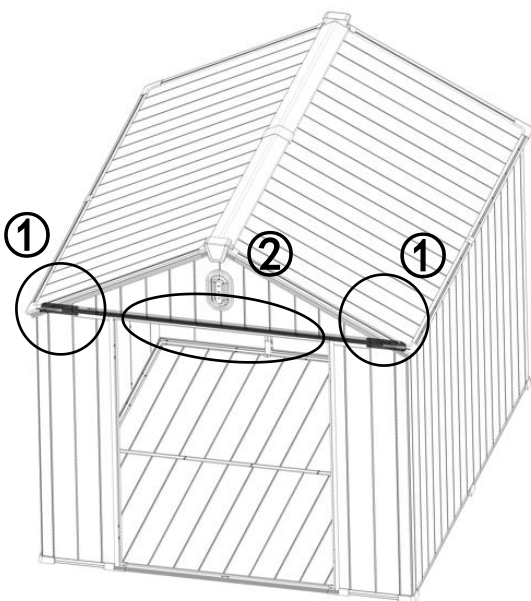
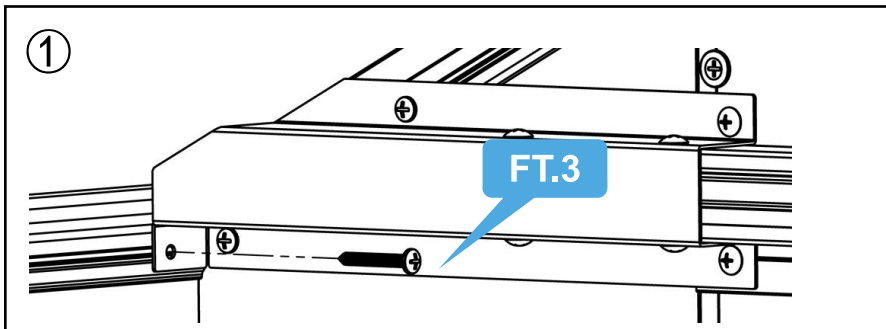
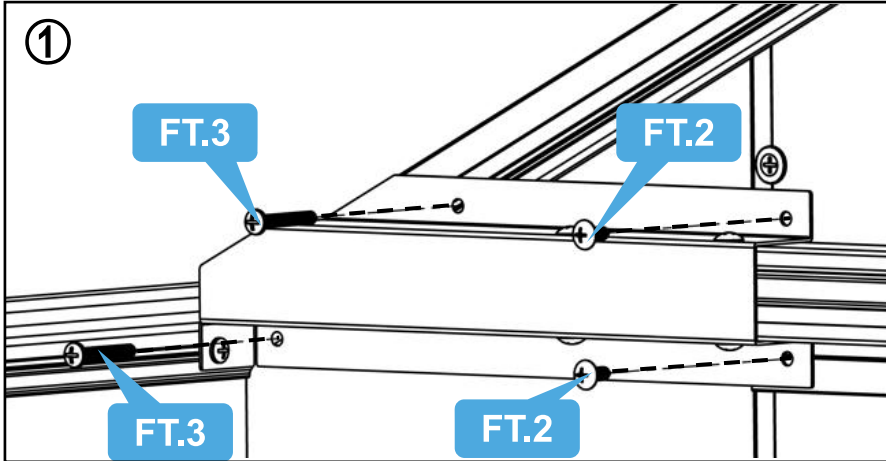
FR. 9 (kf)
1pcs



FT.3
6pcs

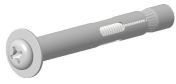


FT. 2
20pcs



STEP 5 Final Installation(Anchors)

66



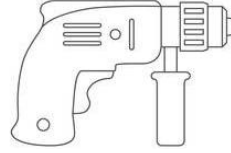
FT.12
8pcs



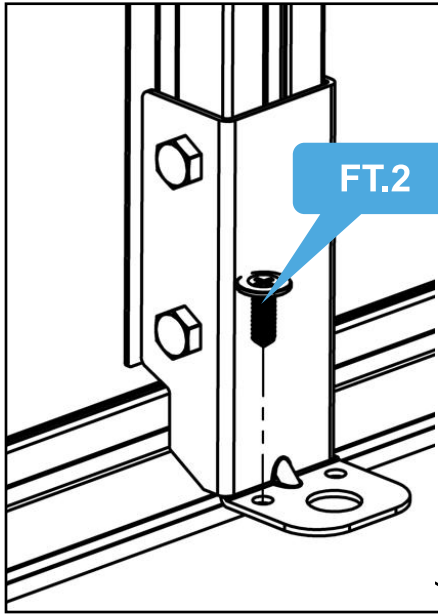
FT.2
10pcs



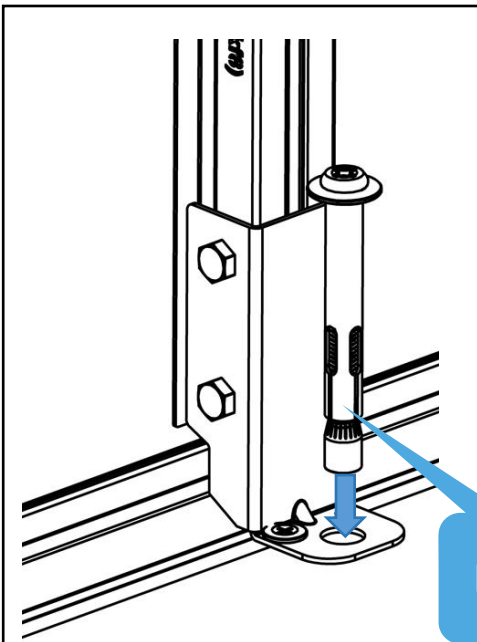
HD.6(kc)
2pcs



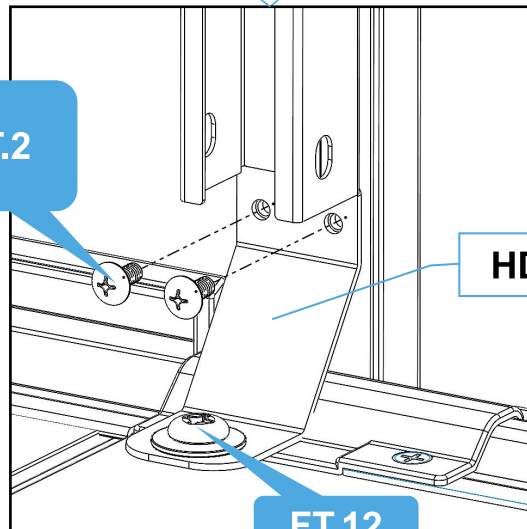
M 10



FT.2



FT.12

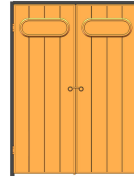


FT.2

HD.6(kc)

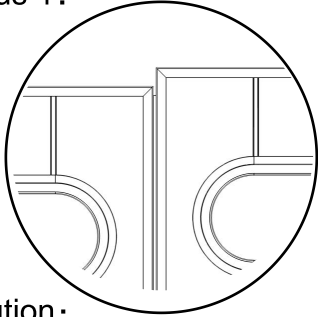
FT.12

Door misalignment adjustment: double doors

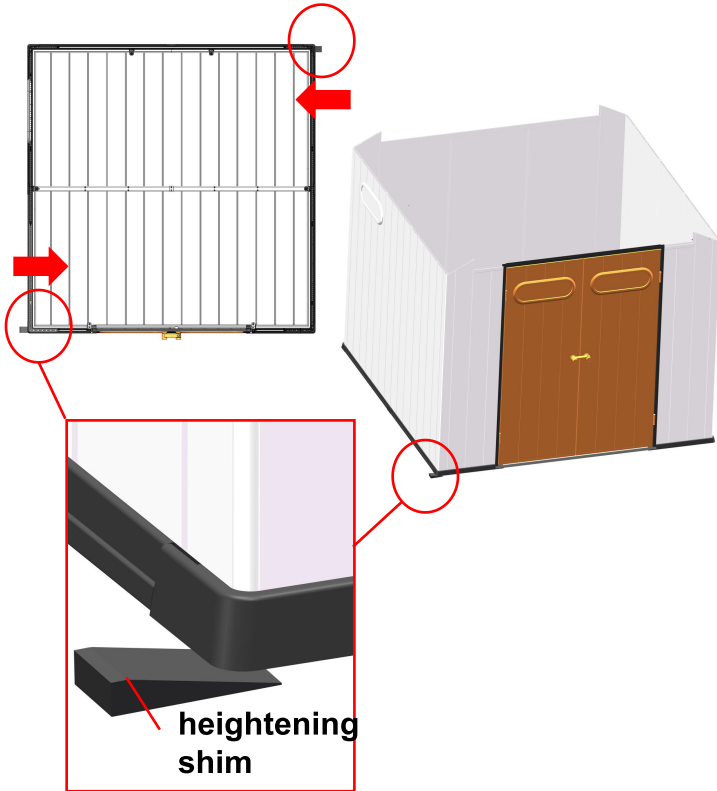


FAQ: If the ground is uneven, it may cause the door to be crooked.

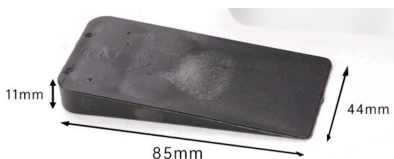
Status 1:



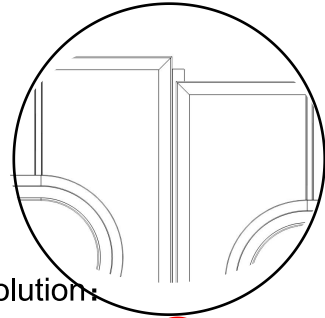
solution:



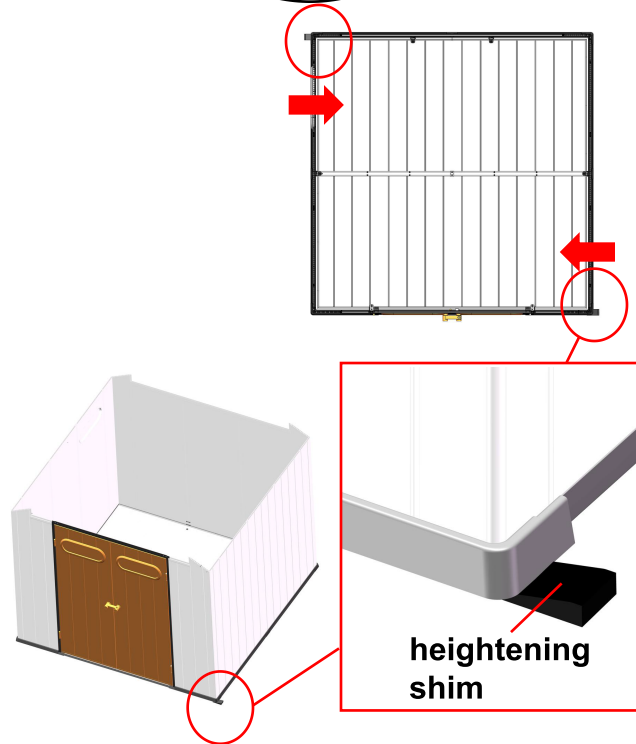
If the randomly provided height-increasing shims are not sufficient, other flat and sturdy items can be used.



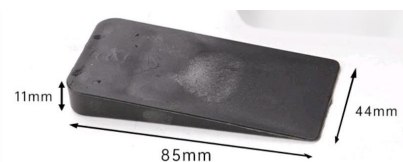
Status 2:



solution:



If the randomly provided height-increasing shims are not sufficient, other flat and sturdy items can be used.



CARE & MAINTENANCE

- Do not put hot items directly on furniture surface.
- Do not clean furniture with harsh cleansers or polish.
- To obtain the longest lifespan of your products, minimizing exposure to direct sunlight is recommended.
- Children should not climb or jump on the furniture.
- Do not write on furniture without a padded barrier to protect the surface.
- Stains may be removed with mild soap solution and damp cloth.
- Keep away from sources of ignition.

PRODUCT WARRANTY INFORMATION

All items can be returned for any reason within 30 days since purchase date and will receive a full refund as long as the item is returned in its original product packaging and all accessories from its original shipment are included. All returned items will receive a full refund back to the original payment method. All returned items will be charged a re-stocking fee, \$10 per piece.

All returns must be shipped back to our warehouse at the customer's expense. If the reason for return is a result of an error by us, then we will provide a prepaid shipping label via email. Boxes for return shipping will not be provided by us, and is the customer's responsibility to either use the original shipping boxes or purchase new Boxes.

Pictures may be required for some returns to ensure an item is not damaged prior to its return. Items returned are not considered undamaged until they are received by us and verified as such.

All damages to items are the customer's responsibility until the item has been received by and acknowledge by us as undamaged.

WARNING

The seller and manufacturer will not be liable for any personal injury, property damage or loss, which result from the incorrect assembly, improper use, inadequate maintenance, or neglect of the product. Whether it's direct, indirect, or incidental.