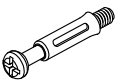

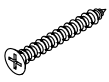




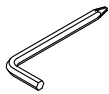


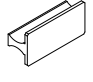


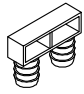


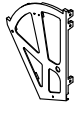
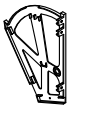
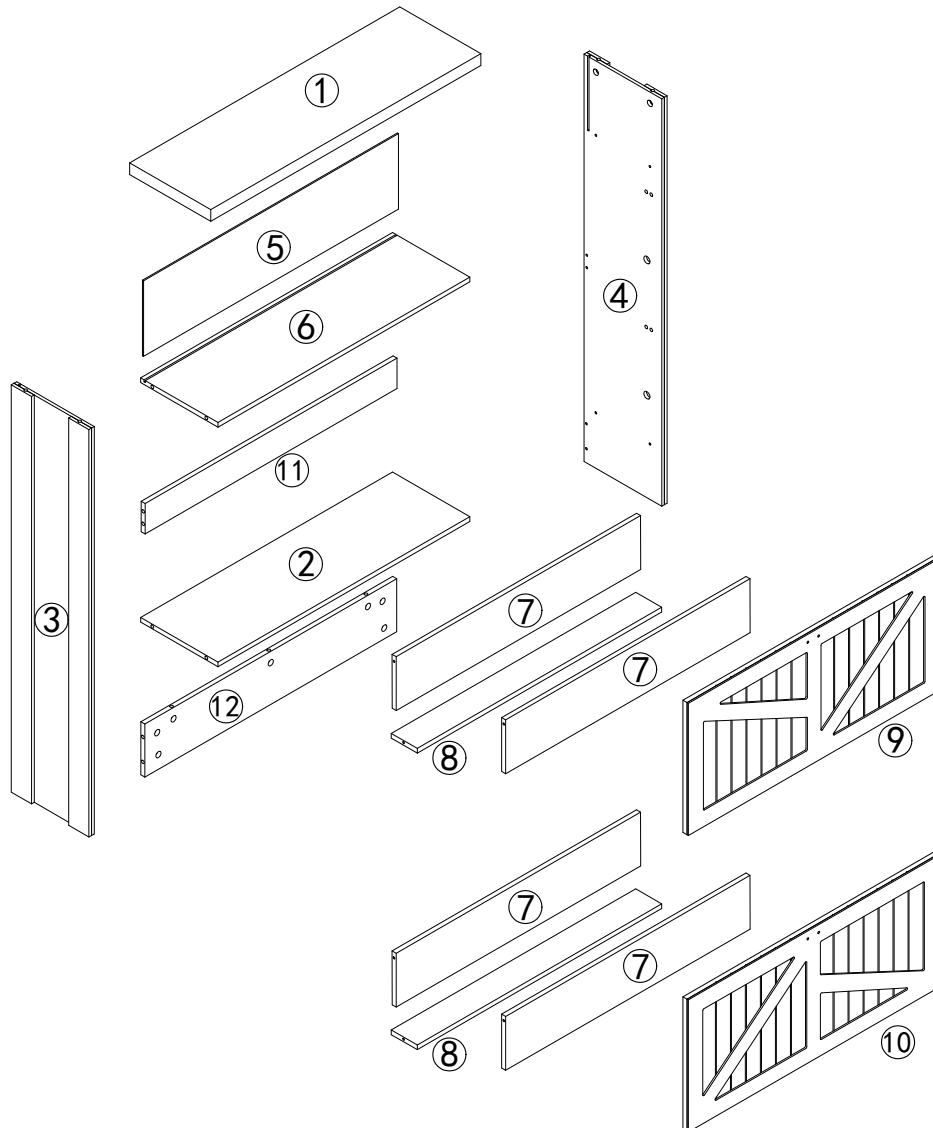
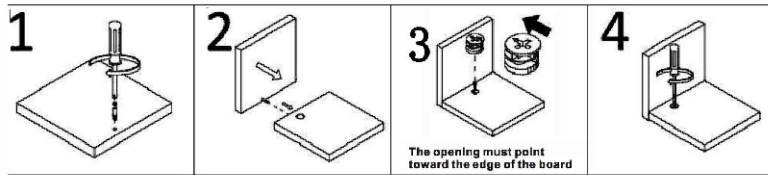


Assembly Instruction

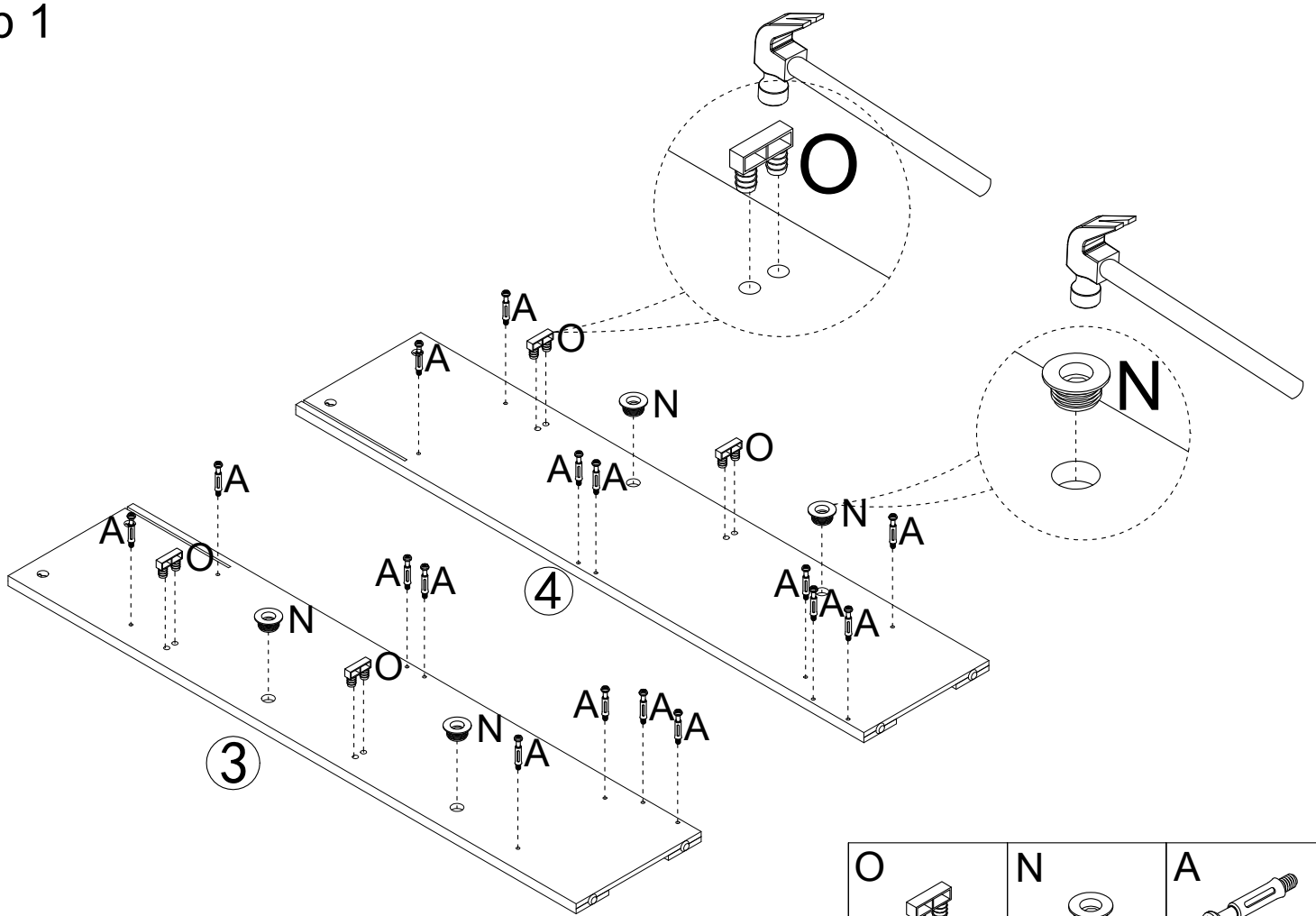
A M6X35  23PCS	B Ø15X9  23PCS	C M4X35  2PCS	D  4PCS	E M4X14  4PCS	F M3.5X16  24PCS	G M3X16  4PCS	H 4mm  1PC
I Ø6x30  2PCS	J M4X18  4PCS	K  2PCS	M  4PCS	N  4PCS	O  4PCS	P M4X14  2PCS	Q  2PCS
L  2PCS	R  2PCS						

Cam Lock Fastening System

Insert the cam bolt into the hole first, then insert the cam lock and lock it.

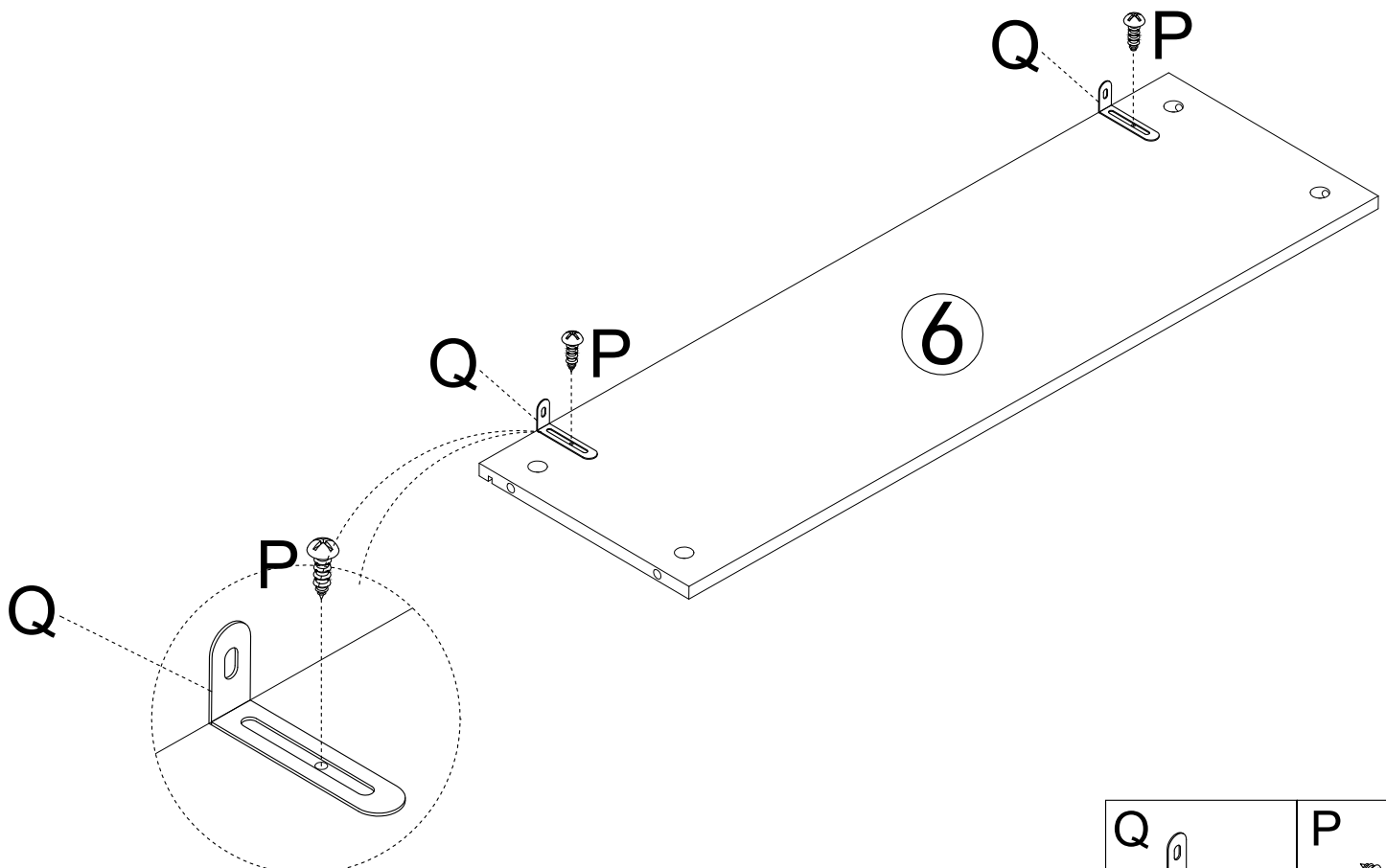


Step 1



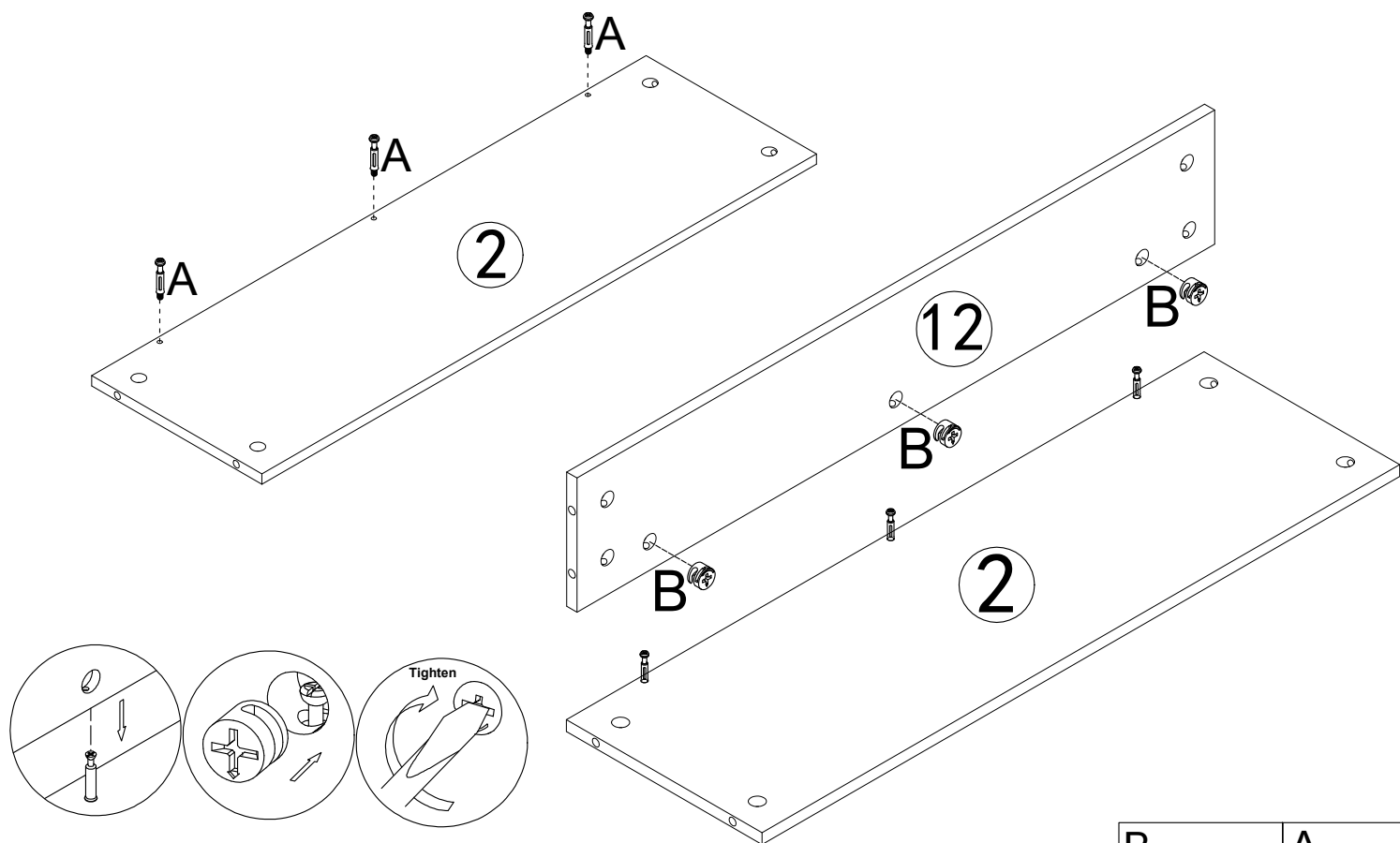
O	N	A
4PCS	4PCS	16PCS


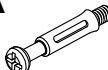
Step 2



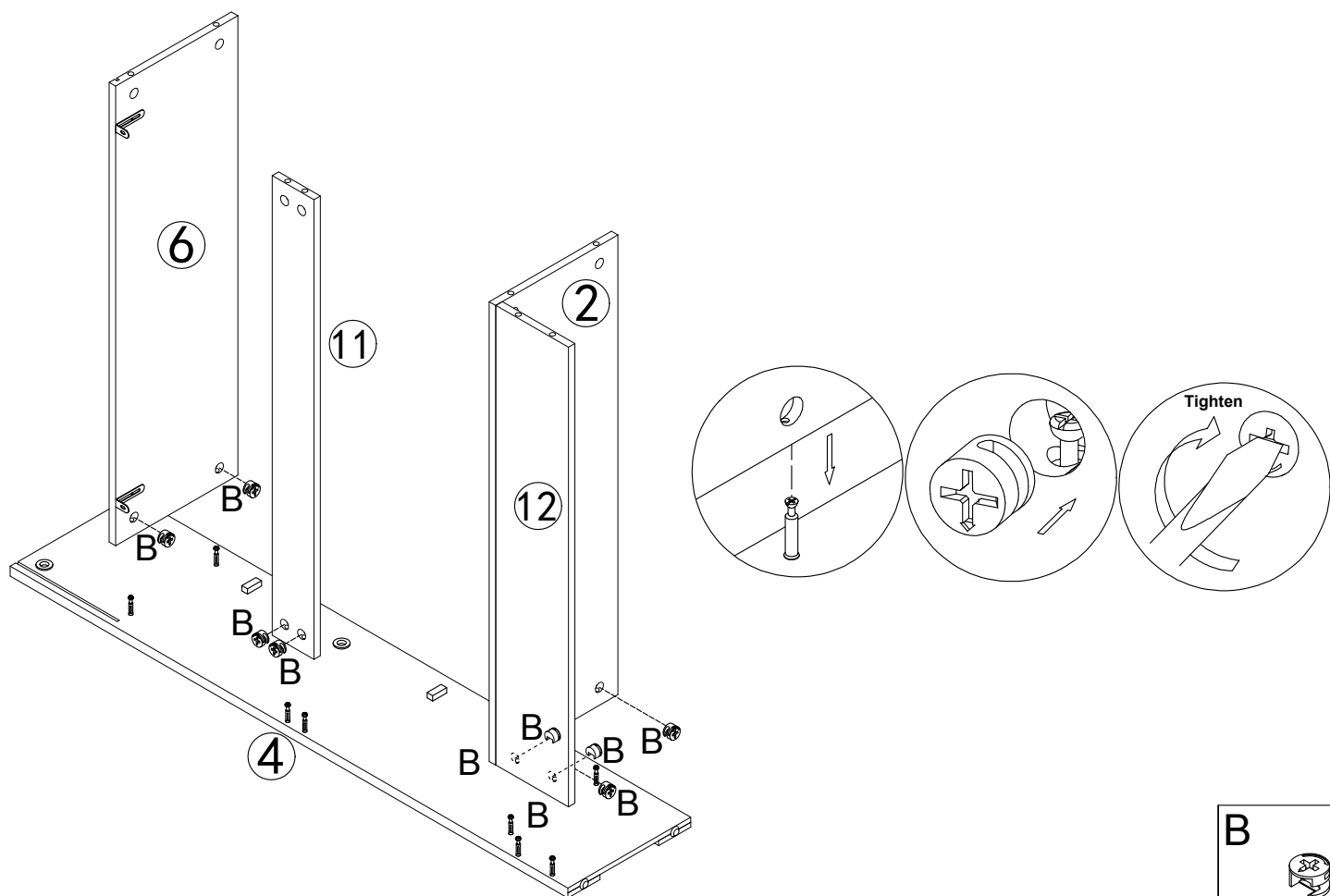
Q	P
2PCS	2PCS


Step 3



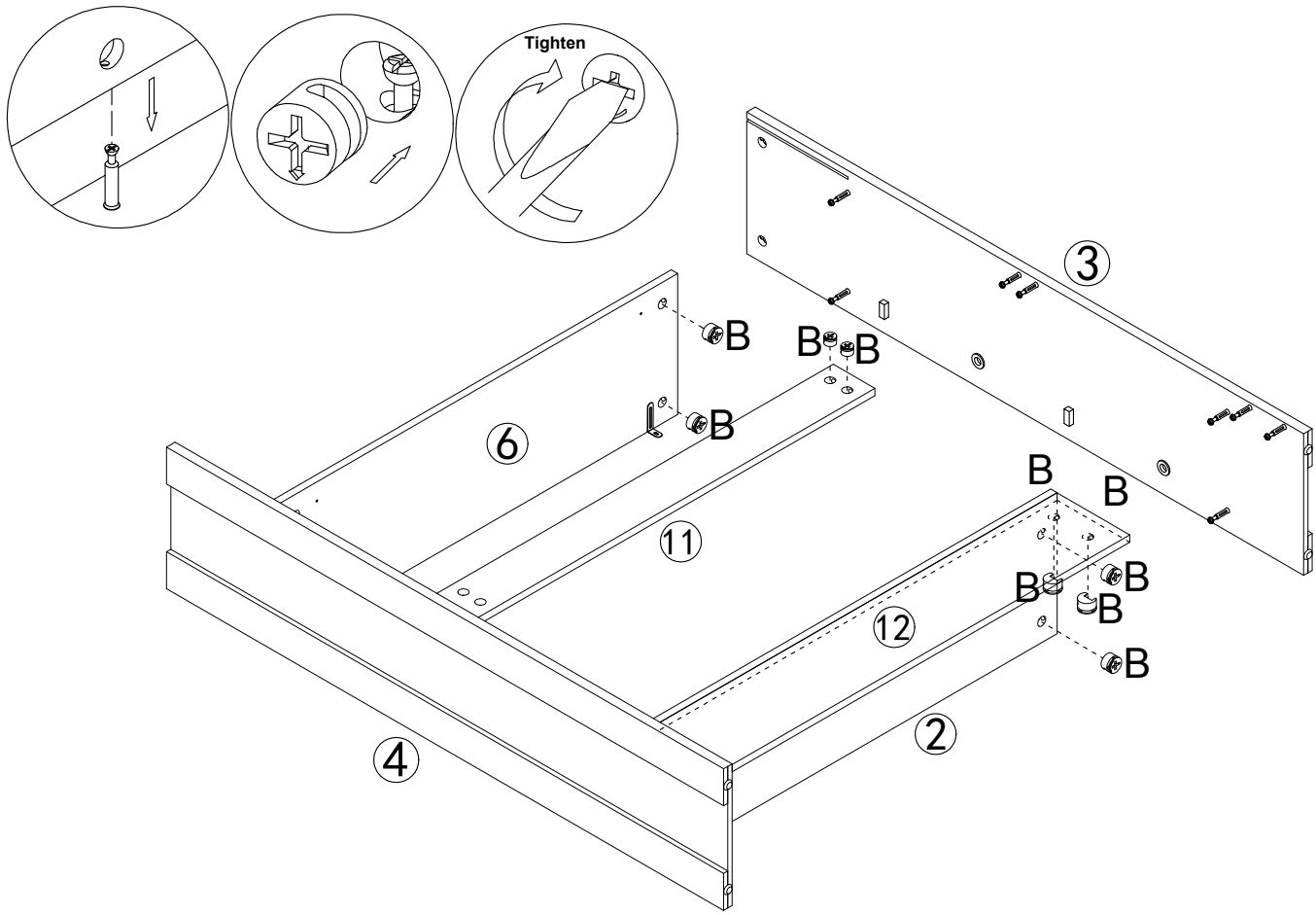
B		A	
	3PCS		3PCS

Step 4

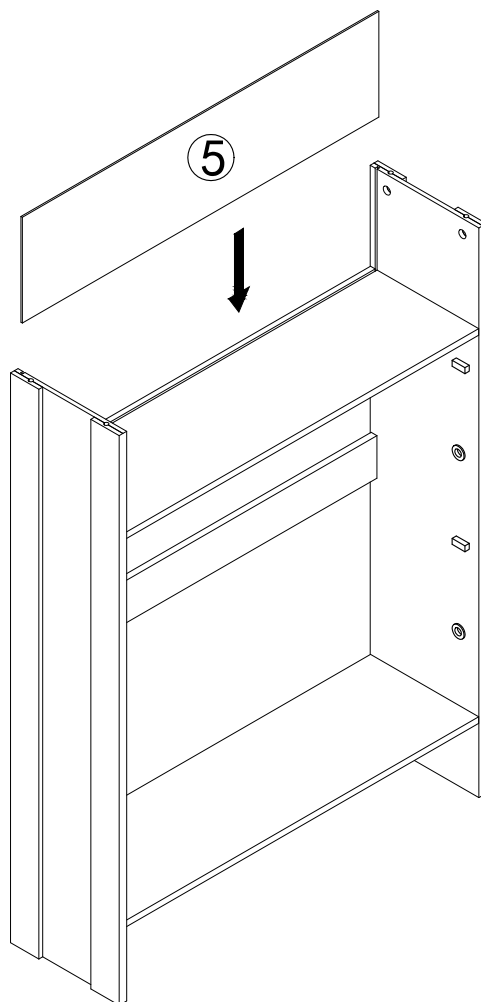


B	
	8PCS

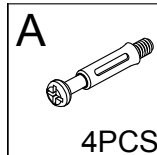
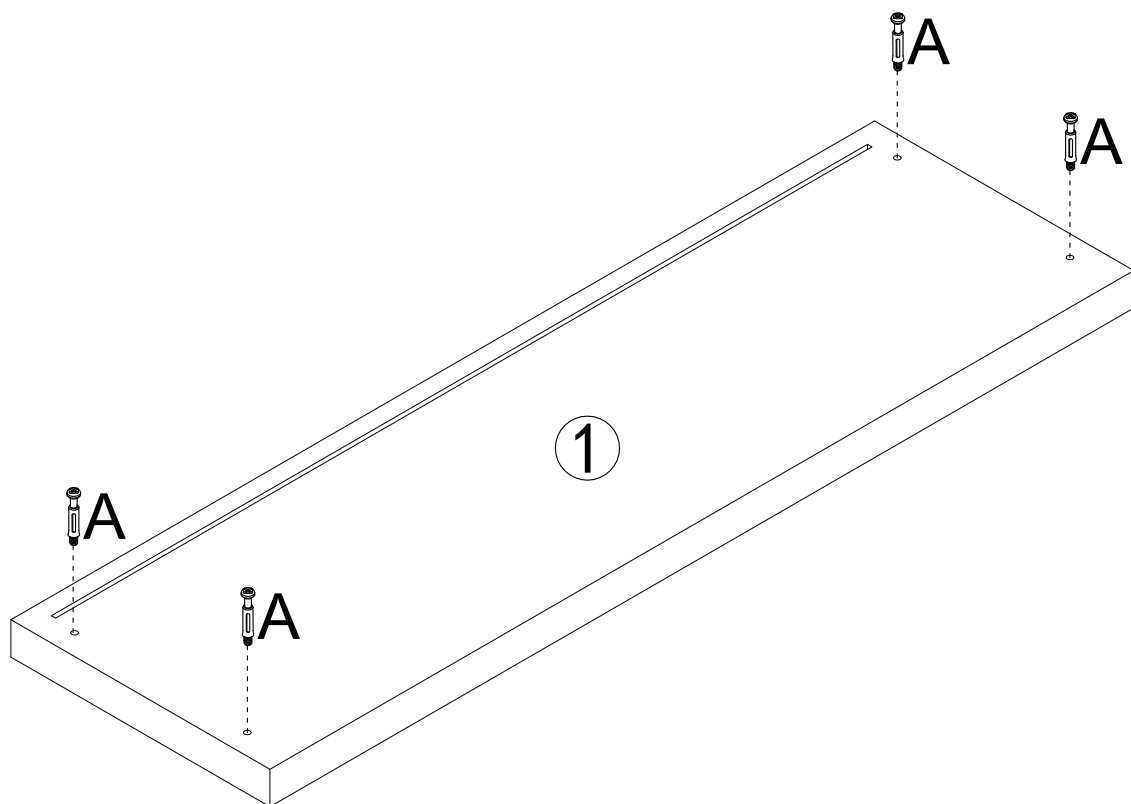
Step 5



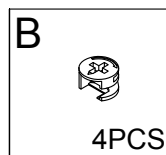
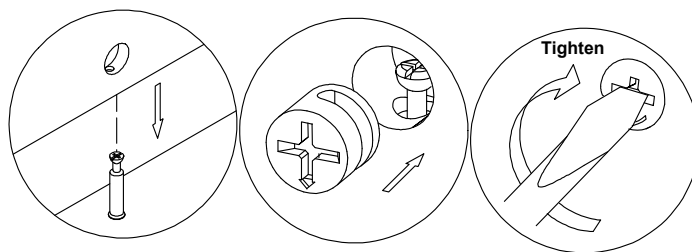
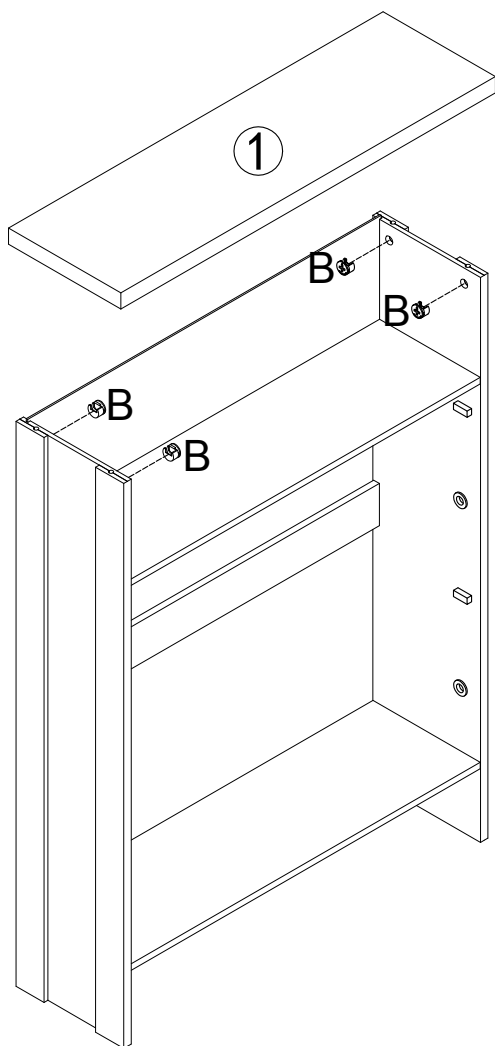
Step 6



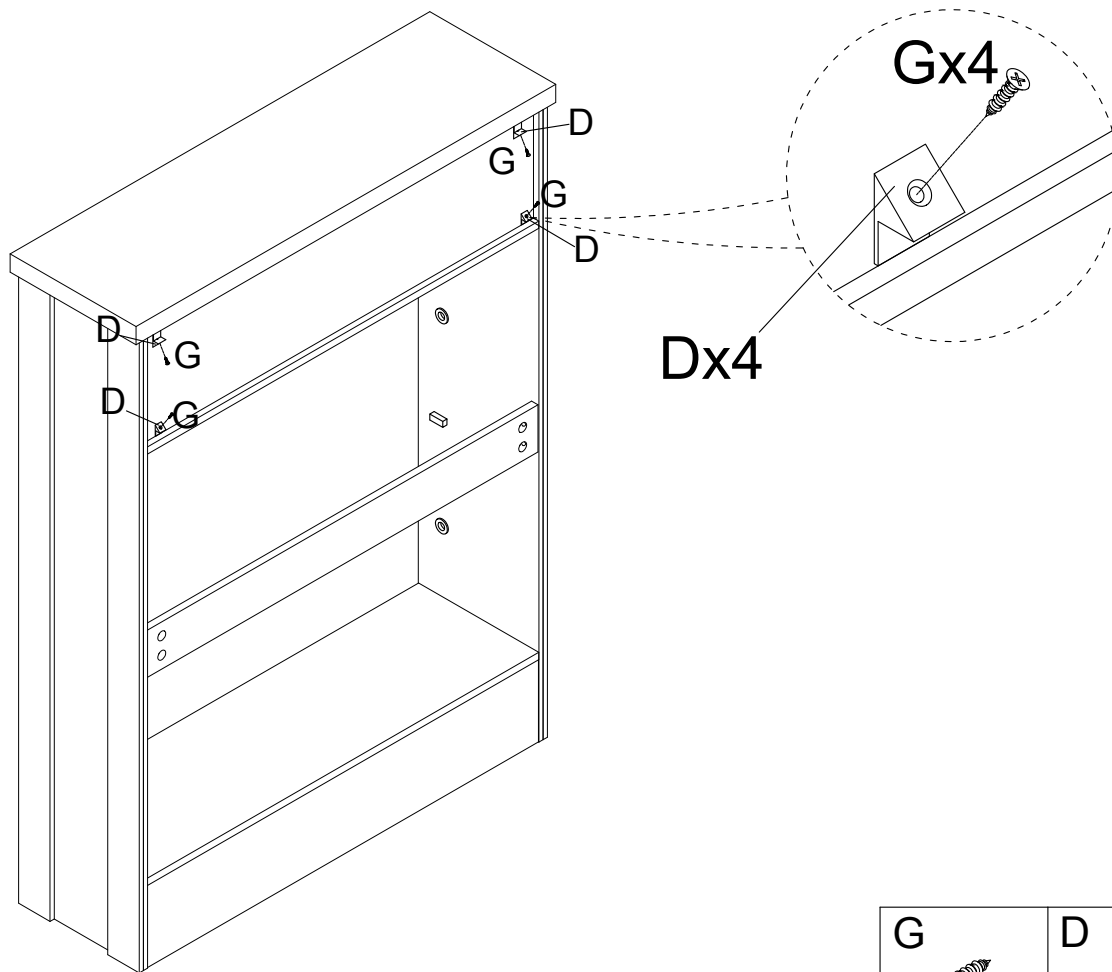
Step 7





Step 8

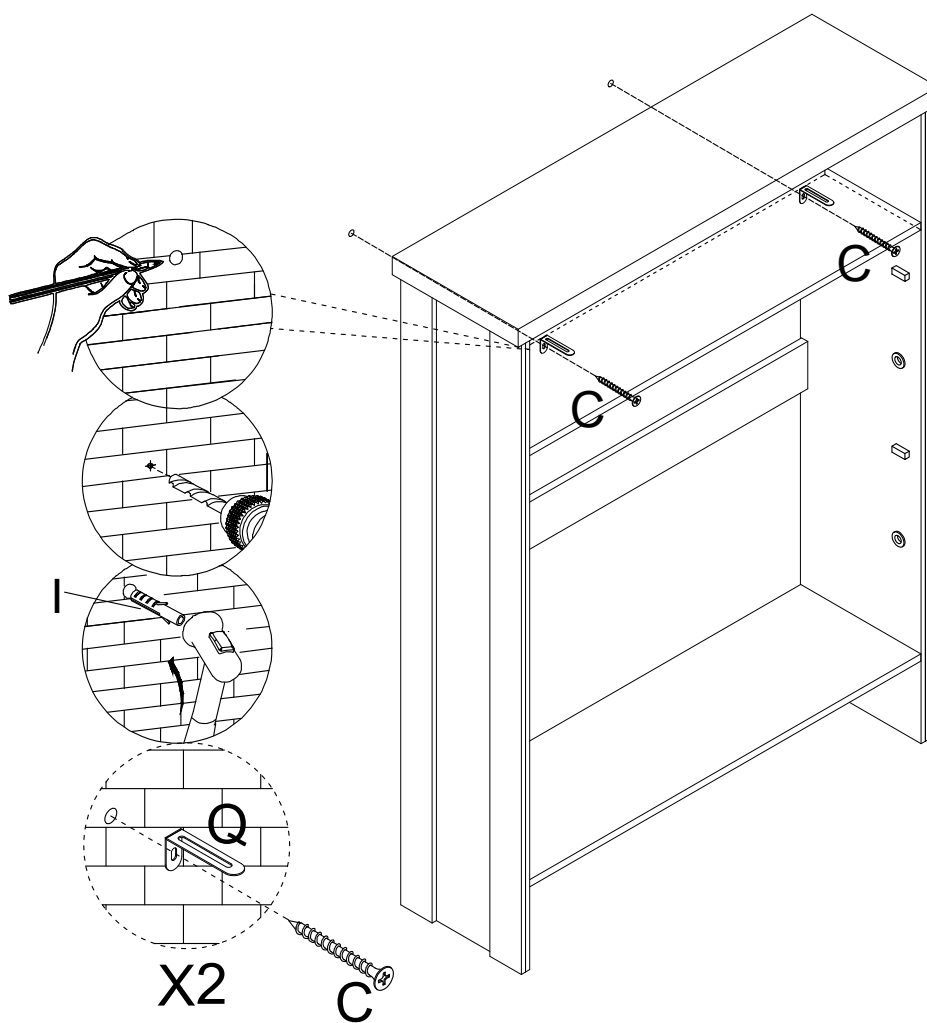



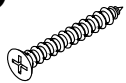
Step 9



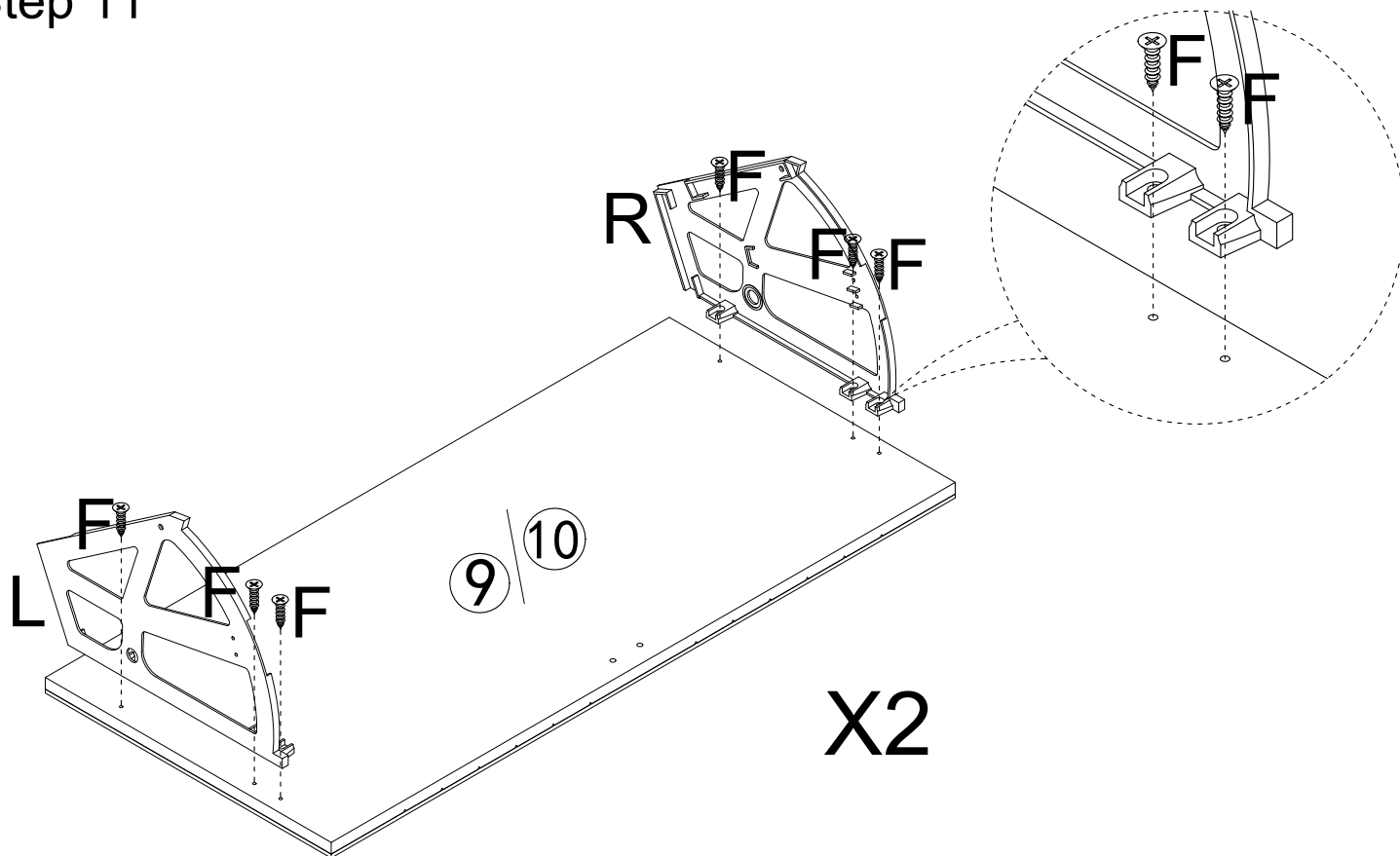
G 	D 
4PCS	4PCS

Step 10



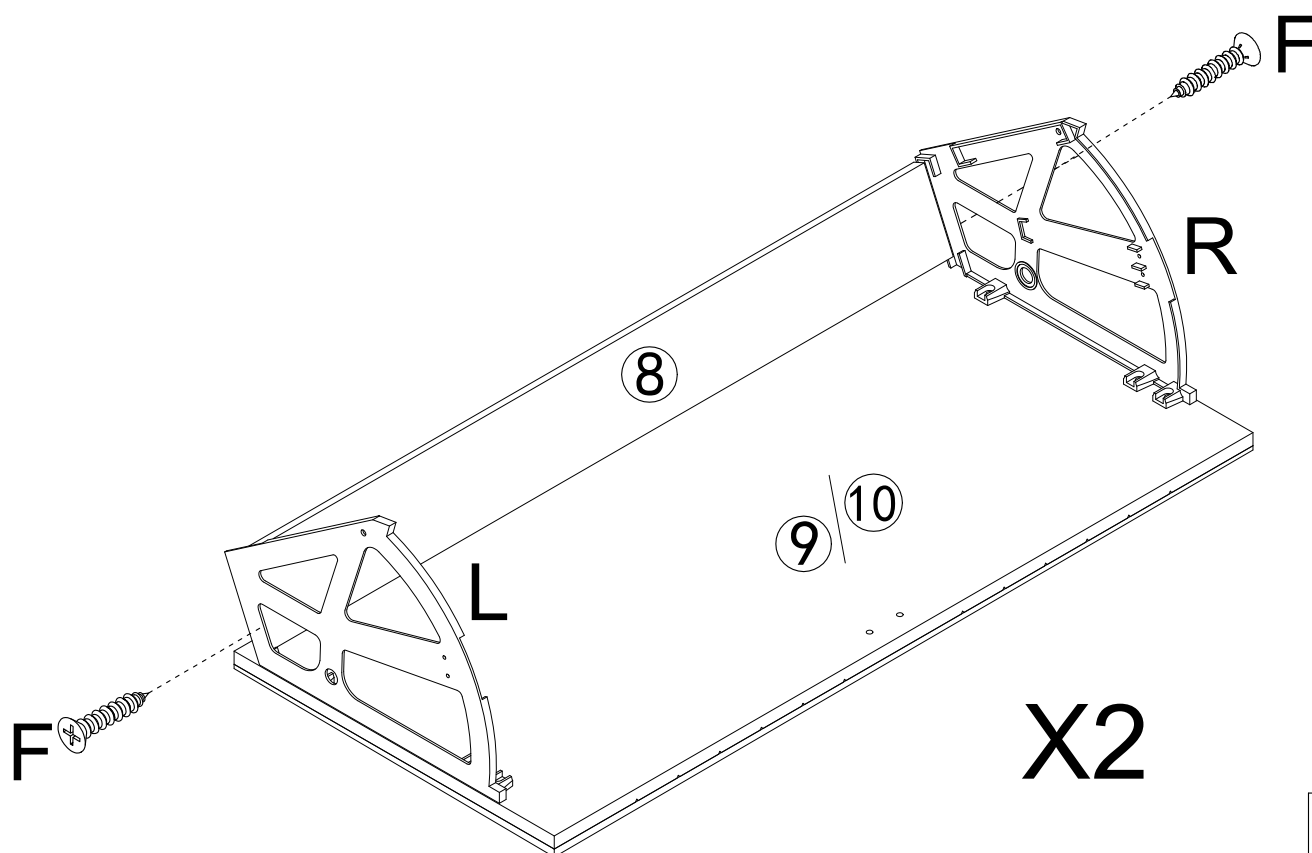
I 	C 
2PCS	2PCS

Step 11



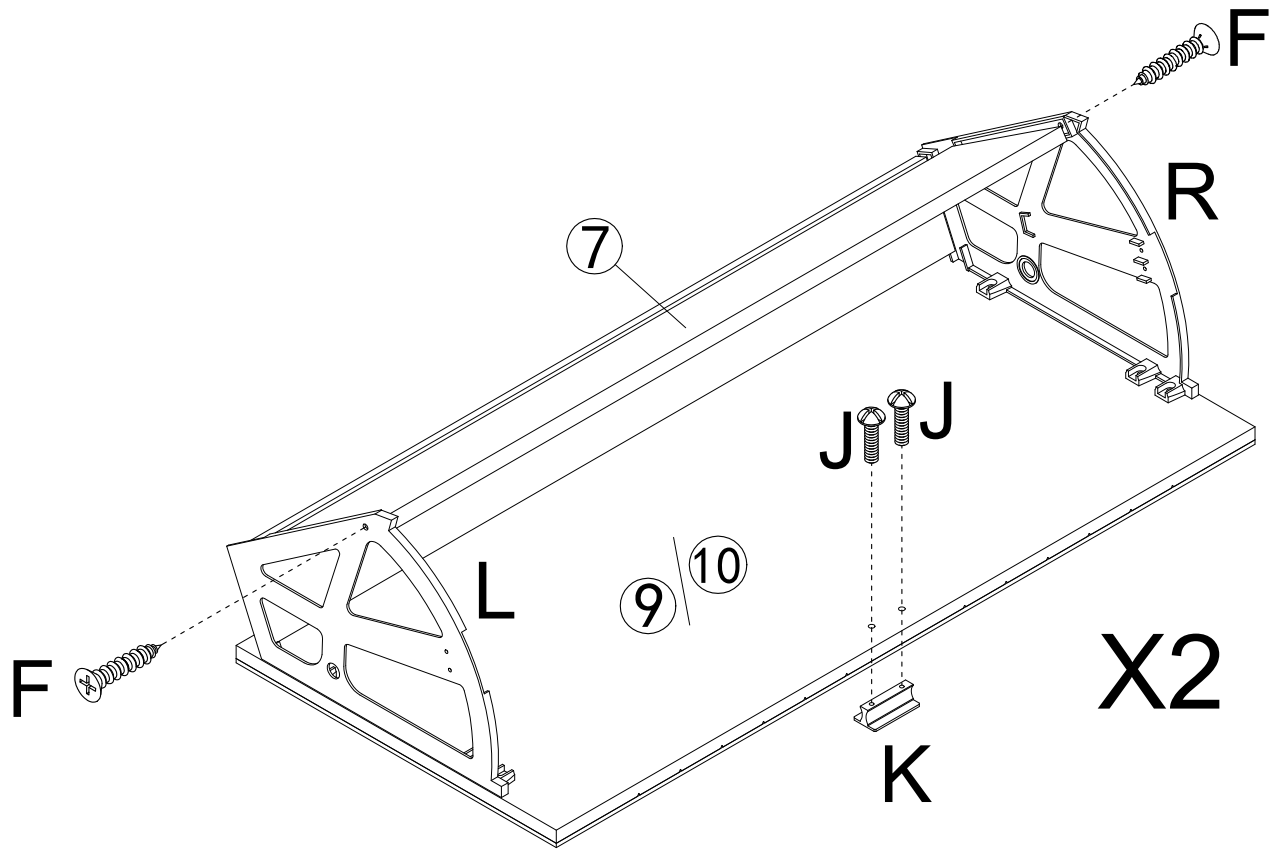
F
12PCS




Step 12



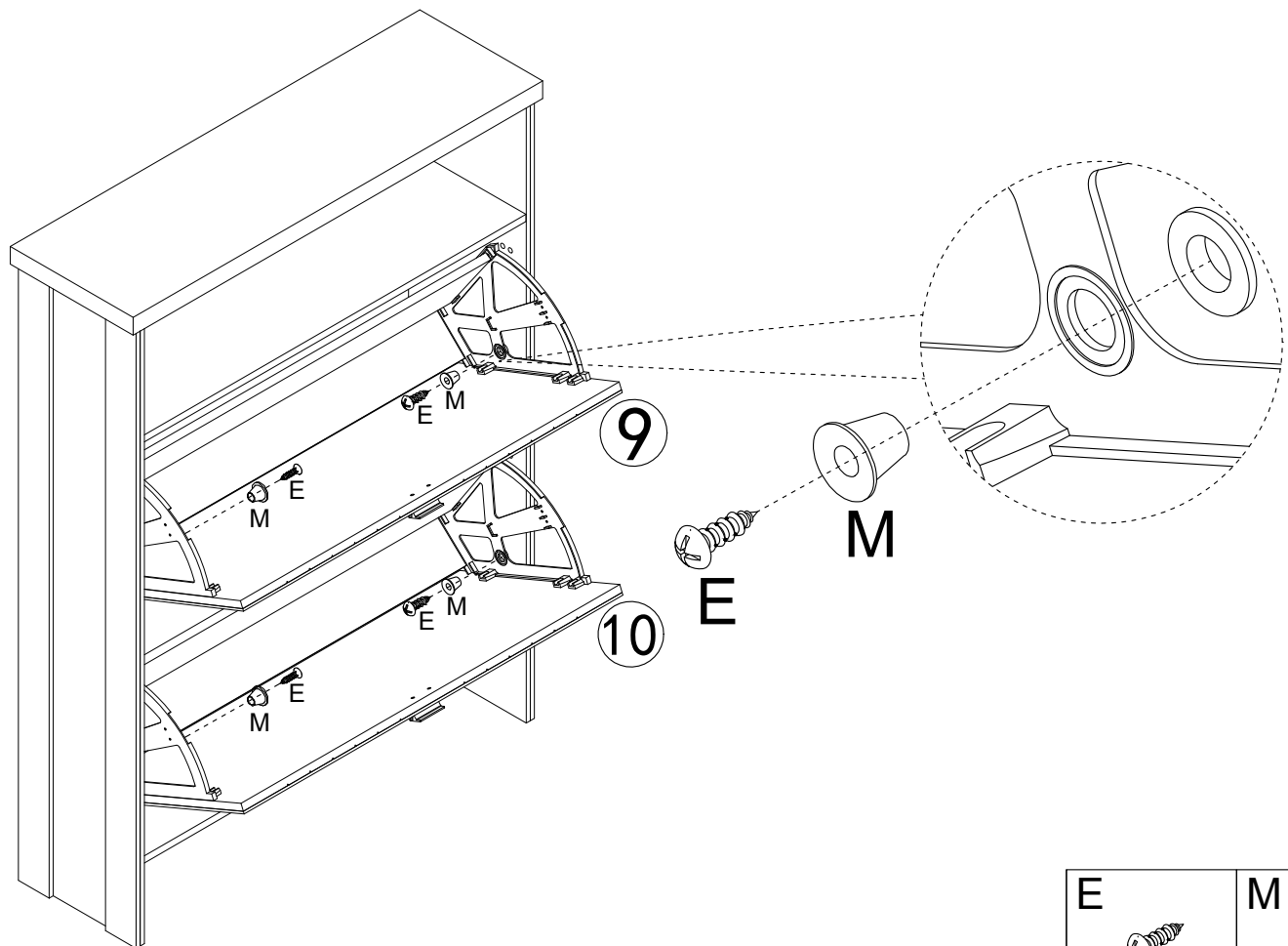
F
4PCS



Step 13



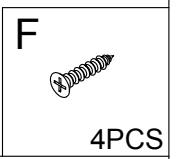
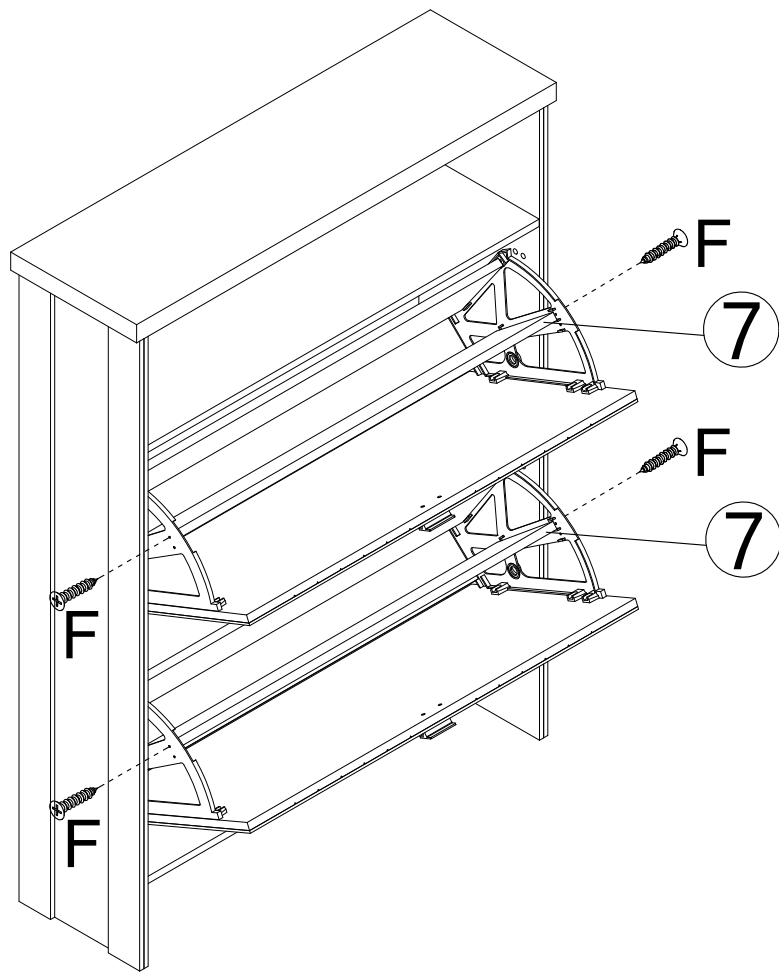
J	K	F
		
4PCS	2PCS	4PCS

Step 14



E	M
	
4PCS	4PCS

Step 15



Step 16

