


	QTY	Product ID	Series	Product Type	Description	Color	Stock*	Expected Stock*	Expected Stock ETA*
	1	29286	N/A	Kitchen Sink	32-in. W CSA Approved Stainless Steel Kitchen Sink With 2 Bowl And 16 Gauge	Stainless Steel	999	0	

*Estimated as of 19 Apr 2022 9:41 AM.

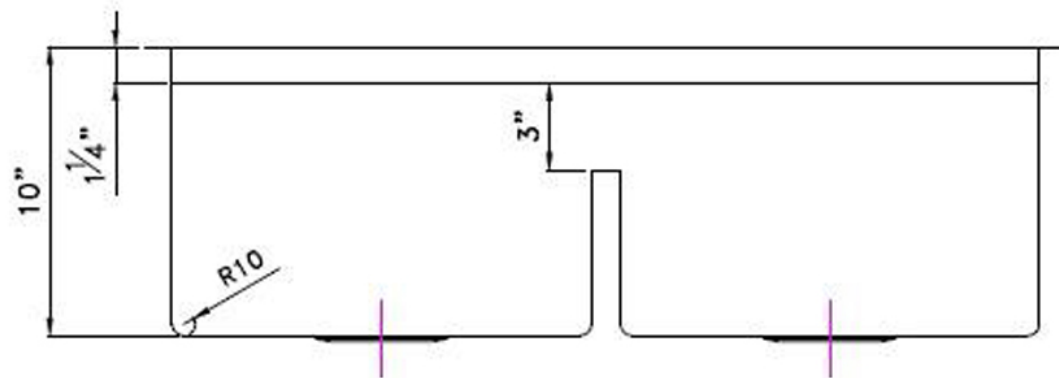
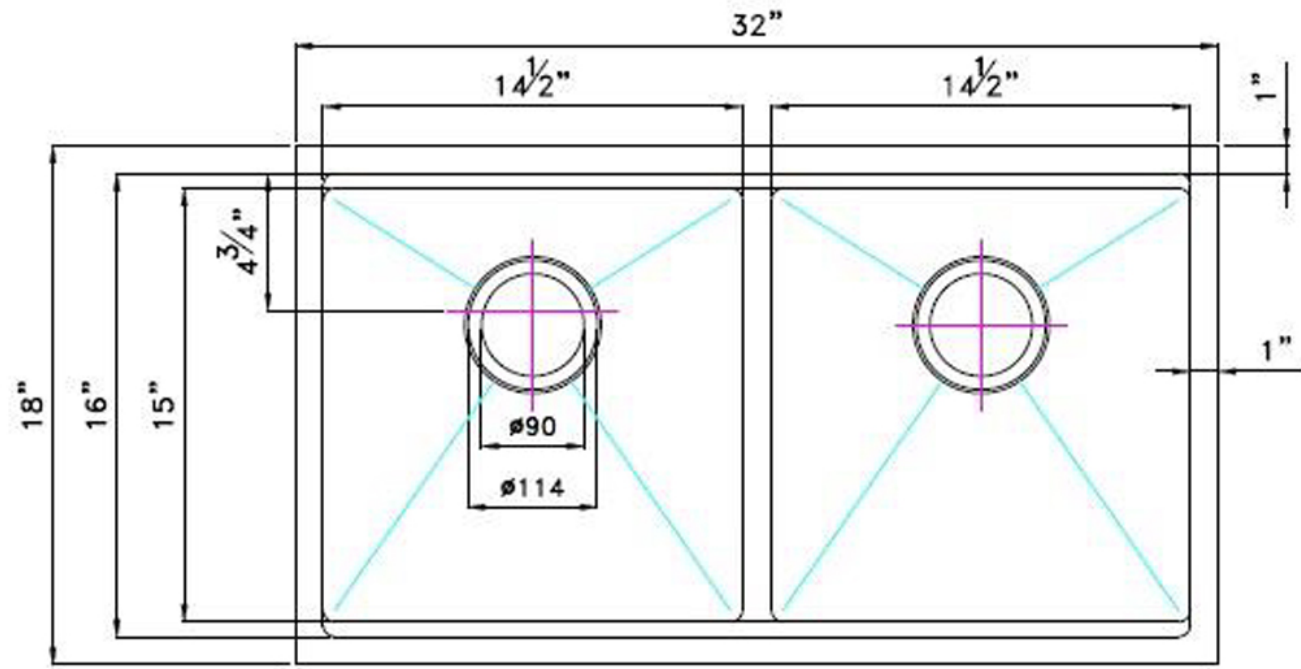
Quality control approved in Canada. Each box on your order is physically opened-up and inspected to make sure only the highest quality product is shipped. We take and store photos of every single quality audit of every single order we ship. You can see them when you track your order on our website. This product is not a group of multiple products but a unique SKU. It features a rectangle shape. This kitchen sink is designed to be installed as a undermount kitchen sink. It is constructed with stainless steel. This kitchen sink comes with a stainless steel finish in Stainless Steel color. This transitional kitchen sink product is CSA certified. It is designed for a deck mount faucet.

Feature(s):

- THIS PRODUCT INCLUDE(S): 1x kitchen sink in stainless steel color (29286).
- This kitchen sink features a rectangle shape with a transitional style.
- This product is made for undermount installation.
- DIY installation instructions are included in the box.
- This kitchen sink is designed for a deck mount faucet and the faucet drilling location is on the deck mount.
- This kitchen sink features 2 sinks.
- This kitchen sink is made with stainless steel.
- CSA certified.
- Most city inspectors require the use of certified products to get approval.
- The primary color of this product is stainless steel and it comes with stainless steel hardware.
- Sink cut-out included in the box.
- It is highly recommended that you wait for the sink to physically arrive before proceeding with any cut-outs.
- 32-in. Width (left to right).
- 18-in. Depth (back to front).
- 10-in. Height (top to bottom).
- All dimensions are nominal.
- This product can usually be shipped out in 1 day.
- Quality control approved in Canada.
- Each box on your order is physically opened-up and inspected to make sure only the highest quality product is shipped.
- We take and store photos of every single quality audit of every single order we ship.
- You can see them when you track your order on our website.

Product ID:	29286
Product Type:	Kitchen Sink
Shape:	Rectangle
Install Type:	Undermount
Faucet Drilling:	Deck Mount
Faucet Drilling Location:	Deck Mount
Num Of Sinks:	2
Body Type:	Handmade Sink
Includes Faucets:	No
Includes Drains:	Yes
Bowl Corner Radius:	10mm
Width Group:	30-in. - 39-in.
Gauge:	16
Material:	Stainless Steel
Certification:	CSA
Style:	Transitional
Finish:	Stainless Steel
Hardware Color:	Stainless Steel
Color:	Stainless Steel
Recommended Ship Method:	SP





32"



18"

16"

18"

14-1/2"

14-1/2"

