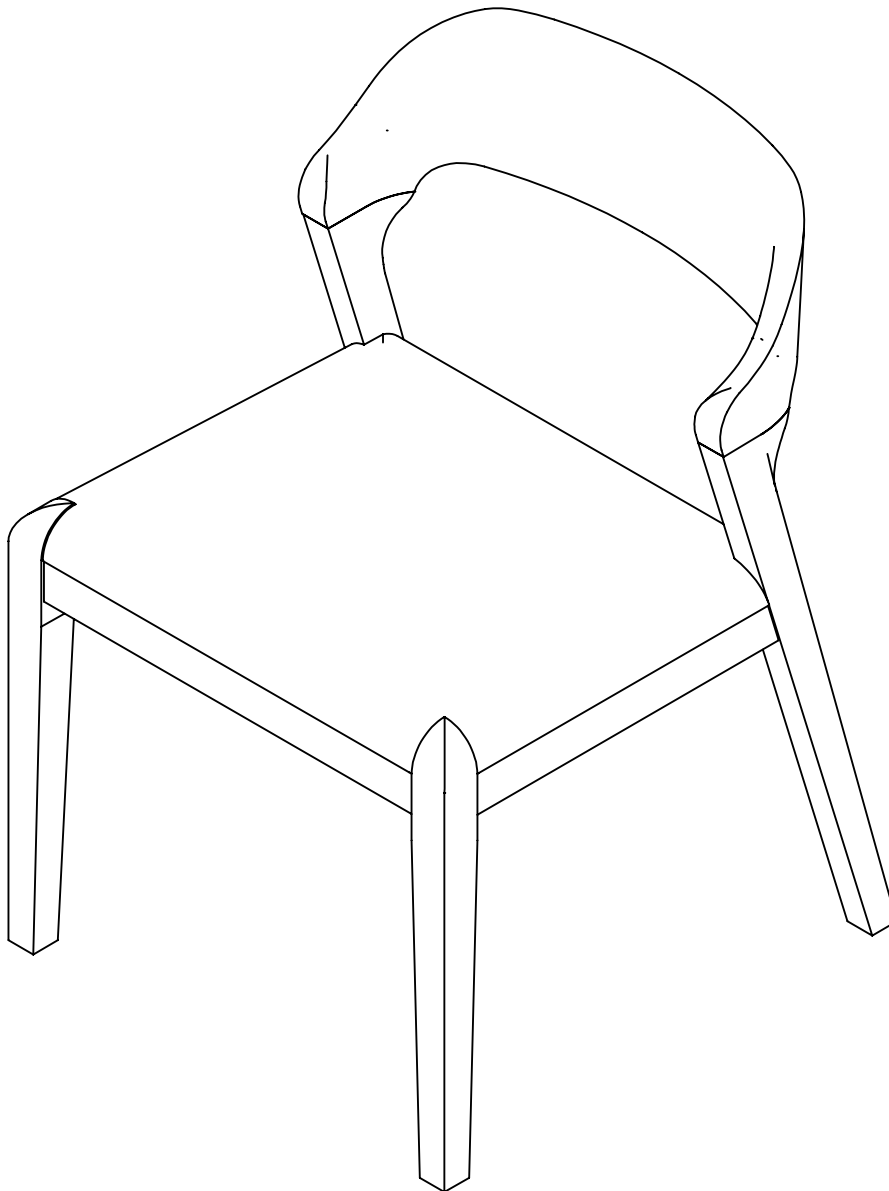




Boraam Industries

**RASMUS DINING CHAIR
ASSEMBLY INSTRUCTIONS**





PLEASE READ ME FIRST



- Have questions about assembling your item?



- Item or parts damaged?



- Missing a part?



- We're here to help!



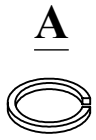
(847)949-6300 (M-F, 9am-5pm CST)



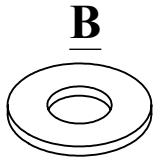
www.boraamindustries.com



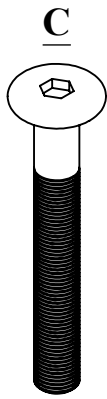
customerservice@boraamindustries.com



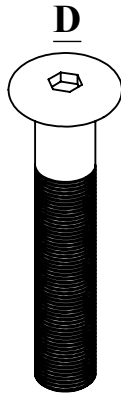
9PCS



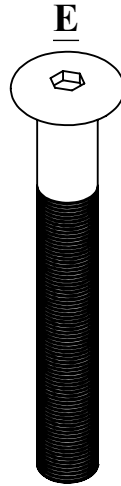
9PCS



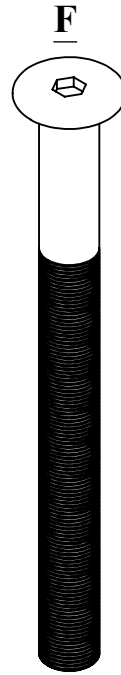
2PCS



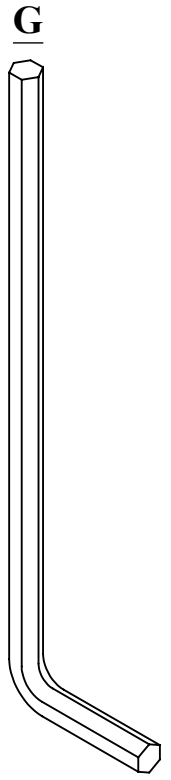
3PCS



4PCS

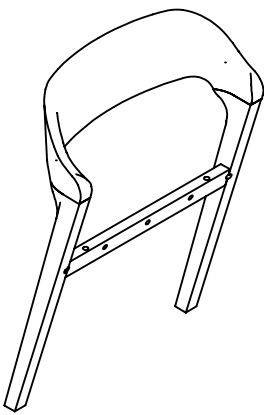


2PCS

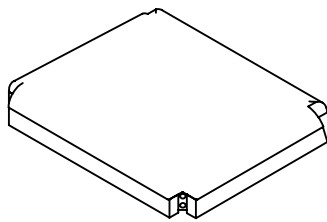


1PC

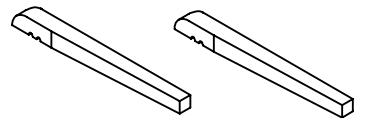
1



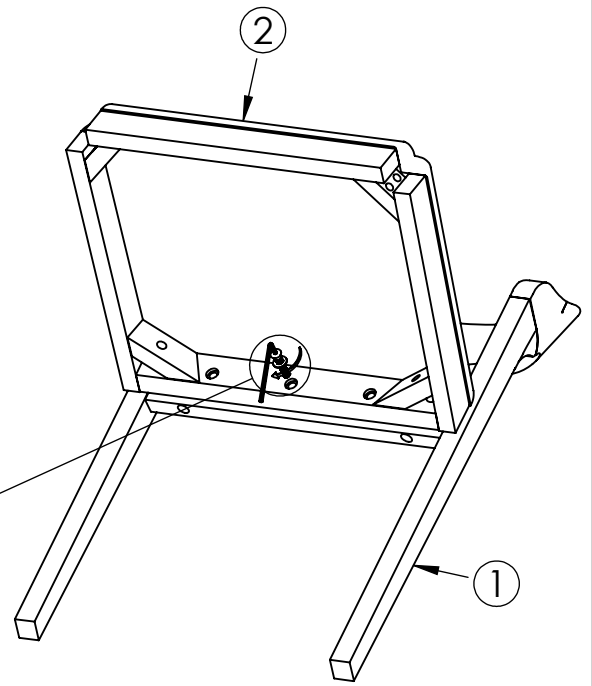
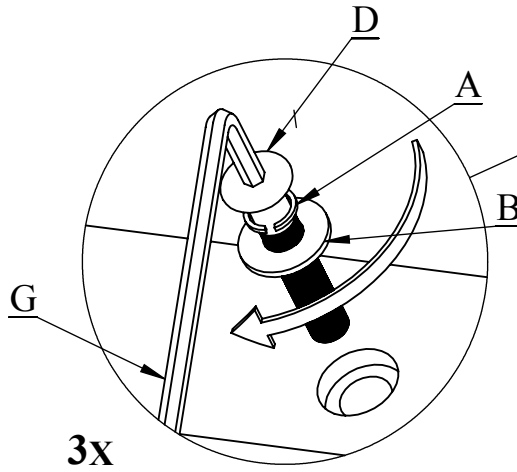
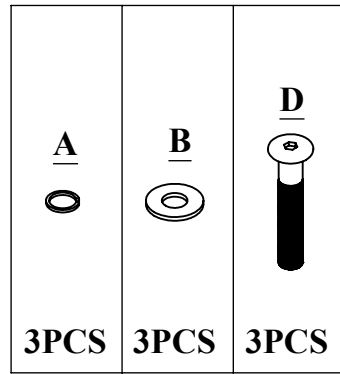
2



3

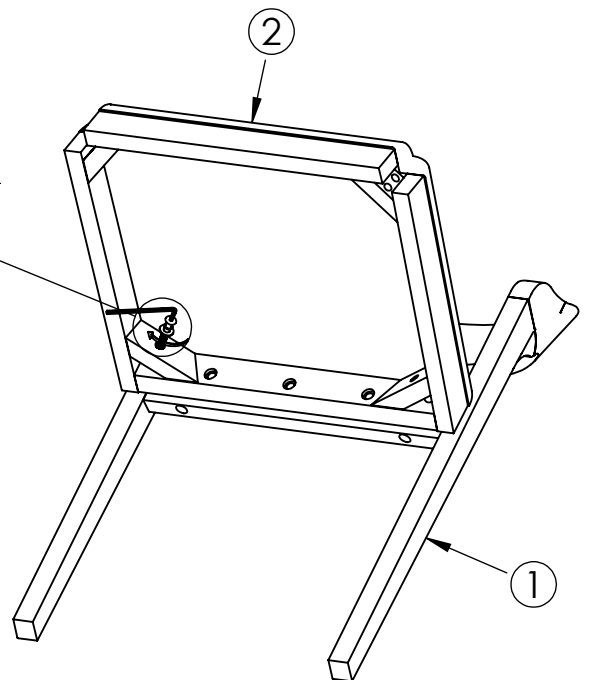
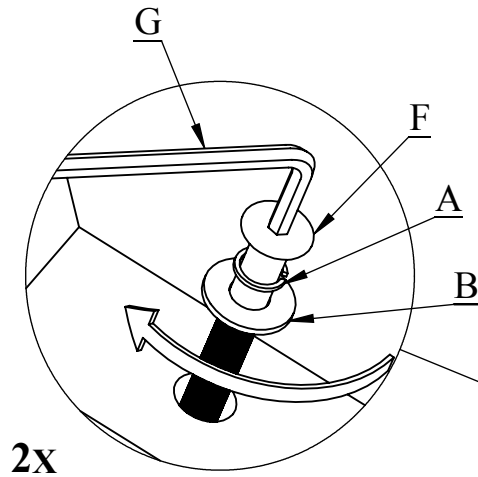
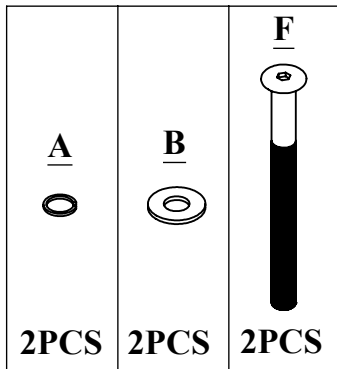


01



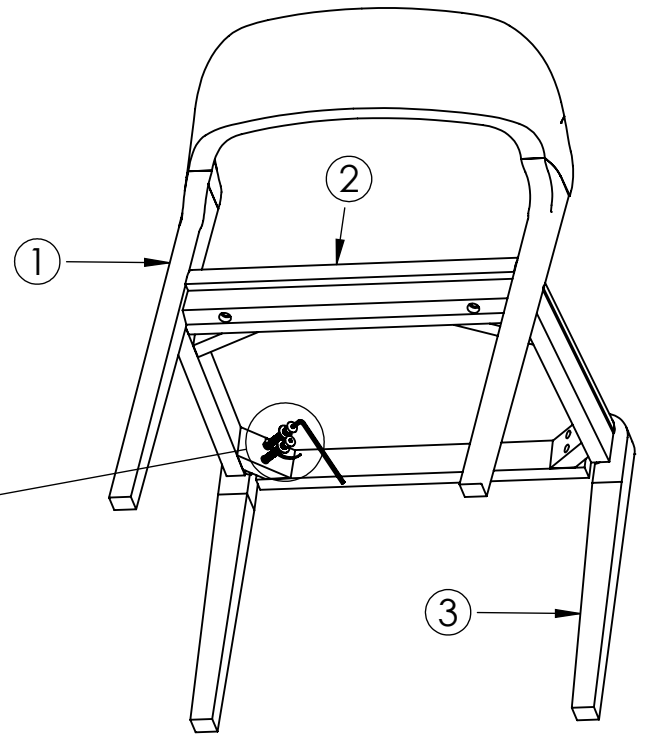
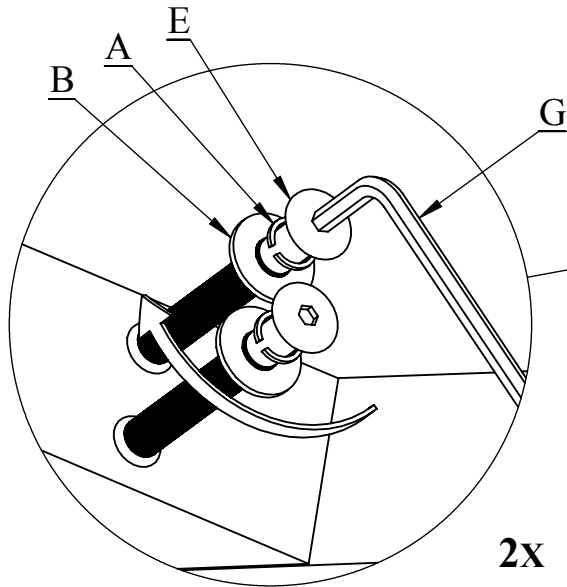
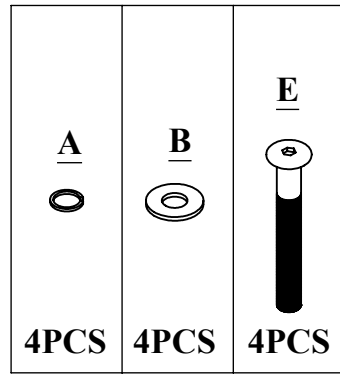
DO NOT TIGHTEN BOLT COMPLETELY

02



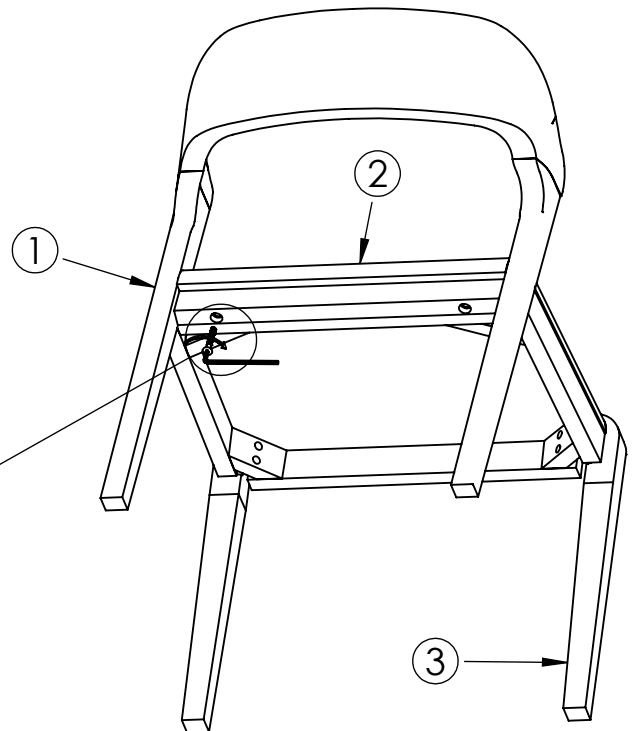
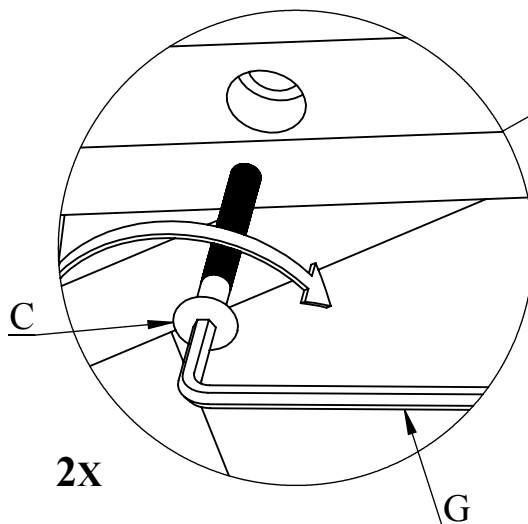
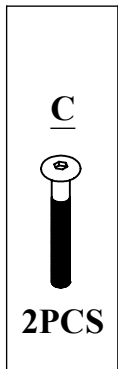
DO NOT TIGHTEN BOLT COMPLETELY

03

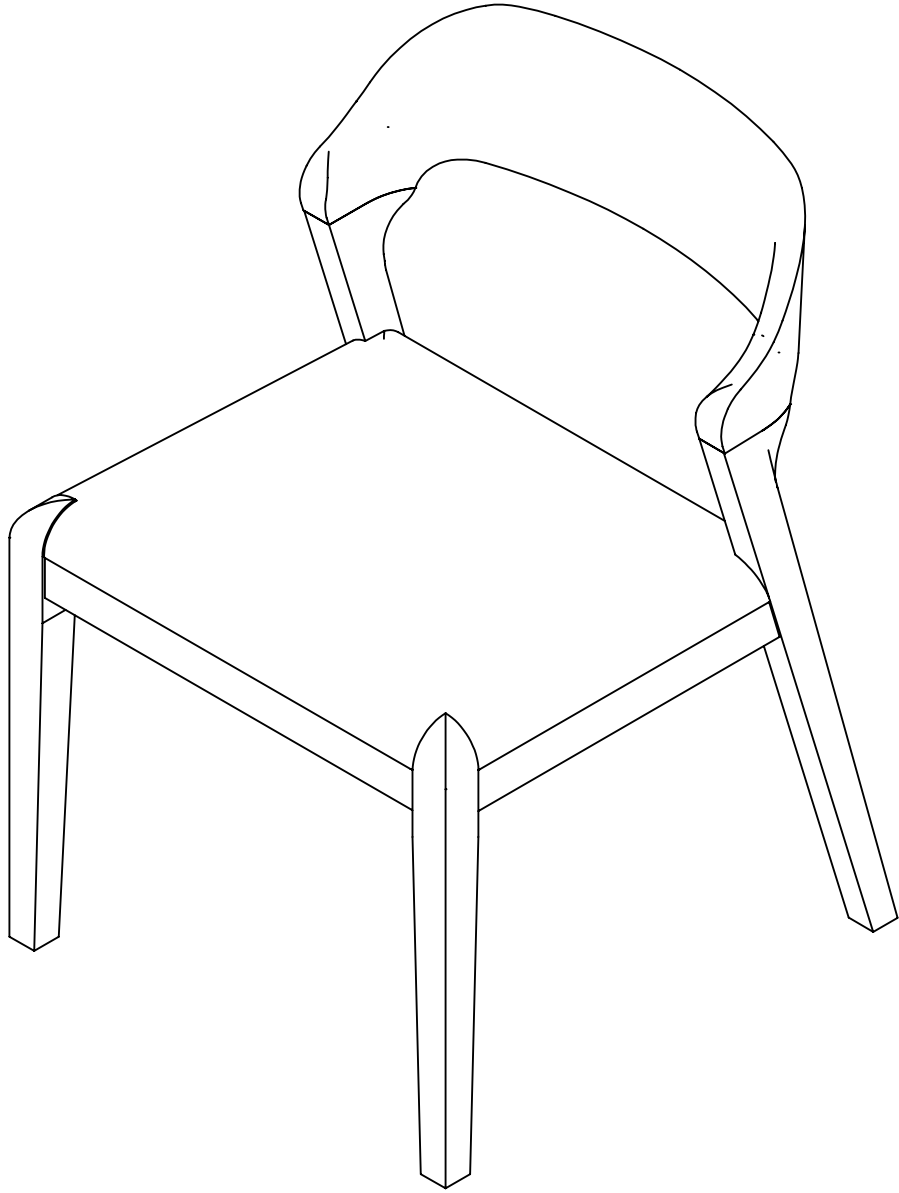


DO NOT TIGHTEN BOLT COMPLETELY

04



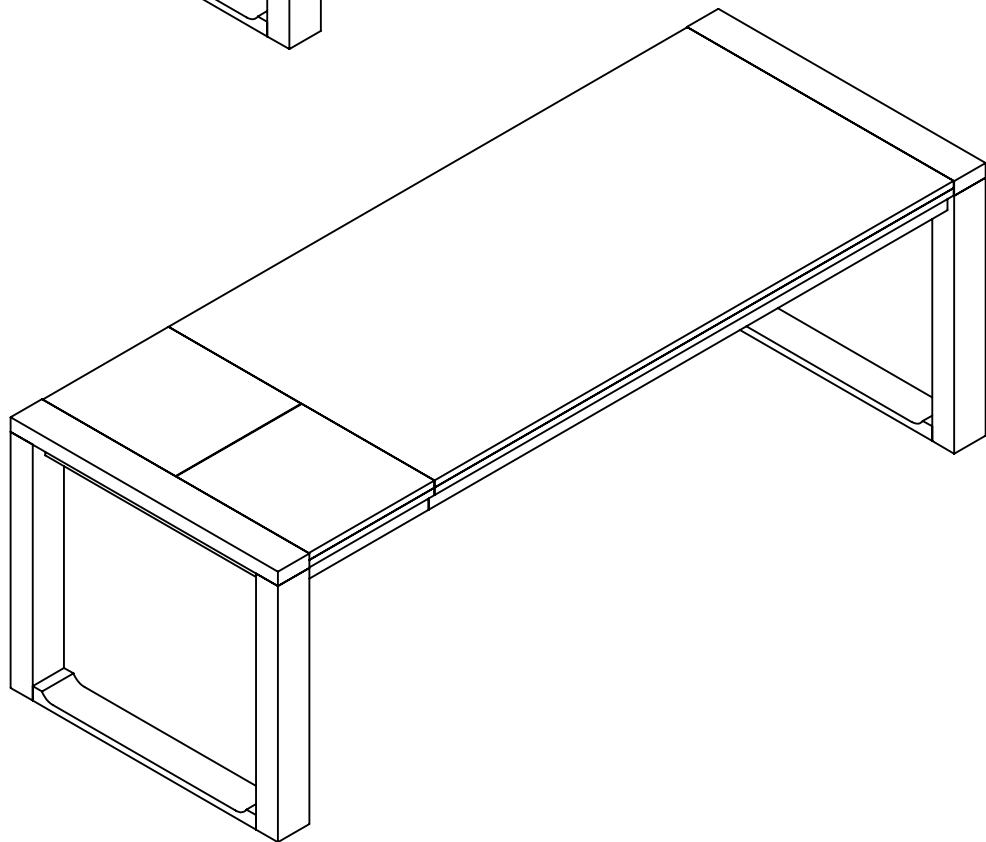
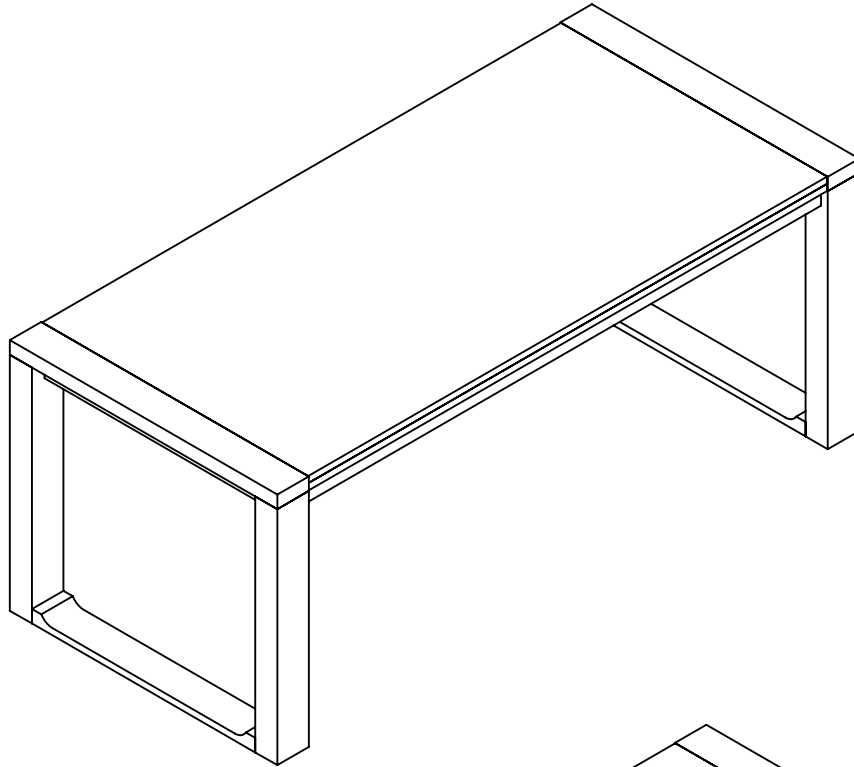
DO NOT TIGHTEN BOLT COMPLETELY



**BE SURE TO CHECK ALL BOLTS SECURELY
TIGHTENED PRIOR USING THIS CHAIR**



Boraam Industries
RASMUS EXTENSION DINING TABLE
ASSEMBLY INSTRUCTIONS





PLEASE READ ME FIRST



- Have questions about assembling your item?



- Item or parts damaged?



- Missing a part?



- We're here to help!



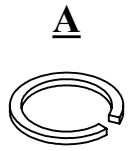
(847)949-6300 (M-F, 9am-5pm CST)



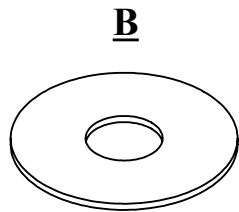
www.boraamindustries.com



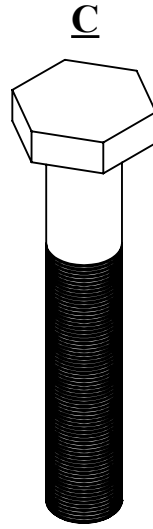
customerservice@boraamindustries.com



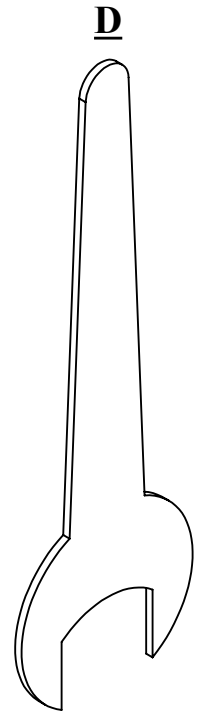
12PCS
M10*10



12PCS
M10*30

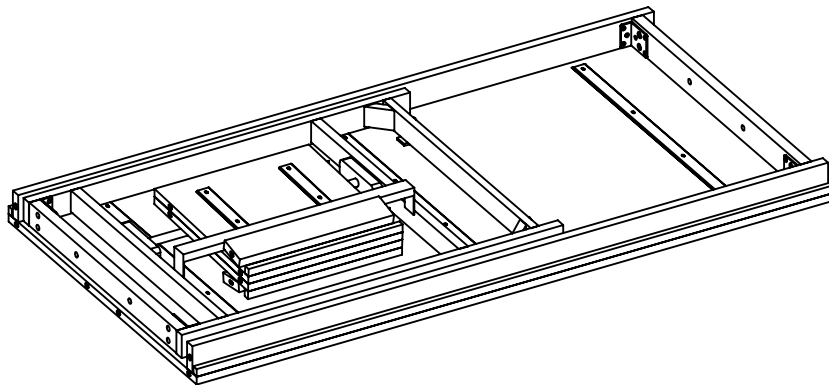


12PCS
M10*60

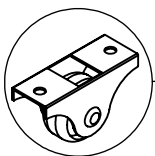
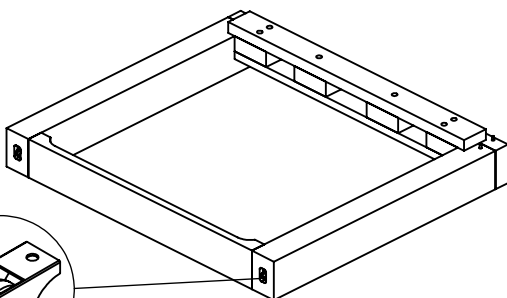


1PC
Allen Wrench
M17*100

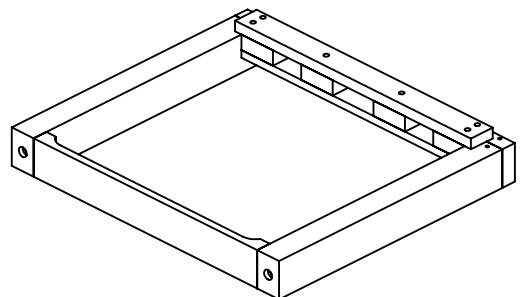
①



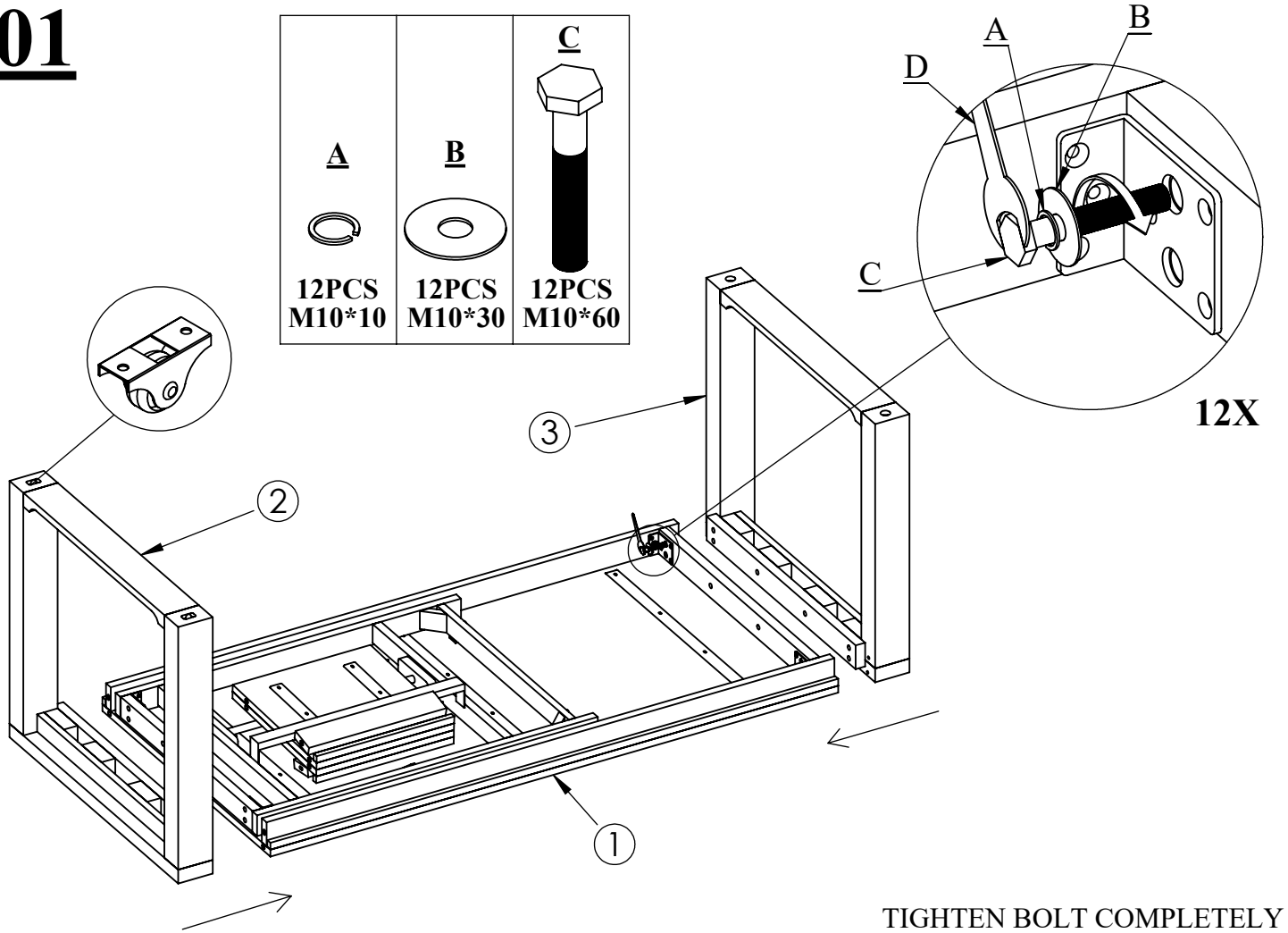
②



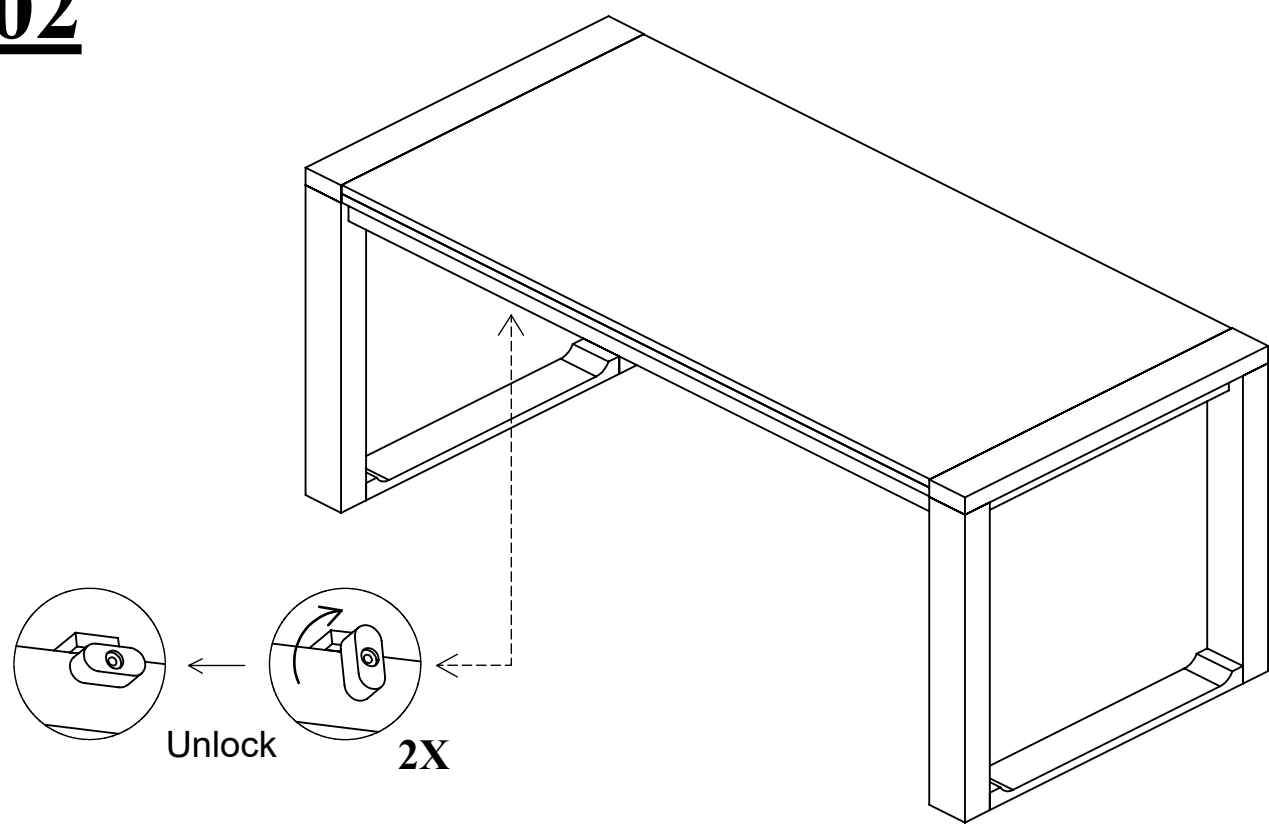
③



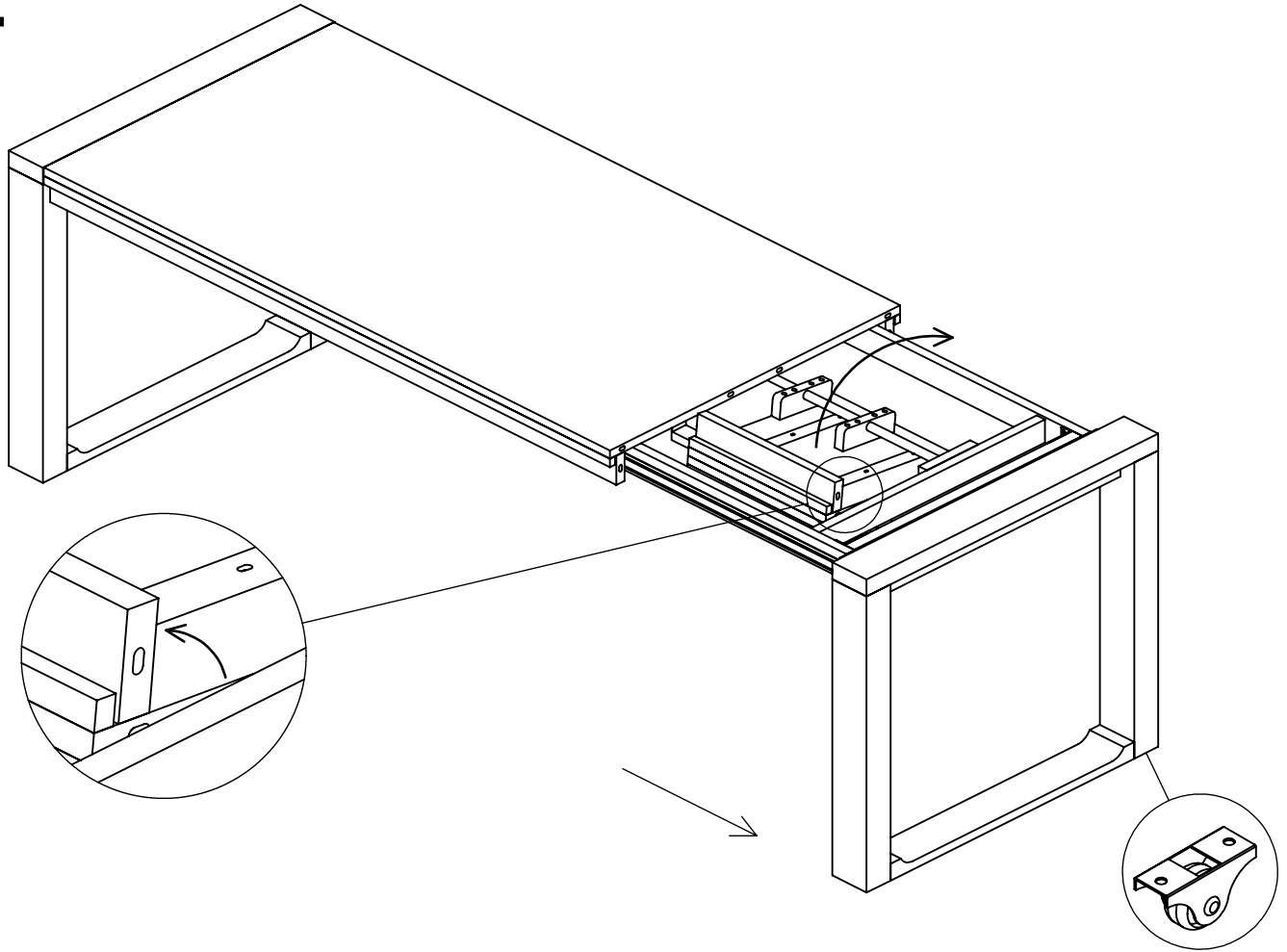
01



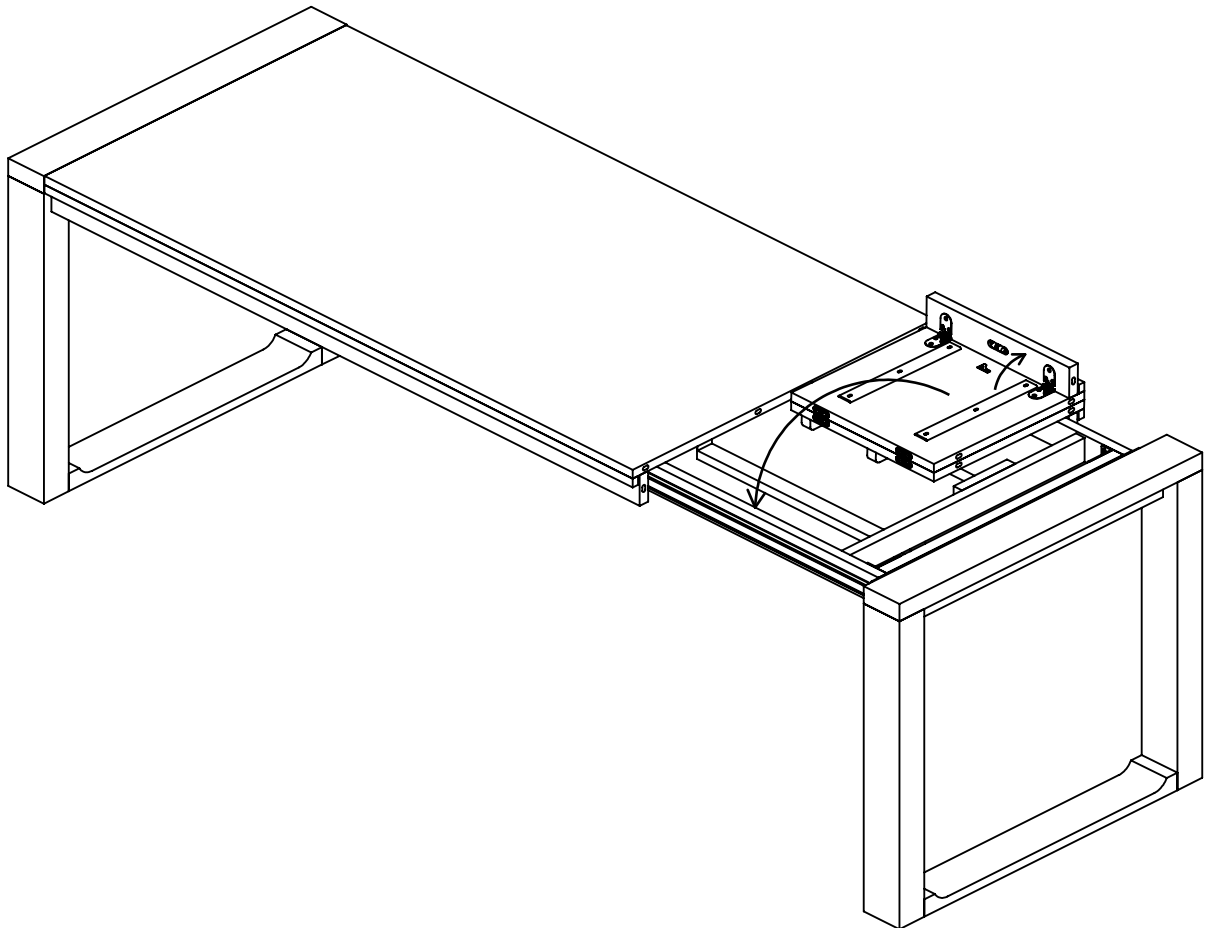
02



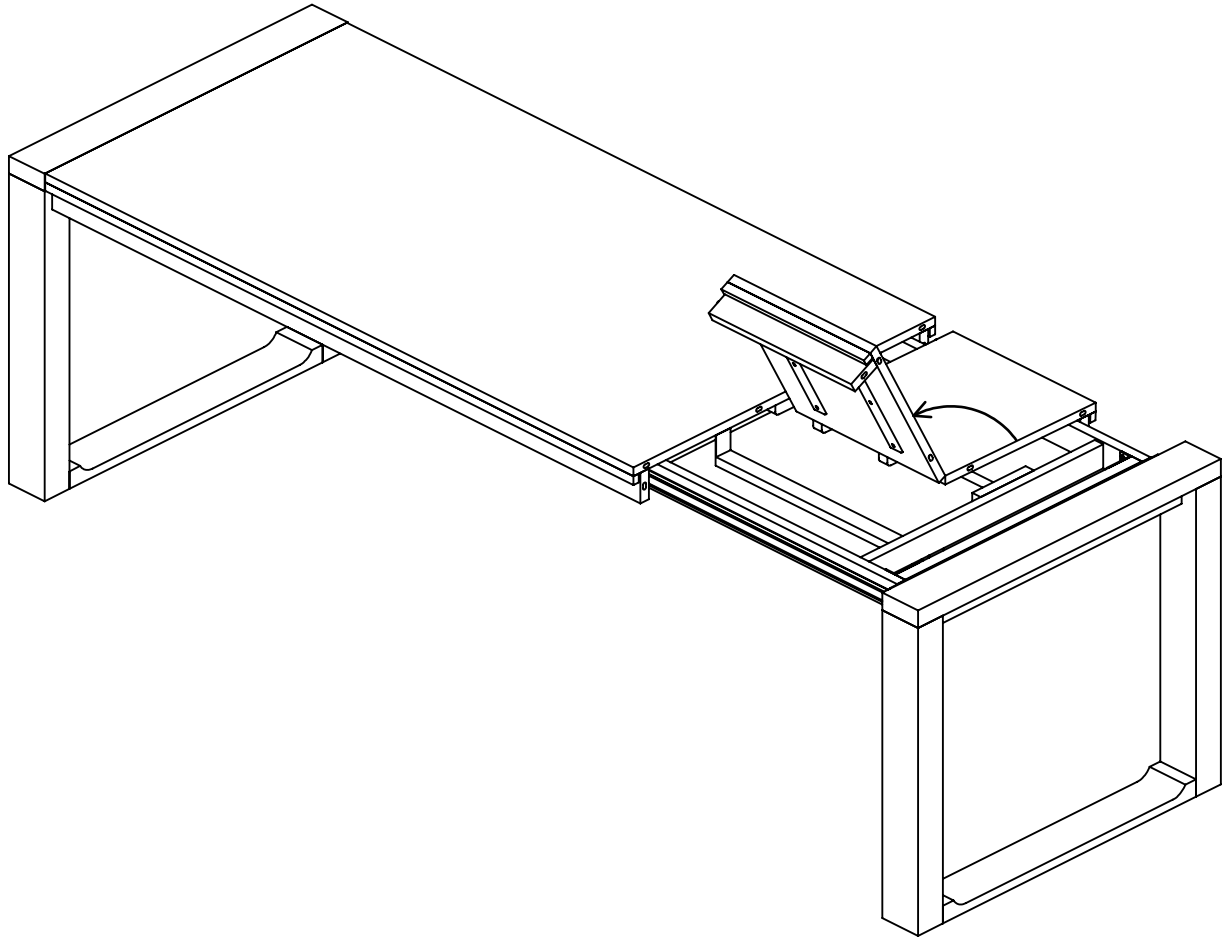
03



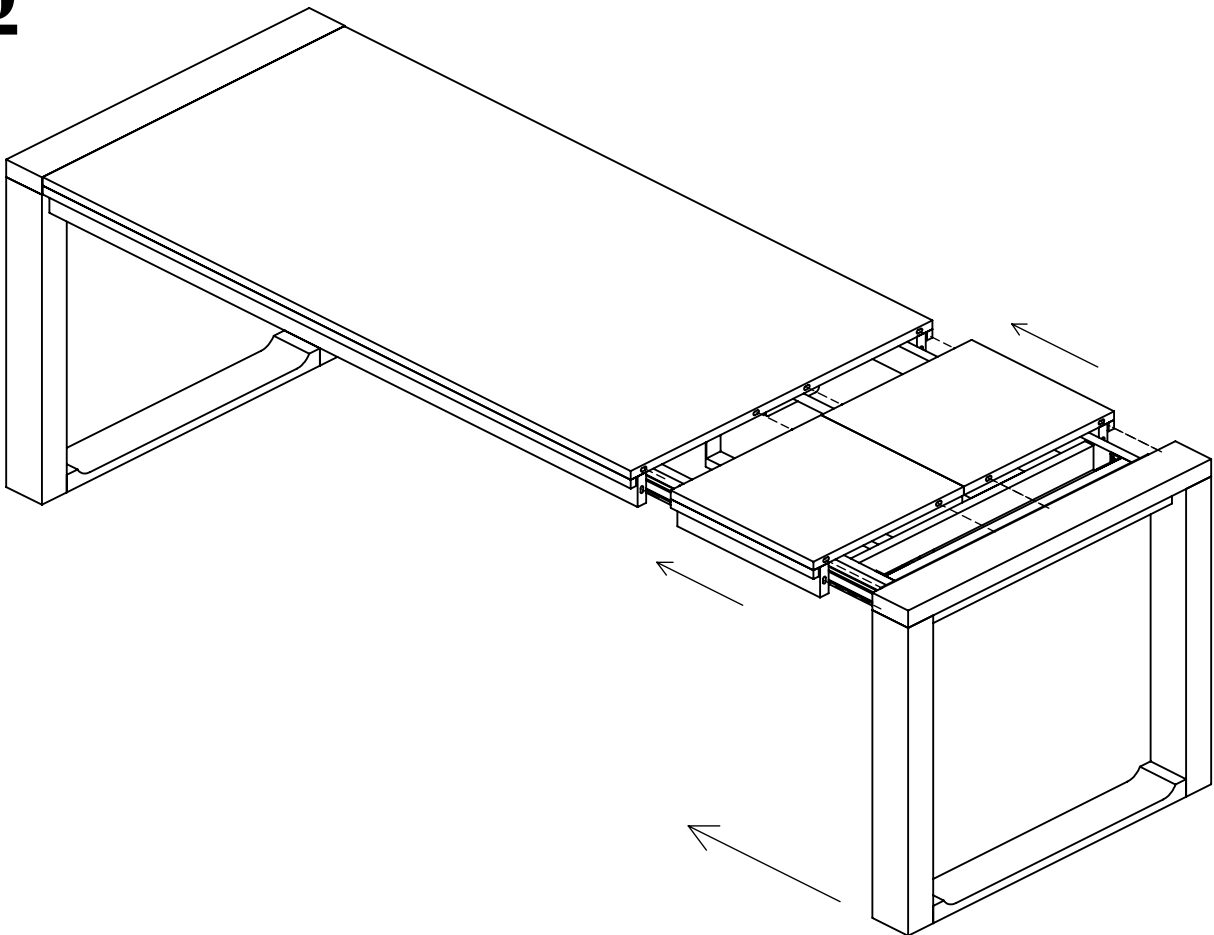
04

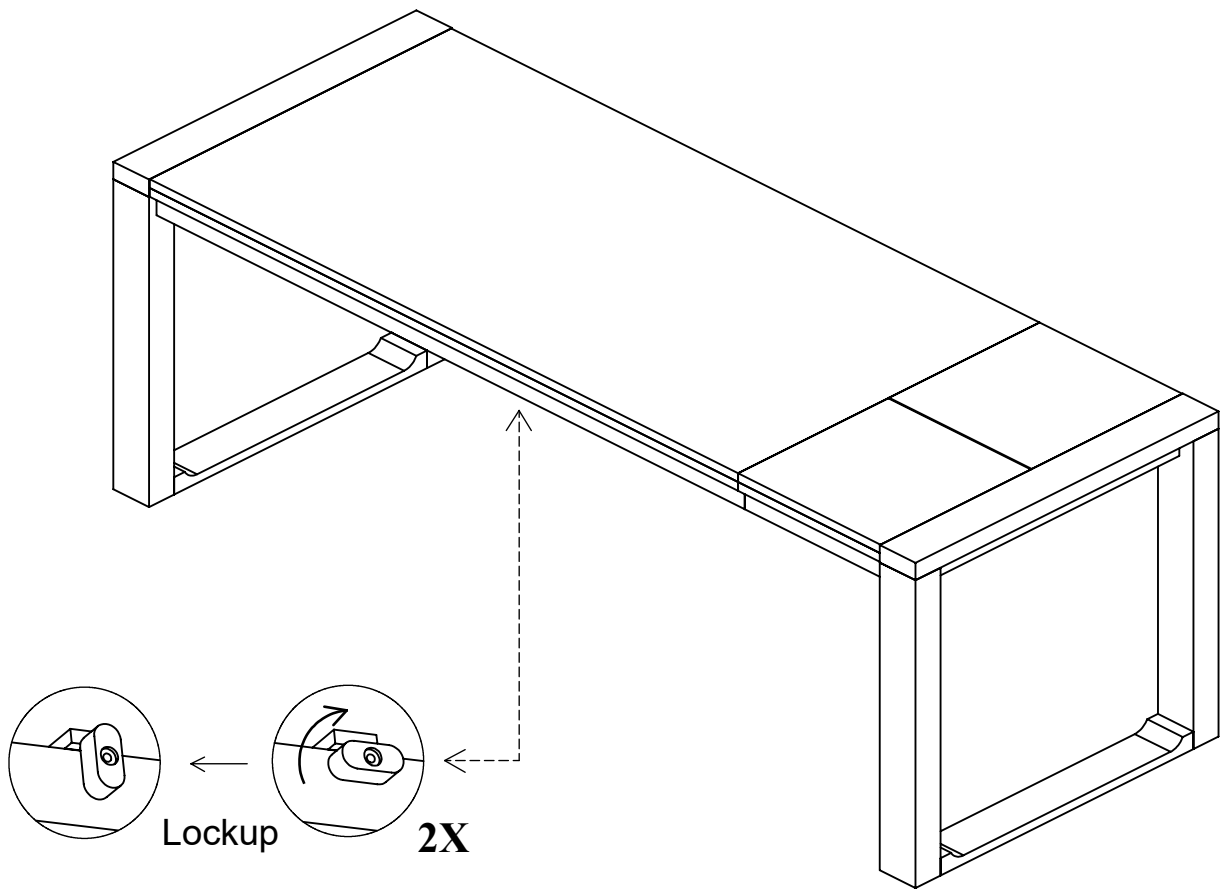


05



06





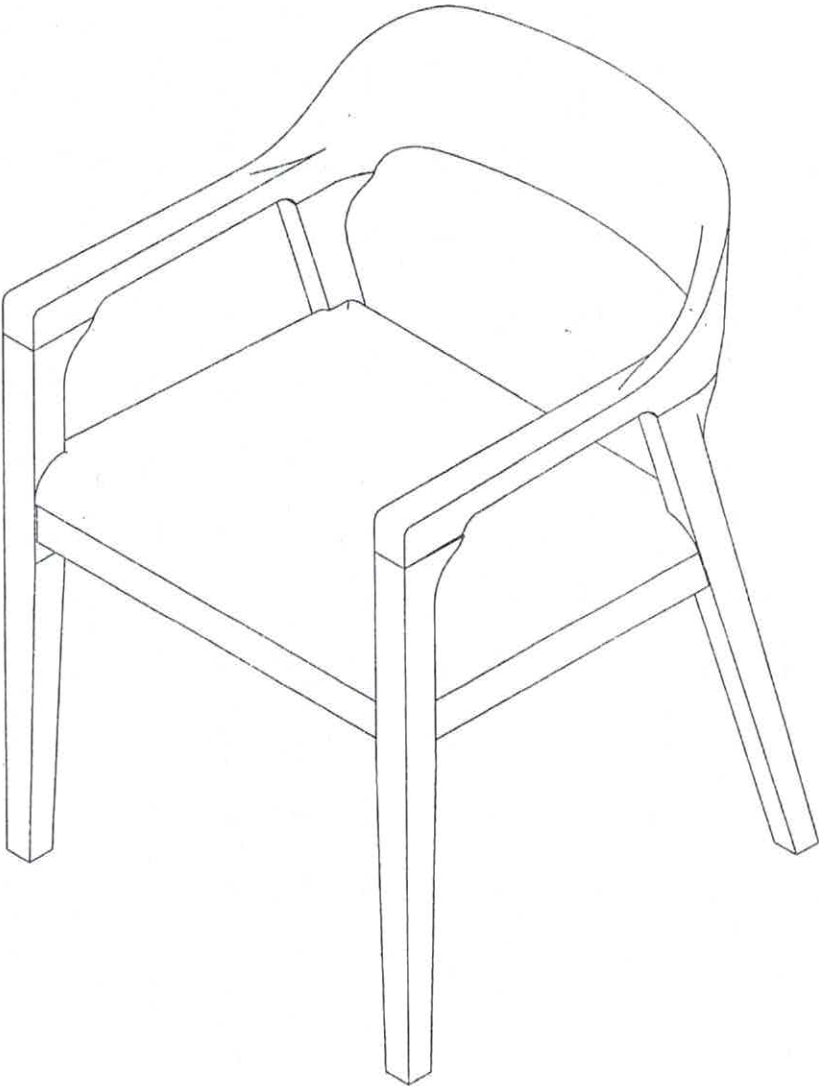
BE SURE TO CHECK ALL BOLTS SECURELY
TIGHTENED PRIOR USING THIS TABLE



Boraam Industries

**RASMUS DINING ARM CHAIR
ASSEMBLY INSTRUCTIONS**

77317





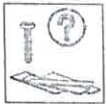
PLEASE READ ME FIRST



- Have questions about assembling your item?



- Item or parts damaged?



- Missing a part?



- We're here to help!



(847)949-6300 (M-F, 9am-5pm CST)



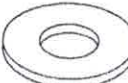
www.boraamindustries.com



customerservice@boraamindustries.com

A

9PCS

B

9PCS

C

2PCS

D

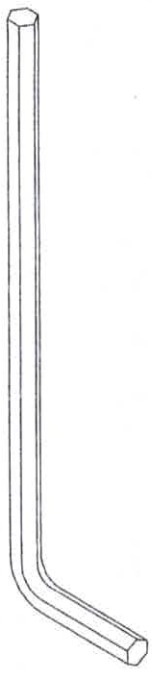
7PCS

E

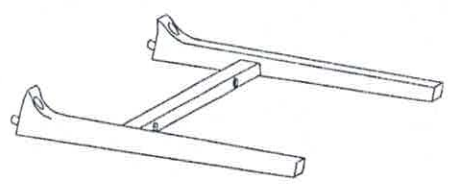
4PCS

F

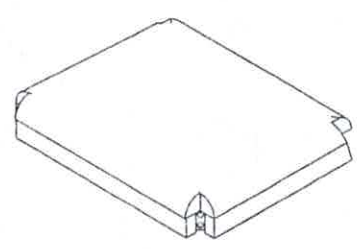
2PCS

G

1PC

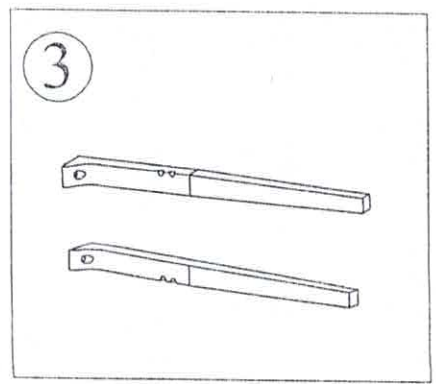
①



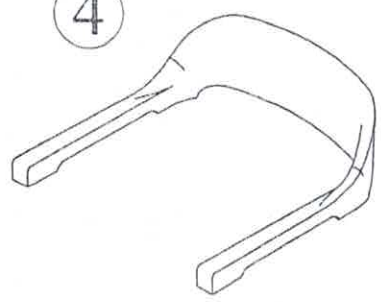
②



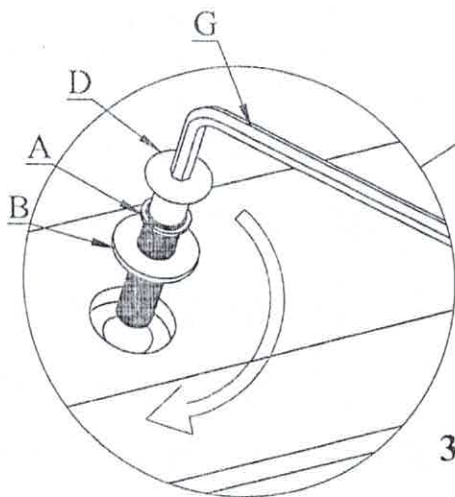
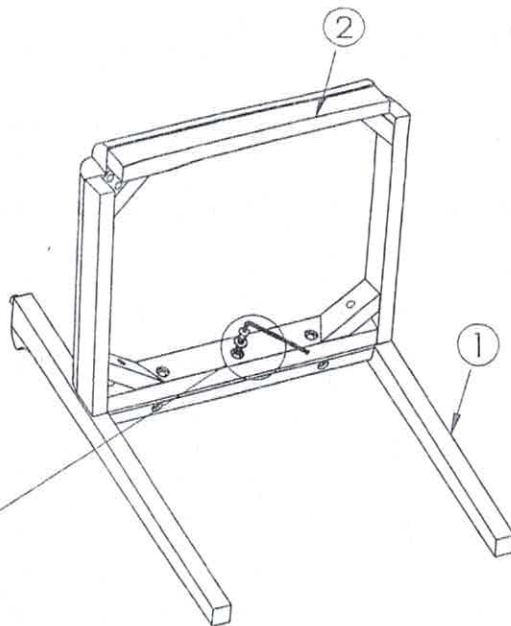
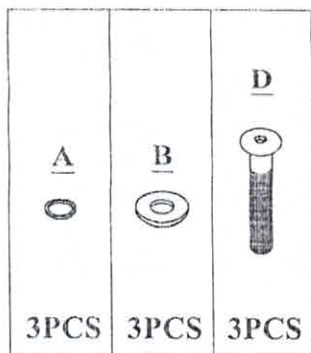
③



④



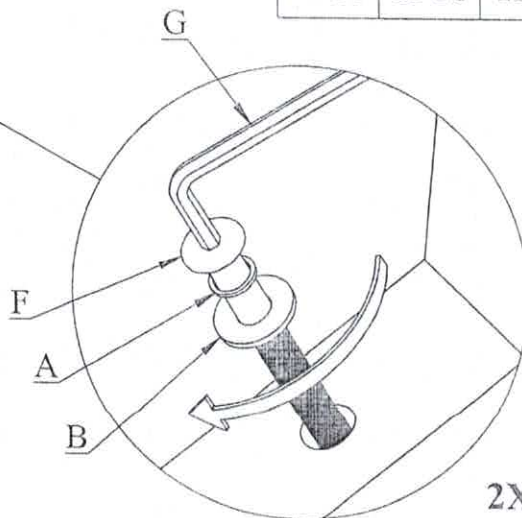
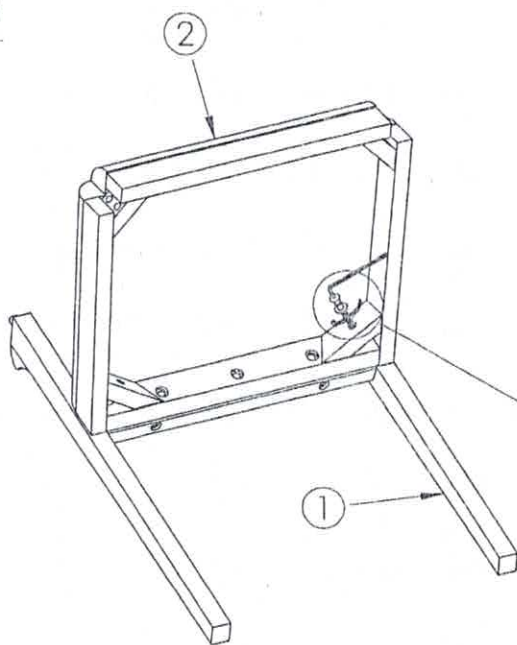
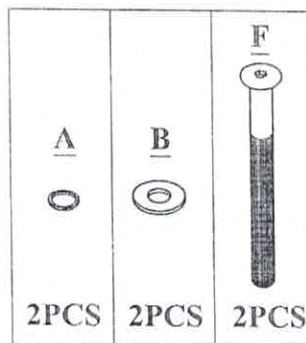
01



3X

DO NOT TIGHTEN BOLT COMPLETELY

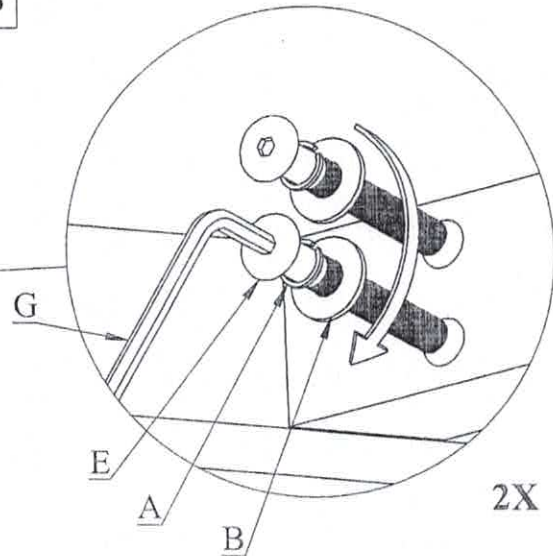
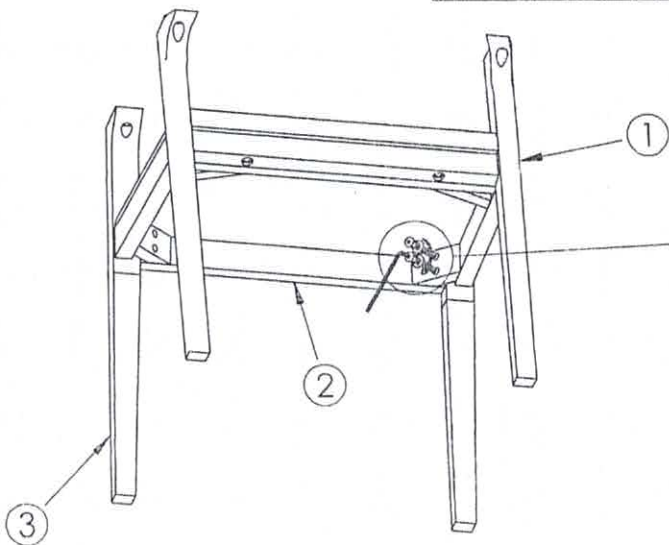
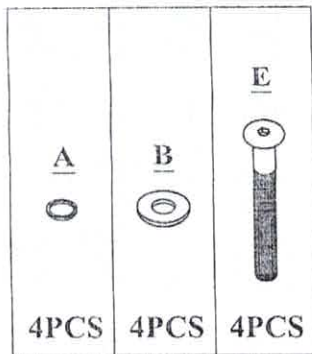
02



2X

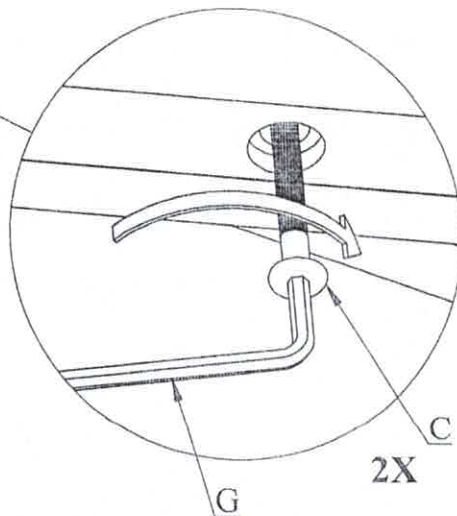
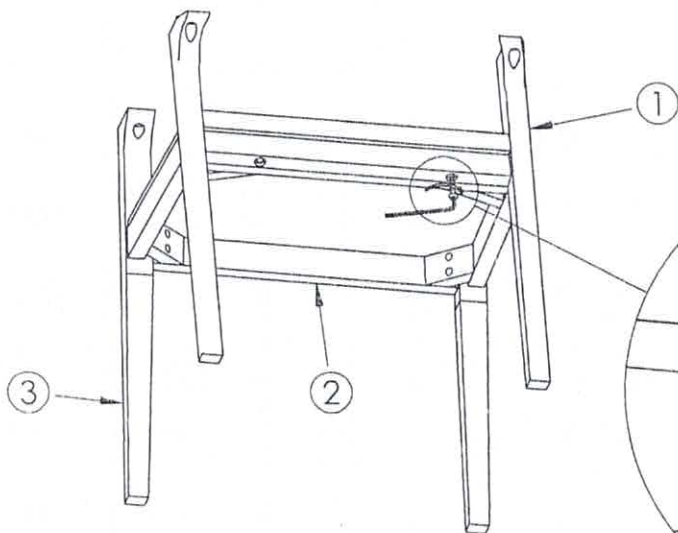
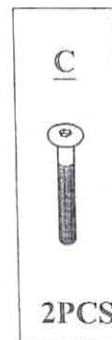
DO NOT TIGHTEN BOLT COMPLETELY

03

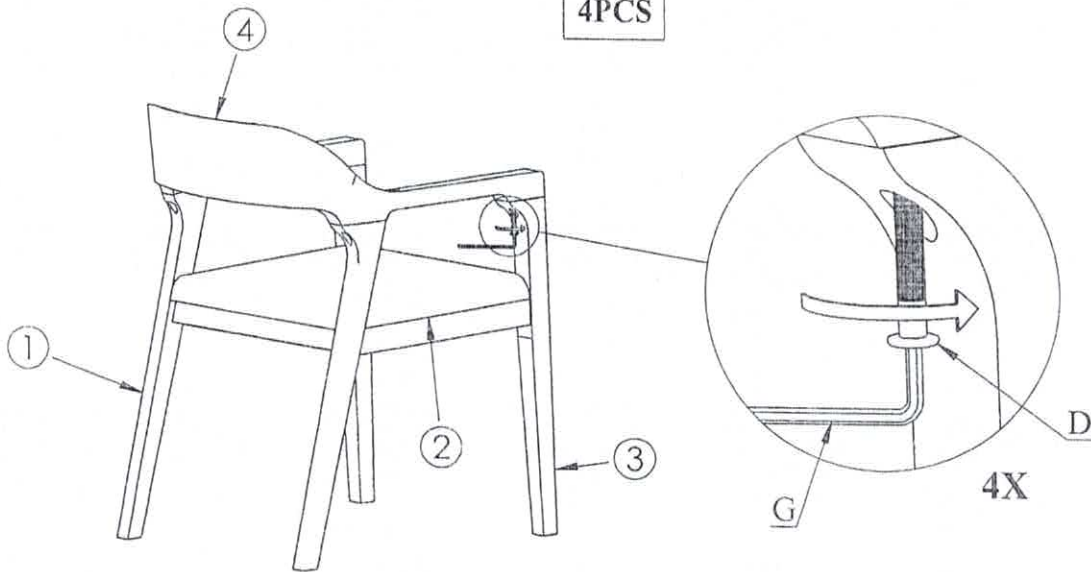
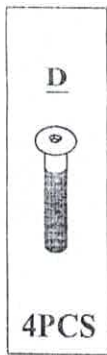


DO NOT TIGHTEN BOLT COMPLETELY

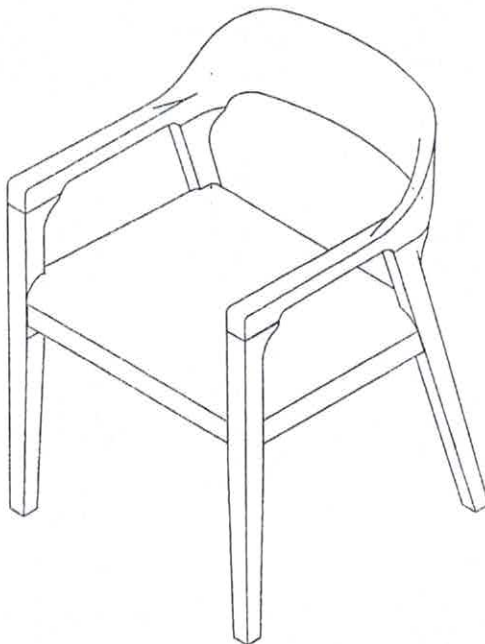
04



DO NOT TIGHTEN BOLT COMPLETELY



DO NOT TIGHTEN BOLT COMPLETELY

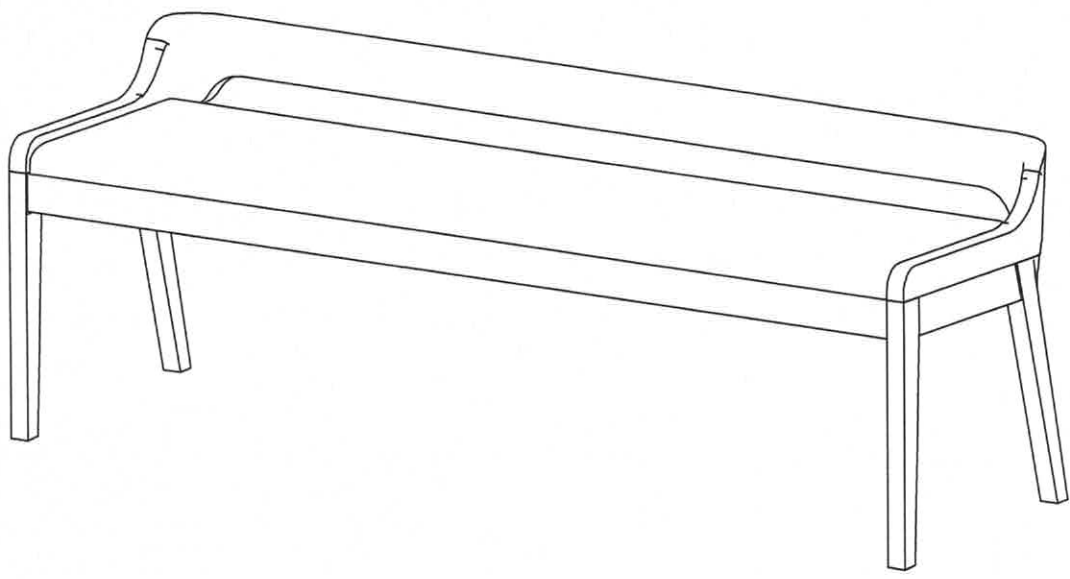


BE SURE TO CHECK ALL BOLTS SECURELY
TIGHTENED PRIOR USING THIS CHAIR

77315

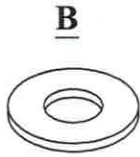


Boraam Industries
RASMUS DINING BENCH
ASSEMBLY INSTRUCTIONS





8PCS



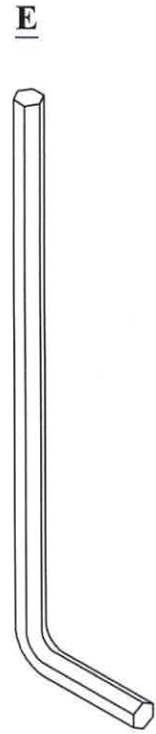
8PCS



8PCS

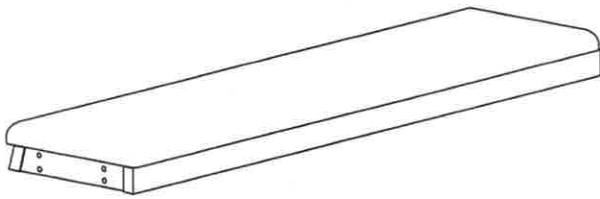


6PCS

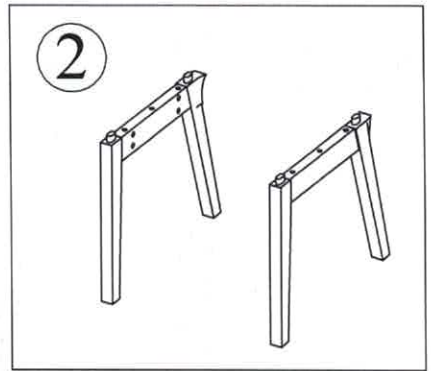


1PC

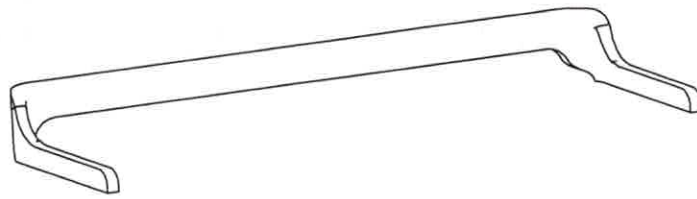
①



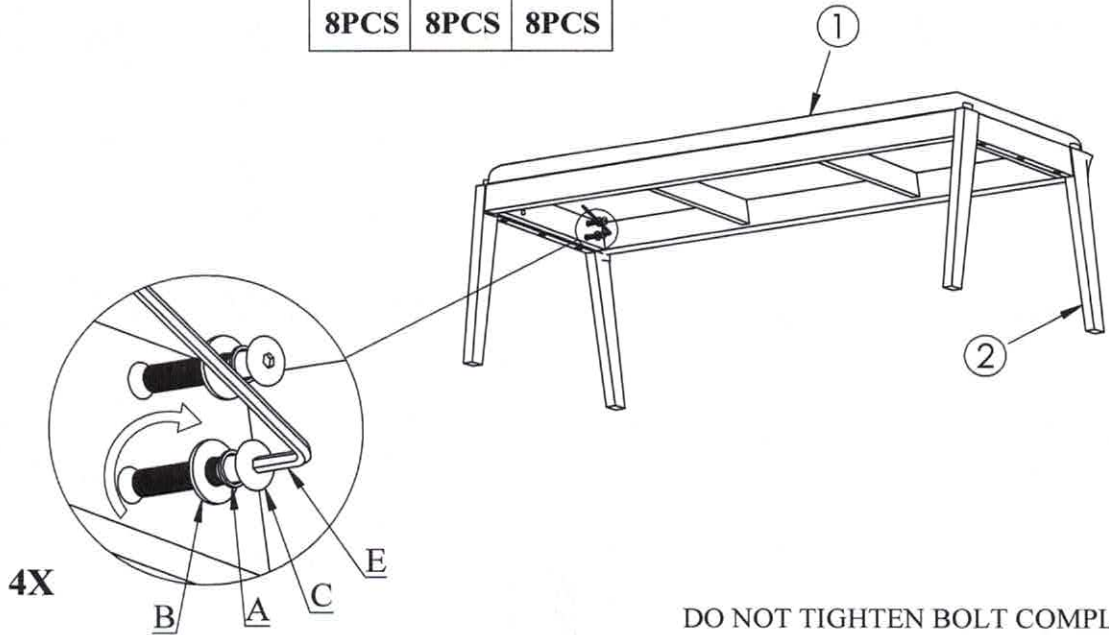
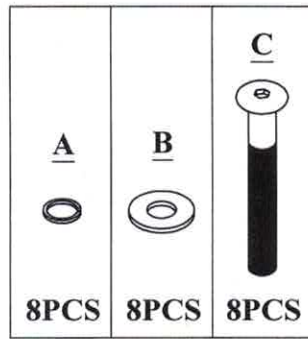
②



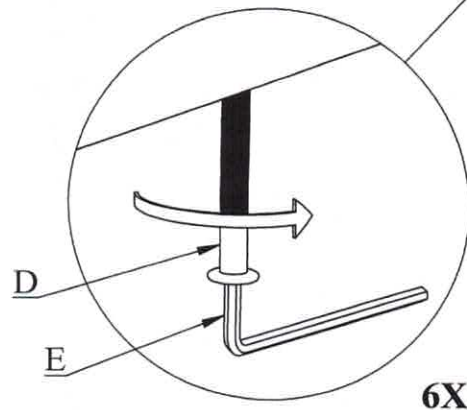
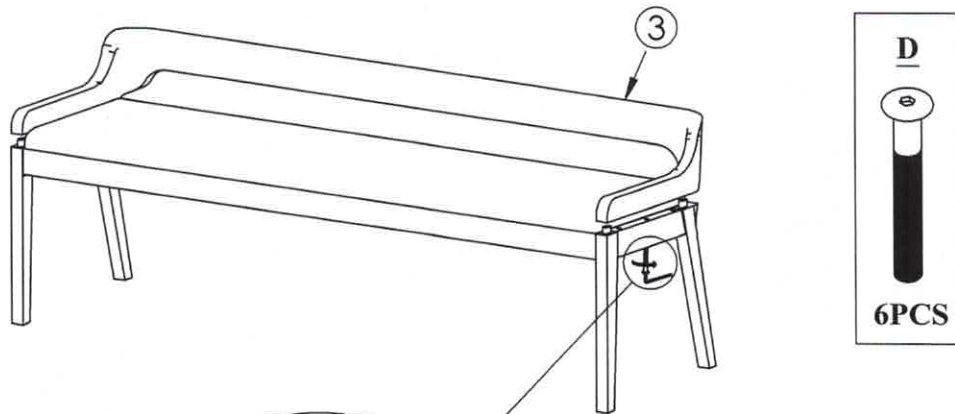
③



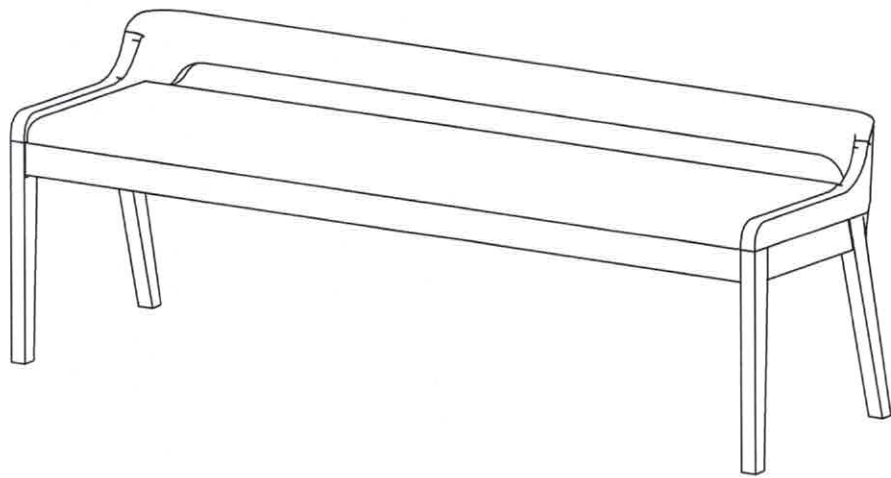
01



02



DO NOT TIGHTEN BOLT COMPLETELY



BE SURE TO CHECK ALL BOLTS SECURELY
TIGHTENED PRIOR USING THIS BENCH