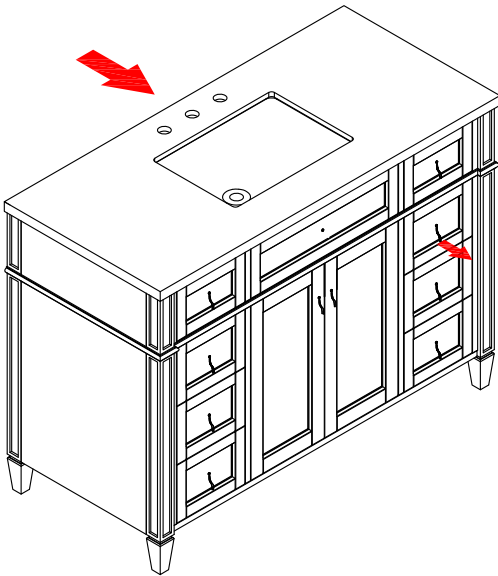


Install Handles

VMIA4824105

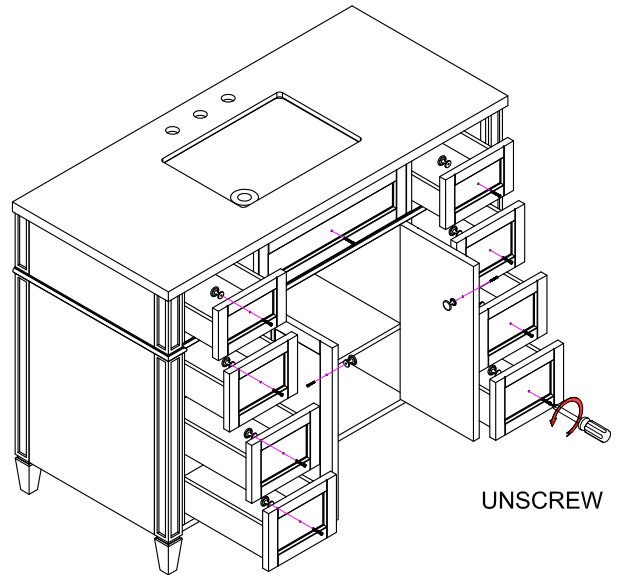
STEP 1



Please first use the rope on the screw to open the drawer, or push down the drawer from the back panel hole to open it.

STEP 2

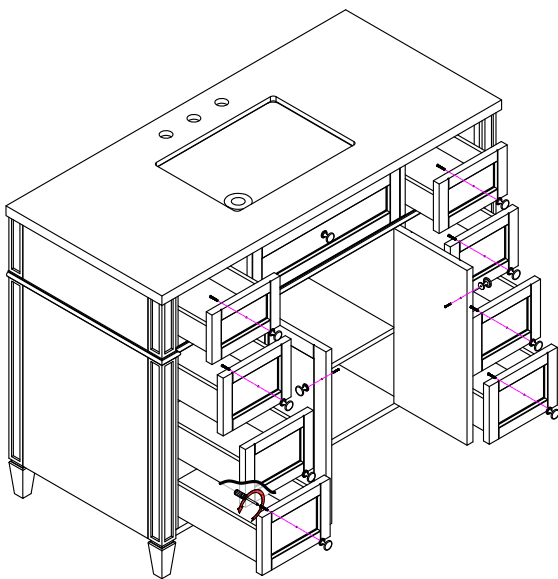
Screw Driver



UNSCREW

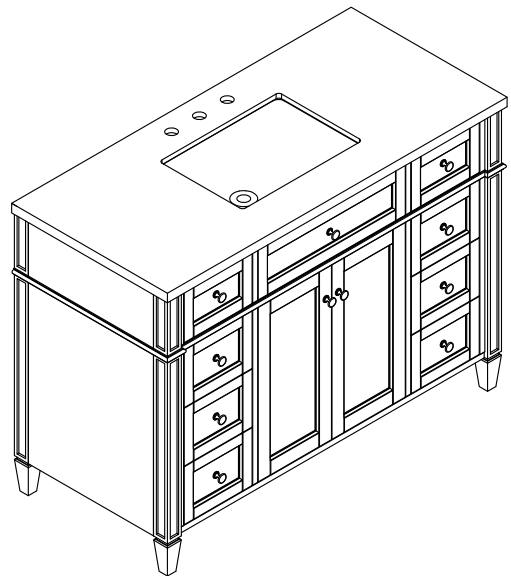
STEP 3

Screw Driver



INSTALL HANDLES

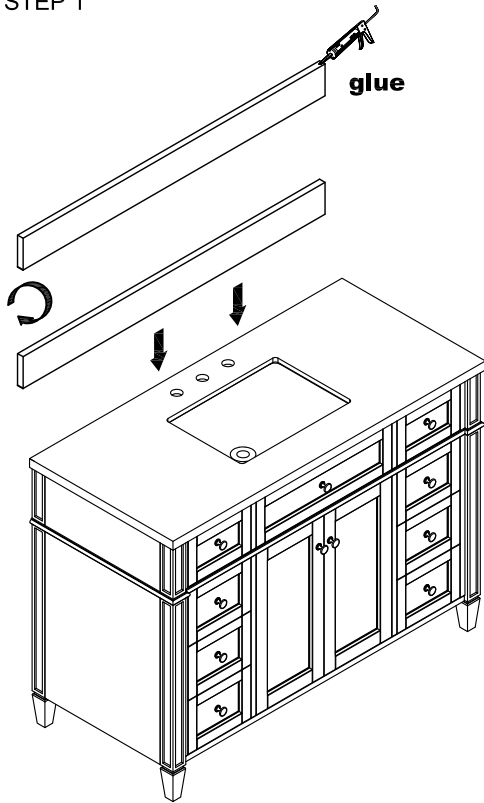
STEP 4



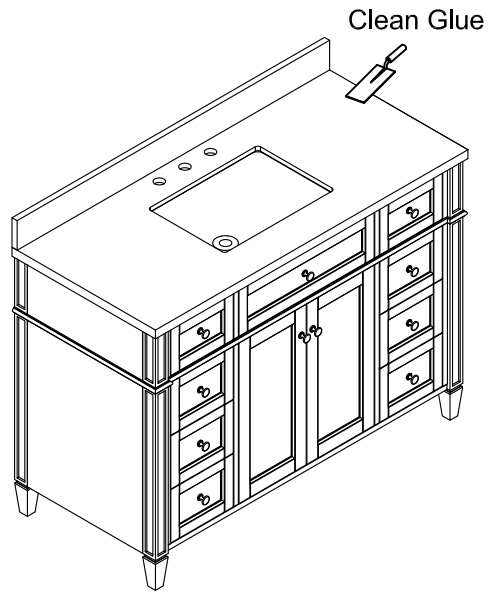
Install Backsplash

VMIA4824105

STEP 1



STEP 2



STEP 3

