

# **Hisense**

USE AND INSTALLATION INSTRUCTIONS  
INSTRUCCIONES DE INSTALACIÓN Y USO

**Model/Modelo:**

**AW-05CR1RUGU10  
AW-06CR1RUFU20**

**AW-06CR1RVFUE20  
AW-08CW1RVFUE20  
AW-08CW1RVFUE21  
AW-10CW1RVFUE20  
AW-08DR1RVFU20  
AW-08DR1RVFU21**

**AW-12CW1RWFUE20  
AW-12CW1RWFUE21  
AW-14CW1RWFUE20**

For questions about features, operation/performance, parts or service,  
call: 1-877-465-3566

Para consultas sobre las características, funcionamiento/rendimiento,  
piezas o servicio, llame al: 1-877-465-3566



---

# TABLE OF CONTENTS

AIR CONDITIONER SAFETY	2
INSTALLATION REQUIREMENTS	3
Electrical Requirements	3
Tools and Parts	4
Unpack the Air Conditioner	4
Location Requirements	5
INSTALLATION INSTRUCTIONS	6
Prepare Air Conditioner for Installation	6
Window Air Conditioner Installation	6
Complete Installation	8
AIR CONDITIONER USE	8
Starting Your Air Conditioner	9
Using the Remote Control	10
Changing Air Direction	11
Exhaust Air Vent	11
Normal Sounds	12
AIR CONDITIONER CARE	12
Cleaning the Air Filter	12
Cleaning the Front Panel	12
Repairing Paint Damage	12
Annual Maintenance	12
REMOVING AC FROM WINDOW	12
TROUBLESHOOTING	13

---

# AIR CONDITIONER SAFETY

## You safety and the safety of others are very important.

We have provided many important safety messages in this manual and on your appliance. Always read and obey all safety messages.



This is the safety alert symbol.

This symbol alerts you to potential hazards that can kill or hurt you and others.

All safety messages will follow the safety alert symbol and either the word "DANGER" or "WARNING".

These words mean:

 **DANGER**

You can be killed or seriously injured if you don't immediately follow instructions.

 **WARNING**

You can be killed or seriously injured if you don't follow instructions.

All safety messages will tell you what the potential hazard is, tell you how to reduce the chance of injury, and tell you what can

## IMPORTANT SAFETY INSTRUCTIONS

**WARNING:** To reduce the risk of fire, electrical shock or injury when using your air conditioner, follow these basic precautions:

- Plug into a grounded 3 prong outlet.
- Do not use an extension cord.
- Do not remove ground prong.
- Unplug air conditioner before servicing.
- Do not use an adapter.
- Use two or more people to move and install air conditioner.

## SAVE THESE INSTRUCTIONS

## DISPOSING OF THE UNIT

- Before throwing the device, it is necessary to pull back the battery cells and get rid of them safely for recycling reasons.
- When you need to disposal of the unit consult our dealer. If pipes are removed incorrectly, refrigerant may blow out and come into contact with your skin, causing injury. Releasing refrigerant into the atmosphere also damages the environments.
- please recycle or dispose of the packaging material for product in an environmentally responsible manner.
- Never store or ship the air conditioner upside down or sideways to avoid damage to the compressor .
- This appliance is not intended for use by persons (including children) with reduced physical, sensory or mental capabilities, or lack of experience and knowledge, unless they have been given supervision or instruction concerning use of the appliance by a person responsible for their safety.  
Children should be supervised to ensure that they do not play with the appliance.
- The wiring diagram is shown at nameplate on the air conditioner.



**WARNING**

**Risk of Fire or Explosion. This unit contains flammable refrigerant. Additional safety precautions must be followed.**

- Do not use means to accelerate the defrosting process or to clean, other than those recommended by the manufacturer.
- When handling, installing, and operating the appliance, care should be taken to avoid damage to the refrigerant tubing.
- The appliance shall be stored in a room without continuously operating ignition sources (for example: open flames, an operating gas appliance or an operating electric heater).
- Do not drill holes in the unit.
- Do not pierce or bum refrigerant tubing. Be aware that refrigerants may not contain an odor.
- Maintenance, cleaning, and service should only be performed by technicians properly trained and qualified in the use of flammable refrigerants.
- Keep ventilation openings clear of obstruction.
- Dispose of air conditioner in accordance with Federal and Local Regulations. Flammable refrigerants require special disposal procedures. Contact your local authorities for the environmentally safe disposal of your air conditioner.
- The maximum refrigerant charge amount is shown at nameplate on the air conditioner.
- The appliance shall be stored so as to prevent mechanical damage from occurring.



# INSTALLATION REQUIREMENTS

## Electrical Requirements

### ⚠ WARNING



#### Electrical Shock Hazard

Plug into a grounded 3 prong outlet.

Do not remove ground prong.

Do not use an adapter.

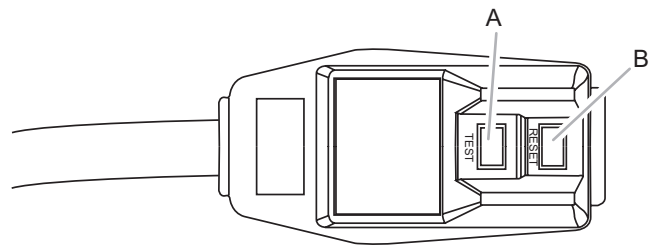
Do not use an extension cord.

Failure to follow these instructions can result in death, fire, or electrical shock.

### Wiring requirement

Power supply	Model	Time-delay fuse (or circuit breaker)
115V 103.5V min. 126.5 V max.	5K BTU DOE 6K BTU DOE	10A
	6K BTU E-star 8K BTU cooling only 10K BTU cooling only	13A
	12K BTU cooling only 14K BTU cooling only 8K BTU cooling&heating	15A

### Power Supply Cord



A. Test button  
B. Reset button

#### NOTE:

Your air conditioner's device may differ from the one shown. This room air conditioner is equipped with a power supply cord required by UL. This power supply cord contains state-of-the-art electronics that sense leakage current. If the cord is crushed, the electronics detect leakage current and power will be disconnected in a fraction of a second.

#### To test your power supply cord:

1. Plug power supply cord into a grounded 3 prong outlet.
2. Press RESET (on some devices, a green light will turn on).
3. Press TEST (listen for click; Reset button will trip, and on some devices, a green light will turn off).
4. Press and release RESET (listen for click; Reset button will latch, and on some devices, a green light will turn on). The power supply cord is ready for operation.

#### NOTE:

- The Reset button must be pushed in for proper operation.
- The power supply cord must be replaced if it fails to trip when the test button is pressed or fails to reset.
- Do not use the power supply cord as an off/on switch. The power supply cord is designed as a protective device.
- A damaged power supply cord must be replaced with a new power supply cord obtained from the product manufacturer and must not be repaired.
- The power supply cord contains no user serviceable parts. Opening the tamper-resistant case voids all warranty and performance claims.

### Recommended Grounding Method

This air conditioner must be grounded. This air conditioner is equipped with a power supply cord with a three-prong grounding plug. The cord must be plugged into a mating, grounded three-prong outlet, grounded in accordance with all local codes and ordinances. If a mating outlet is not available, it is the customer's responsibility to have a properly grounded three-prong outlet installed by a qualified electrical installer.

#### It is the customer's responsibility:

To contact a qualified electrical installer.

To assure that the electrical installation is adequate and conforms to the Nation Electrical Code, ANSI/NFPA 70-last edition, and all local codes and ordinances.

Copies of the standards listed may be obtained from:  
Nation Fire Protection Association  
1 Batterymarch Park  
Quincy, Ma 02169-7471  
www.nfpa.org

## Tools and Parts

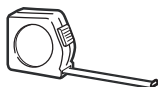
Gather the required tools and parts before starting installation. Read and follow the instructions provided with any tools listed here.

### Tools needed

- Phillips screwdriver



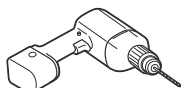
- Tape measure



- Scissors



- Cordless drill and 1/8" bit



- Level

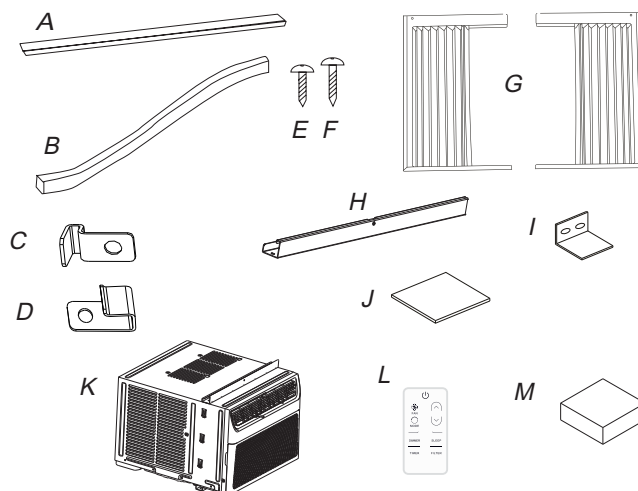


- Pencil



### Parts supplied

Check that all parts are included in parts package.



- |                                       |   |                      |
|---------------------------------------|---|----------------------|
| A. Adhesive seal (2)                  | D. lock frame (for Vinyl-Clad windows)(2) | G. Side curtains (2) |
| B. Foam seal                          | E. 3/8" screws(4)                         | H. Top rail          |
| C. lock frame (for Wooden windows)(2) | F. 3/4" screws(7)                         | I. sash lock         |
| K. Air conditioner                    | L. Remote control                         | J. EVA foam(2)       |
|                                       |   | M. Sealing sponge    |

**NOTE:** The H. Top rail, E. 3/8" screws(4) is not provided for 12K\14K BTU cooling only models.

The J. EVA foam(2) is provided only for E-star models, with E-star LOGO on the control panel.

The M. Sealing sponge is provided only for 5K\6K BTU DOE models.

## Unpack the Air Conditioner

### WARNING

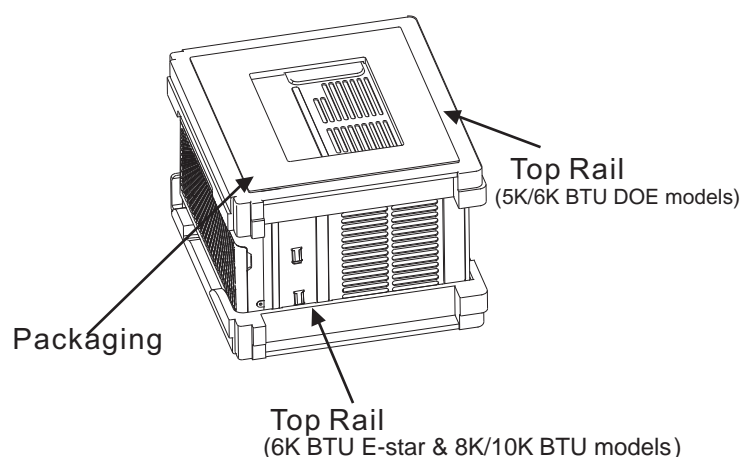
#### Excessive Weight Hazard

Use two or more people to move and install air conditioner.

Failure to do so can result in back or other injury.

### Remove packaging materials

- Remove and dispose of/recycle packaging materials. Remove tape and glue residue from surfaces before turning on the air conditioner. Rub a small amount of liquid dish soap over the adhesive with your fingers. Wipe with warm water and dry.
- Do not use sharp instruments, rubbing alcohol, flammable fluids, or abrasive cleaners to remove tape or glue. These products can damage the surface of your air conditioner.
- Handle the air conditioner gently.
- Remove top rail from the packaging material.



# Location Requirements

## Before You Begin

Read these instructions completely and carefully.

- **IMPORTANT:** Save these instructions for local inspector's use.
- **IMPORTANT:** Observe all governing codes and ordinances.
- **Note to Installer:** Be sure to leave these instructions with the consumer.
- **Note to Consumer:** Keep these instructions for future reference.
- **Skill level:** Installation of this appliance requires basic mechanical skills.
- **Completion time:** Approximately 1 hour.
- We recommend that two people install this product.
- Proper installation is the responsibility of the installer.
- Product failure due to improper installation is not covered under the Warranty.
- You **MUST** use all supplied parts and use proper installation procedures as described in these instructions when installing this air conditioner.

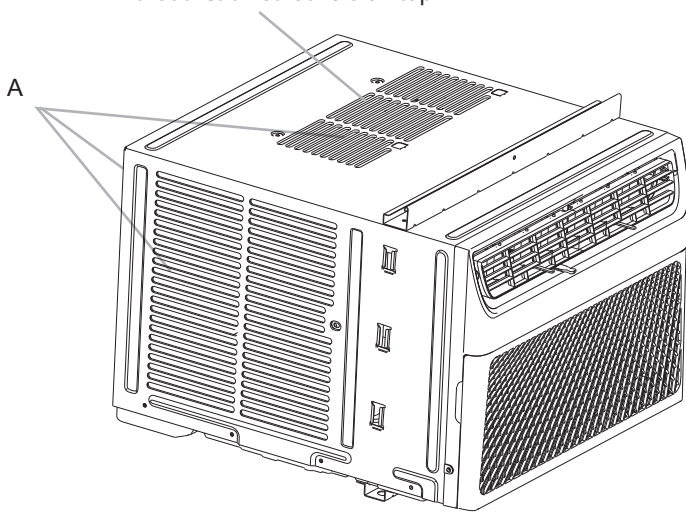
**IMPORTANT:** Observe all governing codes and ordinances. Check the location where air conditioner will be installed. Proper installation is your responsibility. Make sure you have everything necessary for correct installation.

The location should provide:

- Do not use an extension cord. The appliance shall be installed in accordance with national wiring regulations.
- Free movement of air in room to be cooled.
- A large enough opening for the air conditioner.

**NOTE:** Cabinet louvers must not be obstructed. Air must be able to pass through the cabinet louvers freely.

Cooling and Heating models without Cabinet louvers on top



A. Cabinet louvers

## Window Installation

Window opening measurements:

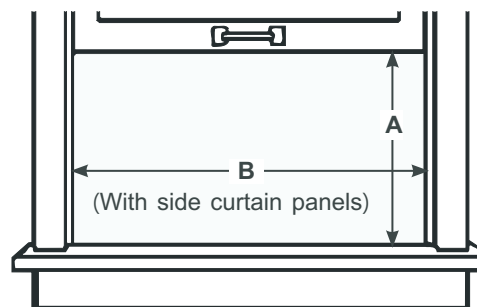
These instructions are for a standard double-hung window. You will need to modify them for other types of windows.

The air conditioner can be installed without the side curtain panels if needed to fit in a narrow window. See the window opening dimensions. All supporting parts must be secured to firm wood, masonry or metal.

The electrical outlet must be within reach of the power cord.

Follow the dimensions in the table and illustration for your model.

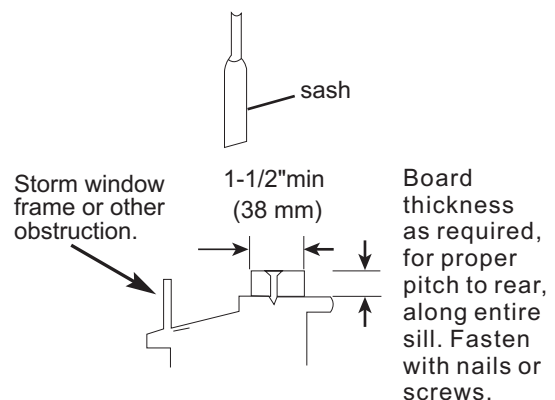
Models	A	B
5K BTU DOE 6K BTU DOE	12 2/5" (315mm) min	22" (559mm) - 37 4/5" (960mm)
6K BTU E-star 8K BTU 10K BTU	13 3/5" (345mm) min	24 1/2" (622mm) - 39" (991mm)
12K BTU 14K BTU	15 1/5" (386mm) min	24 9/10" (632mm) - 39" (991mm)



## If AC is Blocked by Storm Window

Add wood as shown, or remove storm window before air conditioner is installed.

If storm window frame must remain, be sure the drain holes or slots are not caulked or painted shut. Accumulated rain water or condensation must be allowed to drain out.

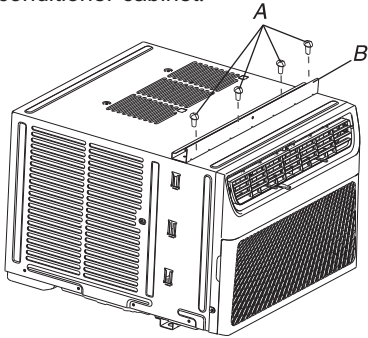


# INSTALLATION INSTRUCTIONS

## Prepare Air Conditioner for Installation

### Attach Top Rail

1. Locate the bag of screws provided.
2. Place the top rail on the top of the air conditioner cabinet, lining up the 4 holes in the top rail with the 4 holes on the top of the air conditioner cabinet.
3. Using four 3/8" (10mm) screws, attach the top rail to the air conditioner cabinet.



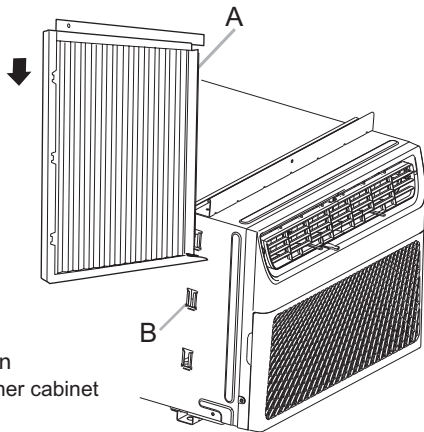
A. 3/8" screws  
B. Top rail

**NOTE:** The top rail had been attached by manufacturer.  
(Models: 12K\14K BTU cooling only)

### Install Side Curtains

**NOTE:** Attach curtains to the air conditioner before placing the air conditioner in window.

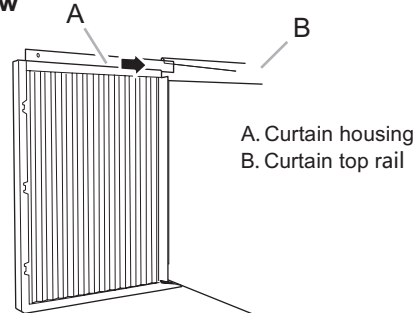
1. Slide the Side curtain directly into the cabinet. Slide the Side curtain down.



A. Side curtain  
B. Air conditioner cabinet

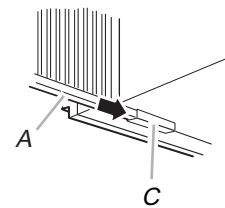
2. Insert top and then bottom of right-hand curtain housing in top and bottom curtain rails on air conditioner.

### Back View



A. Curtain housing  
B. Curtain top rail

### Bottom View

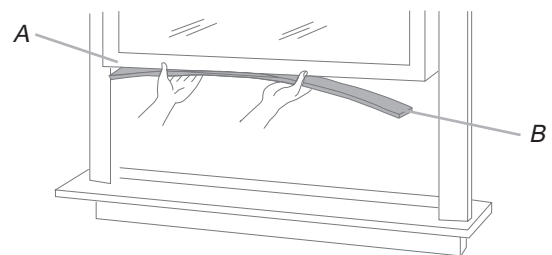


A. Curtain housing  
C. Curtain bottom rail on air conditioner

3. Slide the curtain housing into the channels as far as it could go.
4. Repeat steps above for the left-hand curtain.

### Attach Adhesive Seal

1. Cut the adhesive seal to the width of the lower window sash.
2. Remove the backing from the seal and attach the seal to the bottom of the lower window sash.



A. Lower window sash  
B. Adhesive seal

## Window Air Conditioner Installation

### ⚠ WARNING

#### Excessive Weight Hazard

Use two or more people to move and install air conditioner.

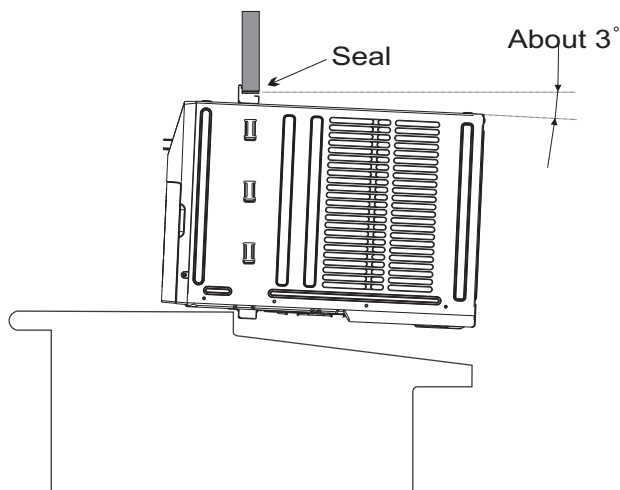
Failure to do so can result in back or other injury.

### NOTES:

- Handle air conditioner gently.
- Be sure your air conditioner does not fall out of the opening during installation or removal.
- Do not block the louvers in the front panel.
- Do not block the louvers on the outside of the air conditioner.

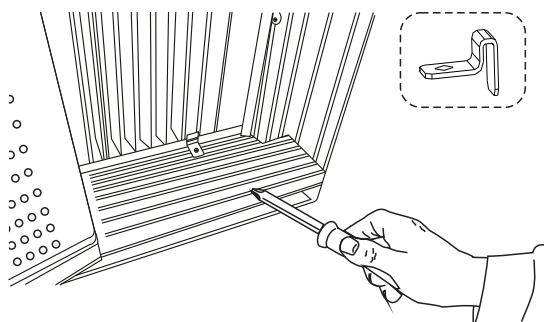
## Window Air Conditioner Installation

- Center air conditioner in window. Lower the window sash behind the top rail to hold cabinet in place. Keep a firm grip on the air conditioner, place the unit into the window opening carefully so the bottom of the air conditioner frame is against the window sill and make sure the unit is staying center of the window. Close the window behind the top rail of the unit carefully.

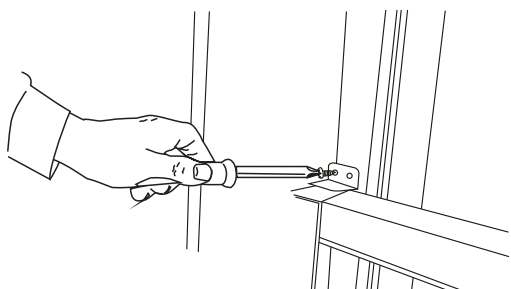


**NOTE:** Your model may differ from the one shown.

- Place the frame lock between the frame extensions and the window sill with 3/4" (19mm) screw as shown.

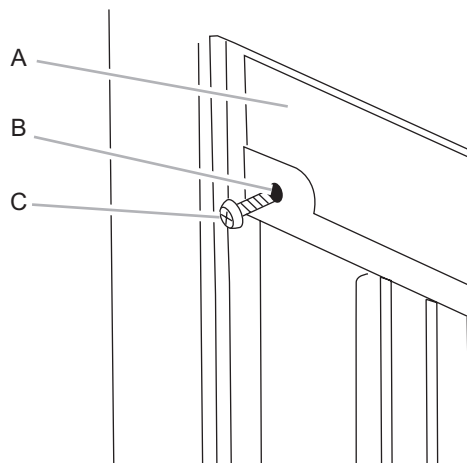


- To secure lower sash in place, attach right angle sash lock with 3/4" (19mm) screw as shown.



### Attach Side Curtains to Window

- Pull the left-hand curtain out until it fits into the window channel.
- Use a 1/8" (3mm) drill bit to drill a starter hole through the hole in the top rail.
- Insert one of the 3/4" (19mm) screws through the left-hand curtain and into the window sash.

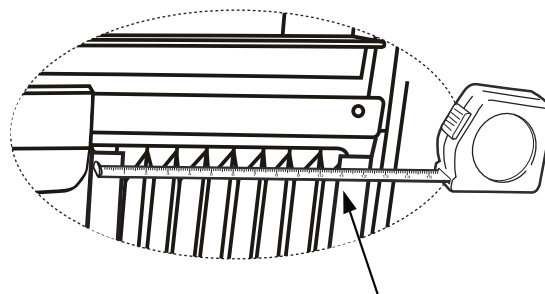


A. Window sash  
B. Hole in side curtain  
C 3/4" screw

**NOTE:** The following step 4 and step 5 are only applicable for E-star models, with E-star LOGO on the control panel.

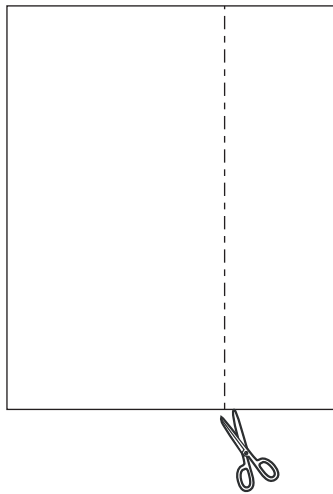
- Put one EVA Foam on the Curtain housing. In order to minimize air leaks and ensure optimal insulation, it is necessary to install the EVA Foam on the Curtain housing.

After the unit is installed to the window, measure the inner width of the side curtain as shown.

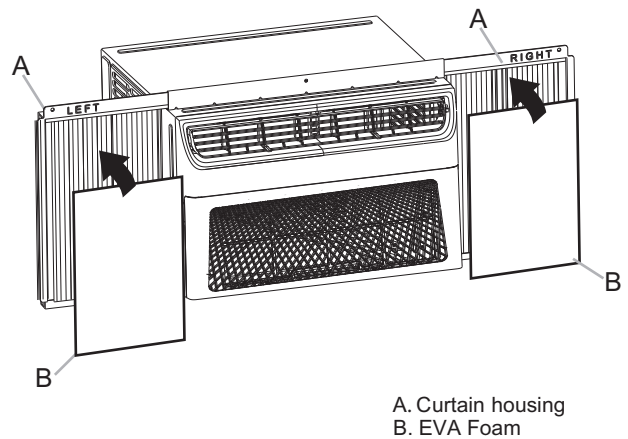


Measure the inner width of the side curtain

Remark a line on the EVA Foam according to less 1/8" (3mm) than the measured width in, then cut the EVA Foam along the line.



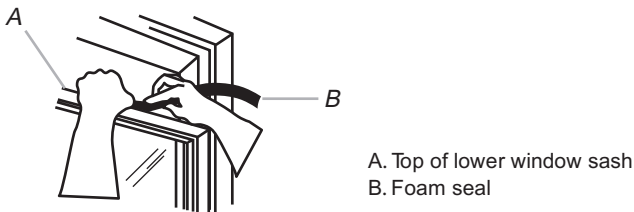
Remove the backing from the EVA Foam. Attach one EVA Foam on the Curtain housing, the side with adhesive should facing the Curtain housing.



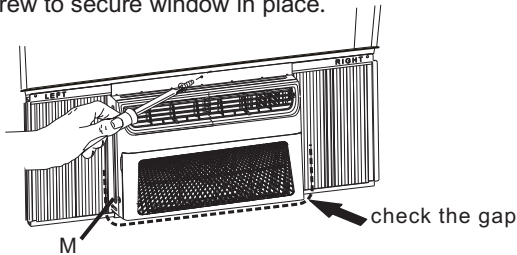
5. Repeat for the right-hand curtain.

## Complete Installation

1. Insert foam seal behind the top of the lower window sash and against the glass of the upper window.



2. Use a 1/8" (3mm) drill bit to drill a starter hole through the hole in the top rail.
3. Attach top channel to window sash with one 3/4" (19mm) screw to secure window in place.



The M. Sealing sponge is provided only for 5K/6K BTU DOE model

4. Check the gap around the unit and seal it with the adhesive seal attached.

**Electrical Shock Hazard**

Plug into a grounded 3 prong outlet.  
Do not remove ground prong.  
Do not use an adapter.  
Do not use an extension cord.  
Failure to follow these instructions can result in death, fire, or electrical shock.

5. Plug into a grounded 3 prong outlet.
6. Press RESET on the power supply cord. See "Electrical Requirements".

## AIR CONDITIONER USE

Operating your air conditioner properly helps you to obtain the best possible results.

This section explains proper air conditioner operation.

### IMPORTANT:

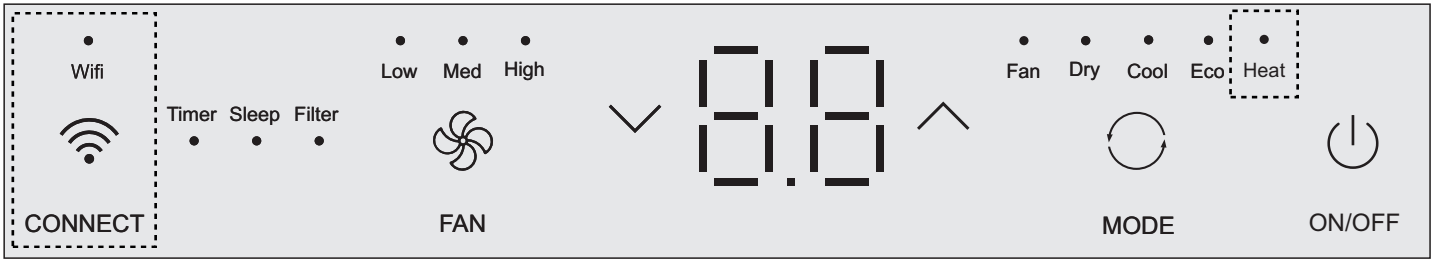
- If you turn off the air conditioner, wait at least 3 minutes before turning it back on. This prevents the air conditioner from blowing a fuse or tripping a circuit breaker.

- Air conditioner in the Cool mode operation the better limits:  
Outdoor side 64.4~109.4°F (18~43 °C), ≤80%RH;  
indoor side 62.6~89.6°F (17~32°C), ≤80%RH.
- Air conditioner in the Heat mode operation the better limits:  
Outdoor side 19.4~75.2°F (-7~24 °C), ≤80%RH;  
indoor side 32~80.6°F (0~27°C), ≤80%RH.

**NOTE:** In the event of a power failure, your air conditioner will operate at the previous settings when the power is restored.



# Starting Your Air Conditioner



## ON/OFF

1. Press the power button to turn on the air conditioner.



ON/OFF

**NOTE:** When the air conditioner is turned on for the first time after it is plugged in, the display will show the current set temperature and will run in the ECO control .

After cleaning and replacing the filter, press the POWER button for resetting and the FILTER light will go off.

2. Select mode. See "Mode".
3. Select fan speed. See "Fan".
4. Set temperature. See "Temperature".

## Mode

1. Press MODE repeatedly until you see the indicator light glow for the desired setting.
2. Choose Fan, Dry, Cool, Eco.
  - FAN - To select Fan Only mode.
  - Dry - Dries the room. The air conditioner automatically selects the temperature. Fan runs at Low speed only.
  - Cool - Cools the room.
  - Eco - Cools the room and save energy.
  - Heat - Heats the room.

**NOTE:** Heat is available only for heating models.

**NOTE:** Dry mode should not be used to cool the room.

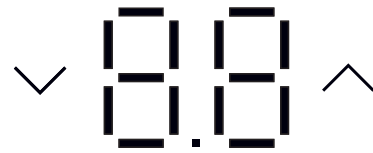
**NOTE:** Select ECO mode to initiate this function. For E-star models, the fan will continue to run after the compressor shuts off for 2 minutes(4minutes for the first time) , then the fan will shuts off for 10minutes .The fan then cycles run for 2 minutes and 10 minutes off intervals until the room temperature is above the set temperature, at which time the compressor turns back on and Cooling resumes.



MODE

## Temperature

- Press the plus UP (^) button to raise the temperature. Each time you press or hold the plus UP (^) button, the temperature will go up 1°F (1°C) until it reaches 86°F (30°C).



- Press the minus DOWN (v) button to lower the temperature. Each time you press or hold the DOWN (v) button, the temperature will go down 1°F (1°C) until it reaches 61°F (16°C).

### To change the temperature display from °F to °C:

Press both the MODE and DOWN (v) buttons at the same time for 5 seconds to switch the display from °F to °C.

## Fan

**NOTE:** The Fan button will operate only when the Fan,Cool,ECO or Heat mode has been selected.

1. Press FAN until you see the indicator light glow for the desired setting.
2. Choose High, Med, Low.
  - High - for maximum cooling
  - Med - for normal cooling
  - Low - for quieter cooling

**NOTE:** In ECO mode,the Fan will run at low speed when compressor turn off.

Low Med High



FAN

## Timer Sleep Filter

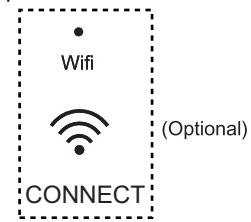
1. The LED light on control panel for Timer, Sleep, Filter.



2. The function introduction see “using the remote control”.

## WIFI

WIFI control is available for connected models with this logo on control panel.

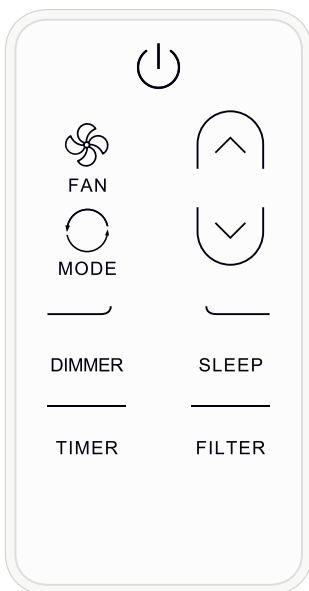


1. Press the CONNECT button for 5s, the LED starts to flash.
2. After the WIFI module connecting the router, the LED keeps on. Or the LED keeps off.

**NOTE:** WIFI control is available only for WIFI control models.

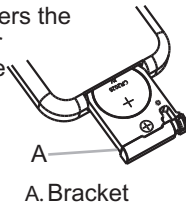
## Using the Remote Control

**NOTE:** Remote control may differ in appearance.



### NOTE:

- When the first use, please remove the insulated plastic patch.
- One CR2025 battery (included) powers the remote control. Replace battery after 6 months of use, or when the remote control starts to lose power.
- Please ensure the correct direction for polarity of the cell same as the indicator on the bracket.
- **Disposal of battery** old batteries must be removed and disposed of in accordance with current legislation as they are harmful to the environment.



## Fan

Press FAN to select High, Med, Low.

### NOTE:

In Dry mode, Fan speed cannot be set.



## Mode

Press MODE to select Fan, Dry, Cool, ECO.



## Temperature

- Press the plus UP (^) button to raise the temperature. Each time you press or hold the plus UP (^) button, the temperature will go up 1°F (1°C) until it reaches 86°F (30°C).



- Press the minus DOWN (v) button to lower the temperature. Each time you press or hold the DOWN (v) button, the temperature will go down 1°F (1°C) until it reaches 61°F (16°C).



## DIMMER

Press the DIMMER button to turn off the control panel display.

DIMMER

### NOTE:

When in DIMMER mode, new control inputs will return display to normal.

## Power

Press power button to turn on/off air conditioner.





---

## Sleep

---

**NOTES:** When you press sleep button

- In the Cooling mode, Dry mode, ECO mode, the set temperature will increase by 4°F(2°C) at most, during 2 hours, and continues running at that temperature until auto shut off.
- In Heating mode, the set temperature will decrease by 4°F(2°C) at most, during 2 hours, and continues running at that temperature until auto shut off.

1. Press MODE to select Cool, Dry or ECO
2. Press FAN to select High, Med or Low.
3. Press the up or down arrow button to set the temperature.
4. Press SLEEP. After 10 seconds, the lights on the control panel display will dim.

**NOTE:** The mode and temperature may be adjusted during Sleep control. Fan speed is automatically set to LOW.

SLEEP

5. To turn off Sleep control, press SLEEP again. or wait 8 hours for the air conditioner to turn off automatically.

**NOTE:** The air conditioner will return to previous settings after Sleep control is turned off.

---

## Timer

---

To set timer for a 1-24 hour delay on-off operation:

1. Press TIMER on remote control, LED display on the air conditioner control panel will flash.

TIMER

2. Press up or down arrow button to change the delay time from 1 hour to 24 hours.
3. Press TIMER on remote control again for TIMER confirmation and TIMER indicator light on the air conditioner control panel will be on
4. To cancel the TIMER, press the TIMER on remote and the TIMER indicator light will be off.

---

## Filter

---

1. When the Filter indicator light is lit, remove, clean and replace the air filter. See "Cleaning the Air Filter".
2. Press Power button on the machine, or FILTER button on remote to reset the filter, after cleaning and replacing the air filter.

FILTER

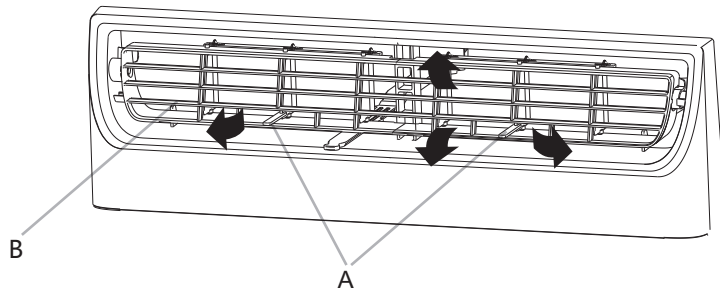
### **NOTE :**

When the light is on, it will remain on for 180 hours or until you press Clean Filter button.

---

## Changing Air Direction

Use the Vertical Level Vane to direct the air right or left. Use the whole cartridge to direct air up, down or straight ahead.



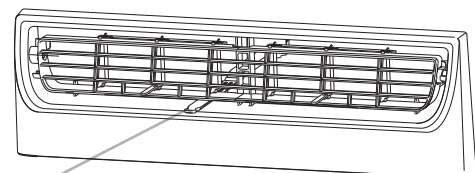
A. Vertical Level Vane  
B. Cartridge

---

## Exhaust Air Vent

- Pull out the exhaust air vent control to Open the exhaust air vent and draw stale or smoky air from the room.
- Push in the exhaust air vent control to close the exhaust air vent for maximum continuous cooling.

**NOTE:** The exhaust air vent control is available only for 12K\14K models.



A. Exhaust air vent control

**NOTE:** The exhaust air vent control will function only when the fan is running.

---

## Normal Sounds

When your air conditioner is operating normally, you may hear sounds such as:

- Droplets of water hitting the condenser, causing a pinging or clicking sound. The water droplets help cool the condenser.
- Air movement from the fan.
- Clicks from the thermostat cycle.
- Vibrations or noise due to poor wall or window construction.
- A high-pitched hum or pulsating noise caused by the modern high-efficiency compressor cycling on and off.

---

## AIR CONDITIONER CARE

Your new air conditioner is designed to give you many years of dependable service. This section tells you how to clean and care for your air conditioner properly. Call your local authorized dealer for an annual checkup. Remember the cost of this service call is your responsibility.

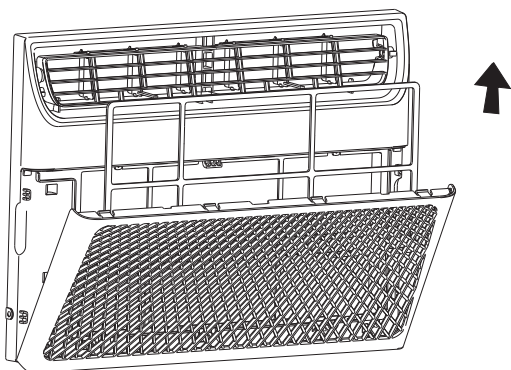
---

### Cleaning the Air Filter

The air filter is removable for easy cleaning. A clean filter helps remove dust, lint, and other particles from the air and is important for best cooling and operating efficiency. Check the filter every 2 weeks to see whether it needs cleaning.

NOTE: Do not operate the air conditioner without the filter in place.

1. Turn off the air conditioner.
2. Open the front panel. Grasp the filter by the handle and pull it out.



3. Use a vacuum cleaner to clean the air filter. If the air filter is very dirty, wash it in warm water with a mild detergent. Do not wash the air filter in the dishwasher or use any chemical cleaners. Air dry the filter completely before replacing to ensure maximum efficiency.
4. Replace the air filter back and close the front panel.

---

### Cleaning the Front Panel

1. Turn off the air conditioner.
2. Clean the front panel with a soft, damp cloth.
3. Air dry the front panel completely.

---

### Repairing Paint Damage

Check once or twice a year for paint damage. This is very important, especially in areas near oceans or where rust is a problem. If needed, touch up with a good grade enamel paint.

---

### Annual Maintenance

Your air conditioner needs annual maintenance to help ensure steady, top performance throughout the year. Call your local authorized dealer to schedule an annual checkup. The expense of an annual inspection is your responsibility.

---



## REMOVING AC FROM WINDOW

1. Turn AC off, and disconnect power cord.
2. Remove sash seal from between windows, and unscrew safety lock.
3. Remove screws installed through frame and frame lock.
4. Remove the EVA foam (E-star models only).
5. Close the curtain housing.
6. Keeping a firm grip on air conditioner, raise sash and carefully remove.
7. Be carefully not to spill any standing water while lifting unit from window. Store parts with the AC.

# TROUBLESHOOTING

Before calling for service, try the suggestions below to see whether you can solve your problem without outside help.

## Air conditioner does not operate

**Electrical Shock Hazard**

Plug into a grounded 3 prong outlet.  
Do not remove ground prong.  
Do not use an adapter.  
Do not use an extension cord.  
Failure to follow these instructions can result in death, fire, or electrical shock.

- **The power supply cord is unplugged.** Plug into grounded 3 prong outlet. See "Electrical Requirements".
- **The power supply cord has tripped (Reset button has popped out).** Press and release RESET (listen for click; Reset button will latch and on some devices, a green light will turn on) to resume operation.
- **A household fuse has blown, or circuit breaker has tripped.** Replace the fuse or reset the circuit breaker. If the problem continues, call an electrician. See "Electrical Requirements".
- **The Power button has not been pressed.** Press the Power button.
- **The local power has failed.** Wait for power to be restored.

## Air conditioner blows fuses or trips circuit breakers

- **Too many appliances are being used on the same circuit.** Unplug or relocate appliances that share the same circuit.
- **Time-delay fuse or circuit breaker of the wrong capacity is being used.** Replace with a time-delay fuse or circuit breaker of the correct capacity. See "Electrical Requirements".
- **An extension cord is being used.** Do not use an extension cord with this or any other appliance.
- **You are trying to restart the air conditioner too soon after turning off the air conditioner.** Wait at least 3 minutes after turning off the air conditioner before trying to restart the air conditioner.

## Air conditioner power supply cord trips (Reset button pops out)

- **Disturbances in your electrical current can trip (Reset button will pop out) the power supply cord.** Press and release RESET (listen for click; Reset button will latch and on some devices, a green light will turn on) to resume operation.
- **Electrical overloading, overheating, cord pinching or aging can trip (Reset button will pop out) the power supply cord.** After correcting the problem, press and release RESET (listen for click; Reset button will latch and on some devices, a green light will turn on) to resume operation.

**NOTE:** A damaged power supply cord must be replaced with a new power supply cord obtained from the product manufacturer and must not be repaired.

## Air conditioner seems to run too much

- **The current air conditioner replaced an older model.** The use of more efficient components may cause the air conditioner to run longer than an older model, but the total energy consumption will be less. Newer air conditioners do not emit the "blast" of cold air you may be accustomed to from older air conditioners, but this is not an indication of lesser cooling capacity or efficiency. Refer to the efficiency rating (EER) and capacity rating (in Btu/h) marked on the air conditioner.
- **The air conditioner is in a heavily occupied room, or heat-producing appliances are in use in the room.** Use exhaust vent fans while cooking or bathing and try not to use heat-producing appliances during the hottest part of the day. A higher capacity air conditioner may be required, depending on the size of the room being cooled.

## Air conditioner cycles on and off too much or does not cool

- **The air conditioner is not properly sized for your room.** Check the cooling capabilities of your room air conditioner. Room air conditioners are not designed to cool multiple rooms.
- **The filter is dirty or obstructed by debris.** Clean the filter.
- **The inside evaporator and outside condenser coils are dirty or obstructed by debris.** See Annual Maintenance.
- **There is excessive heat or moisture (open container cooking, showers, etc.) in the room.** Use a fan to exhaust heat or moisture from the room. Try not to use heat-producing appliances during the hottest part of the day.
- **The louvers are blocked.** Install the air conditioner in a location where the louvers are free from curtains, blinds, furniture, etc.

- **The temperature of the room you are trying to cool is extremely hot.** Allow extra time for the air conditioner to cool off a very hot room.
- **Windows or doors to the outside are open.** Close all windows and doors.
- **The Temp control is not at a cool enough setting.** Adjust the Temp control to a cooler setting by pressing the minus button to reduce the temperature. Set the Fan Speed control to the highest setting.

---

#### **Water drips from the rear of the unit**

---

- **You see water dripping from the rear of the unit.** Water may be collected in the base pan in highly humid conditions or on rainy days. This water overflows and drips from the rear of the unit.

---

#### **Water drips from cabinet into your house**

---

- **The air conditioner is not properly leveled.** The air conditioner should slope slightly downward toward the outside. Level the air conditioner to provide a downward slope toward the outside to ensure proper drainage. See the Installation Instructions.

**NOTE:** Do not drill a hole in the bottom of the metal base and condensate pan.

---

# TABLA DE CONTENIDOS

SEGURIDAD DEL CLIMATIZADOR	16
REQUISITOS DE INSTALACIÓN	17
Requisitos eléctricos	17
Herramientas y piezas	18
Desempaquete el climatizador	18
Requisitos de ubicación	19
INSTRUCCIONES DE INSTALACIÓN	20
Prepare el aire acondicionado para realizar la instalación	20
Instalación del aire acondicionado en una ventana	20
Complete la instalación	22
USO DEL AIRE ACONDICIONADO	22
Inicio del aire acondicionado	23
Uso del mando a distancia	24
Cambio en la dirección del aire	25
Ventilación del aire de escape	25
Sonidos normales	26
CUIDADO DEL AIRE ACONDICIONADO	26
Limpiar el filtro de aire	26
Limpieza del panel frontal	26
Reparación de la pintura dañada	26
Mantenimiento anual	26
EXTRACCIÓN DEL AIRE ACONDICIONADO DE LA VENTANA	26
RESOLUCIÓN DE PROBLEMAS	27

---

# SEGURIDAD DEL CLIMATIZADOR

## Su seguridad y la seguridad de los demás es muy importante.

Hemos incluido muchos mensajes de seguridad importantes en este manual y en el aparato. Lea y siga siempre todos los mensajes de seguridad.



Este es el símbolo de alerta de seguridad.

Este símbolo lo alerta sobre un peligro potencial que puede matarlo o herirlo a usted y a otros.

Todos los mensajes de seguridad irán detrás del símbolo de alerta de seguridad y de la palabra "PELIGRO" o "ADVERTENCIA". Estas palabras significan:

 D9@ F C

Podría resultar en muerte o lesión grave si no se siguen inmediatamente las instrucciones.

 58J 9F H9B 7 5

Podría resultar en muerte o lesión grave si no se siguen las instrucciones.

Todos los mensajes de seguridad le dirán qué peligro es, cómo reducir las probabilidades de una lesión y qué sucederá si no sigue las instrucciones.

## INSTRUCCIONES IMPORTANTES DE SEGURIDAD

**ADVERTENCIA:** Para reducir el riesgo de incendio, descarga eléctrica o lesiones al usar el climatizador, siga estas precauciones básicas:

- Enchufe a una toma con 3 clavijas y conexión a tierra.
- No retire la clavija de conexión a tierra.
- No utilice adaptadores.
- No utilice cables alargadores.
- Desenchufe el climatizador antes de revisarlo.
- Dos o más personas deben trasladar e instalar el climatizador.

## GUARDE ESTAS INSTRUCCIONES

## ELIMINAR LA UNIDAD

- Antes de desechar el dispositivo, es necesario retirar las celdas de la batería y reciclarlas.
- Cuando deba eliminar la unidad, consulte con nuestro distribuidor. Si las tuberías se retiran incorrectamente, podría soplar refrigerante que entre en contacto con su piel, provocándole lesiones. El refrigerante liberado a la atmósfera también dañará el medio ambiente.
- Recicle o elimine el material de embalaje del producto de forma responsable con el medio ambiente.
- Nunca almacene ni envíe el climatizador boca abajo ni de lado para evitar daños en el compresor.
- Este aparato no ha sido diseñado para que lo utilicen personas (incluidos niños) con capacidades físicas, sensoriales o mentales reducidas, o con falta de experiencia o conocimientos, a menos que estén supervisados o reciban instrucciones acerca del uso del aparato por parte de una persona responsable de su seguridad. Los niños deben estar supervisados para garantizar que no jueguen con el aparato.
- En la placa del aire acondicionado se muestra el diagrama de cableado.



### ADVERTENCIA

**Riesgo de incendio o explosión. Esta unidad contiene refrigerante inflamable. Debe seguir las medidas de precaución adicionales.**

- No utilice medios para acelerar el proceso de descongelación o de limpieza que no sean los recomendados por el fabricante. No utilice medios para acelerar el proceso de descongelación o de limpieza que no sean los recomendados por el fabricante.
- Se debe almacenar el aparato en una sala sin fuentes de ignición en funcionamiento continuo (por ejemplo: llamas vivas, aparatos de gas o calentadores eléctricos en funcionamiento).
- No perforo ni golpee la tubería del refrigerante. Tenga en cuenta que es posible que los refrigerantes no tengan olor.
- Mantenga los orificios de ventilación libres de obstrucciones.
- La cantidad máxima de carga del refrigerante se muestra en la placa del aire acondicionado.
- Debe tener mucho cuidado para evitar dañar la tubería refrigerante al manipular, instalar y operar el electrodoméstico.
- No perforo orificios en la unidad.
- El mantenimiento, la limpieza y el servicio deben ser realizados solo por técnicos capacitados y calificados en el uso de refrigerantes inflamables.
- Deshágase del aire acondicionado siguiendo las normas federales y locales. Los refrigerantes inflamables requieren de procedimientos de eliminación especiales. Contacte a las autoridades locales para eliminar el aire acondicionado de forma segura.
- Para evitar que ocurran daños mecánicos, se debe guardar el electrodoméstico.

# REQUISITOS DE INSTALACIÓN

## Requisitos eléctricos

### ⚠ ADVERTENCIA



Peligro de descarga eléctrica

Enchufe a una toma con 3 clavijas y conexión a tierra.

No retire la clavija de conexión a tierra.

No utilice adaptadores.

No utilice cables alargadores.

No seguir estas instrucciones puede resultar en muerte, incendio o descarga eléctrica.

### Requisitos para el cableado

Fuente de alimentación	Modelo	Fusible de acción retardada (o disyuntor)
115V 103,5V mín. 126,5 V máx.	5K BTU DOE 6K BTU DOE	10A
	6K BTU E-star 8K BTU solo frío 10K BTU solo frío	13A
	12K BTU solo frío 14K BTU solo frío 8K BTU frío y calor	15A

### Método de conexión a tierra recomendado

Este aire acondicionado debe estar conectado a tierra. El aire acondicionado está equipado con un cable de alimentación y un tomacorriente de tres patas con conexión a tierra. El cable debe estar enchufado a una toma compatible de tres clavijas con conexión a tierra y debe tener una conexión a tierra de conformidad con todos los códigos y ordenanzas locales. En caso de no disponer de un tomacorriente, es responsabilidad del cliente tener un tomacorriente de tres patas con conexión a tierra instalado por un electricista calificado.

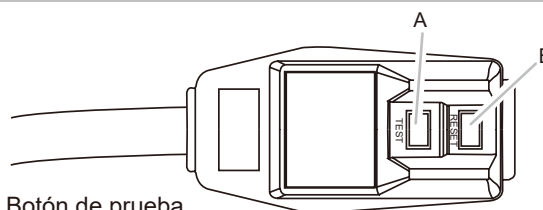
### Es responsabilidad del cliente:

Contactar a un electricista calificado.

Garantizar que la instalación eléctrica sea adecuada y conforme al código eléctrico nacional, la última edición de ANSI/NFPA 70 y todos los códigos y ordenanzas locales.

Las copias de las normas mencionadas se pueden obtener de:  
Asociación Nacional de Protección contra el Fuego,  
1 Batterymarch Park  
Quincy, Ma 02169-7471  
www.nfpa.org

### Cable de alimentación



A. Botón de prueba  
B. Botón de reinicio

### NOTA:

Su aire acondicionado puede diferir del que se muestra aquí. Este aire acondicionado está equipado con un cable de alimentación por UL. Este cable de alimentación contiene electrónica avanzada que detecta la corriente residual. Si el cable está aplastado, la electrónica detecta la corriente residual y la energía se desconectará en una fracción de segundos.

### Para probar su cable de alimentación:

1. Conecte el cable de alimentación a un tomacorriente de 3 patas con conexión a tierra.
2. Presione RESET (en algunos dispositivos se enciende una luz verde).
3. Presione TEST (escuche un clic; el botón de reinicio se activará y, en algunos dispositivos, se apagará una luz verde).
4. Presione RESET y suéltelo (escuche un clic; el botón de reinicio se detendrá y, en algunos dispositivos, se encenderá una luz verde). El cable de alimentación está listo para funcionar.

### NOTA:

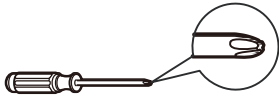


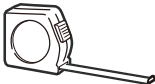
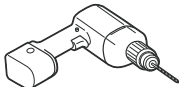

- Para un funcionamiento correcto, debe presionar el botón de reinicio.
- Se debe reemplazar el cable de alimentación si falla o se activa al momento de presionar el botón de prueba o si falla al reiniciar.
- No utilice un cable de alimentación como un interruptor de encendido/apagado. El cable de alimentación está diseñado como un dispositivo de protección.
- Se debe reemplazar el cable de alimentación dañado por un cable nuevo que se obtiene del fabricante; no se debe reparar.
- El cable de alimentación contiene piezas que el usuario no puede reparar. Si abre la caja a prueba de alteraciones, anulará todas las garantías y demandas de rendimiento.



## Herramientas y piezas

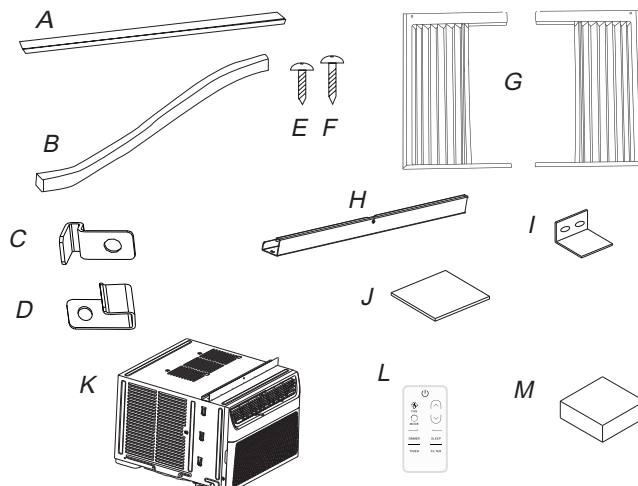
Reúna las herramientas y piezas necesarias antes de empezar la instalación. Lea y siga las instrucciones proporcionadas con las herramientas aquí descritas.

### Herramientas necesarias

- Destornillador Phillips 
- Tijeras 
- Nivel 
- Cinta métrica 
- Taladro inalámbrico y broca de 1/8" mm 
- Lápiz 

### Piezas suministradas

Verifique que todas las piezas estén incluidas en el empaque.



- |  |  |                            |
|--|--|----------------------------|
| A. Cinta adhesiva (2)                      | D. Soporte de esquina (2)<br>(para ventanas con revestimiento de vinilo) | G. Cortina lateral (2)     |
| B. Sello de espuma                         | E. tornillos de 3/8" (4)   | H. Guía superior           |
| C. Grampa<br>(para ventanas de madera) (2) | F. tornillos de 3/4" (7)   | I. Seguro de la guillotina |
| K. Aire acondicionado                      | L. Control remoto  | J. Goma EVA (2)            |
|  |  | M. Espuma selladora (2)    |

**NOTA:** La H. Guía superior y los E. tornillos de 3/8" (4) no vienen suministrados para los modelos solo frío de 12K/14K BTU.  
La J. Goma EVA (2) solo viene para los modelos E-star, con el LOGO E-star en el panel de control.  
La M. Espuma selladora solo viene para los modelos 5K/6K BTU DOE.

## Desempaque el climatizador



### ADVERTENCIA

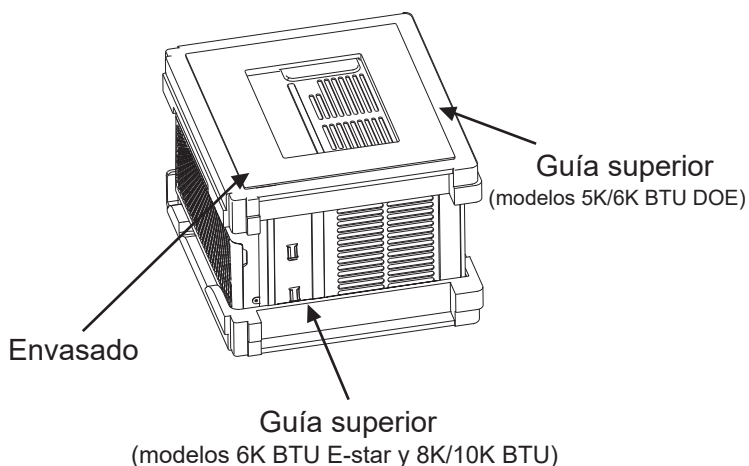
Peligro por exceso de peso

Dos o más personas deben trasladar e instalar el climatizador.

De lo contrario, podría resultar en lesiones en la espalda o de otro tipo.

### Retire los materiales de embalaje.

- Retire y elimine/recicle los materiales de embalaje. Retire la cinta y los residuos de pegamento de las superficies antes de encender el climatizador. Frote una pequeña cantidad de jabón líquido para lavar platos en el adhesivo con los dedos. Limpie con agua templada y seque.
- No utilice instrumentos afilados, ni frote alcohol, líquidos inflamables o limpiadores abrasivos para eliminar la cinta o el pegamento. Estos productos pueden dañar la superficie del climatizador.
- Manipule suavemente el climatizador.
- Quite la guía superior del material de empaque.





## Requisitos de ubicación

### Antes de comenzar

Lea completa y cuidadosamente estas instrucciones.

- **IMPORTANTE:** Guarde estas instrucciones para uso local.
- **IMPORTANTE:** Siga todas las normas y ordenanzas.
- Nota para el instalador: Asegúrese de dejarle estas instrucciones al consumidor.
- Nota para el consumidor: Guarde estas instrucciones para futuras referencias.
- Nivel de habilidad: La instalación de este electrodoméstico requiere de habilidades mecánicas básicas.
- Tiempo de ejecución: Aproximadamente 1 hora.
- Le recomendamos que dos personas instalen el producto.
- La instalación correcta es responsabilidad de la persona que lo instala.
- La falla del producto debido a la instalación incorrecta no está cubierta por la Garantía.
- Al momento de instalar este aire acondicionado, usted DEBE utilizar todas las piezas suministradas y seguir correctamente los procedimientos de instalación como se describen en estas instrucciones.

**IMPORTANTE:** Siga todas las normas y ordenanzas.

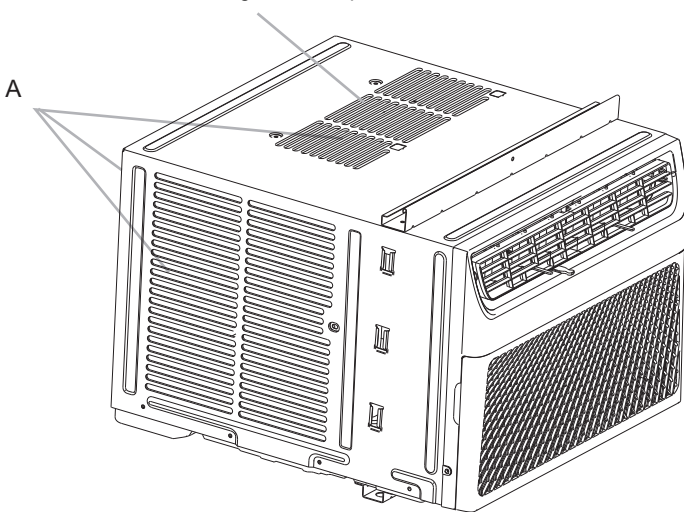
Compruebe el lugar donde instalará el aire acondicionado. Es su responsabilidad que la instalación sea correcta. Asegúrese de tener todo lo necesario para realizar una instalación correcta.

La ubicación debe brindar:

- No utilice cables alargadores. El aparato debe instalarse de acuerdo con la normativa nacional de cableado.
- Libre movimiento del aire en la habitación a ser enfriada.
- Una abertura lo suficientemente grande para el aire acondicionado.

**NOTA:** No se deben obstruir las lamas del gabinete. El aire debe pasar libremente por las lamas del gabinete.

Modelos de frío y calor sin lamas en el gabinete superior



A. Lamas del gabinete

### Instalación en ventana

Medidas de la abertura de la ventana:

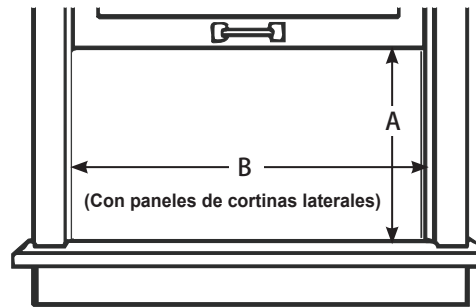
Estas instrucciones son para una ventana con doble guillotina. Tendrá que modificarlas para otro tipo de ventanas. Si es necesario instalarlo en una ventana estrecha, el aire acondicionado se puede instalar sin los paneles de las cortinas laterales. Refiérase a las dimensiones de la abertura de la ventana.

Todas las piezas de soporte deben estar aseguradas a una madera firme, mampostería o metal.

El tomacorriente debe estar dentro del alcance del cable de alimentación.

Siga las dimensiones de la tabla y las ilustraciones para su modelo

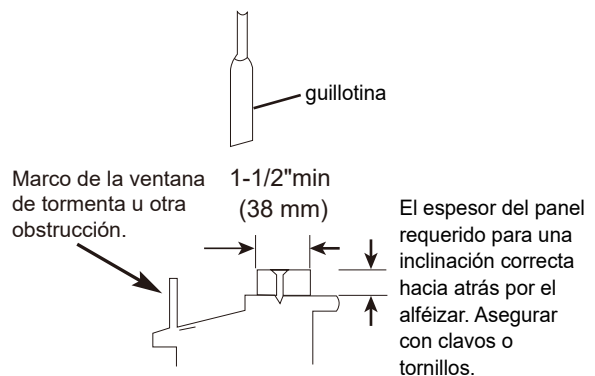
Modelos	A	B
5K BTU DOE 6K BTU DOE	12 2/5" (315mm) mín	22" (559mm) - 37 4/5" (960mm)
6K BTU E-star 8K BTU 10K BTU	13 3/5" (345mm) mín	24 1/2" (622mm) - 39" (991mm)
12K BTU 14K BTU	15 1/5" (386mm) mín	24 9/10" (632mm) - 39" (991mm)



Si el aire acondicionado está bloqueado por una ventana de tormenta

Añada madera como se muestra aquí o quite la ventana antes de instalar el aire acondicionado.

Si tiene que dejar el marco de la ventana de tormenta, asegúrese de que los orificios o las ranuras no estén enmasillados o pintados.

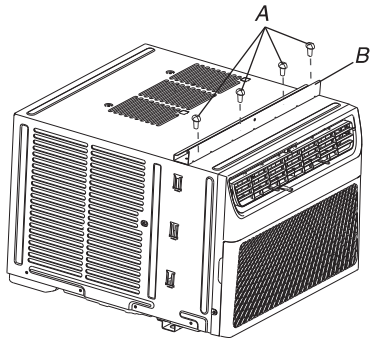


# INSTRUCCIONES DE INSTALACIÓN

## Prepare el aire acondicionado para realizar la instalación

### Añada la guía superior

1. Identifique la bolsa suministrada con los tornillos.
2. Coloque la guía superior en la parte superior del gabinete del aire acondicionado, alinee los 4 orificios de la guía con los 4 orificios de la parte superior del gabinete.
3. Utilizando los cuatro tornillos de 3/8" (10 mm), añada la guía al gabinete del aire acondicionado.



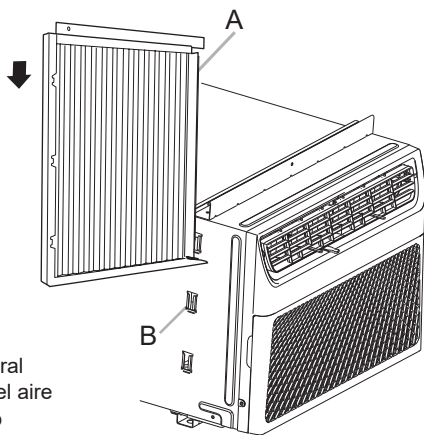
A. Tornillos de 3/8"  
B. Guía superior

**NOTA:** La guía superior ha sido añadida por el fabricante.  
(Modelos: 12K/14K BTU solo frío)

### Instale las cortinas laterales

**NOTA:** Añada las cortinas al aire acondicionado antes de colocar el aire acondicionado en la ventana.

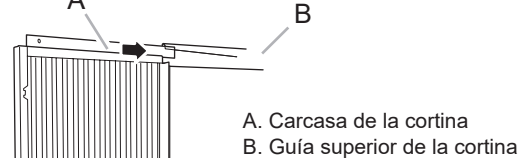
1. Deslice la cortina lateral directamente en el gabinete. Deslice la cortina lateral hacia abajo.



A. Cortina lateral  
B. Gabinete del aire acondicionado

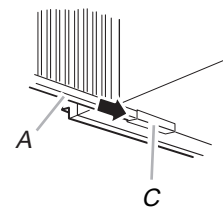
2. Inserte la parte superior y luego la inferior de la carcasa de la cortina derecha en la parte superior e inferior de la guía de la cortina en el aire acondicionado.

### Vista trasera



A. Carcasa de la cortina  
B. Guía superior de la cortina

### Vista inferior

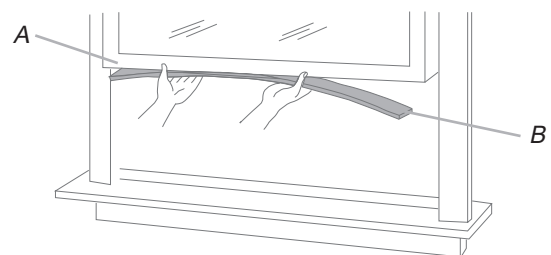


A. Carcasa de la cortina  
C. Guía inferior de la cortina en el aire acondicionado

3. Deslice la carcasa de la cortina en los canales tanto como sea posible.
4. Repita los pasos anteriores con la cortina izquierda.

### Añada la cinta adhesiva

1. Corte la cinta adhesiva al ancho de la guillotina inferior de la ventana.
2. Quite el reverso de la cinta y pegue la cinta a la parte de abajo de la guillotina inferior de la ventana.



A. Guillotina inferior de la ventana  
B. Cinta adhesiva

## Instalación del aire acondicionado en una ventana

### ⚠ ADVERTENCIA

Peligro por exceso de peso

Dos o más personas deben trasladar e instalar el climatizador.

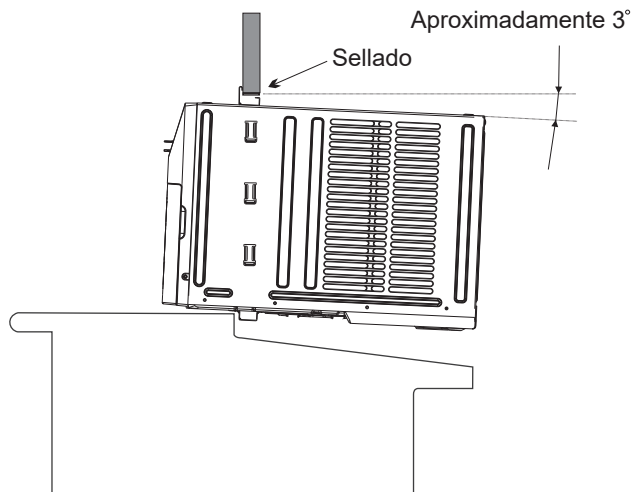
De lo contrario, podría resultar en lesiones en la espalda o de otro tipo.

### NOTAS:

- Manipule el aire acondicionado con cuidado.
- Asegúrese de que el aire acondicionado no se caiga durante la instalación o la extracción.
- No bloquee las lamas del panel frontal.
- No bloquee las lamas de la parte exterior del aire acondicionado.

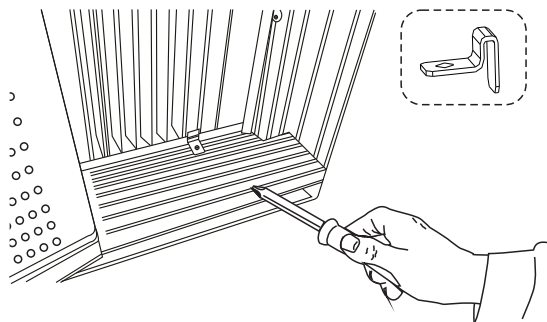
## Instalación del aire acondicionado en una ventana

1. Centre el aire acondicionado en la ventana. El alféizar inferior de la ventana detrás de la guía superior sostiene el gabinete en su lugar. Sostenga firmemente el aire acondicionado; coloque cuidadosamente la unidad en la abertura de la ventana de tal manera que la parte inferior del marco del aire acondicionado quede contra el alféizar de la ventana y asegúrese de que la unidad quede centrada en la ventana. Cierre cuidadosamente la ventana detrás de la guía superior de la unidad.

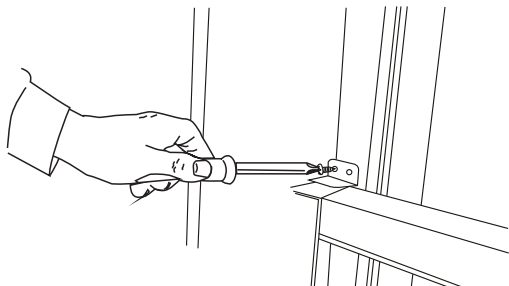


**NOTA:** Su modelo podría diferir del mostrado.

2. Coloque el marco de cerradura entre el marco de extensión y el alféizar de la ventana utilizando los tornillos de 3/4" (19 mm) como se muestra a continuación.

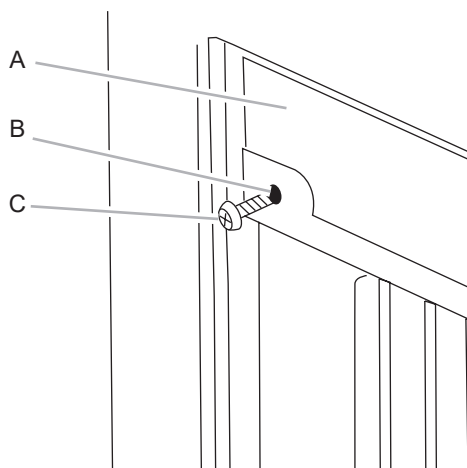


3. Para asegurar la guillotina inferior en su lugar, añada el seguro de la guillotina en el ángulo correcto utilizando el tornillo de 3/4" (19 mm) como se muestra a continuación.



### Añada las cortinas laterales a la ventana

1. Saque la cortina de la izquierda de la unidad y adáptela al canal de la ventana.
2. Utilice la broca de 1/8" (3 mm) para perforar un orificio a través del orificio de la guía superior.
3. Coloque uno de los tornillos de 3/4" (19 mm) en la cortina izquierda y en el marco de la ventana.

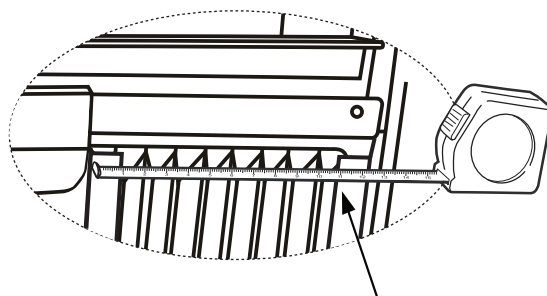


A. Marco de la ventana  
B. Orificio en la cortina lateral  
C. Tornillos de 3/4"

**NOTA:** Los pasos 4 y 5 son solo para los modelos E-star, con el LOGO E-star en el panel de control.

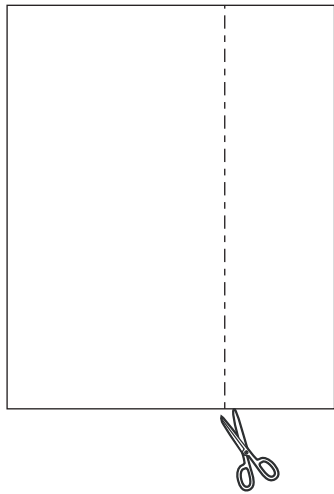
4. Añada un trozo de goma EVA en la carcasa de la cortina. Para minimizar las fugas de aire y garantizar un aislamiento óptimo, si es necesario, instale la goma EVA en la carcasa de la cortina.

Después de instalar la unidad en la ventana, mida el ancho interno de la cortina lateral como se muestra aquí.

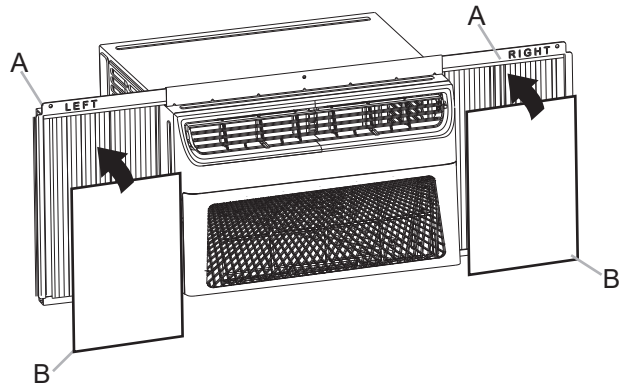


Mida el ancho interno de la cortina lateral

Remarque la línea en la goma EVA a 1/8 (3 mm) menos que el ancho medido; luego, corte la goma EVA por la línea.



Quite el reverso de la goma EVA. Añada la goma EVA a la carcasa de la cortina, el lado con el adhesivo debería estar frente a la carcasa de la cortina.



A. Carcasa de la cortina  
B. Goma EVA

5. Repita con la cortina de la derecha.

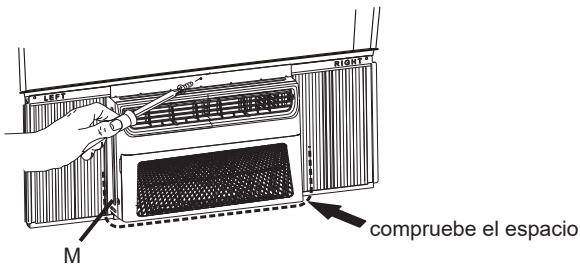
## Complete la instalación

1. Coloque la espuma detrás de la parte superior del marco inferior de la ventana y contra el vidrio de la ventana superior.



A. Parte superior de la banda inferior de la ventana  
B. Sello de espuma

- Utilice la broca de 1/8" (3 mm) para perforar un orificio a través del orificio de la guía superior.
- Añada el canal superior al alféizar de la ventana con un tornillo de 3/4" (19 mm) para asegurar la ventana en el lugar.



La M. Espuma selladora está suministrada solo para los modelos 5K/6K BTU DOE.

4. Compruebe el espacio alrededor de la unidad y séllelo con la cinta adhesiva.

**Peligro de descarga eléctrica**

Enchufe a una toma con 3 clavijas y conexión a tierra.  
No retire la clavija de conexión a tierra.  
No utilice adaptadores.  
No utilice cables alargadores.  
No seguir estas instrucciones puede resultar en muerte, incendio o descarga eléctrica.

- Enchufe a una toma con 3 clavijas y conexión a tierra.
- Presione RESET en el cable de alimentación. Consulte "Requisitos eléctricos".

## USO DEL AIRE ACONDICIONADO

Al operar el aire acondicionado de forma correcta, lo ayuda a obtener los mejores resultados. Esta sección explica el uso adecuado del climatizador.

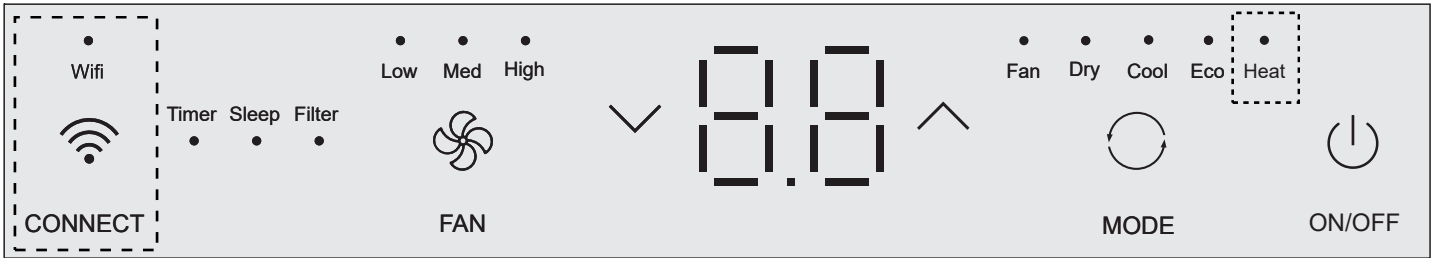
### IMPORTANTE:

- Si apaga el aire acondicionado, espere al menos 3 minutos antes de volver a encenderlo. Esto evita que el aire acondicionado quemé un fusible o haga saltar el disyuntor.

- Los mejores límites para el aire acondicionado en el modo de funcionamiento de refrigeración:  
Lado exterior 64,4~109,4° F (18~43° C), ≤80%RH;  
Lado interior 62,6~89,6° F (17~32° C), ≤80%RH.
- Los mejores límites para el aire acondicionado en el modo de funcionamiento de calefacción:  
Lado exterior 19,4~75,2° F (-7~24° C), ≤80%RH;  
Lado interior 32~80,6° F (0~27° C), ≤80%RH.

**NOTA:** En caso de fallo de alimentación, el climatizador funcionará con los ajustes previos cuando se restaure la alimentación.

# Inicio del aire acondicionado



## ON/OFF

1. Presione el botón de encendido para encender el aire acondicionado.



## ON/OFF

**NOTA:** Cuando se enciende el aire acondicionado por primera vez después de conectarlo, la pantalla mostrará la temperatura establecida actual y funcionará en ECO.

Después de realizar la limpieza y volver a conectar el filtro, presione el botón POWER para reiniciar; la luz del FILTRO se apagará.

2. Seleccionar modo Aparecerá "Modo".
3. Seleccione la velocidad del ventilador. Aparecerá "Ventilador".
4. Temperatura establecida Aparecerá "Temperatura".

## Modo

1. Presione MODE repetidamente hasta que vea que la luz indicadora brille en la configuración deseada.
2. Seleccione Fan [Ventilador], Dry [Seco], Cool [Frío], Eco, o Heat [Calor].
  - FAN - Para seleccionar el modo de Solo ventilador.
  - DRY - Seca el ambiente. El climatizador selecciona automáticamente la temperatura. El ventilador funciona sólo a baja velocidad.
  - Cool - Enfría la habitación.
  - Eco - Enfría la habitación y ahorra energía.
  - Heat - Calienta la habitación.

**NOTA:** Heat solo está disponible para los modos de calefacción.

**NOTA:** El modo de Secado no debe utilizarse para enfriar la sala.

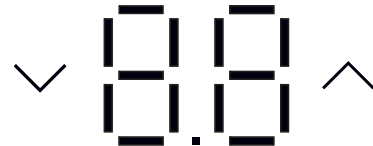
**NOTA:** Seleccione el modo ECO para iniciar esta función. Para los modelos E-star, el ventilador continuará funcionando después de que el compresor se pague por 2 minutos (4 minutos la primera vez), luego, el ventilador se apagará por 10 minutos. El ciclo del ventilador funcionará por 2 minutos y se apagará 10 minutos en intervalos hasta que la temperatura ambiente sea superior a la temperatura establecida, cuando el compresor se vuelva a encender y se reanude la refrigeración.



## MODE

## Temperatura

- Pulse el botón más "UP" (^) para subir la temperatura. Cada vez que presione o mantenga presionado el botón más "UP" (^), la temperatura aumentará de a un 1° F (1° C) hasta llegar a los 86° F (30° C).



- Presione el botón menos "DOWN" (v) para disminuir la temperatura. Cada vez que presione o mantenga presionado el botón menos "DOWN" (v), la temperatura disminuirá de a un 1° F (1° C) hasta llegar a los 61° F (16° C).

## Para cambiar la pantalla de la temperatura de °F a °C:

Presione los botones MODE y DOWN (v) al mismo tiempo durante 5 segundos para cambiar la pantalla de °F a °C.

## Ventilador

**NOTA:** El botón del ventilador funcionará solo cuando se hayan elegido los modos Cool, Fan, ECO o Heat.

1. Presione FAN hasta que vea que la luz indicadora brille en la configuración deseada.
2. Seleccione Alta, Media, Baja.
  - Alta - para una máxima refrigeración
  - Media - para una refrigeración normal
  - Baja- para una refrigeración leve

**NOTA:** En el modo ECO, el ventilador funcionará a una baja velocidad cuando el compresor se apague.



## FAN

## Temporizador, Reposo, Filtro

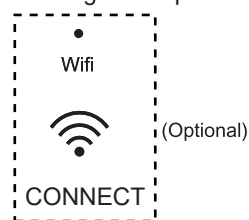
1. La luz LED en el panel de control para Temporizador, Reposo, Filtro.



2. Para una introducción sobre la función refiérase a "uso del control remoto".

## WIFI

El control WiFi está disponible para los modelos conectados con este logo en el panel de control.

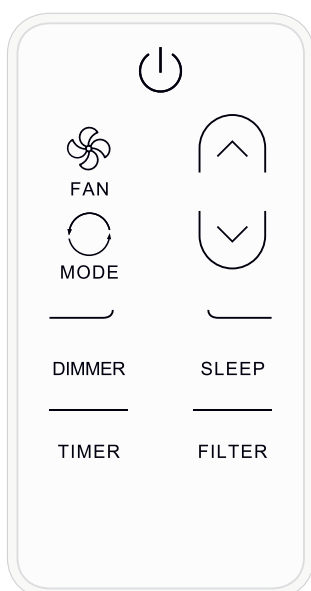


1. Presione el botón CONNECT durante 5 segundos, la luz LED comenzará a parpadear.
2. Después de que el módulo WiFi se conecta en el router, la luz LED permanecerá encendida. O la luz LED se apagará.

**NOTA:** El control WiFi está disponible solo para los modelos con control WiFi.

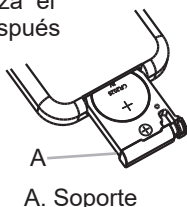
## Uso del mando a distancia

**NOTA:** El control remoto puede diferir en la apariencia.



**NOTA:**

- Quite el parche de plástico aislante en el primer uso.
- Una pila CR2025 (incluida) energiza el control remoto. Cambie la pila después de 6 meses de uso o cuando el control remoto pierda potencia.
- Asegúrese de que la dirección correcta de la polaridad de la célula sea la misma que el indicador en el soporte.
- **Descarte de la pila** Las pilas viejas deben ser eliminadas y desechadas acorde a las normas vigentes ya que son nocivas para el medio ambiente.



## Ventilador

Presione FAN para seleccionar Alta, Media o Baja.

**NOTA:**

En el modo DRY no se puede seleccionar la velocidad del ventilador.



## Modo

Presione MODE para seleccionar Fan, Dry, Cool, ECO.



## Temperatura

- Pulse el botón más "UP" (^) para subir la temperatura. Cada vez que presione o mantenga presionado el botón más "UP" (^), la temperatura aumentará de a un 1° F (1° C) hasta llegar a los 86° F (30° C).
- Presione el botón menos "DOWN" (v) para disminuir la temperatura. Cada vez que presione o mantenga presionado el botón menos "DOWN" (v), la temperatura disminuirá de a un 1° F (1° C) hasta llegar a los 61° F (16° C).



## DIMMER [Atenuador]

Presione el botón DIMMER para apagar la pantalla del panel de control.

DIMMER

**NOTA:**

En el modo DIMMER, los nuevos ingresos del control volverán la pantalla a normal.

## Alimentación

Presione el botón de encendido para encender/apagar el aire acondicionado.





## Suspender

**NOTAS:** Cuando presiona el botón de reposo:

- En el modo Cooling, Dry, ECO, la temperatura establecida aumentará a 4° F (2° C) como máximo durante 2 horas y continuará funcionando a esa temperatura hasta que el automático se apague.
- En el modo Heating, la temperatura disminuirá a 4° F (2° C) como máximo durante 2 horas y continuará funcionando a esa temperatura hasta que el automático se apague.

1. Presione MODE para seleccionar Cool, Dry o ECO.
2. Pulse VENTILADOR para seleccionar Alta, Med o Baja.
3. Presione el botón arriba o abajo para establecer la temperatura.
4. Pulse SUSPENSIÓN. Al cabo de 10 segundos, las luces del panel de control se atenuarán.

**NOTA:** El modo y la temperatura se pueden modificar durante el modo de reposo. La velocidad del ventilador se establece automáticamente a velocidad BAJA.

SLEEP

5. Para desactivar el modo de reposo, presione nuevamente SLEEP o espere 8 horas para que el aire acondicionado se apague automáticamente.

**NOTA:** El climatizador volverá a los ajustes previos después de desactivar el control de suspensión.

## Temporizador

Para establecer el temporizador para el funcionamiento de encendido/apagado con un retraso de 1-24 horas:

1. Presione TIMER en el control remoto, la pantalla LED en el panel de control del aire acondicionado parpadeará.
- TIMER
2. Presione el botón arriba o abajo para cambiar el tiempo de retardo desde 1 hora hasta 24 horas.
  3. Presione TIMER en el control remoto nuevamente para confirmar TIMER, su indicador se encenderá y se encenderá en control del aire acondicionado.
  4. Para cancelar TIMER, presione TIMER en el control remoto y la luz del indicador TIMER se apagará.

## Filtro

1. Cuando la luz del indicador del filtro está encendida, quite, limpie y reemplace el filtro. Consulte "Limpiar el filtro de aire".
2. Presione el botón de encendido en la máquina o el botón FILTER en el control remoto para reiniciar el filtro después de realizar la limpieza y el cambio del filtro del aire.

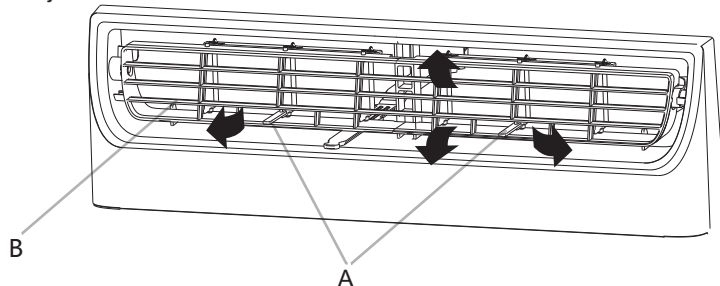
FILTER

### NOTA:

Cuando la luz está encendida, permanecerá encendida por 180 horas o hasta que usted presione el botón Limpiar el Filtro.

## Cambio en la dirección del aire

Utilice el aspa de nivel vertical para dirigir el aire hacia la izquierda o la derecha. Utilice todo el cartucho para dirigir el aire hacia arriba, abajo o adelante.

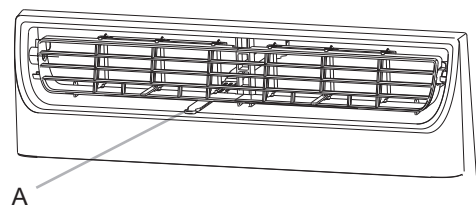


A. Aspa de nivel vertical  
B. Cartucho

## Ventilación del aire de escape

- Abra el control de la ventilación del aire de escape para abrir la ventilación de escape y sacar el aire viciado o el humo de la habitación.
- Presione el control de la ventilación del aire de escape para cerrar la ventilación de escape para una máxima y continua refrigeración.

**NOTA:** El control de la ventilación del aire de escape está solo disponible en los modelos 12K/14K.



A. Control de ventilación del aire de escape

**NOTA:** El control de ventilación del aire de escape funciona solamente cuando el ventilador está funcionando.

## Sonidos normales

Cuando el climatizador funcione con normalidad, es posible que escuche sonidos como:

- Las gotas o el agua que golpean el condensador causan un sonido de click o un tintineo. Las gotas de agua ayudan a enfriar el condensador.
- El movimiento del aire desde el ventilador.
- Chasquidos del ciclo del termostato.
- Vibraciones o ruido por una mala construcción de la pared o la ventana.
- Un zumbido agudo o un ruido pulsando debido al encendido y apagado cíclico del compresor.

## CUIDADO DEL AIRE ACONDICIONADO

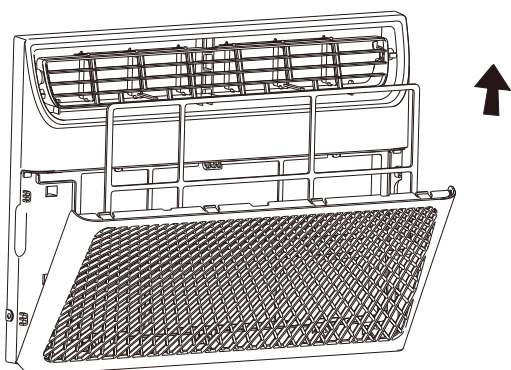
Su aire acondicionado nuevo está diseñado para brindarle muchos años de servicio confiable. Esta sección le dice cómo limpiar y cuidar su aire acondicionado correctamente. Llame a su vendedor local autorizado para realizar el control anual. Recuerde que el costo de la llamada del servicio corre por su cuenta.

### Limpiar el filtro de aire

Es posible extraer el filtro de aire para limpiarlo fácilmente. Un filtro limpio ayuda a remover el polvo, las pelusas y otras partículas del aire y es importante para una mejor refrigeración y funcionamiento eficiente. Compruebe el filtro cada 2 semanas para ver si necesita una limpieza.

NOTA: No opere el aire acondicionado sin el filtro en su lugar.

1. Apague el aire acondicionado.
2. Abra el panel frontal. Agarre el filtro por la manija y quítelo.



3. Utilice una aspiradora para limpiar el filtro del aire. Si el filtro está muy sucio, lávelo con agua tibia y detergente suave. No lave el filtro del aire con detergente para vajillas ni utilice limpiadores químicos. Deje que el filtro se seque completamente al aire antes de volver a colocarlo para garantizar la máxima eficacia.
4. Vuelva a colocar el filtro y cierre el panel frontal.

### Limpeza del panel frontal

1. Apague el aire acondicionado.
2. Limpie el panel frontal con un paño húmedo y suave.
3. Deje secar completamente el panel frontal.

### Reparación de la pintura dañada

Compruebe una o dos veces al año si hay daños en la pintura. Esto es muy importante, especialmente en áreas cerca de océanos o donde haya problemas de oxidación. Si es necesario, retoque con una pintura de esmalte de buena calidad.

### Mantenimiento anual

Su aire acondicionado necesita mantenimiento anual para garantizar un rendimiento estable y superior durante el año. Llame a su vendedor local autorizado para programar el control anual. El costo de la inspección anual corre por su cuenta.

## EXTRACCIÓN DEL AIRE ACONDICIONADO DE LA VENTANA


1. Apague el aire acondicionado y desconecte el cable de alimentación.
2. Quite el sello de la guillotina entre las ventanas y desatornille el seguro.
3. Quite los tornillos instalados en el marco y en el seguro.
4. Quite la goma EVA (solo en los modelos E-star).
5. Cierre la carcasa de la cortina.
6. Sostenga firmemente el aire acondicionado, levante la guillotina y retírela cuidadosamente.
7. Tenga cuidado de no derramar agua mientras levantan la unidad de la ventana. Guarde las piezas junto con el aire acondicionado.



# RESOLUCIÓN DE PROBLEMAS

Antes de llamar al servicio de mantenimiento, pruebe las siguientes recomendaciones para ver si puede resolver el problema sin ayuda.

El aire acondicionado no funciona



Peligro de descarga eléctrica

Enchufe a una toma con 3 clavijas y conexión a tierra.  
No retire la clavija de conexión a tierra.  
No utilice adaptadores.  
No utilice cables alargadores.  
No seguir estas instrucciones puede resultar en muerte, incendio o descarga eléctrica.

- **El cable eléctrico está desenchufado.** Conéctelo a un tomacorriente de 3 patas con conexión a tierra. Refiérase a "Requisitos eléctricos".
- **El cable de alimentación salta (el botón de reinicio salta).** Presione RESET y suéltelo (escuche un clic; el botón de reinicio se detendrá y, en algunos dispositivos, se encenderá una luz verde) para volver al funcionamiento.
- **Se quemó un fusible o el disyuntor saltó.** Sustituya el fusible o restablezca el interruptor. Si el problema persiste, llame a un electricista. Refiérase a "Requisitos eléctricos".
- **No se presionó el botón encendido.** Presione el botón de encendido.
- **Ha habido un fallo eléctrico local.** Espere a que se restaure la alimentación.

El climatizador hace que salten los fusibles o se dispare el interruptor.

- **Se están utilizando demasiados aparatos en el mismo circuito.** Desenchufe o reubique los aparatos que compartan el mismo circuito.
- **Se utiliza un fusible de retardo o el interruptor de una capacidad incorrecta.** Sustitúyalo por un fusible de retardo o el interruptor de la capacidad correcta. Refiérase a "Requisitos eléctricos".
- **Se utiliza un cable de extensión.** No utilice un cable de extensión con este u otro electrodoméstico.
- **Está tratando de reiniciar el aire acondicionado demasiado rápido después de haberlo apagado.** Espere al menos 3 minutos después de apagar el aire acondicionado antes de intentar reiniciarlo.

El cable de alimentación del aire acondicionado salta (el botón de reinicio salta)

- **Las alteraciones en la corriente eléctrica pueden hacer saltar (el botón de reinicio saltará) el cable de alimentación.** Presione RESET y suéltelo (escuche un clic; el botón de reinicio se detendrá y, en algunos dispositivos, se encenderá una luz verde) para volver al funcionamiento.
- **La sobrecarga eléctrica, el sobrecalentamiento, el cable apretado o uno viejo pueden hacer saltar (el botón de reinicio saltará) el cable de alimentación.** Después de corregir el problema, presione RESET y suéltelo (escuche un clic; el botón de reinicio se detendrá y, en algunos dispositivos, se encenderá una luz verde) para volver al funcionamiento.

NOTA: Se debe reemplazar el cable de alimentación dañado por un cable nuevo que se obtiene del fabricante; no se debe reparar.

El climatizador parece funcionar demasiado.

- **El climatizador actual ha sustituido un modelo antiguo.** El uso de componentes más eficientes podría provocar que el climatizador funcione más tiempo que un modelo antiguo, pero que el consumo energético total sea inferior. Los aires acondicionados más nuevos no emiten la "ráfaga" de aire frío a la que puede estar acostumbrado por los aires acondicionados viejos, pero esto no indica menos capacidad de enfriado o eficiencia. Consulte el coeficiente de eficiencia energética (EER) y la calificación de capacidad (en Btu/h) marcados en el climatizador.
- **El aire acondicionado está en una habitación muy ocupada o se están utilizando electrodomésticos que emiten calor en la habitación.** Utilice ventiladores mientras cocina o se baña y trate de no utilizar electrodomésticos que emitan calor durante la parte más calurosa del día. Es posible que sea necesaria una mayor capacidad del climatizador, según el tamaño de la sala a enfriar.

El aire acondicionado se apaga y se prende con frecuencia o no enfría

- **El climatizador no tiene un tamaño adecuado para la sala.** Verifique las capacidades de enfriado de su aire acondicionado. Los aires acondicionados no están diseñados para refrigerar múltiples habitaciones.
- **El filtro está sucio u obstruido por restos.** Limpie el filtro.
- **Las bobinas del evaporador interno y del condensador externo están sucias u obstruidas por residuos.** Refiérase al mantenimiento anual.
- **Hay calor o humedad excesiva (cocinas abiertas, duchas, etc.) en la habitación.** Utilice un ventilador para extraer el calor o la humedad de la sala. Trate de no utilizar electrodomésticos que emitan calor durante la parte más calurosa del día.
- **Las rejillas están bloqueadas.** Instale el climatizador en un lugar donde las rejillas no estén obstruidas por cortinas, persianas, muebles, etc.

- **La temperatura de la habitación que está intentando enfriar es extremadamente calurosa.** Permita más tiempo para que el aire acondicionado enfríe la habitación calurosa.
- **Las ventanas o las puertas están abiertas.** Cierre las ventanas y las puertas.
- **El control de temperatura no está en una configuración lo suficientemente fría.** Modifique el control de temperatura a un ajuste más frío al presionar el botón menos para reducir la temperatura. Establezca el control de la velocidad del ventilador a un ajuste más alto.

---

#### **Cae agua desde la parte trasera de la unidad.**

---

- **Puede ver que el agua cae desde la parte trasera de la unidad.** El agua se puede recolectar con la bandeja de la base cuando hay mucha humedad o en días lluviosos. El agua fluye y gotea en la parte trasera de la unidad.

---

#### **Caen gotas de agua desde el gabinete en su hogar**

---

- **El aire acondicionado no está correctamente nivelado.** El aire acondicionado debería inclinarse un poco hacia afuera. Nivele el aire acondicionado para brindar la inclinación hacia afuera y garantizar un drenaje correcto. Refiérase a "Instrucciones para la instalación".

**NOTA:** No perforo la parte inferior de la base de metal ni la bandeja de condensado.

