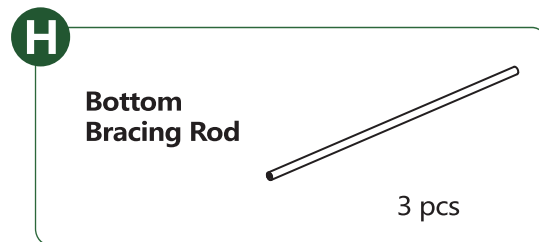
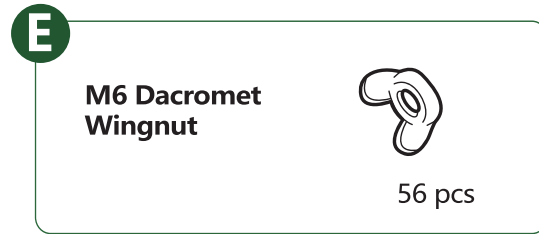
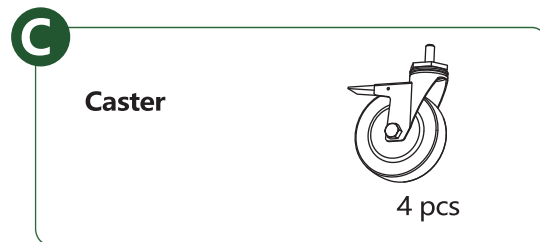
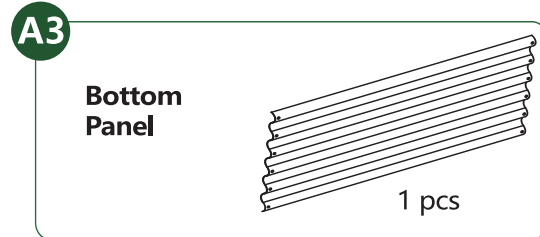
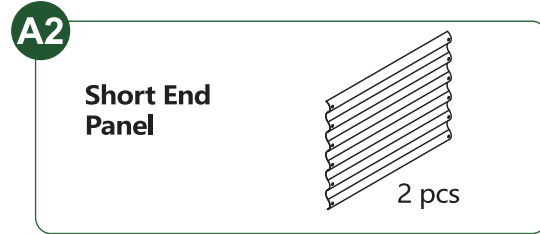
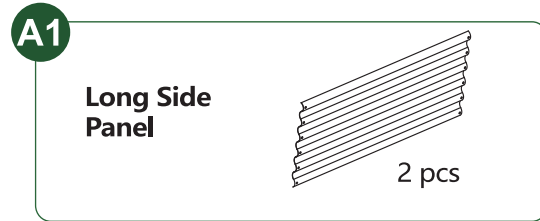


PACKING LIST



Anleolife provides different shapes, different lengths & heights, different colors, you can do more with your great imagination.

	ANG001	ANG002	ANG003	ANG004
Shape	Oval	Oval	Oval	Oval
Dimension	72"x36"x24"H	72"x36"x24"H	96"x48"x24"H	96"x48"x24"H
Color	Quartz Grey	Antique White	Quartz Grey	Antique White
Package	1 Pack	1 Pack	1 Pack	1 Pack

	ANG005	ANG006	ANG007	ANG008
Shape	Round	Round	Retangular	Retangular
Dimension	48"x48"x18"H	48"x48"x18"H	96"x48"x18"H	96"x48"x18"H
Color	Quartz Grey	Antique White	Quartz Grey	Antique White
Package	2 Pack	2 Pack	1 Pack	1 Pack

	ANG009	ANG010	ANG011	ANG012
Shape	Retangular	Oval	Oval	Oval
Dimension	72"x36"x18"H	72"x24"x18"H	96"x48"x18"H	144"x36"x18"H
Color	Quartz Grey	Quartz Grey	Quartz Grey	Quartz Grey
Package	1 Pack	1 Pack	1 Pack	1 Pack

	ANG013	ANG014	ANG015	ANG016
Shape	Oval	Hexagonal	Hexagonal	U-Shape
Dimension	144"x36"x18"H	70"x60"x18"H	70"x60"x18"H	74"x74"x18"H
Color	Antique White	Quartz Grey	Antique White	Quartz Grey
Package	1 Pack	1 Pack	1 Pack	1 Pack

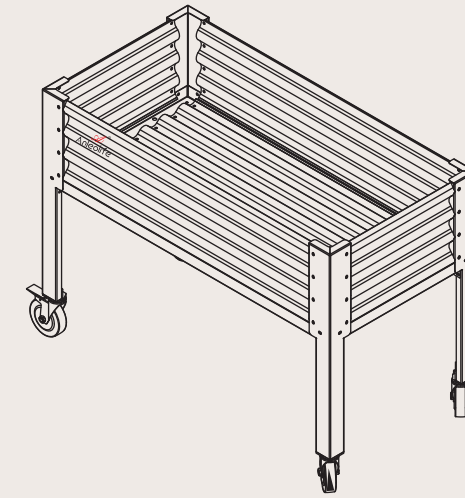
	ANG017	ANG018	ANG019	ANG020
Shape	U-Shape	L-Shape	L-Shape	Heart-Shape
Dimension	74"x74"x18"H	74"x74"x18"H	74"x74"x18"H	81"x81"x18"H
Color	Antique White	Quartz Grey	Antique White	Quartz Grey
Package	1 Pack	1 Pack	1 Pack	1 Pack

	ANG021	ANG022	ANG023	ANG024
Shape	Heart-Shape	Elevated Bed	Elevated Bed	Round
Dimension	81"x81"x18"H	48"x24"x35"H	48"x24"x35"H	35"x35"x24"H
Color	Antique White	Quartz Grey	Antique White	Quartz Grey
Package	1 Pack	1 Pack	1 Pack	2 Pack



Enjoy Your Garden Time

Anleolife



INSTRUCTION MANUAL

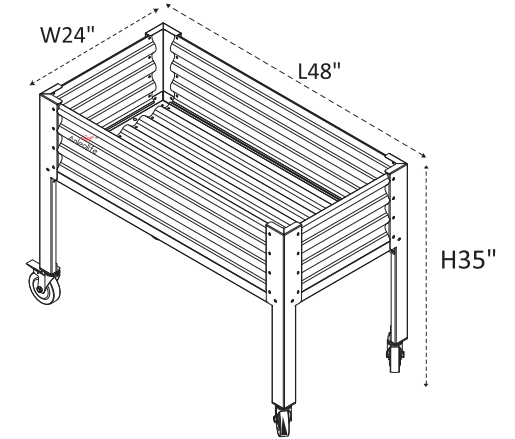
Galvanized Raised Garden Bed

ANG022 / ANG023

Rectangular Raised Garden Bed

Instructions for Assembly

Dimension L48"x W24" x H35"



DUE TO THE MANUFACTURING PROCESS BED SIZING MAY VARY +/-2"(50MM)

TOOLS PROVIDED



Screwdriver



A pair of gloves



2 PERSON ASSEMBLY



UP TO 45 MIN. ASSEMBLY

Tip: If possible, an electric drill could be recommended for shortening your installing time.

HELP CENTER

If you need any help, please feel free to contact us anytime. We are here to help. Visit us at: www.anleolifeshop.com

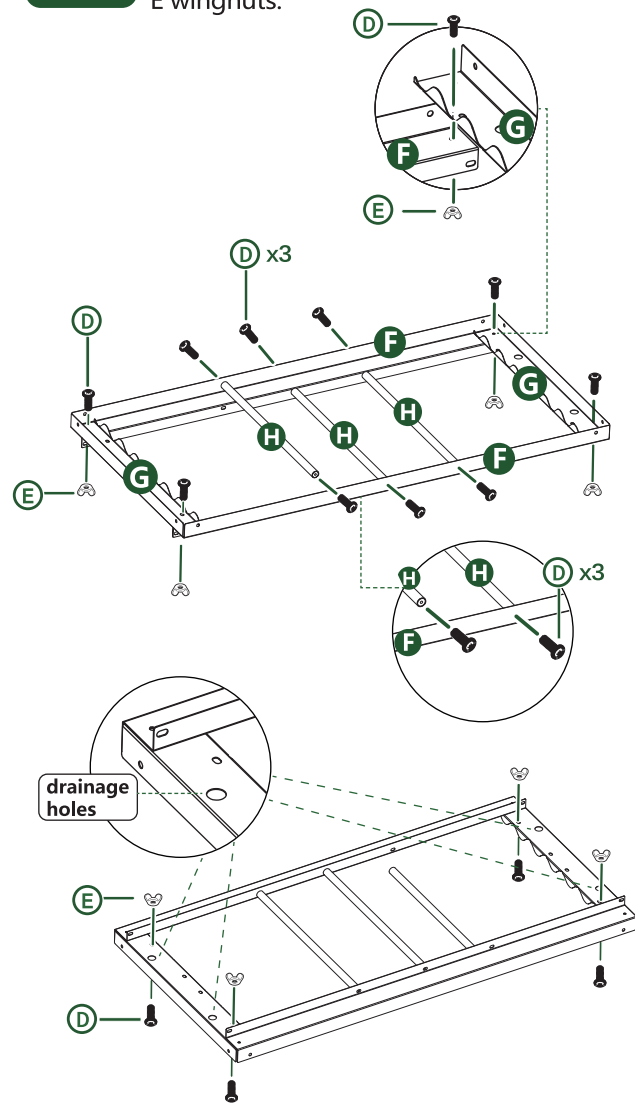


Color your Gardenlife

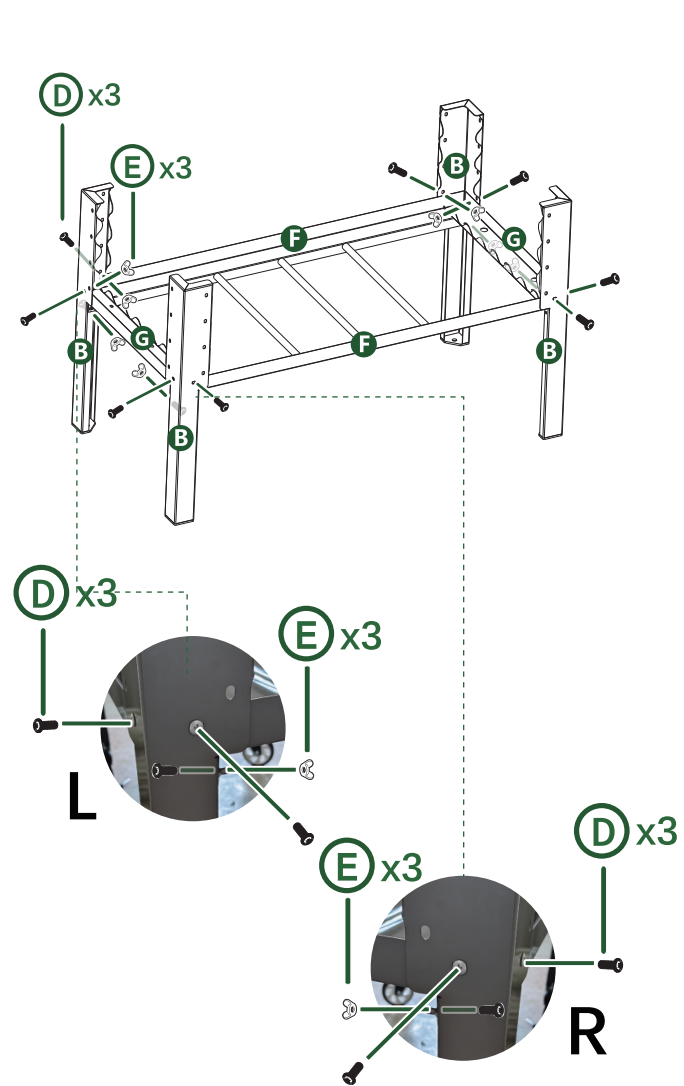
Color your Gardenlife

ASSEMBLY STEPS:

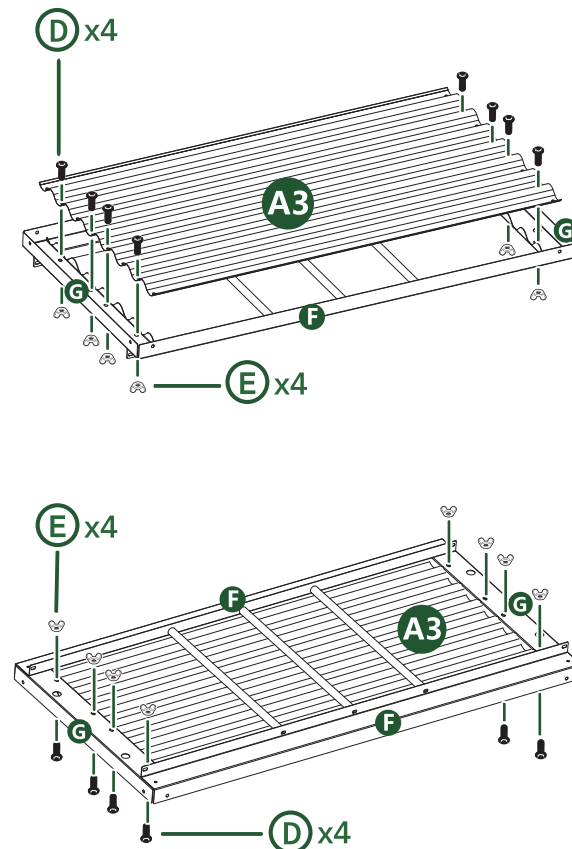
1 Attach two F long Support brackets, two G short Support brackets & three H bottom Bracing rods, secure them with D screws & E wingnuts.



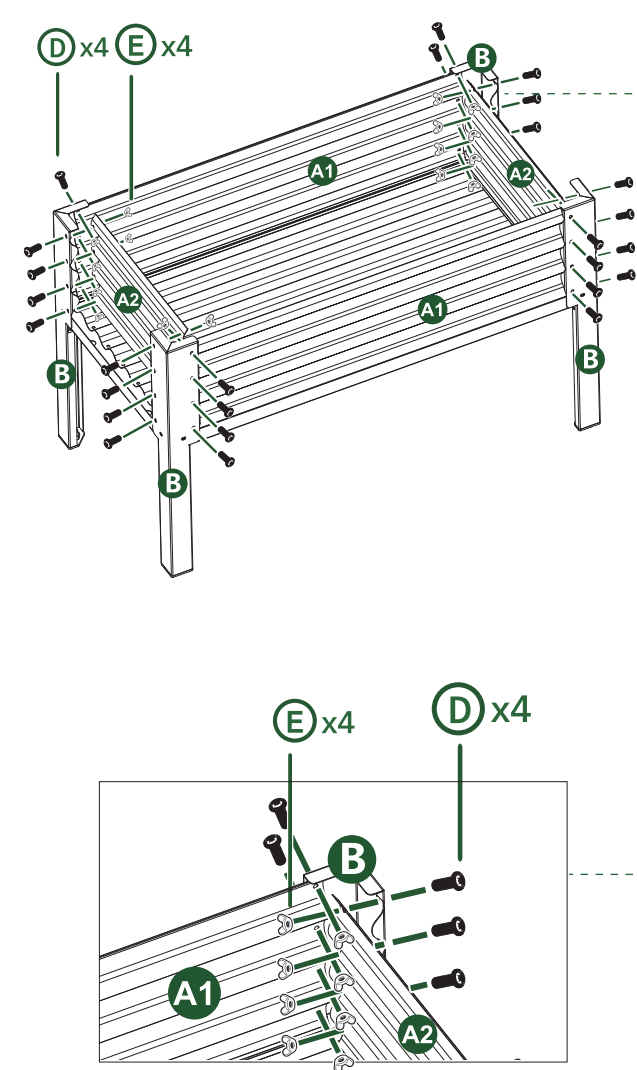
2 Attach four B footposts to the parts connected in the step one, secure them with three D screws & E wingnuts.



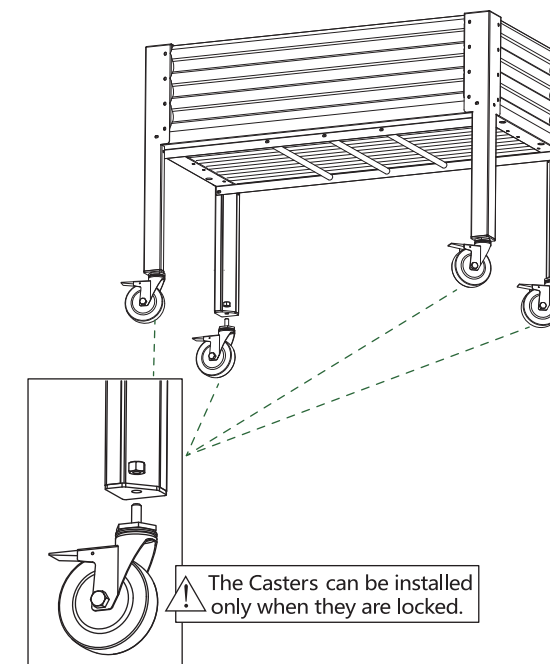
3 Attach A3 Bottom panel to two G short Support brackets, secure them with four D screws & E wingnuts each side.



4 Connected last two A1 long Side panel & two A2 short End panel, secure them with D screws & E wingnuts.



5 Secure four C Casters on the legs.



⚠ The Casters can be installed only when they are locked.

⚠ IMPORTANT NOTICE

- Be aware the item is heavy, please use with caution if you are under the age of 18, it can only be used under the supervision and assistance of an adult.
- The item can only be used for gardening, planting and can not be tilted or turned over randomly. Additionally, all four casters must simultaneously stand on the ground or other stable surfaces all the time
- The item can not be placed on sloped or uneven surfaces; it can only be placed on flat ground without locking the wheels which can remain stationary.
- Please firmly secure and tighten all screws, wingnuts, and fasteners after completed the assembly steps.
- All casters must be locked (wheels cannot rotate) for assembly. In case of any accidents, please locked all the casters immediately after finished all the movements.
- For safety, please regularly check the conditions around the bed to avoid any external or human forces, such as ground subsidence, accidental collisions, pushing etc. which may lead to tipping over or colliding with people or any property, resulting injuries or incidents.