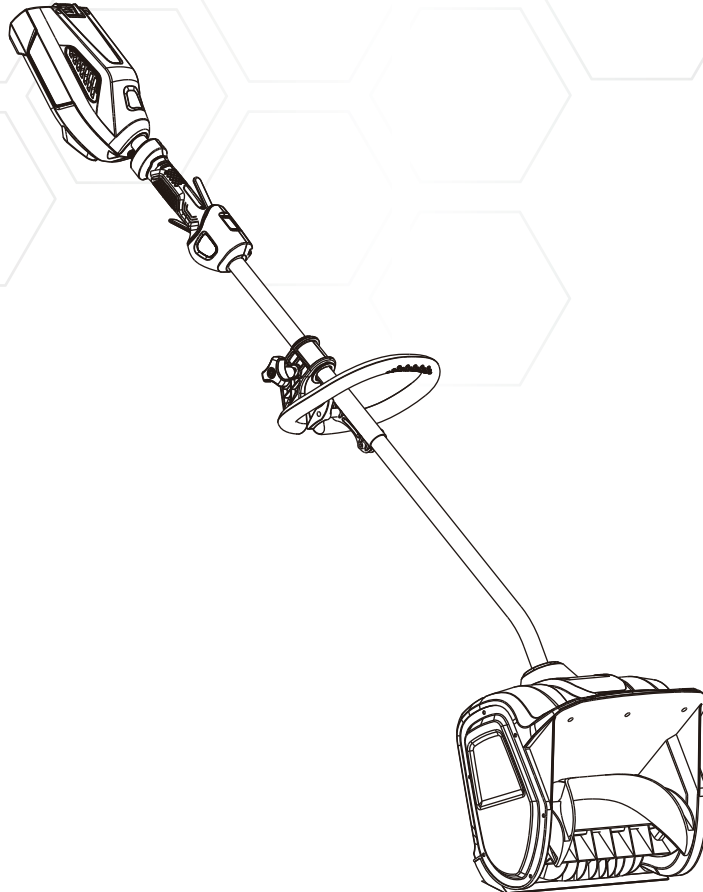


KOBALT™



ITEM #0727249

40 V SNOW SHOVEL

MODEL #KSS 2540A-06

Español p. 18


US
218549

ATTACH YOUR RECEIPT HERE

Serial Number _____ **Purchase Date** _____



Questions, problems, missing parts? Before returning to your retailer, call our customer service department at **1-888-3KOBALT** (1-888-356-2258), 8 a.m. - 8 p.m., EST, Monday - Friday.

AB17609

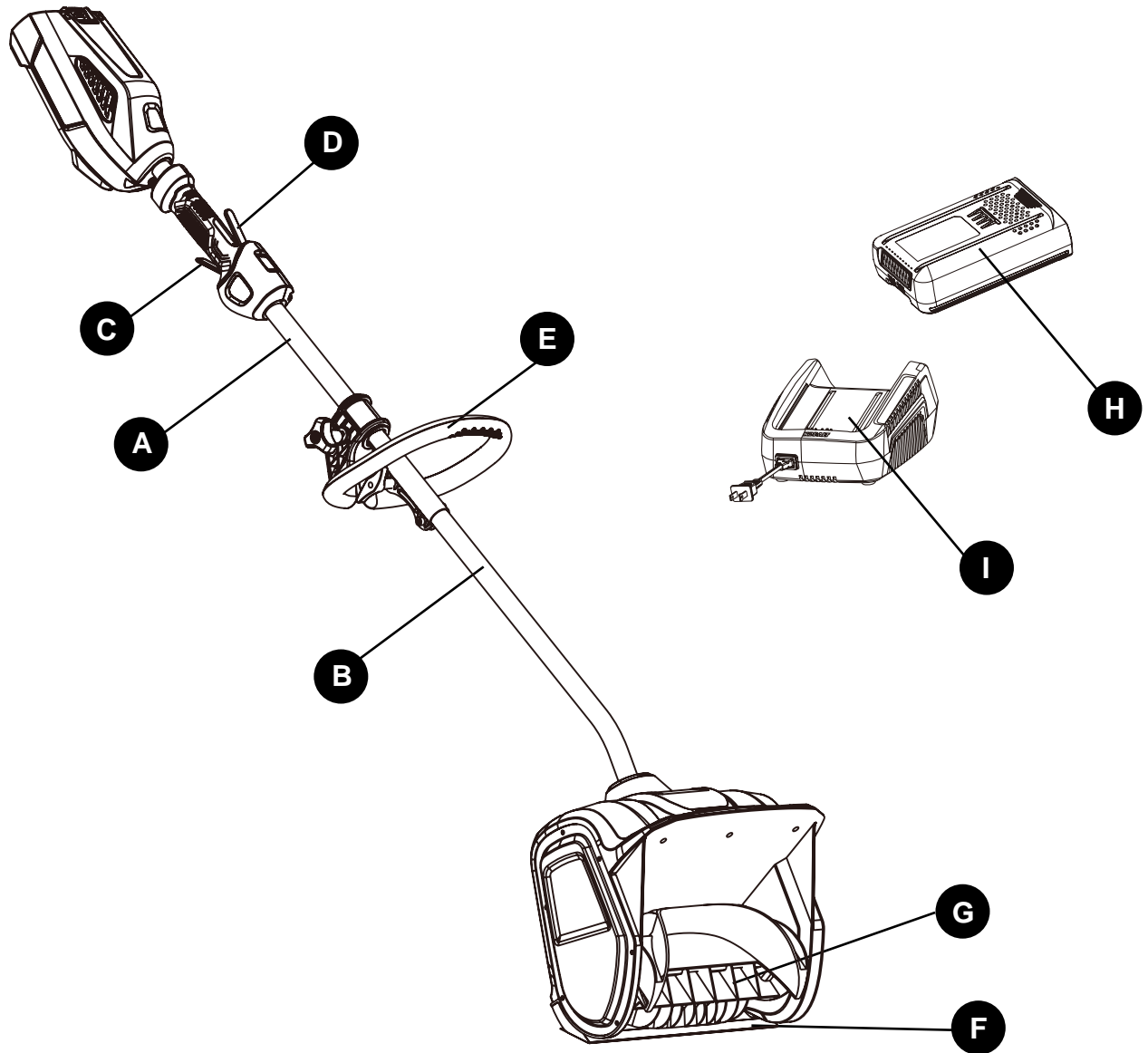
TABLE OF CONTENTS

Product Specifications.....	2
Package Contents.....	3
Hardware Contents.....	4
Symbols.....	5
Safety Information	7
Preparation.....	9
Assembly Instructions	9
Operating Instructions	11
Care and Maintenance.....	12
Troubleshooting.....	15
Warranty.....	16
Replacement Parts List.....	17

PRODUCT SPECIFICATIONS

SPECIFICATIONS	
Type	Cordless, battery-operated
No-load speed	1,800 RPM
Clearing width	12 in. (30 cm)
Clearing depth	4 in. (10 cm)
Impeller size	11 in. (28 cm)
Discharge distance	20 ft. (6 m)
Weight (without battery)	16 lbs. (7.3 kg)

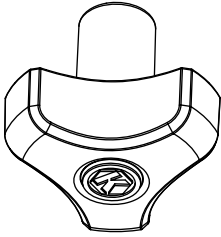
PACKAGE CONTENTS



PART	DESCRIPTION	QUANTITY
A	Upper Handle Assembly	1
B	Lower Handle Assembly	1
C	Trigger	1
D	Lock-off Lever	1
E	Front/Auxiliary Handle	1
F	Scraper	1
G	Impeller	1
H	Battery	1
I	Charger	1

HARDWARE CONTENTS (not shown actual size)

AA



Fastening Knob

Qty. 1

BB



Screws
(preassembled)

Qty. 4

CC














Bolt

Qty. 1




SYMBOLS

Some of the following symbols may be used on this product. Please study them and learn their meaning. Proper interpretation of these symbols will allow you to operate the product better and safer.


SYMBOLS	NAME	DESIGNATION/EXPLANATION
V	Volts	Voltage
A	Amperes	Current
Hz	Hertz	Frequency (cycles per second)
Wh	Watt Hour	Energy Storage Capacity
Ah	Amp Hour	Current Capacity
---	Direct Current	Type or a characteristic of current
RPM	Rotating Speed	Revolutions per minute
/min	Per Minute	Revolutions, strokes, surface speed, orbits etc., per minute
	Wet Conditions Alert	Do not expose to rain or use in damp locations.
	Read The Operator's Manual	To reduce the risk of injury user must read and understand operator's manual before using this product.
	Eye Protection	Always wear eye protection with side shields marked to comply with ANSI Z87.1 when operating this equipment.
	Safety Alert	Precautions that involve your safety.
	Hand and Feet	Keep hands and feet away.
	Safe Distance	Keep bystanders a safe distance from the machine.
	Stop the Machine	Stop the motor and remove the battery before leaving the machine.
	Moving Parts	Stay away from moving parts. Keep all guards and shields in place.
	Thrown objects	Thrown objects can ricochet and result in personal injury or property damage.
	Hand and feet	Keep hands and feet away from rotating impeller.
	Hand	Keep hands away from the discharge area.

SYMBOLS

The following signal words and meanings are intended to explain the levels of risk associated with this product.

SYMBOL	SIGNAL	MEANING
	DANGER	Indicates an imminently hazardous situation, which, if not avoided, will result in death or serious injury.
	WARNING	Indicates a potentially hazardous situation, which, if not avoided, could result in death or serious injury.
	CAUTION	Indicates a potentially hazardous situation, which, if not avoided, may result in minor or moderate injury.
	CAUTION	(Without Safety Alert Symbol) Indicates a situation that may result in property damage.

WARNING

- To avoid serious personal injury, do not attempt to use this product until you have read this Owner's Manual thoroughly and understand it completely. If you do not understand the warnings and instructions in this Owner's Manual, do not use this product.
Call 1-888-356- 2258 for assistance.
-  The operation of any power tool can result in foreign objects being thrown into your eyes, which can result in severe eye damage. Before operating a power tool, always wear safety goggles, safety glasses with side shields, or a full face shield when needed. A Wide Vision Safety Mask is recommended for use over eyeglasses or standard safety glasses with side shields. Always use eye protection that is marked to comply with ANSI Z87.1.



SAFETY INFORMATION



WARNING

Read and understand all instructions before using this product. Failure to follow all instructions listed below may result in electric shock, fire, and/or serious personal injury.

- Walk. Do not run.
- Verify that the power tool is not in contact with anything before turning it on.
- Stay away from impeller openings at all times. Keep face, hands, and feet away from concealed, moving, or rotating parts.
- Be attentive when using the power tool. Stay alert for holes in the terrain and other hidden hazards or traffic.
- Move up and down slopes when clearing snow. Do not go across a slope. Use caution when changing direction. Do not use this power tool to clear snow from steep slopes.
- Do not operate the power tool if the guards, plates, and other safety protective devices are not in place.
- Do not operate the power tool near glass enclosures, automobiles, trucks, window wells, drop-offs, etc., without properly adjusting the angle of the snow discharge. Keep children and pets away from the work area.
- Do not operate the power tool at high speeds on slippery surfaces. Look behind when backing up and exercise caution.
- Wear safety glasses or goggles that meet ANSI Z87.1 standards.
- Use the power tool in daylight or in good artificial light.
- To avoid accidental start-ups, remain in the starting position when turning the power tool on. The operator and the power tool must be in a stable position during start-up. See the section titled Starting/Stopping Instructions.
- Use this power tool only for the purposes it was designed.
- Hold the power tool with both hands while it is in use. Keep a firm grip on the handles.
- If the impeller does not rotate freely due to ice, thaw the power tool thoroughly before attempting to use it.
- Keep the impeller clear of debris.
- Do not attempt to clear the impeller while the motor is running.
- After striking a foreign object, turn the power tool off and remove the battery pack, then inspect it for damage. Repair any damage before restarting and using the power tool.
- If the power tool starts to vibrate abnormally, stop the power tool immediately and attempt to determine the cause. Vibration is generally an indication of danger.
- Stop the motor and remove the battery pack whenever the operator is not in the operating position, before unclogging the impeller, and before making any repairs, adjustments, or inspections.
- Do not use on graveled surface unless the power tool is adjusted for such a surface in accordance with the operator's manual.
- Keep Children Away – All visitors should be kept a safe distance from work area.
- Dress Properly – Do not wear loose clothing or jewelry. They can be caught in moving parts.
- Wear rubber boots when operating the power tool. Do not operate the equipment when barefoot or wearing open sandals. Always wear substantial footwear.
- Operation of the power tool in the hand-held position is unsafe, except in accordance with the special instructions for such use provided in the operator's manual.
- Keep guards in place and in working order.
- Don't Force Power Tool – It will perform better and safer at the rate for which it was designed.
- Don't Overreach – Keep proper footing and balance at all times.



SAFETY INFORMATION

- If the power tool strikes a foreign object, follow these steps:
 - i) Stop the power tool.
 - ii) Inspect for damage.
 - iii) Repair any damage before restarting and operating the power tool.
- Store Idle Power Tool Indoors – When not in use, power tools should be stored indoors in dry, locked-up place out of reach of children.
- Maintain Power Tools With Care – Follow instructions for lubricating and changing accessories.
- Allow the power tool to run for a few minutes after clearing snow in order to prevent moving parts from freezing.
- Only use identical replacement parts and accessories for this power tool. The use of nonidentical parts or accessories could lead to serious injury to the user or damage the power tool, and will void the warranty.
- Do not pick up the power tool while it is running. The power tool is designed to travel along the ground.
- Never allow children to operate a power tool. Keep the area of operation clear of all persons, particularly small children, and pets.
- Thoroughly inspect the area where the equipment is to be used and remove all stones, sticks, wires, bones, and other foreign objects.
- Stop the blade(s) when crossing gravel drives, walks, or roads.
- Use only 40-volt Kobalt batteries.
- Read the operating and service instruction manual carefully. Be thoroughly familiar with the controls and the proper use of the equipment.

GENERAL SAFETY RULES

- Verify that the power tool is secure while transporting.
- Store the power tool in a dry area that will prevent unauthorized use or damage. Keep out of the reach of children.
- Keep handles dry, clean, and free of debris. Clean the power tool after each use. Refer to the Maintenance Section in this manual for more information.
- If the labels on the power tool become defaced or start to lift off, contact customer service at 1-888-356-2258.
- Keep these instructions in a safe place for future reference. Refer to them often and use them to instruct other users. Anyone who uses this power tool must read these instructions carefully.
- Maintain the power tool with care. Follow the instructions for lubricating and changing accessories.

PREPARATION

Before beginning assembly of product, make sure all parts are present. Compare parts with package contents list and hardware contents list. If any part is missing or damaged, do not attempt to assemble the product.

Estimated Assembly Time: 5 minutes

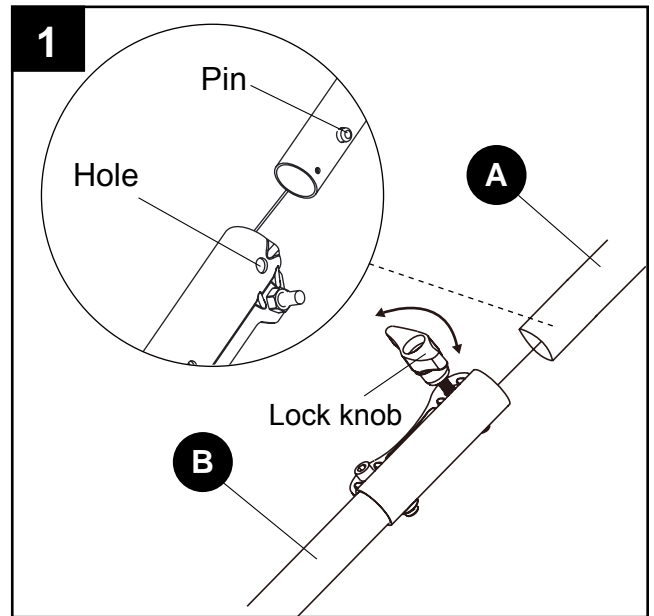
ASSEMBLY INSTRUCTIONS

WARNING

To prevent accidental starting that could cause serious personal injury, always remove the battery pack from the tool when assembling parts.

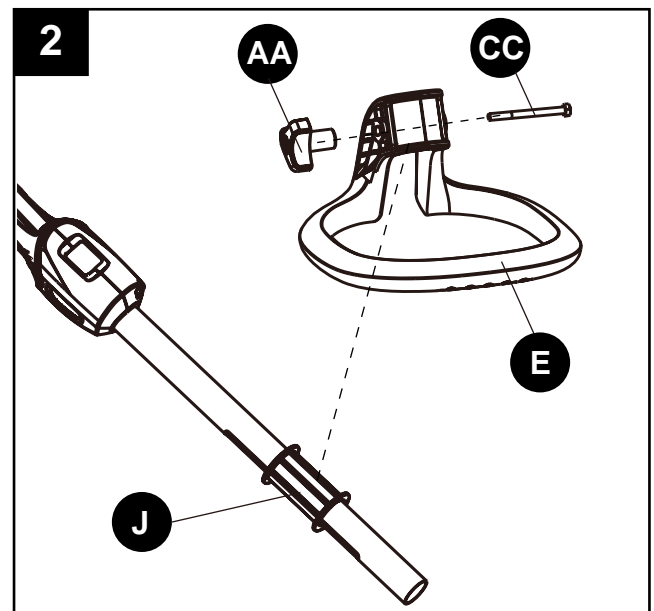
1. Assembling the shafts

- Align the pin on the upper handle assembly (A) with the hole on the lower handle assembly (B). Insert the upper handle assembly into the lower handle assembly until the pin clicks into the hole.
- Once the two shafts are secured, turn the lock knob clockwise until it is fully tightened.



2. Adjusting the auxiliary handle position

- Position the front/auxiliary handle (E) onto the upper portion of the shovel section by sliding over the rubber sleeve (J).
- Once the front handle is in the desired position, slide the bolt (CC) through the underside of the handle and secure with the fastening knob (AA). Tighten until there is no movement in the handle.
- The front handle can be adjusted to a suitable position.



ASSEMBLY INSTRUCTIONS

! IMPORTANT: The battery pack is not charged when it is purchased. Before using the snow shovel for the first time, place the battery pack in the battery charger and charge.

3a. To install battery

- Align the battery (H) with the cavity in the snow shovel housing.
- Insert the battery until the battery release button locks into place. You should hear a “click” once it is installed.

Note: The battery can only be installed one way.

3b. To remove battery

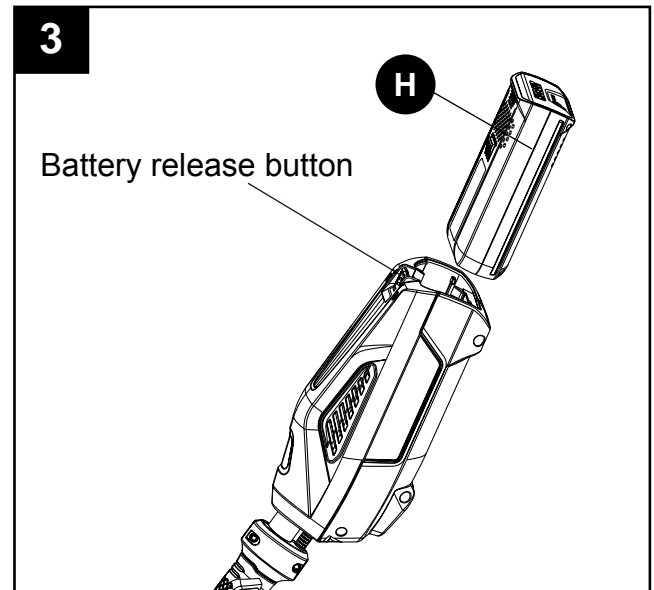
- Press the battery release button on the snow shovel. This will cause the battery to raise out of the tool slightly.
- Grasp the tool firmly and pull the battery out of the handle.

Note: The battery fits into the handle snugly in order to prevent accidental dislodging.

! WARNING

Follow these instructions in order to avoid injury and to reduce the risk of electric shock or fire:

- Replace the battery pack or the charger immediately if the battery case or charger cord is damaged.
- Verify that the switch is in the OFF position before inserting or removing the battery pack.
- Verify that the battery pack is removed and the switch is in the OFF position before inspecting, adjusting, or performing maintenance on any part of the snow shovel.
- Read, understand, and follow the instructions contained in the charger manual.



OPERATING INSTRUCTIONS

WARNING

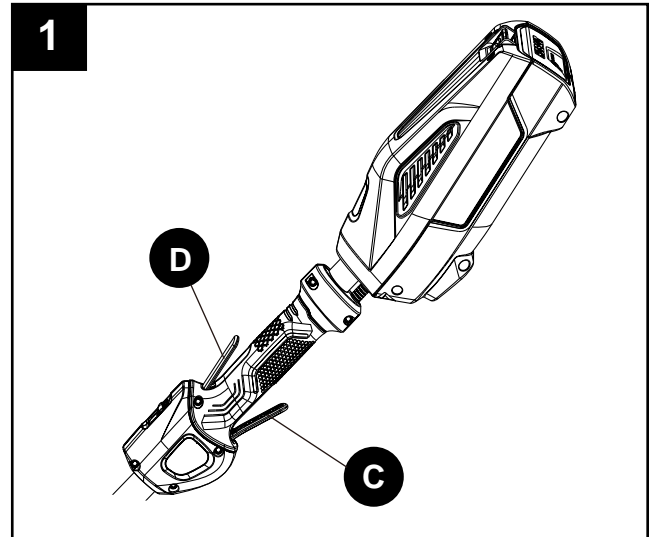
To avoid injury:

- Do not squeeze the trigger while the shovel is inverted.
- Do not carry the snow shovel with your finger on the switch. Avoid unintentional starting.

1. To turn on/off:

- Press the lock-off lever (D). Squeeze the trigger (C) to start.
- Release the trigger (C) to stop.

Note: The lock-off lever must be engaged before the trigger is active. Once the trigger is engaged, release the lock-off lever.



2. Using the snow shovel

- Start the snow shovel by following the starting instructions. The depth and weight of the snow will determine the forward speed.
- Push the snow shovel forward so that it rides on the scraper.



CARE AND MAINTENANCE

1. Transporting the snow shovel

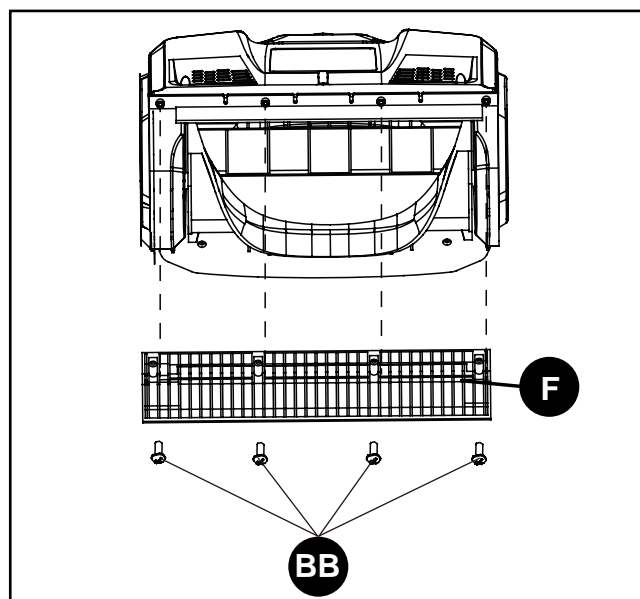
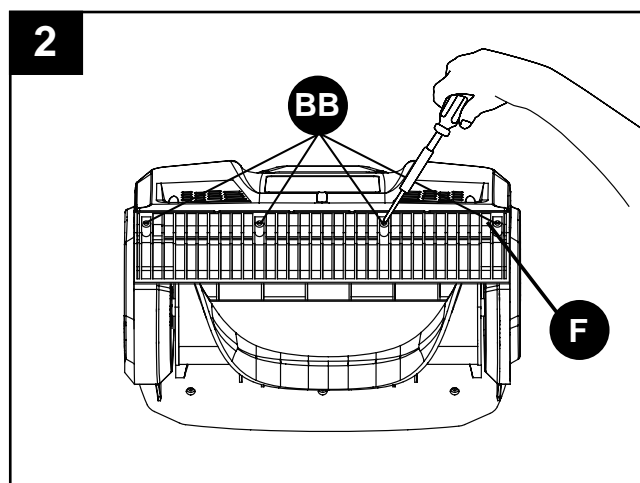
- Allow the motor to cool down before transporting.
- Secure the snow shovel while transporting.
- When moving the snow shovel, grasp it by the top handle and auxiliary handle.



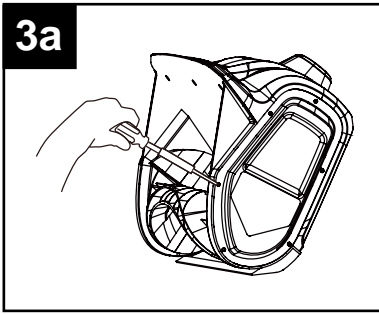
2. Scraper replacement

! IMPORTANT: Always remove the battery from the tool before performing any maintenance on it.

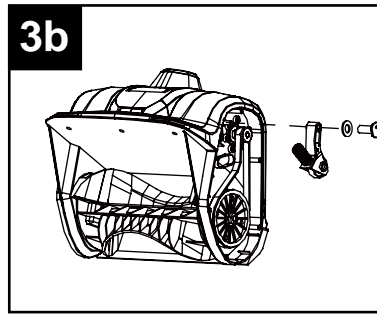
- Place the snow shovel on the ground or on a work bench. Position the snow shovel so that the impeller is facing up.
- Remove the four screws (BB) that are located beneath the impeller that secure the scraper (F) to the housing using a Phillips screwdriver (not included).
- Remove the scraper and discard it in the proper manner.
- Snap the new scraper into position and attach it to the snow shovel by reinstalling the four screws (BB).



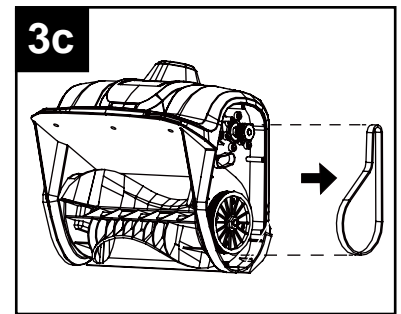
3. Impellor replacement



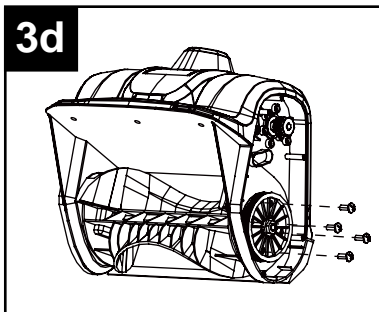
- Remove the right side cover by removing 6 screws.



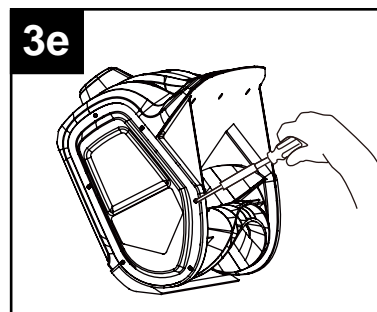
- Pull the belt tensioner (idler arm) away from the drive pulley. Be sure not to lose the washer and screw left.



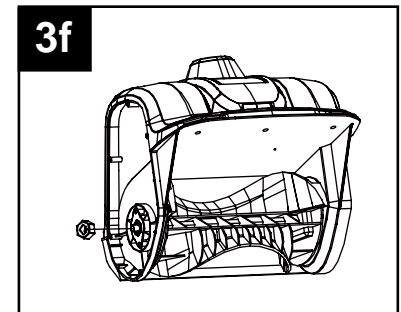
- Remove the belt.



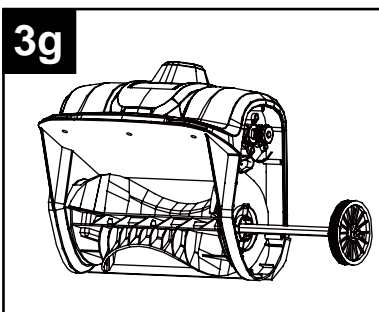
- Remove the 4 screws .



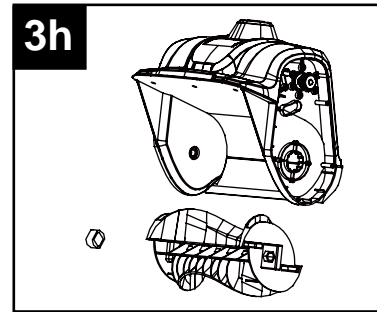
- Remove the left side cover by removing 6 screws.



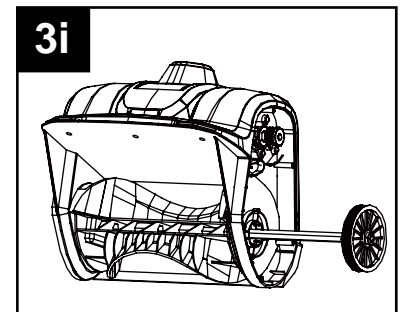
- Remove the nut that secures the left side plate.



- Remove the impellor shaft with pulley assembly attached.

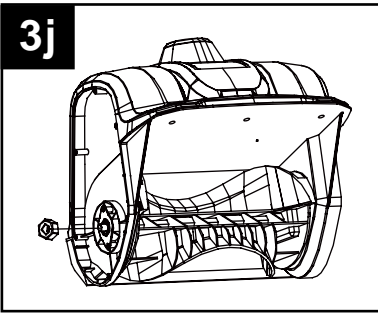


- Discard the old/damaged impellor. Be sure not to lose the shaft sleeve that secures the left side of the shaft.

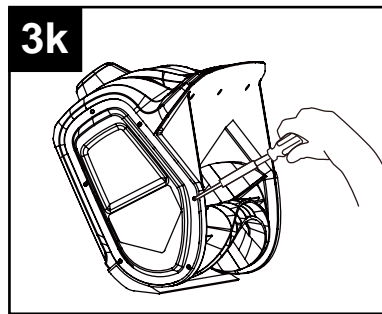


- Insert the impellor shaft with pulley assembly attached in the new impellor. Be sure to replace the retained shaft sleeve that secures left side of the shaft.

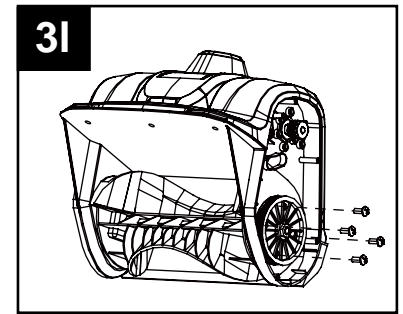
CARE AND MAINTENANCE



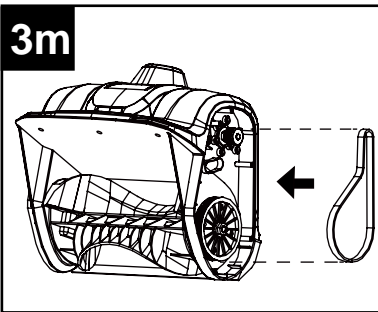
- Replace and tighten the remaining nut to secure the left side plate assembly.



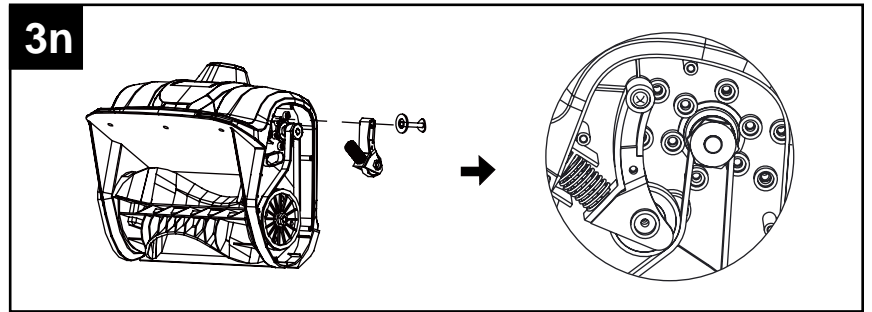
- Replace and tighten the remaining screws to secure the left side cover.



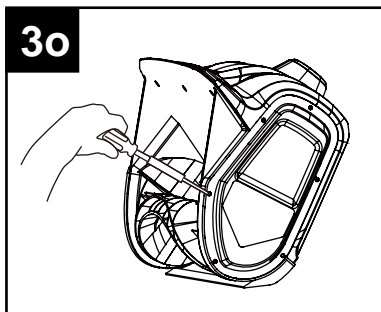
- Replace and tighten the remaining screws to secure the pulley assembly.



- Place the belt back into its place.



- Place the belt tensioner (idler arm) back into its place.



- Replace and tighten the remaining screws to secure the right side cover.

CARE AND MAINTENANCE

WARNING

In order to avoid personal injury and the risk of fire and electric shock, remove the battery pack before adjusting, inspecting, or cleaning the snow shovel.

STORAGE

- Allow the motor to cool down before storing.
- Store the snow shovel in a locked location in order to prevent unauthorized use or damage.
- Store the snow shovel in a dry, well-ventilated area.
- Store the snow shovel out of the reach of children.

CLEANING

In order to avoid serious personal injury, turn the snow shovel off and remove battery before cleaning or servicing.

Use a small brush to clean the outside of the snow shovel. Do not use strong detergents. Household cleaners that contain aromatic oils such as pine and lemon, and solvents such as kerosene, can damage the plastic housing and handles. Wipe off any moisture using a soft cloth.

TROUBLESHOOTING

PROBLEM	POSSIBLE CAUSE	CORRECTIVE ACTION
The snow shovel does not start.	The battery is not charged.	Charge the battery according to the instructions included with your model.
	The lock-off lever or trigger were not used properly.	Press the lock-off lever. Squeeze the trigger to start (see page 11).
	Battery is too cold.	Remove battery from snow shovel. Place battery on charger and allow to charge for 10 minutes. Remove from charger and install in snow shovel for use.
	The battery is not fully inserted into the housing.	Check if the battery is fully inserted into the housing.
	Battery may require service or replacement.	Call customer service at 1-888-356-2258 or replace battery.
The motor is on but the rotor does not turn.	The belt is damaged.	Replace the belt (see "IMPELLOR REPLACEMENT" on page 13-14).
The snow shovel leaves a thin layer.	The scraper is worn.	Replace the scraper (see page 12).

WARRANTY

5-YEAR LIMITED WARRANTY

This 40 V Lithium-Ion snow shovel is warranted to the original purchaser from the original purchase date for five (5) years subject to the warranty coverage described herein.

This 40 V Lithium-Ion snow shovel is warranted for the original user to be free from defects in material and workmanship.

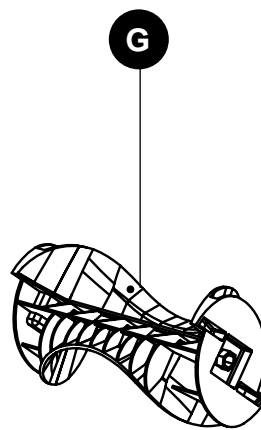
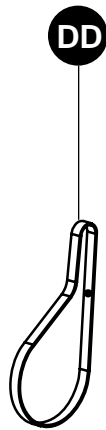
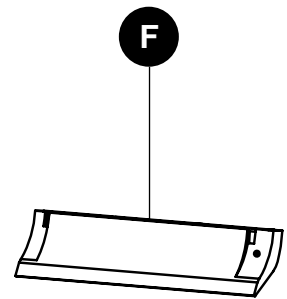
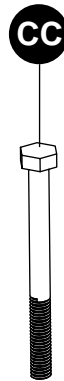
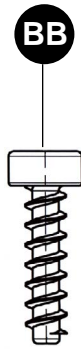
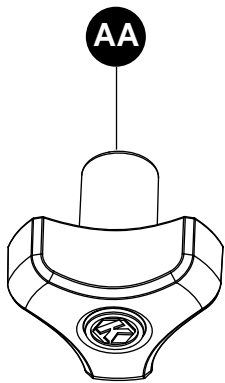
If you believe that the 40 V Lithium-Ion snow shovel is defective at any time during the specified warranty period, simply return the 40 V Lithium-Ion snow shovel along with proof of purchase to the place of purchase for a free replacement or refund, or call **1-888-3KOBALT** (1-888-356-2258) for warranty service.

This warranty is void if: defects in materials or workmanship or damages result from repairs or alterations which have been made or attempted by others or the unauthorized use of nonconforming parts; the damage is due to normal wear, damage is due to abuse (including overloading of the tool beyond capacity), improper maintenance, neglect or accident; or the damage is due to the use of the tool after partial failure or use with improper accessories or unauthorized repair or alteration.

This warranty gives you specific legal rights, and you may also have other rights that vary from state to state.

REPLACEMENT PARTS LIST

For replacement parts, call our customer service department at **1-888-3KOBALT** (1-888-356-2258), 8 a.m. - 8 p.m., EST, Monday - Friday.



PART	DESCRIPTION	PART #
AA	Fastening Knob	34113877-1
BB	Screw	32205877
CC	Bolt	322051410
F	Scraper	341041468
DD	Belt	329011468
G	Impeller	341031468AC

Printed in China