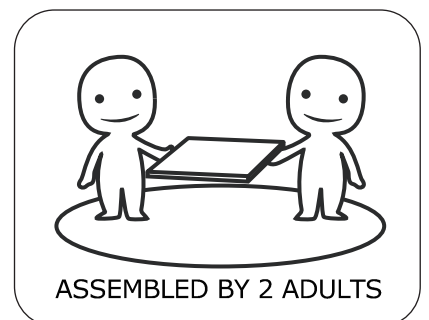
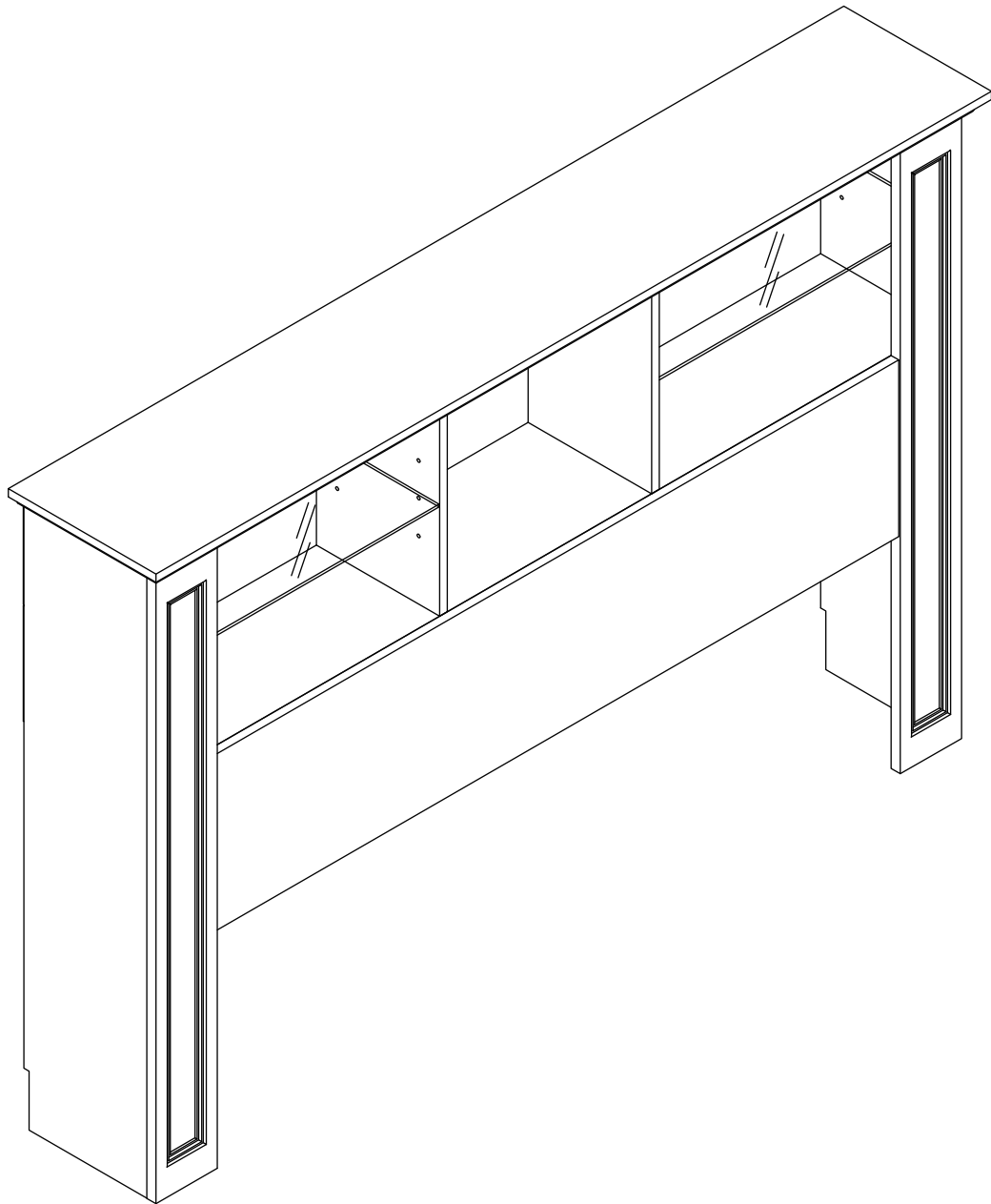


Headboard





IMPORTANT INFORMATION!

please read the entire manual before starting to assemble and/or using this product. follow the manual thoroughly and keep it for further reference.



AVOID SCRATCHES!

In order to avoid scratching this furniture should be assembled on a soft layer- could be a rug.



IMPROVE EFFICIENCY !

Try to find a partner to install with you, which can speed up the installation efficiency and shorten the time.



ANTI-TOPPLE WARNING !

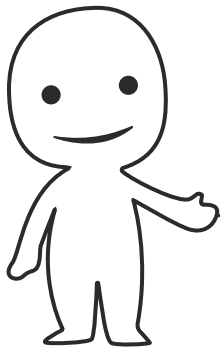
Overturnd furniture can cause serious or fatal crush injuries. To prevent tipping over, be sure to use the wall attachment, if not included with this product. Please purchase the wall attachment that fit your wall. If unsure, seek professional advice. Please read and follow each step of the instructions carefully.

IMPORTANT !

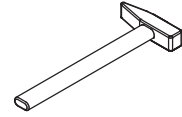
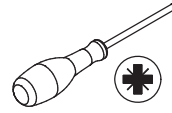
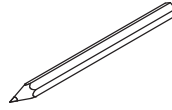
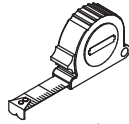
It is important that any product which is assembled using any kind of screw is re-tightened 2 weeks after assembly, and once every 3 months - in order to assure stability through-out the lifespan of the product.

For regular maintenance and cleaning of the product, for the frame, please use a rag dipped in neutral detergent to fully wipe it, and then dry it with a clean rag. For glass materials, wipe with a rag dampened with water glass cleaner, and then dry with a dry rag.

Do not use an electric screwdriver, and do not use too much force when installing, because the board is easy to break.

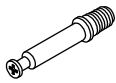


Please prepare the following tools



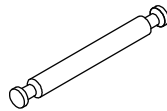
When installing, please carefully confirm whether each screw corresponds to the manual, accessories with similar shapes can be distinguished by size

A x 24



Ø6 x 34 mm

B x 4



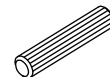
Ø6 x 64 mm

C x 32



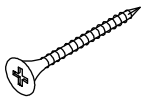
Ø15 x 10 mm

D x 28



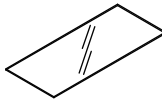
Ø8 x 30 mm

E x 4



M4 x 40 mm

F x 2



557 x 240 x 5 mm

G x 8



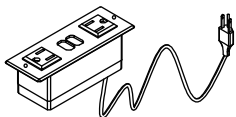
22 x 14 x 10 mm

H x 30



Ø3 x 12 mm

J x 1



K x 1



L x 1

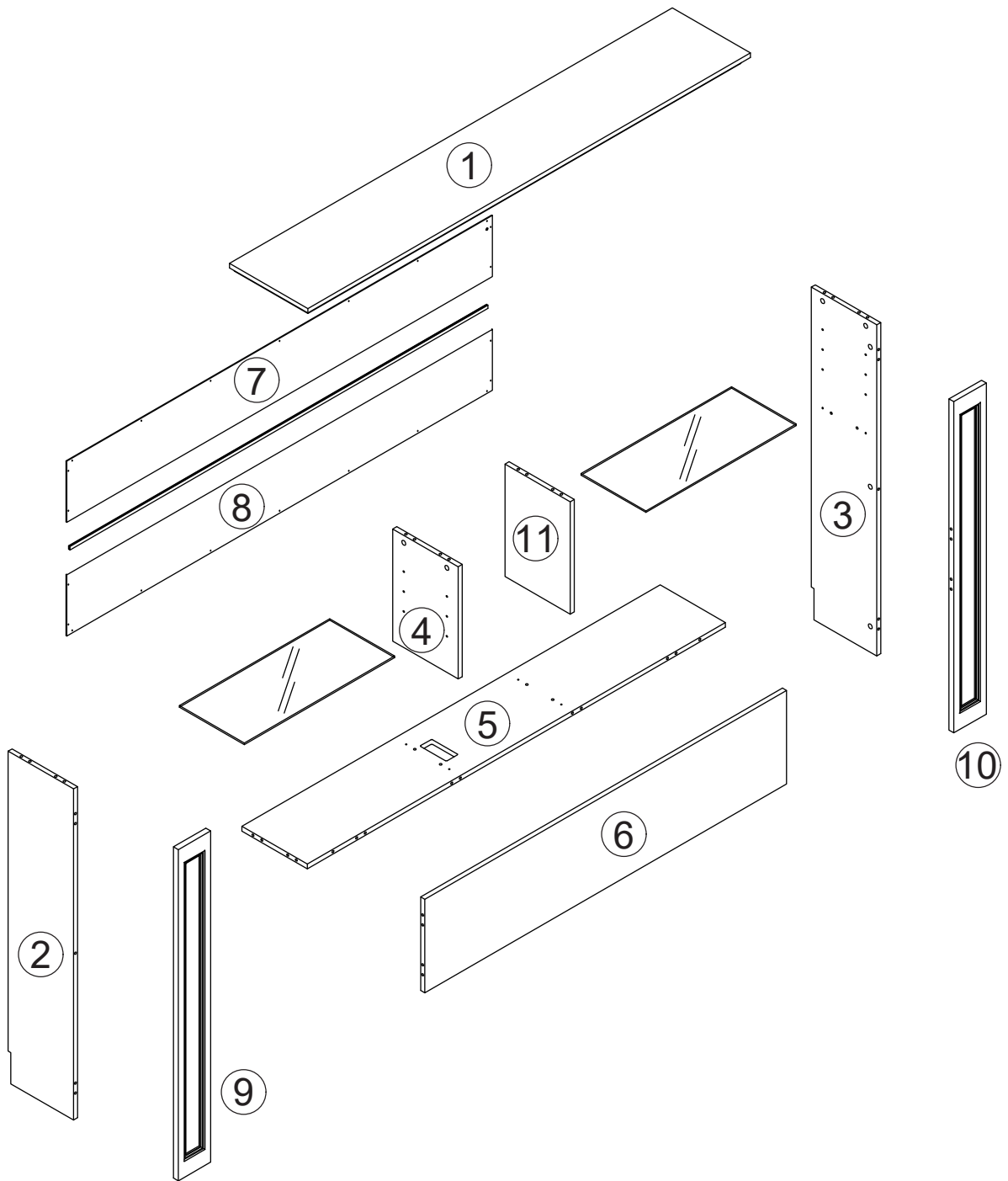


1548 mm

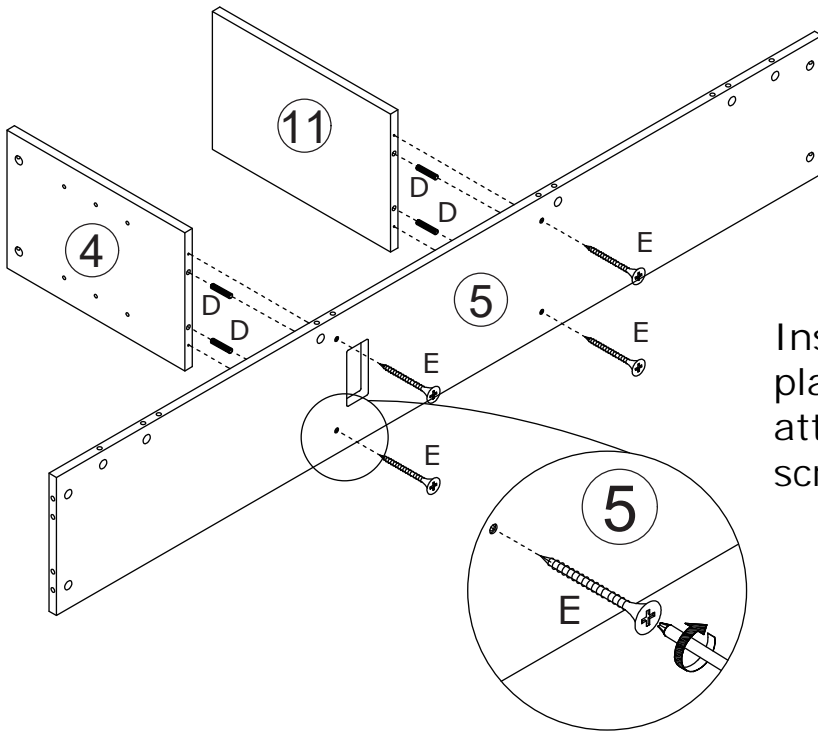
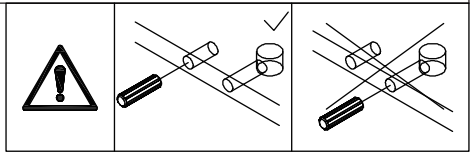
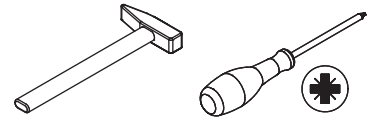
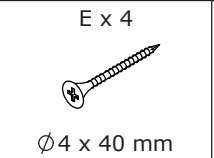
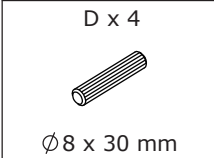
M x 2



Ø3.5x14 mm

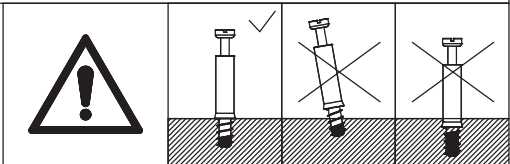
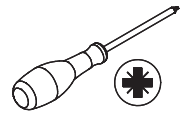
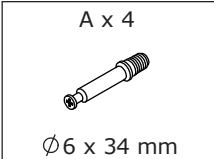


1

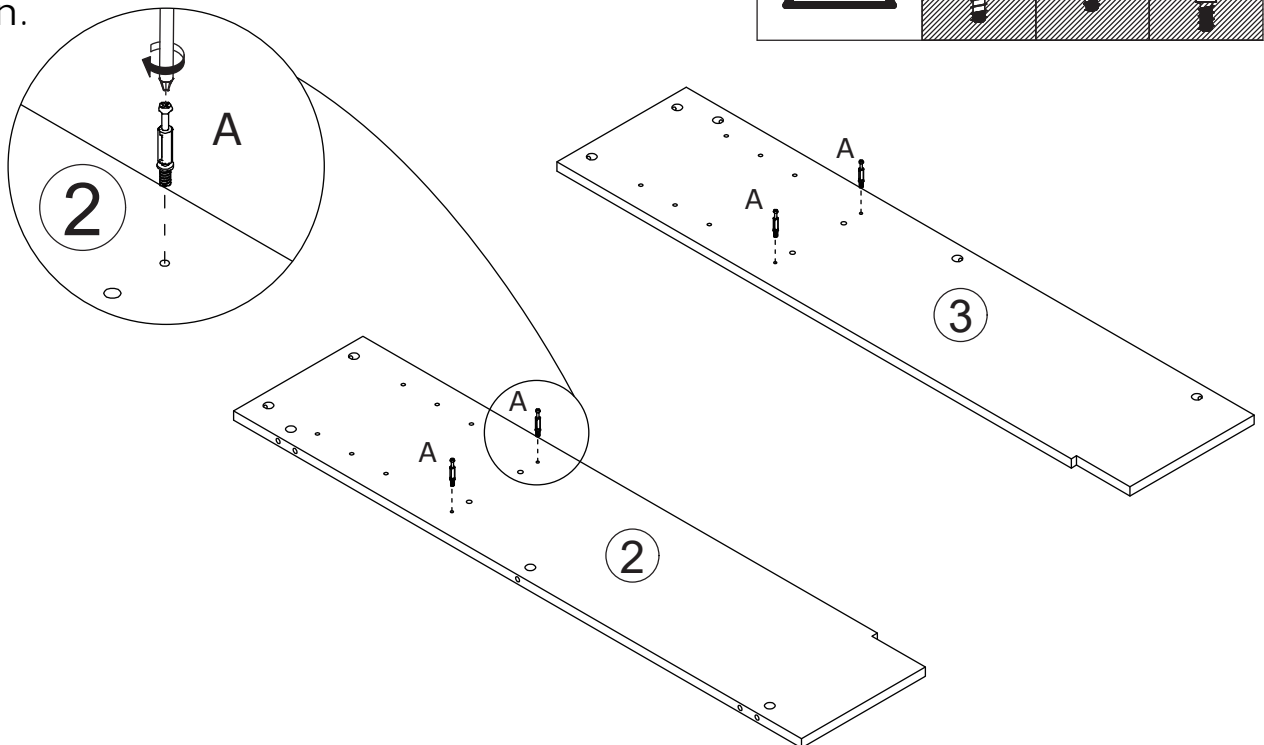


Insert wooden dowel(D) into plate 4 and 11 at first, then attach to plate 5 and fix with screw(E) as shown.

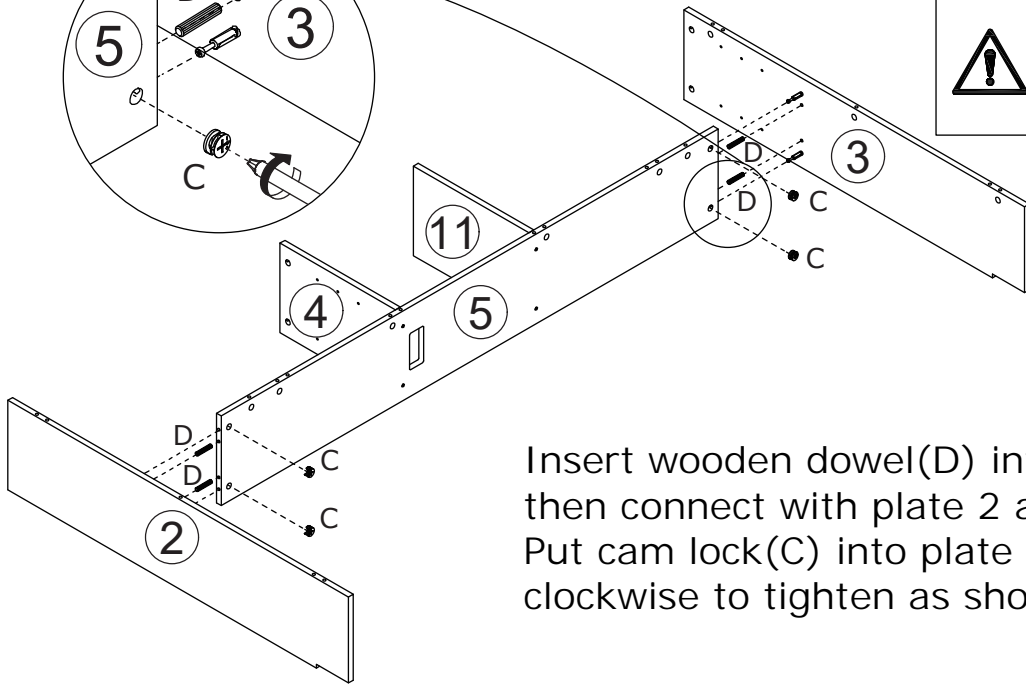
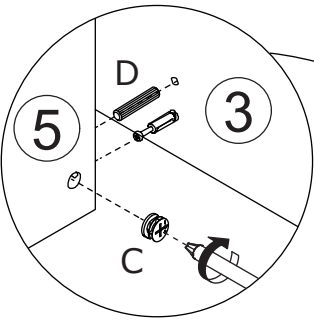
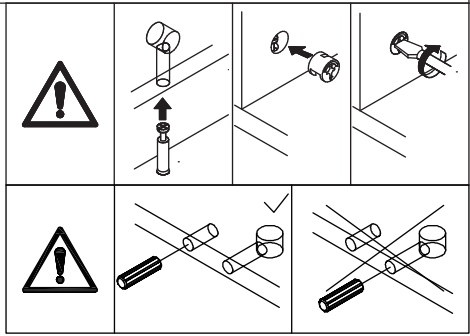
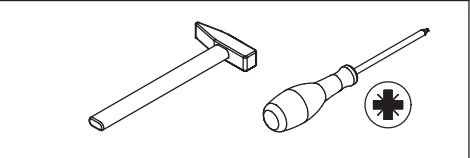
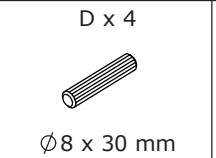
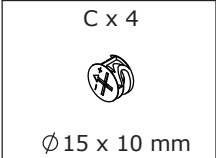
2



Insert quickfit screw(A) into corresponding holes in plate 2 and 3 with a screwdriver as shown.

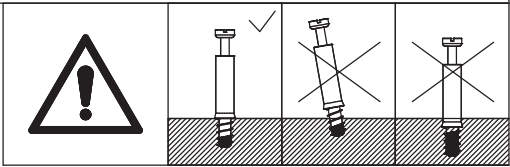
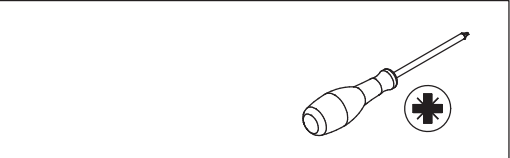
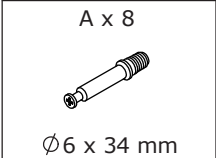


3

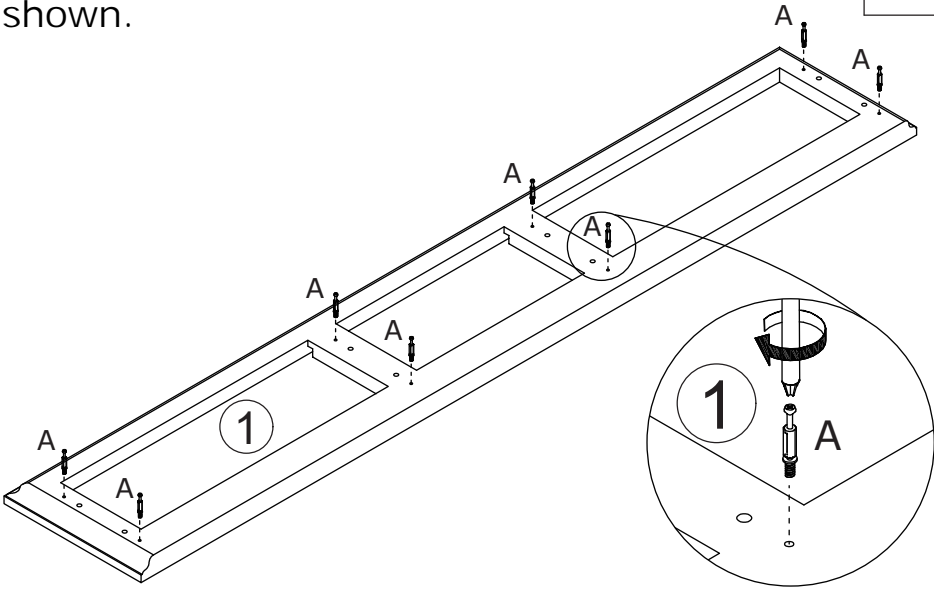


Insert wooden dowel(D) into plate 5 at first, then connect with plate 2 and 3. Put cam lock(C) into plate 5 and turn clockwise to tighten as shown.

4

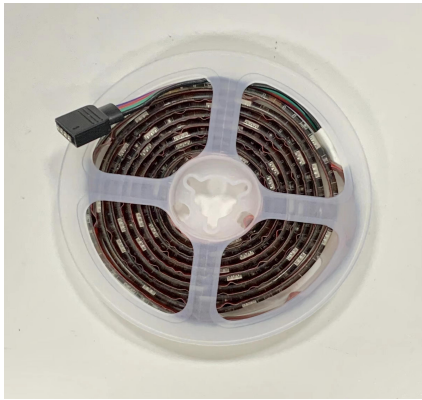


Insert quickfit screw(A) into corresponding holes in plate 1 with a screwdriver as shown.



5

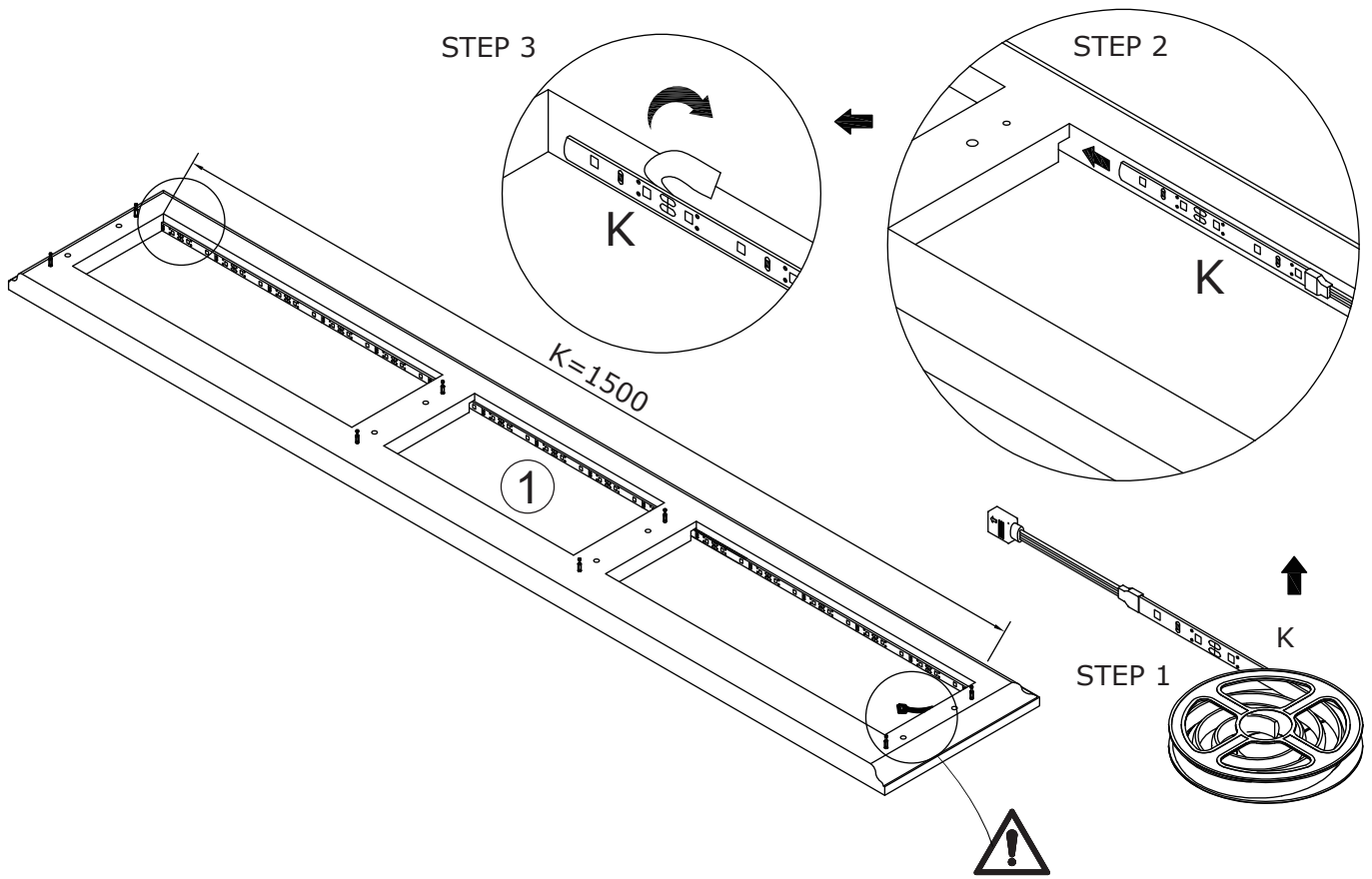
K x 1
1500 mm



Interface




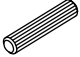
Pull out light strip(K) and thread through plate 1, remove its tape.

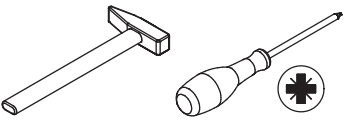


Interface is facing here

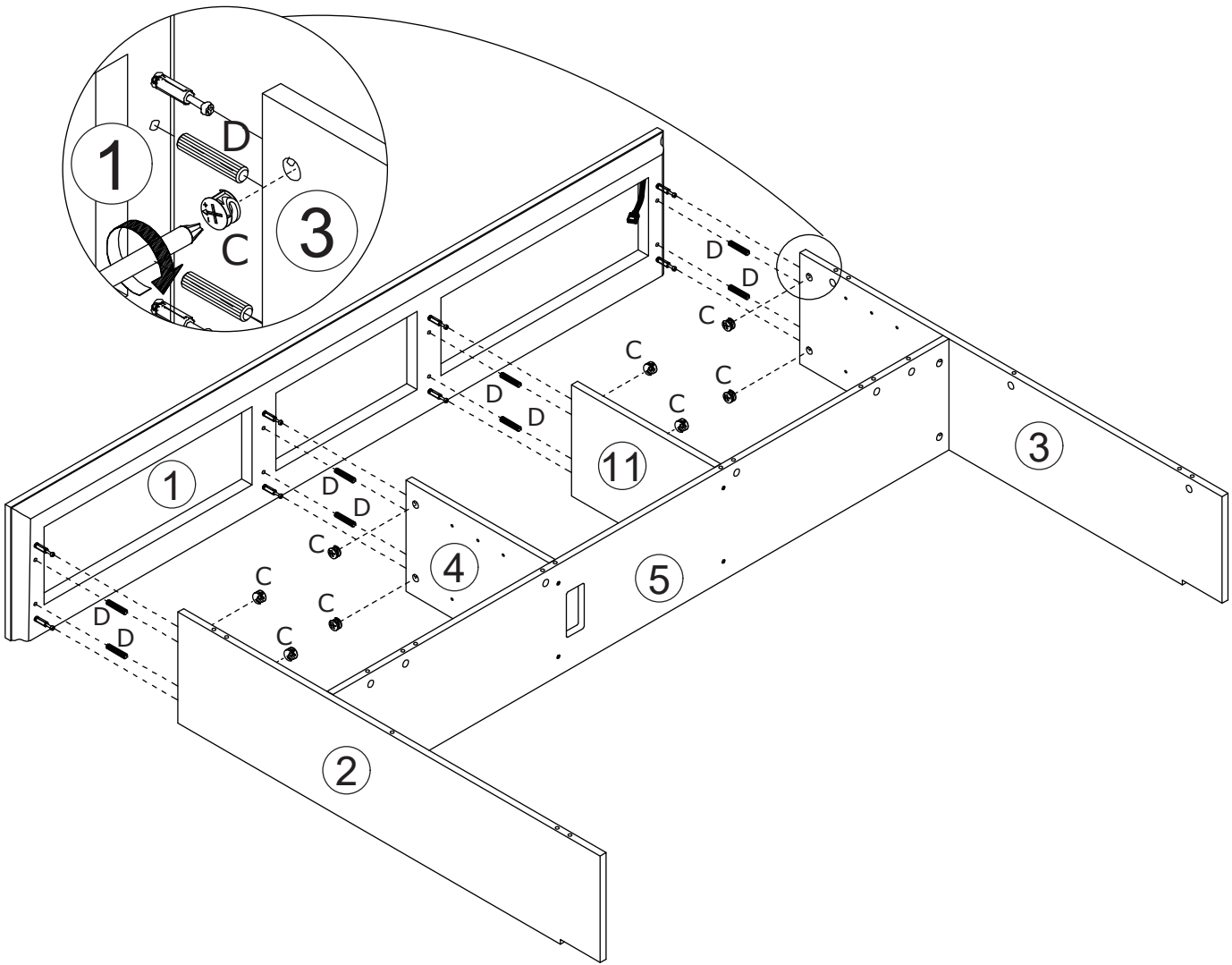
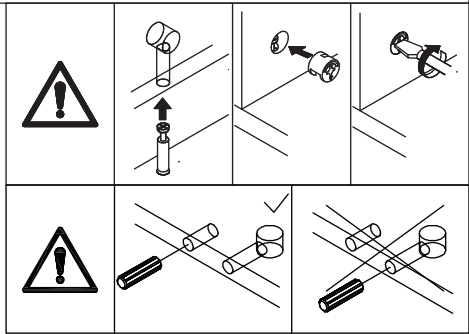
6

C x 8

Ø15 x 10 mm

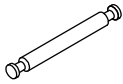

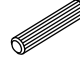
D x 8

Ø8 x 30 mm

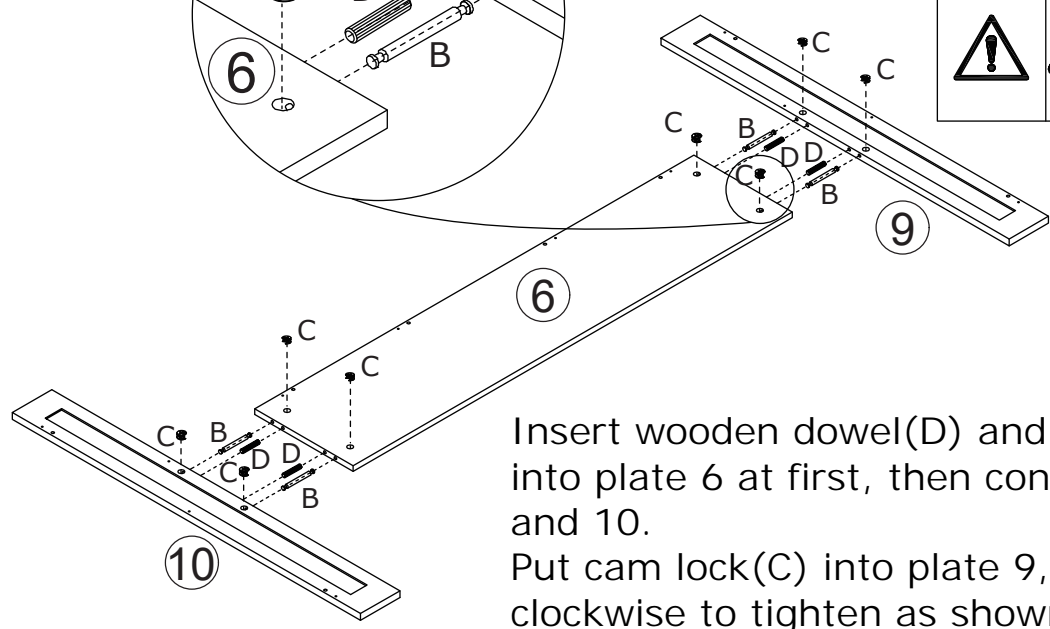
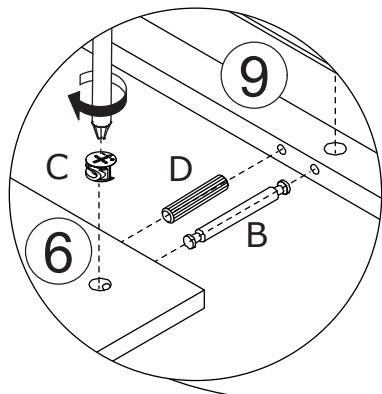
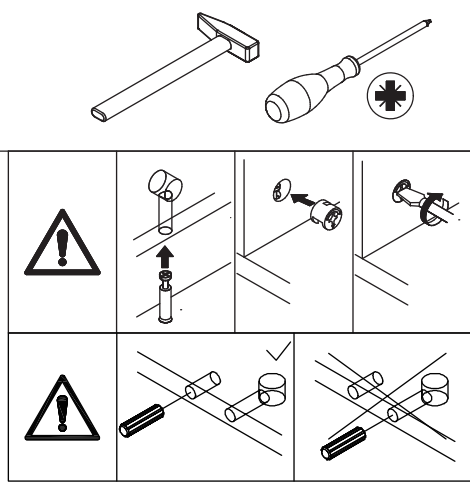


Insert wooden dowel(D) into plate 2, 4, 11 and 3 at first, then cover plate 1 to.
Put cam lock(C) into plate 2,4,11,3 and turn clockwise to tighten as shown.



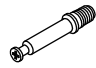
7

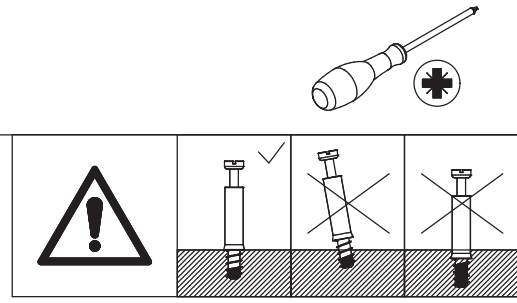
<p>B x 4</p>  <p>Ø6 x 64 mm</p>	<p>C x 8</p>  <p>Ø15 x 10 mm</p>	<p>D x 4</p>  <p>Ø8 x 30 mm</p>
--	---	--



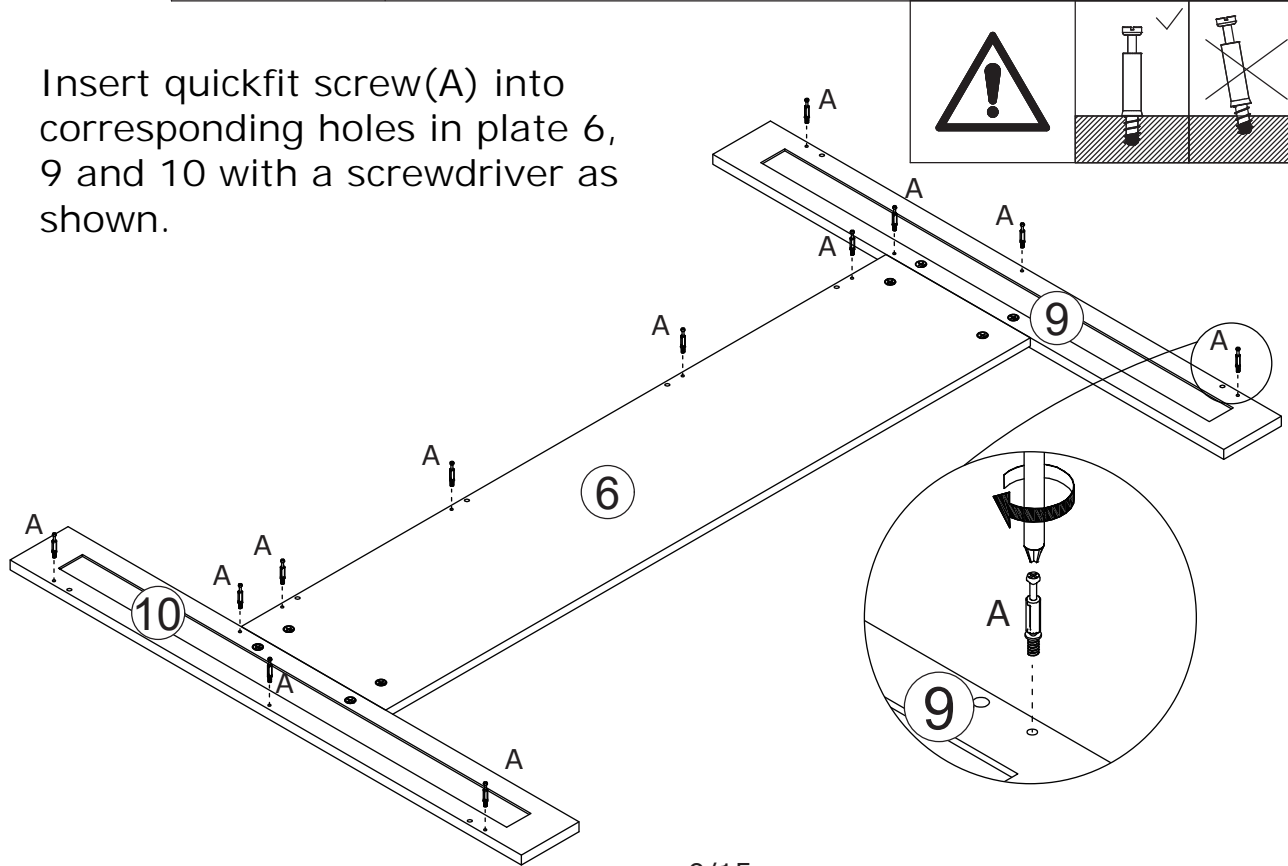
Insert wooden dowel(D) and quickfit screw(B) into plate 6 at first, then connect with plate 9 and 10.
Put cam lock(C) into plate 9,6,10 and turn clockwise to tighten as shown.

8


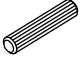
<p>A x 12</p>  <p>Ø6 x 34 mm</p>

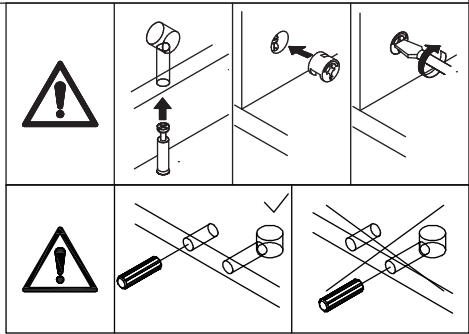
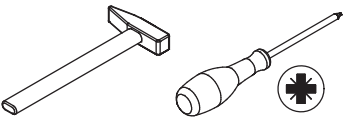


Insert quickfit screw(A) into corresponding holes in plate 6, 9 and 10 with a screwdriver as shown.

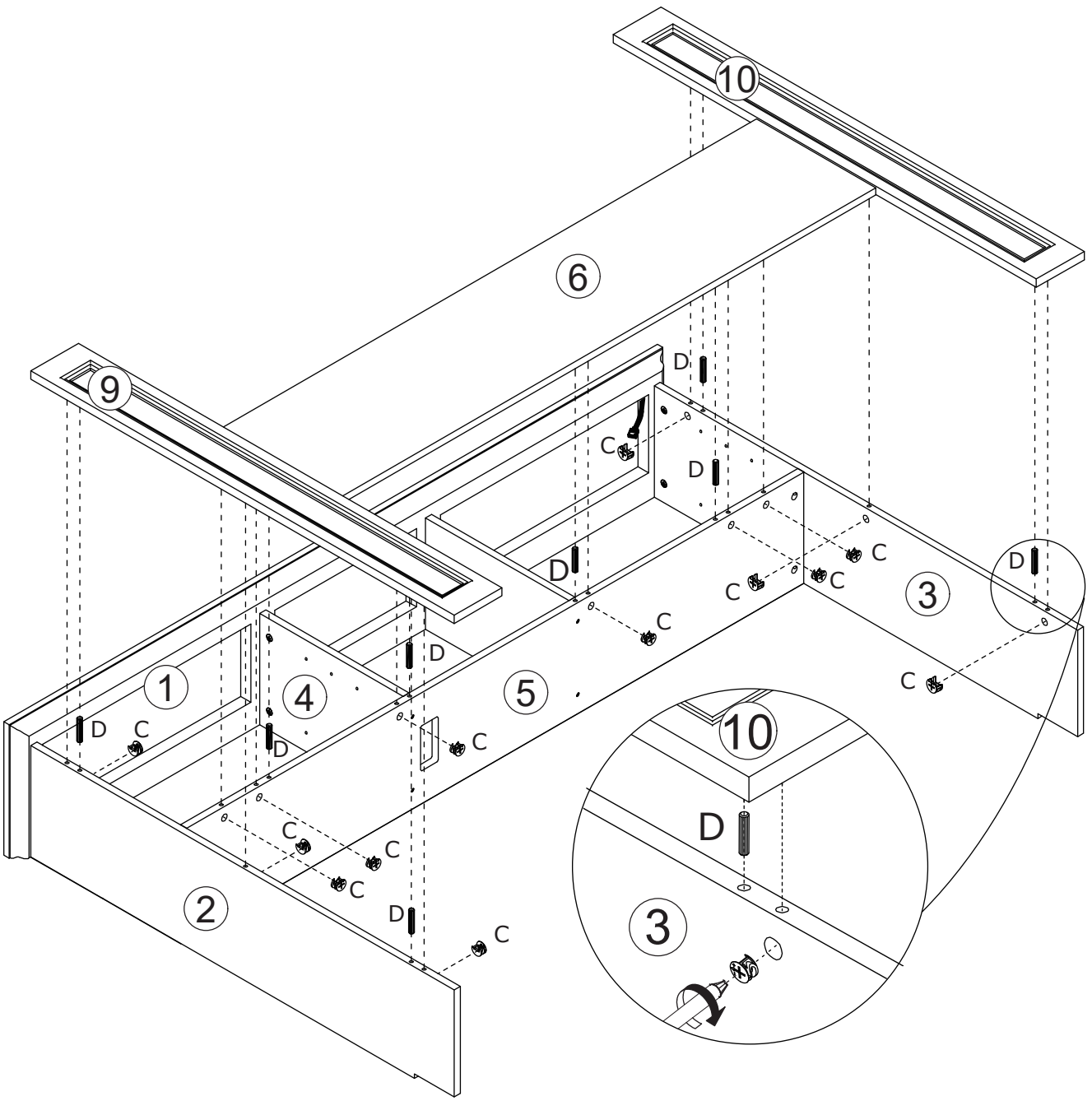


9

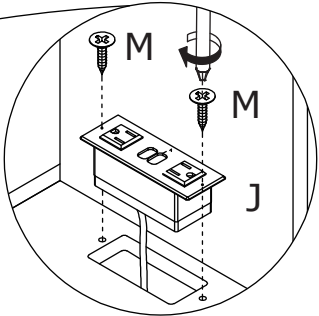
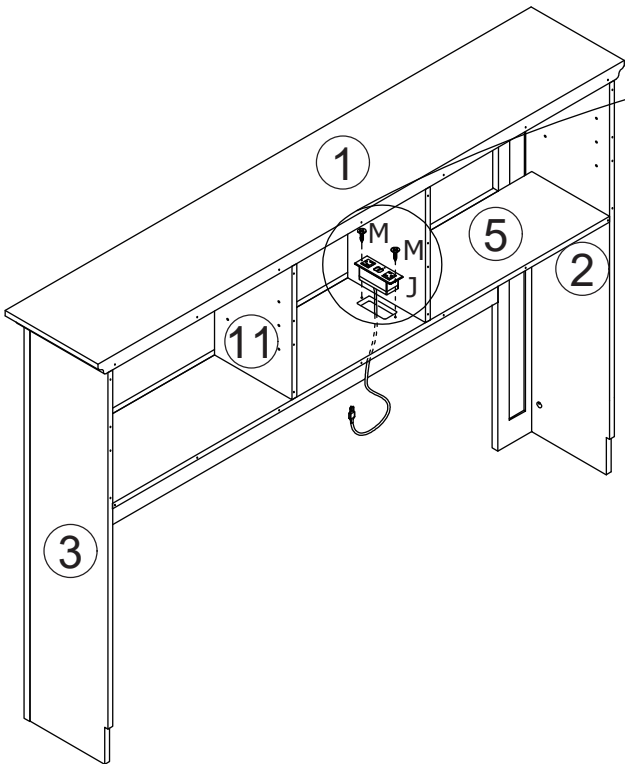
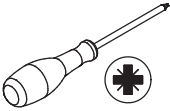
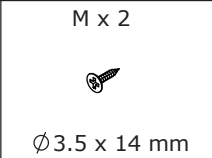
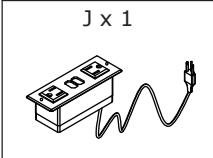
C x 12  Ø15 x 10 mm	D x 8  Ø8 x 30 mm
--	--



Insert wooden dowel(D) into plate 2, 5 and 3 at first, then cover the component to. Put cam lock(C) into plate 2,5,3 and turn clockwise to tighten as shown.

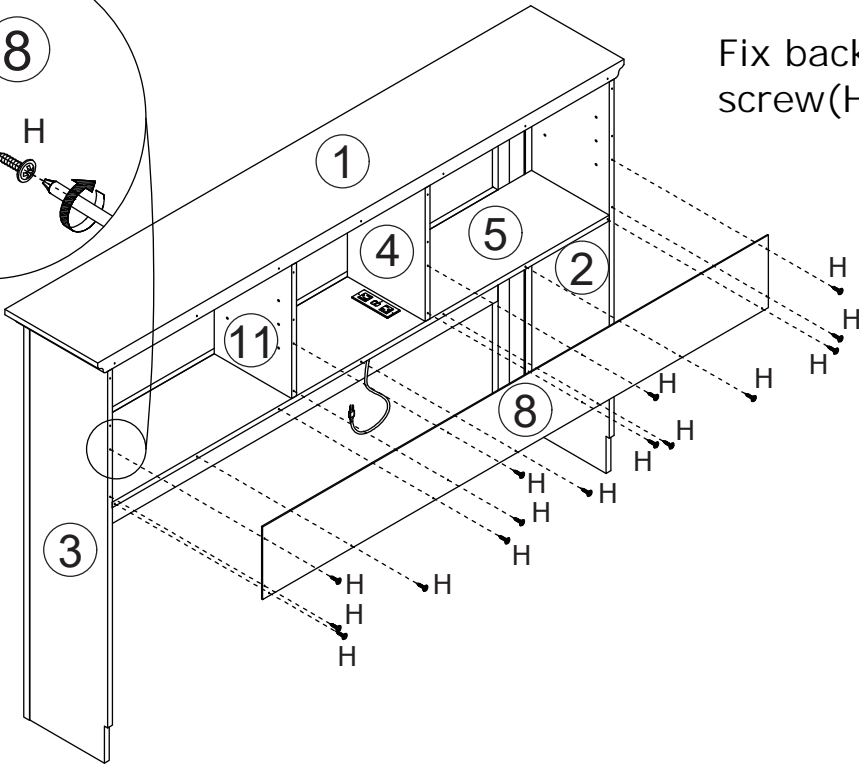
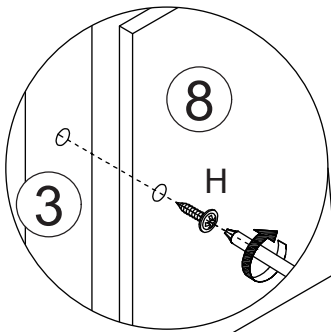
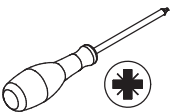
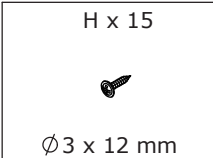


10



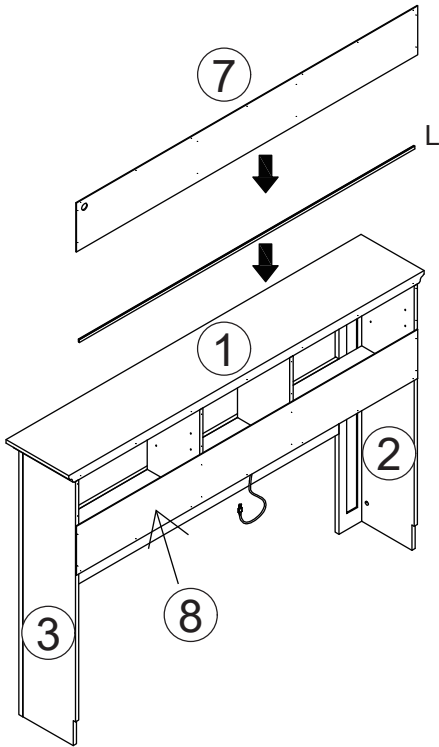
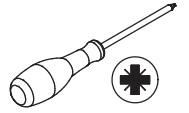
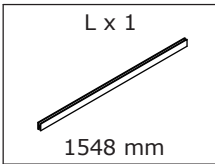
Fix part(J) to plate 5 with screw(M) as shown.

11

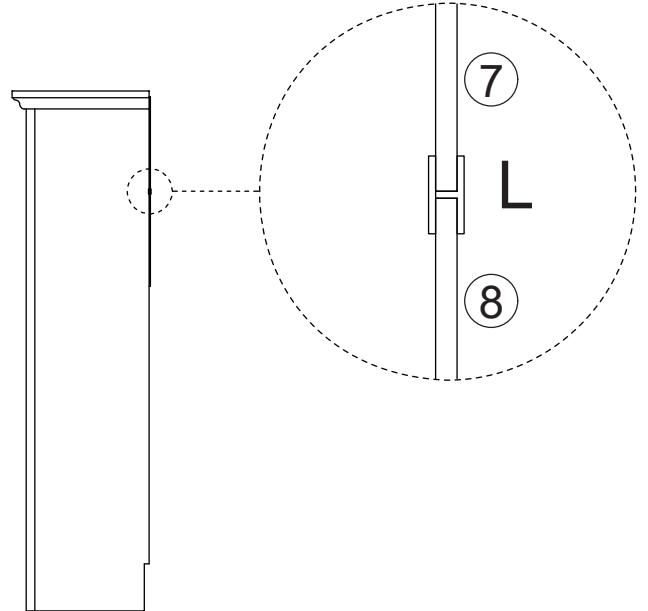


Fix back plate 8 with screw(H) as shown.

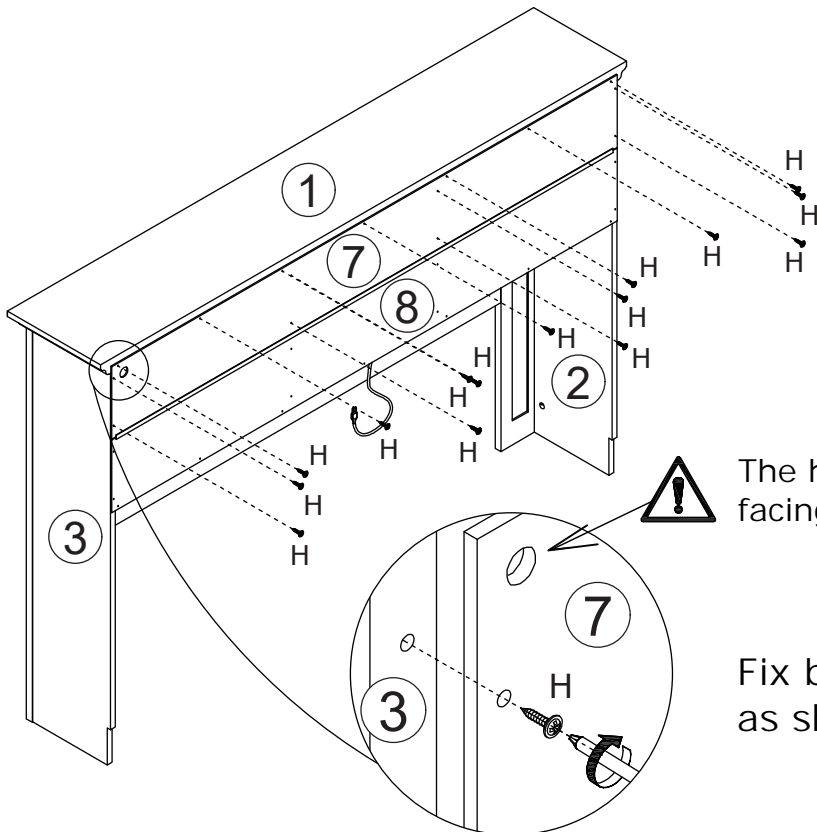
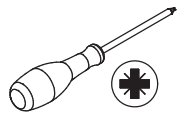
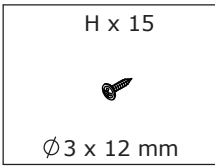
12



Use part(L) to connect plate 7 and 8 as shown.



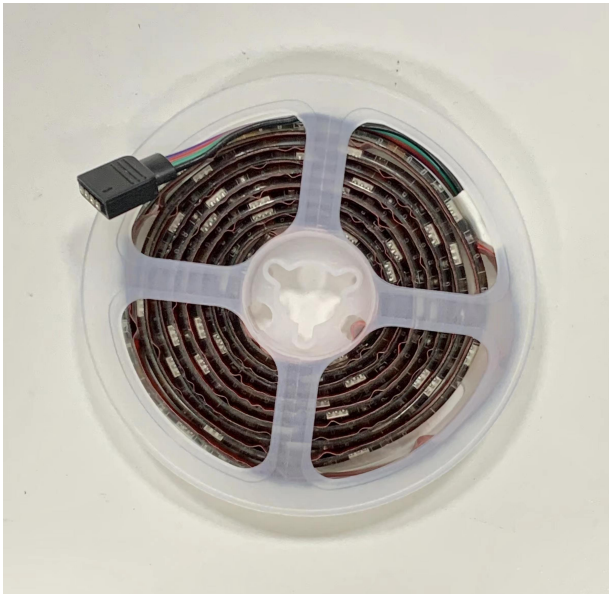
13



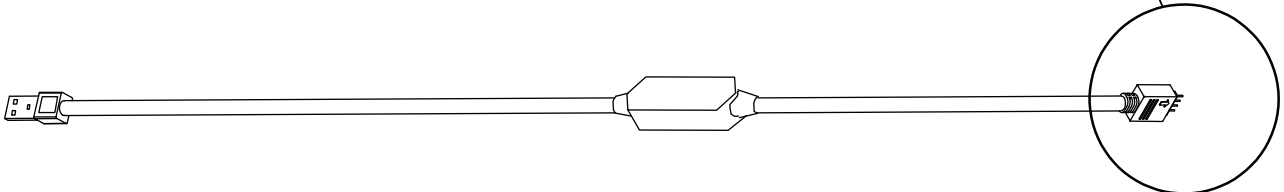
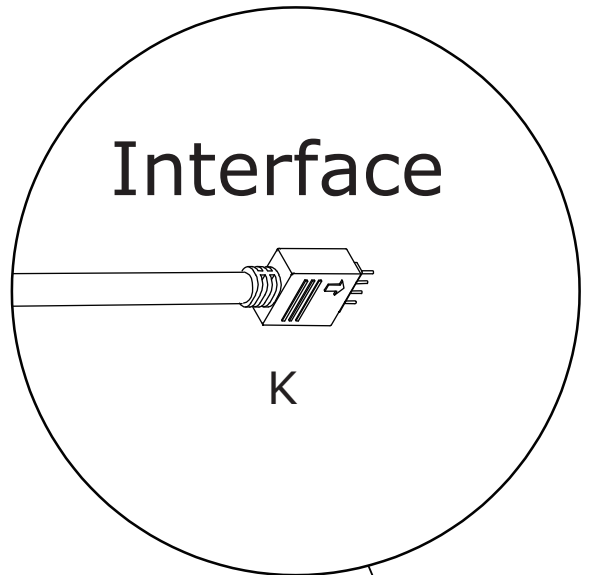
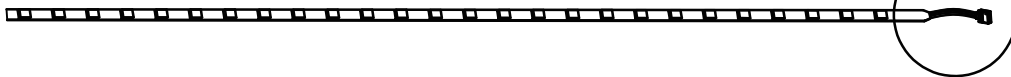
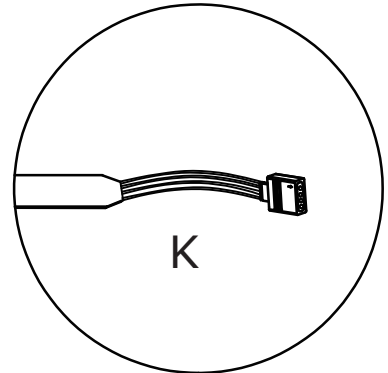
The hole is facing here

Fix back plate 7 with screw(H) as shown.

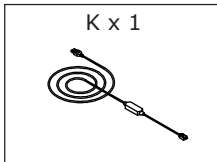
14



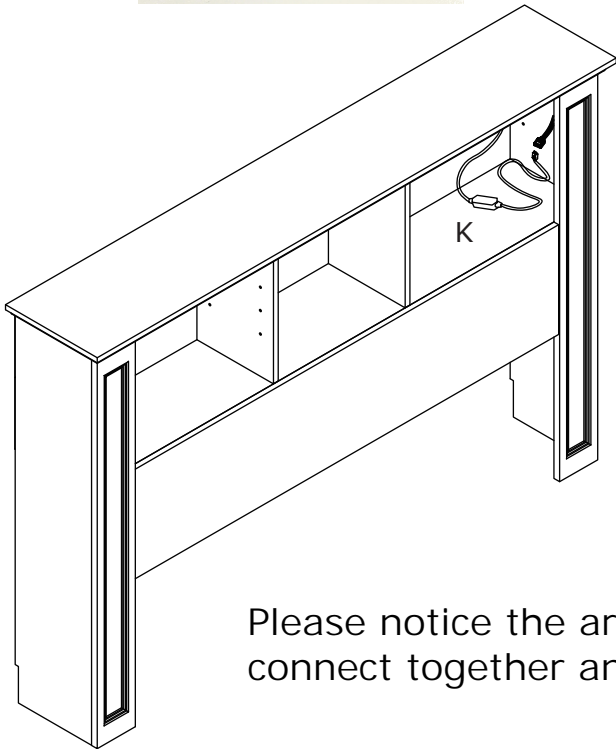
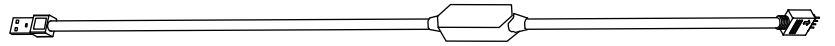
Interface



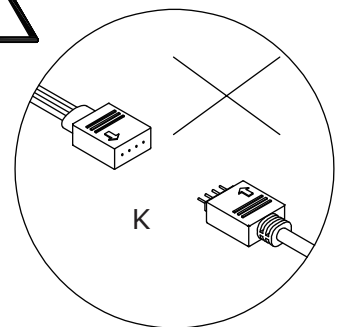
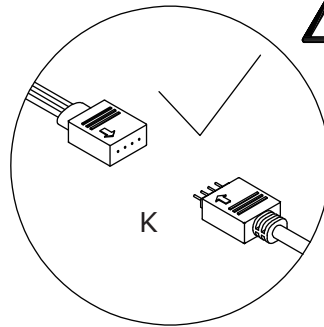
15



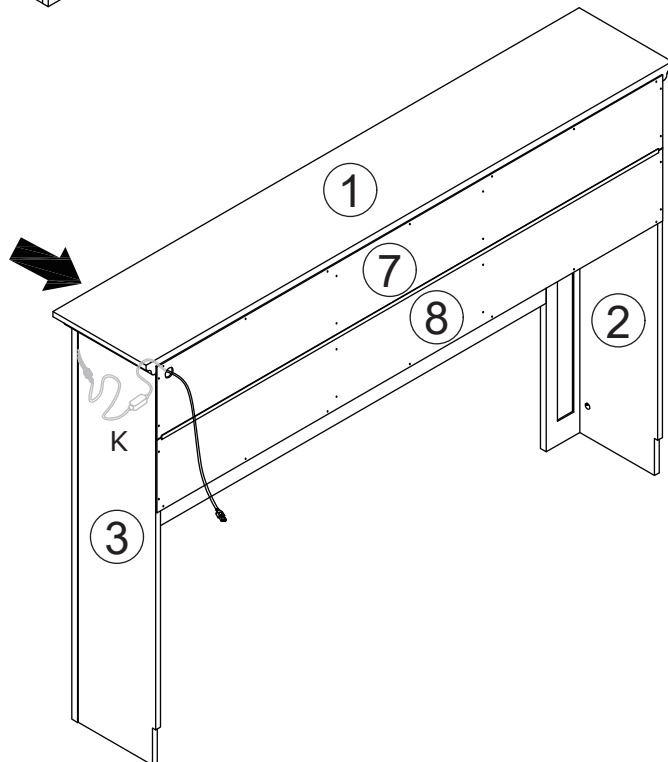
Interface



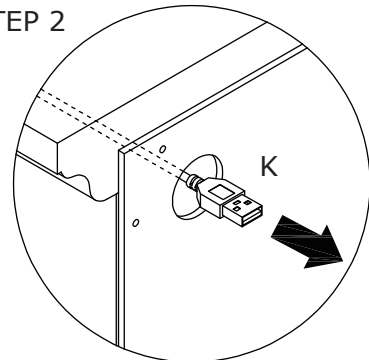
STEP 1



Please notice the arrow direction of the interface in image, connect together and the interface must expose outside.



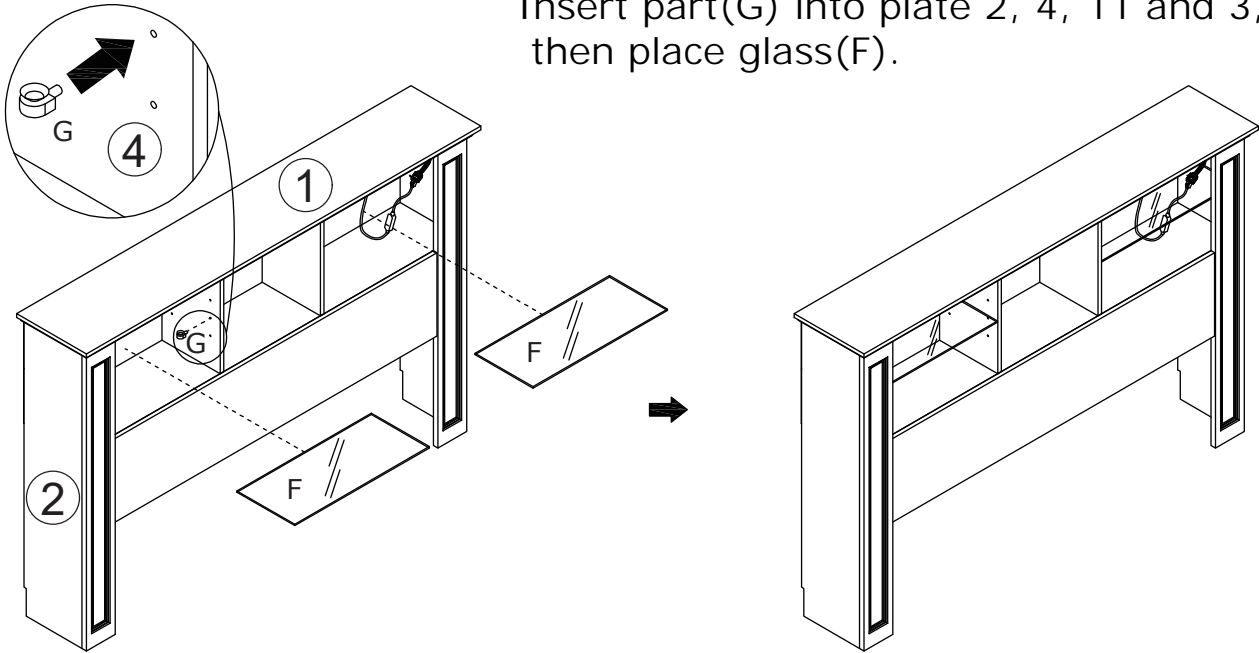
STEP 2



16

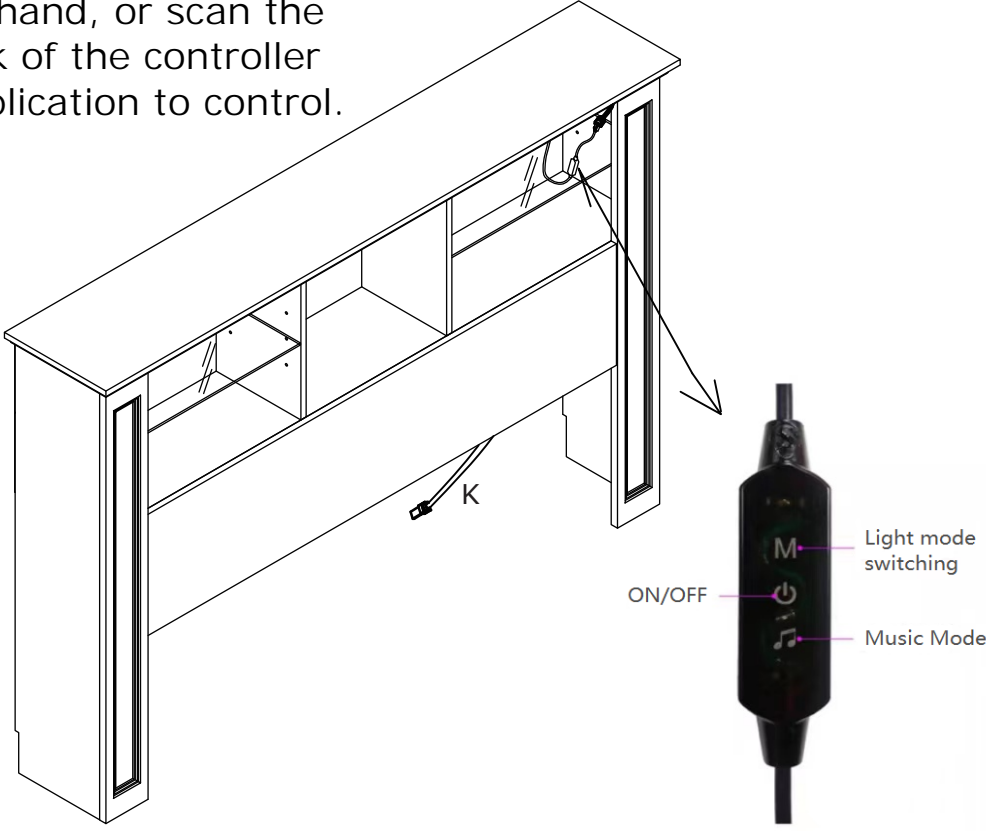
F x 2 557 x 240 x 5 mm	G x 8 22 x 14 x 10 mm
---------------------------	--------------------------

Insert part(G) into plate 2, 4, 11 and 3, then place glass(F).



17

Control the light by hand, or scan the QR code on the back of the controller to download the Application to control.



WARRANTY

WARRANTY CLAIMS

- There is a 30-day warranty for broken furniture or any other problems that do not work properly. The warranty will start from the date of purchase which must be verified by proof of purchase.
- Before making a claim, we may be able to answer your query, simply call us. Please leave your purchase order number, along with some details of the problem, if you want a replacement part. We will arrange within 48 hours. If there is out of stock, we will reply with a shipping date.
- The product must be used in accordance with the instructions provided. For health reasons.
- For other reasons, if the furniture needs to be returned, it must be cleaned and dried and operated within 30 days of receipt.

Type of Warranty Claim

- Failure to follow the furniture instructions will invalidate the warranty. Attention please.
- Does not include damage during installation, but includes damage during transportation.

Scope of responsibility

- Shall not bear any responsibility for misuse or user damage and / or loss of parts during the installation of furniture.
- After using, the damage and scratches of the furniture are not covered by the warranty.

The Warranty Relates to All Bought in The Us and Covers The Following Areas

- Sheet parts: 1 month from the date of purchase.
- Electrical parts: 1 month from the date of purchase.

RETURNS

CHANGED YOUR MIND AND NEED TO RETURN YOU ITEM?

PLEASE FOLLOW THE BELOW INSTRUCTIONS:

- If you have purchased and have simply changed your mind, follow the retailer's instructions for returns.

DEFECTIVE ITEMS

- If your item is defective in any way, i.e. it doesn't work but you can't identify why, in the first instance, please call us.

DAMAGED ITEMS

- If you receive an order with obvious shipping damage from the retailer, then we suggest the delivery is refused. If the delivery has been accepted and then shipping damage is found, please follow the specific instructions advised by the retailer.
In all circumstances please save all packaging material and paperwork for the order. Please be aware that if you dispose of packaging material or attempt to return the merchandise without contacting the fulfiller, you jeopardise your chances of making a claim, and you may not receive a credit for the return.