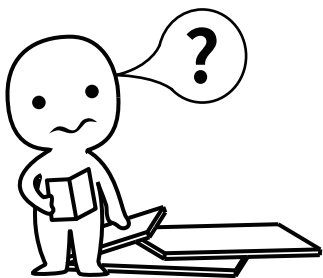


INSTALLATION

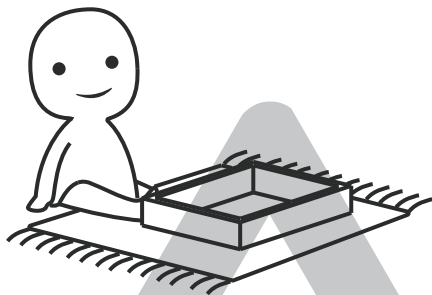
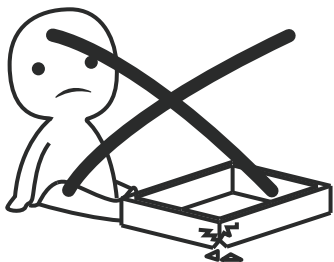
Product Manual

Version: 590013US-00-25A-LJ



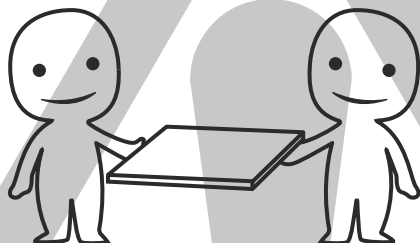
IMPORTANT INFORMATION!

please read the entire manual before starting to assemble and/or using this product. follow the manual thoroughly and keep it for further reference.



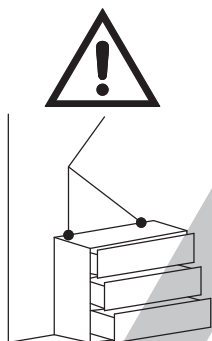
AVOID SCRATCHES!

In order to avoid scratching this furniture should be assembled on a soft layer- could be a rug.



IMPROVE EFFICIENCY !

Try to find a partner to install with you, which can speed up the installation efficiency and shorten the time.



ANTI-TOPPLE WARNING !

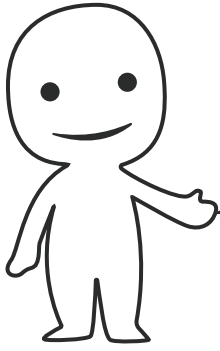
Overturnd furniture can cause serious or fatal crush injuries. To prevent tipping over, be sure to use the wall attachment, if not included with this product. Please purchase the wall attachment that fit your wall. If unsure, seek professional advice. Please read and follow each step of the instructions carefully.

IMPORTANT !

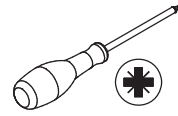
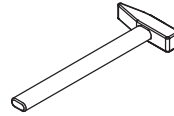
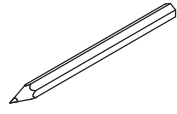
It is important that any product which is assembled using any kind of screw is re-tightened 2 weeks after assembly, and once every 3 months - in order to assure stability through-out the lifespan of the product.

For regular maintenance and cleaning of the product, for the frame, please use a rag dipped in neutral detergent to fully wipe it, and then dry it with a clean rag. For glass materials, wipe with a rag dampened with water glass cleaner, and then dry with a dry rag.

Do not use an electric screwdriver, and do not use too much force when installing, because the board is easy to break.

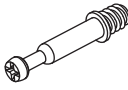


Please prepare the following tools




When installing, please carefully confirm whether each screw corresponds to the manual, accessories with similar shapes can be distinguished by size

A x 93



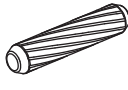
CRA0635A

B x 93



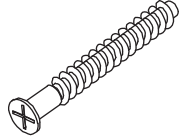
CRB1595A

C x 42




CRF0630A

D x 27



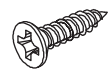
CRC0540A

E x 32



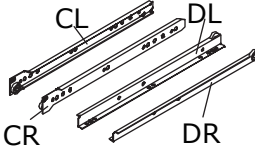
CRD3512A

F x 28




CRD0414A

G x 4



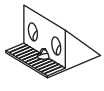
300 mm

H x 2

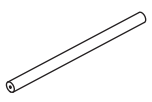


DGA861B


J x 16



K x 1

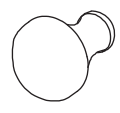


L x 8

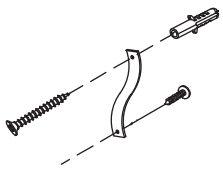


∅4 x 18 mm

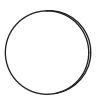
M x 8



N x 2

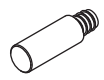


P x 95



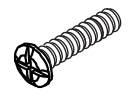
∅20 x 1 mm

Q x 1

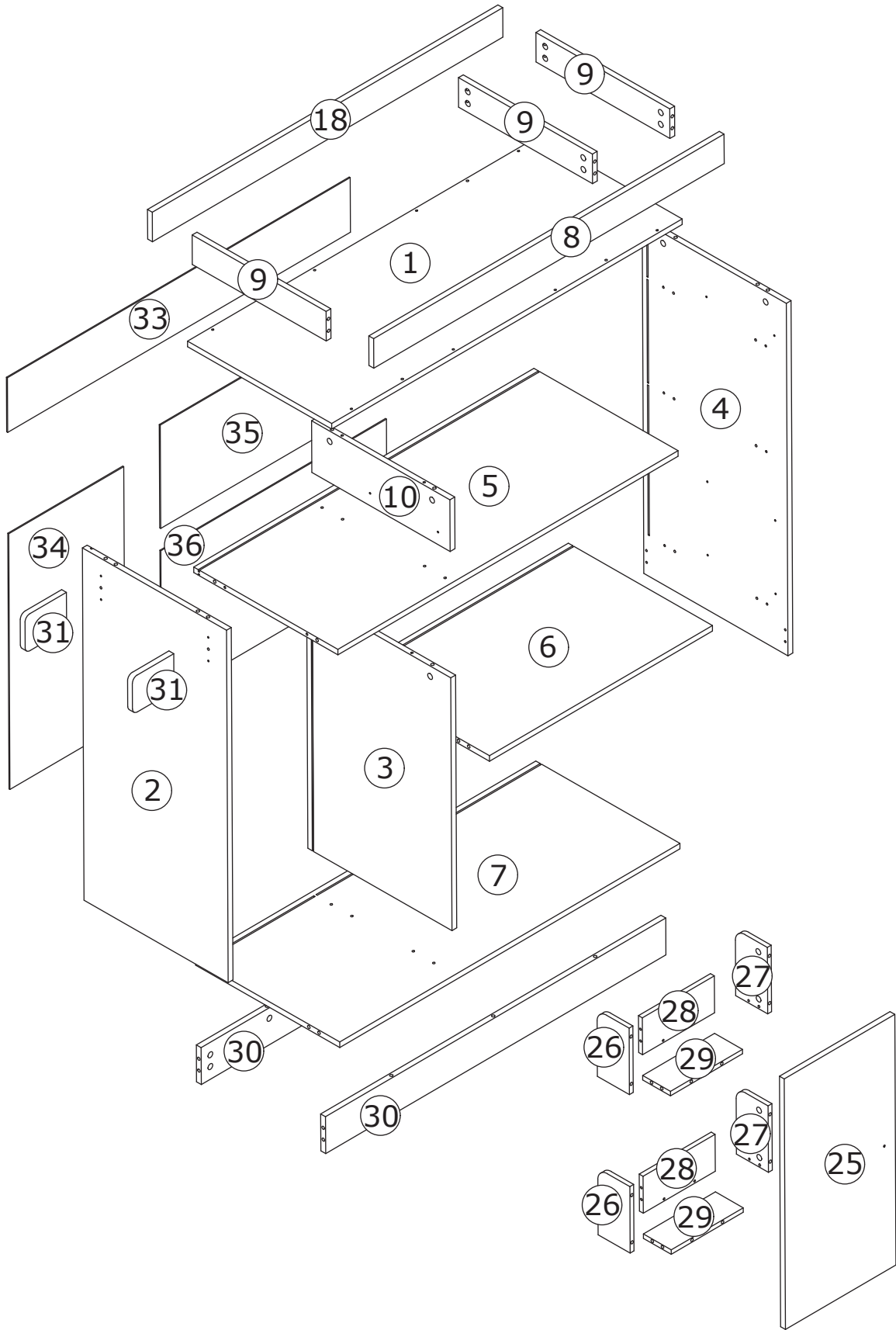


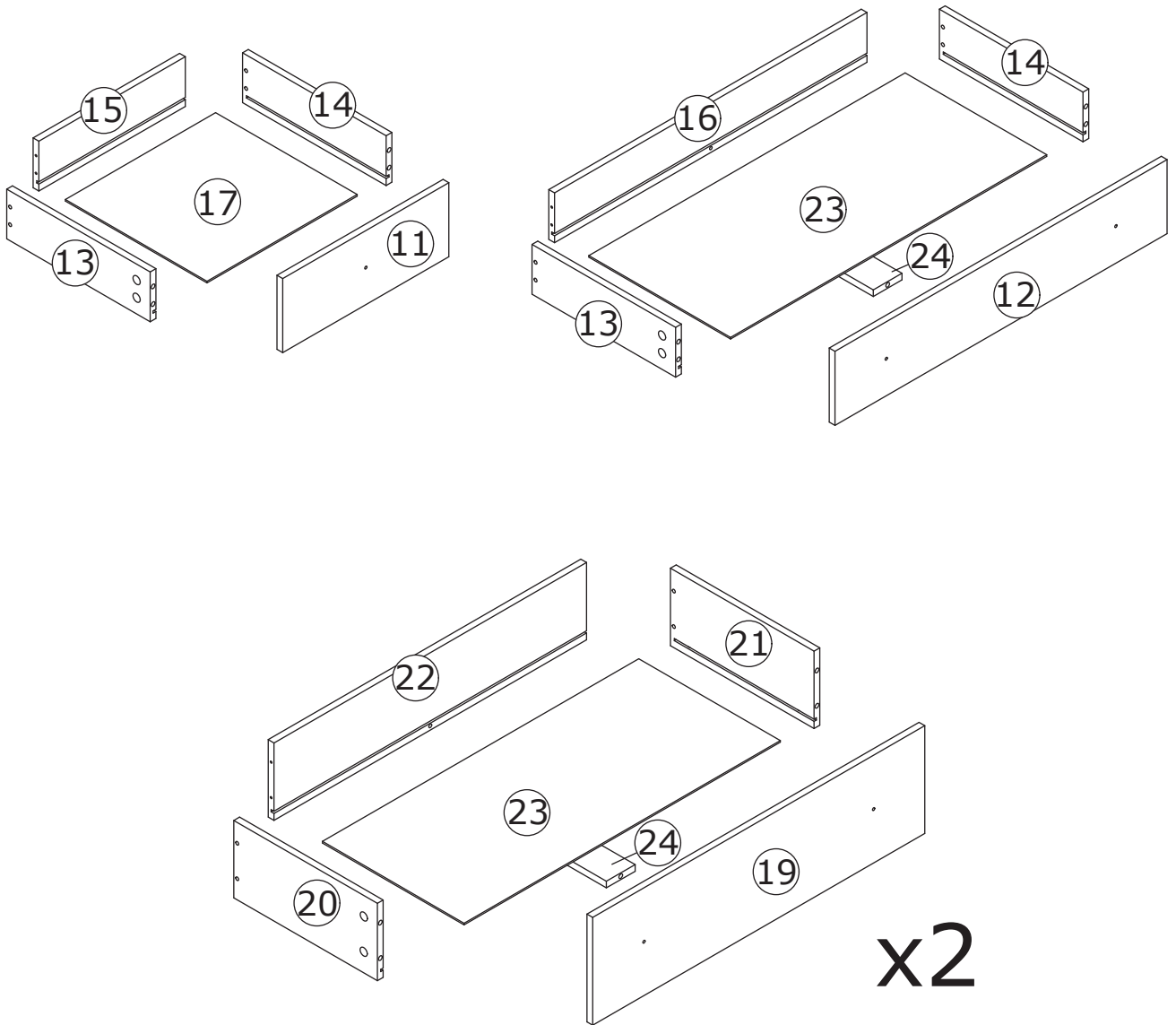
M5 mm

R x 2



∅6 x 25 mm





⚠ WARNING

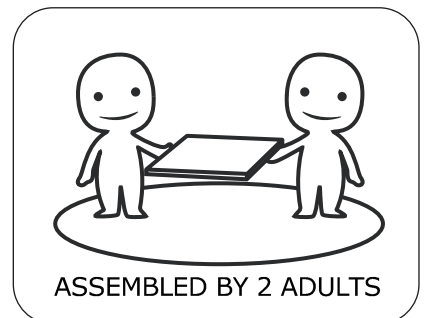


Children have died from furniture tipover. To reduce the risk of furniture tipover:

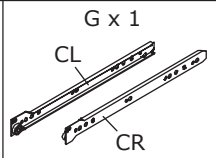
- ALWAYS install Anti-tip device provided.
- NEVER put a TV on this product.
- NEVER allow children to stand, climb or hang on drawers, doors, or shelves.
- NEVER open more than one drawer at a time.
- Place heaviest items in the lowest drawers.



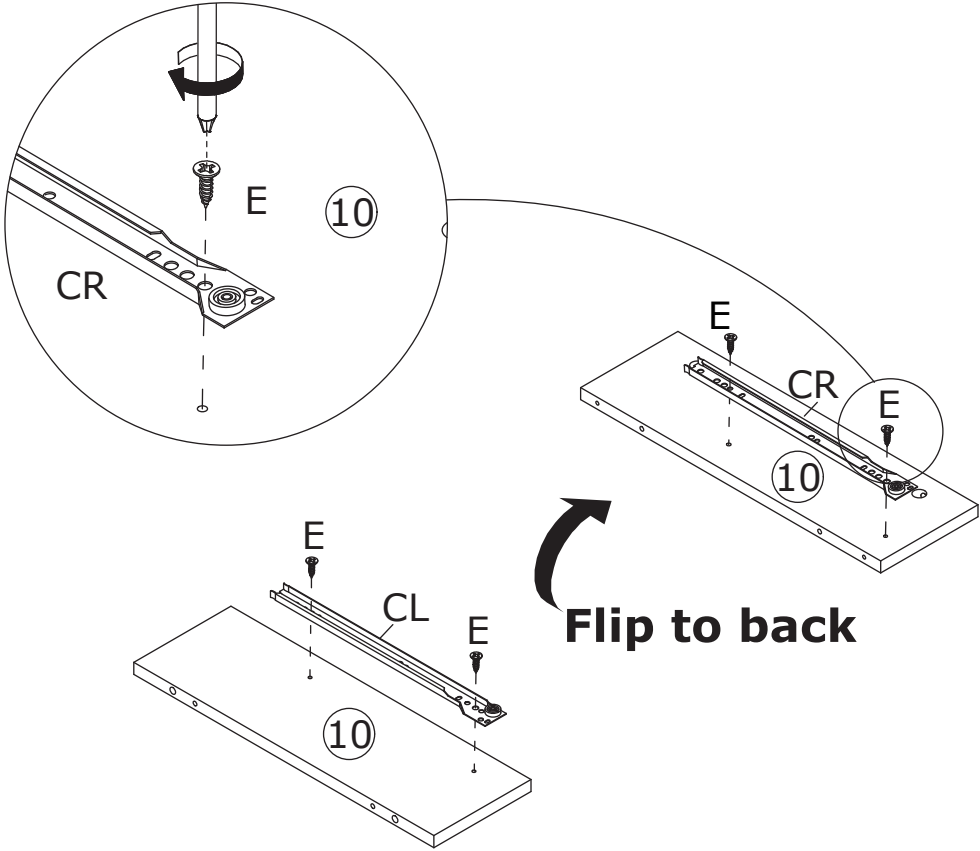
*This is a permanent label.
Do not remove!*



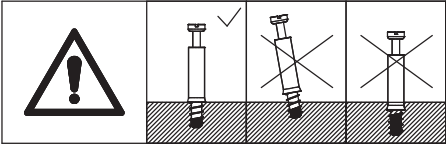
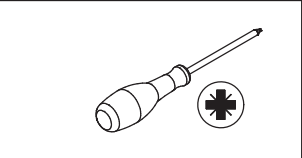
1



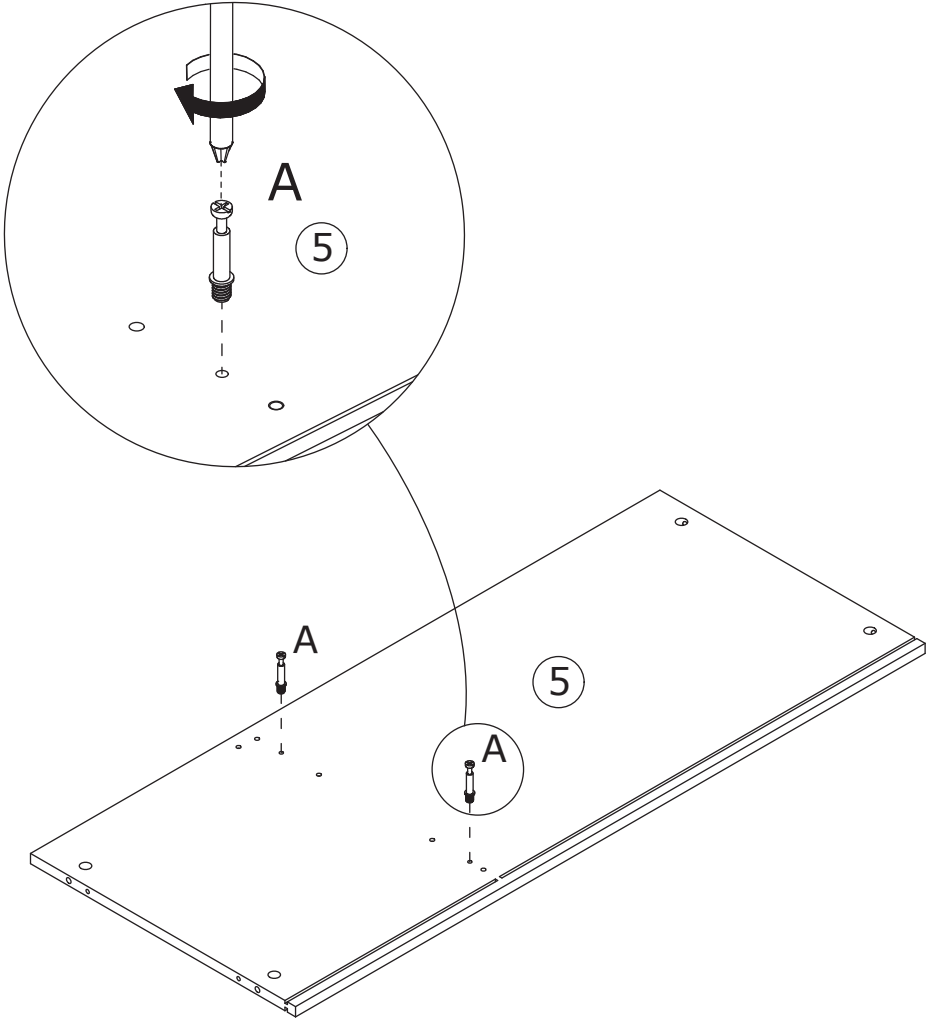
As shown in the figure, use screws (E) to install the slide rails (CR), (CL) to plate 10.



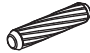


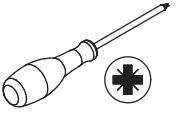
2

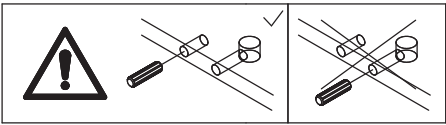


Secure screw (A) to plate 5 as shown.

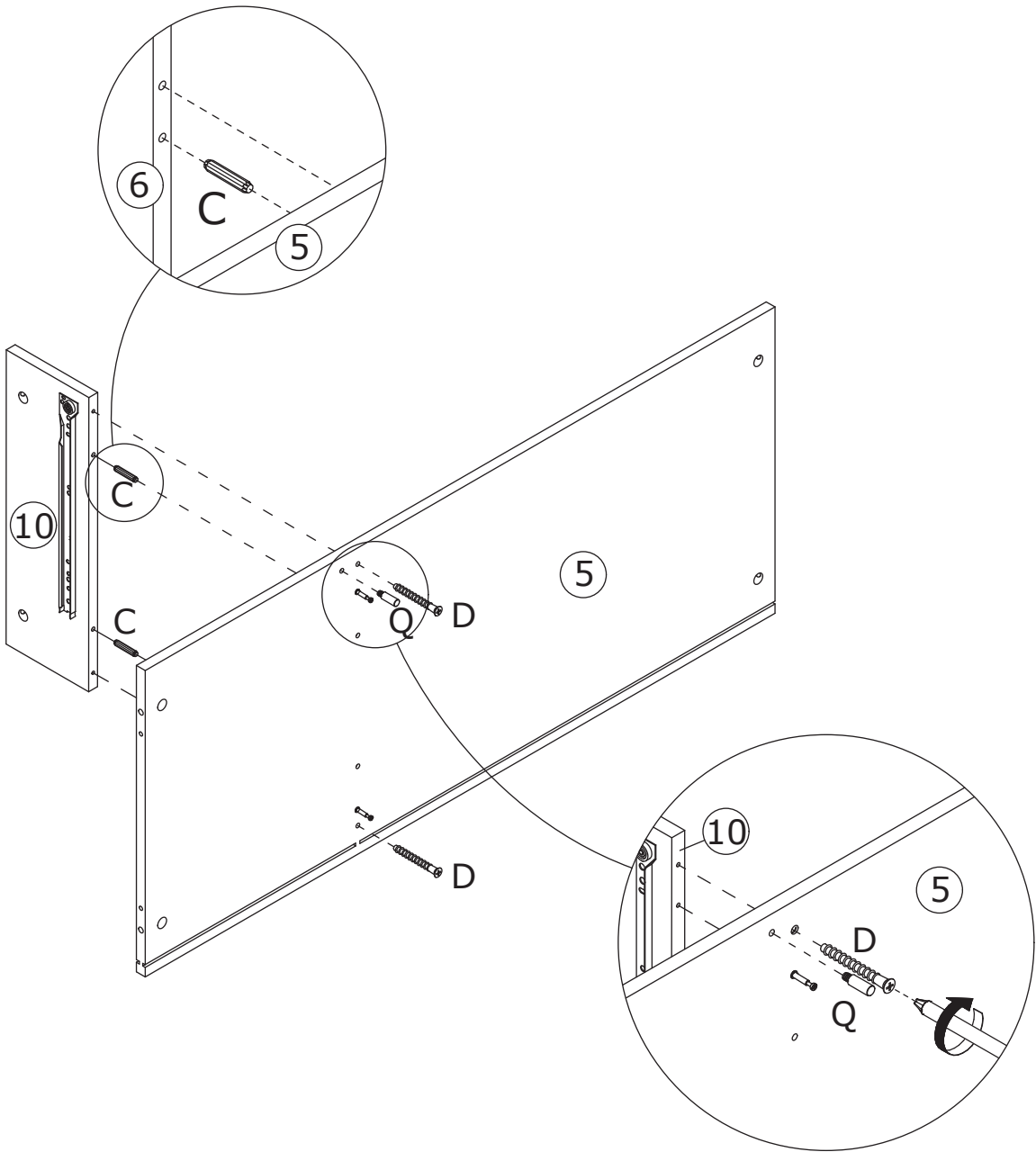


3

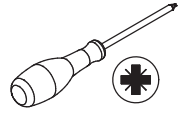
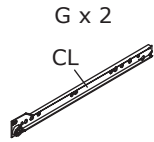
<p>C x 2</p>  <p>CRF0630A</p>	<p>D x 2</p>  <p>CRC0540A</p>	<p>Q x 1</p>  <p>M5 mm</p>	
--	--	---	---



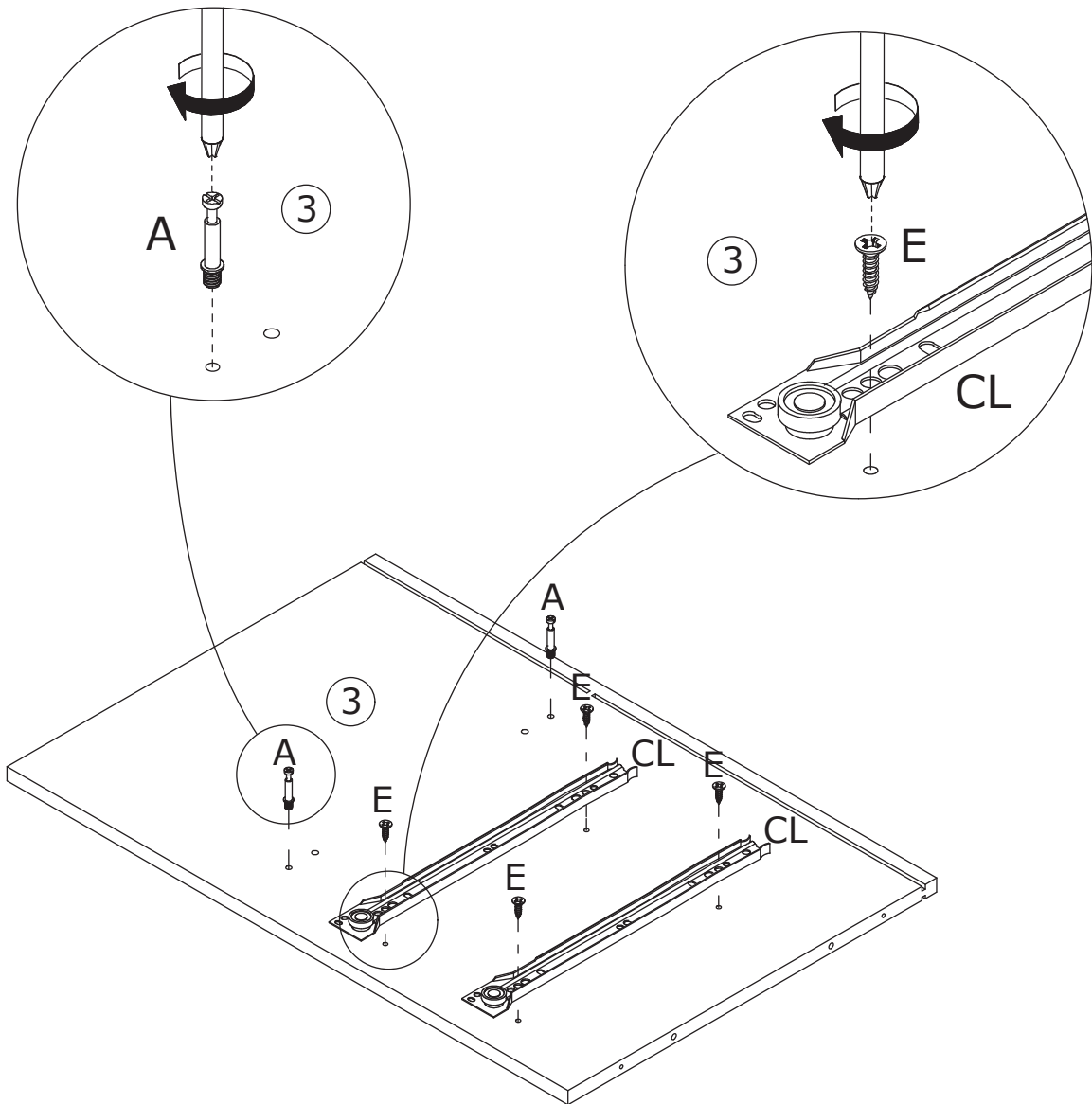
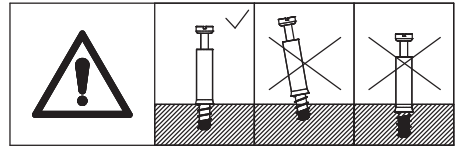
Use dowels (C) to attach board 10 to board 5 and secure with screws (D).
Install the accessory (Q) into plate 5.



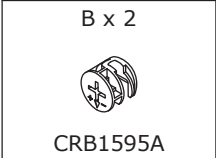
4



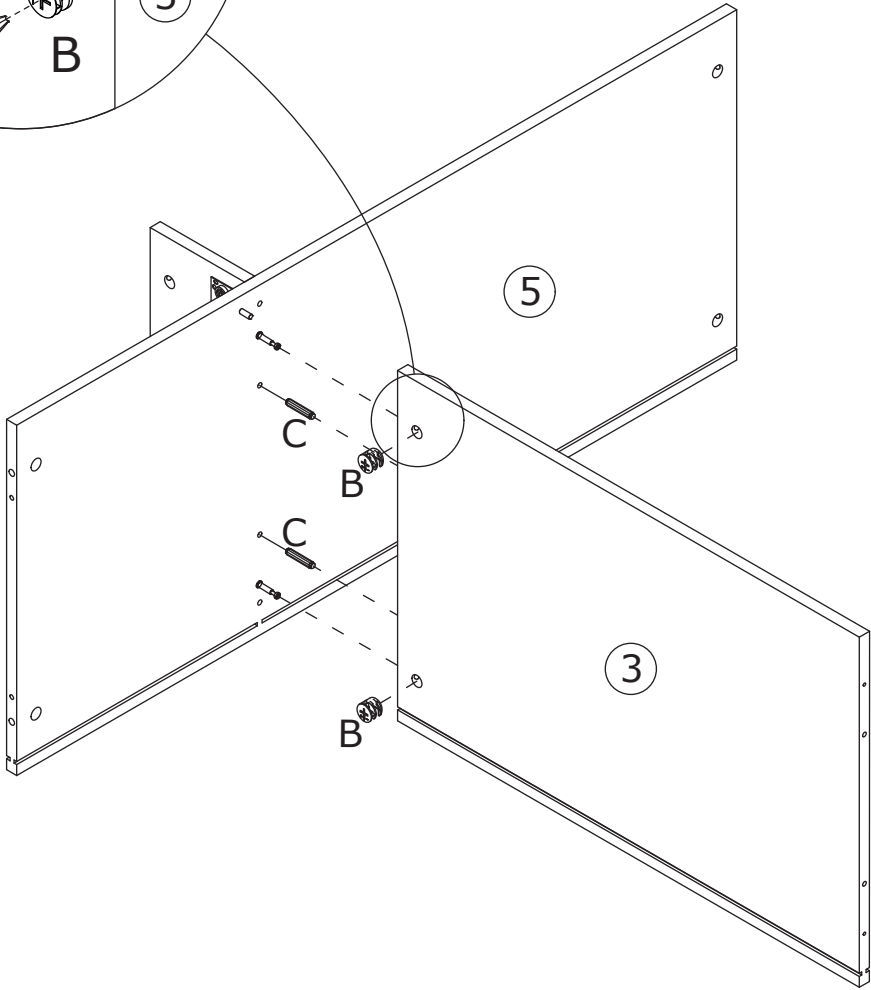
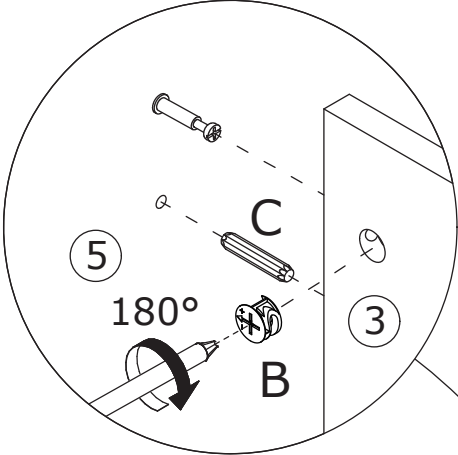
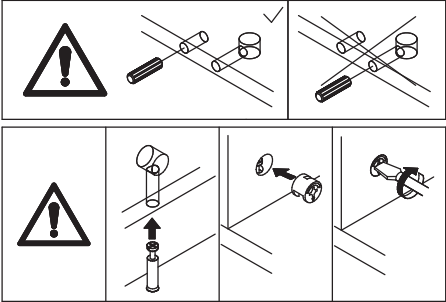
Use screws (E) to install slide rail (CL) to plate 3, and secure screw (A) to plate 3.



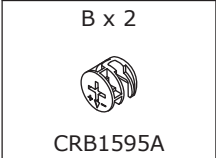
5



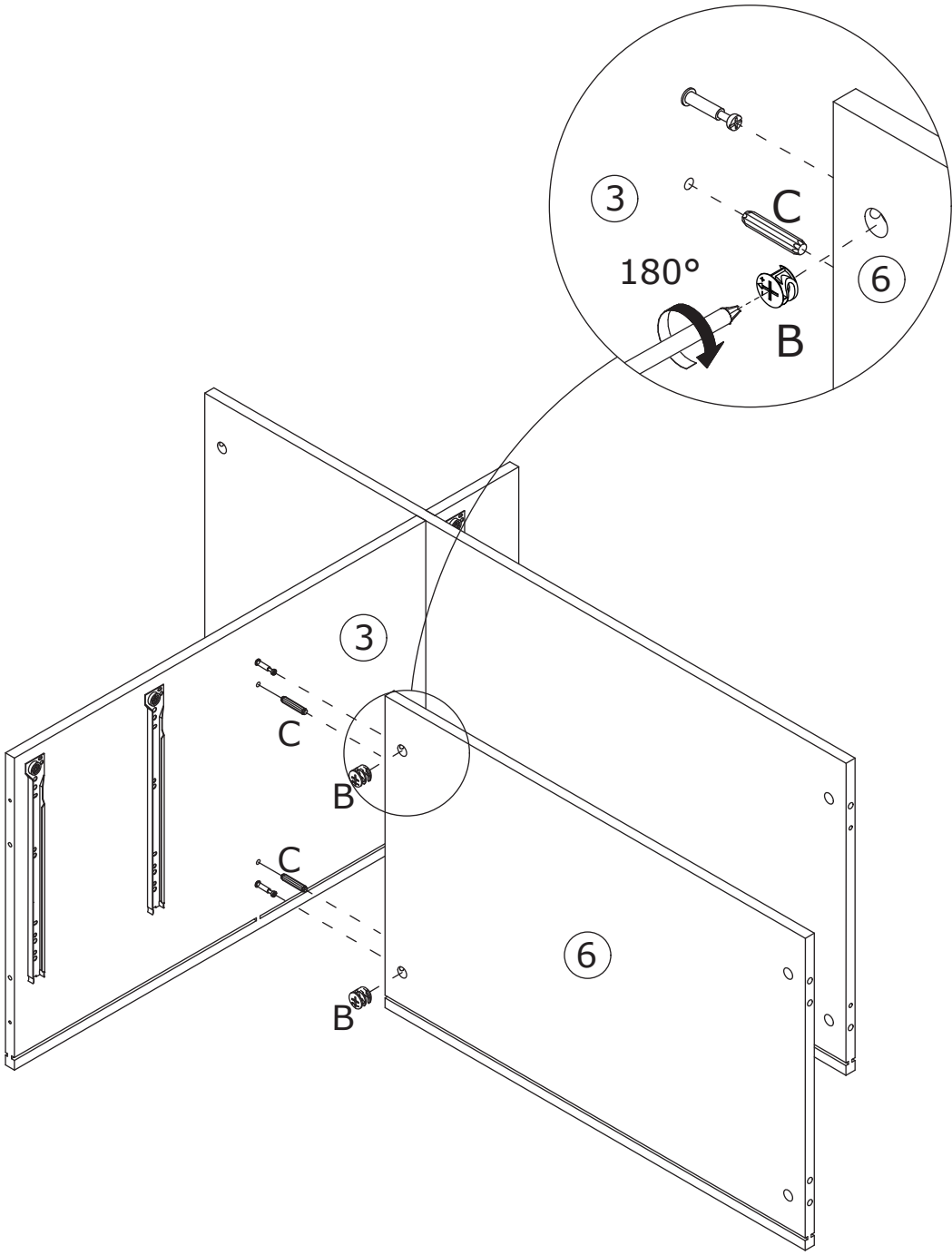
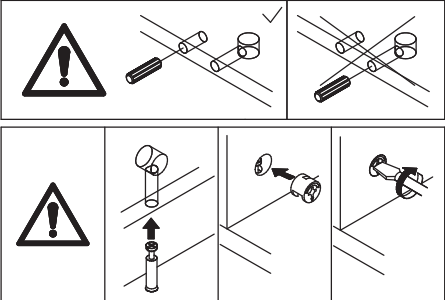
Use dowels (C) to connect plate 3 to plate 5, add eccentric wheel (B) into plate 3 and tighten it by turning it clockwise.



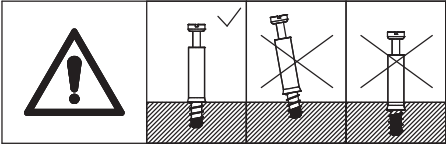
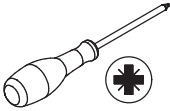
6



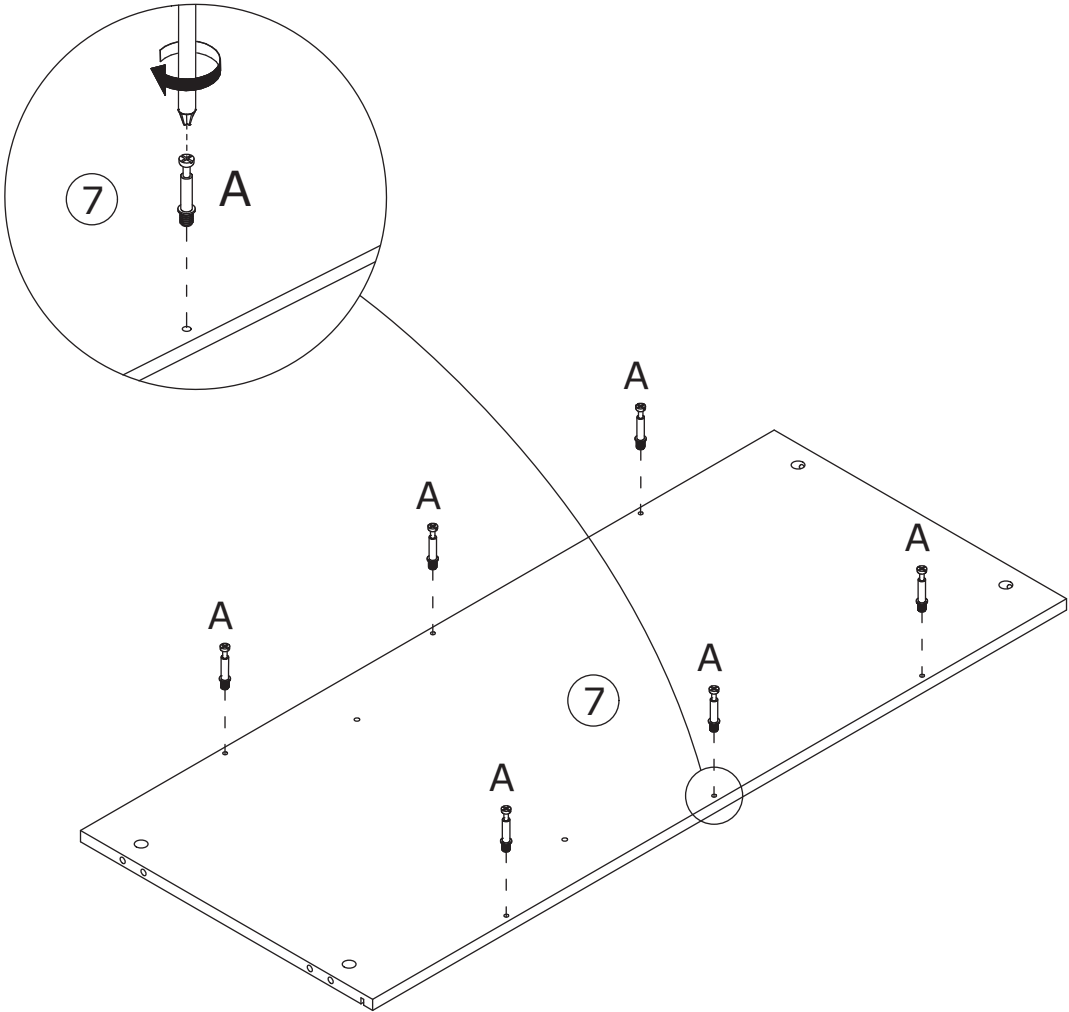
Use dowels (C) to connect plate 3 to plate 6, add eccentric wheel (B) into plate 6 and turn clockwise to tighten.



7

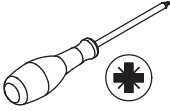


Secure screw (A) to plate 7 as shown.

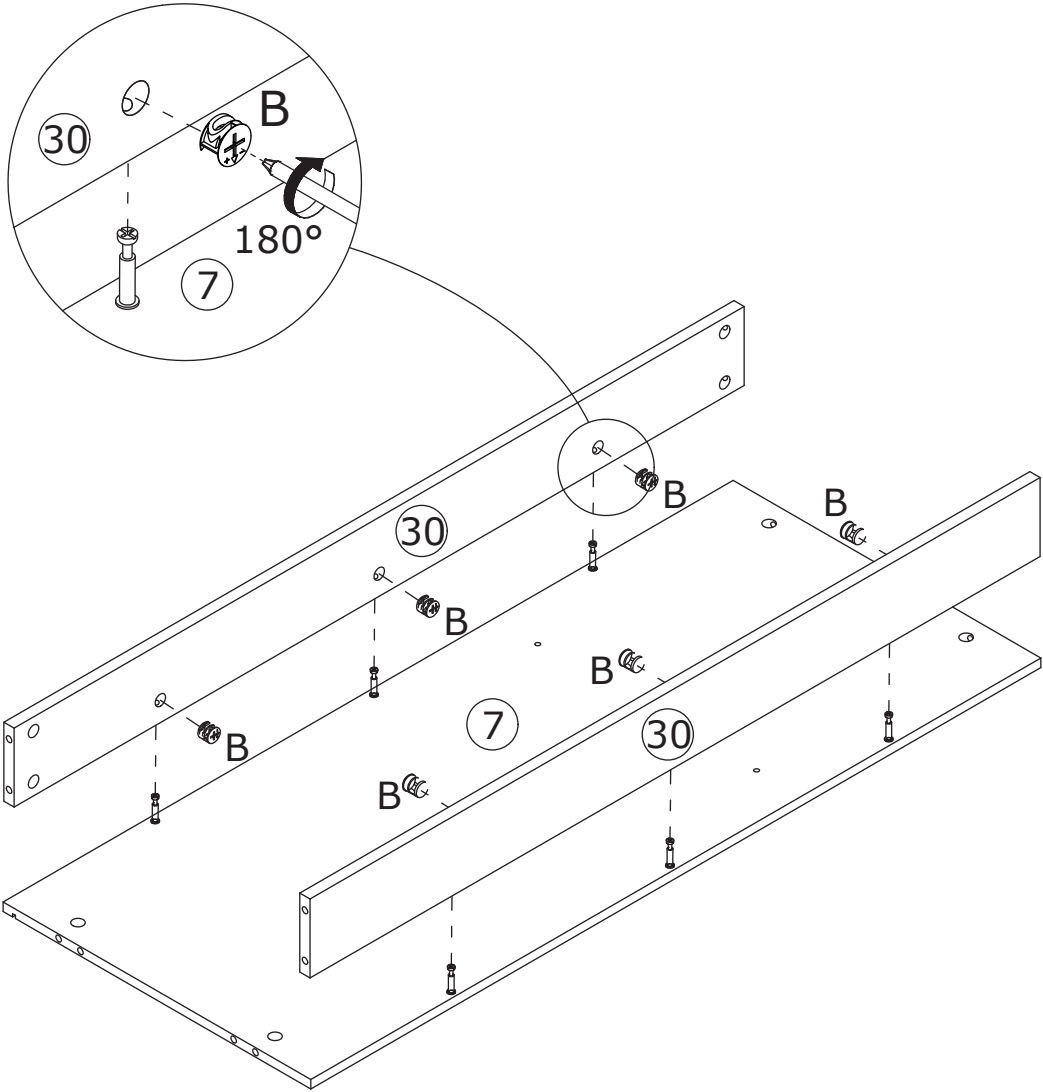
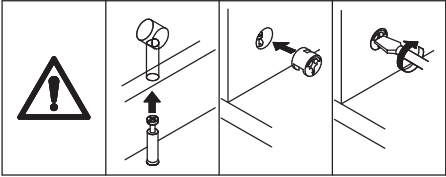


8

B x 6
CRB1595A



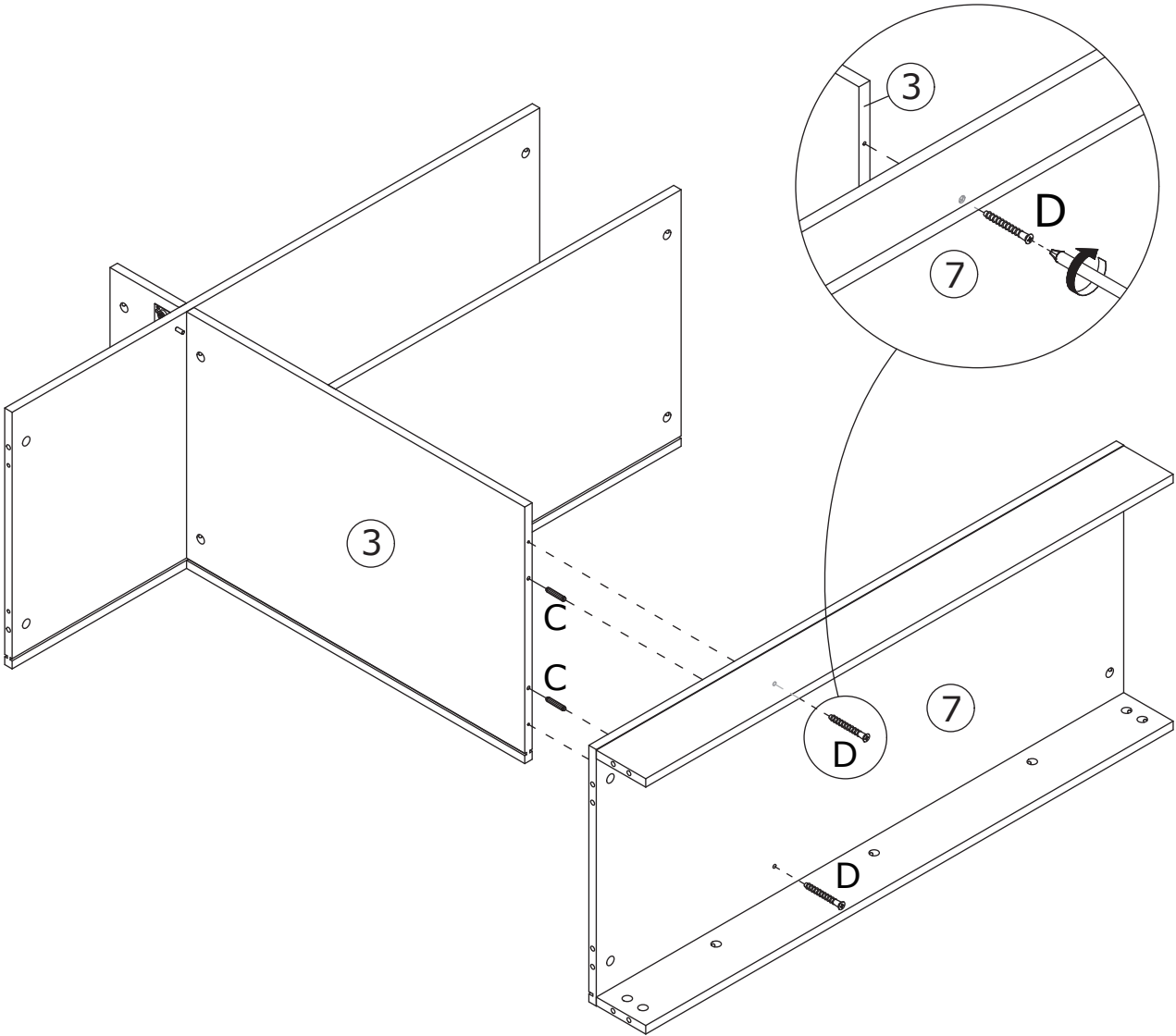
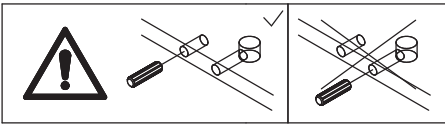
Connect the plate 7 to the plate 30, add eccentric wheel (B) and tighten it by turning it clockwise.



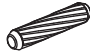

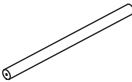

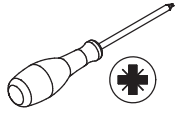
9

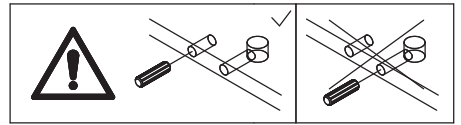


Use dowels (C) to attach plate 3 to plate 7, and secure with screws (D).

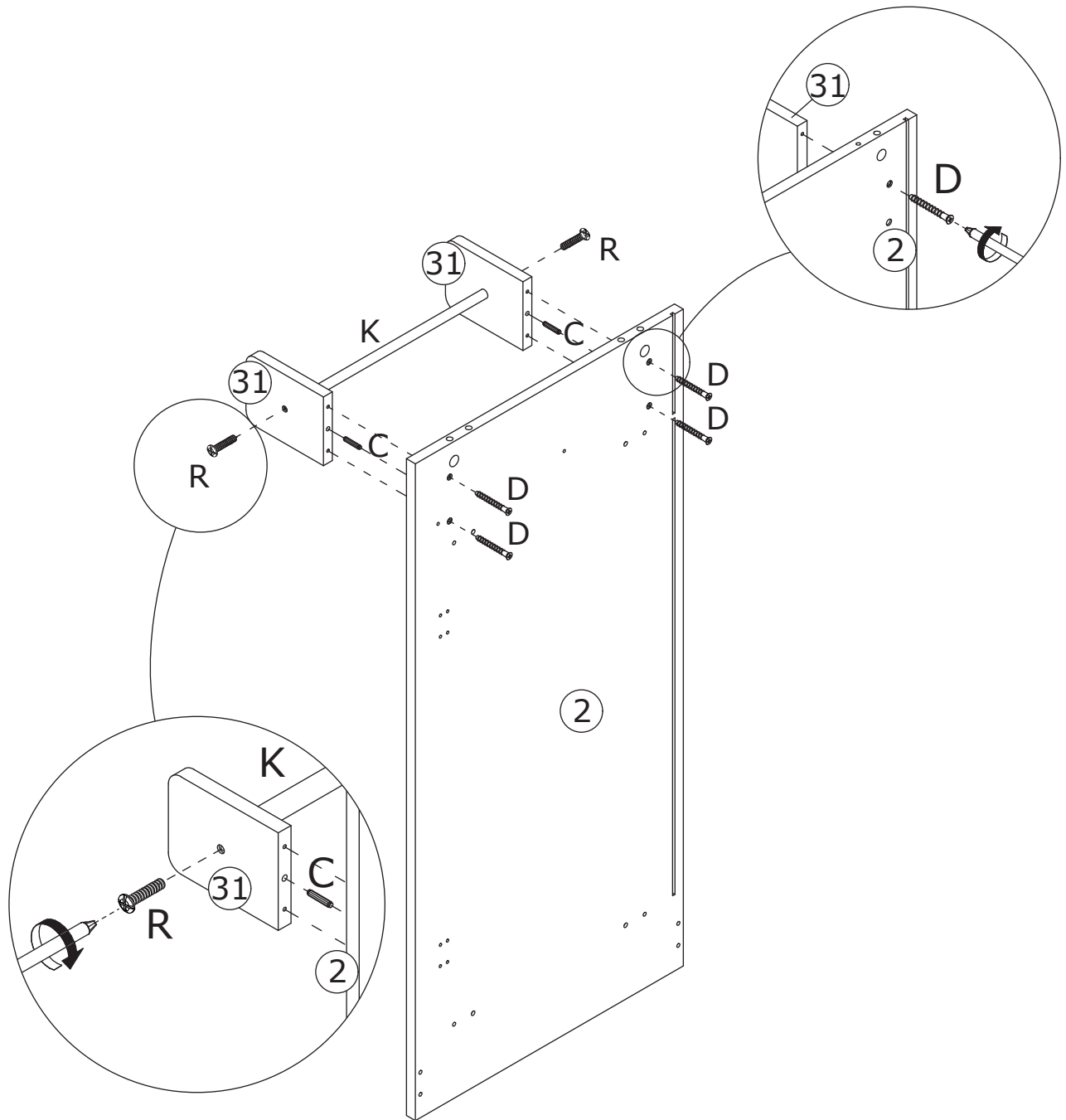


10

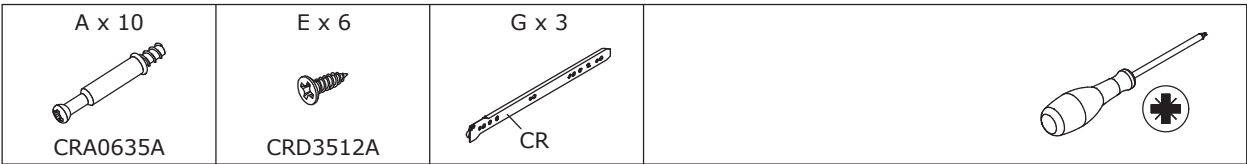
C x 2  CRF0630A	D x 4  CRC0540A	K x 1 	R x 2  Ø6 x 25 mm	
--	--	--	---	---



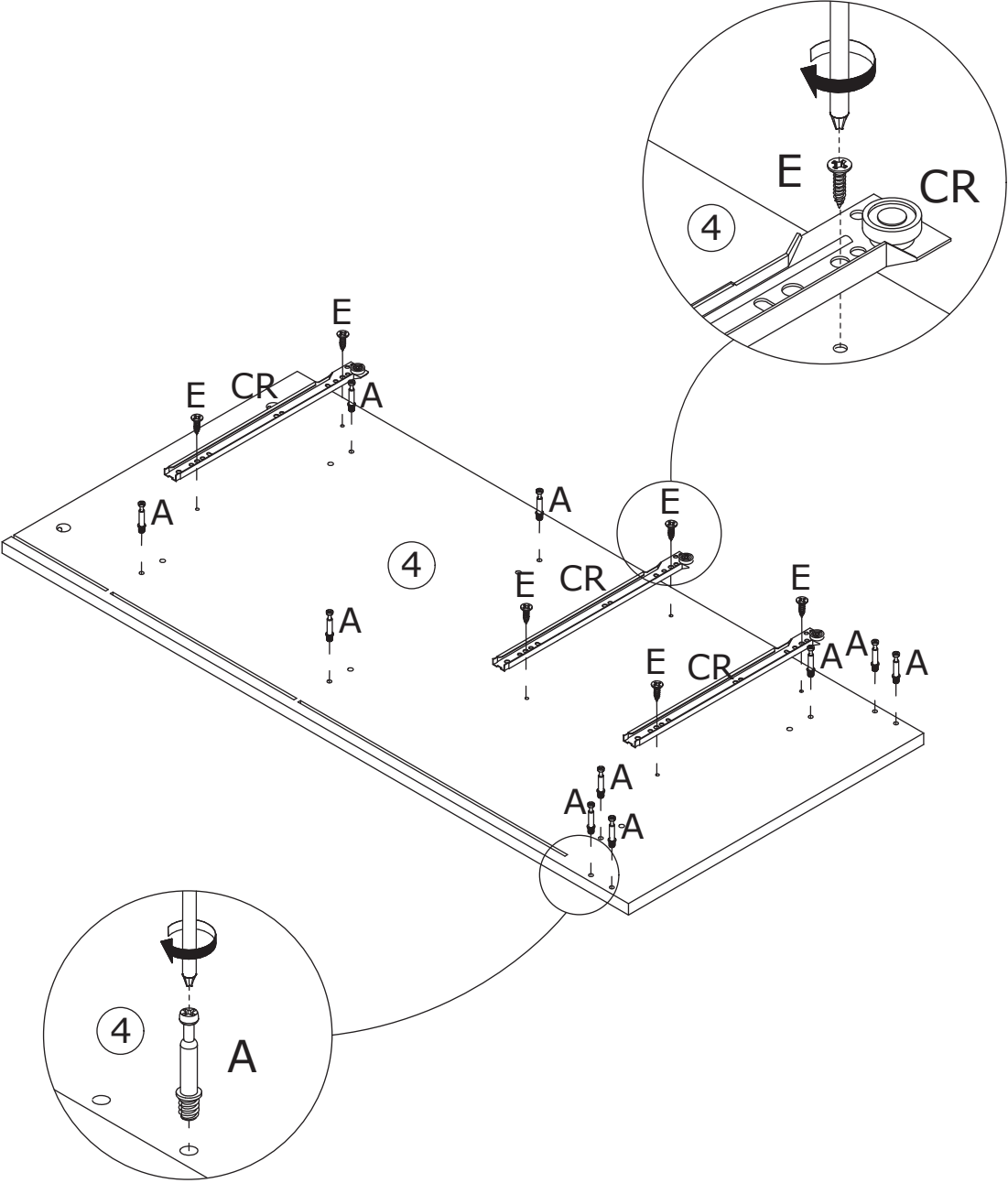
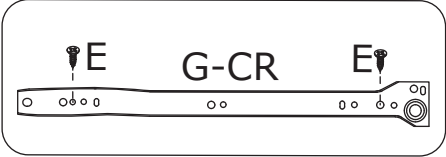
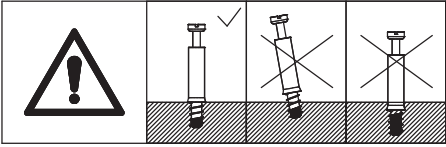
Use screws (R) to attach the hanging rod (K) to plate 31 as shown.
Use dowels (C) to connect plate 2 to plate 31,
and secure with screws (D).



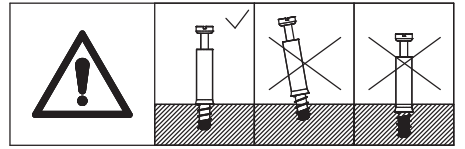
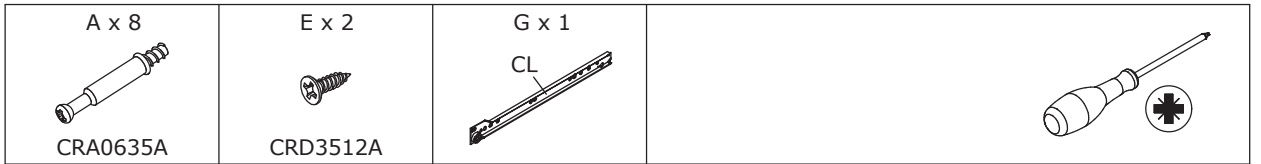
11



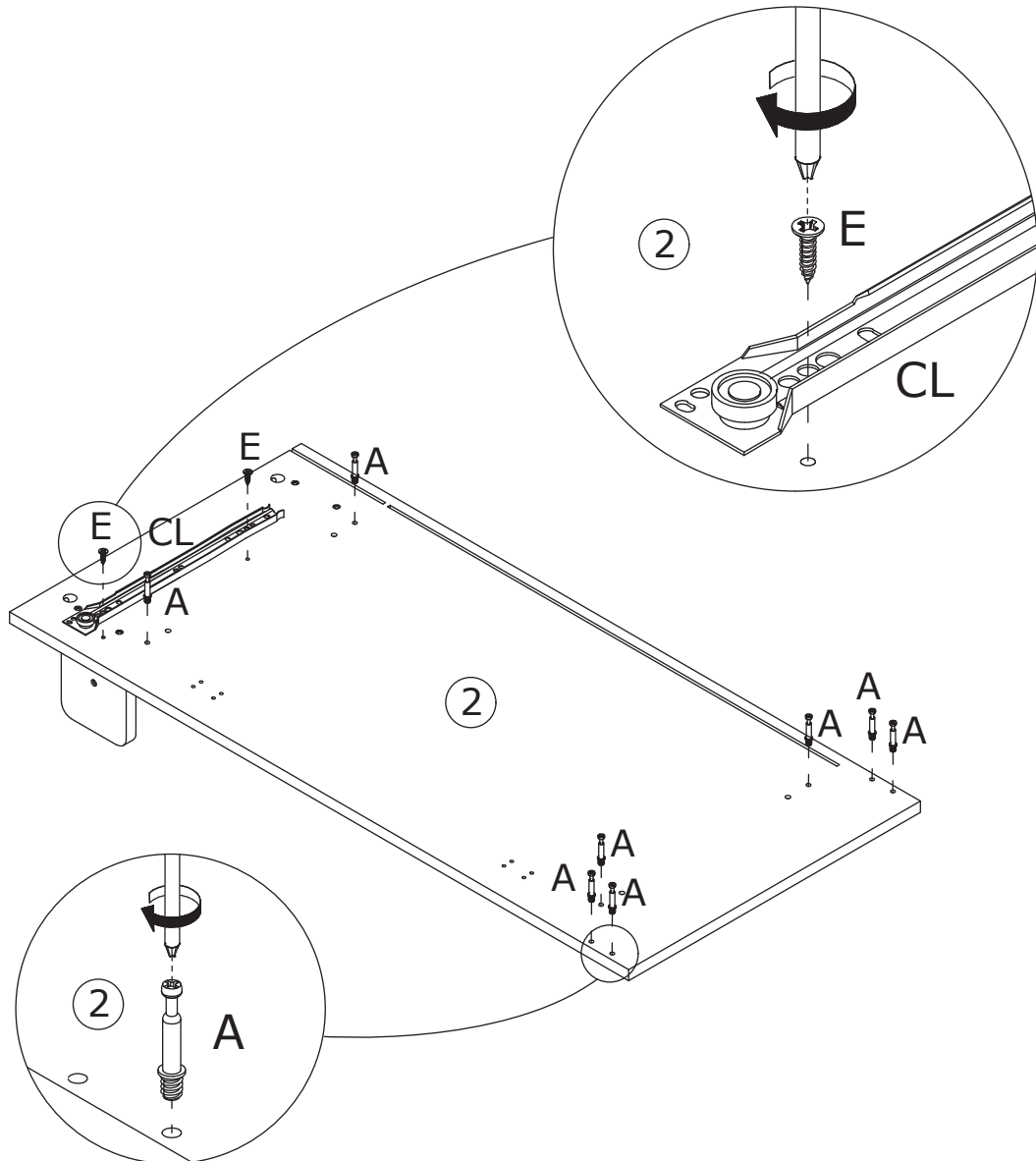
Use screws (E) to install slide rail (CR) to plate 4 and secure screw (A) as shown.



12



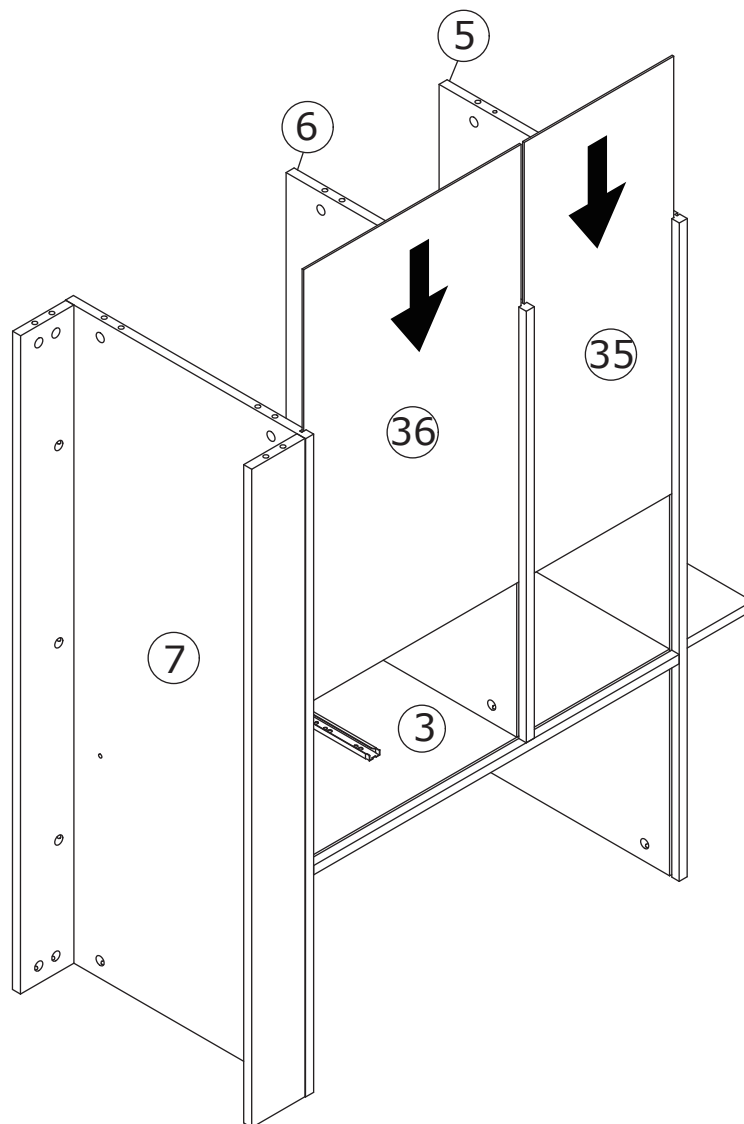
Use screws (E) to install slide rail (CL) to plate 2 and secure screw (A) to plate 2 as shown.



13



Insert plate 35 and 36 along slots as shown.



14

B x 10

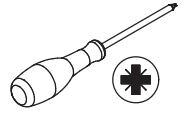


CRB1595A

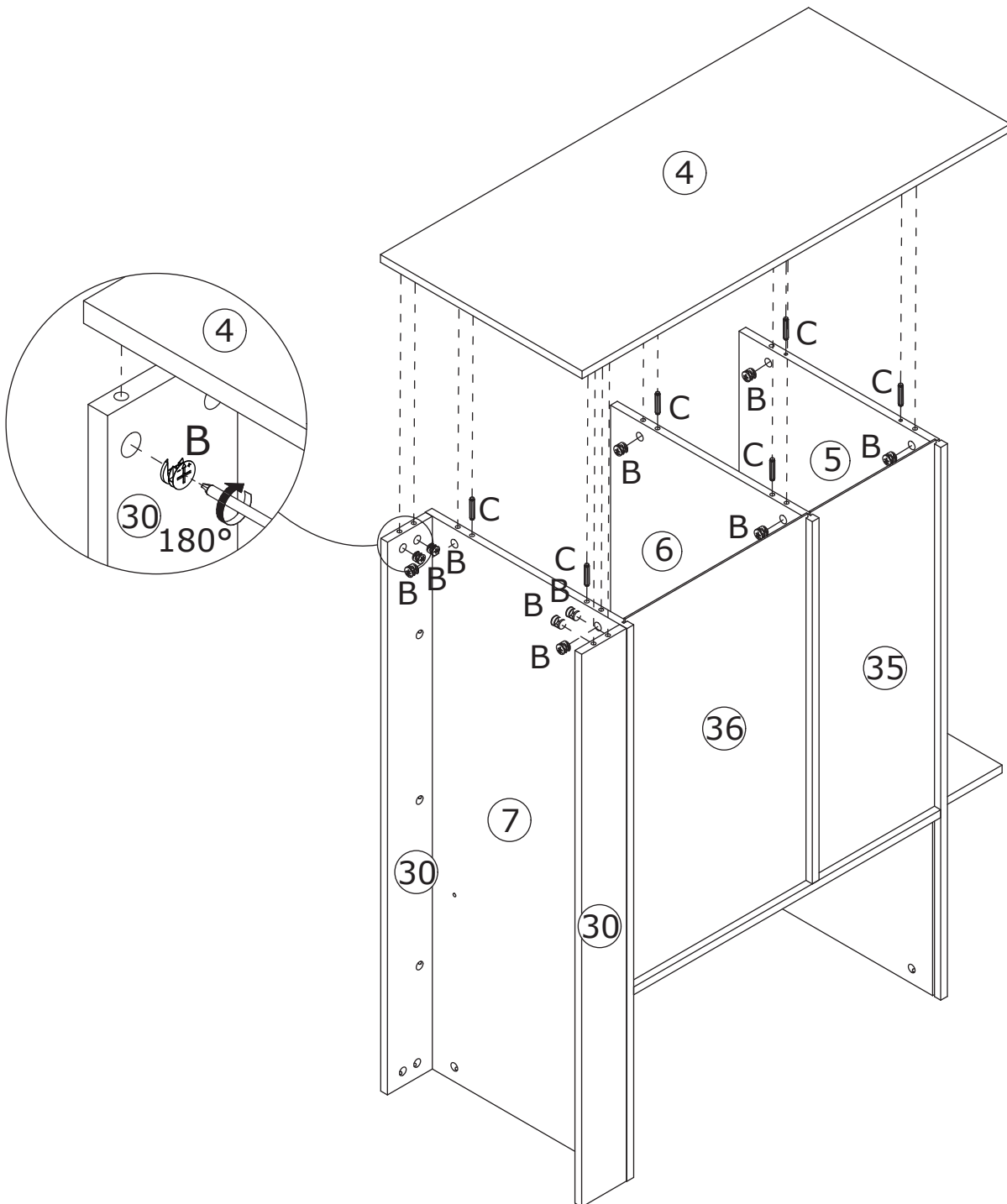
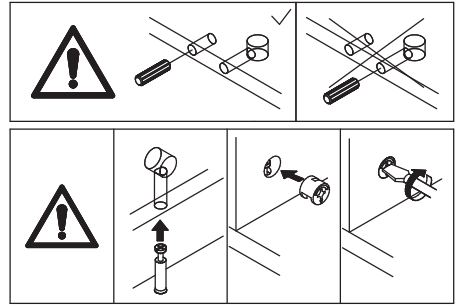
C x 6



CRF0630A

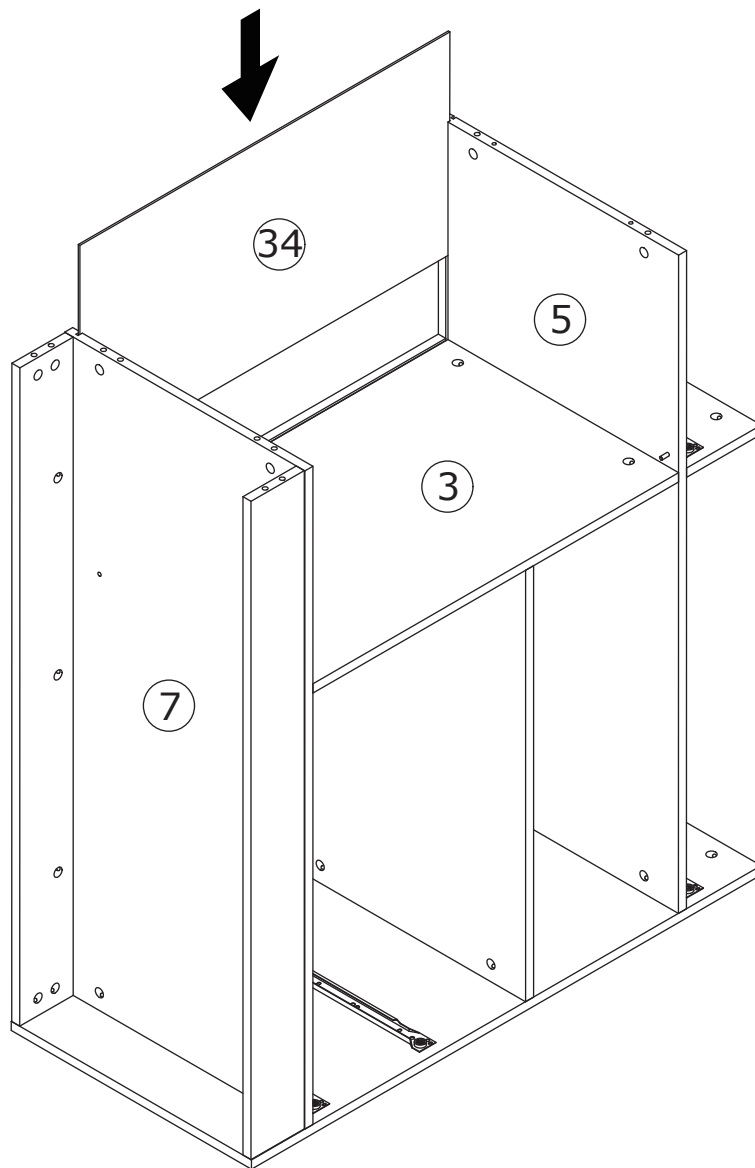


Use dowels (C) to connect plate 4 to plates 5, 6, 7, 30, add the eccentric wheel (B) into and tighten by turning clockwise.



15

Insert plate 34 along slots.



16

B x 8

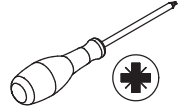


CRB1595A

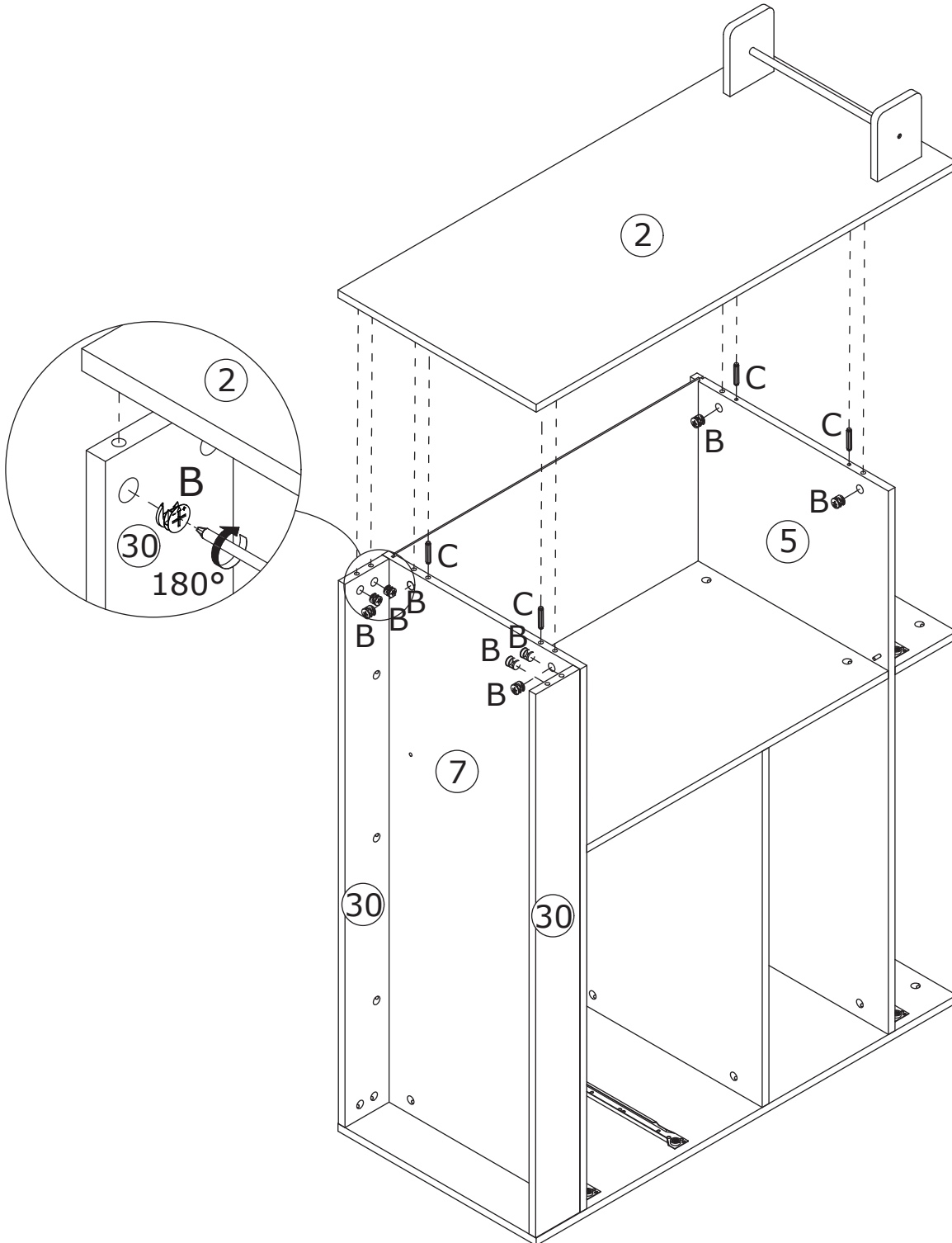
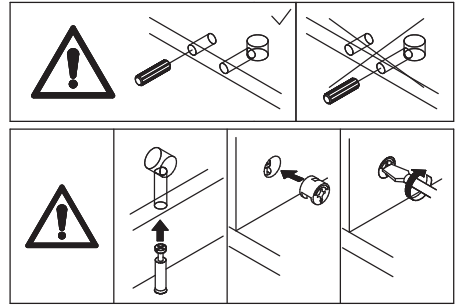
C x 4



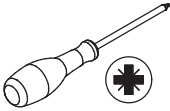
CRF0630A



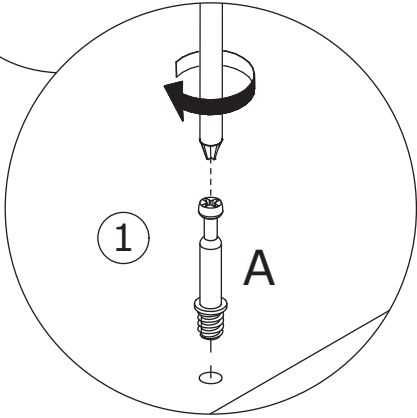
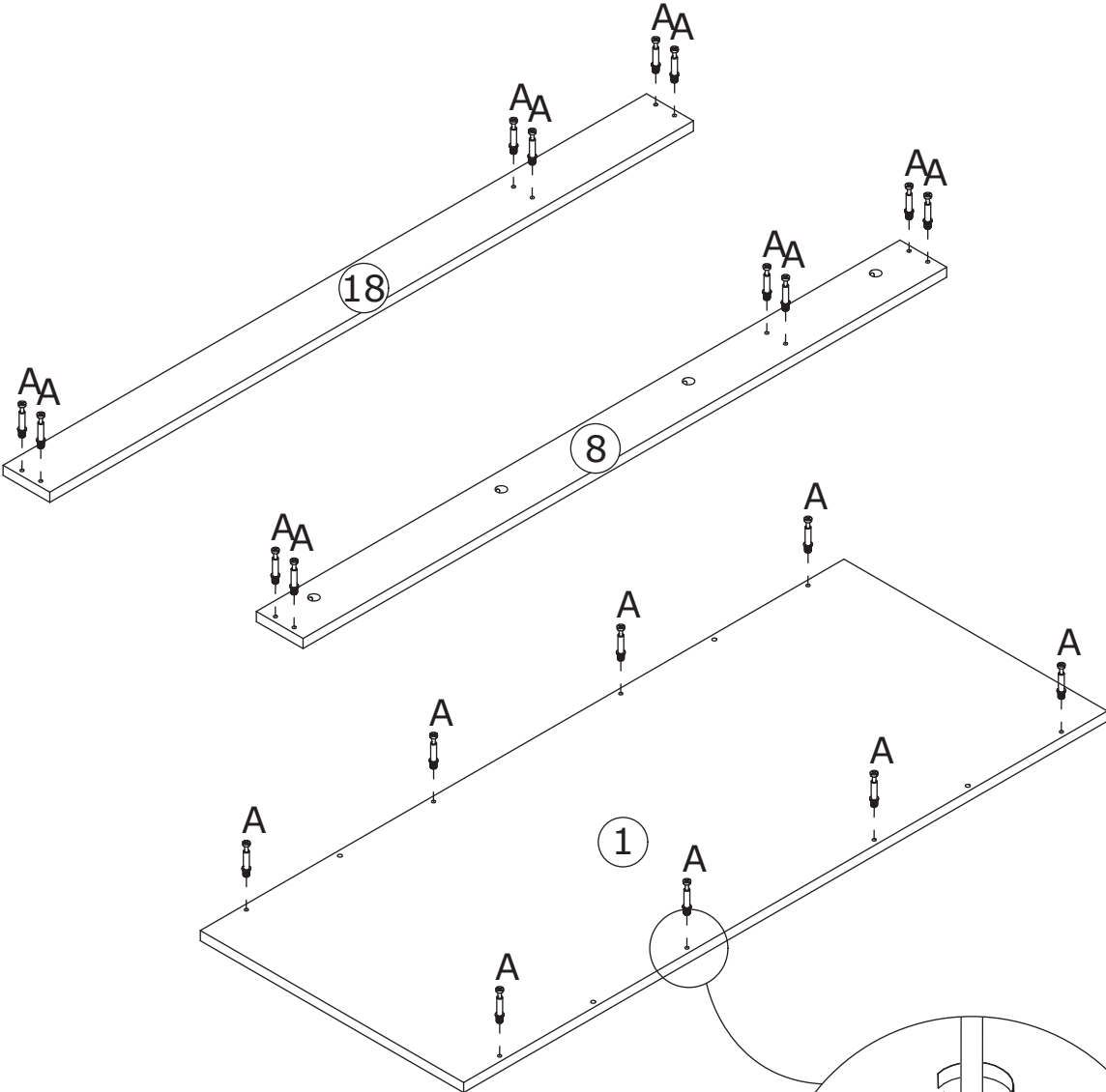
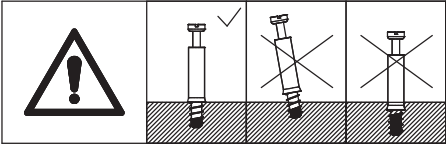
Use dowels (C) to connect plate 2 to plates 5, 7, and 30, add eccentric wheel (B) into and tighten by turning clockwise.



17



Secure screw (A) to plates 1, 8, 18 as shown.



18

B x 20

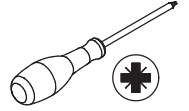


CRB1595A

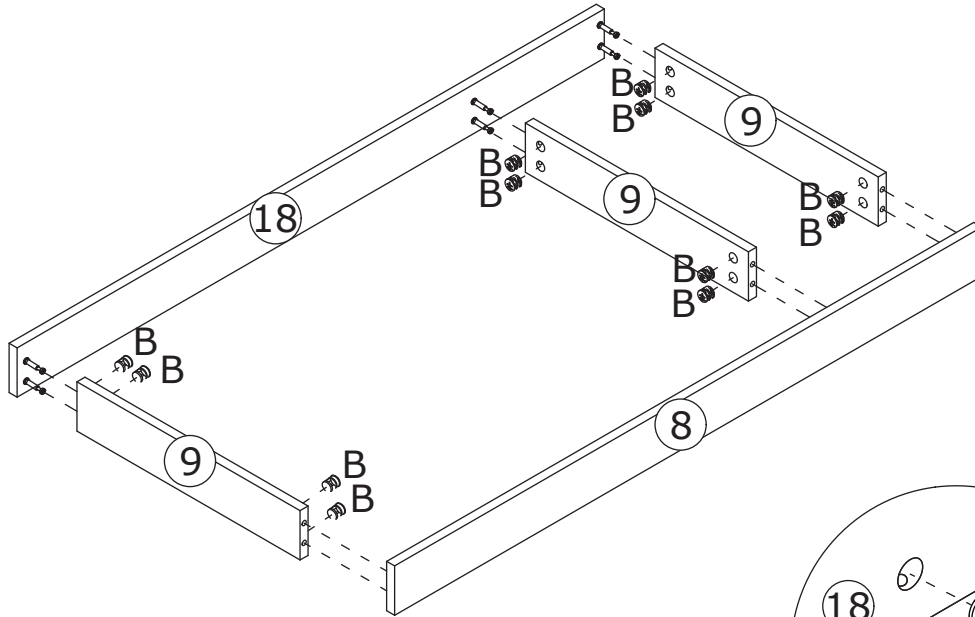
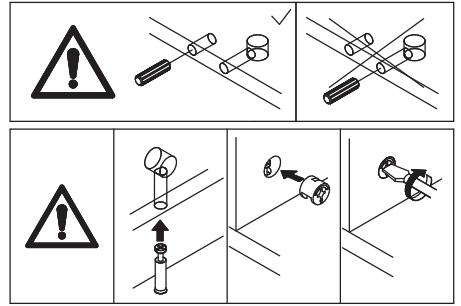
C x 4



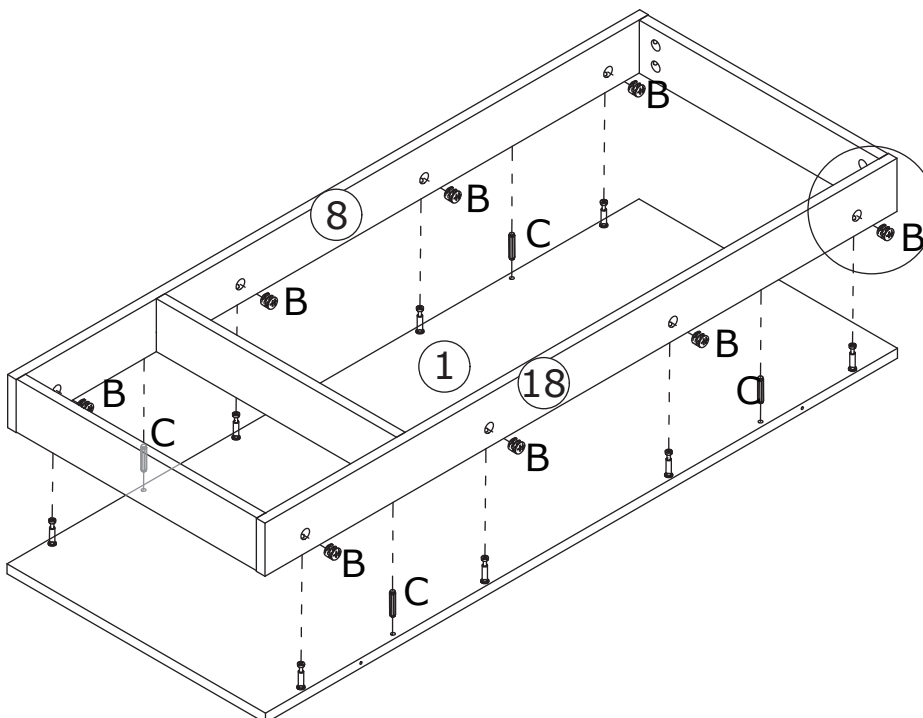
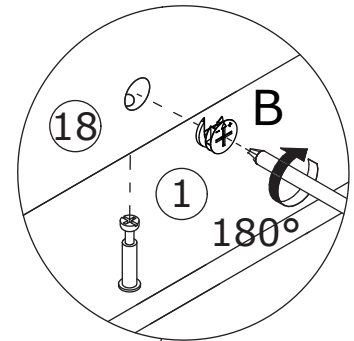
CRF0630A



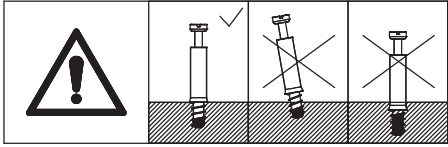
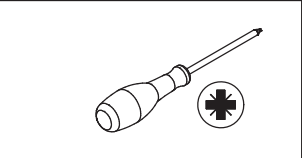
Connect plate 9 to plates 8 and 18, add eccentric wheel (B) and tighten it by turning it clockwise.



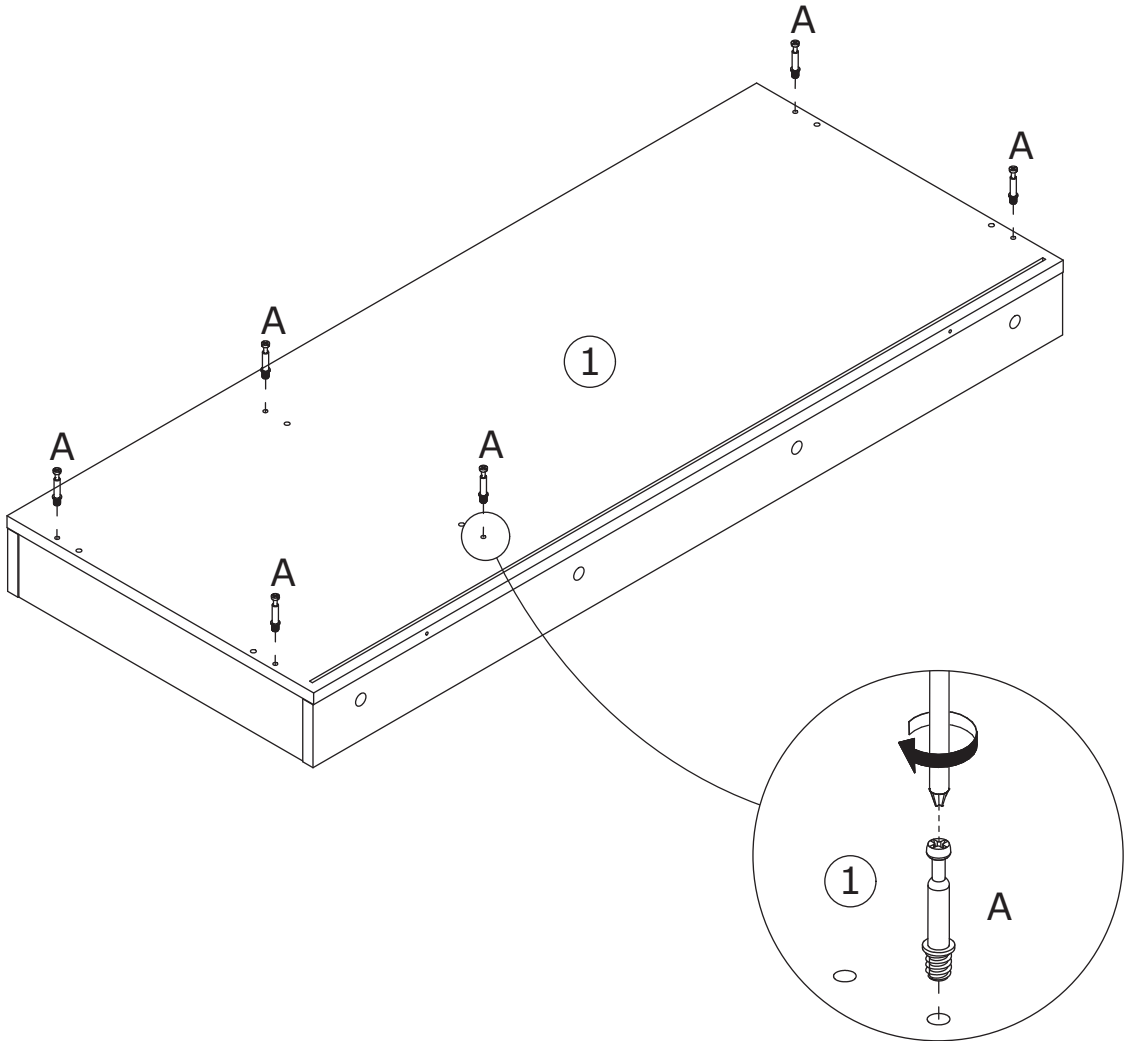
Use dowels (C) to connect plate 1 to the component, add eccentric wheels (B) and tighten by turning clockwise.



19



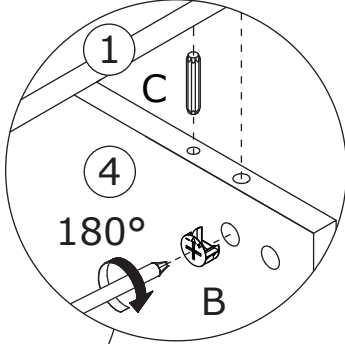
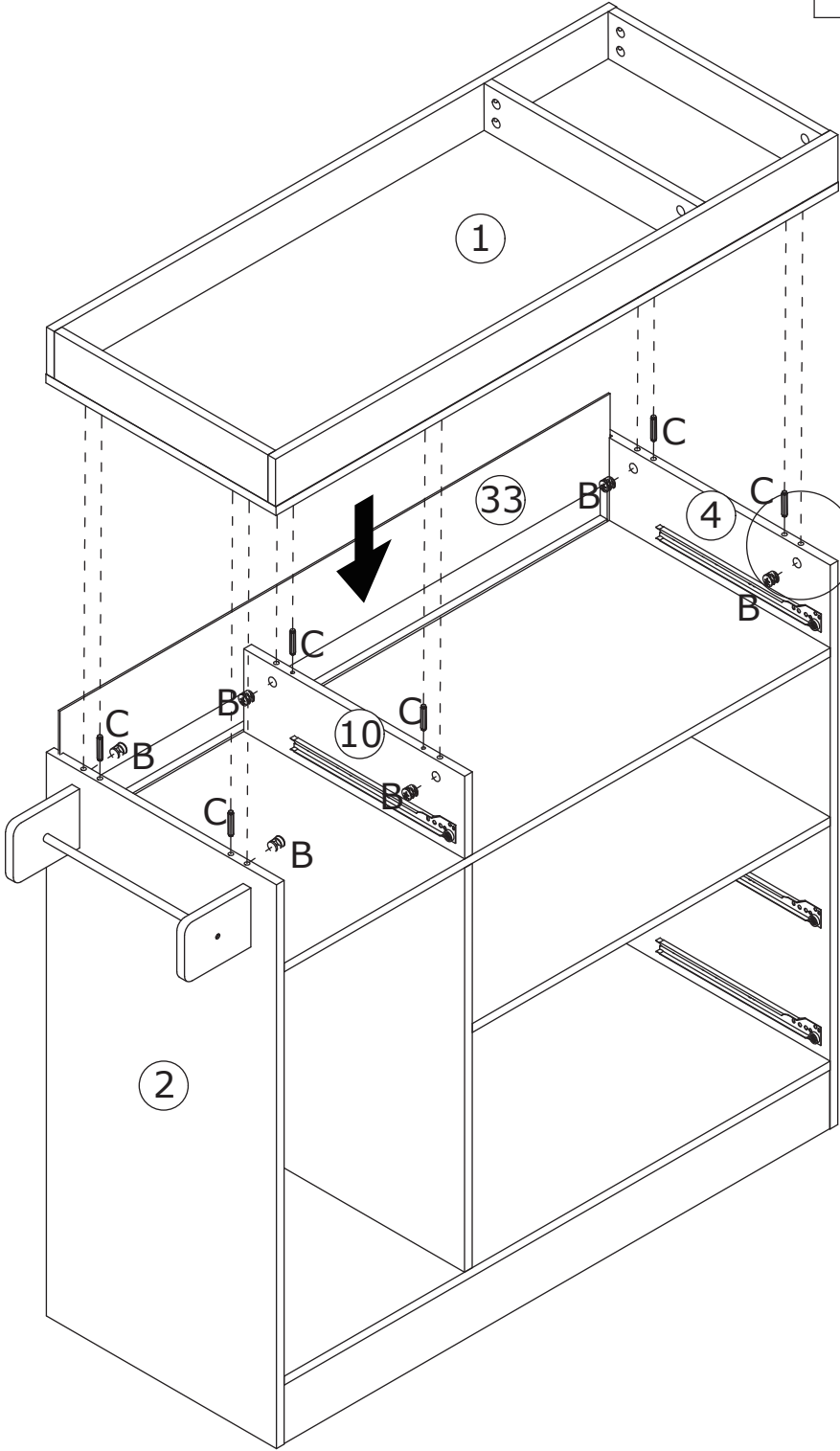
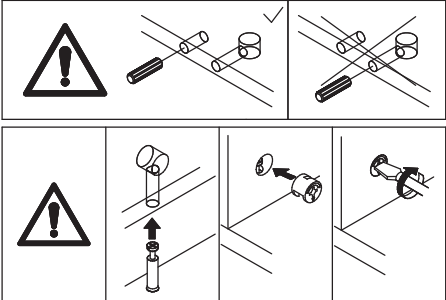
Secure screw (A) to plate 1 as shown.



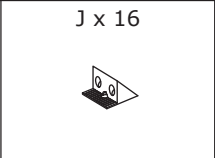
20



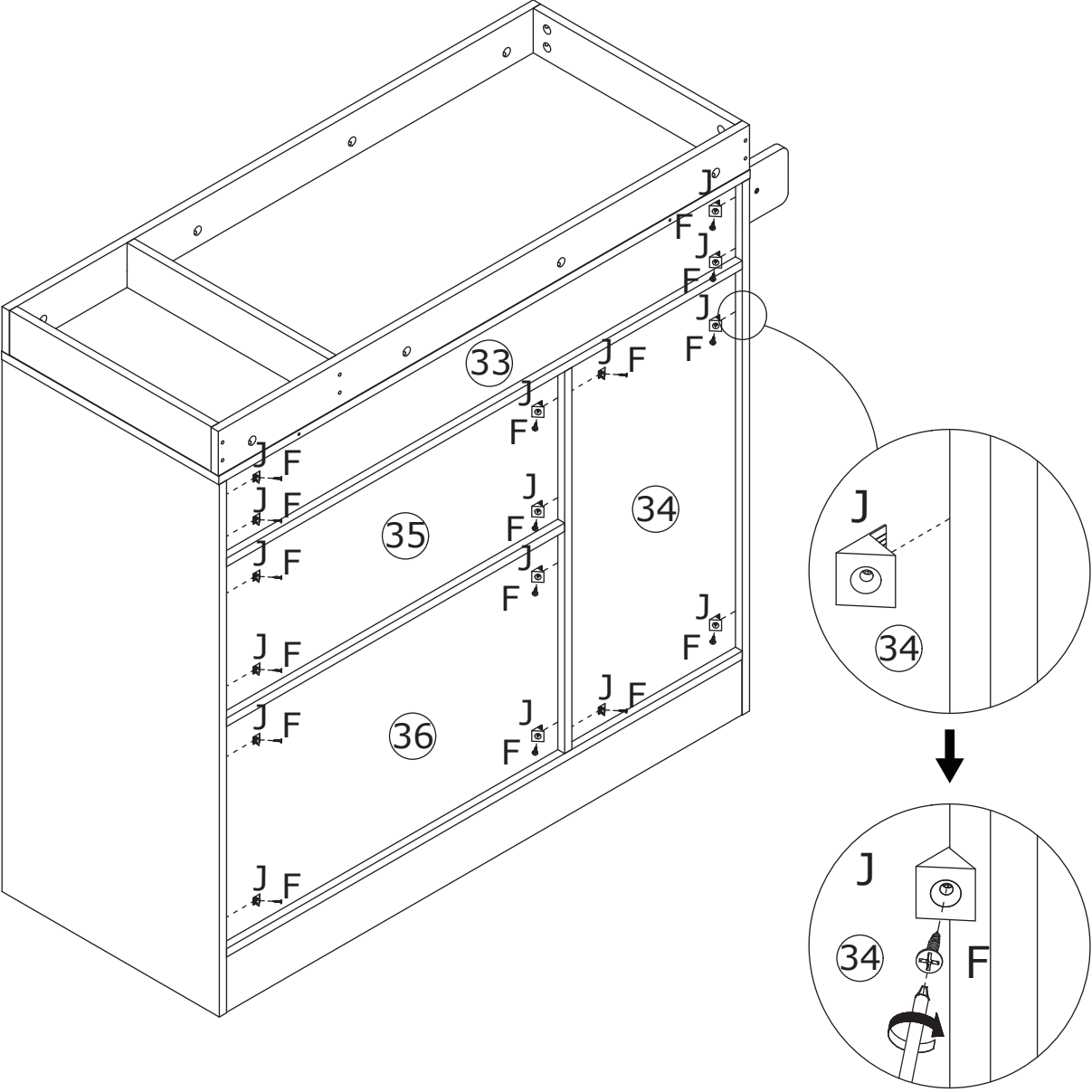
Insert plate 33 along slots as shown.
Use dowels (C) to connect plate 1 to plates 2,
4, and 10, add eccentric wheels (B) and
tighten them by turning them clockwise.



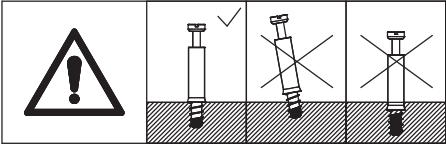
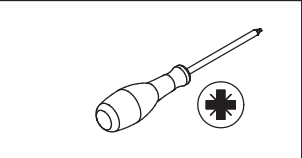
21



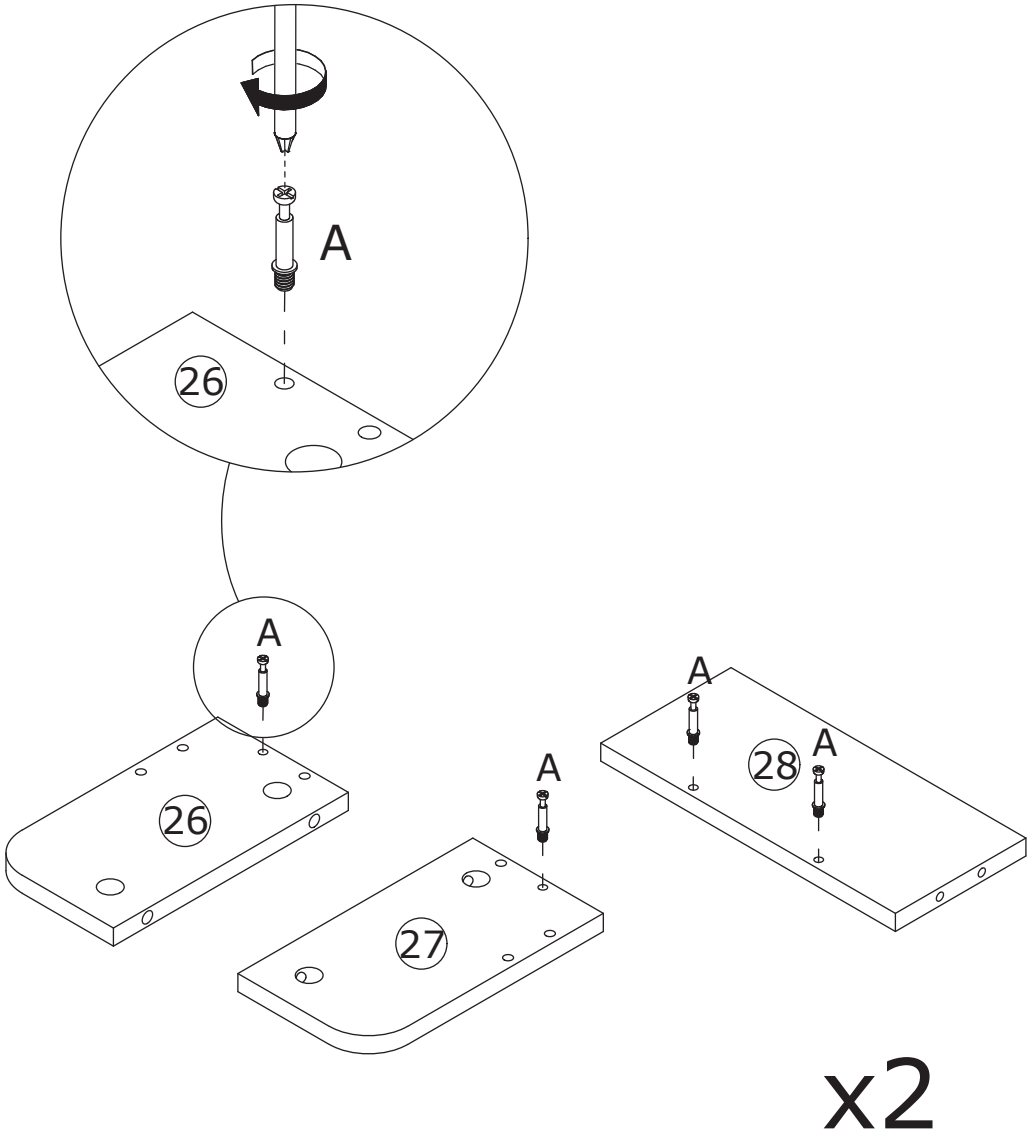
Insert the buckle (J) into back slots and secure with screws (F).



22



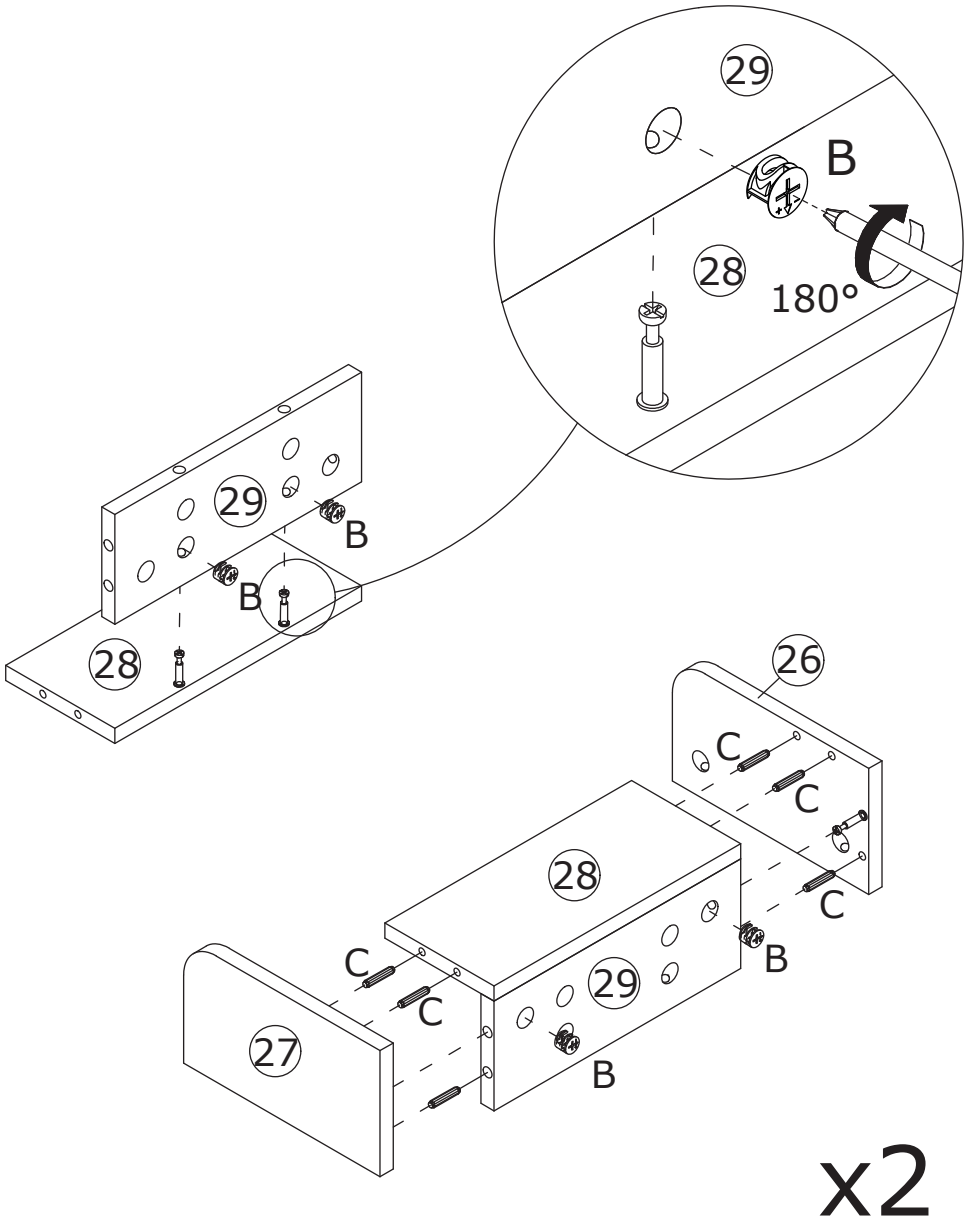
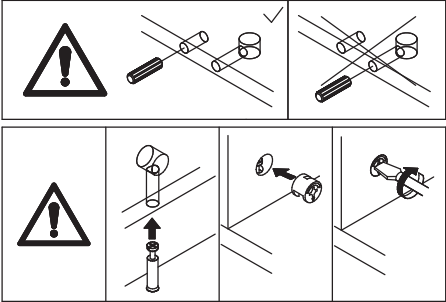
Secure screw (A) to plates 26, 27, 28 as shown



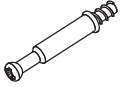




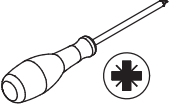
23

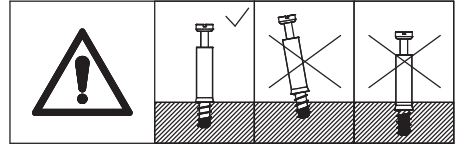
<p>B x 8</p>  <p>CRB1595A</p>	<p>C x 12</p>  <p>CRF0630A</p>	
--	---	---

Connect plate 28 to plate 29, add eccentric wheel (B) and tighten it by turning it clockwise.
Use dowels (C) to connect plates 26, 27 to plates 28, 29, add eccentric wheel (B) and tighten by turning clockwise.

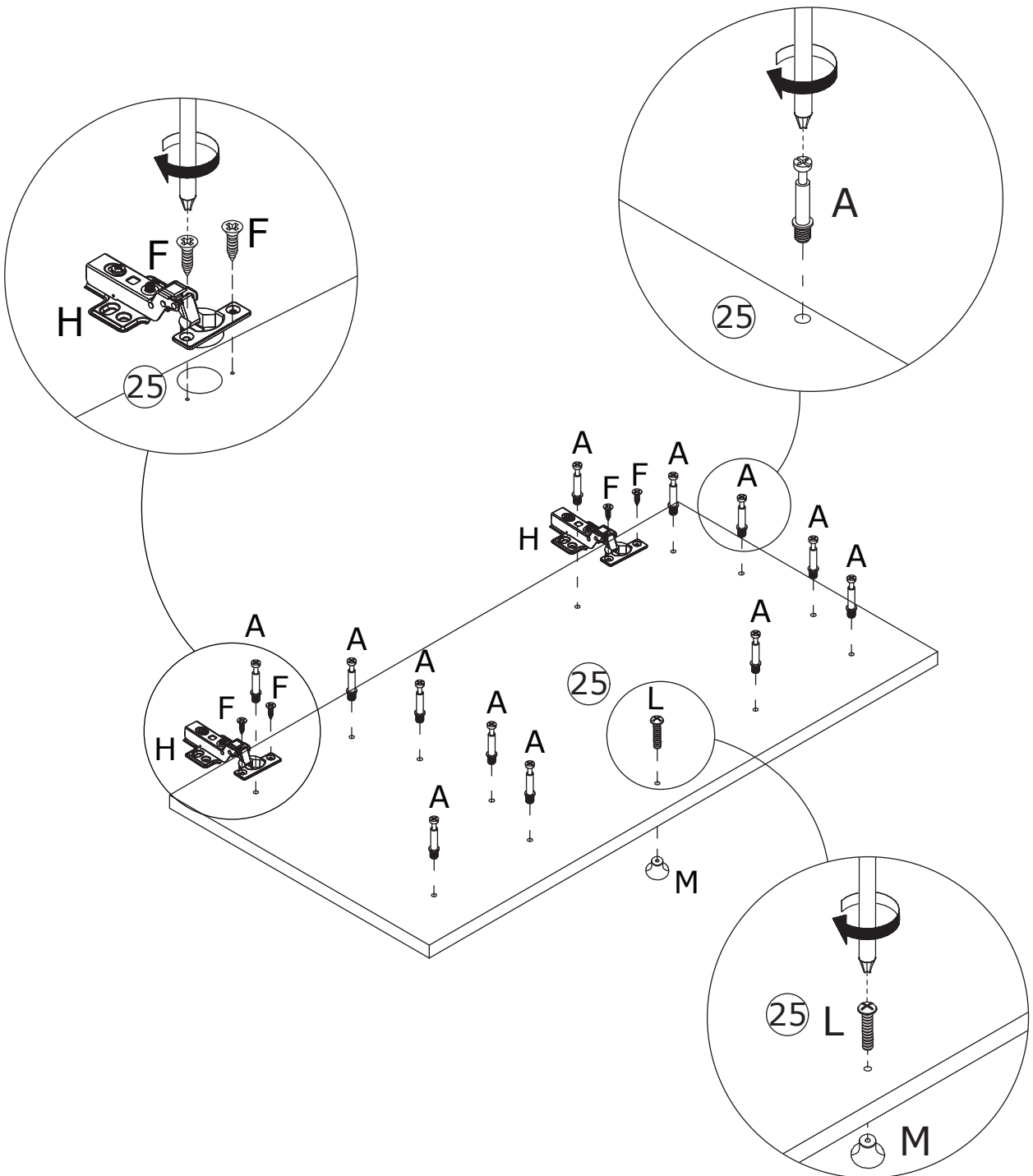


24

A x 12  CRA0635A	F x 4  CRD0414A	H x 2  DGA861B	L x 1  Ø4 x 18 mm	M x 1 	
---	--	---	---	--	---



Secure screw (A) to plate 25 as shown.
Use screws (F) to secure hinge (H) and
screws (L) to secure knob (M) to plate 25
as shown.

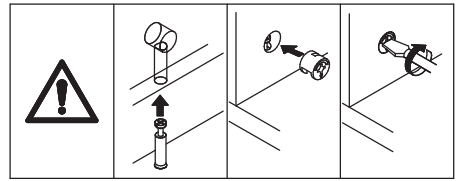
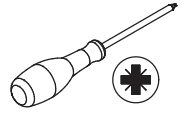


25

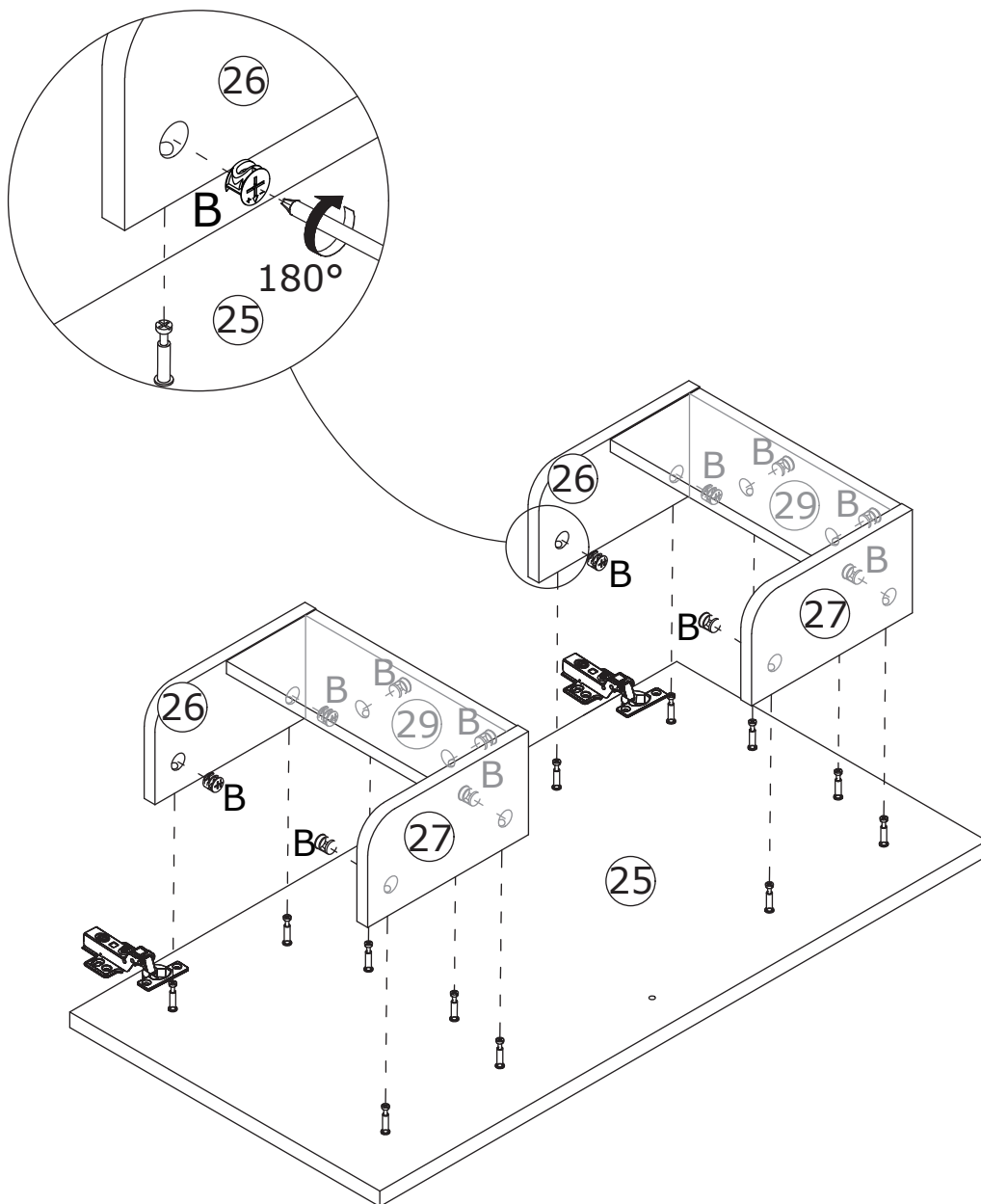
B x 12



CRB1595A



Attach the two components to plate 25, add eccentric wheel (B) and tighten by turning clockwise.

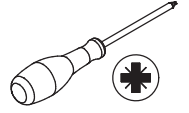


26

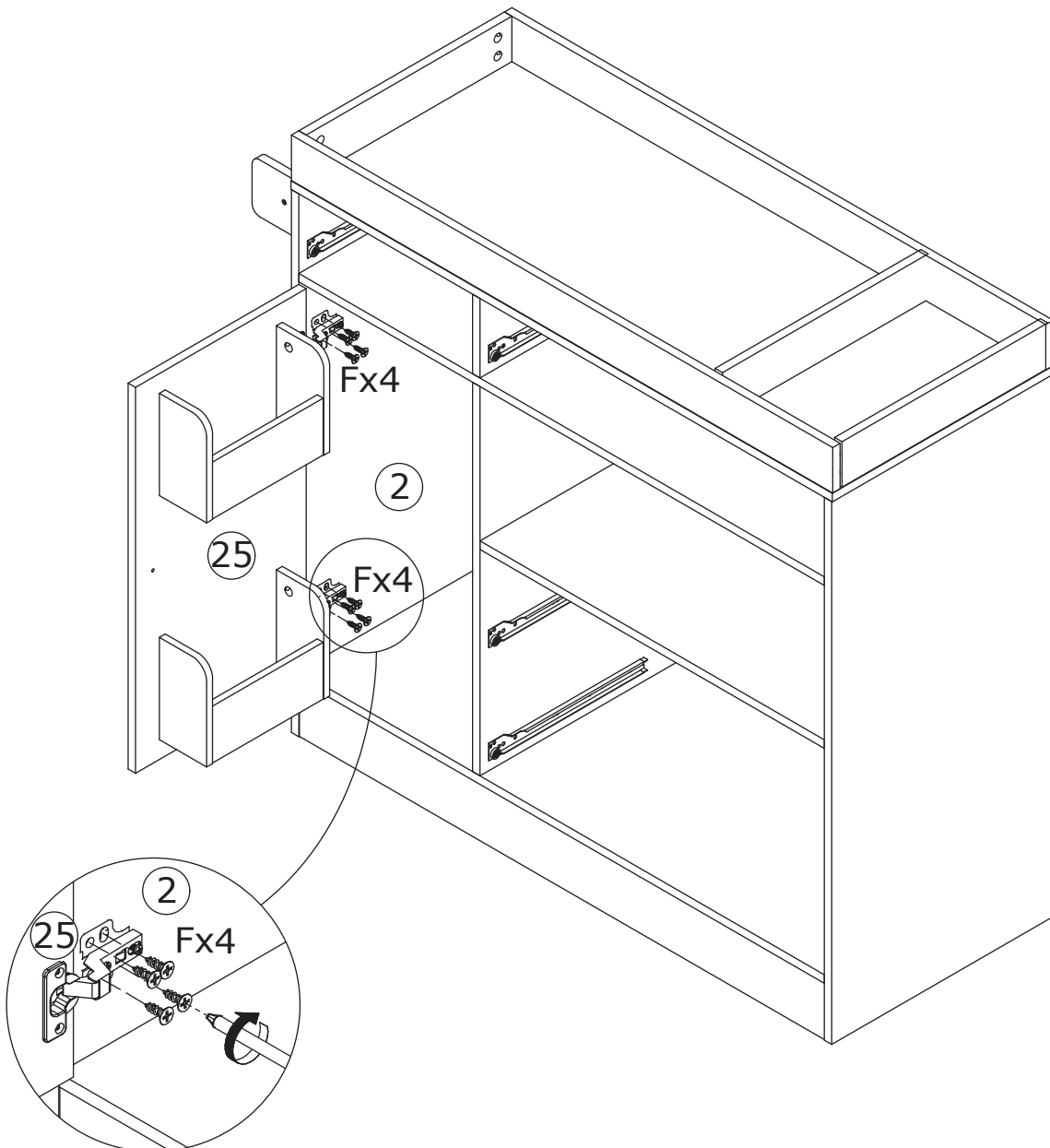
F x 8



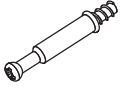


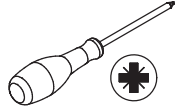
CRD0414A



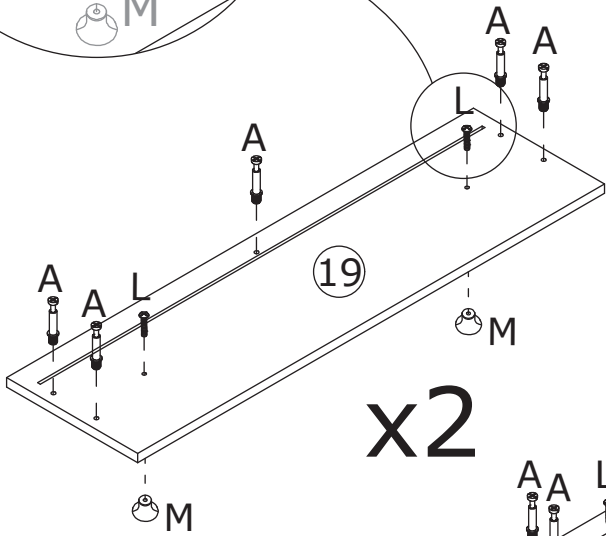
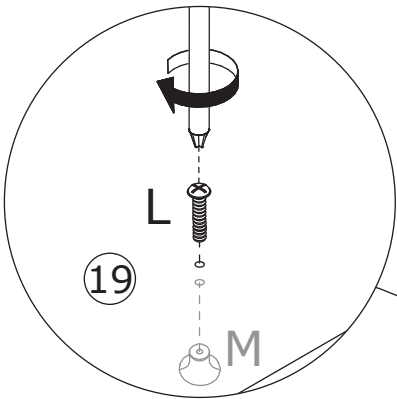
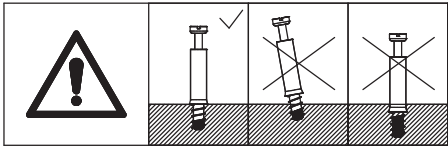
Attach plate 25 to plate 2 using screws (F) by securing hinges as shown.



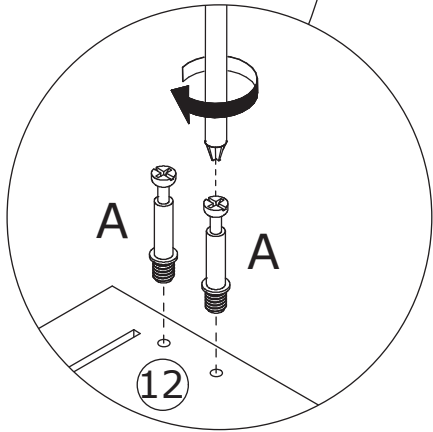
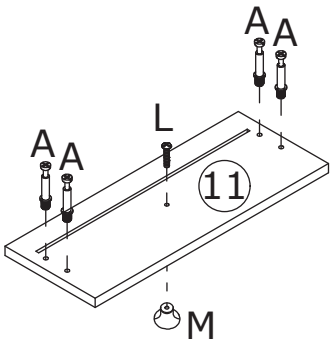
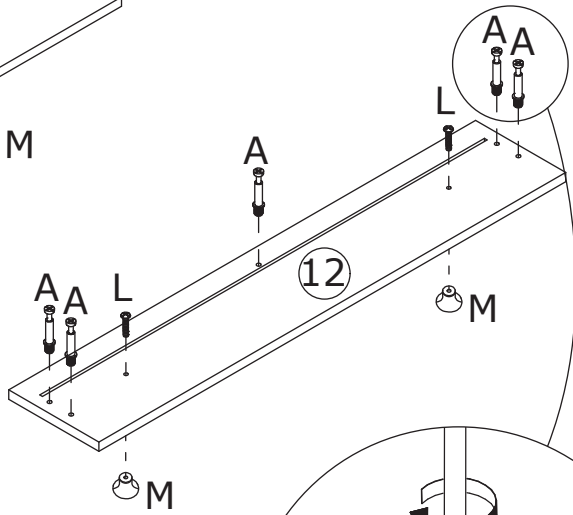
27

<p>A x 19 CRA0635A</p> 	<p>L x 7 Ø4 x 18 mm</p> 	<p>M x 7</p> 	
--	---	--	---

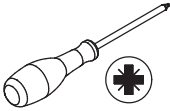
Secure screw (A) to the plates 11, 12, 19, secure knob (M) as shown.



x2



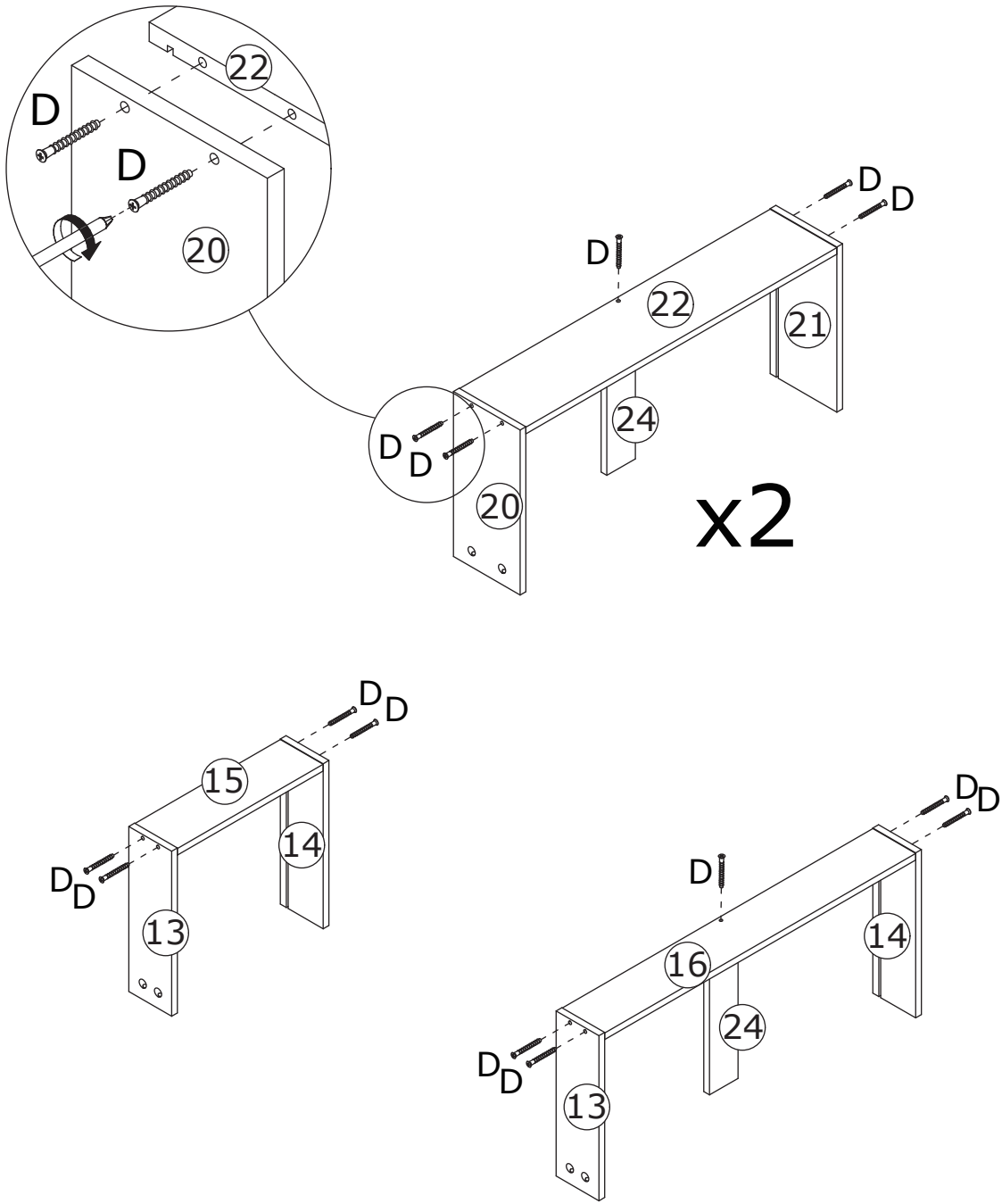
28



Use screws (D) to fix plates 13, 14 to plate 15 as shown.

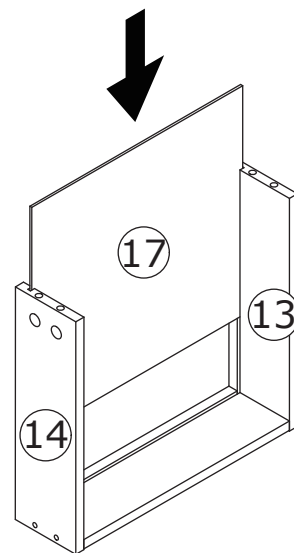
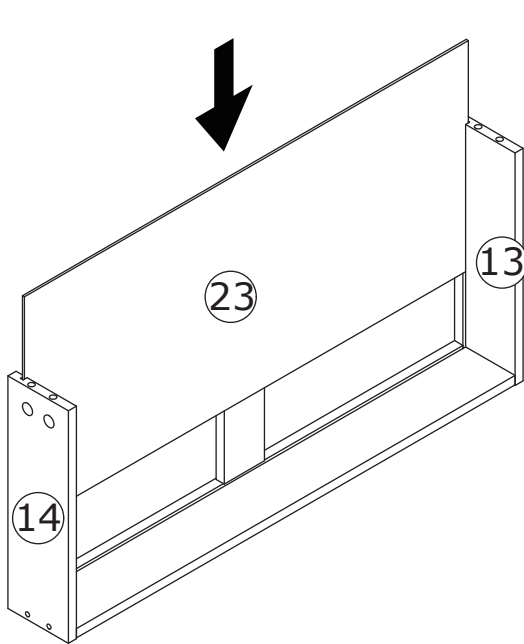
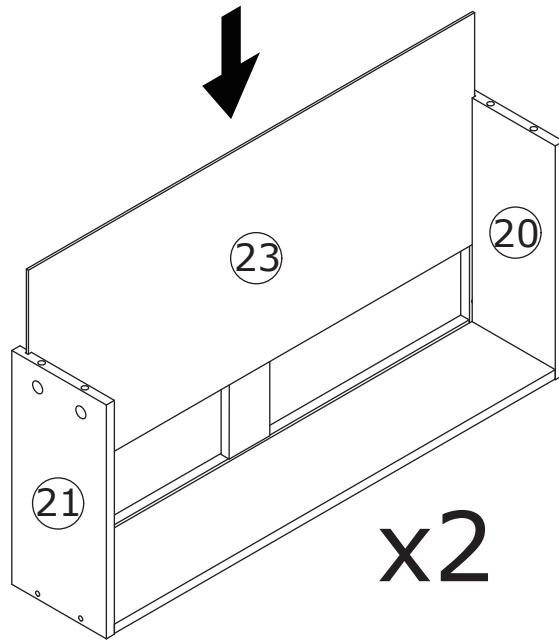
Use screws (D) to secure plates 20, 24, 21 to plate 22 as shown.

Use screws (D) to secure plates 13, 24, 14 to plate 16 as shown.



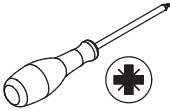
29

Insert plates 23, 17 along slots.

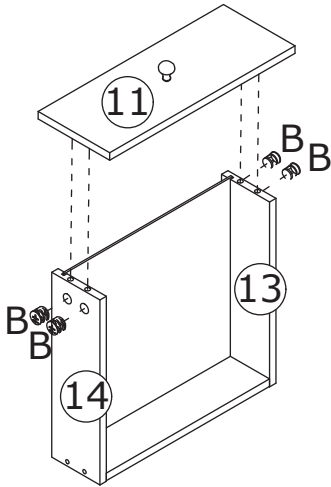
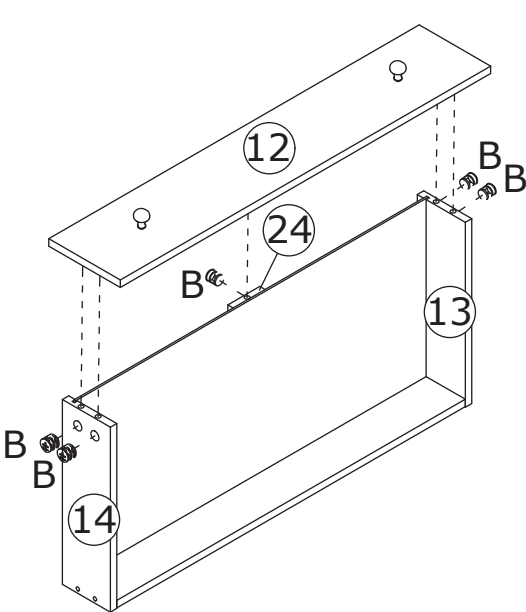
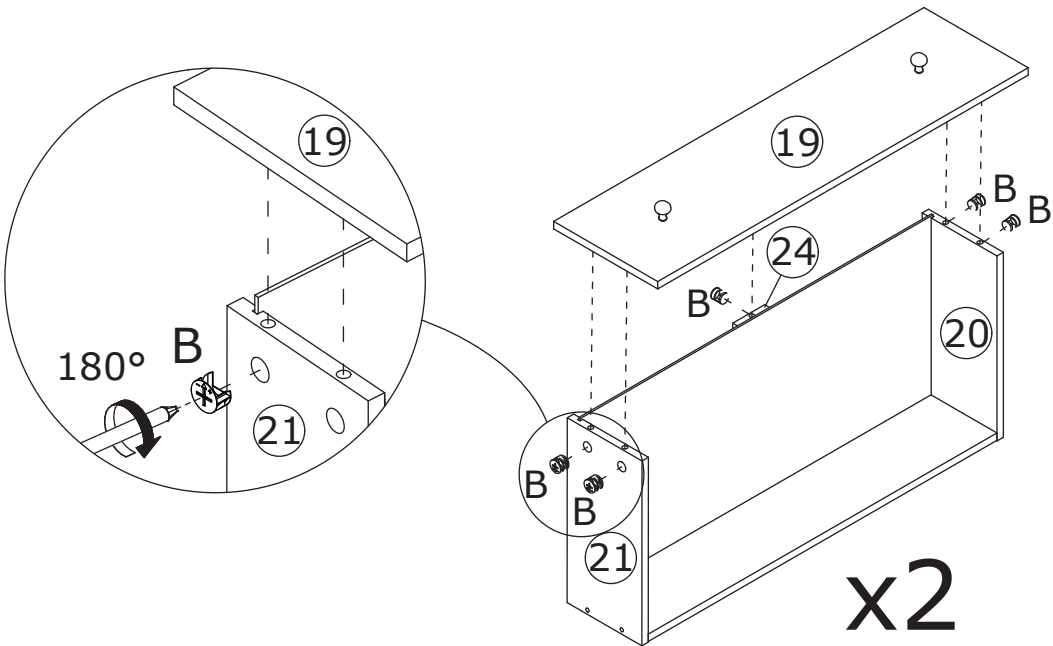
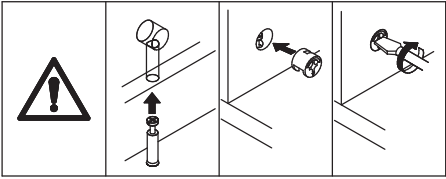


30

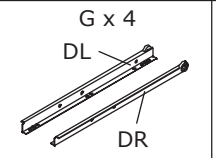
B x 19
CRB1595A



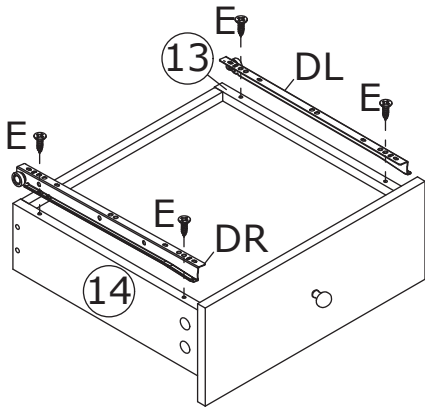
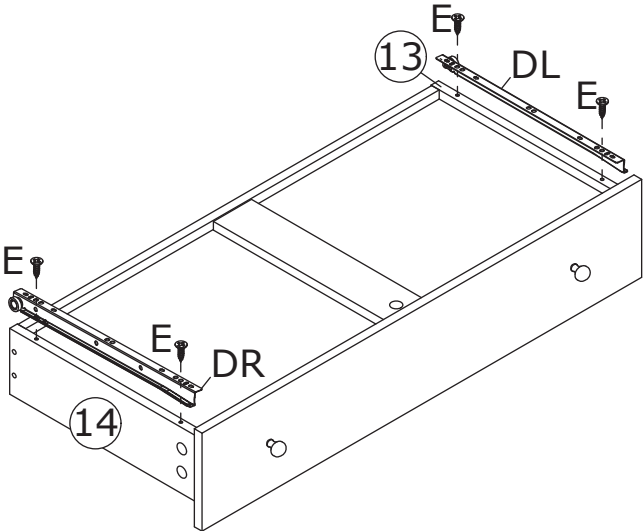
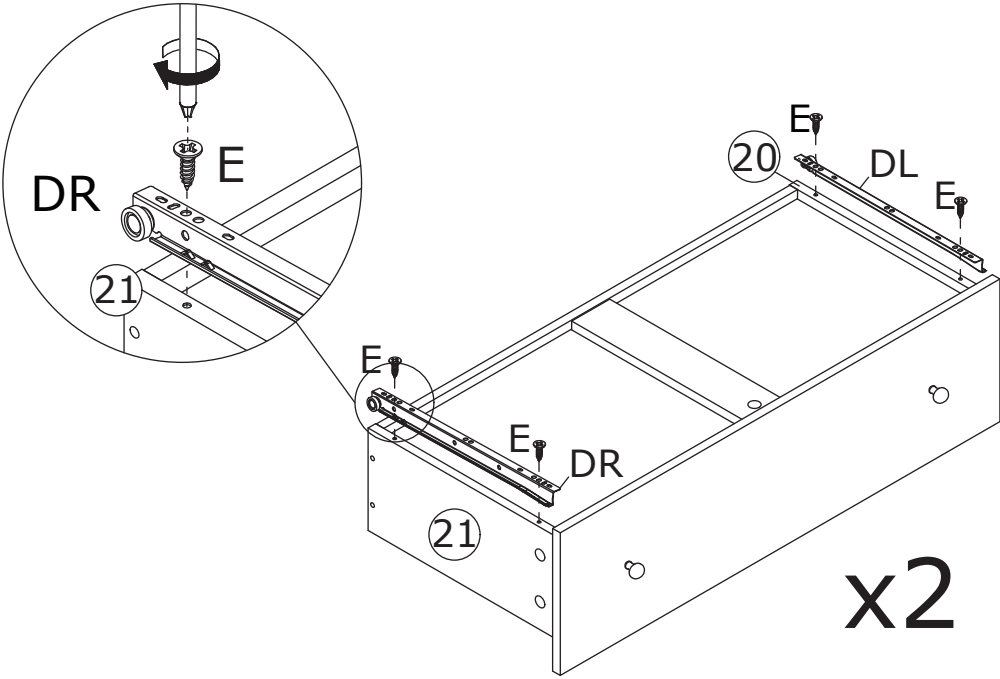
Attach plate 19 to plates 21, 24 and 20; plate 11 to plates 13 and 14; plate 12 to plates 13, 24 and 14, add eccentric wheel (B) and tighten it by rotating it clockwise.



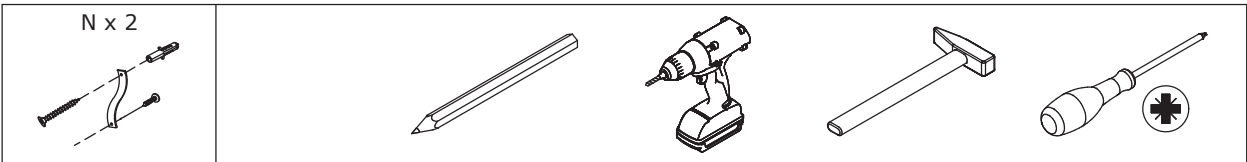
31



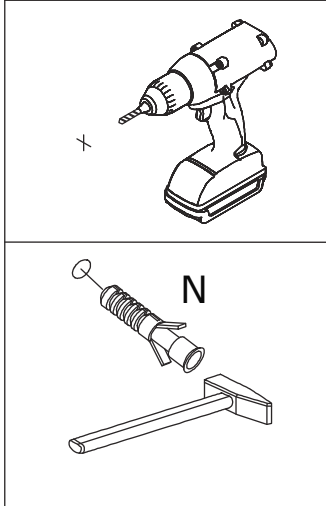
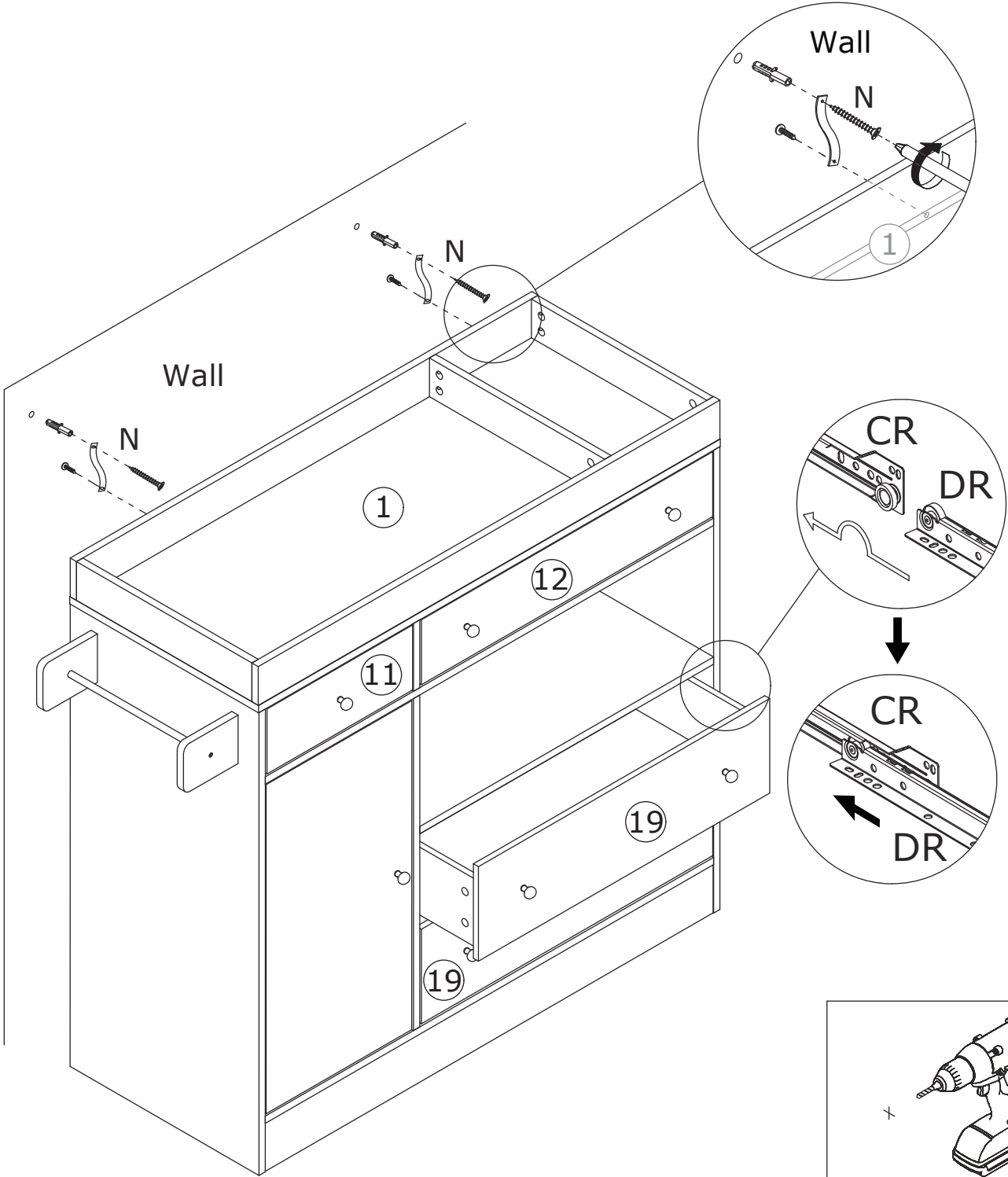
Use screws (E) to secure slides (DL), (DR) to plates 13, 14, 20, 21 as shown.



32



Install anti-tipping device as shown.

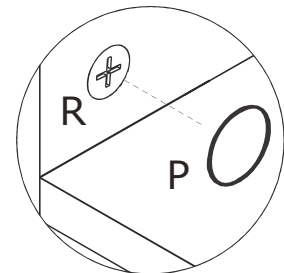
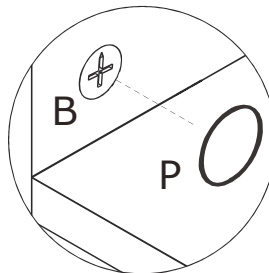
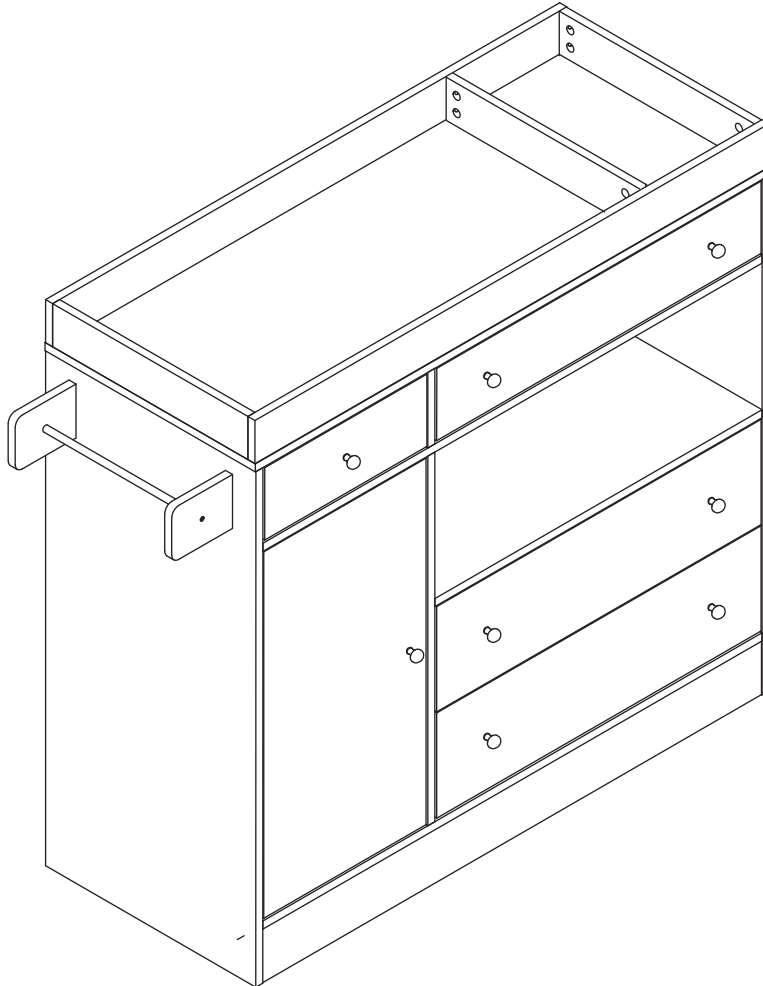


33

P x 95



Use sticker(N) to cover screw holes as shown.



WARRANTY

WARRANTY CLAIMS

- There is a 30-day warranty for broken furniture or any other problems that do not work properly. The warranty will start from the date of purchase which must be verified by proof of purchase.
- Before making a claim, we may be able to answer your query, simply call us. Please leave your purchase order number, along with some details of the problem, if you want a replacement part. We will arrange within 48 hours. If there is out of stock, we will reply with a shipping date.
- The product must be used in accordance with the instructions provided. For health reasons.
- For other reasons, if the furniture needs to be returned, it must be cleaned and dried and operated within 30 days of receipt.

Type of Warranty Claim

- Failure to follow the furniture instructions will invalidate the warranty. Attention please.
- Does not include damage during installation, but includes damage during transportation.

Scope of responsibility

- Shall not bear any responsibility for misuse or user damage and / or loss of parts during the installation of furniture.
- After using, the damage and scratches of the furniture are not covered by the warranty.

The Warranty Relates to All Bought in The Us and Covers The Following Areas

- Sheet parts: 1 month from the date of purchase.
- Electrical parts: 1 month from the date of purchase.

RETURNS

CHANGED YOUR MIND AND NEED TO RETURN YOU ITEM?

PLEASE FOLLOW THE BELOW INSTRUCTIONS:

- If you have purchased and have simply changed your mind, follow the retailer's instructions for returns.

DEFECTIVE ITEMS

- If your item is defective in any way, i.e. it doesn't work but you can't identify why, in the first instance, please call us.

DAMAGED ITEMS

- If you receive an order with obvious shipping damage from the retailer, then we suggest the delivery is refused. If the delivery has been accepted and then shipping damage is found, please follow the specific instructions advised by the retailer. In all circumstances please save all packaging material and paperwork for the order. Please be aware that if you dispose of packaging material or attempt to return the merchandise without contacting the fulfiller, you jeopardise your chances of making a claim, and you may not receive a credit for the return.

AFTER-SALES CONTACT



adelahu@fufugaga.com



208-820-0068