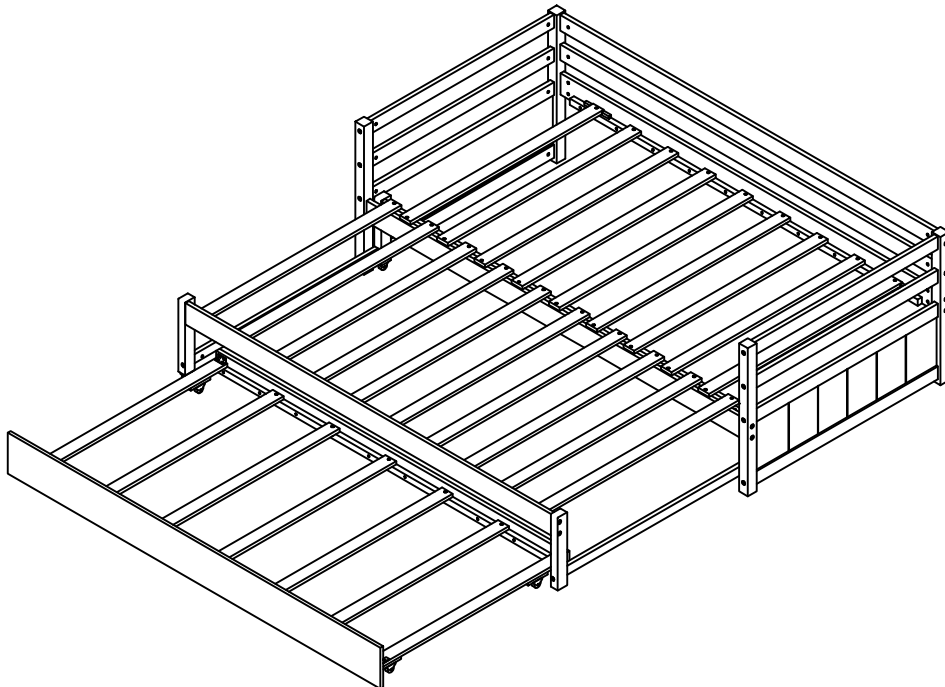


# ASSEMBLY INSTRUCTIONS

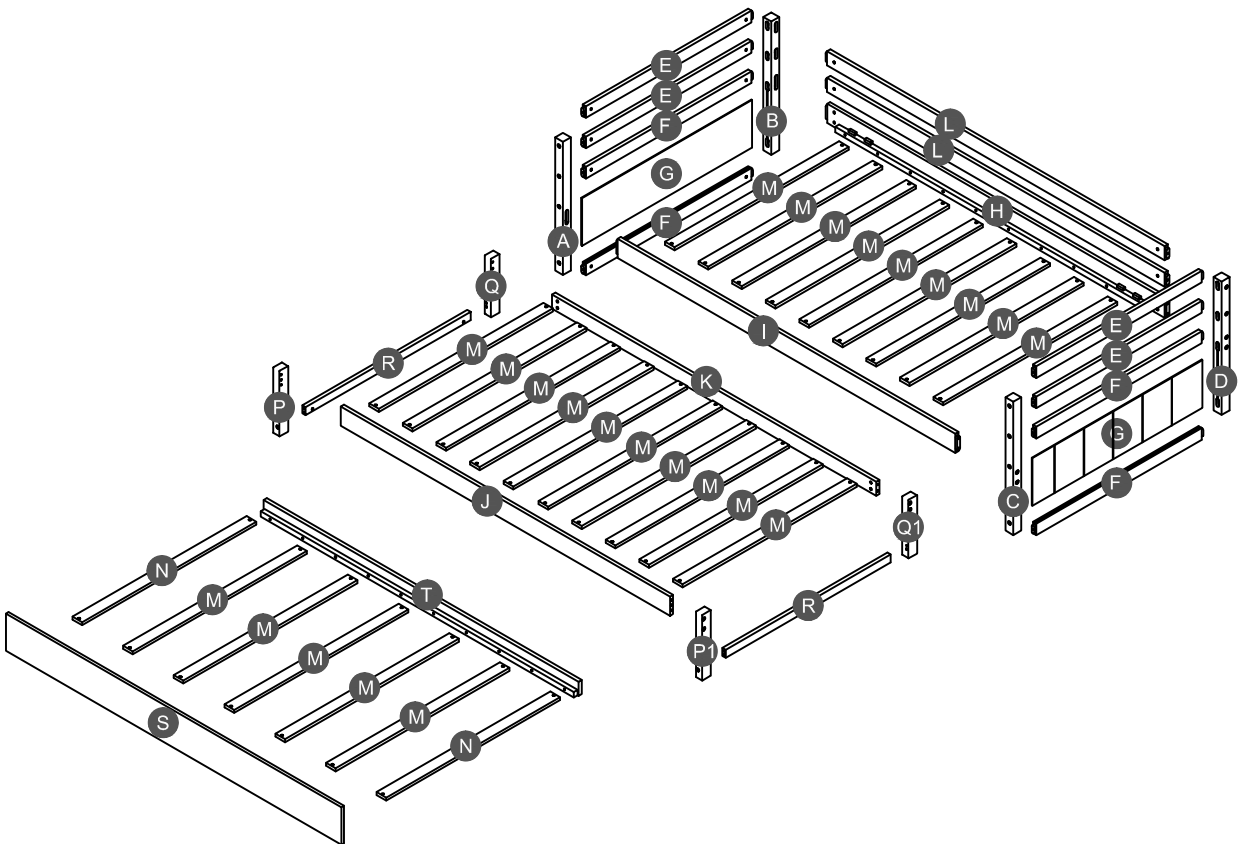
## TWIN DAY BED WITH TRUNDLE



If you have any questions, please feel free to contact us.  
Email: [service@qualfurn.net](mailto:service@qualfurn.net)

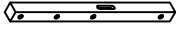
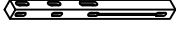

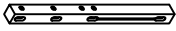
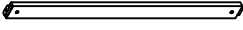
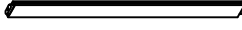
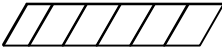

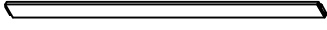


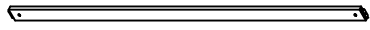
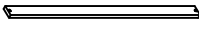
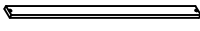
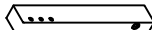
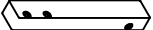
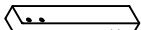
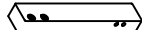



WF290883

# Detail View


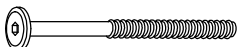
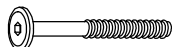




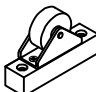


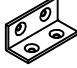



# Part List

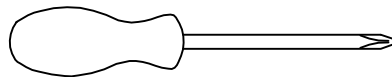
WF290883

<p><b>A</b></p>  <p>Leg (left front) - 1pc</p>	<p><b>B</b></p>  <p>Leg (left back) - 1pc</p>	<p><b>C</b></p>  <p>Leg (right front) - 1pc</p>
<p><b>D</b></p>  <p>Leg (right back) - 1pc</p>	<p><b>E</b></p>  <p>Horizontal bar - 4pcs</p>	<p><b>F</b></p>  <p>Horizontal bar - 4pcs</p>
<p><b>G</b></p>  <p>Side panel - 2pcs</p>	<p><b>H</b></p>  <p>Side rail (back) - 1pc</p>	<p><b>I</b></p>  <p>Side rail (front) - 1pc</p>
<p><b>J</b></p>  <p>Side rail (front) - 1pc</p>	<p><b>K</b></p>  <p>Side rail (back) - 1pc</p>	<p><b>L</b></p>  <p>Long guard rail - 2pcs</p>
<p><b>M</b></p>  <p>Slat - 24pcs</p>	<p><b>N</b></p>  <p>Slat - 2pcs</p>	<p><b>P</b></p>  <p>Leg (left front) - 1pc</p>
<p><b>P1</b></p>  <p>Leg (right front) - 1pc</p>	<p><b>Q</b></p>  <p>Leg (left back) - 1pc</p>	<p><b>Q1</b></p>  <p>Leg (right back) - 1pc</p>
<p><b>R</b></p>  <p>Horizontal side (L/R) - 2pcs</p>	<p><b>S</b></p>  <p>Trundle front panel - 1pc</p>	<p><b>T</b></p>  <p>Trundle back panel - 1pc</p>

# Hardware List

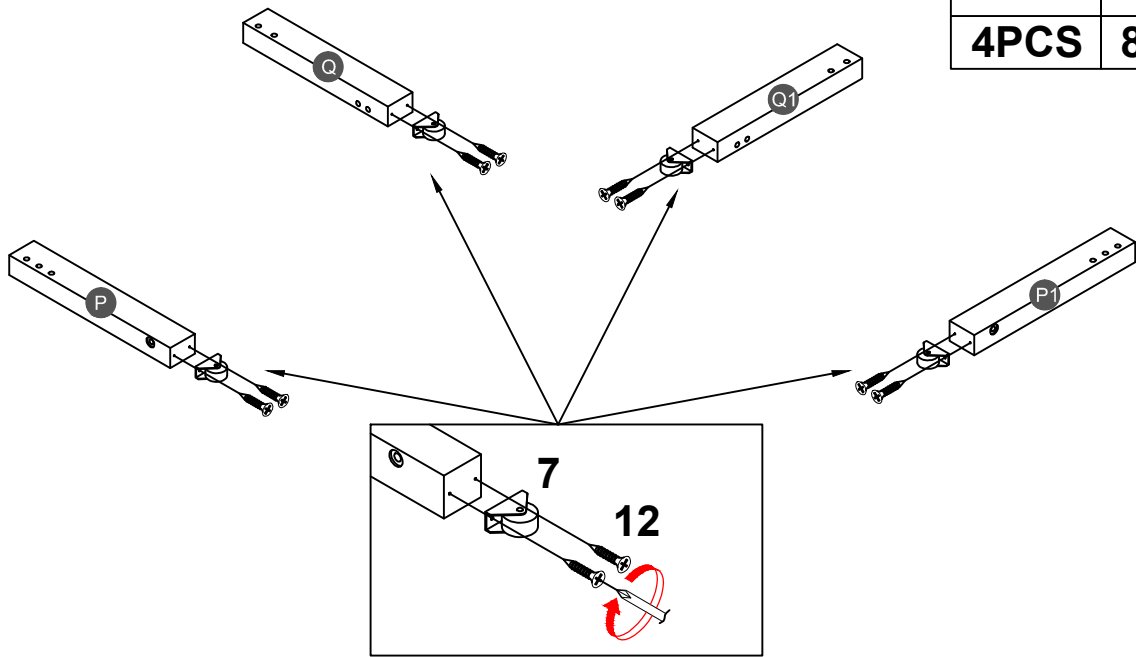
<b>1</b>  Ø8*30mm Wood dowel (6pcs)	<b>2</b>  (Ø15)1/4"*100mm Hex-Head bolts (16pcs)	<b>3</b>  (Ø15)1/4"*80mm Hex-Head bolts (24pcs)
<b>4</b>  (1/4")4.5*58mm Allen key (1pc)	<b>5</b>  1/4"*15 (9.5mm) Horizontal-Hole bolts(40pcs)	<b>6</b>  Ø4*30mm Wood screws (60pcs)
<b>7</b>  45*20*35 mm Wheels (4pcs)	<b>8</b>  100*63*20mm Wheels (4pcs)	<b>9</b>  95*95*18*3mm Metal bracket (4pcs)
<b>10</b>  Ø3.5*15mm Wood screws (24pcs)	<b>11</b>  40*18*18*2mm Metal bracket (2pcs)	<b>12</b>  Ø3.5*19mm Wood screws (8pcs)

## ASSEMBLY TOOLS REQUIRED ( NOT INCLUDED )



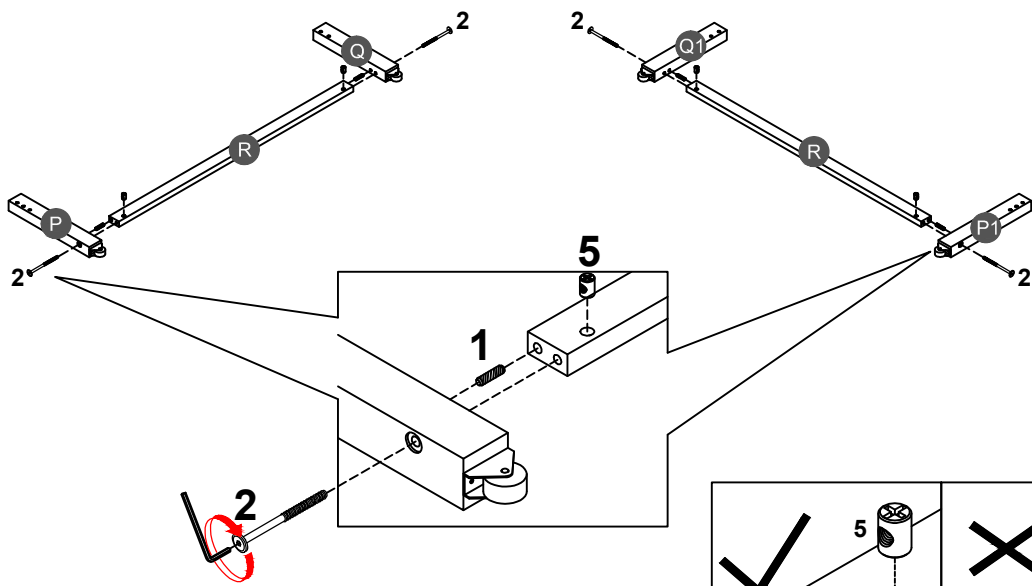
PLEASE BE CAREFUL DO NOT DAMAGE THE HOLE POSITION WHEN YOU USE POWER TOOLS !

**STEP 1:**



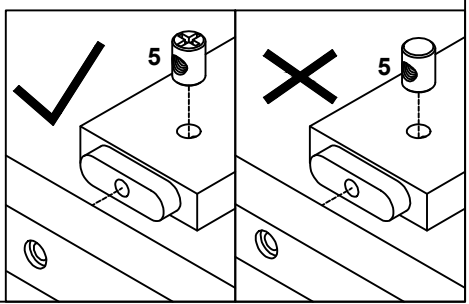
<b>7</b>	<b>12</b>
<b>4PCS</b>	<b>8PCS</b>

**STEP 2:**






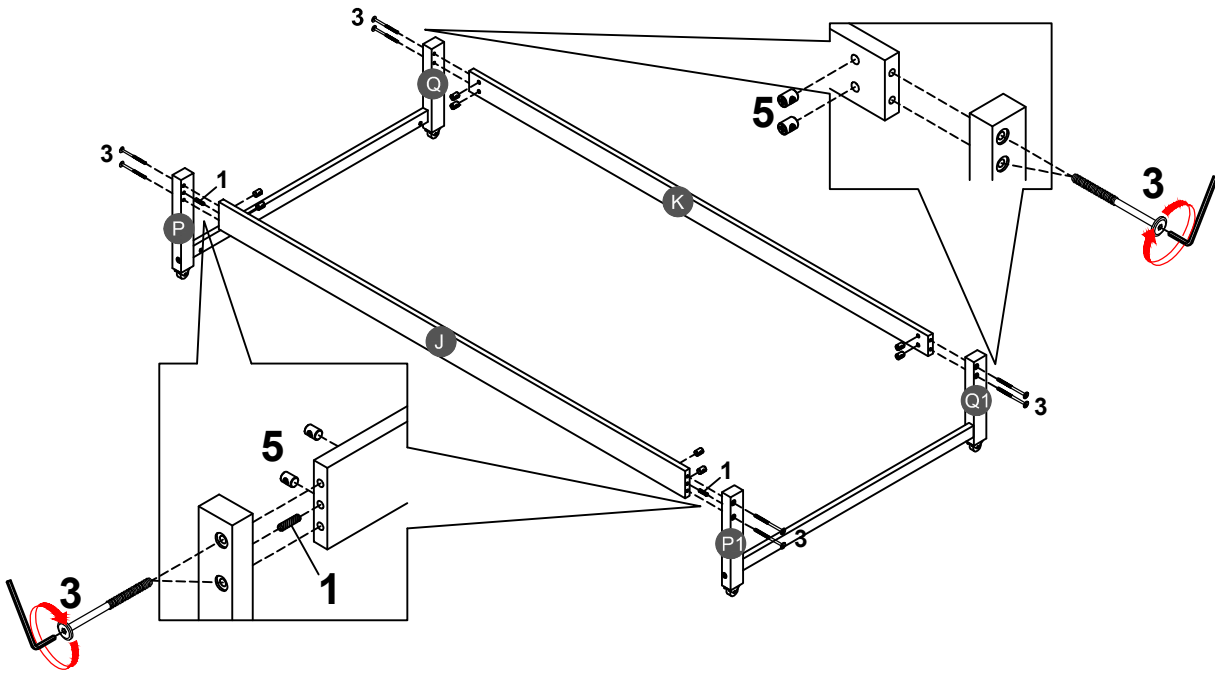
<b>1</b>	<b>2</b>	<b>5</b>
<b>4PCS</b>	<b>4PCS</b>	<b>4PCS</b>

Note: Part 5 will face up with the "x" mark on it, otherwise it cannot be tightened





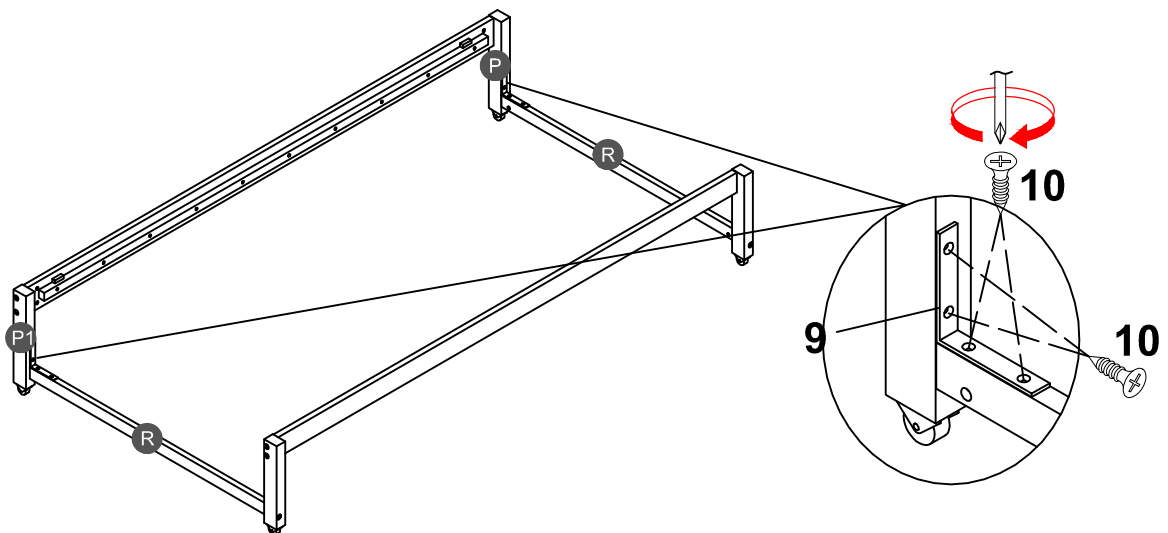
**STEP 3:**

<b>1</b>		<b>3</b>		<b>5</b>	
<b>2PCS</b>		<b>8PCS</b>		<b>8PCS</b>	

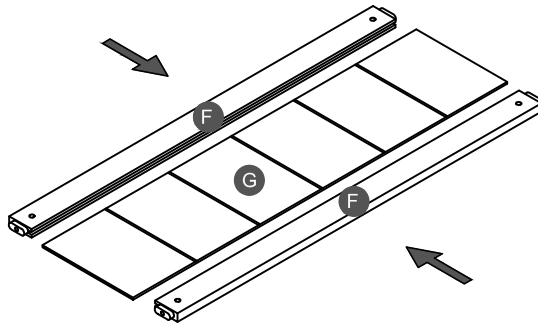


**STEP 4:**

<b>9</b>		<b>10</b>	
<b>2PCS</b>		<b>8PCS</b>	





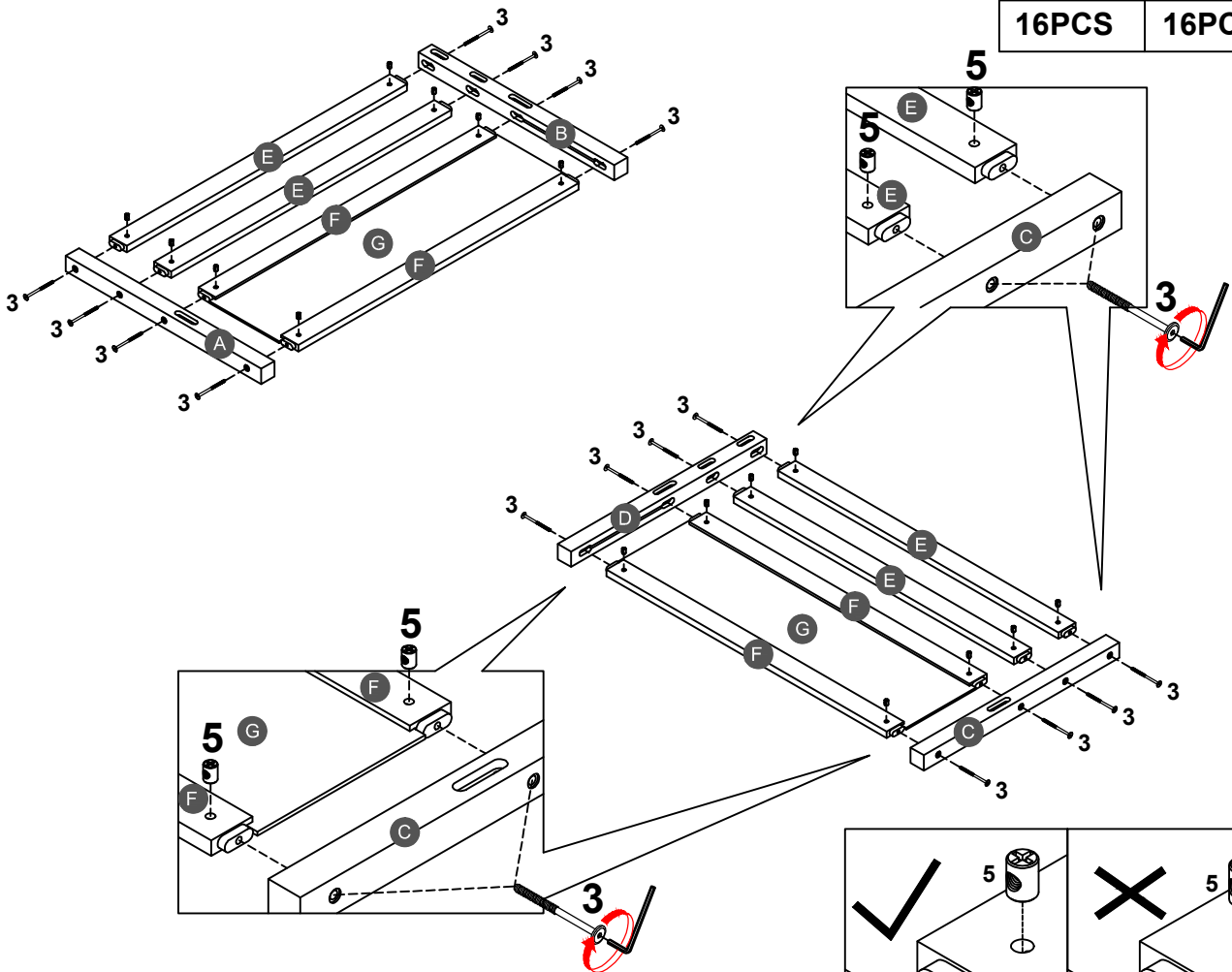
**STEP 5:**



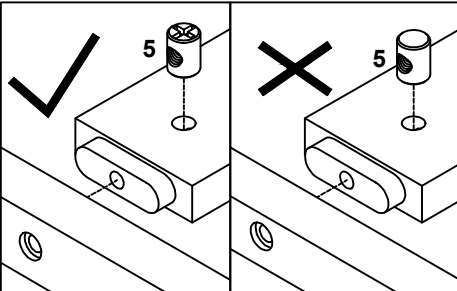
**x 2**

**STEP 6:**

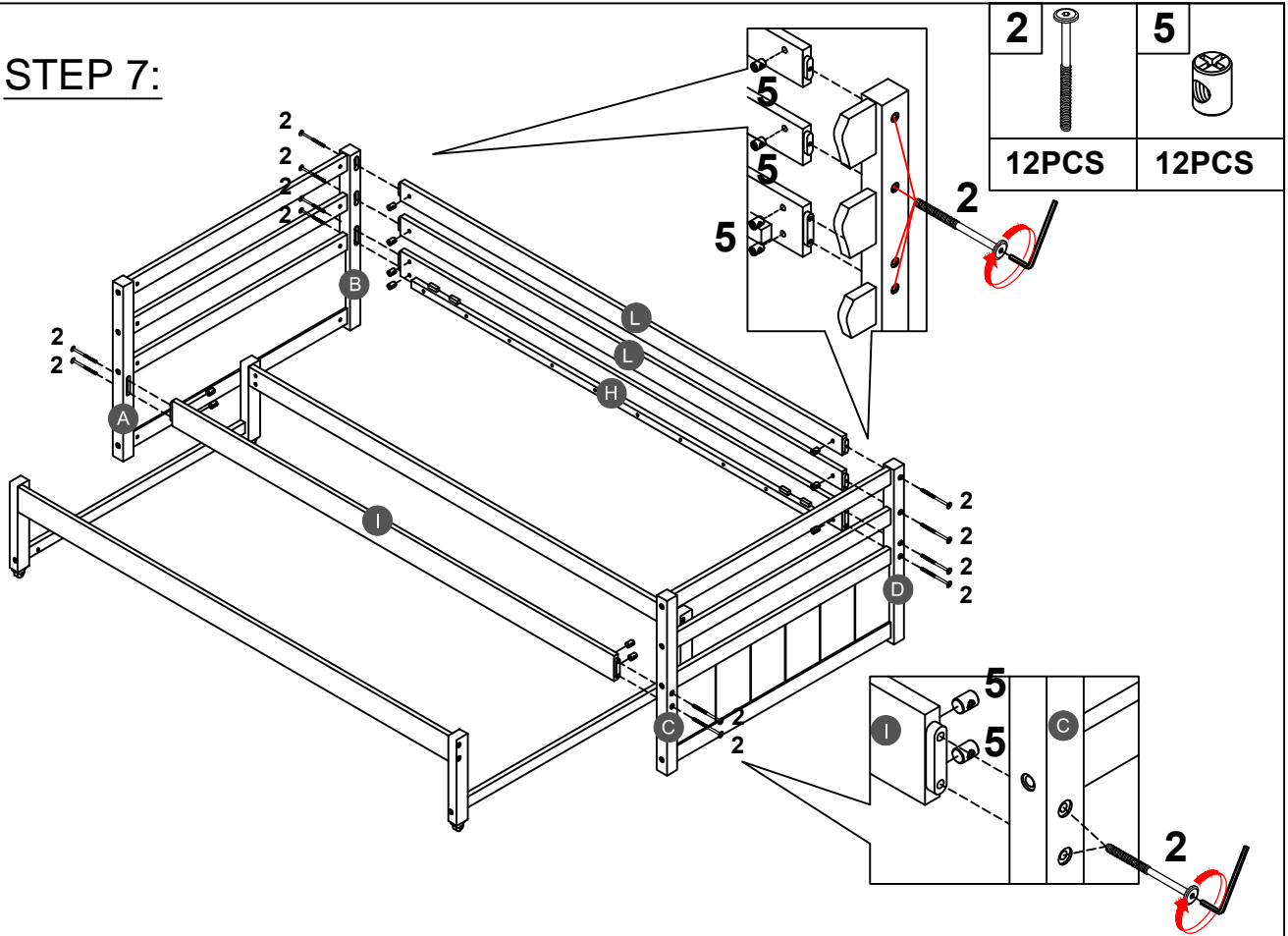
<b>3</b>		<b>5</b>	
<b>16PCS</b>		<b>16PCS</b>	



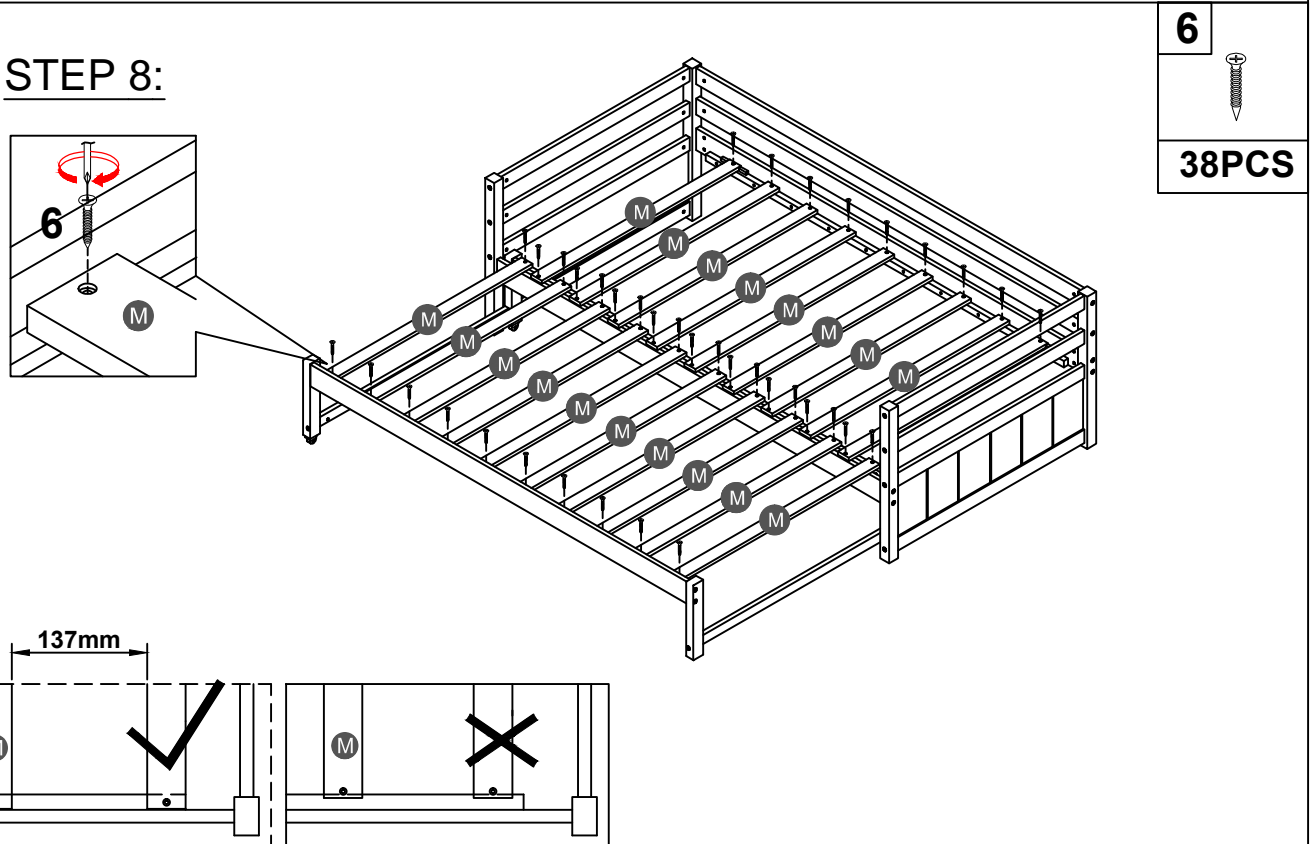
Note: Part 5 will face up with the "x" mark on it, otherwise it cannot be tightened



**STEP 7:**





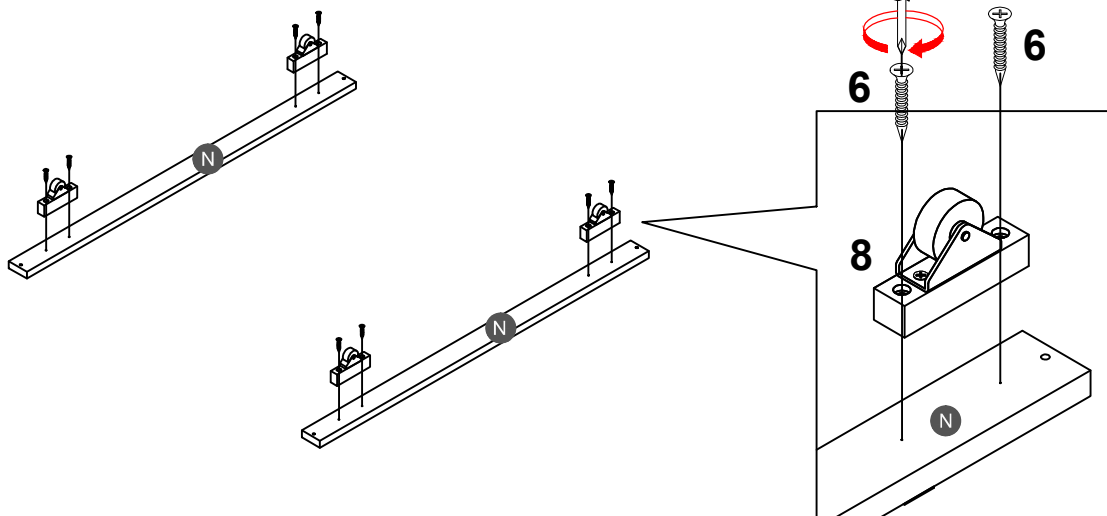
**STEP 8:**




Note: Do not lock the screws of the bed slats to the outermost edge of the bed slats, you need to leave a certain space at the edges, otherwise it will cause the board to break

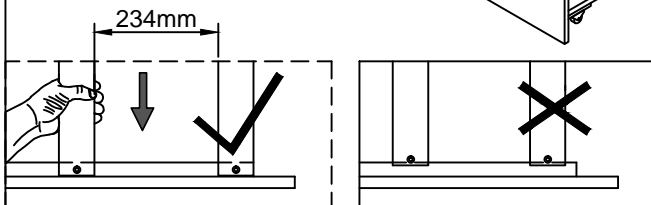
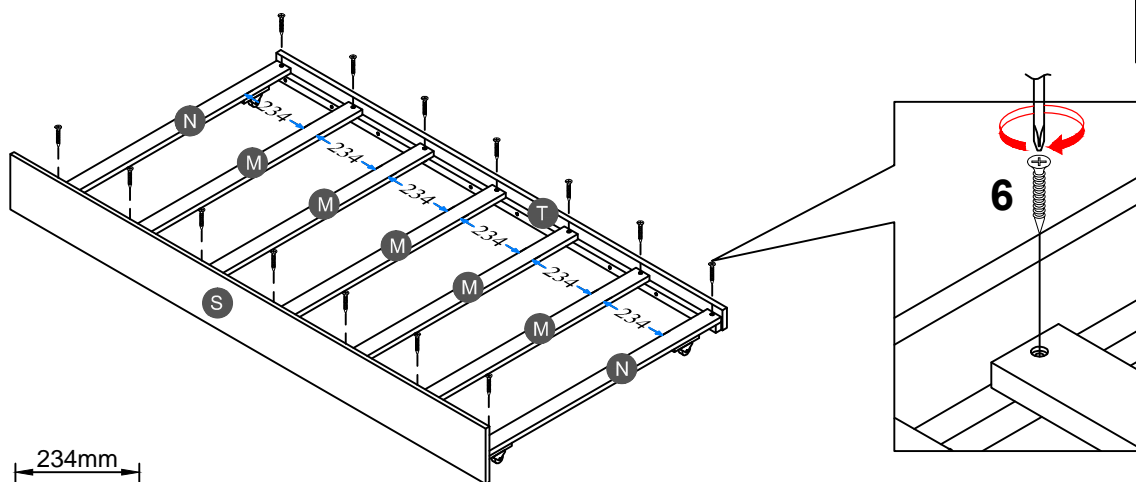
### STEP 9:

8	6
	
<b>4PCS</b>	<b>8PCS</b>




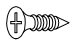
### STEP 10:

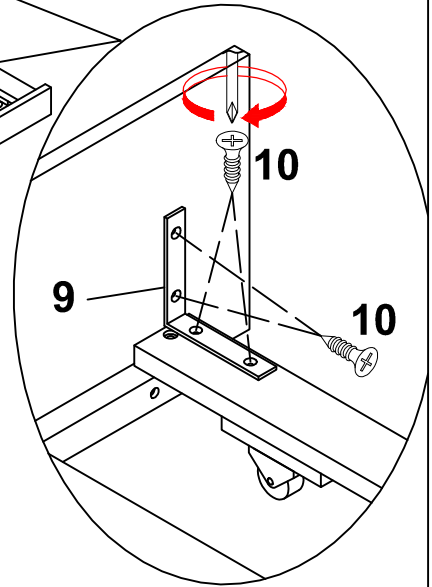
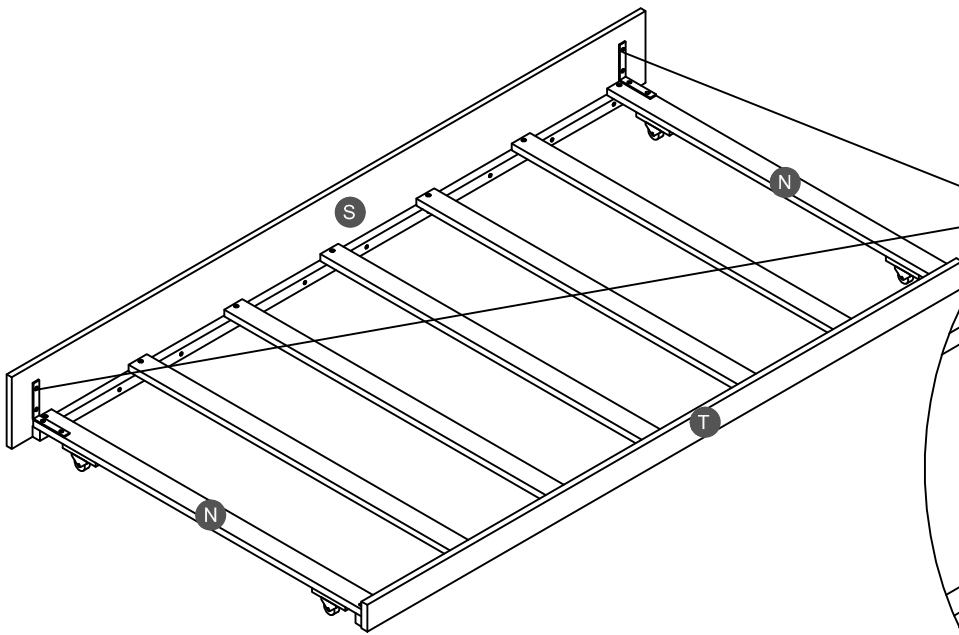
6

<b>14PCS</b>




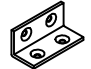
Note: Do not lock the screws of the bed slats to the outermost edge of the bed slats, you need to leave a certain space at the edges, otherwise it will cause the board to break.  
Do not lock the bed slats on the edge of the wood, please hold firmly before screwing, hold it in place with one hand, then lock the screw.

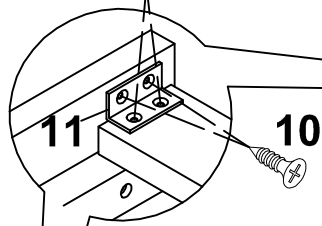
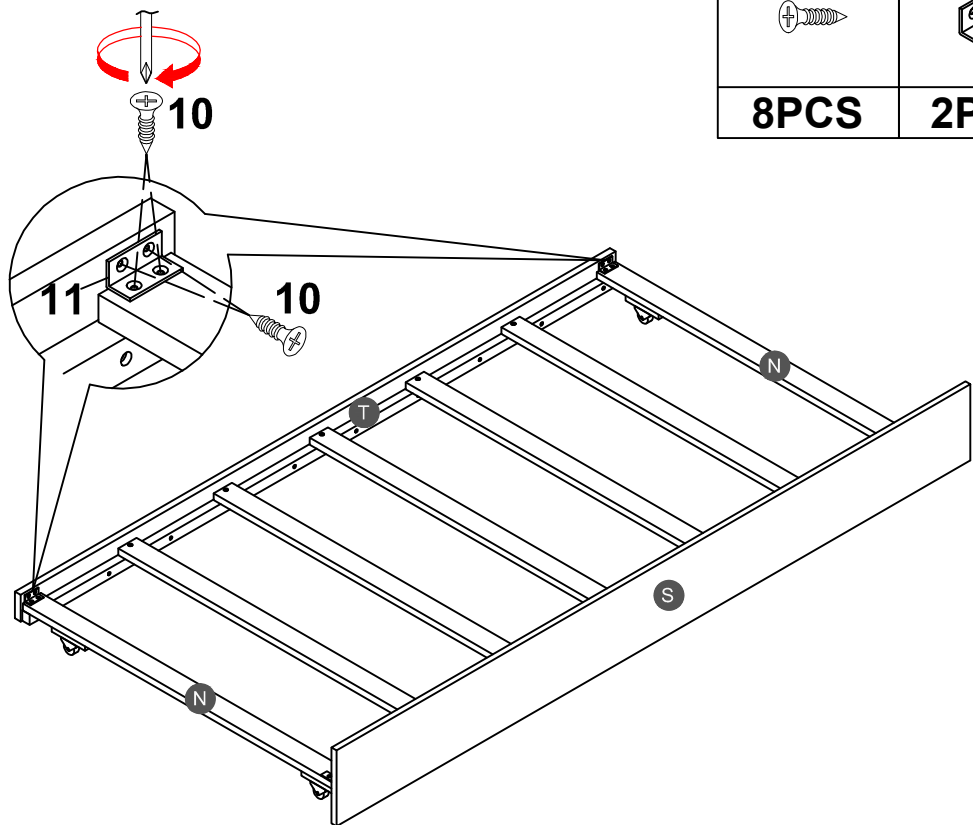
**STEP 11:**

<b>9</b>	<b>10</b>
	
<b>2PCS</b>	<b>8PCS</b>

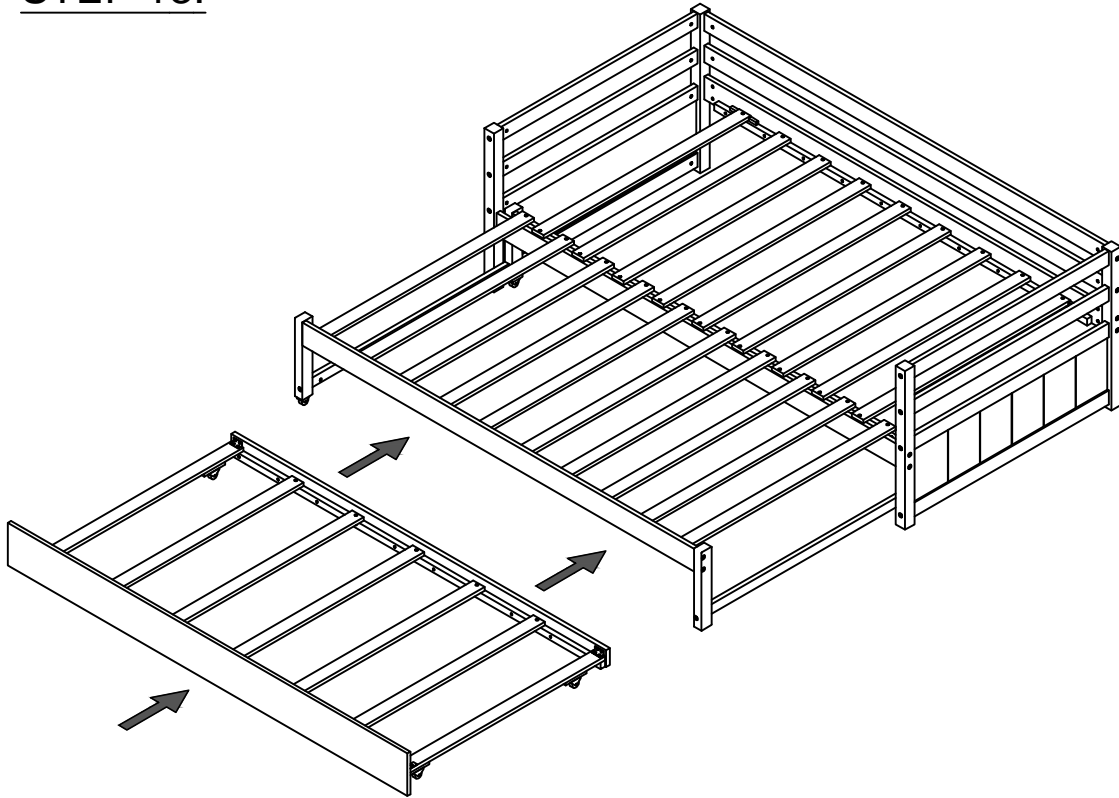


**STEP 12:**

<b>10</b>	<b>11</b>
	
<b>8PCS</b>	<b>2PCS</b>



**STEP 13:**



Push Trundle under the bottom of daybed.

