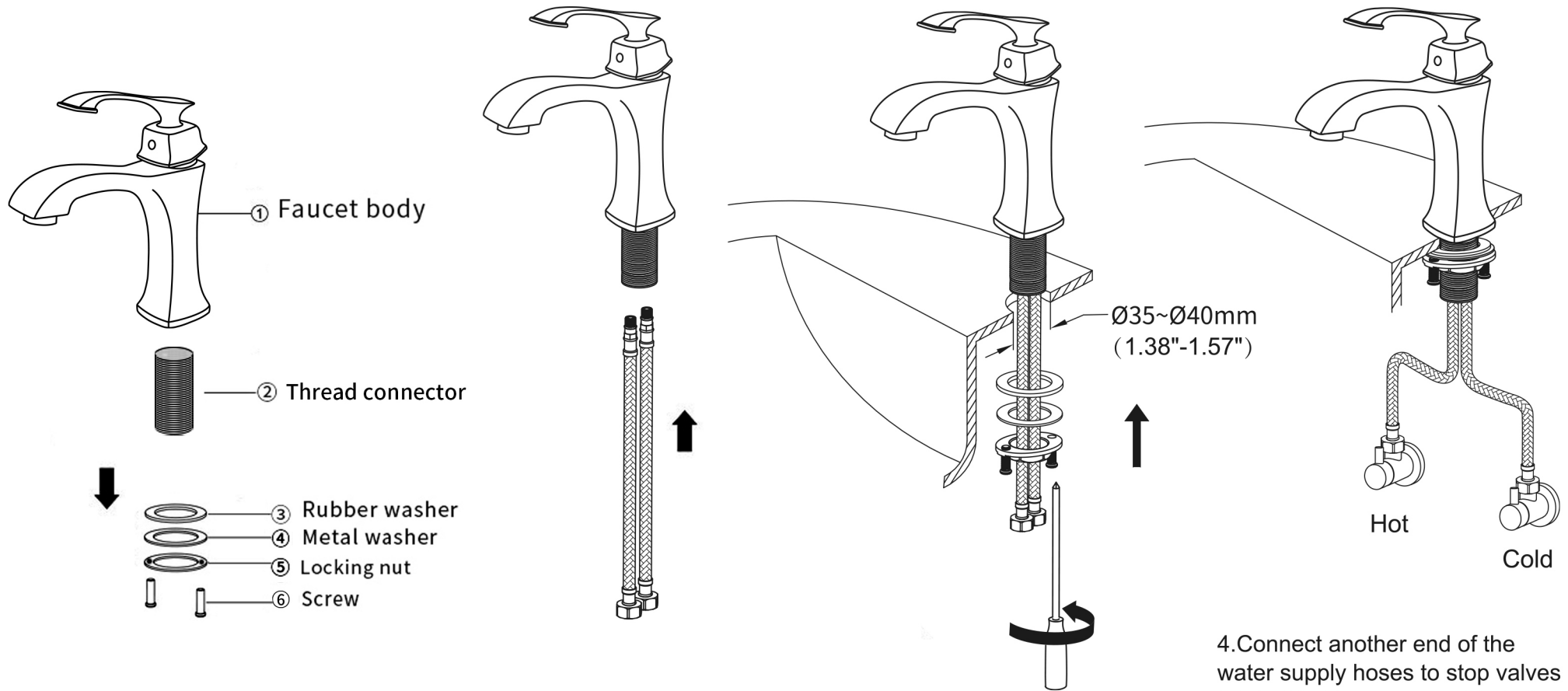


INSTALLATION INSTRUCTIONS

BEFORE INSTALLATION

- To insure proper installation, please read the following instructions carefully.
- Please make sure that the water supply has been shut off at the stop valve.

NOTE: Style may vary by model, but installation way are the same



1. Unscrew fixed accessories from main faucet body.

2. Screw water supply hoses to faucet connectors (Note: Red hose connect to left hole, blue hose connect to right hole)

3. Place faucet into sink hole (hole size: $\text{Ø}35\text{-}40\text{mm}$ / $1.38\text{-}1.57\text{''}$), Re-screw fixed accessories to main faucet body, then tighten the screws on the lock nut with screwdriver

4. Connect another end of the water supply hoses to stop valves (Note: Red hose connect to hot water, blue hose connect to cold water)

5. Turn on water, check for leakage, re-tighten the hoses if necessary

· Every once in a while, please rinse the faucet with lukewarm soapwater, and wipe it clean with a soft duster cloth. Please avoid any abrasive cleaners, steel wools, or corrosive chemicals.