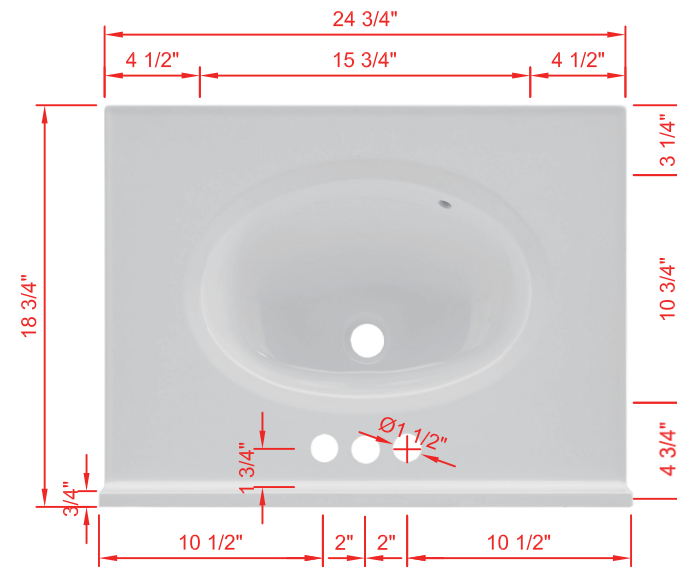
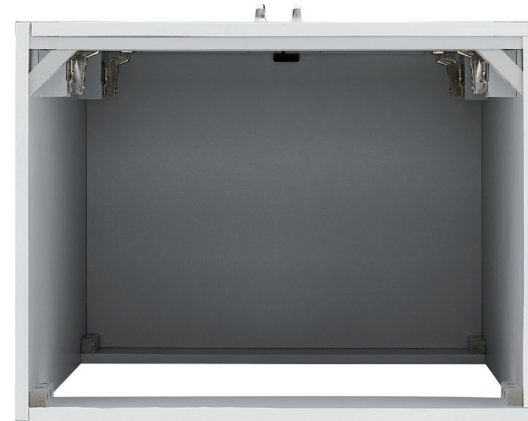
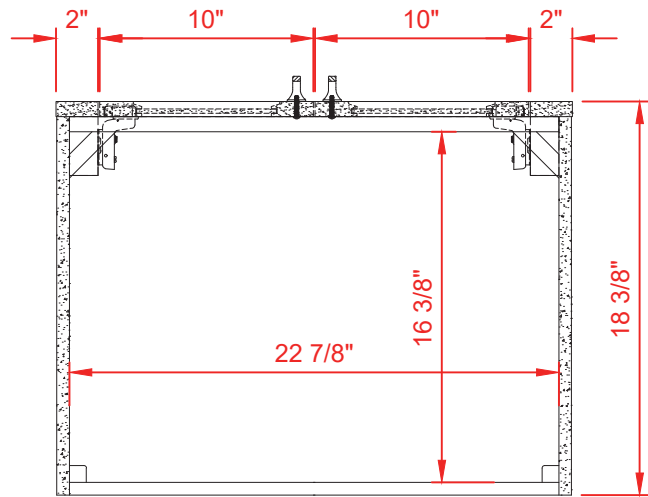
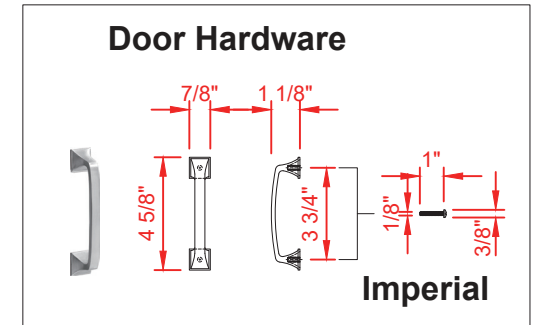


# DIMENSIONS GUIDE

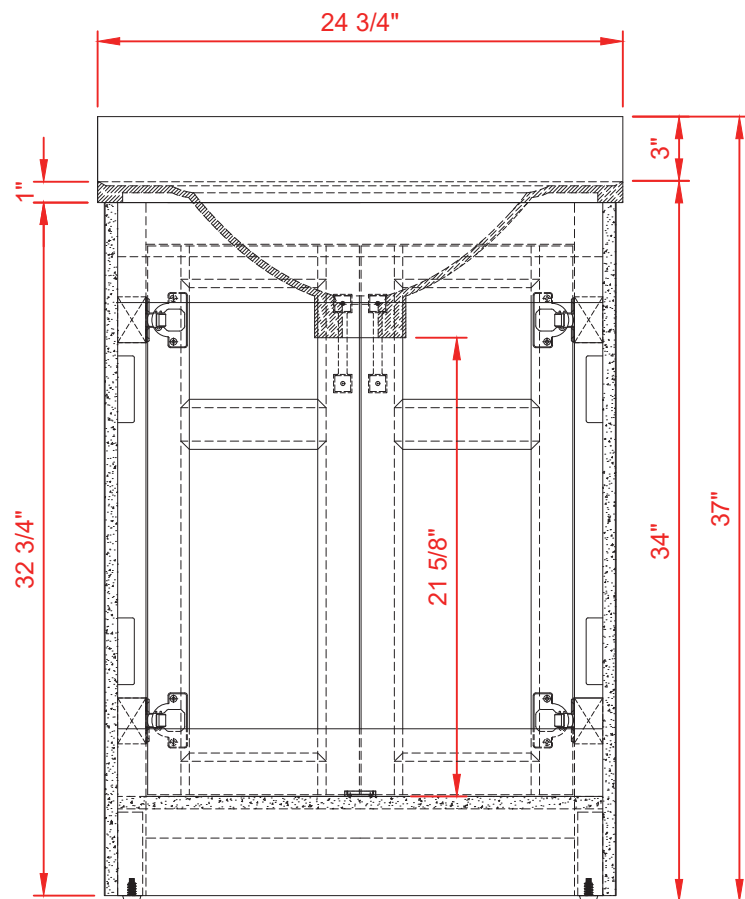
MODEL NUMBER:1678VA-25-292-311-934



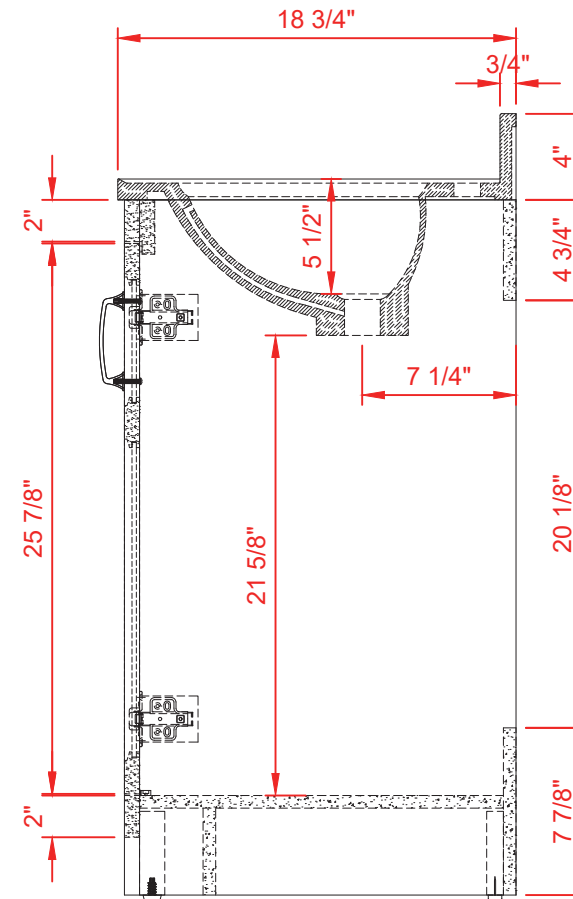
TOP VIEW



**Cabinet Weight : 38.5lbs.**  
**Top weight W/BS : 27lbs.**  
**Product Net weight : 65.5lbs**  
**Product packed Gross weight : 80lbs**  
**Packed product Dimensions :**  
**27.5in.W x 22in.D x 37in.H**



FRONT VIEW



SIDE VIEW

