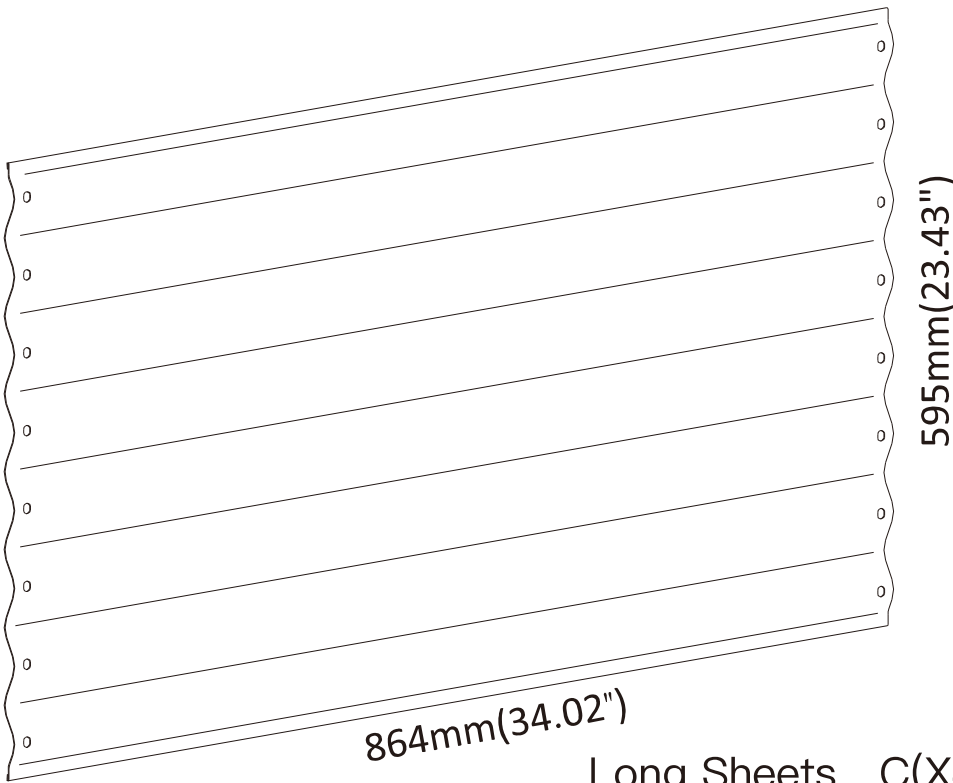


Short Sheets B(X2)



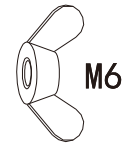
Corner Connectors A(X4)



Long Sheets C(X4)



Screws E(X80)



Wingnuts F(X76)



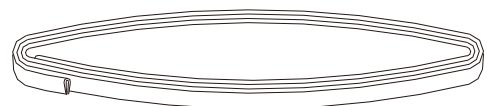
Stakes G(X4)



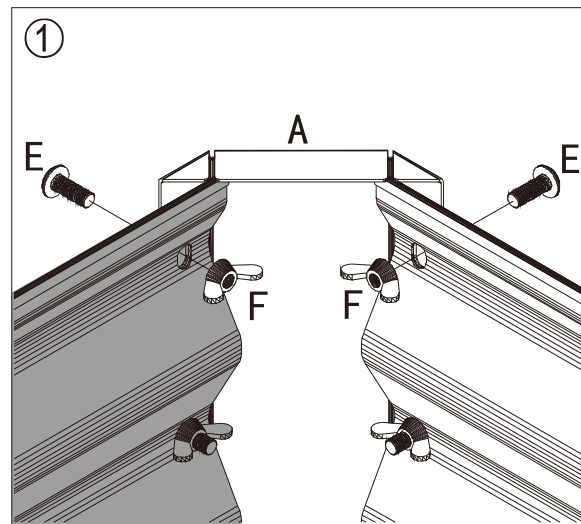
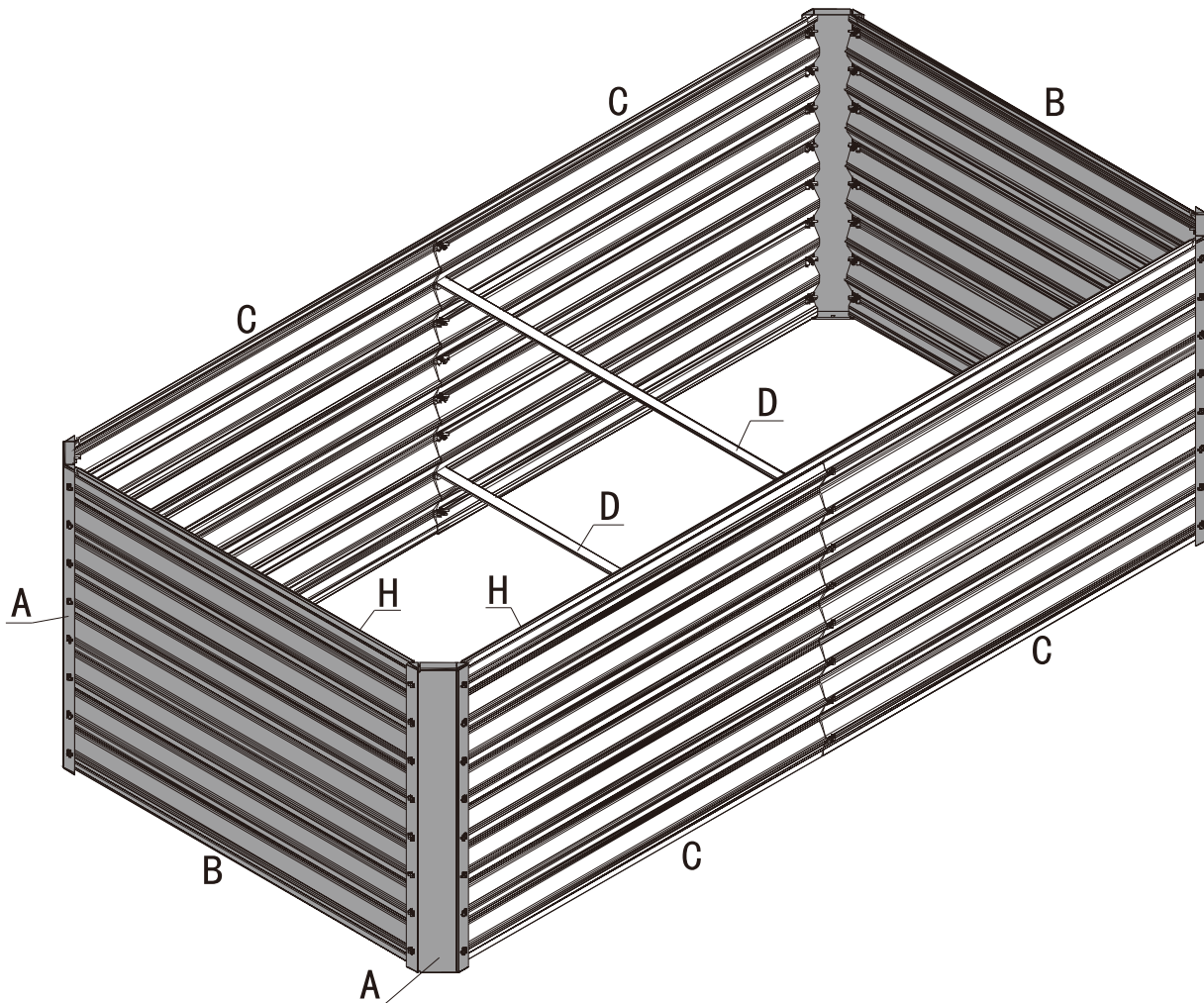
890mm(35.04)

Bracing Rods D(X2)

LNCF0565 70.87"x35.43"x23.62"

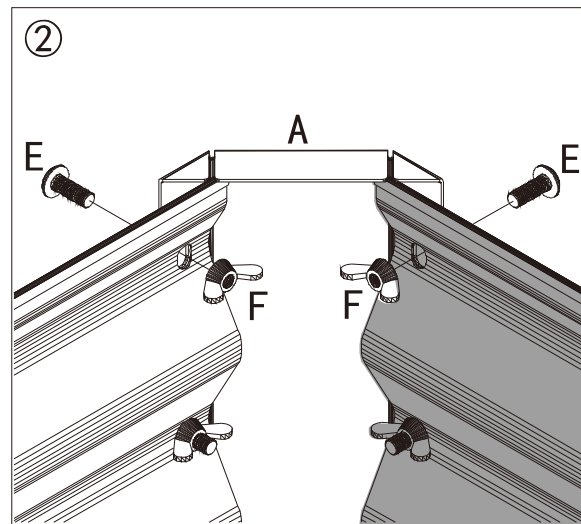
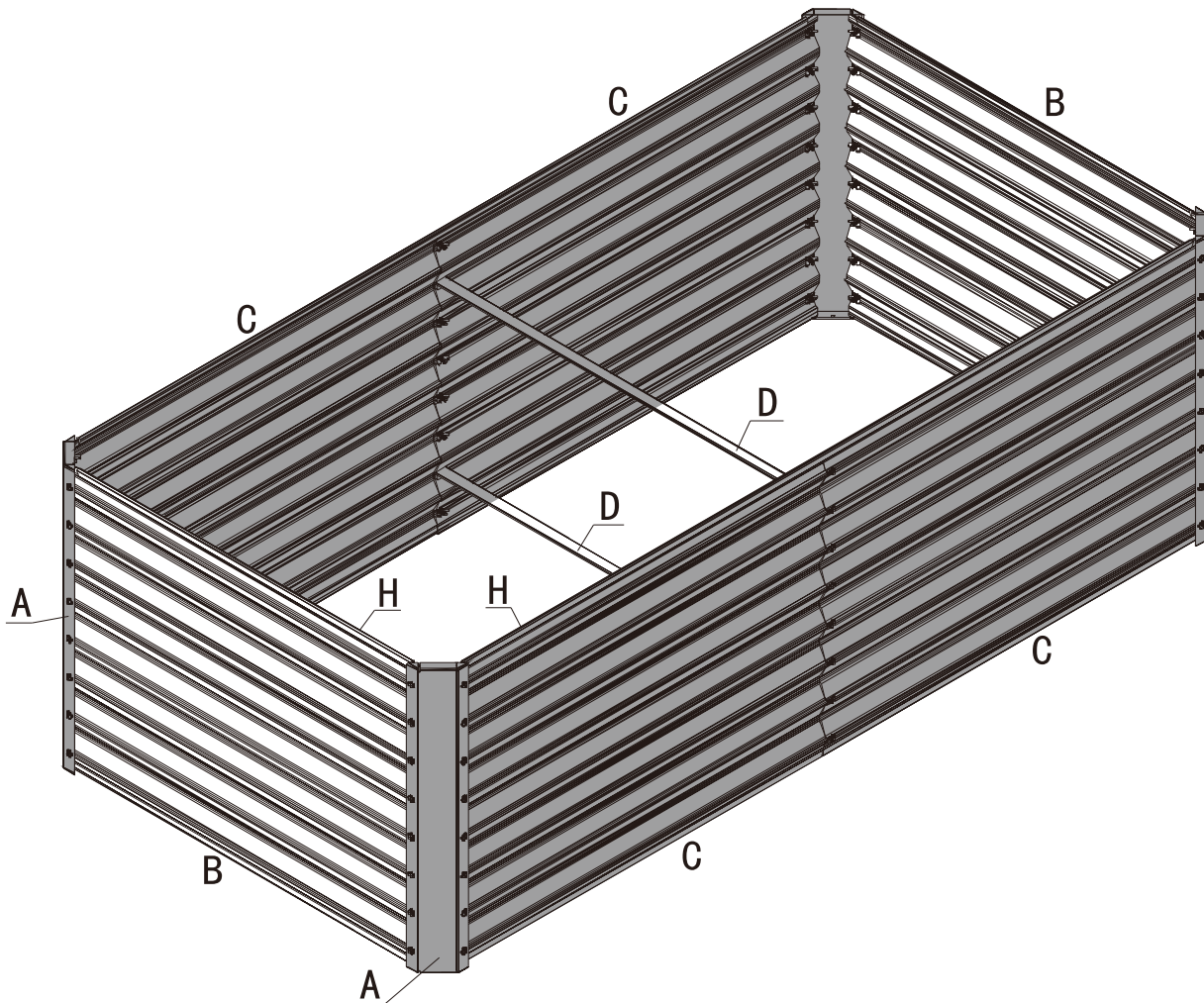


Rubber Strip H(X1)



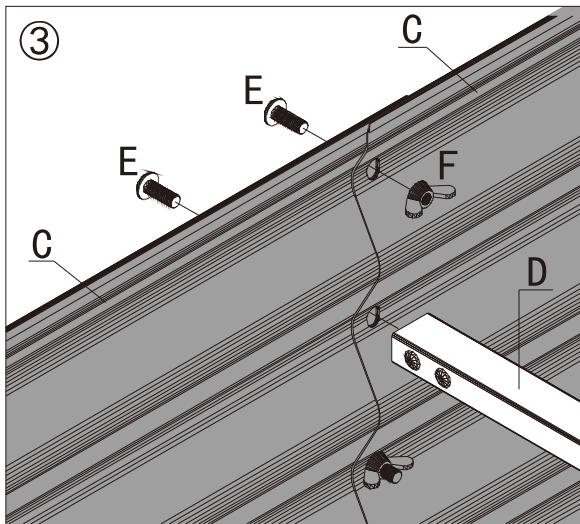
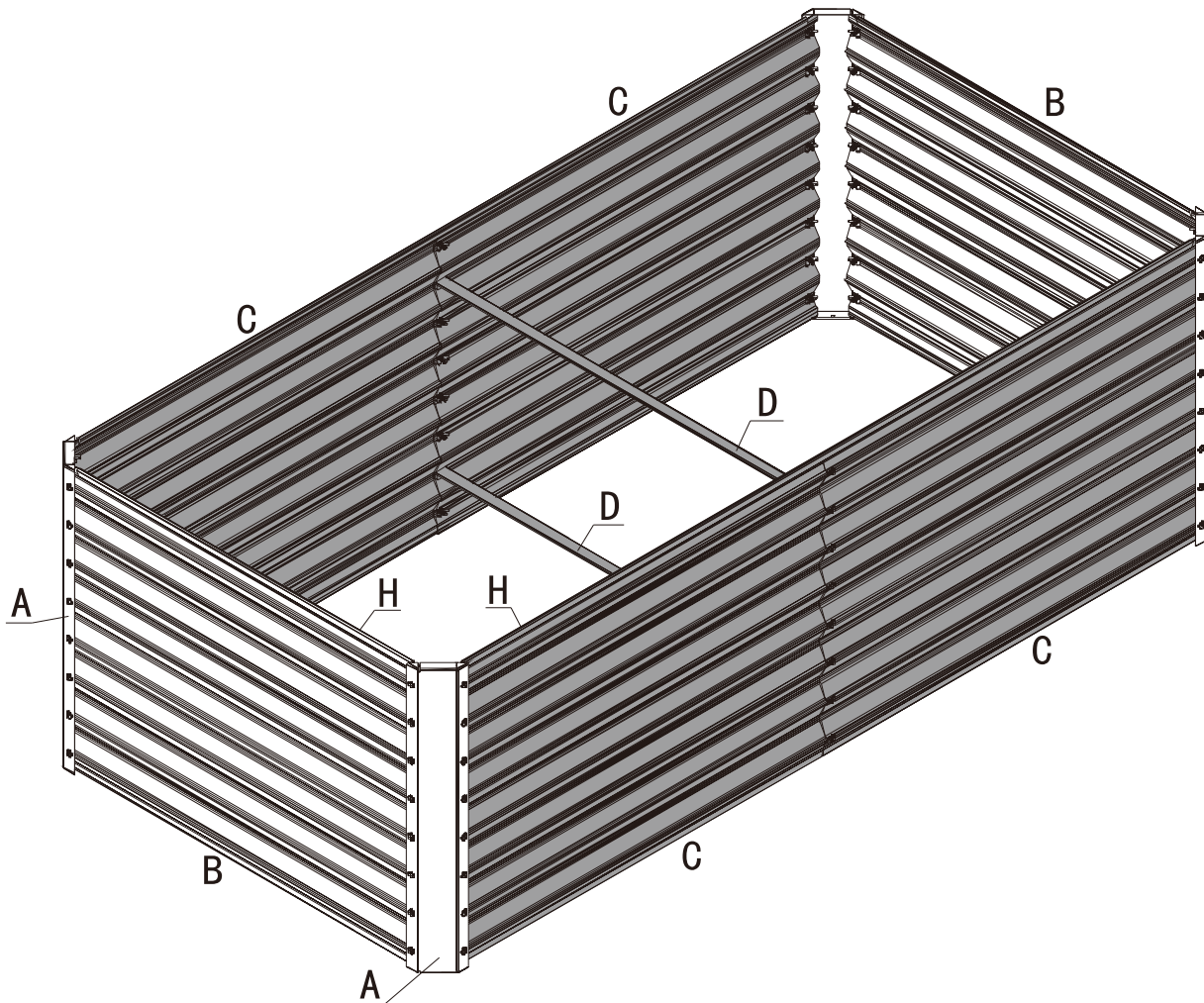
① Attach 2 Corner Connectors #A to 1 Short Sheets #B with 16 screws #E, and secure with 16 wingnuts #F .

Repeat the above procedures to assemble another end.

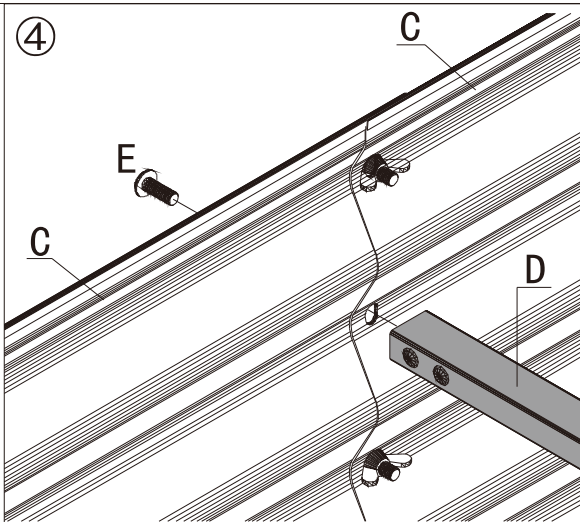


② Attach 2 Long Sheets C to 2 Corner Connectors #A with 16 screws #E, and secure with 16 wingnuts F.

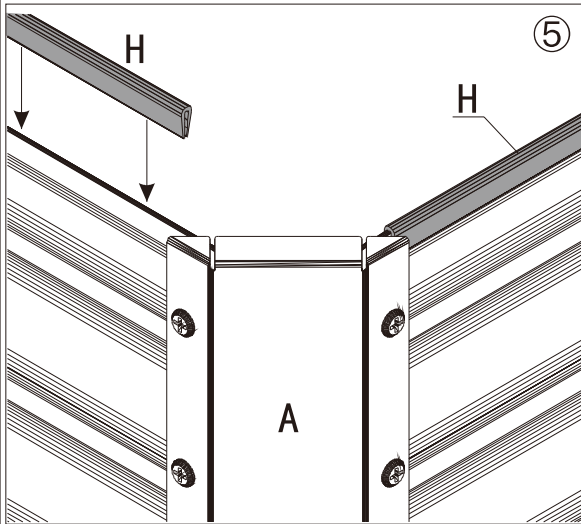
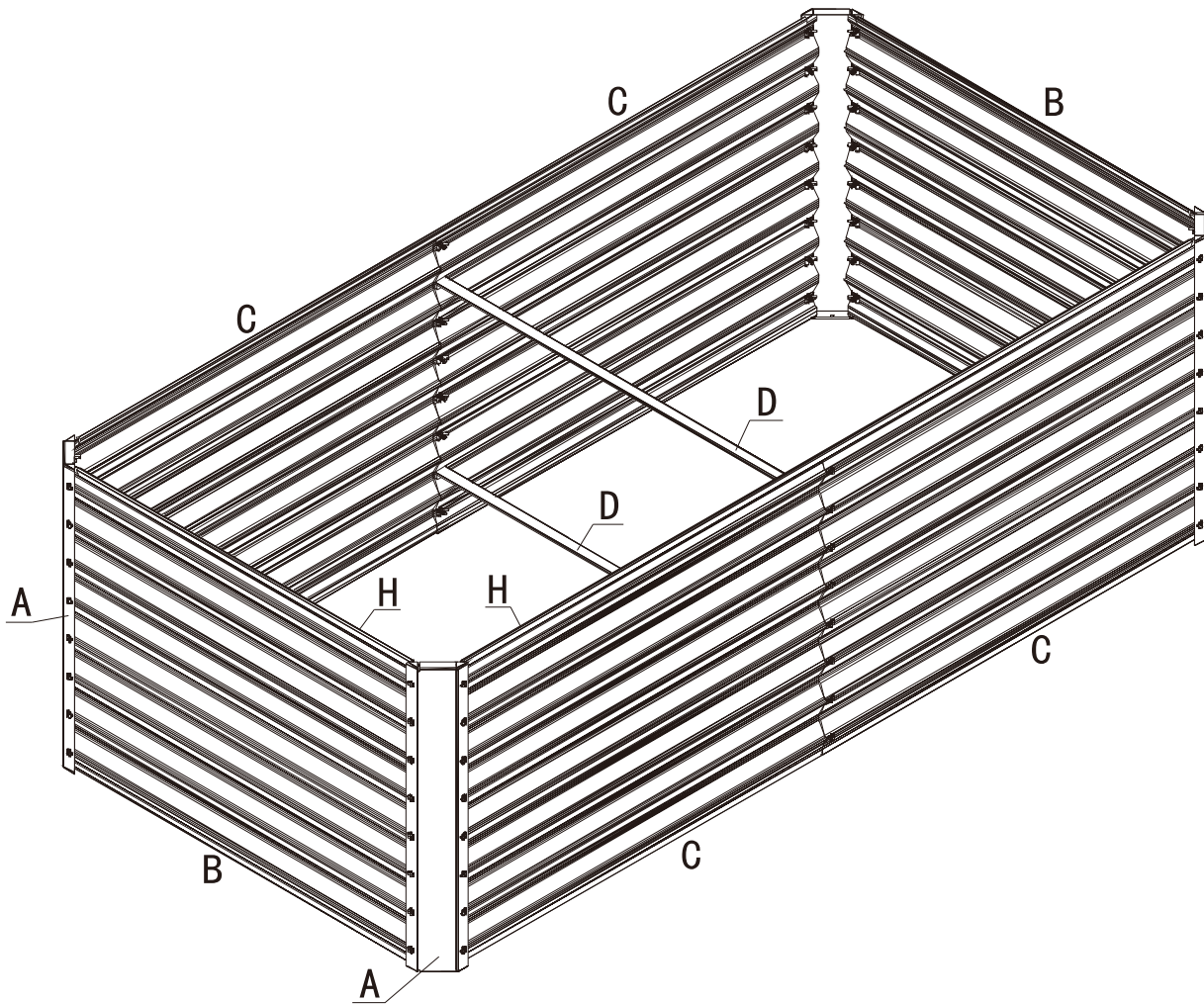
**Repeat the above procedures to assemble another side.**



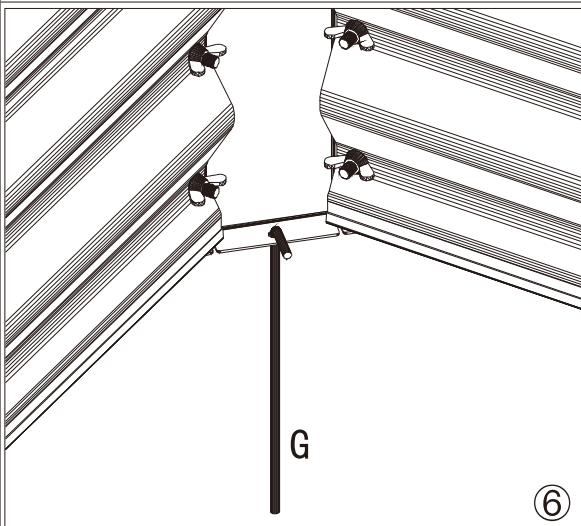
③ Overlap the 2 halves of the garden bed, then connect with 12 screws #E, and secure with 12 wingnuts #F. Leave the second and seventh set of connector holes empty.



④ Attach the 2 Bracing Rods #D with 4 screws #E.



⑤ Cut the Rubber Strip #H into 4 pieces equal to the length/width of the garden bed then place them on the top edges.



⑥ Secure the Corner Connectors with 4 stakes #G, 1 stake per Corner Connector.