

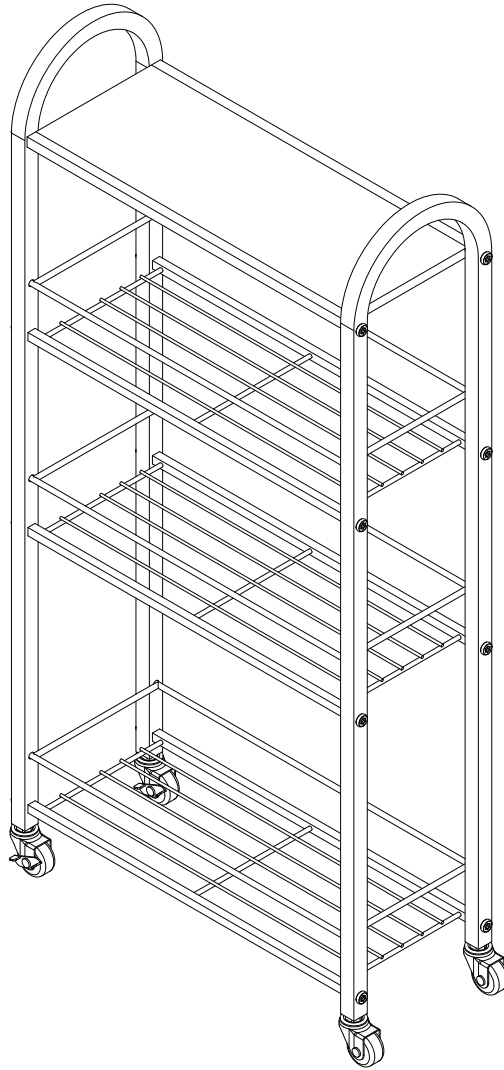
STYLE NO:

# 6766-16327 | Slim 4-Tier Cart

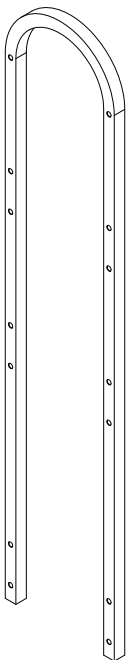


**Part Reference**

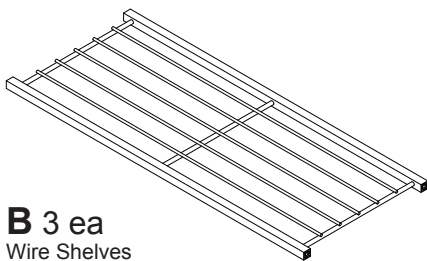
A	F12960
B	F12961
C	F12962
D	F12963
E	F12964
F	F12965
G	F12966
H	F12967
I	F12968
J	F12969



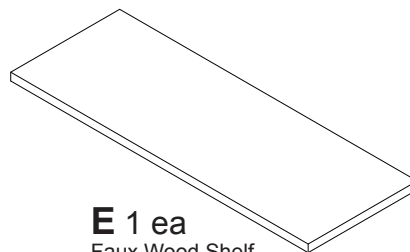
**No additional tools required.**



**A 2 ea**  
Side Frames



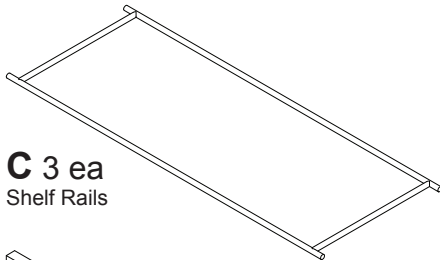
**B 3 ea**  
Wire Shelves



**E 1 ea**  
Faux Wood Shelf



**H 1 ea**  
Multi-Tool



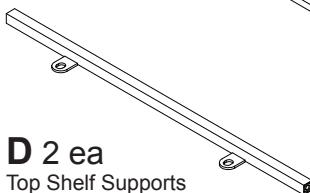
**C 3 ea**  
Shelf Rails



**F 16 ea**  
Hex Screws



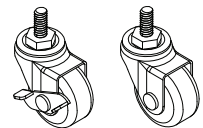
**I 1 ea**  
Open Wrench



**D 2 ea**  
Top Shelf Supports



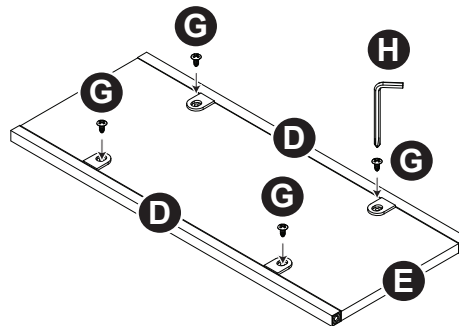
**G 4 ea**  
Phillips Screws



**J 4 ea**  
Wheels (2 locking)

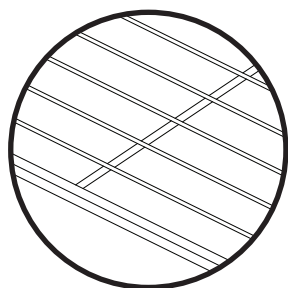
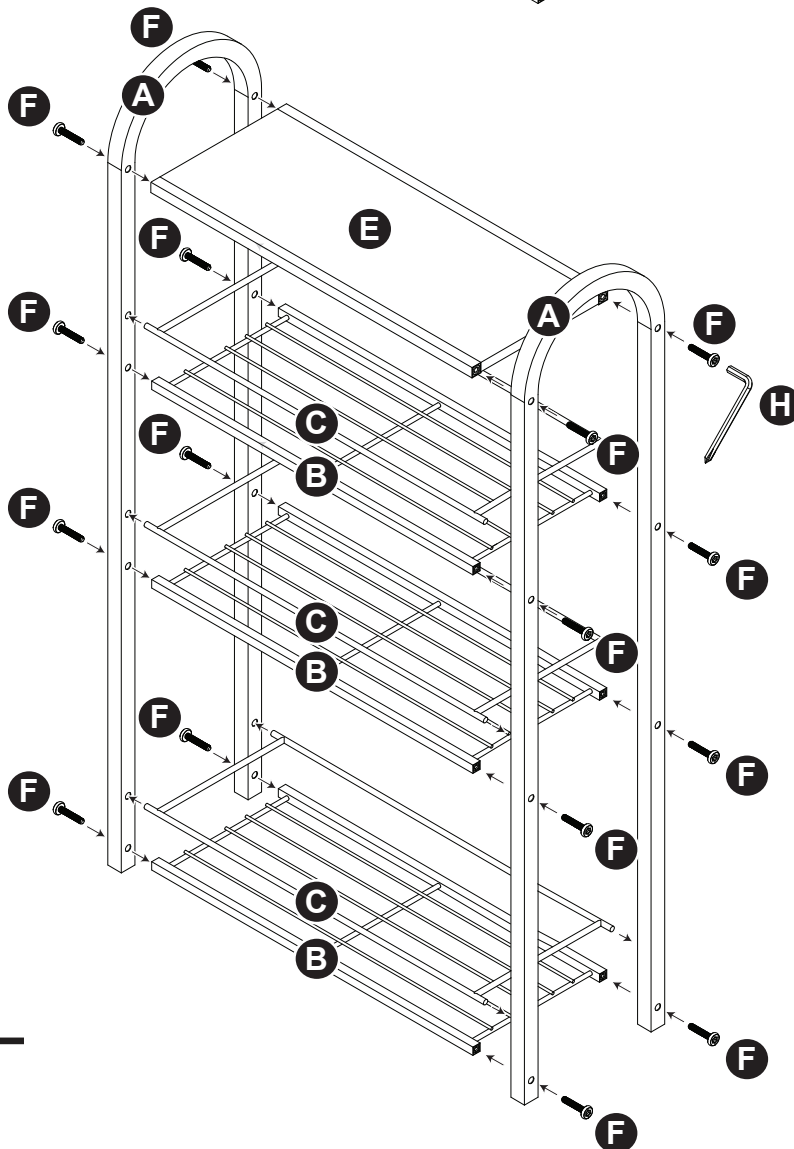
## STEP 1:

- To assemble the top shelf follow the drawings on the right. Attach two top shelf supports (D) flush with the faux wood shelf (E) using pre-drilled holes and four Phillips screws (G).
- Tighten with the long side of the multi-tool (H).



## STEP 2:

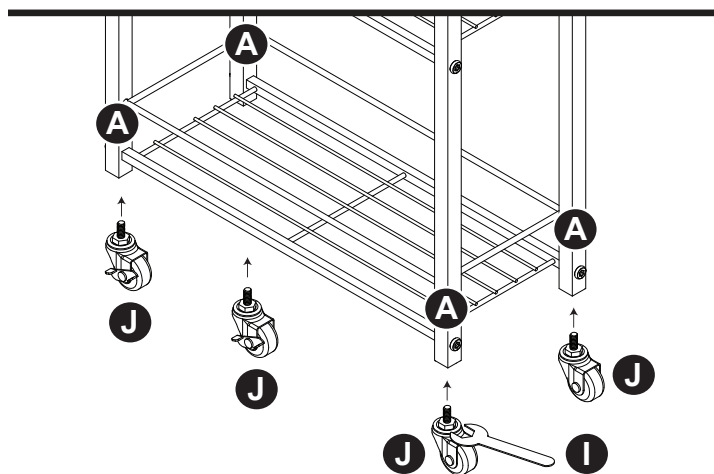
- Ensure the sides of the two side frames (A) with fourteen screw holes are assembled facing inward.
- Starting from the bottom install wire shelf (B) between two side frames (A). Loosely hand tighten four hex screws (F).
- Insert the bottom shelf rail (C) into the side frames (A) above the wire shelf (B). **NOTE:** for a seamless look make sure the weld side of the rail faces down. If unable to attach shelf rail (C), loosen the screws in the wire shelf (B) below.
- Working up from the bottom shelf, repeat previous steps to install second and third wire shelves (B) and shelf rails (C).
- Install assembled top shelf (E) between two side frames (A) using four hex screws (F).
- Tighten all screws with the short side of the multi-tool (H).



**NOTE:** Correct orientation of the wire shelves is the thinner wire on top.

## STEP 3:

- Screw the four wheels (J) into the bottoms of the side frames (A).
- Make sure the locking wheels are on one side and are easily accessible.
- Tighten with an open wrench (I).



8680 Swinnea Road • Suite 103 • Southaven, MS • 38671

**NEED HELP?** For help with assembly, or if you are missing a part, please call Whitmor's Consumer Care Team, 1-888-944-8667 between 8 a.m. and 4:30 p.m. (Central Standard Time) Monday through Friday, or email: [help@whitmor.com](mailto:help@whitmor.com). Visit us online at [www.whitmor.com](http://www.whitmor.com)