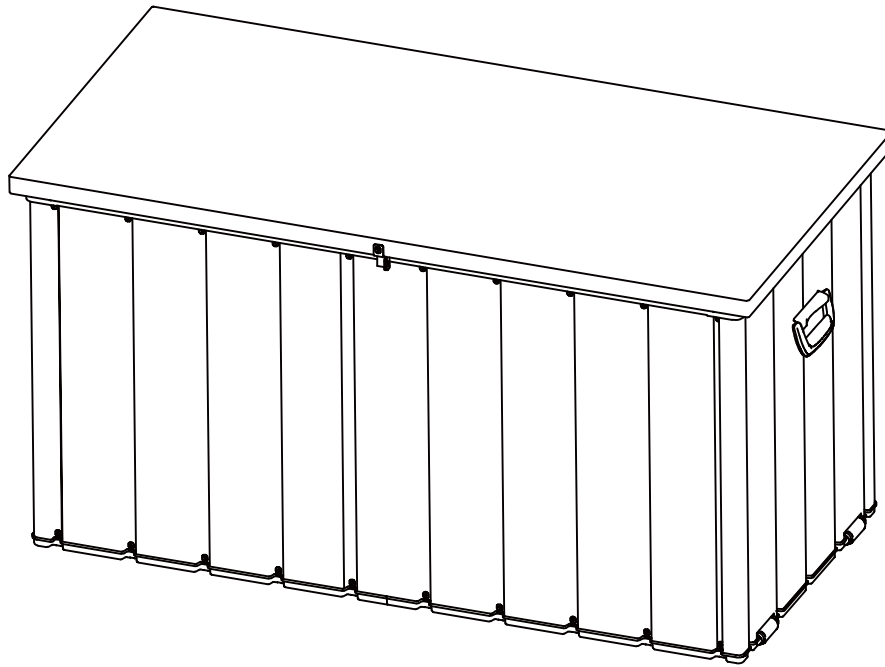




# 120 US GAL Metal Deck Box with Liner

## ASSEMBLY MANUAL



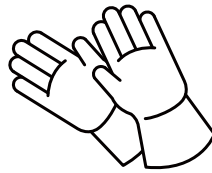
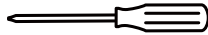
**SKU : LNCF0541-B**

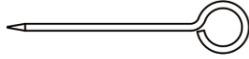
Missing part? Damaged? Contact us via email at  
[service@domioutdoorliving.com](mailto:service@domioutdoorliving.com)

© Copyright 2023–2025 domi LLC. All Rights Reserved.

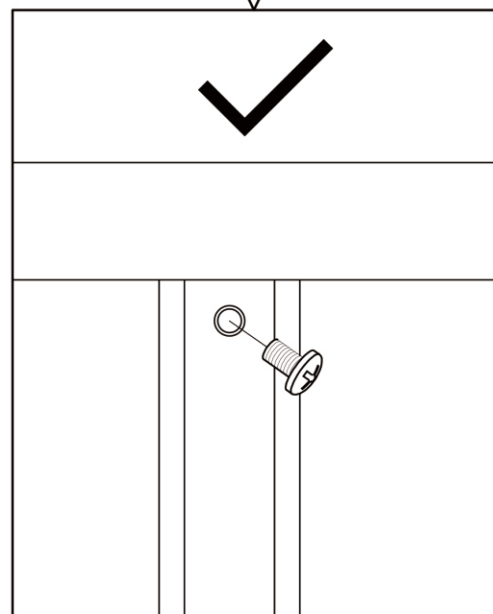
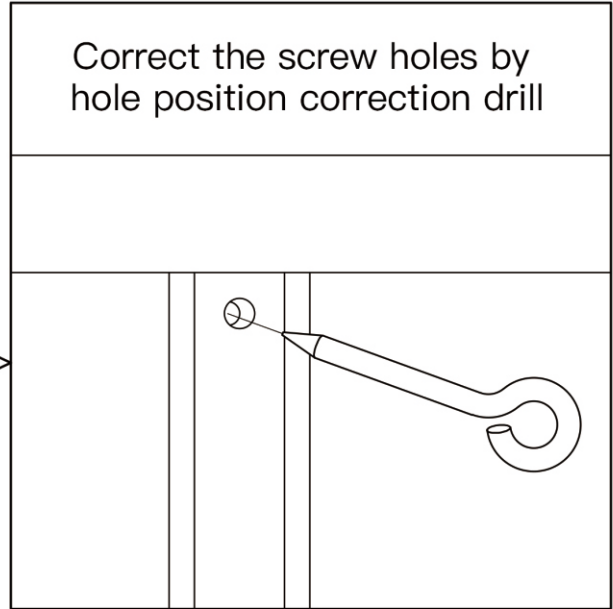
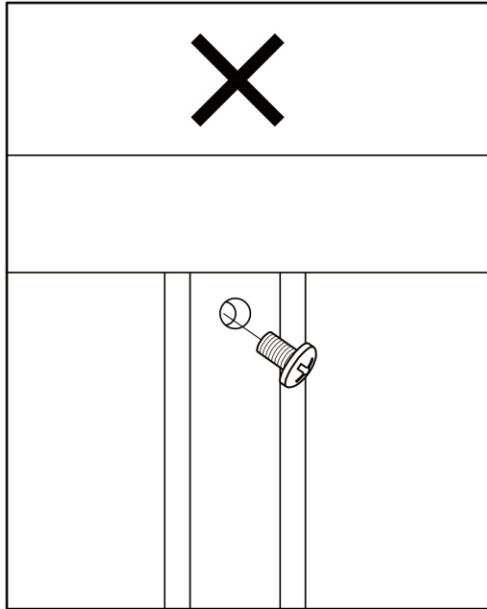
## BEFORE STARTING ASSEMBLY

- ① Some parts have metal edges. Please be careful when handling components. Always wear work gloves.
- ② Please check all parts and components to ensure that there are no damages or missing items BEFORE starting the construction of the product.
- ③ Please do not fully tighten the bolts prior to complete assembly.
- ④ Retain for future reference. Read carefully. For domestic use.

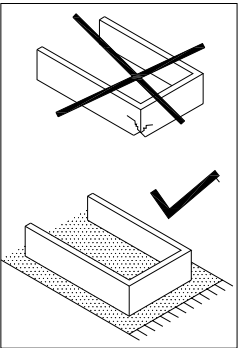
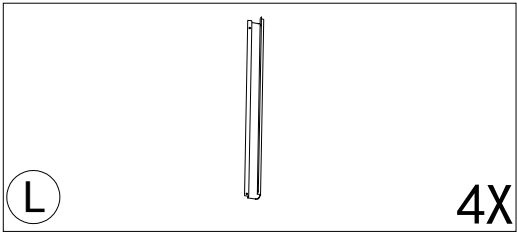
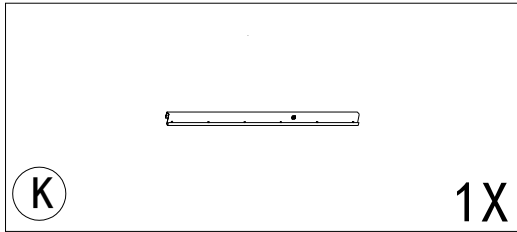
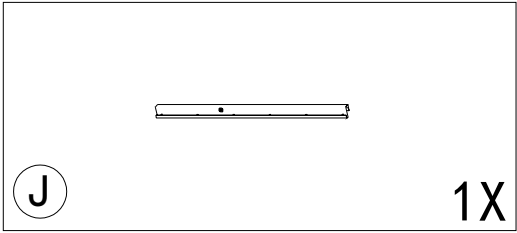
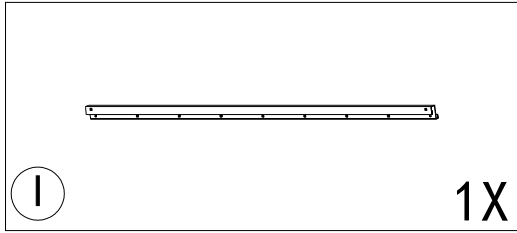
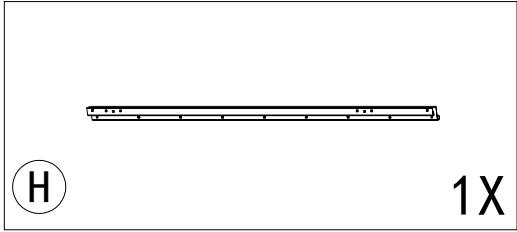
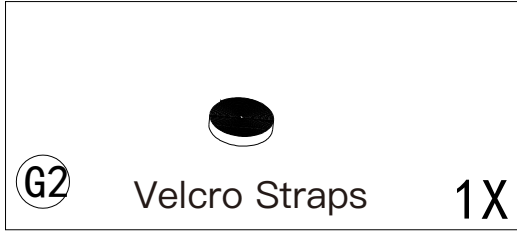
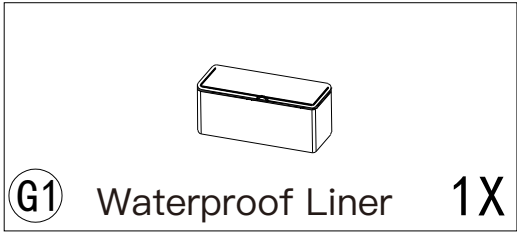
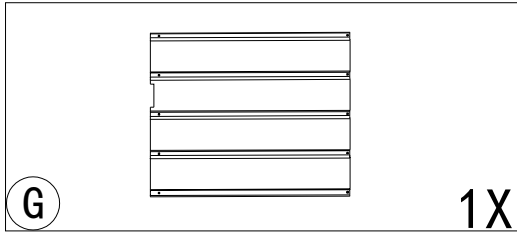
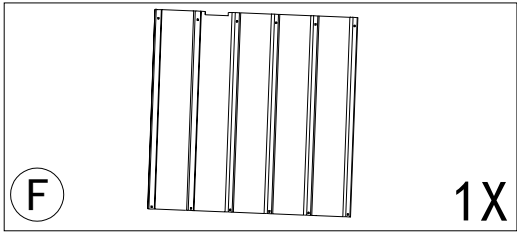
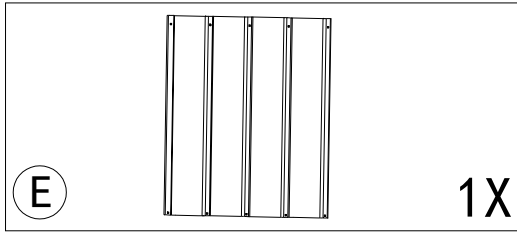
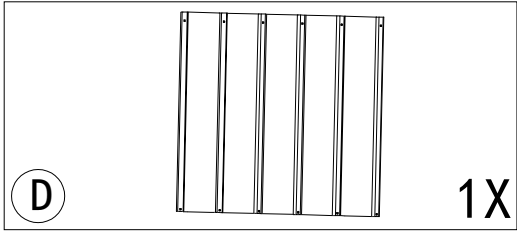
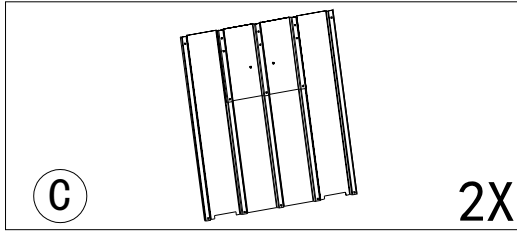
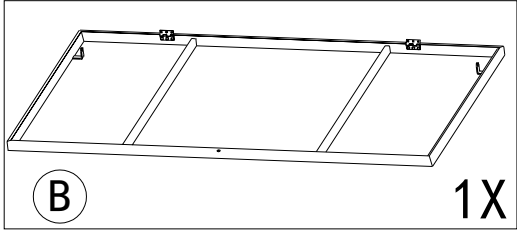
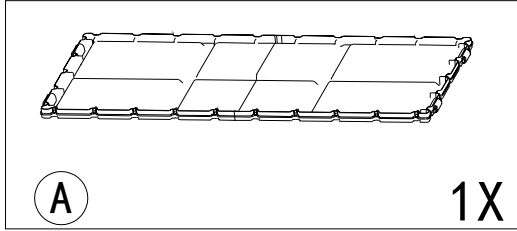




Hole position correction drill

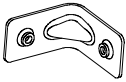

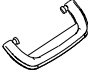


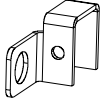



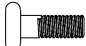


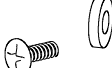









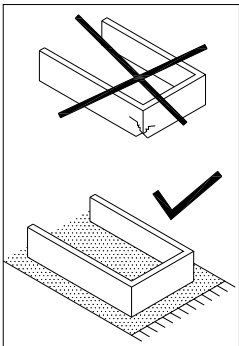
If the screw holes are not symmetrical, you can use this tool to correct the hole position.



1



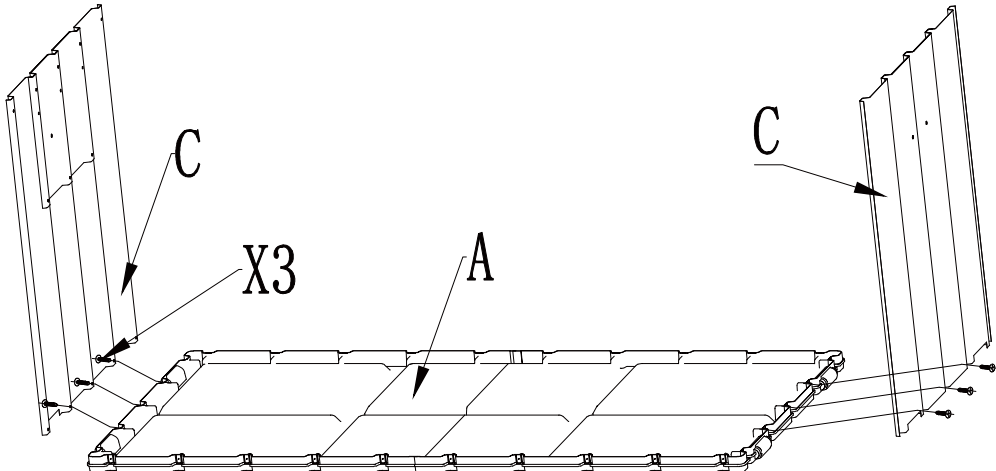



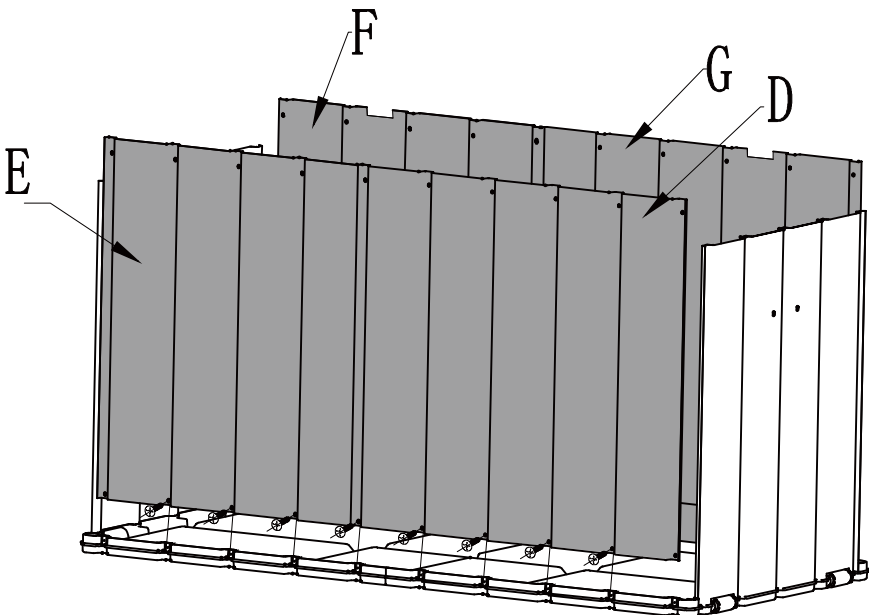



**⚠** Please do not fully tighten the bolts prior to complete assembly.



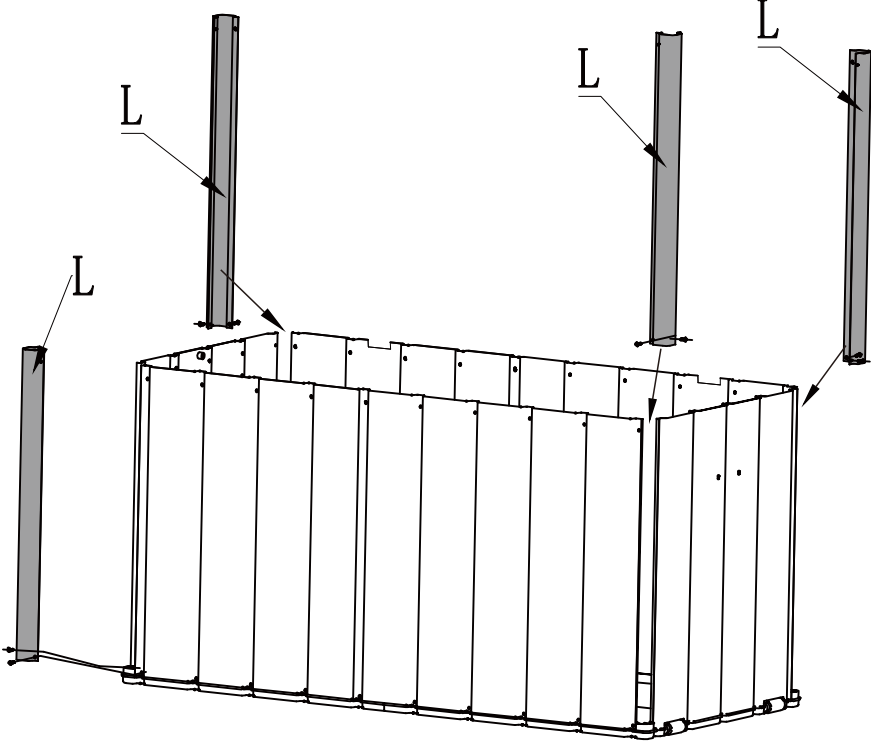
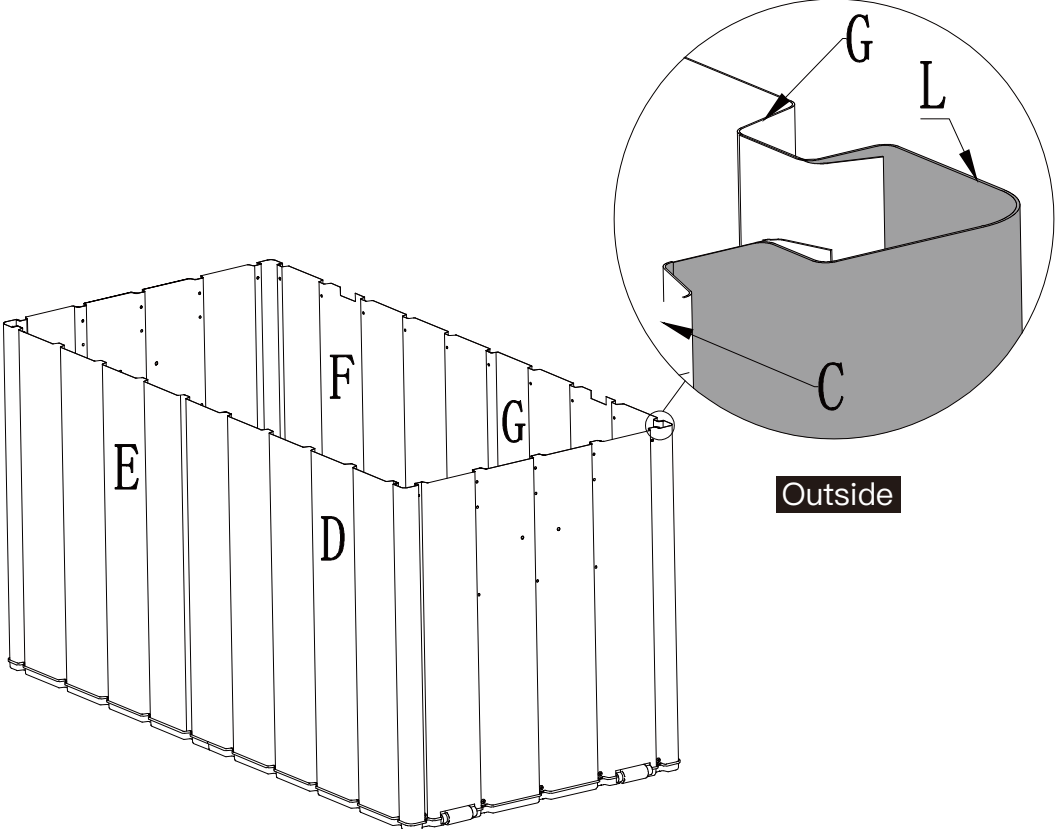
			
<b>M</b> 4X	<b>N</b> 4X	<b>P</b> 2X	<b>Q</b> 2X
			 M6
<b>R</b> 1X	<b>S</b> 1X	<b>T</b> 2X	<b>U</b> 2X
	 M6X16	 M6X25	 M4X10
<b>V</b> 2X	<b>W1</b> 2X	<b>W2</b> 2X	<b>X1</b> 15X
 ST4X8	 ST4X16		 Hole position correction drill
<b>X2</b> 23X	<b>X3</b> 38X	<b>O</b> 1X	<b>O1</b> 1X
 ST5X16			
<b>Y</b> 4X	<b>Z1</b> 1X	<b>Z2</b> 1X	<b>Z3</b> 1X





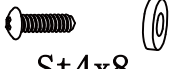


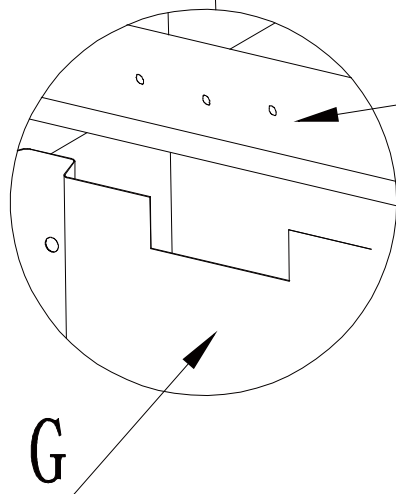
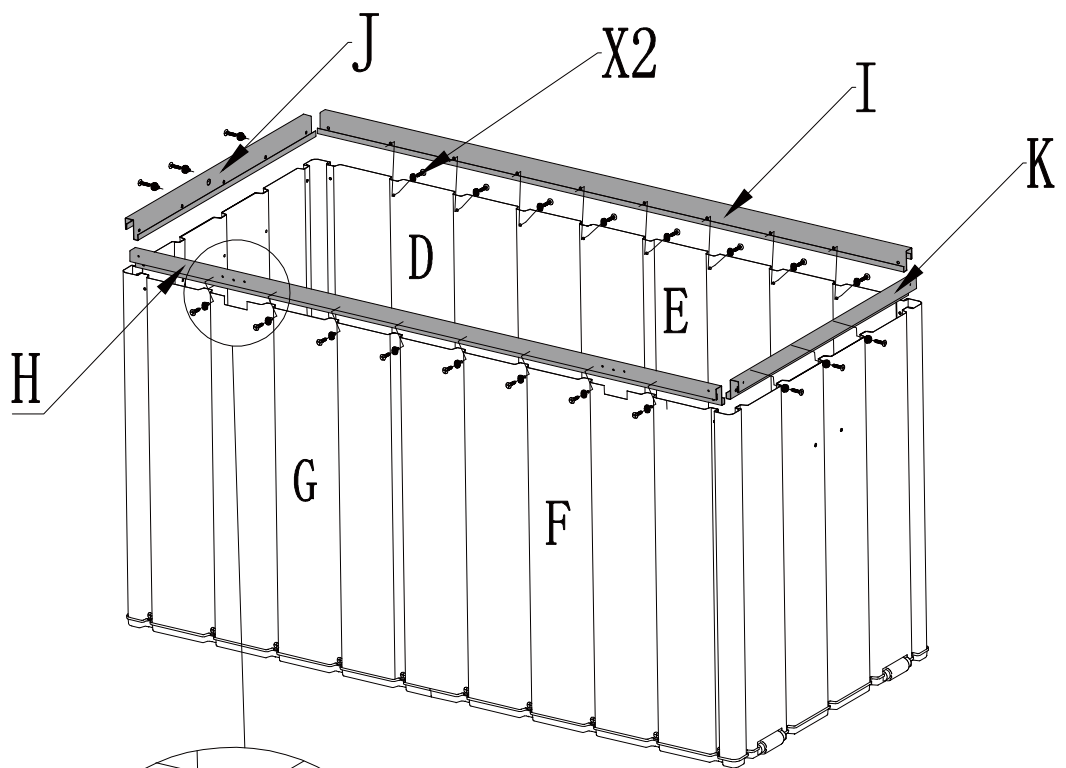
2

**!** Please do not fully tighten the bolts prior to complete assembly.

 <b>(A)</b> 1X	<p>(1) Place part #C on part #A, align the screw holes, and secure with 3 bolts #X3.</p> <p>(2) Repeat the above procedure to assemble the other side.</p>
 <b>(C)</b> 2X	
 St4x16 <b>(X3)</b> 6X	
 <b>(D)</b> 1X	
 <b>(E)</b> 1X	<p><b>Step 1:</b> Place part #D, #E, on part #A, align the screw holes, and secure with 8 bolt #X3.</p> <p><b>Step 2:</b> Place part#F, #G on part #A, align the screw holes, and secure with 8 bolt #X3.</p> 
 <b>(F)</b> 1X	
 <b>(G)</b> 1X	
 St4x16 <b>(X3)</b> 16X	
<b>3</b>	

 <p>(L) 4X</p>	<p>(1) Insert 4 part #L to the bottom of the deck box and secure with 8 bolt #X3.</p>
 <p>(X3) 8X</p>	
<p>4</p>	

	
(H) 1X	
	
(I) 1X	
	
(J) 1X	
	
(K) 1X	
 St4x8	
(X2) 22X	


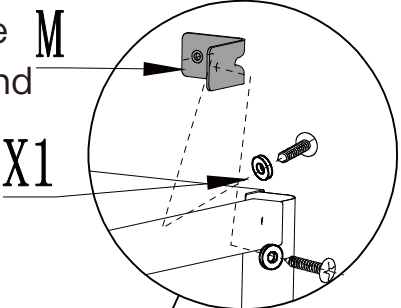

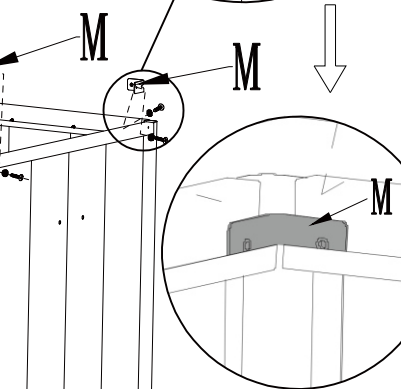





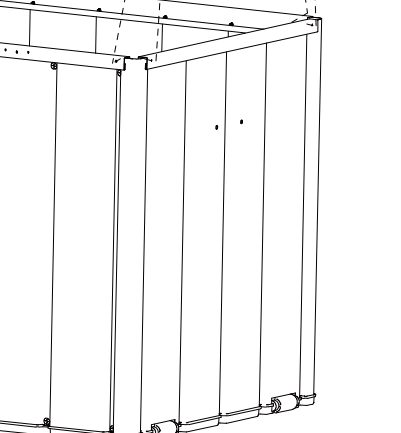





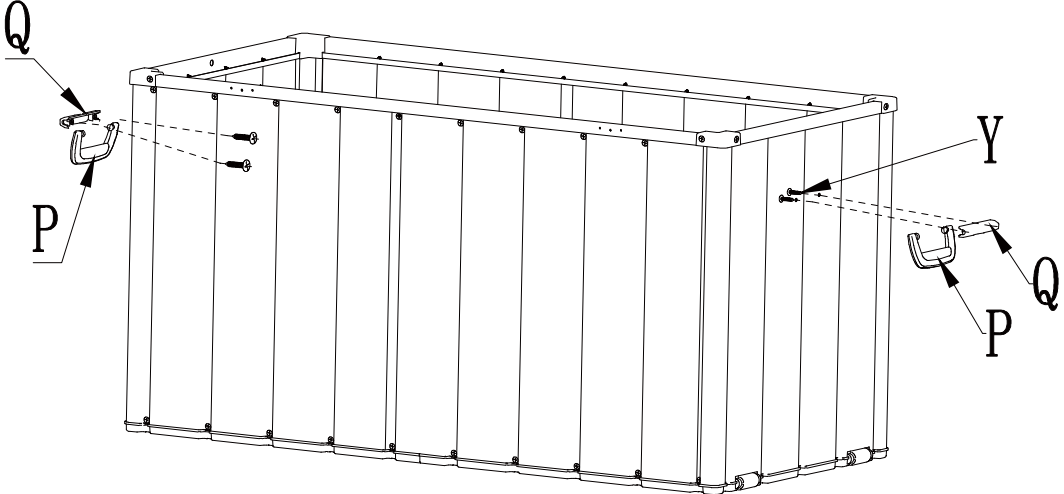



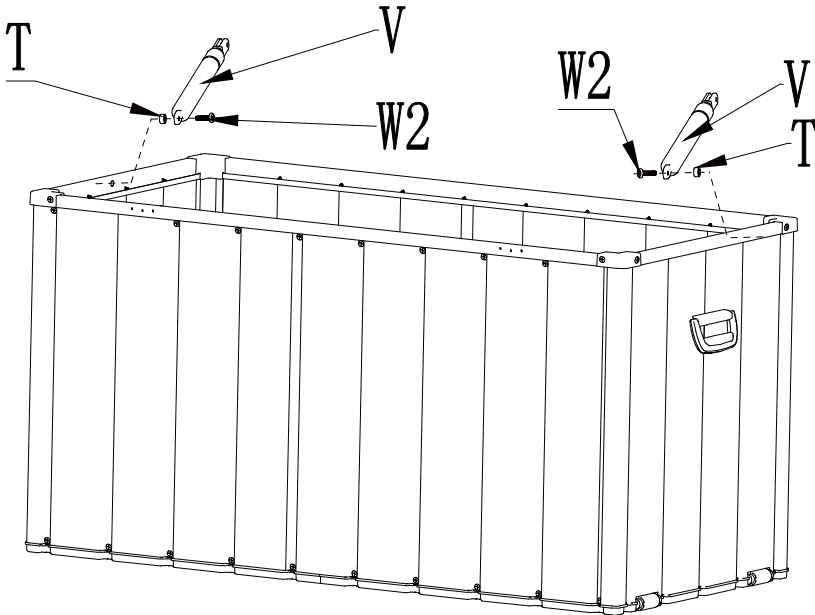


**Step 1:** Place part #H on the storage panel #G & #F as shown, align the screw holes, and secure with 8 gaskets and bolts #X2.

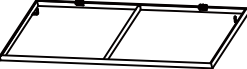
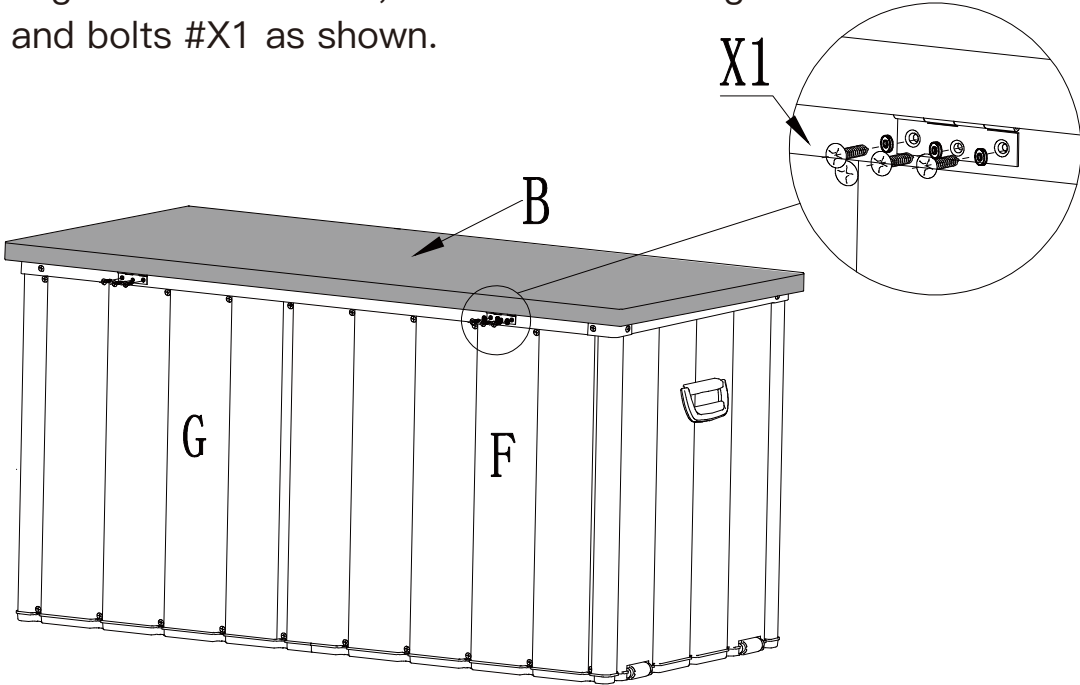

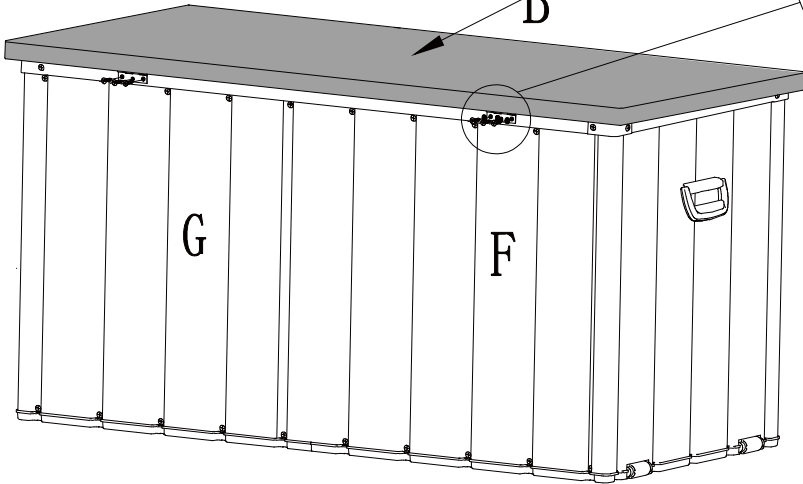
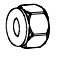
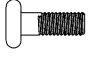
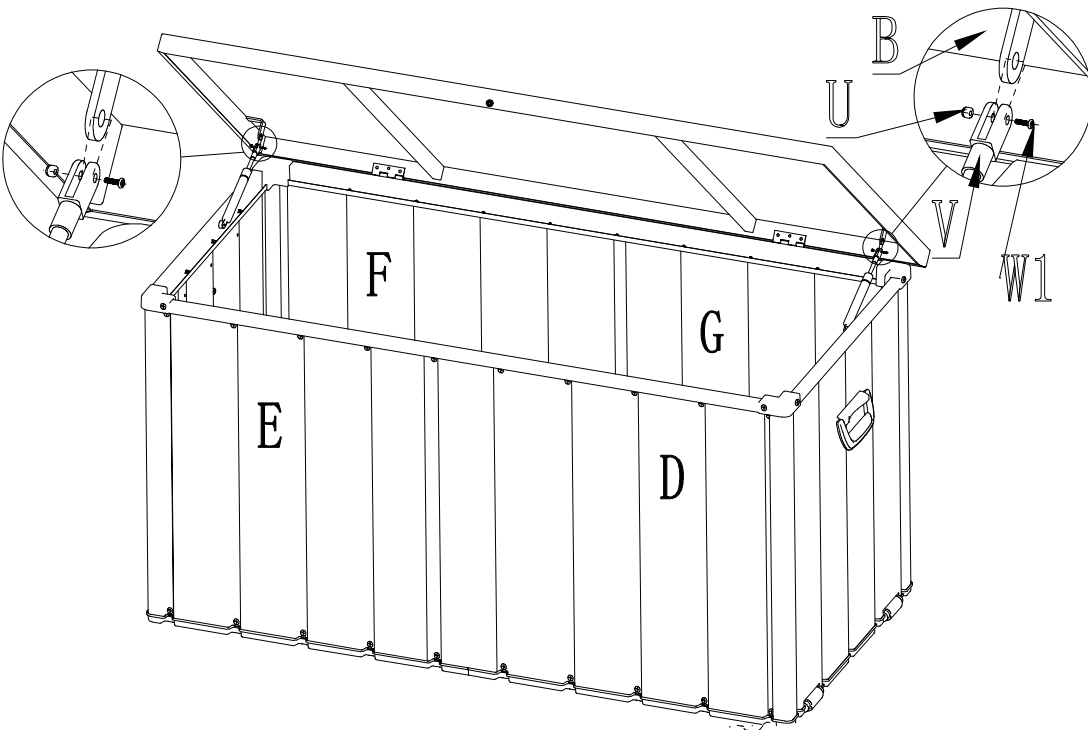
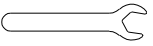

**Step 2:** Place part #I on the storage panel #E & #D as shown, align the screw holes, and secure with 8 gaskets and bolts #X2.

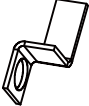
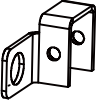

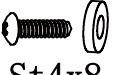
**Step 3:** Place part #J on the storage panel as shown, align the screw holes, and secure with 3 gaskets and bolts #X2.

**Step 4:** Place part #K on the storage panel as shown, align the screw holes, and secure with 3 gaskets and bolts #X2.

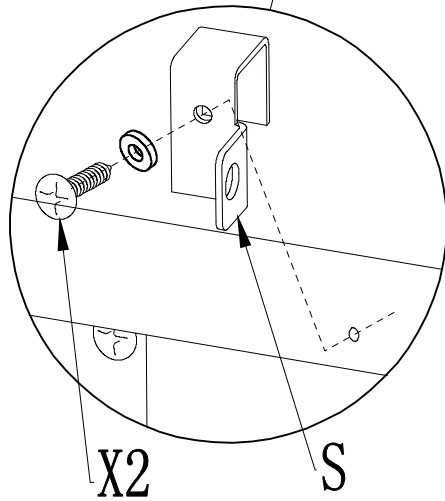
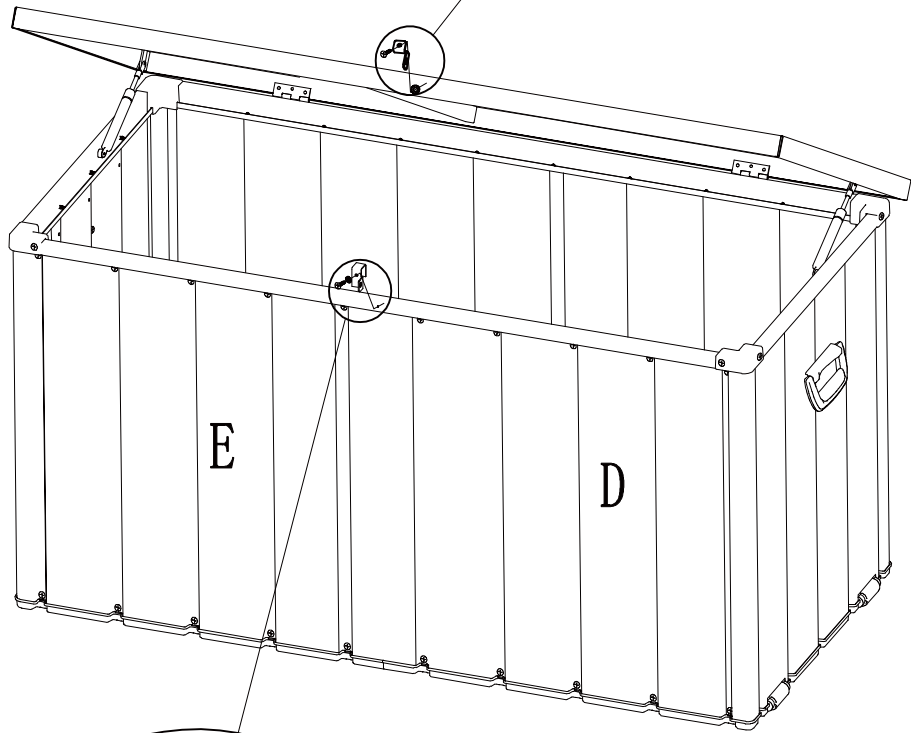
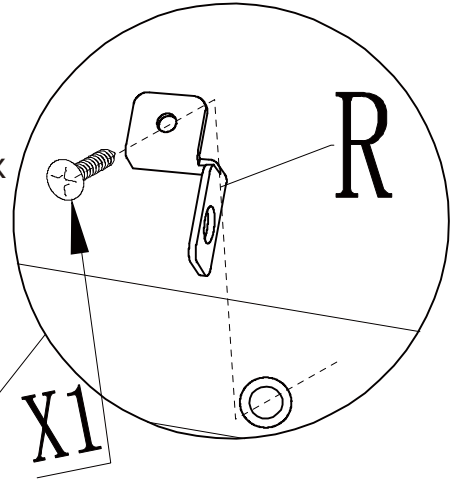
 <p><b>M</b>      4X</p>	<p>Place 4 part #M on the inside of the box frame, secure with 8 gaskets and bolts #X1 as shown.</p> 
 <p><b>X1</b>      8X</p>	
 <p><b>O</b></p>	
 <p><b>O1</b></p>	
 <p><b>N</b>      4X</p>	<p>Cover 4 part #N on the corner of the box, secure with 8 bolt #X3 as shown.</p> 
 <p><b>X3</b>      8X</p>	
 <p><b>O</b></p>	
<p><b>6</b></p>	

 <p>(P) 2X</p>	<p><b>Step 1:</b> Connect part #P and part #Q.</p> <p><b>Step 2:</b> Use bolt #Y to secure them to the storage panel.</p>
 <p>(Q) 2X</p>	
 <p>St5x16</p> <p>(Y) 4X</p>	
 <p>(V) 2X</p>	
 <p>(T) 2X</p>	<p>Use bolt #W2 and gasket #T to secure part #V on the storage panel as shown.</p> 
 <p>M6X25</p> <p>(W2) 2X</p>	
 <p>(Z2) 7</p>	

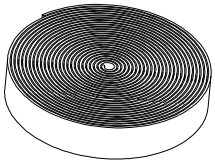
 <p><b>(B)</b> 1X</p>	<p>(1) Place part #B on the storage panel #G &amp; #F, align the screw holes, and secure with 6 gaskets and bolts #X1 as shown.</p> 
 <p>M4x10</p> <p><b>(X1)</b> 6X</p>	
 <p><b>(U)</b> 2X</p>	<p>(2) Use bolt #W1 and nut #U to connect part #V with the bracket under the lid.</p>
 <p>M6X16</p> <p><b>(W1)</b> 2X</p>	
 <p><b>(Z3)</b></p>	
 <p><b>(Z2)</b></p>	
<p><b>8</b></p>	

	<b>(R)</b>	<b>1X</b>
	<b>(S)</b>	<b>1X</b>
	<b>(X1)</b>	<b>1X</b>
	<b>(X2)</b>	<b>1X</b>

(1) Use gasket and bolt #X1 to fix part #R to the lid as shown.

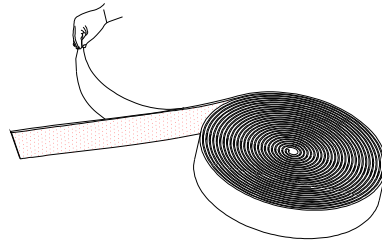


(2) Use gasket and bolt #X2 to fix part #S to the storage frame as shown.

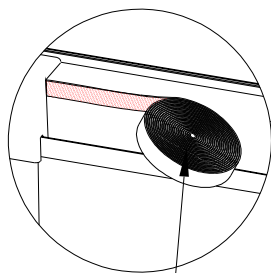


G2

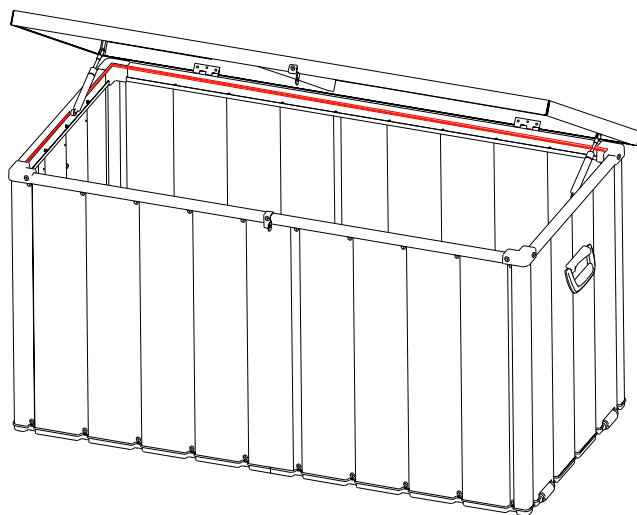
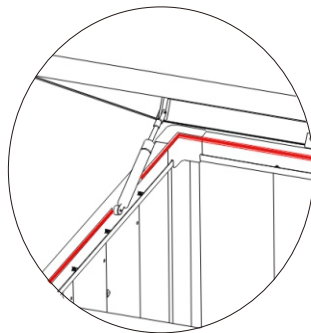
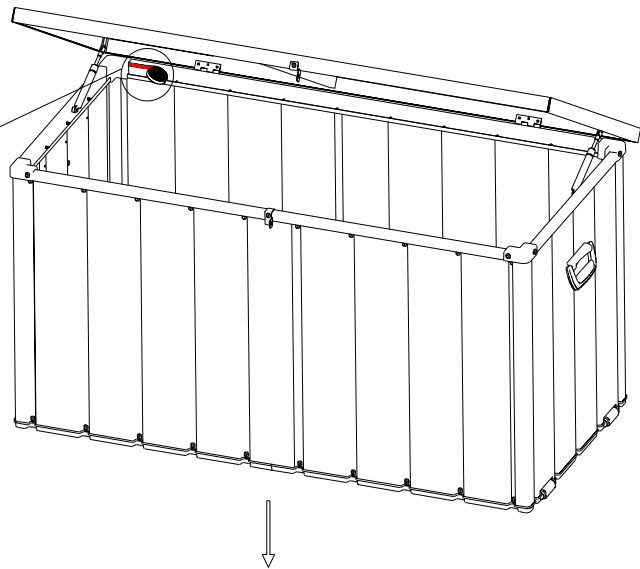
1X

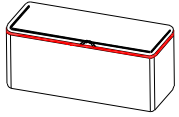


- (1) Remove the adhesive strip behind #G2.
- (2) Stick Velcro Straps to the inside of top frame #H, I,J, K as shown(You can cut it and paste in 4 strips).



G2



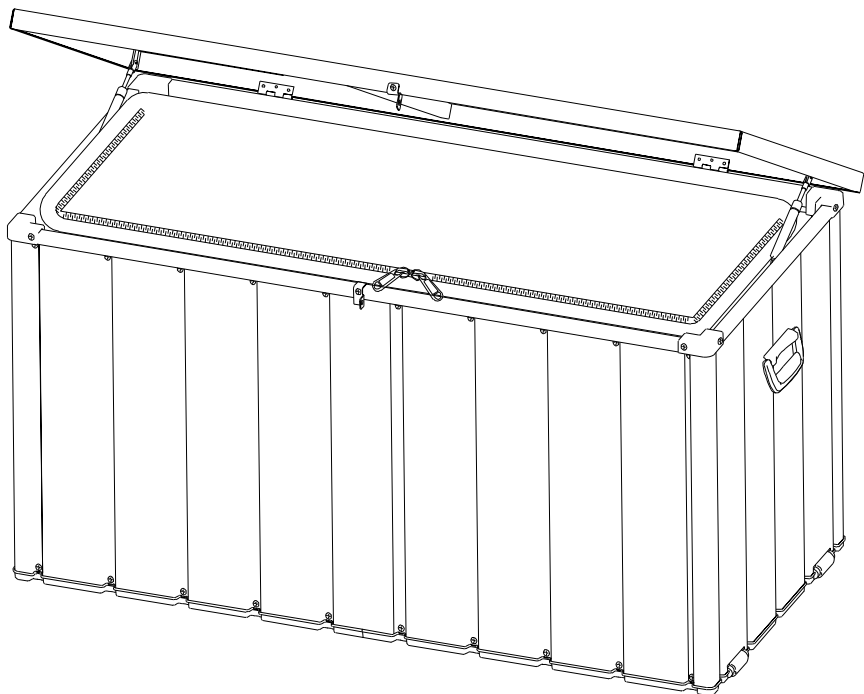
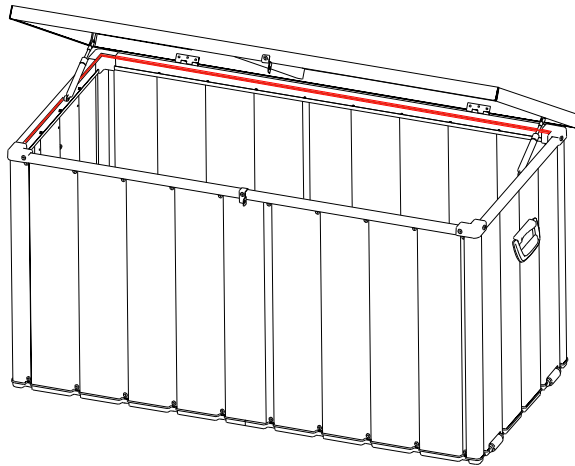
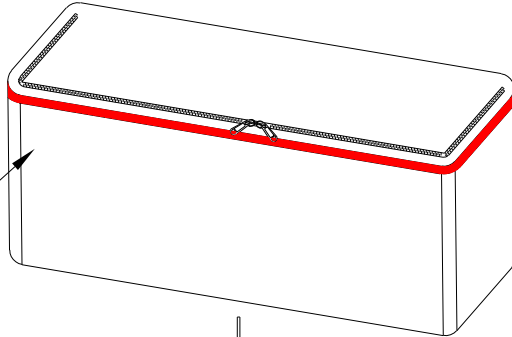


G1

1X

Place the liner #G1 in the box and secure the Velcro to the top frame #H, I,J, K.

G1





## CARE & SAFETY

It is of utmost importance to assemble all of the parts according to the directions. Do not skip any step.

Wear safety goggles and always follow the manufacturer's instructions when using power tools.

Hot items such as recently used grills, blowtorches, etc., must not be stored in the box.

Not designed for carrying items.

Do not stand on lid.

To prevent risk of suffocation, do not allow children to play inside the box.

**IF THERE ARE MISSING OR BROKEN PARTS, PLEASE DO NOT RETURN THE PRODUCT DIRECTLY.**

Please log onto our website, or contact Customer Service.



USA & Canada:  
1-833-807-3550



## Thanks for your purchase.

At domi outdoor living, we believe in our products.

That's why we provide a 12-month warranty and friendly, easy-to-reach after-sales service. So, if you have any questions about our product or assembly, please feel free to contact us. We are here for you.

**Support:**  

**After-sales contact email:**

[service@domioutdoorliving.com](mailto:service@domioutdoorliving.com)

**Business cooperation contact email:**

[marketing@domioutdoorliving.com](mailto:marketing@domioutdoorliving.com)

Please have your order ID available if you reach out for support.

If you have damaged parts or product, please send us photos for an immediate response.