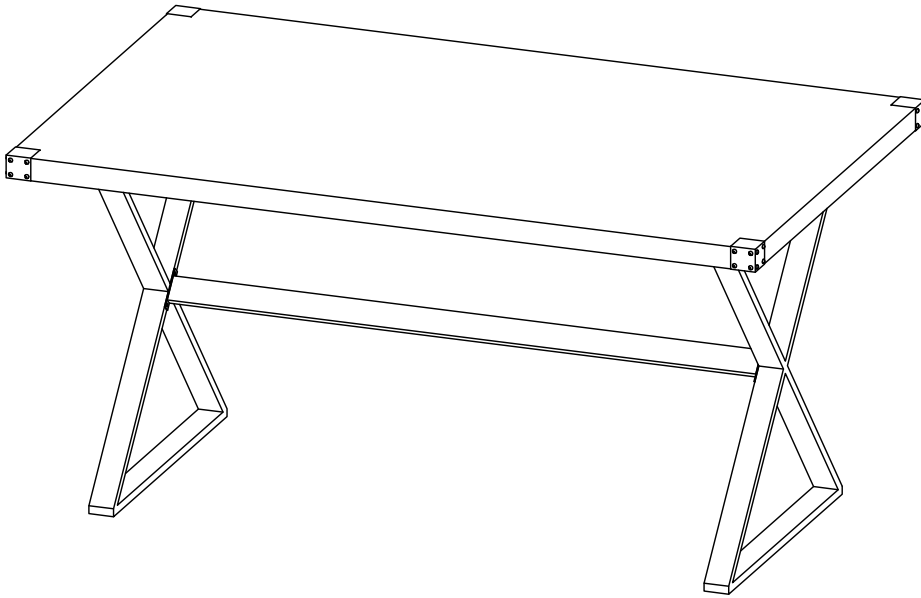







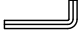
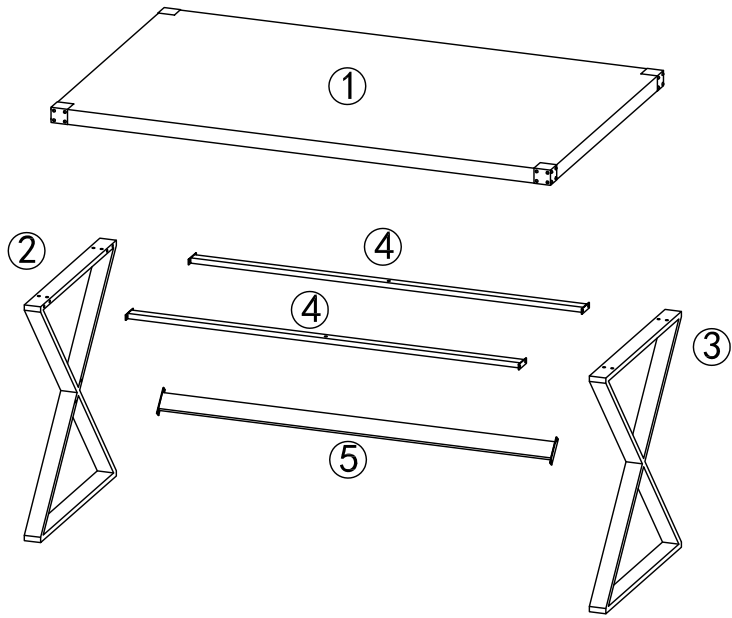


# WF303349

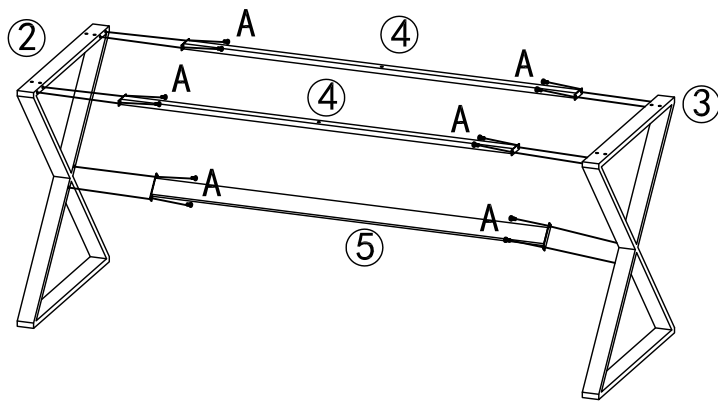
If you have any questions, please feel free to contact us.  
Email: [lowesteam@animalife.com](mailto:lowesteam@animalife.com)




①  X1	②  X1	③  X1	④  X2
⑤  X1	A  M6*12mm X12	B  M6*25mm X10	C  M4 X1

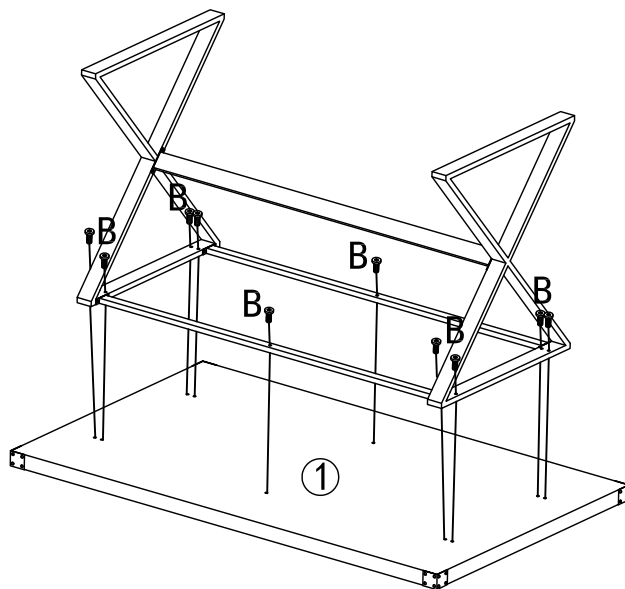



## STEP 1



A  
  
 M6\*12mm  
 X12

## STEP 2



B  
  
 M6\*25mm  
 X10