



**676-904HC** | 3/4in  
**676-906HC** | 1-1/4in

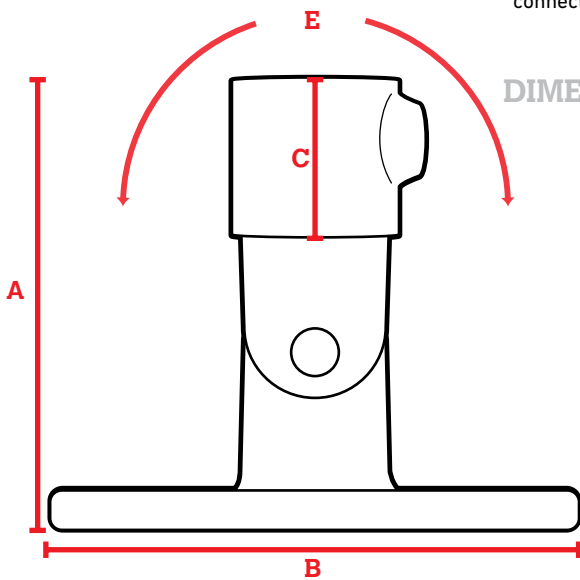
## SWIVEL BASE

### DESCRIPTION:

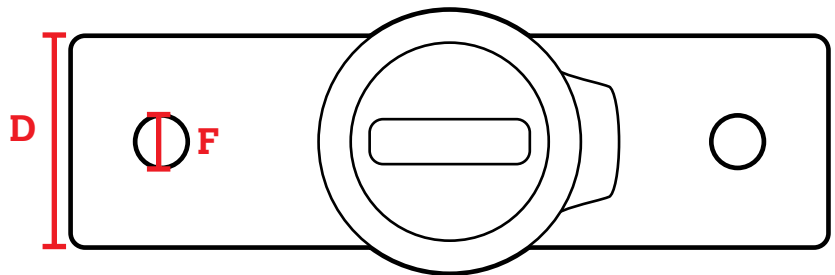
Swivel Base's are a combination of a Flange and Swivel Socket to let you have a secure base that can be adjusted with the ability to change directions 180-degrees. The wide base is has two pre-drilled holes for securing the fitting to a solid platform and the pipe end fits securely to the swivel connection point. This point comes with a screw for securing the pipe to the fitting.

### FEATURES:

- Zinc coating for corrosion resistance
- Galvanized steel construction for durable performance
- Easy installation and removal, no permanent connections
- No special tools needed
- Use an Allen Wrench for connections
- Able to operate in temperatures ranging from -20°C to 300°C



### DIMENSIONAL DATA:



PART #	SIZING	INSTALLATION SCREW (IN X MM)	A (Total Height)	B (Total Width)	C (Insert Depth)	D (Base Length)	E (Angle)	F (Screw Hole Diameter)	FITS PIPE OD (IN)	WEIGHT (LBS)
676-904HC	3/4in	1/4X12.5	3.72	4.41	1.18	2.05	180°	0.43	1.050	1.29
676-906HC	1-1/4in	3/8 x 12.7	4.03	4.41	1.50	2.05	160°	0.43	1.660	1.78

### CERTIFICATIONS & SAFETY:

- Materials meets ASTM A-197 Standard
- Not for Plumbing Applications
- Not for Scaffolding Applications
- Made to fit with SteelTek Pipe

#### California Prop 65 Warning:

This product contains chemicals including lead known to the State of California to cause cancer and birth defects or other reproductive harm. Wash hands after use.