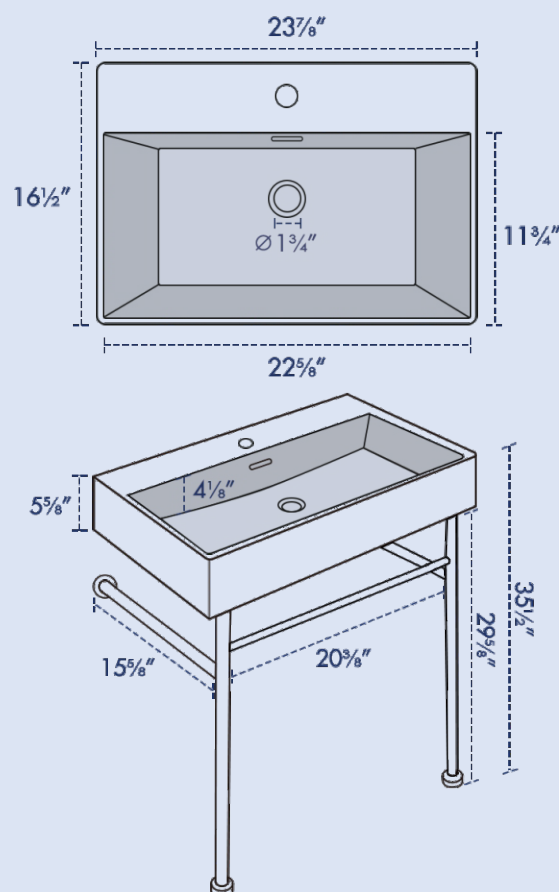




### SPECIFICATIONS

- Dimensions: 23<sup>7</sup>/<sub>8</sub>" L x 16<sup>1</sup>/<sub>2</sub>" W x 35<sup>1</sup>/<sub>2</sub>" H
- Inner dim: 22<sup>5</sup>/<sub>8</sub>" W x 11<sup>3</sup>/<sub>4</sub>" D x 4<sup>1</sup>/<sub>8</sub>" H
- Net weight: 44.8 lbs



### FEATURES

- Solid vitreous china construction
- Stainless steel legs for support
- Glazed, non-porous finish
- Standard 1<sup>3</sup>/<sub>8</sub>" faucet hole
- Standard 1<sup>3</sup>/<sub>4</sub>" drain hole
- With overflow

### INSTALLATION

- Back to Wall

### PARTS INCLUDED

- Sink: ERI-CB-104MB-MB
- Stainless Steel Support Legs
- Mounting Hardware

### COLORS & FINISHES

-  White / Brushed Nickel
-  White / Brushed Gold
-  White / Matte Black
-  Black / Matte Black