

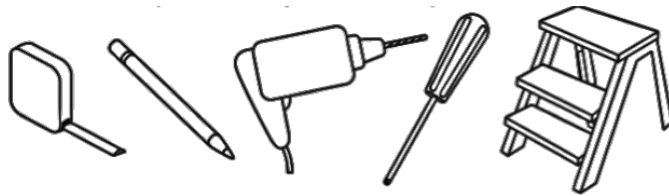
INSTALLATION AND OPERATING INSTRUCTIONS CORDLESS, NO TILT WAND, FAUX WOOD 2" BLIND

Step 1. Check Package Contents Part List

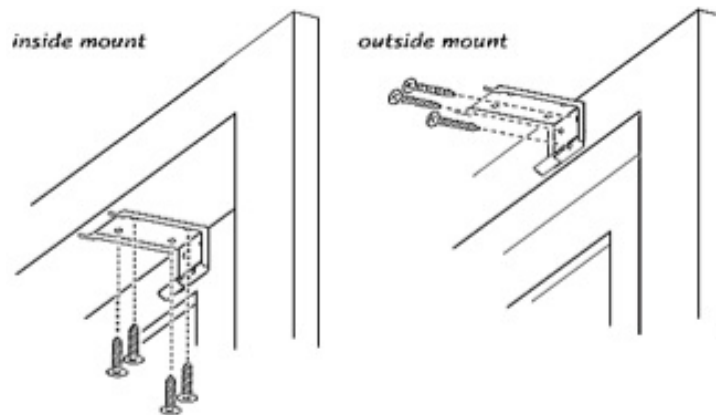
A) Mounting Brackets: 2 - Up To 33" Wide;
3 - Up to 48" Wide; 4 - Up To 72" Wide

B) 1 1/4" Screws: Four Per Mounting Bracket

Step 2. Tools Required

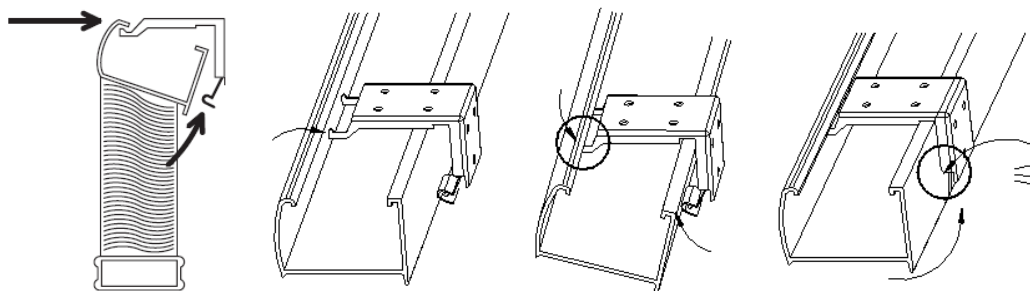


Step 3. Bracket Location and Installation



IMPORTANT: DO NOT MOUNT BRACKETS DIRECTLY ABOVE SPRING MECHANISMS IN HEAD RAIL

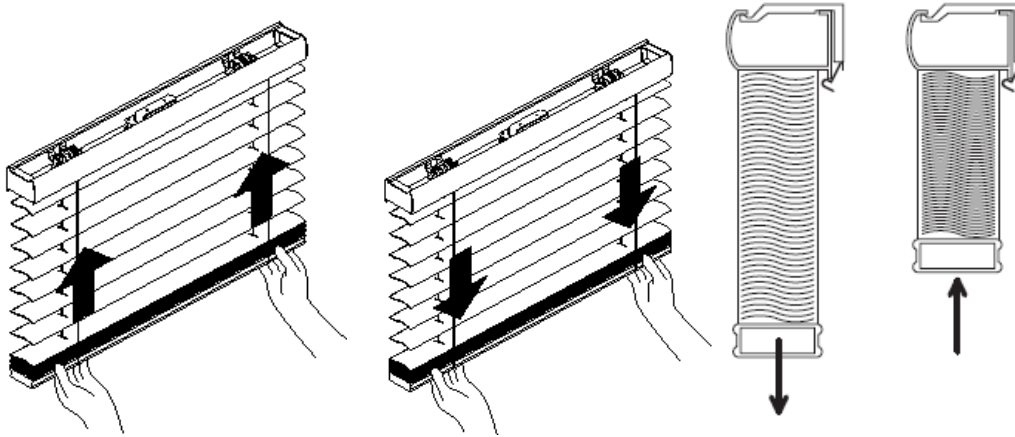
Step 4. Secure the Head Rail



Blind can be inside or outside mounted. For Inside mount, minimum for flush mount is 3 inch depth. Minimum mounting depth is 2 inches.

REMEMBER: Do not align the brackets directly over the cord spring mechanism. It can cause the blind to not operate properly.

Step 5. Operate Cordless Faux Wood Blind



To lower the shade: Grip bottom rail evenly and pull down to the desired length. To raise the shade: Grip bottom rail evenly and lift towards head rail to desired height. To adjust the angle of the slats: Grip bottom rail evenly and gently pull down or gently lift up to rotate the slats.

IMPORTANT! Always lower and raise at the center of the blind, or equally on each end of the blind, to assure that the bottom rail remains even.

RAISING FROM THE LEFT OR RIGHT HAND SIDE OF BOTTOM RAIL CAN CAUSE INNER CORDS TO TANGLE IN RETRACTING MECHANISM AND WILL MAKE BLIND UNLEVEL AND/OR INOPERABLE.

If the blind is not able to raise to the top, try using two hands to operate the blind as illustrated above.

Maintenance Of Your Cordless Blind

To maintain optimal performance of the springs that make your cordless blind function, lift and lower your blind through its full range of motion – all the way up and down to reset the springs.

ENJOY YOUR NEW CORDLESS 2” FAUX WOOD BLIND