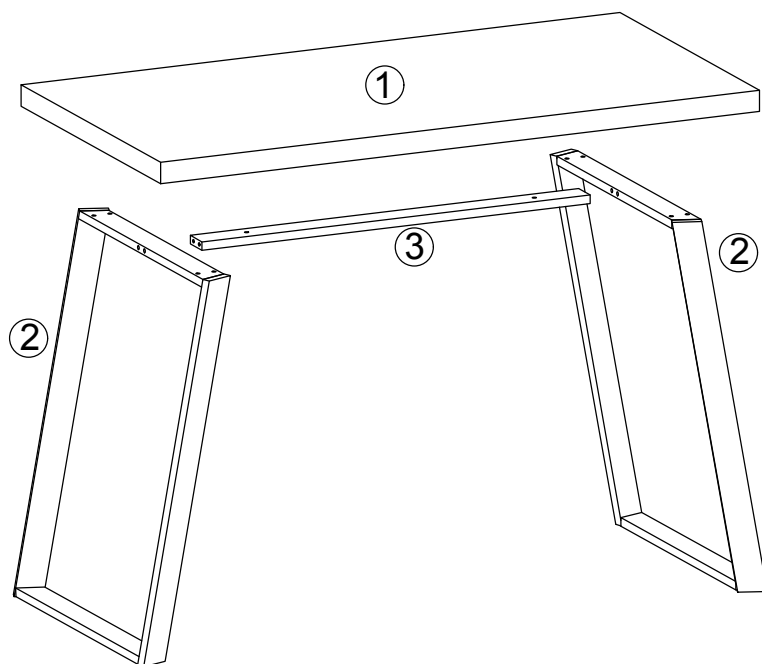
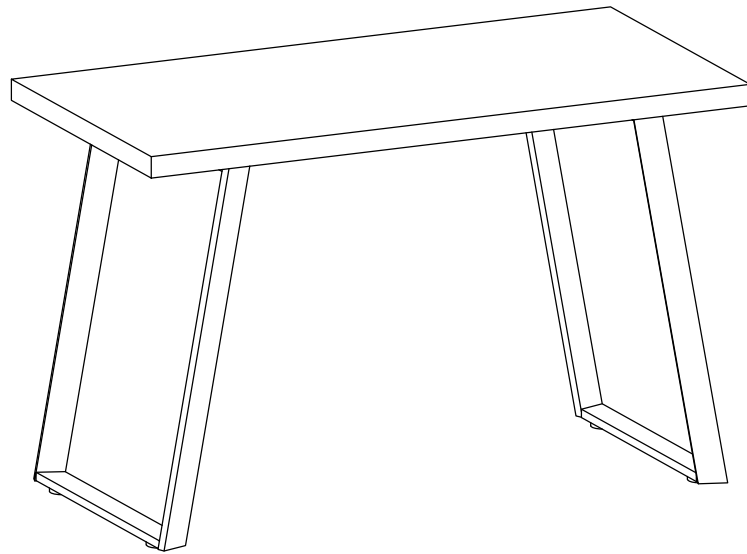
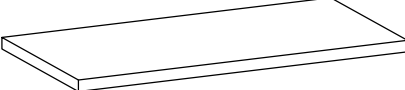




ASSEMBLY INSTRUCTIONS





SKU: WF195578AAD

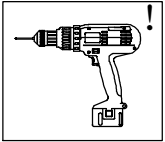


Part List

		
①×1pc	②×2pcs	①×1pc

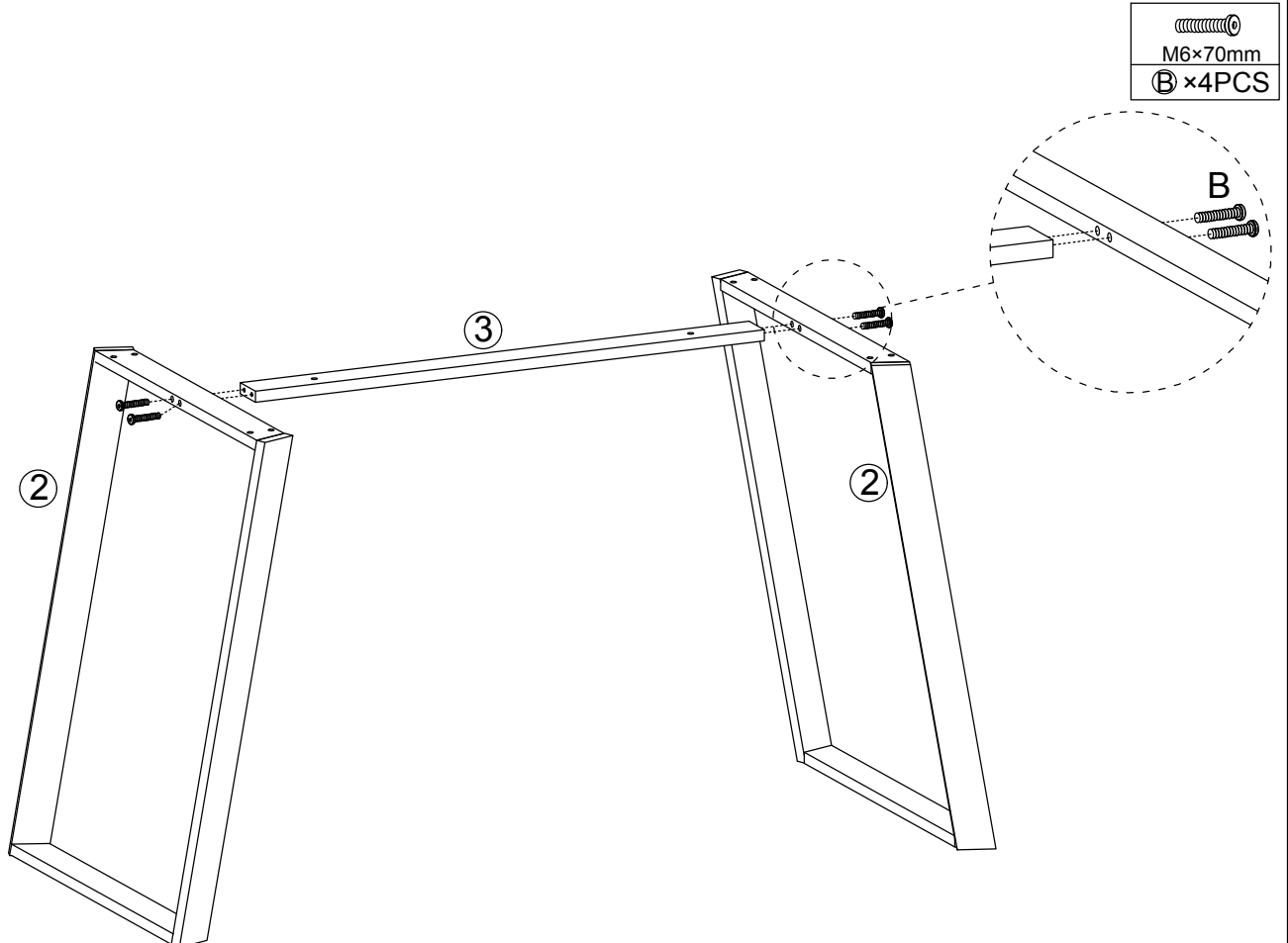
Hardware List

			
M6×35mm	M6×70mm		M4
Ⓐ×10pcs	Ⓑ×4pcs	Ⓒ×4pcs	Ⓓ×1pc

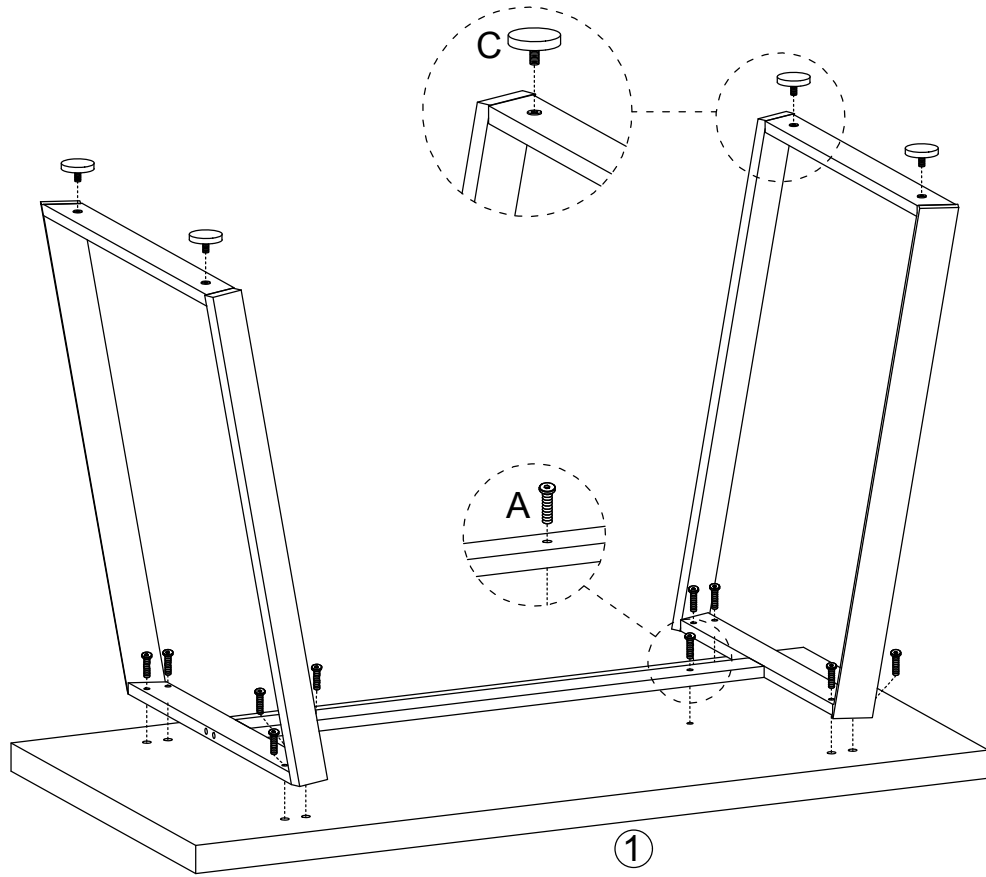
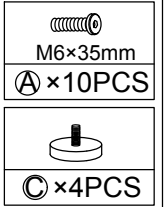


PLEASE BE CAREFUL DO NOT DAMAGE THE HOLE POSITION WHEN YOU USE POWER TOOLS !

Step 1



Step 2



Step 3

