



# SENECA III

## 72" x 48" Drop-In Acrylic Air Bath

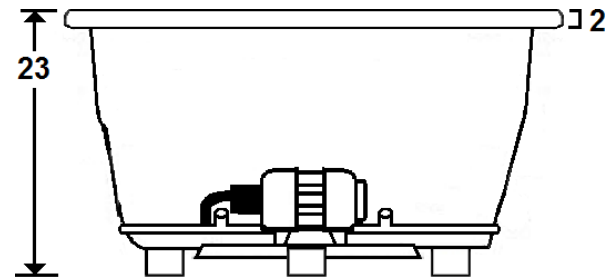
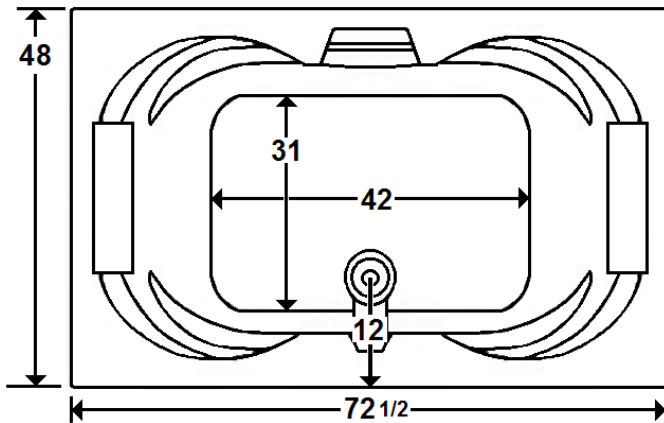
Model Number  
**4872SAH-WH**  
Drop-In White Air Bath  
**4872SAH-BI**  
Drop-In Biscuit Air Bath

### Features

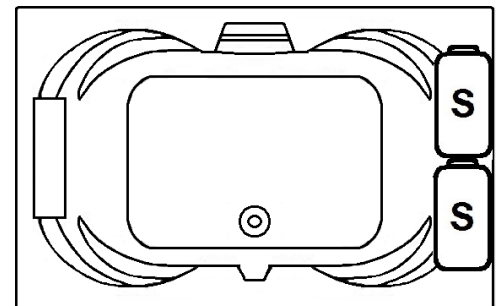
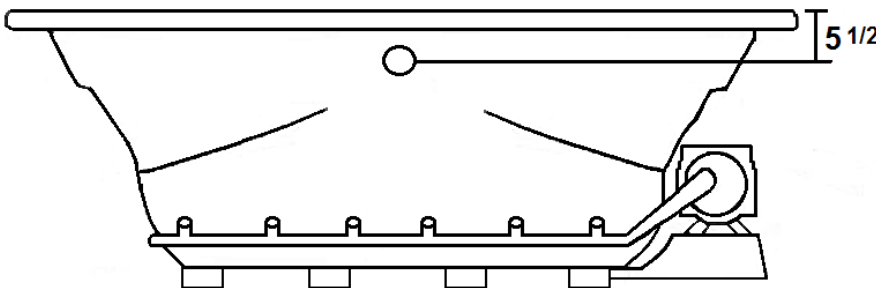
- 20+ high output later air jets & Pillows included
- 12 Amp variable speed blower
- Constructed of high-gloss durable acrylic
- Pre-leveled base for easy installation
- Automatic purge cycle with timer
- Maintenance water heater included
- Pillows included
- Made in the USA



**\*All dimensions are +/- 1/2" and subject to change without notice\***  
**Confirm specifications before installation**



Standard (S) Pump & Heater Location



### Technical Information

- Cut-Out Dimensions: 70 1/2" x 46"
- Weight: 200 lbs.
- Water Depth to Overflow: 16 1/4"
- Water Operating Level: NA
- Water Capacity: 112 gal.
- Sump Dimension: 42" x 31"

### Electrical Requirements.

- Standard Blower: 12 Amps
- Maintenance Heater: 12.5 Amps
- 2, 20 Amp Dedicated GFCI's required