

**Item Number: C0139**

**WARNING** (To reduce the risk of fire, electric shock, or injury to persons):

1. **ETL** Listed for TOP quality standard and safe operation. We suggest installation by a **licensed electrician**.
2. Please read the instruction carefully and save it as you may need it at a later time.
3. Before you start, **NEVER** attempt any work without shutting off the electricity until the work is done. A). Go to the main fuse, or circuit breaker, box in your home. Place the main power switch in the **"OFF"** position. B). Place the wall switch in the **"OFF"** position.
4. The mounting surface should be clean, dry, flat, strong enough and 1/4" larger than the canopy on all side. Any gaps between the mounting surface and canopy exceeding 3/16" should be corrected as required.
5. Make sure that the ceiling or wall can stand the weight of the lamp before the fixture.
6. Make sure the voltage you are using is **120V**. The maximum wattage is **60W** per bulb.
7. Keep the lamp away from acidic and basic objects in case of damaging the surface of the lamp.
8. When replacing the bulb, you should turn off or unplug the lamp and you must wait until it is cool as bulbs get hot quickly.
9. The safety instructions appearing in this manual are not meant to cover all possible conditions that may occur. It must be understood that common sense, caution, and care must be used with any electrical products.

## IMPORTANT SAFETY INSTRUCTIONS READ AND FOLLOW ALL SAFETY INSTRUCTIONS

Lighted lamp is HOT!

**WARNING**-To reduce the risk of FIRE OR INJURY

**CAUTION**-Use indoors only.

**CAUTION**-Risk of Electric Shock

**CAUTION**-Hot surface. Keep away from curtains and other combustible materials.

Turn off power and allow to cool before replacing lamp.

Lamp gets HOT quickly! Contact only switch/plug when turning on.

Do not touch hot lens, guard, or enclosure.

Keep lamp away from materials that may burn.

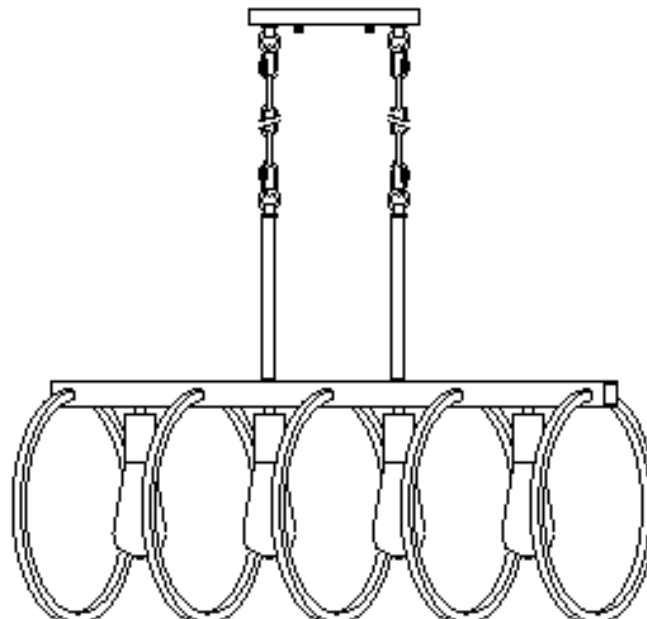
Do not touch the lamp at any time. Use a soft cloth. Oil from skin may damage lamp.

Do not operate the luminaire with a missing or damaged shield.

Do not use if there is any damage to the light or cord insulation. Inspect periodically.

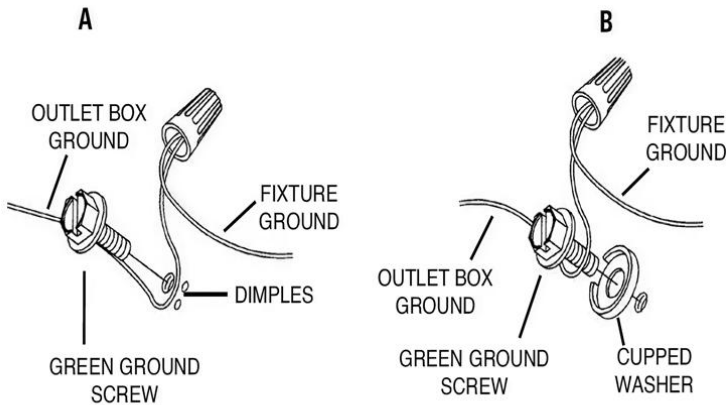
CONSULT A QUALIFIED ELECTRICIAN TO ENSURE CORRECT BRANCH CIRCUIT CONDUCTOR

**Image for finished product:**



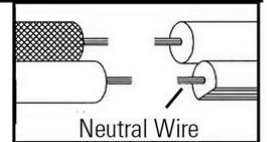
## Installation Procedures:

1. Open the package and take out all the parts or accessories, then place them on a clean flat place.
2. Turn off power at the circuit box to avoid possible electric shock.
3. Assemble the light fixture as below procedure:
4. Fix the five metal rings (1) to the bar (3) by screws (2) in turn.
5. Fix the rod (4) to the bar (3).
6. Connect chain (5) to rod (4) and canopy (6).
7. Fix mounting plate (7) to the ceiling with screw (8), then connect the wire from the lamp to outlet box with wiring cap (9). The detailed connection of wires is as follows:



Connect Black or Red Supply Wire to:	Connect White Supply Wire to:
Black	White
*Parallel cord (round & smooth)	*Parallel cord (square & ridged)
Clear, Brown, Gold or Black without tracer	Clear, Brown, Gold or Black with tracer
Insulated wire (other than green) with copper conductor	Insulated wire (other than green) with silver conductor

\*Note: When parallel wires (SPT I & SPT II) are used. The neutral wire is square shaped or ridged and the other wire will be round in shape or smooth (see illus.)



8. Push canopy (6) upward to the outlet box and secure it with the screw cap (10) until snug.
9. Install bulb (11) (not included) to the lamp base.
10. Check everything installed correctly, then you can turn on the light.

