

KICHLER®

65" GENTRY

Product images may vary slightly from actual product.



INSTRUCTION MANUAL
REV 1-JUN-2021

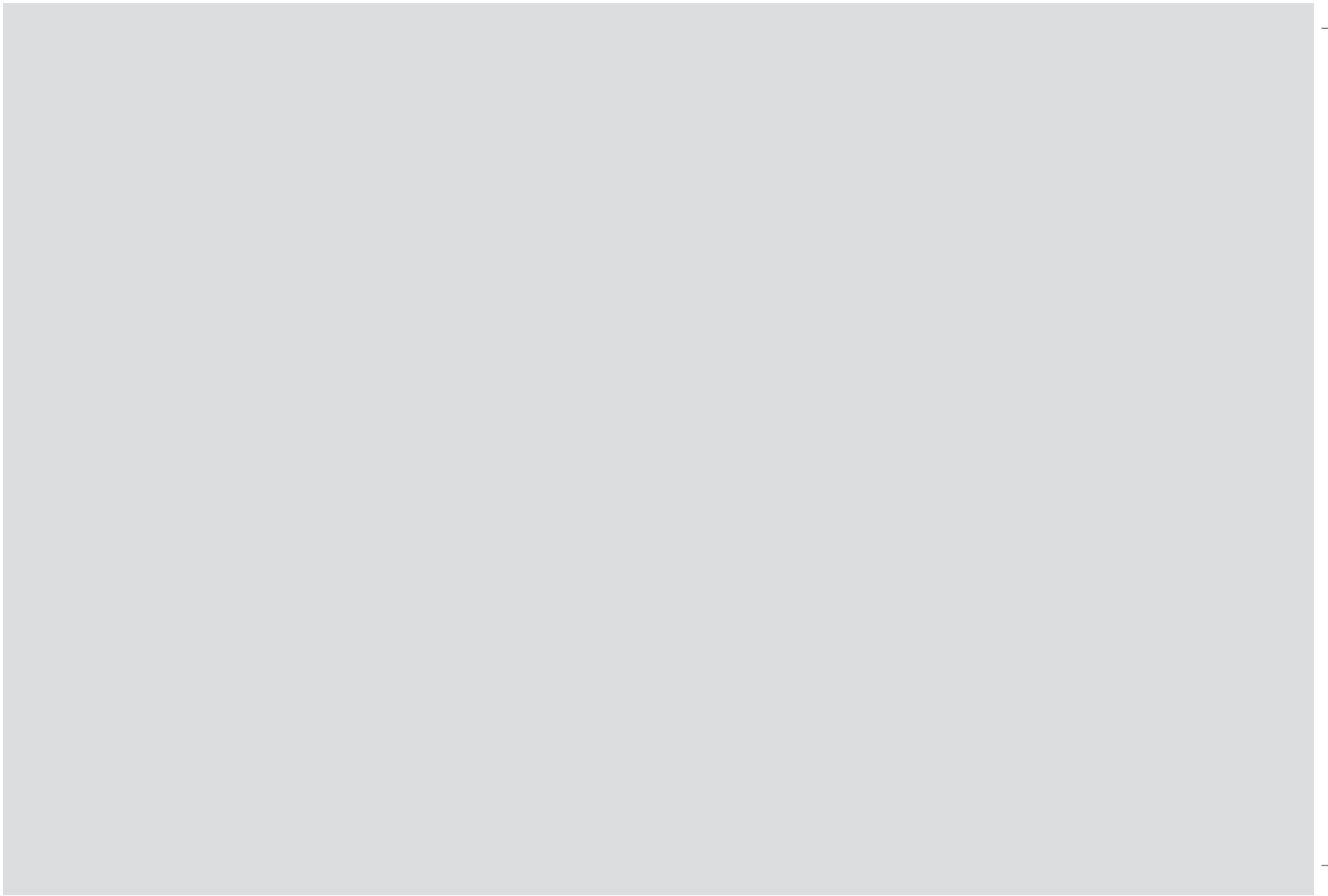


TABLE OF CONTENTS

SAFETY RULES	4	INSTALLING THE LED LIGHT KIT AND GLASS SHADE ASSEMBLY	15
TOOLS REQUIRED	5	CONTROL SYSTEM SET-UP	16
PACKAGE CONTENTS	5	BUTTON INSTRUCTION	17
MOUNTING OPTIONS	6	SENSORLESS DC CONTROL PAIRING PROCEDURES	18
HANGING THE FAN	7	INSTALLING THE WALL CONTROL SYSTEM WALL PLATE	19
INSTALLATION OF SAFETY SUPPORT	10	OPERATION INSTRUCTIONS	20
ELECTRICAL CONNECTIONS	11	TROUBLESHOOTING	21
FINISHING THE INSTALLATION	13	FCC INFORMATION	22
ATTACHING THE FAN BLADES	14		
INSTALLING THE LIGHT PLATE	14		

cULus Model: 300265/CP183212/65-GENT
Net Weight: 12.65KGS Gross Weight: 15.40KGS

SAFETY RULES

READ AND SAVE THESE INSTRUCTIONS

WARNING: FOR CANADA, THIS FAN MUST BE SECURED DIRECTLY TO THE BUILDING STRUCTURE / CEILING JOIST. DON'T SECURE THIS FAN TO AN OUTLET BOX.

1. **CAUTION - RISK OF SHOCK-**
Disconnect Power at the main circuit breaker panel or main fusebox before starting and during the installation.
2. **WARNING:** This fixture is intended for installation in accordance with the National Electrical Code (NEC) and all local code specifications. If you are not familiar with code requirements, installation by a certified electrician is recommended.
3. **WARNING:** To reduce the risk of fire, electric shock, or personal injury mount to an outlet box marked "Acceptable For Fan Support of up to 22.7 kg (50 lbs)". For outlet box mounting, use mounting screws provided with the outlet box. Most outlet boxes commonly used for the support of light fixtures are not acceptable for fan support and may need to be replaced. Due to the complexity of the installation of this fan, a qualified licensed electrician is strongly recommended.
4. All wiring must be in accordance with the National Electrical Code ANSI/NFPA 70 and local electrical codes. Electrical installation should be performed by a qualified licensed electrician.
5. The outlet box and support structure must be securely mounted and capable of reliably supporting a minimum of 50 pounds. Use only cULus Listed outlet boxes marked "FOR FAN SUPPORT".

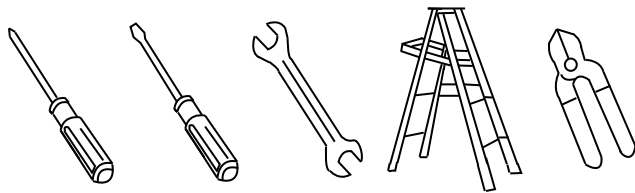
WARNING: TO REDUCE THE RISK OF FIRE, ELECTRIC SHOCK OR PERSONAL INJURY, MOUNT FAN TO OUTLET BOX MARKED "ACCEPTABLE FOR FAN SUPPORT".

6. **CAUTION:** The fan must be mounted with a minimum of 2.1 m (7 feet) clearance from the trailing edge of the blades to the floor.
7. To operate the reverse function on this fan, press the reverse button while the fan is running.
8. Avoid placing objects in the path of the blades.
9. To avoid personal injury or damage to the fan and other items, be cautious when working around or cleaning the fan.
10. **WARNING:** Make sure the power is disconnected before cleaning the fan.
11. Do not use water or detergents when cleaning the fan or fan blades. A dry dust cloth or lightly dampened cloth will be suitable for most cleaning.
12. After marking electrical connections, spliced conductors should be turned upward and pushed carefully up into outlet box. The wires should be spread apart with the grounded conductor and the equipment-grounding conductor on one side of the outlet box.
13. Electrical diagrams are reference only. Light Kits that are not packed with the fan must be cULus Listed and marked suitable for use with the model fan you are installing. Switches must be cULus General Use Switches. Refer to the Instructions packaged with the light kits and switches for proper assembly.
14. Suitable for damp location.
15. Use only with light kits marked suitable for damp location.
16. All set screws must be checked, and retightened where necessary, before installation.

WARNING: TO REDUCE THE RISK OF PERSONAL INJURY, DO NOT BEND THE BLADE BRACKETS (ALSO REFERRED TO AS FLANGES) DURING ASSEMBLY OR AFTER INSTALLATION. DO NOT INSERT OBJECTS IN THE PATH OF BLADES.

TOOLS REQUIRED

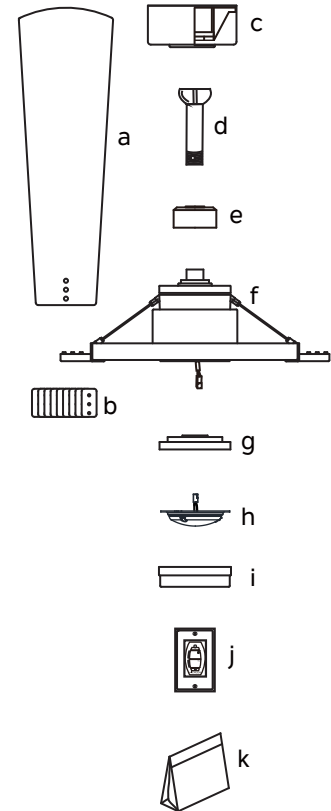
Philips screw driver
Blade screw driver
11 mm wrench
Step ladder
Wire cutters



PACKAGE CONTENTS

Unpack your fan and check the contents. You should have the following items:

- a. Fan blades (9)
 - b. Blade support plates (9)
 - c. Canopy & Ceiling mounting bracket
 - d. Ball/downrod assembly
 - e. Coupling cover
 - f. Fan motor assembly
 - g. Light plate
 - h. 14.5W LED light kit
 - i. Glass shade assembly
 - j. Wall Transmitter
 - k. Part bag contents
- 1) Mounting hardware:
star washers (2), wire nuts (3), machine screws (2), washers (2), screws (2)
 - 2) Blade attachment hardware:
screws (29)
 - 3) Safety cable hardware:
wood screw, lock washer, flat washer
 - 4) Balance Kit



MOUNTING OPTIONS

If there isn't an existing UL (cUL for Canadian Installation) listed mounting box, then read the following instructions. Disconnect the power by removing fuses or turning off circuit breakers.

Secure the outlet box directly to the building structure. Use appropriate fasteners and building materials. The outlet box and its support must be able to fully support the full weight of the fan (at least 50 lbs). Do not use plastic outlet boxes.

Figures 1, 2 and 3 are examples of different ways to mount the outlet box.

NOTE: If you are installing the ceiling fan on a sloped (vaulted) ceiling, you may need a longer downrod to maintain proper clearance between the tip of the blade and the ceiling. A minimum clearance of 12" is suggested for optimal operation.

NOTE: Depending on the location you have selected for installation, you may need to purchase and install a "Joist Hanger" for the support of the outlet box. Make sure the joist hanger you purchase has been designed for use with ceiling fans. (Fig. 4)

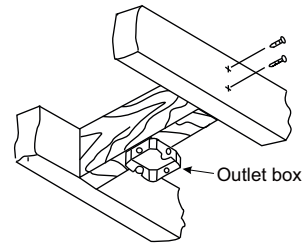


Fig. 1

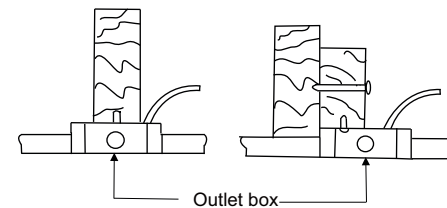


Fig. 2

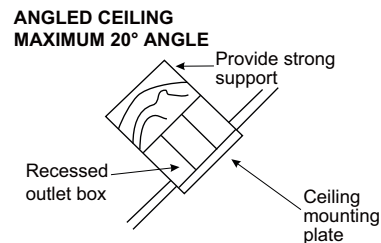


Fig. 3

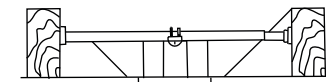


Fig. 4

HANGING THE FAN

NOTE: FOR CANADA, THIS FAN MUST BE SECURED DIRECTLY TO THE BUILDING STRUCTURE / CEILING JOIST. DON'T SECURE THIS FAN TO AN OUTLET BOX. (SEE Fig. 6A)

REMEMBER to turn off the power before you begin.

To properly install your ceiling fan, follow the steps below.

Step 1. Remove the decorative canopy bottom cover from the canopy by turning the cover counter clockwise. (Fig. 5)

Step 2. Remove the ceiling mounting bracket from the canopy by removing (and save one of the two screws). Loosen the remaining screw by a half turn. (Fig. 5)

Step 3. Pass the 120 volt supply wires from the ceiling outlet box through the center of the ceiling mounting bracket. (Fig. 6)

Step 4. Attach the ceiling mounting bracket to the outlet box using the screws and washers included with the outlet box. (Fig. 6)

Step 4A. Secure mounting bracket directly to a joist from the building structure. Use only the appropriate wood screws lock washers included with your fan. **(Fig. 7) NOTE: THIS STEP IS ONLY FOR CANADA.**

CAUTION! THE HANGER BRACKET MUST BE INSTALLED DIRECTLY TO THE BUILDING JOIST USING THE TWO WOOD SCREWS AND WASHERS PROVIDED. **(Fig. 7)**

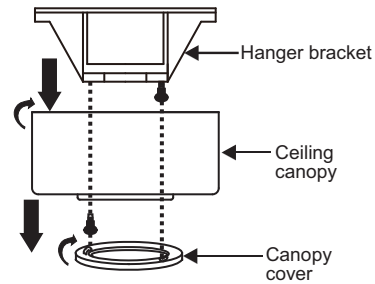


Fig. 5

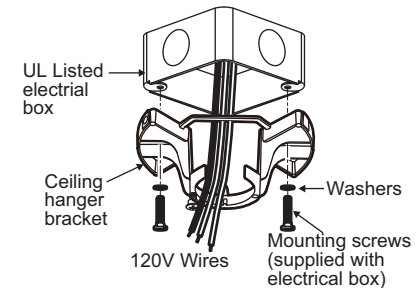


Fig. 6

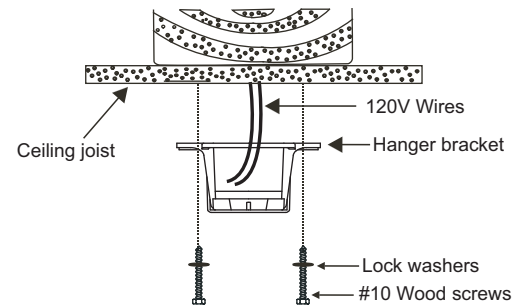


Fig. 7

HANGING THE FAN (continued)

Step 5. Remove the hanger ball from the downrod assembly by loosening the set screw, unscrewing and removing the cross pin and unscrewing the ball off the rod. (Fig. 8)

Step 6. Loosen the two set screws and remove the hitch pin and retaining clip from the coupling on top of the motor assembly. (Fig. 9)

Step 7. Carefully feed the electrical lead wires from the fan up through the downrod. Thread the downrod into the coupling until the Hitch pin holes are aligned.

Next, replace the hitch pin and retaining clip. Tighten both set screws. (Fig. 9)

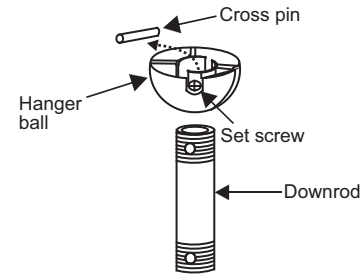


Fig. 8

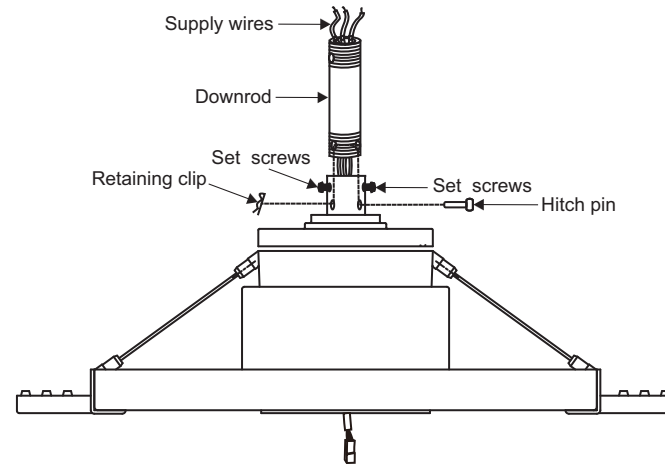


Fig. 9

HANGING THE FAN (continued)

Step 8. Slip the coupling cover, canopy cover and canopy onto the downrod. (Fig. 10)

Thread the hanger ball onto the downrod, insert the cross pin through the downrod and tighten. Tighten the set screw.

Step 9. Lift the motor assembly into position and place the hanger ball into the ceiling mounting bracket.

Rotate the entire assembly until the "Check Tab" has dropped into the "Registration Slot" and seats firmly. (Fig. 11)

The entire motor assembly should not rotate (left or right) when seated properly.

WARNING: Failure to reattach the cross pin and seat the "Check Tab" can cause the fan to fall from the ceiling during operation. Take special care to make sure this pin is reattached.

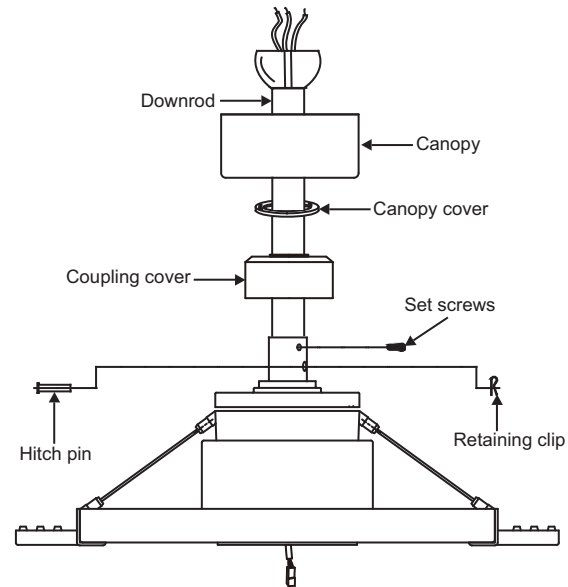


Fig. 10

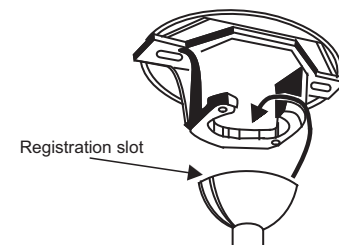


Fig. 11

INSTALLATION OF SAFETY SUPPORT

A safety support cable is provided to help prevent the ceiling fan from falling.

Step 1. Attach the provided wood screw and washers to the ceiling joist next to the mounting bracket but do not tighten. (Fig. 12)

Step 2. Adjust the length of the safety cable to reach the screw and washers by pulling the extra cable through the cable clamp until the overall length is correct, put the end of the cable back through the cable clamp, forming a loop at the end of the cable. Tighten the cable clamp securely. Now, put the loop in the end of the safety cable over the wood screw and under the washer. Tighten the wood screw securely.

NOTE: Although the safety support cable is required for Canadian installations only. It's a good idea to make the attachment with any installation.

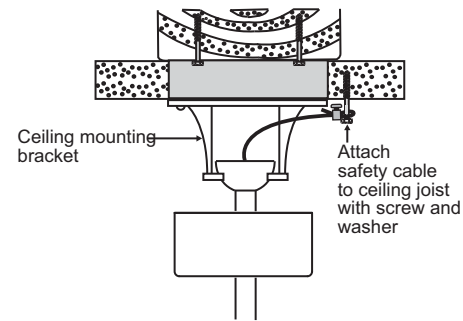


Fig. 12

ELECTRICAL CONNECTIONS

WARNING: Carefully read and retain this Instruction Manual for future reference.

WARNING: To avoid possible electrical shock, be sure the electricity is turned off at the main panel by removing the fuse or opening the circuit breaker.

WARNING: This control is designed for use with "DC Motor Ceiling Fans" ONLY. DO NOT use with any other type of electrical appliance.

WARNING: All wiring must conform to national and local electrical codes. If you feel you do not have enough electrical knowledge, have a licensed electrician install the control.

Make each of the wire connections illustrated in Figure 13. Secure each with the wire nuts provided. (Fig. 13)

A. Fan wire connection

Step 1. Black wire from the fan (motor) to the Black wire from the Wall Control's. (Fig. 13)

Step 2. White wire from the fan (motor) to the White (neutral) wire from the Household Supply. (Fig. 13)

Step 3. If your ceiling outlet box has a ground wire (green or bare copper) connect it to the ground wire from the ceiling fan and/or the ceiling mounting bracket. (Fig. 13)

B. Wall control wire connection

Step 1. Black wire (TO MOTOR L) from the Wall Control to the Black wire from the Wall Outlet Box. (Fig. 13)

Step 2. Black wire (AC IN L) from the Wall Control to the Black wire from the Wall Outlet Box. (Fig. 13)

Step 3. If your wall outlet box has a ground wire (green or bare copper), connect the wall control's yellow/green ground wire to it; otherwise connect the wall control's yellow/green ground wire directly to one of the screws from the wall outlet box. (Fig. 13)

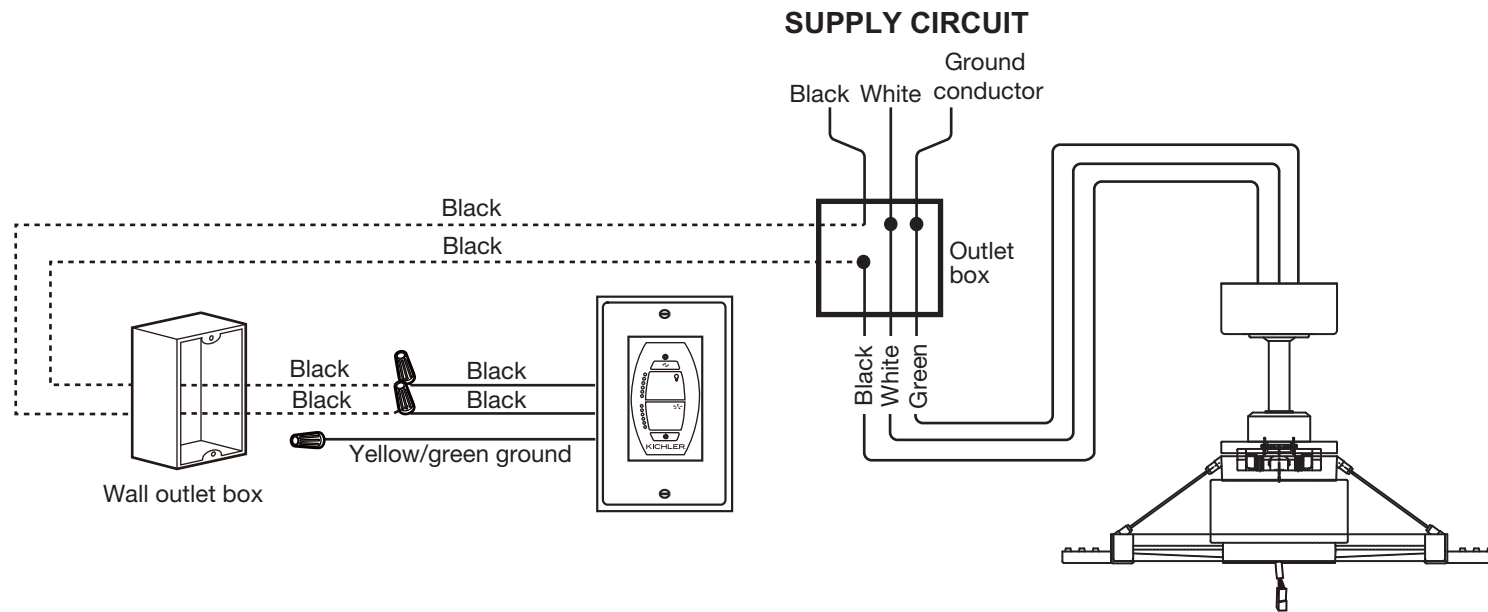


Fig. 13

FINISHING THE INSTALLATION

Step 1. Tuck all the connections neatly into the ceiling outlet box.

Step 2. Slide the canopy up to the mounting bracket and place one of the key hole slots over the mounting screw on the mounting bracket. Rotate the canopy until the screw head locks in place at the narrow section of the key hole. See figure 14.

Step 3. Align the remaining circular hole on the canopy with the remaining hole on the Ceiling Mounting Bracket. Insert and tighten the mounting screw you removed earlier and the mounting screw from Step 2 above. Now, attach the canopy cover to the mounting screw heads by inserting the screw heads into the bottom side of the canopy cover and rotating the cover clockwise.

NOTE: Adjust the canopy screws as necessary until the canopy and canopy cover are snug. (Fig. 14)

WARNING: Make sure the "Check Tab" at the bottom of the hanger bracket is properly seated in the "Registration Slot" on the side of the hanger ball before attaching the canopy to the bracket. Failure to properly seat the "Check Tab" could damage the electrical wires when to ceiling fan blade direction is changed while the fan is running.

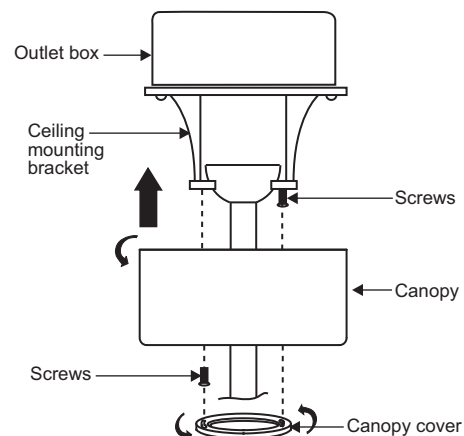
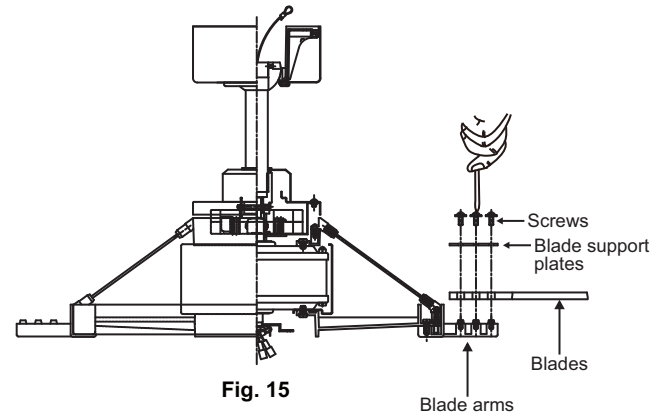


Fig. 14

ATTACHING THE FAN BLADES

Step 1. Align the holes from the blade and blade support plate to the holes from the blade arms, and secure the blade in place with screws provided. (Fig. 15)

Step 2. Repeat this process to attach the other two blades.



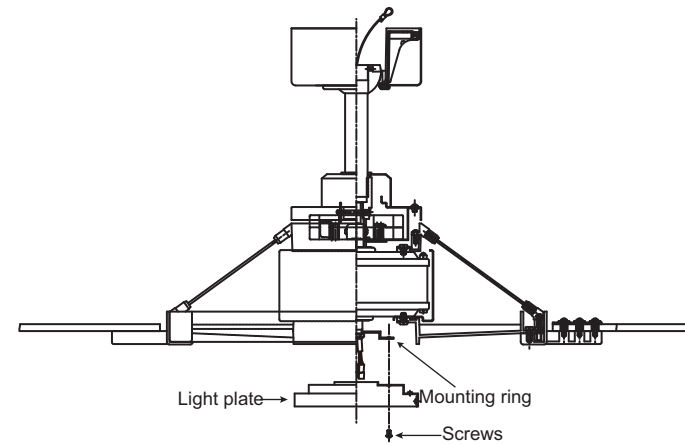
INSTALLING THE LIGHT PLATE

Step 1. Loosen the two screws on the mounting ring attached to the motor shaft and "remove" and save the third screw. (Fig. 16)

Step 2. Place the key hole slots on the light plate over the two screws previously loosened on the mounting ring.

Turn the light plate until it locks in place at the narrow section of the key hole slots.

Tighten both key hole screws and replace the third screw previously removed and tighten securely.



INSTALLING THE LED LIGHT KIT AND GLASS SHADE ASSEMBLY

NOTE: Before starting installation, disconnect the power by turning off the circuit breaker or removing the fuse at fuse box.

Step 1. Loosen the three mounting screws on the inside of the LED light kit. (Fig.17)

Step 2. While holding the LED light kit under the fan motor, make the wire connections: (Fig. 17)

- White to white
- Black to black

Step 3. Tuck the connections neatly into the light plate. Place the key holes on the LED light kit over the 2 screws previously loosened from the light plate, turn the LED light kit until it locks in place at the narrow section of the key holes. Secure by tightening all three screws. (Fig.17)

Step 4. Raise the glass shade against the light plate and Secure by tightening all three screws. (Fig. 18)

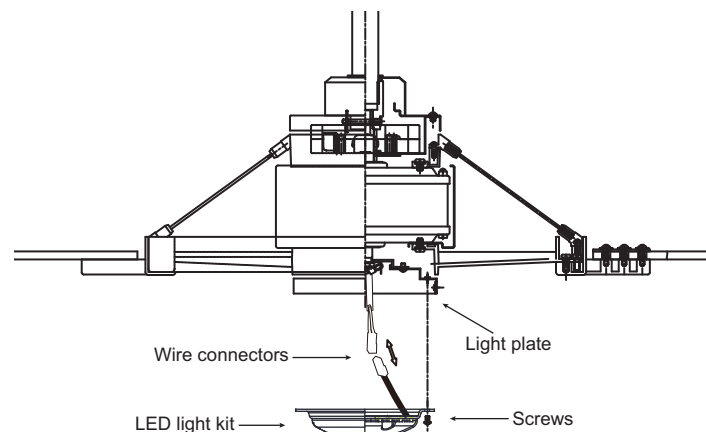


Fig. 17

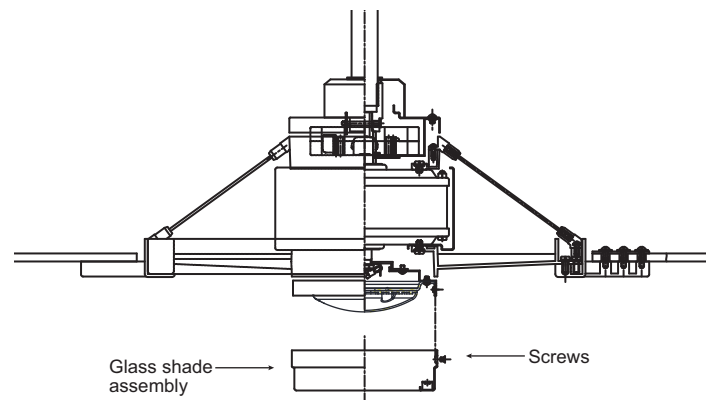


Fig. 18

CONTROL SYSTEM SET-UP

IMPORTANT: Ceiling fan blades MUST be installed before pairing procedure can begin.

Program the wall control and/or the handset control separately. Once the following pairing is successfully done, both the wall control and the handset control can be used for the fan.

Press the power button on wall control to TURN THE POWER ON. The LED lights on the wall control will blink thru the power up process, approximately 3 seconds.

Press the "⏻" power button to turn off the wall control (the button will be up). Restore electricity to the ceiling fan branch circuit at the circuit breaker or fuse box. Within 60 seconds of turning on the power, press the "⏻" power button to turn on the wall control (the button will be down), and then press the "↺" reverse button for 3 to 5 seconds. Light will blink twice. The remote will now be programmed to your fan and ready for use.

IMPORTANT: Do not interrupt the conditioning until the fan comes to a complete stop in approximately 5 minutes. All functions of the control will be rejected during conditioning.

Try different speed setting on both the wall control and the handset control to ensure the fan is now fully functional. If programming is unsuccessful, retry the process starting from step 1 again.

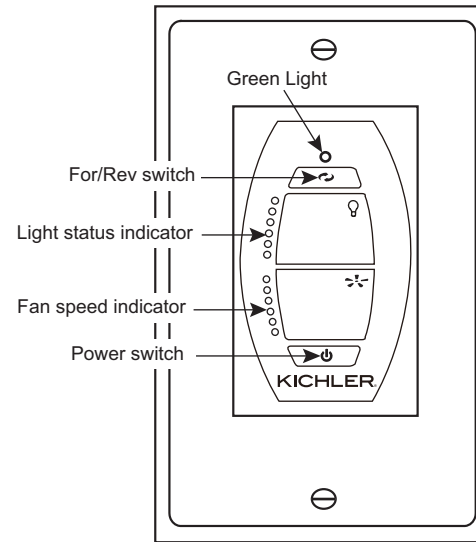



Fig. 19

BUTTON INSTRUCTION

LED Indicator Red LED: Transmitter signal indicator. When RF signal is sending, the red light will illuminate.

Green LED: To show the Forward and Reverse indicator.

ON/OFF button "  "

ON: Turn on the power.

OFF: Turn off the power.

Reverse button "  "

When the fan is running, press and release the Reverse button one time, the fan will change operating direction.

Downflow: Green indicator LED will be off.

Reverse: Green indicator LED will be on.

Light button "  "

Press and release the Light button for light ON/OFF control.

Light indicator LEDs will show current light status. If the light kit is OFF, the Light indicator LEDs are also all off. Press AND HOLD the light button for more than 1 second and the light kit will begin dimming. Light indicator LED will show the change in light level status. The light level cycles from bright to dim and back to bright when the light button is held.

Fan control "  "

Press and release the Fan speed button for Fan ON/OFF control.

Fan indicator LED will illustrate the current fan speed. If the fan is OFF, the fan speed indicator LEDs will also be OFF.

Press and hold Fans speed button for more than 1second to begin adjusting the fan speeds.

The indicator LEDs will shows the current speed level. The fan speed adjustments adjust in a repeat cycle when the speed button is held down. The speeds adjust from High to Low, then back up to High.

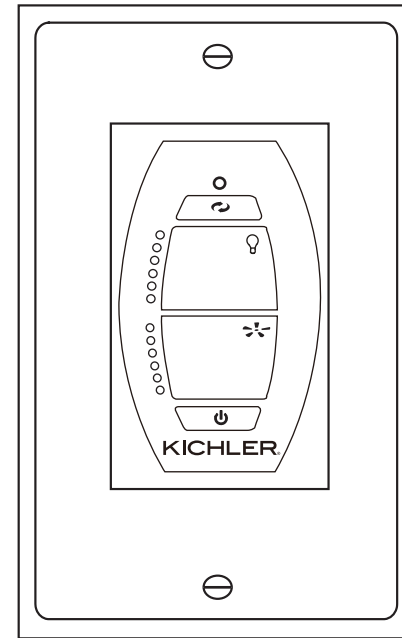






Fig. 20

SENSORLESS DC CONTROL PAIRING PROCEDURES

IMPORTANT: Ceiling fan blades **MUST** be installed before pairing procedure can begin.

Step 1. Program the wall control and/or the handset control separately. Once the following pairing is successfully done, both the wall control and the handset control can be used for the fan.

For wall control, press the “” power button to turn off the wall control (the button will be up). Restore electricity to the ceiling fan branch circuit at the circuit breaker or fuse box. Within 60 seconds of turning on the power, press the “” power button to turn on the wall control (the button will be down), and then press the “” reverse button for 3 to 5 seconds. Light will blink twice. The remote will now be programmed to your fan and ready for use.

For handset control, restore electricity to the ceiling fan branch circuit at the circuit breaker or fuse box. Within 60 seconds of turning on the power, press “” power button for 3 to 5 seconds. Light will blink twice. The remote will now be programmed to your fan and ready for use.

IMPORTANT: Do not interrupt the conditioning until the fan comes to a complete stop in approximately 5 minutes. All functions of the control will be rejected during conditioning.

Step 2. Try different speed setting on both the wall control and the handset control to ensure the fan is now fully functional. If programming is unsuccessful, retry the process starting from step 1 again.

INSTALLING THE WALL CONTROL SYSTEM WALL PLATE

Select a location to install the Wall Control System Transmitter and Wall Plate.

REMEMBER also this should state that the control is not to be mounted outdoors. You can safely use the transmitter outdoors but it should be mounted indoors away from excess heat and away from contact with water or humidity.

Install the wall plate using an existing wall switch outlet box. Make sure the electrical power is **TURNED OFF** at the main panel before continuing.

If your ceiling outlet box has a ground wire (green or bare copper) connect it to the ground wire from the wall switch and/or the ceiling mounting bracket and push back inside the outlet box.

Install the wall plate on the existing wall outlet box using the screws provided. (Fig. 21)

After installing the wall anchors, attached the wall plate with the mounting screws to finish the installation.

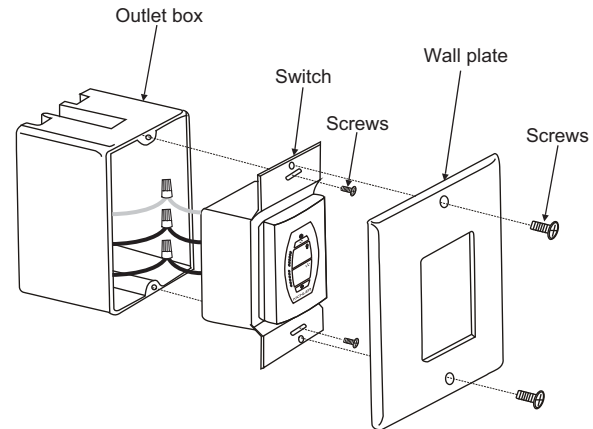


Fig. 21

OPERATING INSTRUCTIONS

Warm weather - Forward (counter clockwise) A downward airflow creates a cooling effect as shown in Fig. 22. This allows you to set your air conditioner on a warmer setting without affecting your comfort.

Cool weather - Reverse (clockwise) An upward airflow moves warm air off the ceiling area as shown in Fig. 23. This allows you to set your heating unit on a cooler setting without affecting your comfort.

NOTE: To change the airflow direction of your ceiling fan use the FOR/REV button on the wall control transmitter.

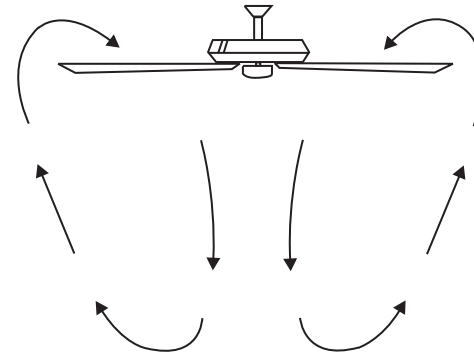


Fig. 22

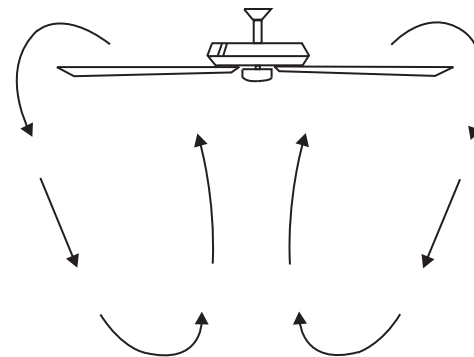


Fig. 23

TROUBLESHOOTING

Problem	Solution
Fan will not start.	<ol style="list-style-type: none">1. Check circuit fuses or breakers.2. Check all electrical connections to ensure proper contact. <p>CAUTION: Make sure the main power is OFF when checking any electrical connection.</p>
Fan sounds noisy.	<ol style="list-style-type: none">1. Make sure all motor housing screws are snug.2. Make sure the screws that attach the fan blade brackets to the motor are tight.3. Make sure wire nut connections are not rubbing against each other or the interior wall of the switch housing. <p>CAUTION: Make sure main power is off.</p> <ol style="list-style-type: none">4. Allow a 24-hour "breaking-in" period. Most noises associated with a new fan disappear during this time.5. If using an optional light kit, make sure the screws securing the glassware are tight. Make sure the light bulbs are not touching any other component.6. Do not connect this fan to wall mounted variable speed control(s). they are not compatible with ceiling fan motors or remote controls.7. Make sure the upper canopy is a short distance from the ceiling. It should not touch the ceiling.
Fan wobble.	<ol style="list-style-type: none">1. Check that all blade and blade arm screws are secure.2. Most fan wobbling problems are caused when blade levels are unequal. Check this level by selecting a point on the ceiling above the tip of one of the blades. Measure this distance. Rotate the fan until the next blade is positioned for measurement. Repeat for each blade. The distance deviation should be equal within 1/8".3. If the blade wobble is still noticeable, interchanging two adjacent (side by side) blades can redistribute the weight and possibly result in smoother operation.
Remote control malfunction.	<ol style="list-style-type: none">1. Ceiling Fans with remote control systems CAN NOT be operated in conjunction with any other control system EXCEPT a basic On/Off wall switch, if desired.

FCC INFORMATION

This device complies with part 15 of the FCC Rules. Operation is subject to the following two conditions:

- 1) This device may not cause harmful interference, and
- 2) This device must accept any interference received, including interference that may cause undesired operation.

Note: This equipment has been tested and found to comply with the limits for a Class B digital device, pursuant to part 15 of the FCC Rules. These limits are designed to provide reasonable protection against harmful interference in a residential installation. This equipment generates, uses and can radiate radio frequency energy and, if not installed and used in accordance with the instructions, may cause harmful interference to radio communications. However, there is no guarantee that interference will not occur in a particular installation. If this equipment does cause harmful interference to radio or television reception, which can be determined by turning the equipment off and on, the user is encouraged to try to correct the interference by one or more of the following measures:

- Reorient or relocate the receiving antenna.
- Increase the separation between the equipment and receiver.
- Connect the equipment into an outlet on a circuit different from that to which the receiver is connected.
- Consult the dealer or an experienced radio/TV technician for help.

KICHLER®

www.kichler.com

KICHLER LIGHTING LLC
7711 EAST PLEASANT VALLEY ROAD
CLEVELAND, OHIO 44131

CUSTOMER SERVICE 866.558.5706
8:00 AM TO 5:00 PM EST, MONDAY - FRIDAY

KICHLER®

GENTRY 165 CM

Les illustrations du produit peuvent différer légèrement du produit actuel.



MANUEL D'INSTRUCTIONS

REV 1-JUN-2021

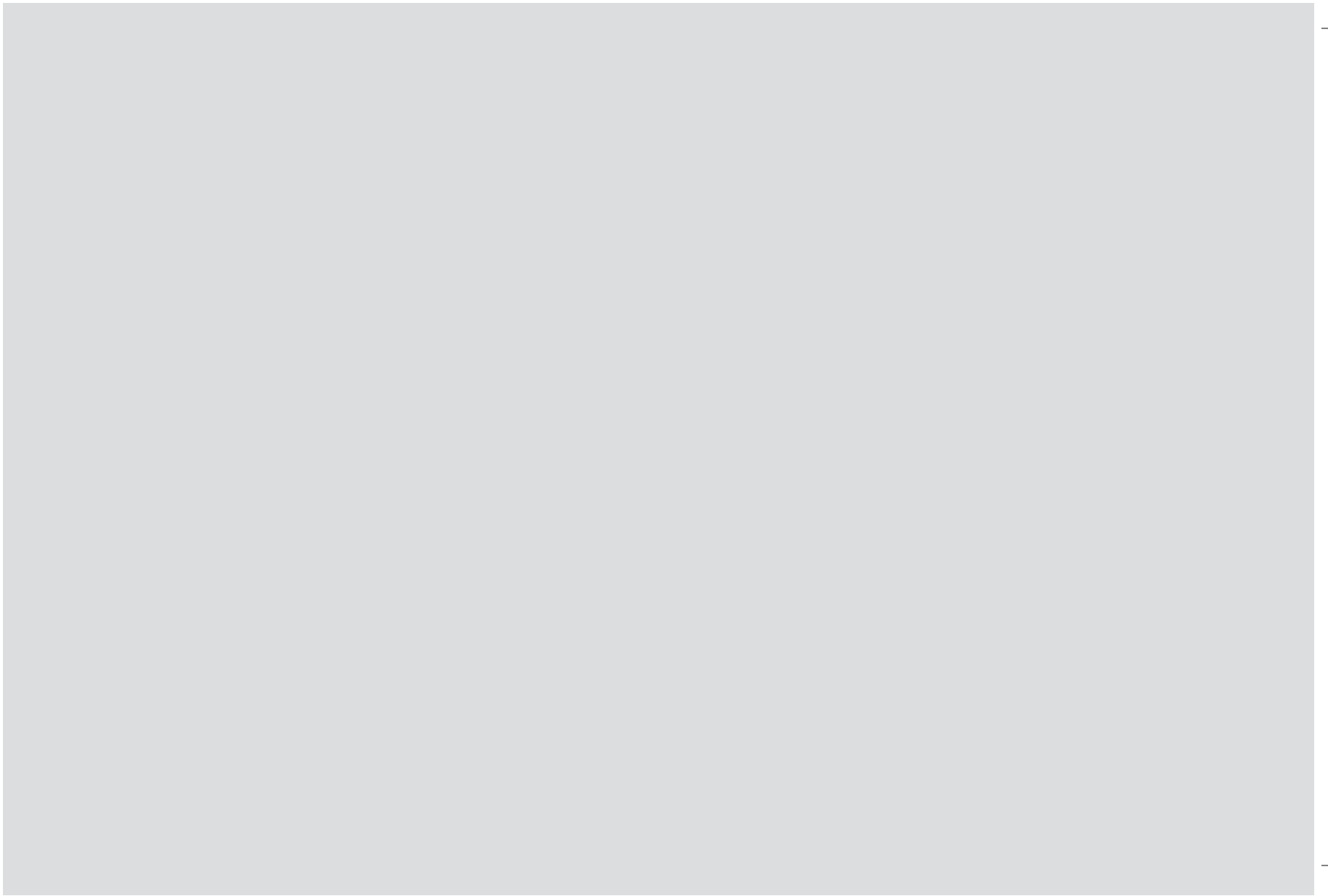


TABLE DES MATIERES

CONSIGNES DE SÉCURITÉ.....	4
OUTILLAGE REQUIS.....	5
CONTENU DE L'EMBALLAGE.....	5
OPTIONS DE MONTAGE.....	6
SUSPENSION DU VENTILATEUR.....	7
INSTALLATION DU SUPPORT DE SÉCURITÉ.....	10
CONNEXIONS ÉLECTRIQUES.....	11
DERNIÈRES ÉTAPES DE L'INSTALLATION.....	13
FIXATION DES PALES DU VENTILATEUR.....	14
INSTALLATION DE LA PLAQUE D'ÉCLAIRAGE.....	14

INSTALLATION DU KIT D'ÉCLAIRAGE À LED ET DU CACHE EN VERRE	15
RÉGLAGE DU SYSTÈME DE COMMANDE.....	16
INSTRUCTION SUR LES BOUTONS.....	17
PROCÉDURES DE JUMELAGE CC SANS CAPTEUR.....	18
INSTALLATION DE LA COMMANDE MURALE INSTALLATION DE LA PLAQUE MURALE.....	19
NOTICES D'UTILISATION.....	20
DÉPANNAGE.....	21
2† † ;Q2W&P o;WQ.....	22

Modèle cULus : 300265/CP183212/65-GENT
Poids Net : 12,65 KGS Poids Brut : 15,40 KGS

RÈGLES DE SÉCURITÉ

LIRE ET CONSERVER CES INSTRUCTIONS

AVERTISSEMENT : POUR LE CANADA : LE VENTILATEUR DOIT ÊTRE FIXÉ DIRECTEMENT À LA STRUCTURE DU BÂTIMENT/SOLIVE DE PLAFOND. NE PAS FIXER LE VENTILATEUR SUR UNE BOÎTE À PRISES.

1. **ATTENTION - RISQUE DE CHOC ÉLECTRIQUE -**
Coupez le courant au panneau à disjoncteurs principal ou à la boîte à fusibles principale avant d'entamer et pendant l'installation.
2. **AVERTISSEMENT :** Cet appareil est conçu pour une installation conformément au code national de l'électricité (NEC), ainsi qu'à toutes les exigences des codes locaux. Si vous n'êtes pas au courant des exigences en matière de code, nous recommandons une installation par un électricien accrédité.
3. **AVERTISSEMENT :** Pour réduire les risques d'incendie, de choc électrique, une boîte de sortie ou de montage lésions corporelles portant la mention « acceptable pour le ventilateur Supporte jusqu'à 22,7 kg (50 lb) ». Pour une installation sur une boîte de sortie de courant, utilisez les vis de montage fournies avec la boîte de sortie de courant. La plupart des boîtes à prises utilisées actuellement pour supporter les luminaires ne sont pas capable de supporter un ventilateur et leur remplacement peut s'avérer nécessaire. En raison de la complexité de l'installation de ce ventilateur, il est fortement recommandé de confier la tâche à un électricien qualifié.
4. Le câblage doit être installé conformément au code national d'électricité américain (NEC), ANSI/NFPA 70 et codes électriques locaux. L'installation électrique doit être exécutée par un électricien agréé qualifié.
5. La boîte de sortie de courant et la structure de support doivent être solidement fixées et capables de supporter un minimum de 22,7 kg de façon sûre. Utilisez uniquement des boîtes de sortie de courant homologuées cULus et portant la mention « POUR LE SUPPORT D'UN VENTILATEUR ».

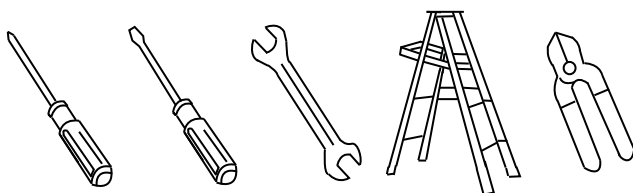
AVERTISSEMENT : AFIN DE RÉDUIRE LES RISQUES D'INCENDIE, DE CHOC ÉLECTRIQUE OU DE BLESSURE CORPORELLE, INSTALLEZ LE VENTILATEUR SUR UNE BOÎTE DE SORTIE DE COURANT PORTANT LA MENTION « CAPABLE DE SUPPORTER UN VENTILATEUR ».

6. **ATTENTION :** Le ventilateur doit être installé avec une distance minimale de 2,1 m entre le bord de fuite des pales et le sol.
7. Pour utiliser la fonction inverse sur ce ventilateur, appuyez sur le bouton de marche arrière pendant que le ventilateur est en marche.
8. Ne placez pas d'objets dans la trajectoire des pales.
9. Pour éviter les blessures corporelles ou les dommages au ventilateur ou d'autres objets, faites preuve de prudence en travaillant près du ventilateur ou en le nettoyant.
10. **AVERTISSEMENT :** Assurez-vous que l'alimentation est coupée avant de nettoyer le ventilateur.
11. N'utilisez ni eau ni détergents pour nettoyer le ventilateur ou les pales du ventilateur. Un chiffon à poussière sec ou un linge légèrement humide conviennent en général pour le nettoyage et le conducteur non mis à la terre de l'autre côté de la boîte de sortie.
12. Après avoir effectué les branchements électriques, retournez les conducteurs épaissés vers le haut et insérez-les soigneusement dans la boîte de sortie de courant. Les fils doivent être écartés de façon à ce que le conducteur mis à la terre et le conducteur de mise à la terre de l'équipement soient du même côté de la boîte de sortie de courant.
13. Les schémas électriques sont fournis à titre indicatif seulement. Les luminaires qui ne sont pas emballés avec le ventilateur doivent être homologués cULus et porter une mention spécifiant qu'ils peuvent être utilisés avec ce modèle de ventilateur. Les interrupteurs doivent être homologués cULus pour usage général. Consultez les instructions fournies avec les luminaires et les interrupteurs pour un assemblage approprié.
14. Convient pour les endroits humides.
15. Utilisez uniquement avec des kits d'éclairage marqués adaptés à un endroit humide.
16. Toutes les vis de réglage doivent être vérifiées et resserrées si nécessaire avant l'installation.

AVERTISSEMENT : AFIN DE RÉDUIRE LES RISQUES DE BLESSURE CORPORELLE, NE PLIEZ PAS LES SUPPORTS DE PALE (AUSSI APPELÉS BRIDES) PENDANT L'ASSEMBLAGE OU APRÈS L'INSTALLATION. NE PLACEZ PAS D'OBJETS DANS LA TRAJECTOIRE DES PALES.

OUTILLAGE REQUIS

Tournevis Philips
Tournevis plat
Clé de 11 mm
Marche-pieds
Coupe-fil



CONTENU DE L'EMBALLAGE

Déballez votre ventilateur et vérifiez le contenu. Vous devriez disposer des éléments suivants :

- a. Lames de ventilateur (9)
- b. Plaques de support de pale (9)
- c. Cache et support de montage au plafond
- d. Ensemble boule/tige
- e. Capot d'accouplement
- f. Groupe moteur ventilateur
- g. Plaque d'éclairage
- h. Kit d'éclairage à LED 14.5W
- i. Cache en verre
- j. Émetteur mural
- k. Contenu du sac de pièces

1) Matériel de montage :

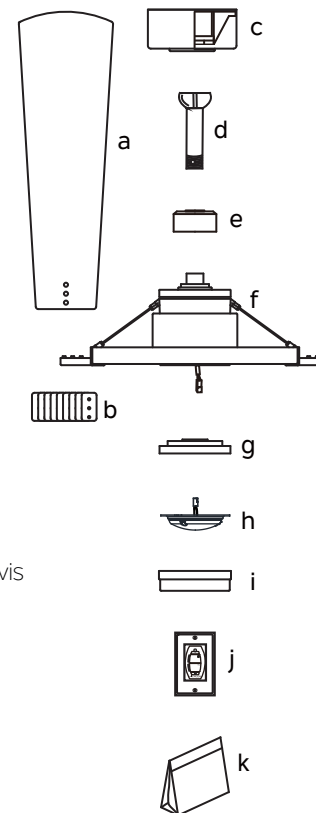
rondelles éventail (2) et serre-fils (3), vis mécaniques (2), rondelles (2), vis (2)

2) Matériel de fixation des pales :

vis (29)

3) Matériel pour câbles de sécurité : vis à bois, rondelle de blocage, rondelle plate

4) Kit d'équilibrage



OPTIONS DE MONTAGE

En l'absence d'une boîte de montage homologuée UL (cUL pour les installations canadiennes), prendre connaissance des instructions suivantes. Débrancher l'alimentation en retirant les fusibles ou en déclenchant les disjoncteurs.

Fixer la boîte à prises directement sur la structure du bâtiment. Utiliser des attaches et des matériaux de construction appropriés. La boîte à prises et son support doivent être en mesure de supporter pleinement le poids du ventilateur (au moins 22 kg). Ne pas utiliser de boîtes à prises en plastique.

Les figures 1, 2 et 3 sont des exemples illustrant les différents montages possibles de la boîte à prises.

REMARQUE : Si vous installez le ventilateur de plafond sur un plafond voûté, vous pouvez avoir besoin d'une tige de suspension plus longue pour maintenir un dégagement approprié entre la pointe de la pale et le plafond. Un espace minimum de 30 cm est recommandé pour un fonctionnement optimal.

REMARQUE : Selon l'emplacement sélectionné pour l'installation, il peut s'avérer nécessaire d'acheter et d'installer un étrier à solive pour soutenir la boîte à prises. S'assurer que l'étrier à solive a été conçu pour une utilisation avec des ventilateurs de plafond. (Fig. 4)

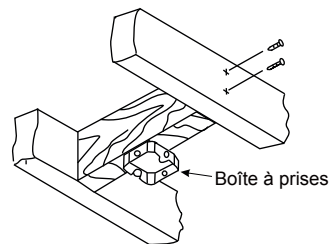


Fig. 1

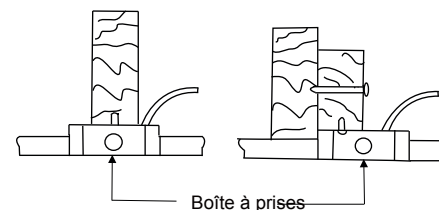


Fig. 2

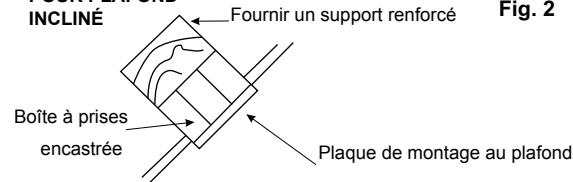
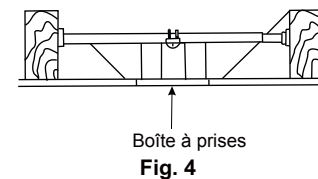


Fig. 3



SUSPENSION DU VENTILATEUR

REMARQUE : POUR LE CANADA : LE VENTILATEUR DOIT ÊTRE FIXÉ DIRECTEMENT À LA STRUCTURE DU BÂTIMENT/SOLIVE DE PLAFOND. NE PAS FIXER LE VENTILATEUR SUR UNE BOÎTE À PRISES. (Voir la Fig. 6A).

TOUJOURS couper l'alimentation avant de procéder à l'installation.

Pour installer correctement votre ventilateur de plafond, procéder comme suit.

Étape 1. Retirez le couvercle du fond du cache décoratif en le tournant dans le sens antihoraire. (Fig. 5)

Étape 2. Retirez le support de montage au plafond du cache en enlevant (mais en la conservant pour la suite) l'une des deux vis. Desserrez la vis restante d'un demi-tour. (Fig. 5)

Étape 3. Faites passer les fils 120 V d'alimentation de la boîte à prises du plafond par le centre du support de montage au plafond. (Fig. 6)

Étape 4. Fixez le support de montage au plafond à la boîte à prises en utilisant les vis et les rondelles fournies avec la boîte à prises. (Fig. 6)

Étape 4A. Fixez le support de montage directement sur une solive de la structure du bâtiment. Utilisez uniquement les vis à bois et les rondelles de blocage fournies avec le ventilateur. **(Fig. 7) REMARQUE : CETTE ÉTAPE NE CONCERNE QUE LES INSTALLATIONS AU CANADA.**

MISE EN GARDE ! LE SUPPORT DE SUSPENSION DOIT ÊTRE INSTALLÉ DIRECTEMENT SUR LA SOLIVE DU BÂTIMENT AVEC LES DEUX VIS À BOIS ET LES RONDELLES FOURNIES. **(Fig. 7)**

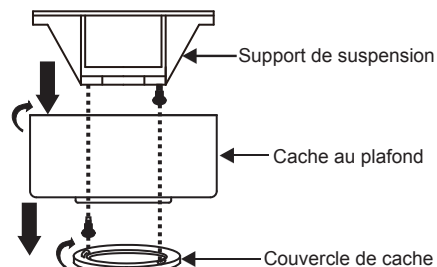


Fig. 5

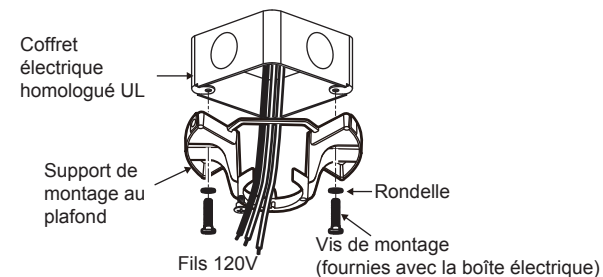


Fig. 6

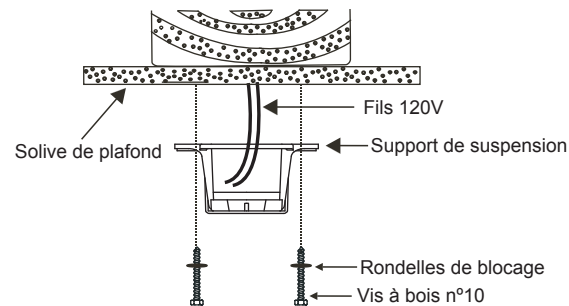


Fig. 7

SUSPENSION DU VENTILATEUR (suite)

Étape 5. Retirez la boule de suspension de la tige de suspension en desserrant la vis, en dégageant la tige transversale et en dévissant la balle de la tige. (Fig. 8)

Étape 6. Desserrez les deux vis de pression et enlevez la goupille ainsi que le clip de fixation de l'accouplement sur le dessus du moteur. (Fig. 9)

Étape 7. Acheminez soigneusement les fils conducteurs électriques depuis le ventilateur vers le haut par la tige de suspension. Installez la tige de suspension dans l'accouplement jusqu'à ce que les trous de goupille soient alignés.

Remplacez ensuite la goupille et le clip de fixation. Serrez les deux vis de pression. (Fig. 9)

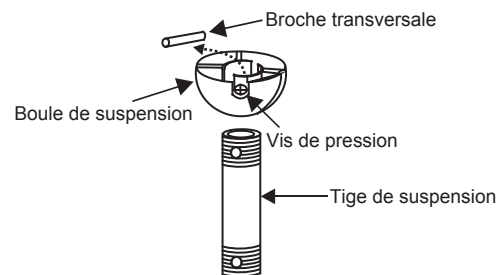


Fig. 8

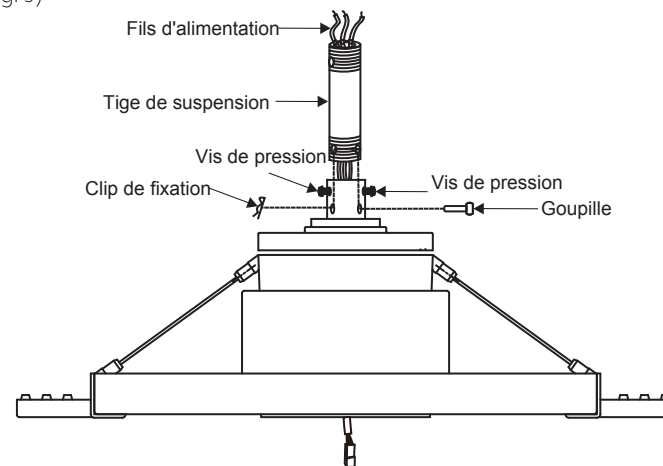


Fig. 9

SUSPENSION DU VENTILATEUR

(continued)

Étape 8. Faites glisser le couvercle d'accouplement, le couvercle du cache et le cache sur la tige de suspension. (Fig. 10)

Placez la balle de suspension sur la tige de suspension, insérez la broche transversale dans la tige de suspension et serrez.

Serrez les vis de pression.

Étape 9. Soulevez le moteur en position et placez la boule de suspension dans le support de montage au plafond.

Tournez l'ensemble jusqu'à ce que Check Tab se trouve dans Registration Slot et qu'il soit fermement logé. (Fig. 11)

Le moteur entier ne doit pas tourner (à gauche ou à droite) lorsque l'installation est bien logée.

AVERTISSEMENT: Toujours fixer à nouveau la goupille et placer le "Check Tab" correctement sous risque de faire tomber le ventilateur du plafond pendant le fonctionnement. Prendre toutes les précautions nécessaires pour s'assurer que cette broche est remise en place.

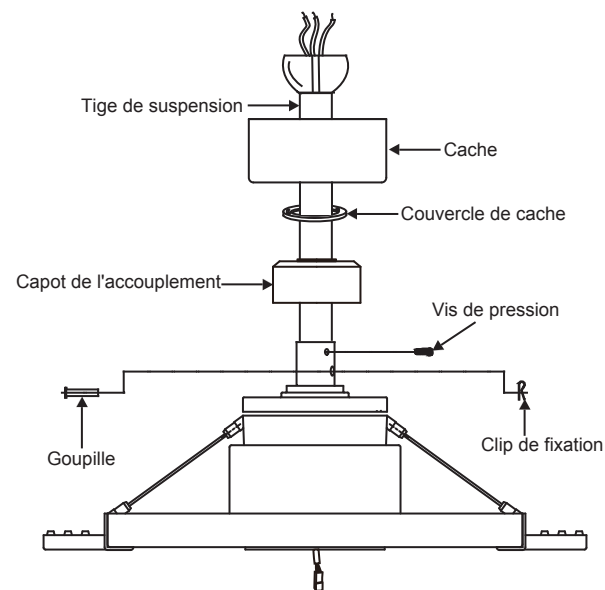


Fig. 10

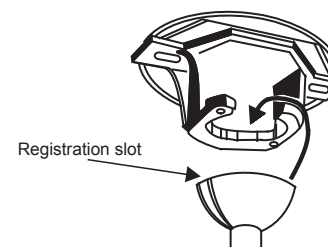


Fig. 11

INSTALLATION DU SUPPORT DE SÉCURITÉ

Le câble de support de sécurité qui est fourni pour empêcher la chute du ventilateur.

Étape 1. Fixez la vis de bois et les rondelles fournies à la solive du plafond à côté du support de montage sans serrer. (Fig. 12)

Étape 2. Ajustez la longueur du câble de sécurité pour atteindre la vis et les rondelles en tirant l'excès de câble à travers le serre-câble jusqu'à ce que la longueur totale soit correcte. Placez l'embout du câble à travers le serre-câble en formant une boucle à l'extrémité du câble. Serrez bien le serre-câble. Mettez maintenant la boucle à l'extrémité du câble de sécurité au-dessus de la vis à bois et sous la rondelle. Serrez bien la vis à bois.

REMARQUE : Bien que le câble de support de sécurité ne soit requis que pour les installations canadiennes, il est recommandé d'effectuer la fixation à toute installation.

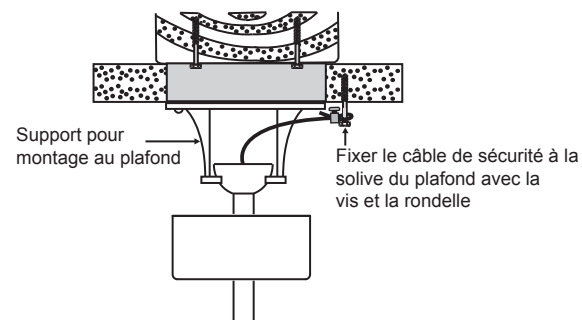


Fig. 12

CONNEXIONS ELECTRIQUES

AVERTISSEMENT : Lire avec attention et conserver ce manuel d'instructions pour toute référence future.

AVERTISSEMENT : Pour éviter tout choc électrique, s'assurer que l'électricité est coupée au niveau du panneau du secteur en retirant un fusible ou en déclenchant le disjoncteur.

AVERTISSEMENT : Cette commande a été conçue pour être utilisée UNIQUEMENT avec les "ventilateurs au plafond avec moteur CC". Ne pas l'utiliser avec tout autre type d'appareil électrique.

AVERTISSEMENT : Le câblage doit être installé conformément aux codes d'électricité nationaux et locaux. Si vous avez des doutes sur vos connaissances en matière d'électricité, demandez à un électricien qualifié d'installer la commande.

Effectuer toutes les connexions illustrées sur la Figure 13. Fixer chacune des connexions avec les serre-fils fournis. (Fig. 13)

A. Connexion du fil du ventilateur

Étape 1. Acheminez le fil du ventilateur (moteur) au fil Noir de la commande murale.(Fig. 13)

Étape 2. Acheminez le fil du ventilateur (moteur) au fil Blanc de l'alimentation du domicile. (Fig. 13)

Étape 3. Si votre boîte à prises du plafond dispose d'un fil de terre (vert ou cuivre nu), connectez le au fil de terre du ventilateur du plafond et/ou du support de montage du plafond. (Fig. 13)

B. Connexion du fil de la télécommande

Étape 1. Acheminez le fil Noir (AU MOTEUR L) de la télécommande au fil Noir de la boîte à prises murale.(Fig. 13)

Étape 2. Acheminez le fil Noir (AC IN L) de la télécommande au fil Noir de la boîte à prises murale. (Fig. 13)

Étape 3. Si votre boîte à prises murale dispose d'un fil de terre (vert ou cuivre nu), connectez le fil de terre jaune/vert de la commande murale ; si elle n'en dispose pas, connectez le fil de terre jaune/vert de la commande murale directement à l'une des vis de la boîte à prises murale.(Fig. 13)

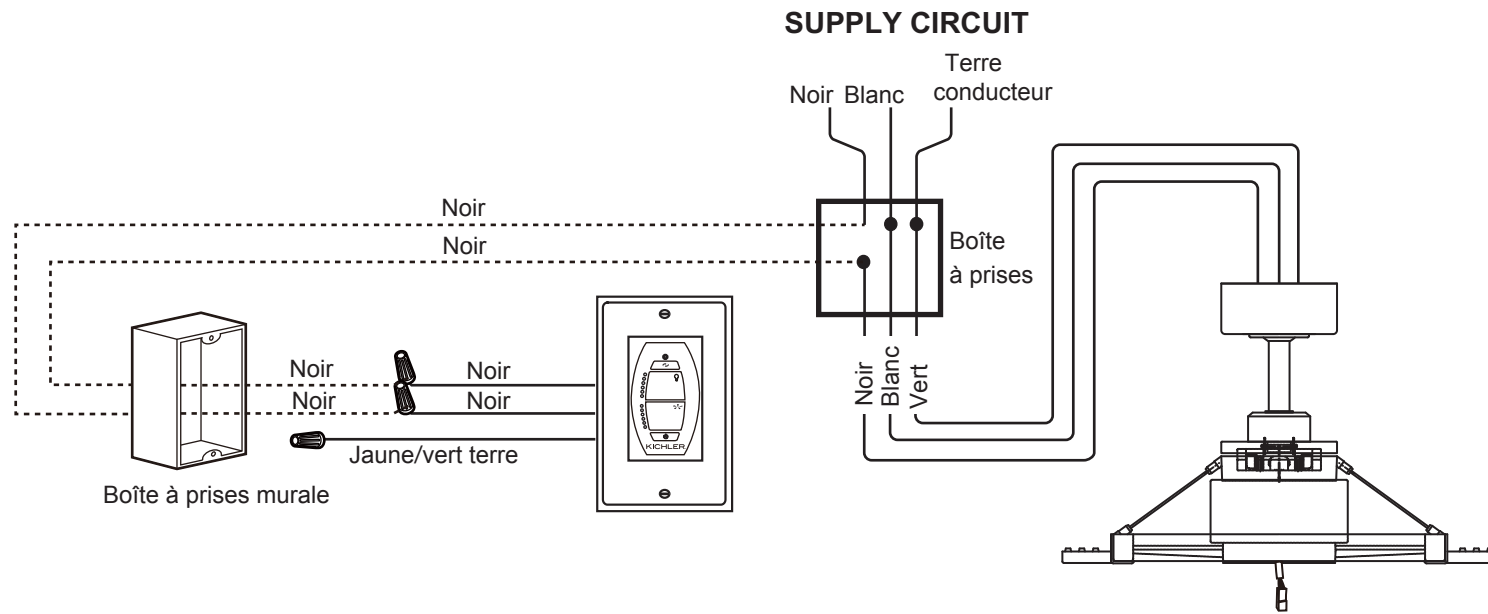


Fig. 13

DERNIÈRES ÉTAPES DE L'INSTALLATION

Étape 1. Placez toutes les connexions parfaitement dans la boîte à prises du plafond.

Étape 2. Faites glisser le cache jusqu'au support de montage et placez l'une des principales fentes de trou au-dessus de la vis de montage sur le support de montage. Tournez le cache jusqu'à ce que la tête de la vis soit verrouillée en place à la section étroite du trou de serrure. Voir la figure 14.

Étape 3. Alignez le trou circulaire restant sur le cache au trou restant sur le support de montage au plafond. Insérez et serrez la vis de montage retirée plus tôt et la vis de montage de l'étape 2 ci-dessus. Fixez maintenant le couvercle du cache sur les têtes de vis de montage en insérant les têtes de vis dans la partie inférieure du cache et en tournant le couvercle dans le sens horaire.

REMARQUE : Régler les vis du cache jusqu'à ce que le cache et le couvercle du cache soient ajustés correctement. (Fig. 14)

AVERTISSEMENT : Assurez-vous que "Check Tab" (languette de contrôle) en bas de la bride de suspension soit bien calée dans la "Registration Slot (fente d'installation)" sur le côté de la boule de suspension avant de fixer le cache au support. Si la languette de contrôle "Check Tab" n'est pas logée correctement dans la fente d'installation, les fils électriques lorsque la direction des pales du ventilateur change alors que le ventilateur est en marche.

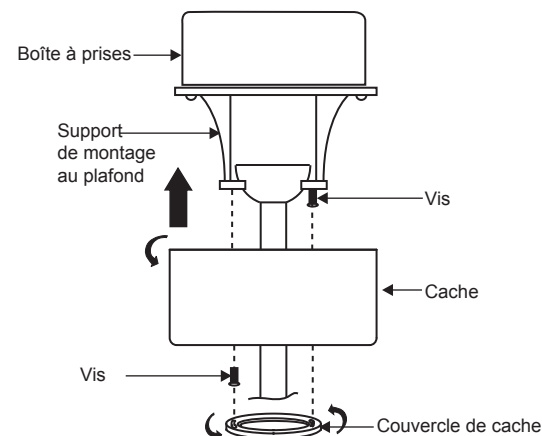
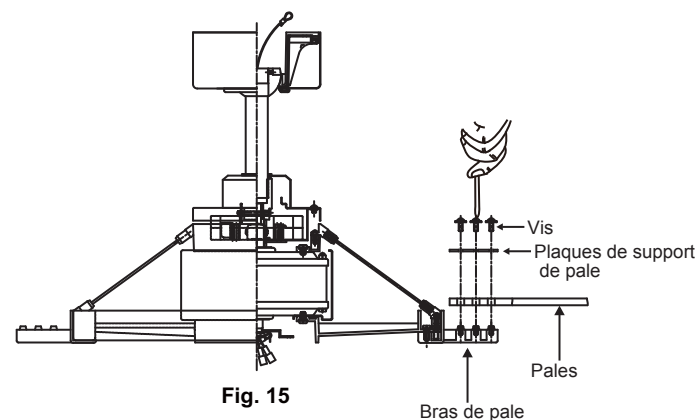


Fig. 14

FIXATION DES PALES DU VENTILATEUR

Étape 1. Alignez les trous depuis la pale et la plaque du support de pale vers les trous des bras de pales et sécurisez la pale en place avec des vis fournies.(Fig. 15)

Étape 2. Répétez ce processus pour fixer les deux autres pales.



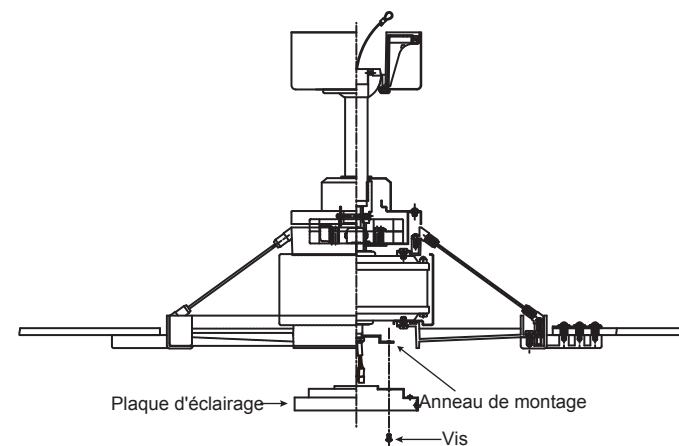
INSTALLATION DE LA PLAQUE D'ÉCLAIRAGE

Étape 1. Desserrez deux vis sur l'anneau de montage fixé à l'axe du moteur et "retirez" et conservez la troisième vis.(Fig. 16)

Étape 2. Placez les fentes des trous en forme de serrure sur la plaque d'éclairage sur les deux vis desserrées précédemment sur l'anneau de montage.

Tournez la plaque d'éclairage jusqu'à ce qu'elle soit verrouillée en place à la section étroite des trous en forme de serrure.

Serrez les deux vis des trous en forme de serrure et remplacez la troisième vis retirée précédemment et serrez fermement.



INSTALLATION DU KIT D'ÉCLAIRAGE À LED ET CACHE EN VERRE

REMARQUE : Avant de procéder à l'installation, coupez l'alimentation en déclenchant le disjoncteur ou en enlevant le fusible de la boîte de circuit.

Étape 1. Desserrez les trois vis de montage sur le kit d'éclairage à LED. (Fig.17)

Étape 2. Tout en retenant le kit d'éclairage à LED sous le moteur du ventilateur, effectuez les connexions.(Fig. 17)

- Blanc à Blanc
- Noir à Noir

Étape 3. Rangez les connexions soigneusement dans le kit d'éclairage. Placez les trous en forme de serrure sur le kit d'éclairage à LED sur les 2 vis précédemment de la plaque d'éclairage, tournez le dit d'éclairage à LED jusqu'à ce qu'il se bloque au niveau de la section étroite des trous en forme de serrure. Fixez en serrant les trois vis. (Fig.17)

Étape 4. Soulevez le cache en verre contre la plaque d'éclairage et sécurisez en serrant les trois vis. (Fig. 18)

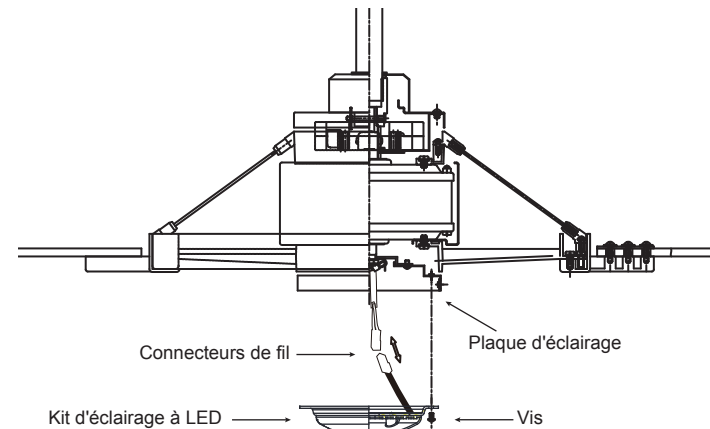


Fig. 17

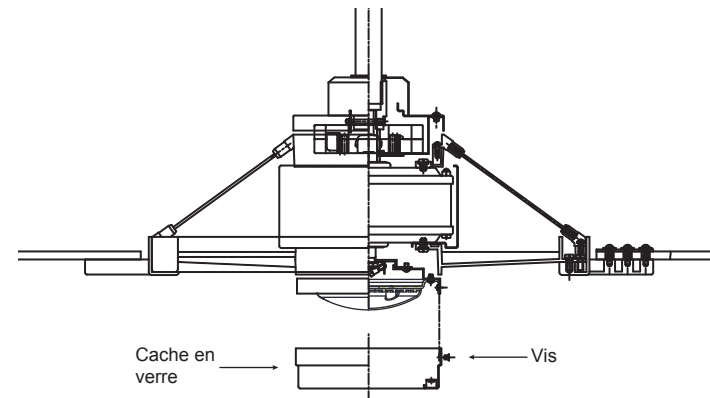


Fig. 18

RÉGLAGE DU SYSTÈME DE COMMANDE

IMPORTANT: Les pales du ventilateur au plafond DOIVENT être installées avant d'entamer la procédure de jumelage.

Programmez la commande murale et/ou la commande de l'unité portable séparément. Une fois que le jumelage suivant est effectué, la commande murale et la commande de l'unité portable peuvent être utilisées pour le ventilateur.

Appuyez sur le bouton de mise en marche pour ACTIVER la commande murale. Les lumières à LED sur la commande murale clignoteront pendant le processus d'activation pendant 3 secondes.

Appuyez sur le bouton "⏻" pour désactiver la commande murale (le bouton sera sur le haut). Restaurez l'électricité au circuit dérivation du ventilateur au plafond au niveau du disjoncteur ou de la boîte à fusibles. Dans les 60 secondes de la mise hors tension, appuyez sur le bouton de mise en marche/arrêt "⏻" pour activer la commande murale (le bouton sera vers le bas) et appuyez sur le bouton de marche arrière "↶" entre 3 et 5 secondes. La lumière va clignoter deux fois. La télécommande sera maintenant programmée à votre ventilateur et prête à être utilisée.

IMPORTANT: Ne pas interrompre le conditionnement jusqu'à ce que le ventilateur atteigne un arrêt complet dans les 5 minutes environ. Toutes les fonctions de la commande seront neutralisées pendant le conditionnement.

Essayez divers réglages de vitesse sur la commande murale et la commande de l'unité portable pour garantir que le ventilateur soit totalement opérationnel. Si la programmation échoue, réessayez le processus en recommençant l'étape 1.

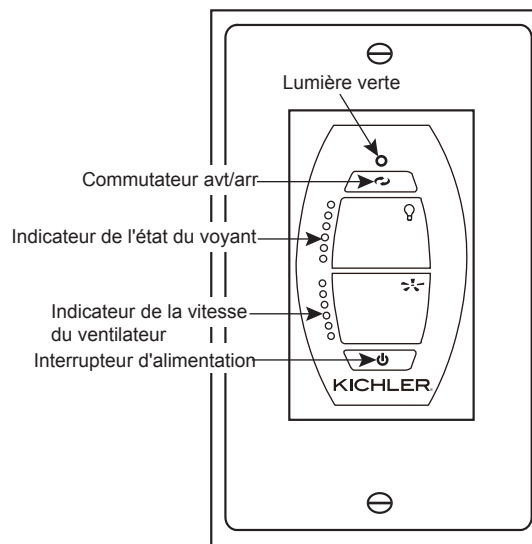


Fig. 19

INSTRUCTION SUR LES BOUTONS

Indicateur à LED rouge : Indicateur du signal de l'émetteur. Lorsque le signal RF est envoyé, le voyant rouge s'allume.

LED verte : Pour montrer l'indicateur de marche Avant et Arrière.

Bouton Marche/Arrêt "  "

Marche: Mettez sous tension.

ARRÊT : Mettre hors tension.

Bouton de marche arrière "  "

Avec le ventilateur en marche, appuyez une fois sur le bouton de marche Arrière que vous relâchez, le ventilateur change de direction.

Descendante : LED de l'indicateur en vert s'éteint.

Marche arrière : LED de l'indicateur en vert s'allume.

Bouton de la lumière "  "

Appuyez sur le bouton de la lumière et relâchez pour la commande Marche/Arrêt de la lumière. Les LED de l'indicateur de la lumière montrent l'état actuel de la lumière. Si le kit d'éclairage est à l'Arrêt, les LED de l'indicateur de la lumière seront également éteintes.

Appuyez sur le bouton de la lumière que vous **MAINTENEZ ENFONCÉ** pendant 1 secondes et le kit d'éclairage s'assombrit. La LED de l'indicateur de lumière montrera le changement au niveau de l'état du niveau de la lumière. Le niveau de la lumière passe de clair à foncé et de foncé à clair lorsque vous maintenez le bouton de la lumière enfoncé.

Commande du ventilateur "  "

Appuyez sur le bouton de vitesse du ventilateur pour la commande Marche/Arrêt du ventilateur. La LED de l'indicateur du ventilateur illustre la vitesse actuelle du ventilateur. Si le ventilateur est à l'Arrêt, les LED de l'indicateur de vitesse du ventilateur sera à l'Arrêt.

Appuyez sur le bouton de vitesse des ventilateurs et maintenez-le enfoncé pendant 1 seconde pour procéder au réglage des vitesses du ventilateur. Les LED de l'indicateur indiquent la vitesse actuelle. Les réglages de la vitesse du ventilateur sont effectués par cycle lorsque vous appuyez sur le bouton de vitesse. Les vitesses vont des niveaux Élevés à Faibles, puis de Faible à Élevé.

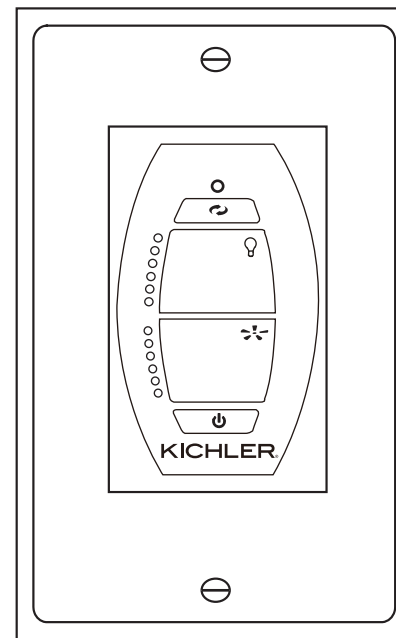


Fig. 20

PROCÉDURES DE JUMELAGE CC SANS CAPTEUR

IMPORTANT: Les pales du ventilateur au plafond **DOIVENT** être installées avant d'entamer la procédure de jumelage.

Étape 1. Programmez la commande murale et/ou la commande de l'unité portative séparément. Une fois que le jumelage suivant est effectué, la commande murale et la commande de l'unité portative peuvent être utilisées pour le ventilateur.

Pour la commande murale, restaurez l'électricité au circuit dérivation au niveau du disjoncteur ou de la boîte à fusibles.

Dans les 60 secondes de la mise hors tension, appuyez sur le bouton de mise en marche/arrêt "⏻" pour activer la commande murale (le bouton sera vers le bas) et appuyez sur le bouton de marche arrière "↺" pendant 3 à 5 secondes. La lumière va clignoter deux fois. La télécommande sera maintenant programmée à votre ventilateur et prête à être utilisée.

Pour l'unité portative, Pour l'unité portative, restaurez l'électricité au circuit dérivation du ventilateur au plafond au niveau du disjoncteur ou de la boîte à fusibles. Dans les 60 secondes de la mise hors tension, appuyez sur le bouton de mise en marche/arrêt "⏻" pendant 3 à 5 secondes. La lumière va clignoter deux fois. La télécommande sera maintenant programmée à votre ventilateur et prête à être utilisée.

IMPORTANT: Ne pas interrompre le conditionnement jusqu'à ce que le ventilateur atteigne un arrêt complet dans les 5 minutes environ. Toutes les fonctions de la commande seront neutralisées pendant le conditionnement.

Étape 2. Essayez un réglage de vitesse différent sur la commande murale et sur le contrôle du combiné pour vous assurer que le ventilateur est maintenant entièrement fonctionnel. Si la programmation échoue, réessayez le processus en recommençant l'étape 1.

INSTALLATION DE LA PLAQUE MURALE DU SYSTÈME DE COMMANDE MURALE

Sélectionnez un emplacement pour installer l'émetteur du système de contrôle murale et la plaque murale.

RAPPEL la commande ne doit pas être installée à l'extérieur. Vous pouvez utiliser en toute sécurité l'émetteur à l'extérieur mais il doit être installé à l'intérieur et à l'écart de toute chaleur excessive et de tout contact avec l'eau ou l'humidité.

Installez la plaque murale en utilisant une boîte à prises murale présente. Assurez-vous que l'alimentation électrique est COUPÉE au panneau principal avant de continuer.

Si votre boîte à prises du plafond dispose d'un fil de terre (vert ou cuivre nu), connecte-le au fil de terre du commutateur mural et/ou du support de montage du plafond et repoussez-la à l'intérieur de la boîte à prises.

Installez la plaque murale sur la boîte à prises murale présente avec les vis (fournies). (Fig. 21)

Après avoir installé les ancrages du mur, fixez la plaque murale avec les vis de montage pour terminer l'installation.

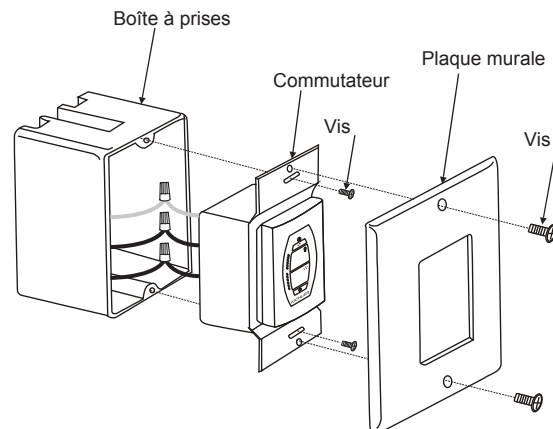


Fig. 21

CONSIGNES D'UTILISATION

Warm weather - Temps chaud - Avant (sens antihoraire) Un flux d'air vers le bas crée un effet de refroidissement (voir la Figure 22). Cela vous permet de régler votre climatiseur sur un réglage plus chaud sans affecter votre confort général.

Temps froid - Arrière (sens horaire) Un flux d'air vers le haut déplace l'air chaud hors des zones de plafond (voir Fig. 23). Cela vous permet de régler votre unité de chauffage sur un réglage plus froid sans affecter votre confort général.

REMARQUE : Pour changer le sens du flux d'air de votre ventilateur au plafond, utilisez le bouton FOR/REV (Avant/arrière) sur l'émetteur de la commande murale.

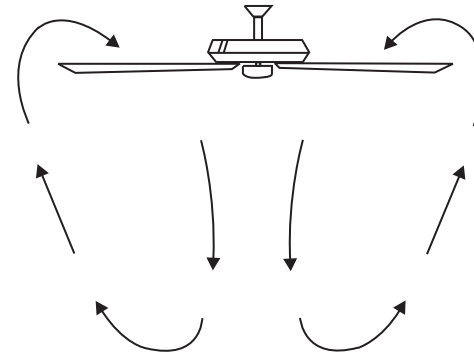


Fig. 22

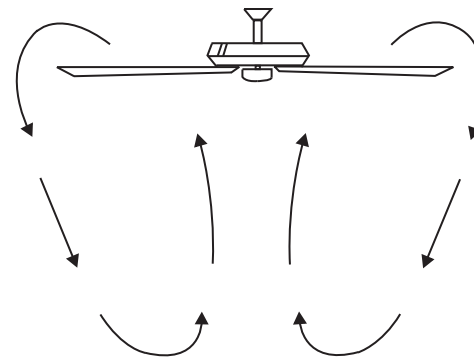


Fig. 23

DÉPANNAGE

Problème

Solution

Impossible de mettre le ventilateur en marche.

1. Vérifiez les fusibles ou disjoncteurs de circuit.
 2. Vérifiez tous les raccordements électriques pour garantir un bon contact.
- ATTENTION :** Assurez-vous que l'alimentation principale est COUPÉE lors de la vérification des raccordements électriques.

Le ventilateur est bruyant.

1. Assurez-vous que toutes les vis du boîtier du moteur sont bien ajustées.
2. Assurez-vous que les vis qui fixent les supports des pales du ventilateur au moteur sont serrées.
3. Assurez-vous que les connexions des raccords filaires ne frottent pas les uns contre les autres ou contre la paroi intérieure du boîtier du commutateur. **ATTENTION :** Assurez-vous que l'alimentation est coupée.
4. Le rodage prend 24 heures. La majorité des bruits associés à un nouveau ventilateur disparaissent pendant la période de rodage.
5. Si vous utilisez un kit d'éclairage en option, assurez-vous que les vis de fixation de la verrerie sont serrées. Assurez-vous que les ampoules ne sont pas en contact avec aucun autre composant.
6. Ne pas connecter ce ventilateur aux commandes murales aux vitesses variables. Elles ne sont pas compatibles avec les moteurs du ventilateur ni les télécommandes.
7. Assurez-vous que le cache supérieur est à une courte distance du plafond. Il ne doit pas toucher le plafond.

Le ventilateur vacille.

1. Vérifiez que toutes les vis des pales et des bras de pales sont sécurisées.
2. La plupart des problèmes de vacillement des ventilateurs provient des niveaux inégaux des pales. Vérifiez ce niveau en sélectionnant un point sur le plafond au-dessus de l'embout de l'une des pales. Mesurez cette distance. Faites tourner le ventilateur jusqu'à ce que la prochaine pale soit positionnée pour la mesure. Répétez pour chaque pale. L'intervalle doit être de 3 mm.
3. Si le vacillement des pales est toujours perceptible, échangez deux pales adjacentes (côte à côte) pour redistribuer le poids et éventuellement permettre un fonctionnement plus équilibré.

La télécommande ne fonctionne pas correctement.

1. Les ventilateurs de plafond avec des systèmes de contrôle à distance **NE PEUVENT PAS** fonctionner conjointement avec tout autre système de contrôle, SAUF un interrupteur mural de marche/arrêt, le cas échéant.

FCC INFORMATION

Cet appareil est conforme à la section 15 de la réglementation de la FCC. L'exploitation est soumise aux deux conditions suivantes :

- 1) Cet équipement ne doit pas causer d'interférences nuisibles, et
- 2) Cet équipement doit accepter toute interférence reçue, y compris les interférences risquant d'engendrer un fonctionnement indésirable.

Remarque: Des tests ont confirmé que ce matériel respecte les limites d'un dispositif numérique de catégorie B, en vertu de la section 15 de la réglementation de la FCC. Ces limites ont été conçues pour fournir une protection raisonnable contre le brouillage nuisible d'une installation résidentielle. Cet équipement génère, utilise et peut rayonner de l'énergie radiofréquence et, s'il n'est pas installé et utilisé selon les instructions, peut causer de l'interférence nuisible aux communications de radio. Cependant, il est néanmoins possible qu'il y ait de l'interférence dans une installation en particulier. Si cet équipement cause du brouillage nuisible à la réception du signal de radio ou de télévision, ce qui peut être déterminé en éteignant puis en rallumant l'appareil, l'utilisateur peut essayer de corriger l'interférence en appliquant une des mesures suivantes :

- Réorienter l'antenne de réception ou changer son emplacement.
- Augmenter la distance séparant l'équipement et le récepteur.
- Brancher le matériel dans la prise de courant d'un circuit différent de celui auquel le récepteur est branché.
- Consulter le revendeur ou un technicien radio/télé d'expérience.

KICHLER®

www.kichler.com

KICHLER LIGHTING LLC

7711 EAST PLEASANT VALLEY ROAD

CLEVELAND, OHIO 44131

SERVICE CLIENTÈLE 866.558.5706

DE 08:00 à 17:00 HEURE DE L'EST, DU LUNDI AU VENDREDI

KICHLER®

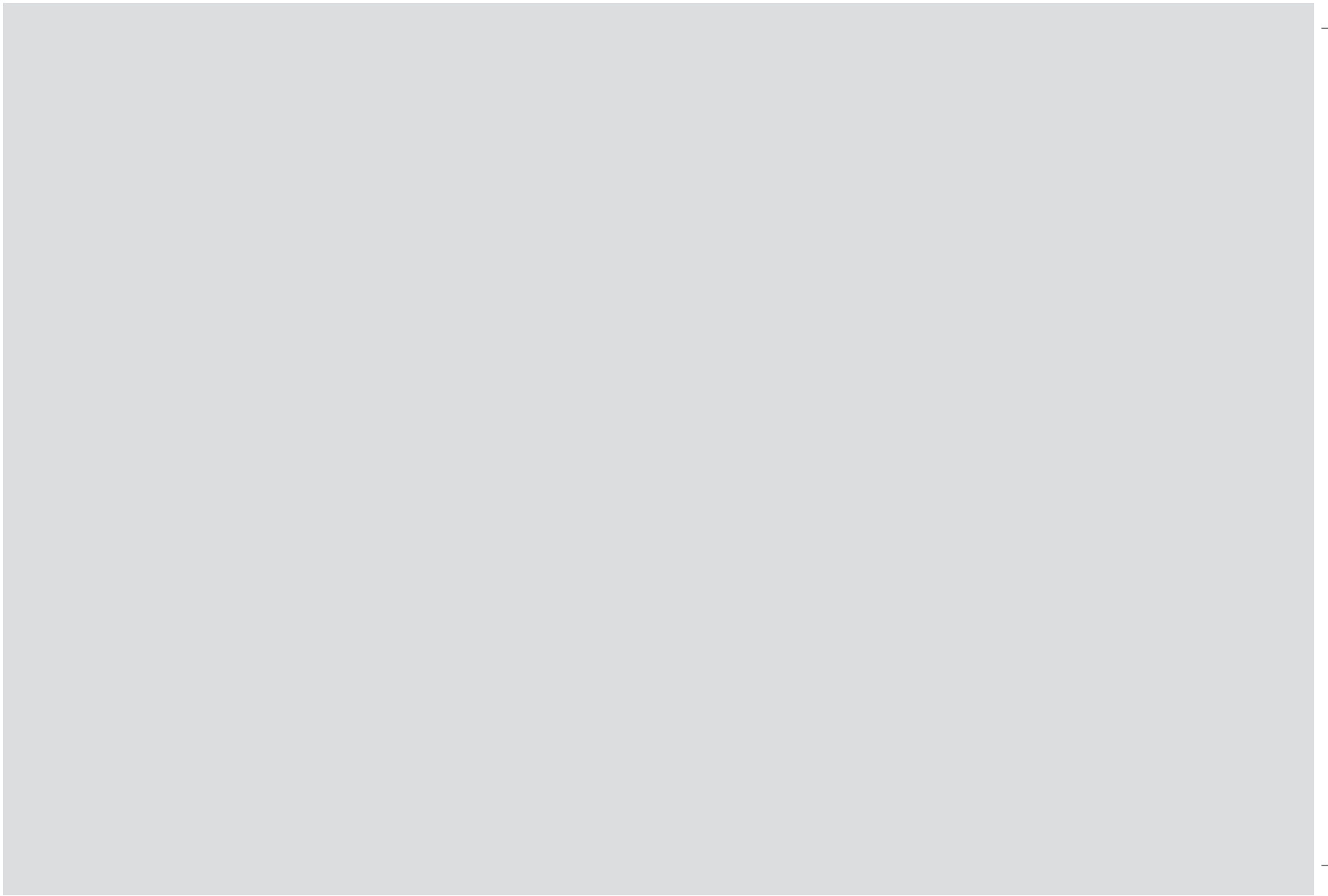
65" GENTRY

Las imágenes pueden variar levemente respecto del producto real.



MANUAL DE INSTRUCCIONES

REV 1-JUN-2021



ÍNDICE

NORMAS DE SEGURIDAD.....	4
HERRAMIENTAS REQUERIDAS	5
CONTENIDO DEL ENVASE.....	5
OPCIONES DE MONTAJE.....	6
CÓMO COLGAR EL VENTILADOR	7
INSTALACIÓN DEL SOPORTE DE SEGURIDAD	10
CONEXIONES ELÉCTRICAS.....	11
FINALIZACIÓN DE LA INSTALACIÓN	13
ACOPLAMIENTO DE LAS ASPAS	14
INSTALACIÓN DE LA PLACA DE ILUMINACIÓN	14

INSTALACIÓN DEL KIT DE ILUMINACIÓN LED Y EL ENSAMBLAJE DE LA PANTALLA DE VIDRIO	15
CONFIGURACIÓN DEL SISTEMA DE CONTROL	16
INSTRUCCIONES DE LOS BOTONES.....	17
PROCEDIMIENTOS DE EMPAREJAMIENTO DEL CONTROL DE CC SIN SENSORS.....	18
INSTALACIÓN DEL CONTROL DE PARED PLACA DE PARED DEL SISTEMA	19
INSTRUCCIONES DE FUNCIONAMIENTO.....	20
LOCALIZACIÓN Y RESOLUCIÓN DE PROBLEMAS.....	21
INFORMACIÓN DE LA FCC.....	22

cULus Modelo: 300265/CP183212/65-GENT
Peso Neto: 12.65 kg Peso Bruto: 15.40 kg

NORMAS DE SEGURIDAD

LEA Y GUARDE ESTAS INSTRUCCIONES

ADVERTENCIA: PARA CANADÁ, ESTE VENTILADOR DEBE ASEGURARSE DIRECTAMENTE A UNA ESTRUCTURA DE LA CONSTRUCCIÓN / VIGA DEL CIELORRASO. NO SUJETE EL VENTILADOR A UNA CAJA DE DISTRIBUCIÓN ELÉCTRICA.

1. **PRECAUCIÓN - RIESGO DE DESCARGA ELÉCTRICA-**
Desconectar la corriente eléctrica en el panel del cortacircuitos principal o la caja principal de fusibles antes de comenzar y durante la instalación.
2. **ADVERTENCIA:** Este elemento fijo se debe instalar según el Código Nacional de Electricidad (NEC) y todas las especificaciones de códigos locales. Si no estás familiarizado con todos los requisitos de códigos, se recomienda acudir a un electricista calificado para la instalación.
3. **ADVERTENCIA:** Para reducir el riesgo de incendio, descarga eléctrica o lesiones personales, instala directamente a una caja eléctrica clasificada como "Apropiada para sostener ventiladores de 22.7 kg (50 lb)". Para el montaje en caja eléctrica, usa los tornillos de montaje incluidos con la caja eléctrica. La mayoría de las cajas de distribución eléctrica utilizadas comúnmente para el soporte de artefactos de iluminación no resultan adecuadas para el soporte de ventiladores y pueden requerir un reemplazo. Debido a la complejidad de la instalación de este ventilador, se recomienda contratar los servicios de un electricista con licencia profesional.
4. Todo el cableado debe estar de acuerdo con el Código Nacional de Electricidad ANSI/NFPA 70 y los códigos locales de electricidad. La instalación eléctrica debe ser realizada por un electricista calificado con licencia.
5. La caja eléctrica y la estructura de soporte tienen que montarse de forma segura para poder sostener con confianza como mínimo 50 lb. Usar solo cajas eléctricas listas por cULus y clasificadas como «APROPIADA PARA SOSTENER VENTILADORES».

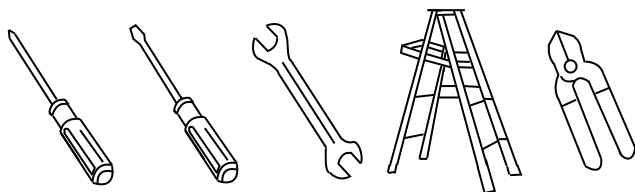
ADVERTENCIA: PARA REDUCIR EL RIESGO DE INCENDIO, DESCARGA ELÉCTRICA O LESIÓN PERSONAL, MONTAR EL VENTILADOR EN CAJA ELÉCTRICA CLASIFICADA COMO "APROPIADA PARA SOSTENER VENTILADORES".

6. **PRECAUCIÓN:** El ventilador tiene que montarse con al menos 7 pies (2.1 m) de separación entre el borde trasero de las aspas y el piso.
7. Para operar la función inversa en este ventilador, oprima el botón de sentido inverso mientras el ventilador esté funcionando.
8. Evita colocar objetos en la trayectoria de las aspas.
9. Para evitar lesiones personales o daños al ventilador y otros artículos, ten cuidado al limpiarlo o al trabajar cerca de él.
10. **ADVERTENCIA:** Asegúrese de que la energía esté desconectada antes de limpiar el ventilador.
11. No usar agua ni detergentes para limpiar el ventilador o las aspas. Para limpiar, casi siempre será adecuado un paño seco o ligeramente humedecido con que quitar el polvo.
12. Después de concluir con las conexiones eléctricas, debes voltear los conductores empalmados hacia arriba y empujarlos con cuidado hacia dentro de la caja eléctrica. Los cables deben estar separados con el cable a tierra y el conductor a tierra del equipo a un lado de la caja eléctrica.
13. Los diagramas eléctricos son solo para referencia. Los kits de luces que no vienen en la caja del ventilador tienen que estar aprobados por cULus y marcados como apropiados para usar con el modelo de ventilador que estás instalando. Los interruptores deben ser interruptores cULus de uso general. Para ensamblar bien, consulta las instrucciones adjuntas a los kits de luces e interruptores.
14. Adecuado para lugares húmedos.
15. Utilizar sólo con kits de luces marcados como aptos para lugares húmedos.
16. Todos los tornillos de fijación deben ser verificados, y volver a apretar si es necesario, antes de la instalación.

ADVERTENCIA: PARA REDUCIR EL RIESGO DE LESIONES PERSONALES, NO DOBLES LOS SOPORTES DE LAS ASPAS (TAMBIÉN LLAMADOS "BRIDAS") DURANTE NI DESPUÉS DE LA INSTALACIÓN. NO COLOCAR OBJETOS EN LA TRAYECTORIA DE LAS ASPAS.

HERRAMIENTAS REQUERIDAS

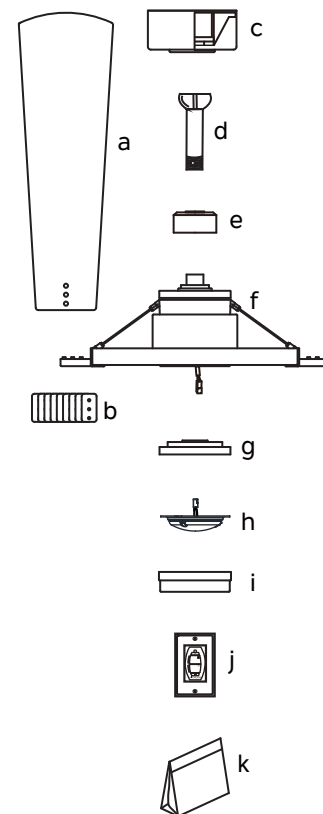
Destornillador Philips
Destornillador plano
Llave de 11 mm
Escalera
Cortacables



CONTENIDOS DEL ENVASE

Retire el ventilador de la caja y verifique que estén Todos sus componentes. La caja debería contener los siguientes elementos:

- Aspas del ventilador (9)
- Placas de soporte de las aspas (9)
- Cubierta y soporte de montaje para cielorraso
- Ensamblaje de bola/Vástago de extensión
- Tapa de acoplamiento
- Ensamblaje del motor del ventilador
- Placa de iluminación
- Kit de iluminación LED de 14,5 W
- Ensamblaje de la pantalla de vidrio
- Transmisor de pared
- Contenido de la bolsa de piezas
 - Piezas metálicas de montaje: arandelas de estrella (2), tuercas para cable (3), tornillos para metal (2), arandelas (2), tornillos (2)
 - Piezas metálicas para acoplamiento de las aspas: tornillos(29)
 - Piezas metálicas del cable de seguridad: Tirafondos, arandela de seguridad, Arandela plana
 - Kit de balanceo



OPCIONES DE MONTAJE

Si no hay ninguna caja de montaje existente con certificación UL (cUL para instalación en Canadá), entonces lea las siguientes instrucciones. Desconecte el suministro de energía eléctrica retirando los fusibles o apagando los disyuntores.

Sujete la caja de distribución directamente a la estructura de la construcción. Utilice tornillos de fijación y materiales de construcción. La caja de distribución eléctrica y su soporte deben ser capaces de soportar completamente el peso en completa del ventilador (por lo menos 50 libras). No utilice cajas de distribución eléctrica de plástico.

Las figuras 1, 2 y 3 son ejemplos de diferentes formas de montaje de la caja de distribución.

NOTA: Si usted está instalando el ventilador de techo en un cielorraso cóncavo (abovedado), es posible que necesite un vástago de extensión más largo para mantener la separación adecuada entre el extremo de las aspas y el techo. Se recomienda una separación de 12" para un funcionamiento óptimo.

NOTA: Dependiendo del lugar que haya seleccionado para la instalación, es posible que usted necesite comprar e instalar un "colgante de viga" para el soporte de la caja de distribución eléctrica. Asegúrese de que el colgante de viga que compre se haya diseñado para uso con ventiladores de techo. (Fig. 4)

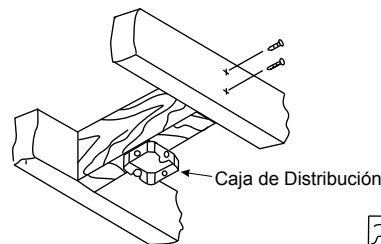


Fig. 1

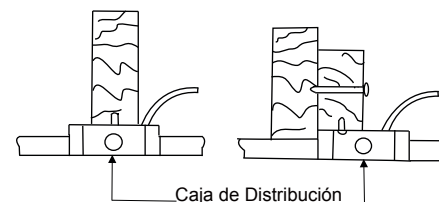


Fig. 2

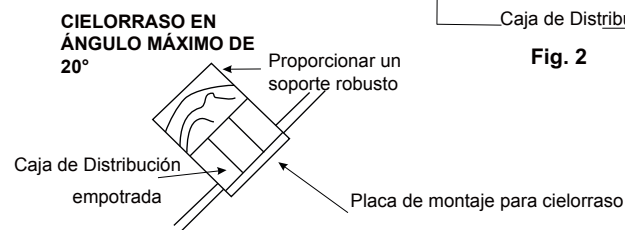


Fig. 3

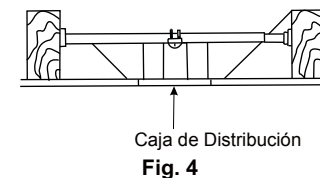


Fig. 4

CÓMO COLGAR EL VENTILADOR

ADVERTENCIA: PARA CANADÁ, ESTE VENTILADOR DEBE ASEGURARSE DIRECTAMENTE A UNA ESTRUCTURA DE LA CONSTRUCCIÓN / VIGA DEL CIELORRASO. NO SUJETE EL VENTILADOR A UNA CAJA DE DISTRIBUCIÓN ELÉCTRICA. (VER Fig. 6A)

RECUERDE desconectar el suministro de energía eléctrica antes de comenzar con la instalación.

Para instalar su ventilador de techo de manera adecuada, siga los pasos detallados a continuación.

Paso 1. Retire la tapa inferior de la cubierta decorativa haciéndola girar en sentido antihorario. (Fig. 5)

Paso 2. Retire el soporte de montaje para cielorraso de la cubierta quitando uno de los dos tornillos (que debe guardarse). Afloje media vuelta el otro tornillo. (Fig. 5)

Paso 3. Pase los cables de alimentación de 120 voltios desde la caja de distribución eléctrica del techo a través del centro de la placa de montaje de techo. (Fig. 6)

Paso 4. Acople el soporte de montaje para cielorraso a la caja de distribución eléctrica utilizando los tornillos y las arandelas incluidas con la caja de distribución. (Fig. 6)

Paso 4A. Asegure el soporte de montaje directamente a una viga de la estructura de la construcción. Utilice únicamente los tirafondos adecuados y las arandelas de seguridad que se incluyen con su ventilador (Fig. 7) **NOTA: ESTE PASO ES SÓLO PARA CANADÁ.**

¡PRECAUCIÓN! EL SOPORTE COLGANTE DEBE INSTALARSE DIRECTAMENTE EN LA VIGA DEL CIELORRASO UTILIZANDO LOS DOS TIRAFONDOS Y ARANDELAS PROPORCIONADOS. (Fig. 7)

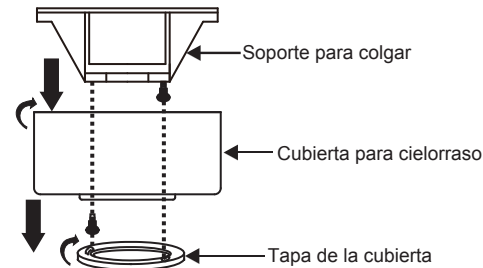


Fig. 5

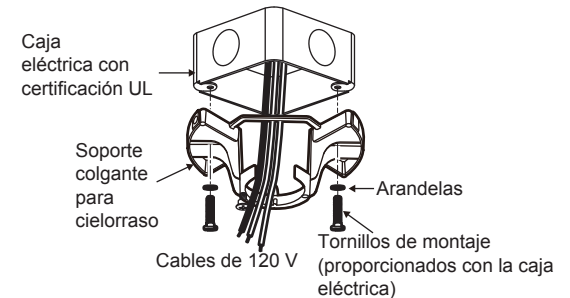


Fig. 6

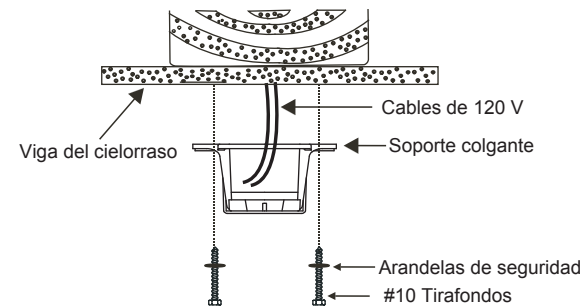


Fig. 7

CÓMO COLGAR EL VENTILADOR (Continuación)

Paso 5. Retire la bola colgante del ensamblaje del vástago de extensión aflojando el tornillo embutido, desatornillándolo y retirando el pasador transversal y desatornillando la bola del vástago. (Fig. 8)

Paso 6. Afloje los dos tornillos y retire el pasador de enganche y el clip de sujeción del acoplamiento en la parte superior del ensamblaje del motor. (Fig. 9)

Paso 7. Inserte con cuidado los cables eléctricos desde el ventilador hacia arriba a través del vástago de extensión. Enrosque el vástago de extensión en el acoplamiento hasta que los orificios del pasador de enganche estén alineados.

Luego, vuelva a colocar el pasador de enganche y el clip de sujeción. Ajuste ambos tornillos embutidos. (Fig. 9)

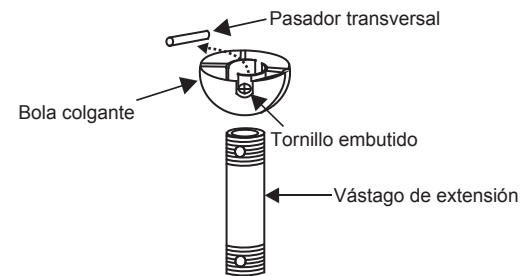


Fig. 8

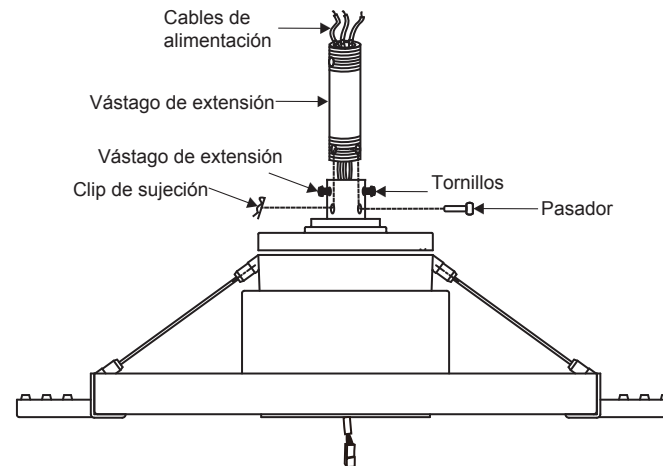


Fig. 9

CÓMO COLGAR EL VENTILADOR

(Continuación)

Paso 8. Deslice la tapa de acoplamiento, asegure el anillo, la tapa de la cubierta y la cubierta sobre el vástago de extensión. (Fig. 10)

Enrosque la bola colgante en el vástago de extensión, inserte el pasador transversal en el vástago de extensión y ajuste. Ahora, ajuste el tornillo embutido

Paso 9. Ahora, levante el cuerpo del motor hasta ubicarlo en posición y coloque la bola colgante dentro del soporte de montaje para cielorraso.

Gire el ensamblaje completo hasta que la "pestaña de verificación" haya caído en la "ranura de registro" y se haya asentado con firmeza. (Fig. 11)

El cuerpo del motor no girará (hacia la derecha o hacia la izquierda) si esto no se hace correctamente.

ADVERTENCIA: Si no se vuelve a acoplar el pasador transversal y asentar la "pestaña de verificación" el ventilador podría caer durante su funcionamiento. Tome todos los recaudos necesarios para asegurarse de que el pasador vuelva a posicionarse en su lugar.

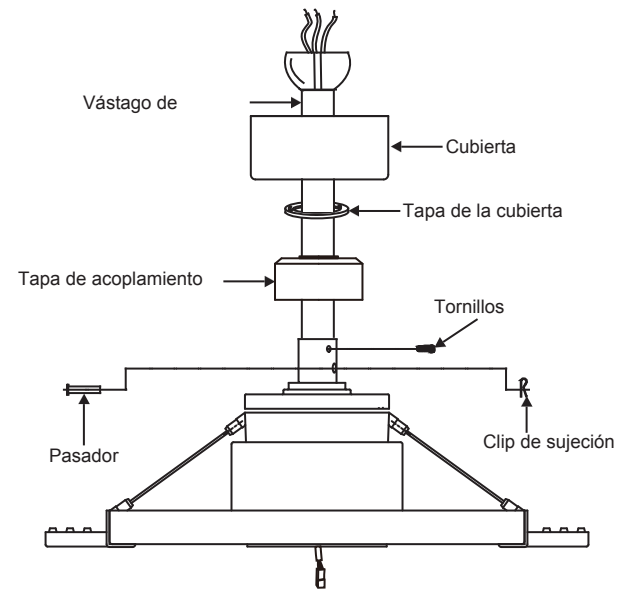


Fig. 10

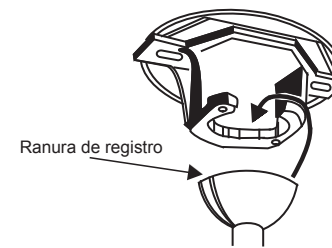


Fig. 11

INSTALACIÓN DEL SOPORTE DE SEGURIDAD

Se incluye un cable de soporte de seguridad que contribuye a evitar que el ventilador de techo se caiga.

Step 1. Inserte un tirafondo y arandelas en el colgante de viga junto al soporte de montaje, pero no ajuste. (Fig. 12)

Paso 2. Ajuste la longitud del cable de seguridad para alcanzar el tornillo y las arandelas jalando todo el cable extra a través del sujetacables hasta que la longitud total sea la correcta; coloque el extremo del cable hacia atrás a través del sujetacables, formando un bucle al final del cable. Ajuste el sujetacables con firmeza. Ahora, coloque el bucle al final del cable de seguridad por encima del tirafondo y por debajo de la arandela. Ajuste bien el tirafondo.

NOTA: Aunque el cable de soporte de seguridad se requiere únicamente para instalaciones en Canadá, se recomienda su uso con cualquier instalación.

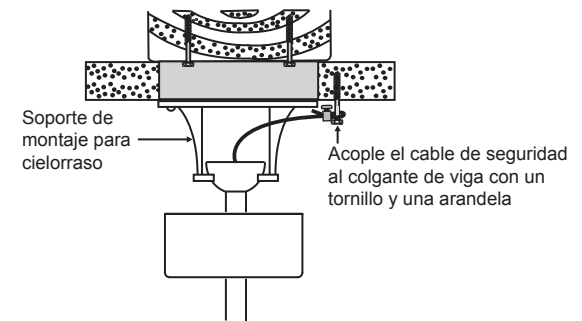


Fig. 12

CONEXIONES ELÉCTRICAS

ADVERTENCIA: Lea atentamente y conserve este Manual de instrucciones para referencia futura.

ADVERTENCIA: Para evitar posibles descargas eléctricas, asegúrese de haber desconectado el suministro de energía eléctrica desde el panel principal retirando el fusible o apagando el disyuntor.

ADVERTENCIA: Este control está diseñado para uso con "Ventiladores de techo con motor de CC " ÚNICAMENTE. NO utilice con ningún otro tipo de dispositivo eléctrico.

ADVERTENCIA: Todos los cables deben ajustarse a los códigos eléctricos nacionales y locales. Si usted considera que no tiene suficientes conocimientos de electricidad, contrate los servicios de un electricista con licencia profesional para la instalación del control.

Haga cada una de las conexiones de alambre ilustradas en la Figura 13. Asegure cada una con las tuercas de alambre proporcionadas. (Fig. 13)

A. Conexión eléctrica del ventilador

Paso 1. Conecte el cable negro del ventilador (motor) al cable negro del control de pared. (Fig. 13)

Paso 2. Conecte el cable blanco del ventilador (motor) al cable blanco (neutro) del suministro de energía de su hogar. (Fig. 13)

Paso 3. Si su caja de distribución tiene un cable de puesta a tierra (verde o cobre sin recubrimiento), conéctelo al cable de puesta a tierra del ventilador de techo y/o al soporte de montaje para cielorraso. (Fig. 13)

B. Conexión eléctrica del control de pared

Paso 1. Conecte el cable negro (AL MOTOR L) del control de pared con el cable negro de la caja de distribución eléctrica de pared. (Fig. 13)

Paso 2. Conecte el cable negro (CA EN L) del control de pared con el cable negro de la caja de distribución eléctrica de pared. (Fig. 13)

Paso 3. Si su caja de distribución tiene un cable de puesta a tierra (verde o cobre sin recubrimiento), conecte el cable de puesta a tierra amarillo/verde del control de pared a dicho cable; en caso contrario, conecte el cable de puesta a tierra amarillo/verde del control de pared directamente a uno de los tornillos de la caja de distribución eléctrica. (Fig. 13)

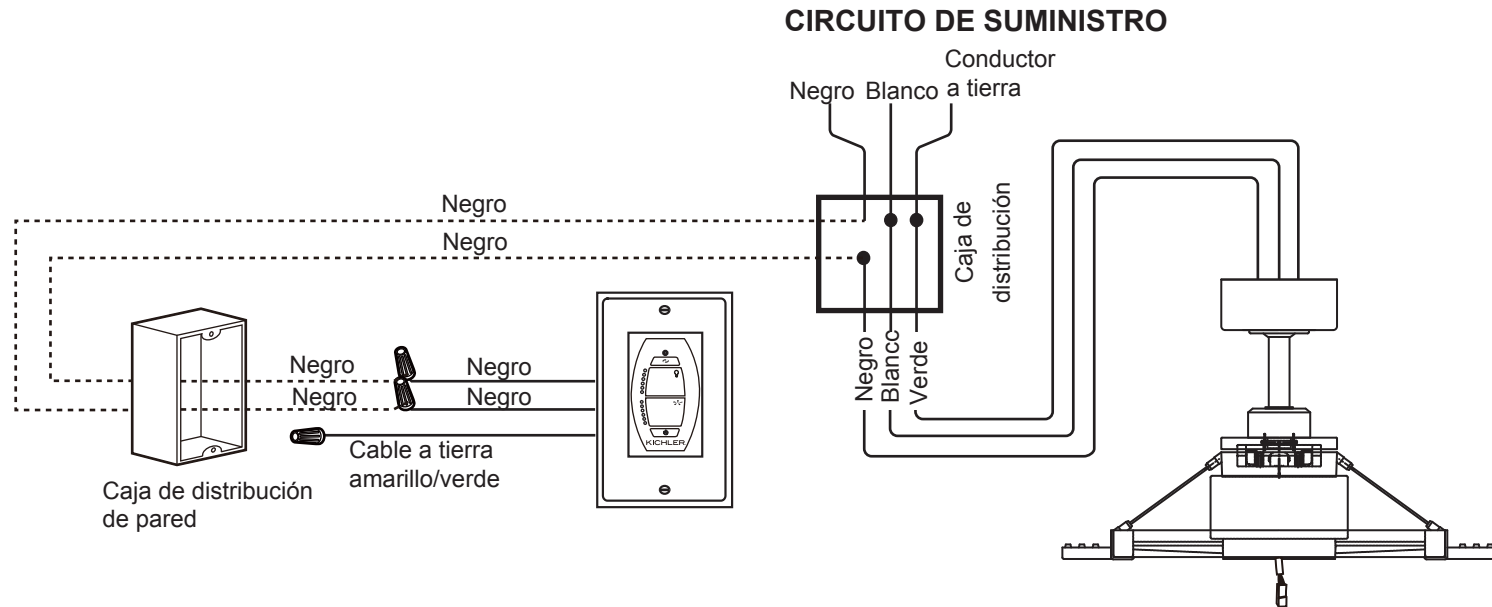


Fig. 13

FINALIZACIÓN DE LA INSTALACIÓN

Paso 1. Inserte las conexiones en forma ordenada dentro de la caja de distribución eléctrica del cielorraso.

Paso 2. Deslice la cubierta hacia arriba hasta el soporte de montaje y coloque una de las ranuras de los orificios principales sobre el tornillo de montaje en el soporte de montaje. Haga girar la cubierta hasta que el tornillo se trabe en posición en la sección angosta del orificio principal. Ver Figura 14.

Paso 3. Alinee el orificio circular restante sobre la cubierta con el orificio restante del soporte de montaje para cielorraso. Inserte y ajuste el tornillo de montaje que retiró anteriormente y el tornillo de montaje del Paso 2 arriba. Ahora, acople la tapa de la cubierta con las cabezas del tornillo de montaje insertando las cabezas de los tornillos del lado inferior de la tapa de la cubierta y haciendo girar la tapa en sentido horario.

NOTA: Ajuste los tornillos de la cubierta según sea necesario hasta que la cubierta y la tapa de la cubierta estén bien ajustadas. (Fig. 14)

ADVERTENCIA: Asegúrese de que la "Pestaña de verificación" en la parte inferior del soporte colgante esté bien apoyada en la "ranura de registro" en el costado de la bola colgante antes de acoplar la cubierta con el soporte. El asiento incorrecto de la "pestaña de verificación" puede dañar los cables eléctricos cuando la dirección de las aspas del ventilador del techo se modifique con el ventilador en movimiento.

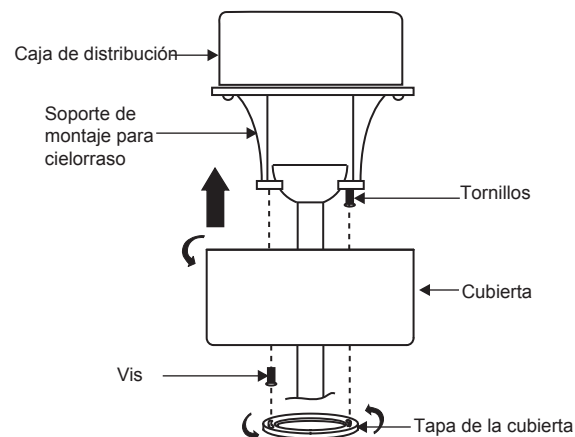
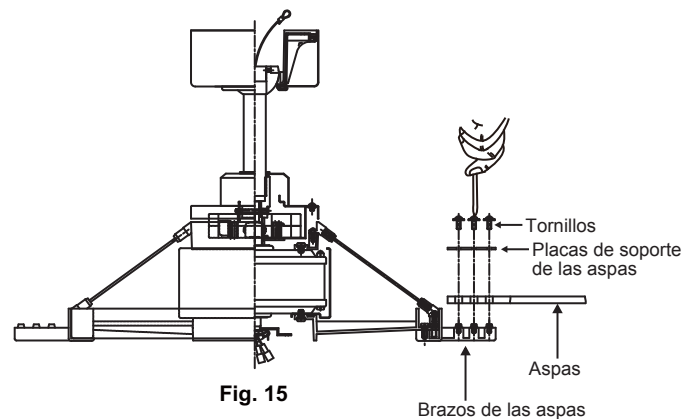


Fig. 14

ACOPLAMIENTO DE LAS ASPAS

Paso 1. Alinee los orificios del asa con los orificios del motor y asegure el asa con los tornillos y las arandelas plana proporcionados. (Fig. 15)

Paso 2. Repita este proceso para acoplar las otras dos asas.



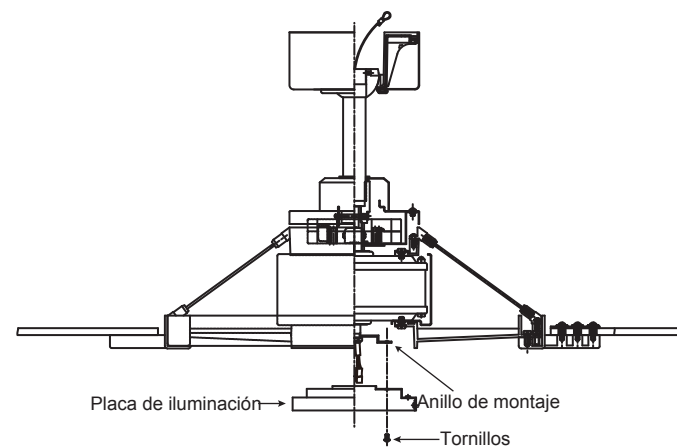
INSTALACIÓN DE LA PLACA DE ILUMINACIÓN

Paso 1. Afloje los dos tornillos del anillo de montaje unido al eje del motor y "retire" y guarde el tercer tornillo. (Fig. 16)

Paso 2. Coloque las ranuras de los orificios principales en la placa de iluminación sobre los dos tornillos aflojados previamente en el anillo de montaje.

Gire la placa de iluminación hasta que se traben en posición en la sección angosta de las ranuras de los orificios principales.

Ajuste ambos tornillos de los orificios principales y vuelva a colocar el tercer tornillo retirado anteriormente y ajuste bien.



INSTALACIÓN DEL KIT DE ILUMINACIÓN LED Y EL ENSAMBLAJE DE LA PANTALLA DE VIDRIO

NOTA: Antes de comenzar con la instalación, asegúrese de que la electricidad esté desconectada desde el disyuntor o retire el fusible de la caja de fusibles.

Paso 1. Afloje los tres tornillos de montaje del lado interno del kit de iluminación LED. (Fig. 17)

Paso 2. Mientras sostiene el kit de iluminación LED por debajo del motor del ventilador, conecte el cableado: (Fig. 17)

- Blanco con blanco
- Negro con negro

Paso 3. Inserte las conexiones en forma ordenada dentro de la placa de iluminación. Coloque los orificios principales del kit de iluminación LED sobre los 2 tornillos aflojados anteriormente de la placa de iluminación, haga girar el kit de iluminación LED hasta que se trabe en posición en la sección angosta de los orificios principales. Asegure ajustando los tres tornillos. (Fig. 17)

Paso 4. Levante la pantalla de vidrio contra la placa de iluminación y asegure ajustando los tres tornillos. (Fig. 18)

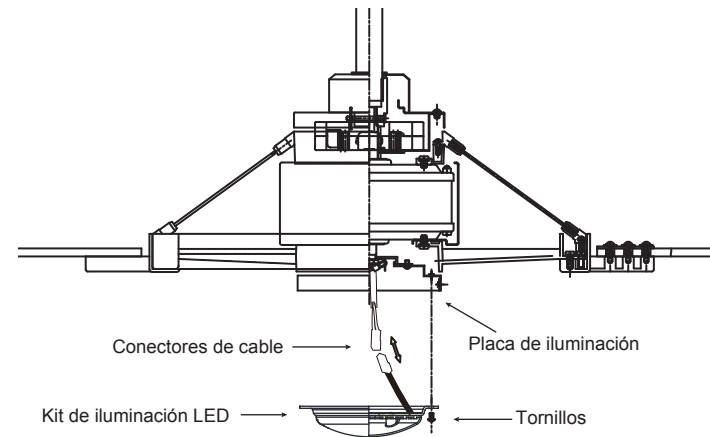


Fig. 17

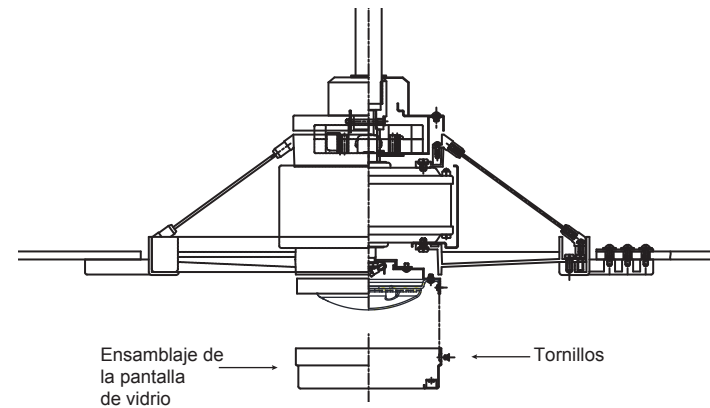


Fig. 18

CONFIGURACIÓN DEL SISTEMA DE CONTROL

IMPORTANTE: Las aspas del ventilador de techo DEBEN instalarse antes de comenzar con el procedimiento de emparejamiento.

Programa el control de pared y/o el control del mando a distancia por separado. Una vez que el emparejamiento se haya realizado con éxito, el control de pared y el mando a distancia podrán utilizarse para el ventilador.

Presione el botón de encendido en el control de pared para ENCENDER LA ENERGÍA. Las luces LED del control de pared parpadearán durante el proceso de encendido, aproximadamente 3 segundos.

Presione el botón "⏻" de encendido para apagar el control de pared (el botón estará arriba). Vuelva a conectar la energía al circuito derivado del ventilador de techo desde el disyuntor o la caja de fusibles. Dentro de los 60 segundos de haber conectado la energía, presione el botón "⏻" de encendido para encender el control de pared (el botón estará abajo) y luego presiones el botón "↺" de sentido inverso durante 3 a 5 segundos. La luz parpadeará una vez. El control remoto ahora está programado y listo para utilizarse con su ventilador.

IMPORTANTE: No interrumpa el acondicionamiento hasta que el ventilador se haya detenido por completo en aproximadamente 5 minutos. Todas las funciones del control se rechazarán durante el acondicionamiento.

Pruebe diferentes configuraciones de velocidades en el control de pared y el mando a distancia para asegurarse de que el ventilador esté funcionando de manera adecuada. Si la programación no es exitosa, vuelva a intentarlo comenzado desde el paso 1 una vez más.

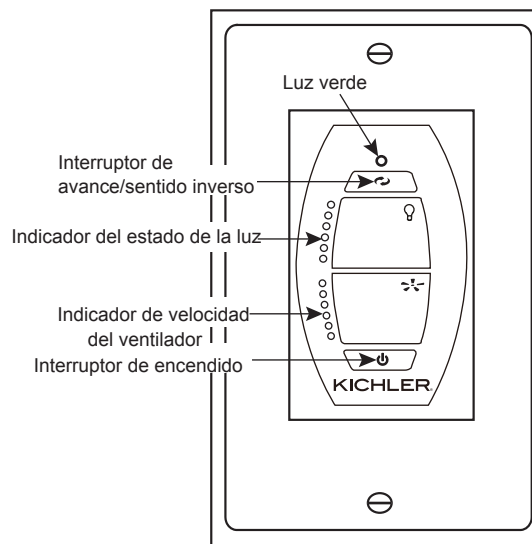


Fig. 19

INSTRUCCIONES DE LOS BOTONES

Indicador de LED rojo: Indicador de señal del transmisor. Cuando se envíe una señal de RF, se iluminará la luz roja.

LED verde: Para mostrar el indicador de avance/sentido inverso.

Botón ON/OFF "🔌"

ON: Enciende la energía.

OFF: Apaga la energía.

Botón de sentido inverso "🔄"

Cuando el ventilador esté funcionando, presione una vez y suelte el botón de sentido inverso; el ventilador cambiará el sentido de su rotación. Flujo vertical: El indicador LED verde estará apagado. Sentido inverso: El indicador LED verde estará encendido.

Botón de luz "💡"

Presione y suelte el botón de la luz para controlar el encendido/apagado de la luz. Los LED indicadores de luz mostrarán el estado actual de la luz. Si la luz está APAGADA, el LED indicador de la luz también estará apagado. Presione y MANTENGA PRESIONADO el botón de luz durante más de 1 segundo y el kit de iluminación comenzará a regular la intensidad de la luz. El LED indicador mostrará el cambio del estado del nivel de iluminación. El nivel de iluminación fluctúa entre claro y oscuro y regresa a claro cuando se mantiene presionado el botón de la luz.

Control del ventilador "🌀"

Presione y mantenga presionado el botón de velocidad del ventilador para el control del encendido/apagado del ventilador. El LED indicador del ventilador ilustrará la velocidad actual del ventilador. Si el ventilador está APAGADO, los LED indicadores de velocidad del ventilador también estarán APAGADOS. Presione y mantenga presionado el botón de velocidad del ventilador por más de 1 segundo para comenzar el ajuste de las velocidades del ventilador. Los LED indicadores mostrarán el nivel de velocidad actual. EL ajuste de velocidad del ventilador se ajusta en un ciclo de repetición cuando el botón de velocidad esté presionado. Las velocidades se ajustan de alta a baja, y luego en sentido contrario de baja a alta.

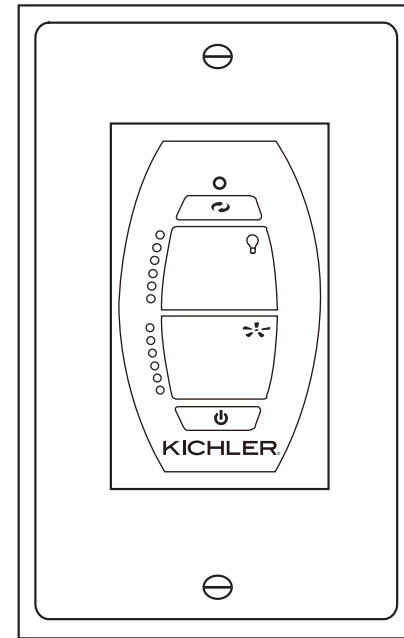


Fig. 20

PROCEDIMIENTOS DE EMPAREJAMIENTO DE CONTROL DE CC SIN SENSORES

IMPORTANTE: Las aspas del ventilador de techo **DEBEN** instalarse antes de comenzar con el procedimiento de emparejamiento.

Paso 1. Programe el control de pared y/o el control del mando a distancia por separado. Una vez que el emparejamiento se haya realizado con éxito, el control de pared y el mando a distancia podrán utilizarse para el ventilador.

Para el control de pared, presione el botón de encendido para apagar el control de pared (el botón estará arriba). Vuelva a conectar la energía al circuito derivado del ventilador de techo desde el disyuntor o la caja de fusibles. Dentro de los 60 segundos de haber conectado la energía, presione el botón de encendido "⏻" para encender el control de pared (el botón estará abajo) y luego presiones el botón de sentido inverso "↺" durante 3 a 5 segundos. La luz parpadeará una vez. El control remoto ahora está programado y listo para utilizarse con su ventilador.

Para control del mando a distancia, Vuelva a conectar la energía al circuito derivado del ventilador de techo desde el disyuntor o la caja de fusibles. Dentro de los 60 segundos de haber conectado la energía, presione el botón de encendido "⏻" para encender el control de pared (el botón estará abajo) y luego presiones el botón de sentido inverso durante 3 a 5 segundos. La luz parpadeará una vez. El control remoto ahora está programado y listo para utilizarse con su ventilador.

IMPORTANTE: No interrumpa el acondicionamiento hasta que el ventilador se haya detenido por completo en aproximadamente 5 minutos. Todas las funciones del control se rechazarán durante el acondicionamiento.

Paso 2 Pruebe diferentes configuraciones de velocidades en el control de pared y el mando a distancia para asegurarse de que el ventilador esté funcionando de manera adecuada Si la programación no es exitosa, vuelva a intentarlo comenzado desde el paso 1 una vez más.

INSTALACIÓN DE LA PLACA DE PARED DEL SISTEMA DE CONTROL DE PARED

Seleccione una ubicación para instalar la placa de pared y el transmisor del sistema de control de pared.

RECUERDE también que debería mencionarse que el control no puede instalarse en exteriores. Usted puede utilizar el transmisor en exteriores en forma segura, pero debe instalarse en interiores lejos del calor excesivo y del contacto con el agua y la humedad.

Instale la placa de pared utilizando una caja de distribución eléctrica de pared existente. Asegúrese de que la potencia eléctrica este APAGADA desde el panel principal antes de continuar.

Si su caja de distribución tiene un cable de puesta a tierra (verde o cobre sin recubrimiento), conecte el cable de puesta a tierra amarillo/verde del interruptor de pared y/o el soporte de montaje para cielorraso y vuelva a empujarlos al interior de la caja de distribución eléctrica.

Instale la placa de pared en la caja de distribución eléctrica existente utilizando los tornillos proporcionados. (Fig. 21)

Después de haber instalado los anclajes de pared, acople la placa de pared con los tornillos de montaje para finalizar la instalación.

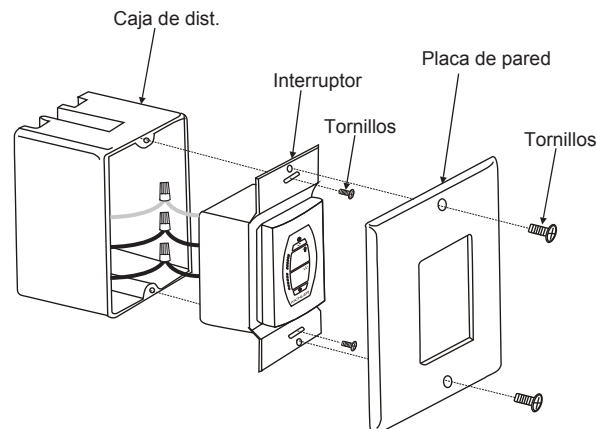


Fig. 21

INSTRUCCIONES DE FUNCIONAMIENTO

Clima cálido - Avance (sentido antihorario) Un flujo de aire descendente crea un efecto de enfriamiento tal como se muestra en la Fig. 22. Esto permite configurar su acondicionador de aire en casos de clima más cálido sin afectar su comodidad.

Clima frío - Sentido inverso (sentido horario) Un flujo de aire ascendente desplaza el aire caliente del área del cielorraso tal como se muestra en la Fig. 23. Esto permite configurar la calefacción en casos de clima más fresco sin afectar su comodidad.

NOTA: Para cambiar la dirección del flujo de aire del ventilador de techo utilice el botón de avance/sentido inverso del transmisor de control de pared.

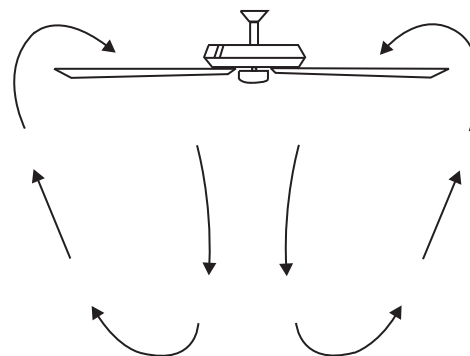


Fig. 22

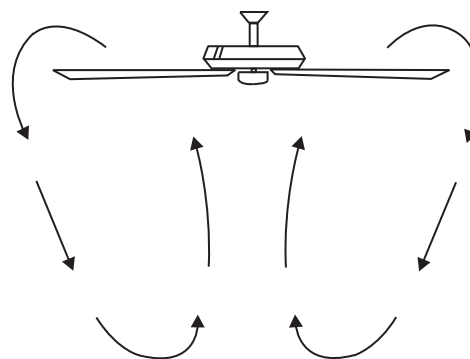


Fig. 23

LOCALIZACIÓN Y RESOLUCIÓN DE PROBLEMAS

Problema	Solución
El ventilador no arranca.	<ol style="list-style-type: none">1. Controle el funcionamiento de los fusibles de circuito o los disyuntores.2. Verifique todas las conexiones eléctricas para asegurar el debido contacto. <p>PRECAUCIÓN: Asegúrese de que la corriente principal esté DESCONECTADA al verificar cualquier conexión eléctrica.</p>
El ventilador hace mucho ruido.	<ol style="list-style-type: none">1. Asegúrese de que todos los tornillos de la caja del motor estén ajustados.2. Asegúrese de que los tornillos que sujetan los soportes de las aspas del ventilador al motor estén ajustados.3. Asegúrese de que las conexiones empalmadas con conectores no se rocen entre sí o contra la pared interna de la caja de interruptores. PRECAUCIÓN: Asegúrese de que la corriente principal esté desconectada.4. Se requiere un lapso de "adaptación" de 24 horas. La mayoría de los ruidos asociadas con un nuevo ventilador desaparecen en este lapso.5. Si se utiliza un kit de iluminación opcional, asegúrese de que los tornillos que sujetan las piezas de vidrio estén ajustados. Asegúrese de que las bombillas de luz no estén tocando ningún otro componente.6. No conecte el ventilador a un control o controles de velocidad variable de pared. No son compatibles con los motores de los ventiladores de techo o los controles remotos.7. Asegúrese de que la cubierta superior esté cerca del techo. No debe tocar el techo.
El ventilador tambalea.	<ol style="list-style-type: none">1. Verifique que todos los tornillos de las aspas y de los brazos de las aspas estén ajustados.2. La mayoría de los problemas de tambaleo de los ventiladores son provocados por la desigualdad de los niveles de las aspas. Verifique este nivel seleccionando un punto en el techo por encima del extremo de una de las aspas. Mida esta distancia. Haga girar el ventilador hasta posicionar la siguiente aspa para su medición. Repita con cada aspa. La desviación de la distancia debe ser igual dentro de 1/8".3. Si el tambaleo de las aspas aún puede apreciarse, el intercambio de dos aspas adyacentes (una junto a la otra) permite redistribuir el peso y posiblemente resulte en un mejor funcionamiento.
Mal funcionamiento del control remoto.	<ol style="list-style-type: none">1. Los ventiladores de techo con sistemas de control remoto NO PUEDEN operarse junto con ningún otro sistema de control SALVO un interruptor básico de encendido/apagado de pared, si así se desea.

INFORMACIÓN DE LA FCC:

Este dispositivo cumple con la parte 15 de las Reglas de la FCC. La operación es sujeto a las dos condiciones siguientes:

- 1) Este dispositivo no puede causar interferencia dañina, y
- 2) Este dispositivo debe aceptar cualquier interferencia recibida, incluyendo interferencias que puedan causar un funcionamiento no deseado.

Nota: Este equipo ha sido probado y cumple con los límites para un dispositivo digital de Clase B, de acuerdo con la parte 15 de las Reglas de la FCC. Estos límites están diseñados para proveer protección razonable contra interferencias dañinas en una instalación residencial. Este equipo genera, utiliza y puede irradiar energía de radiofrecuencia y, si no se instala y utiliza de acuerdo con las instrucciones, puede causar interferencias en las comunicaciones por radio. Sin embargo, no hay garantizar que no se produzcan interferencias en una instalación en particular. Si este equipo causa interferencia perjudicial a la recepción de radio o televisión, que puede determinarse encender y apagar el equipo, se recomienda al usuario que intente corregir la interferencia mediante una o más de las siguientes medidas:

- Reorientar o reubicar la antena receptora.
- Aumente la separación entre el equipo y el receptor.
- Conecte el equipo a una toma de corriente en un circuito distinto al que está conectado el receptor.
- Consulte al distribuidor oa un técnico de radio / TV experimentado para obtener ayuda.

KICHLER®

www.kichler.com

KICHLER LIGHTING LLC

7711 EAST PLEASANT VALLEY ROAD

CLEVELAND, OHIO 44131

SERVICIO DE ATENCIÓN AL CLIENTE 866.558.5706

8:00 AM A 5:00 PM HORA DEL ESTE, DE LUNES A VIERNES