

Read this instruction carefully. See hardware and furniture part list for guidance. Be sure all parts are complete, before you assemble. Place all wooden furniture parts on a clean and flat soft surface to prevent from being scratched. Follow the figure to start assembling.

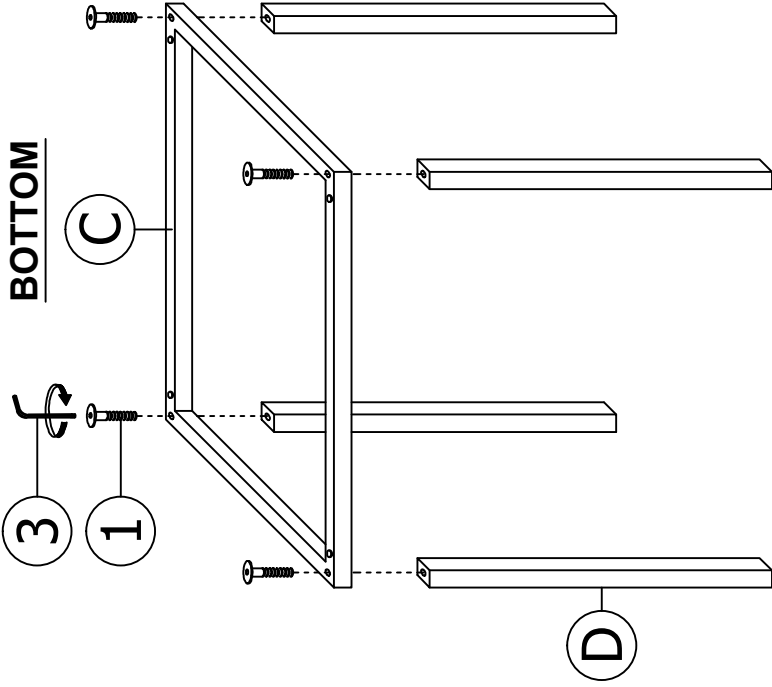
- CAUTION :**
1. Do not FULLY - TIGHTEN the nuts or nut bolts until they are ready for assembly.
  2. Do not OVER - TIGHTEN the nuts or bolts to avoid causing damages to the thread.
  3. Keep all hardware parts out of reach of children.

**NOTE :** THE LIST AND QUANTITY SHOWN ARE FOR 1 UNIT ASSEMBLY.  
Tools needed : Screwdriver (not provided).

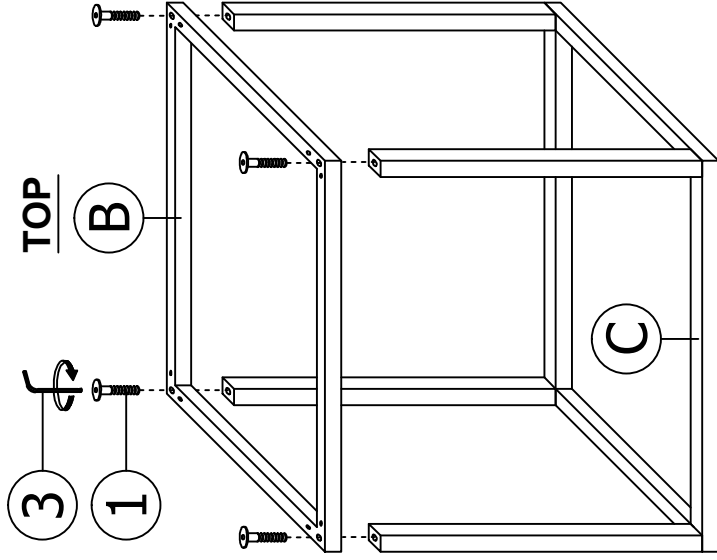
PART LIST			
ITEM	DESCRIPTION	QTY	
A	NIGHTSTAND	1 SET	
B	LEG FRAME TOP	1 PC	
C	LEG FRAME BOTTOM	1 PC	
D	LEG FRAME SUPPORT	4 PCS	
E	HANDLE	1 PC	

HARDWARE LIST			
ITEM	DESCRIPTION	QTY	
1	JCBC BOLT M6 x 40mm	8 PCS	
2	WOOD SCREW M4 x 32mm	8 PCS	
3	M4 ALLEN KEY (BALL-SHAPE)	1 PC	

**STEP 1**

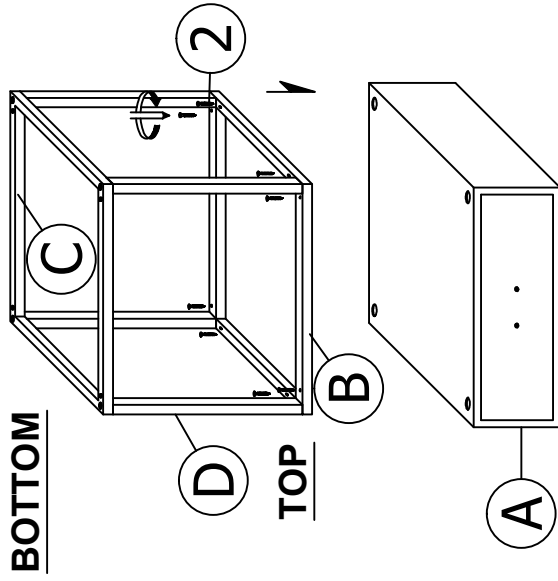


**STEP 2**

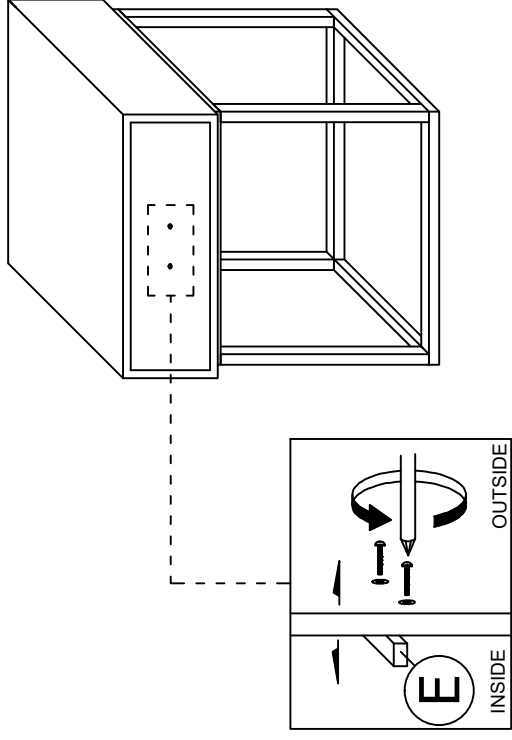


# ASSEMBLY INSTRUCTIONS

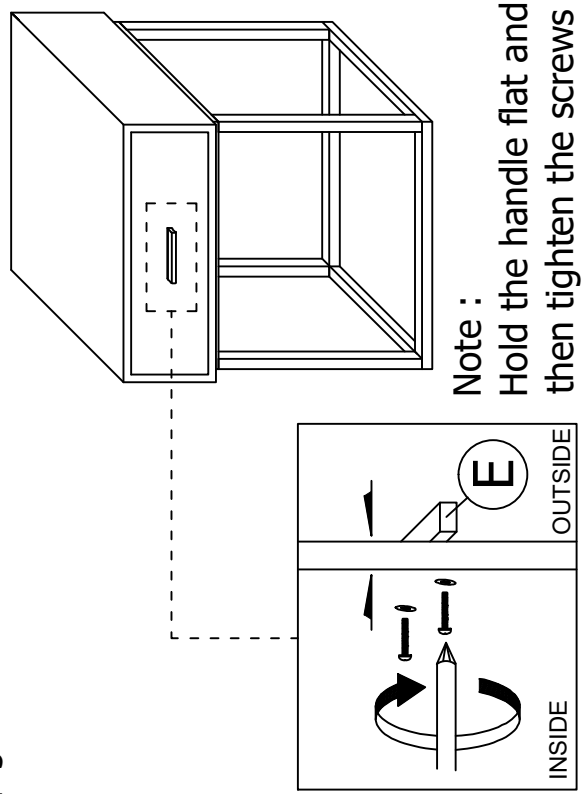
STEP 3



STEP 4



STEP 5



STEP 6

