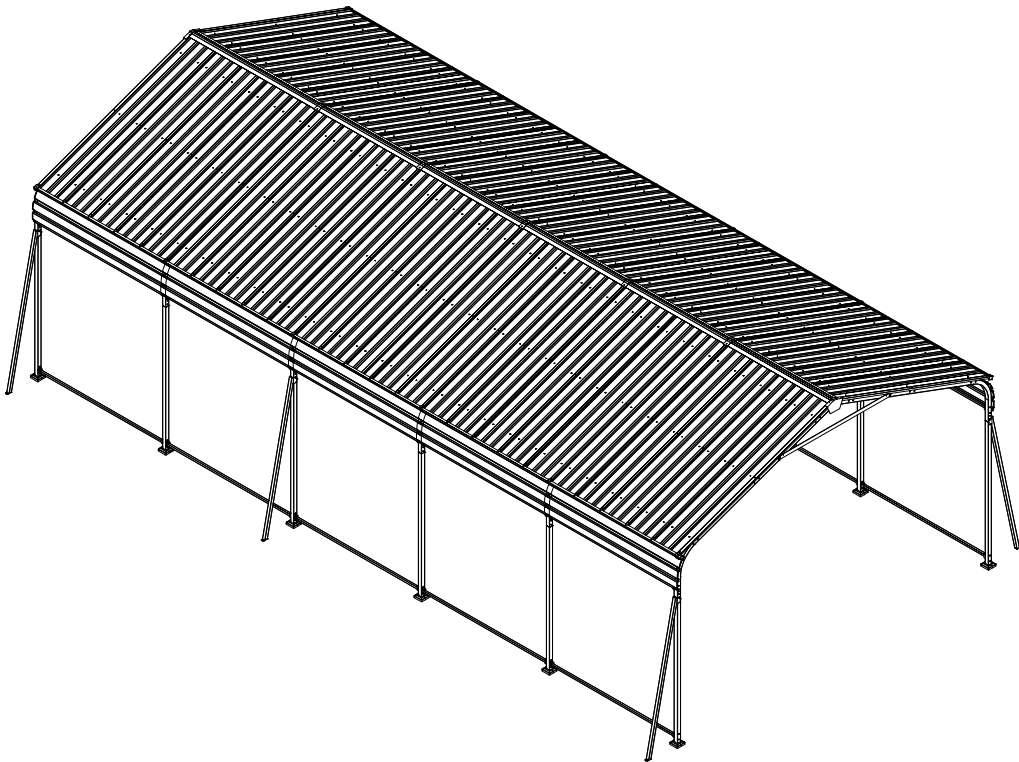
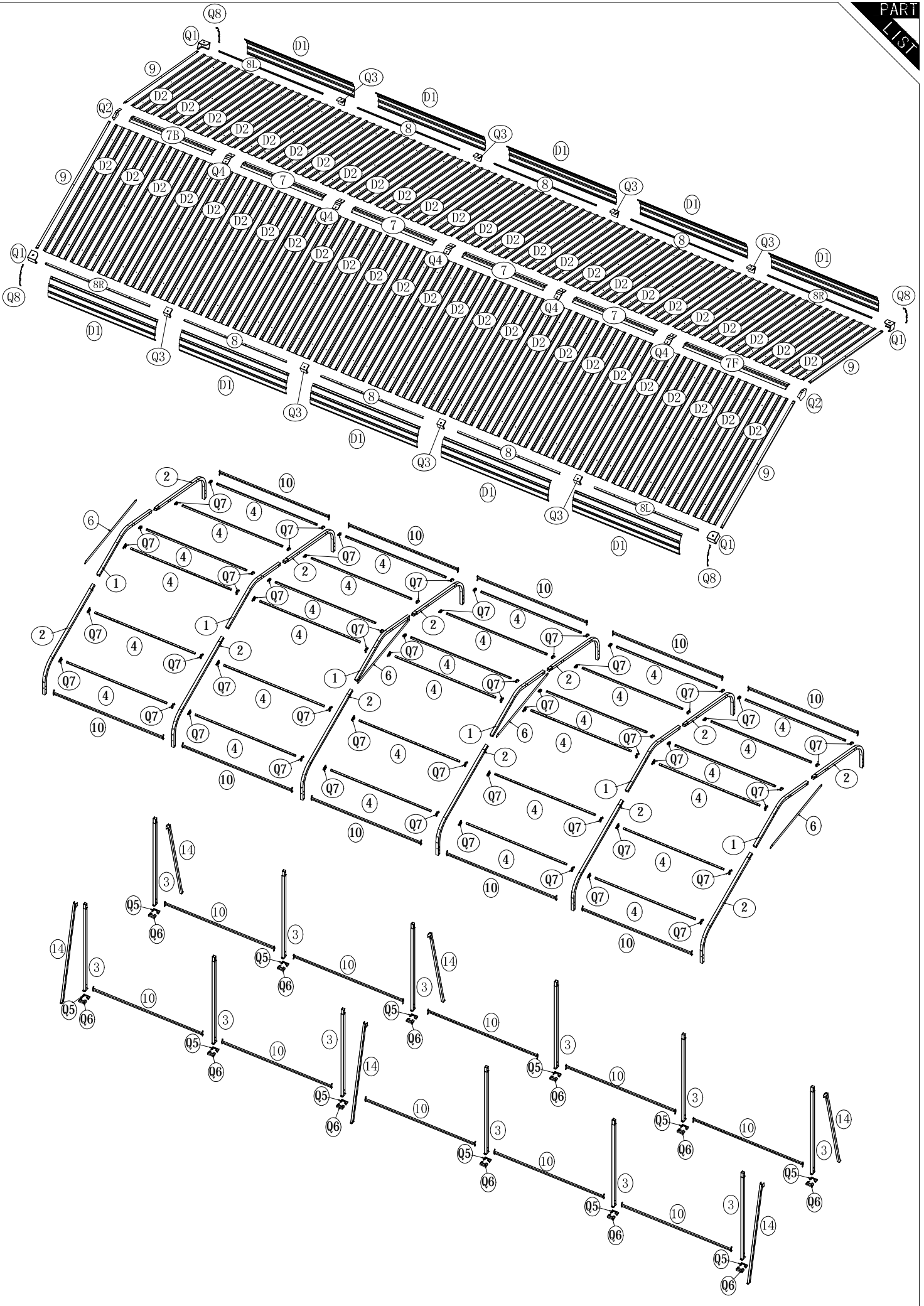


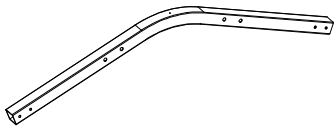






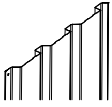
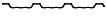

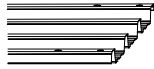


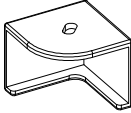

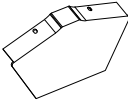

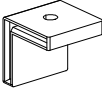

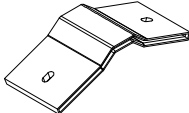

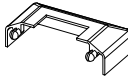

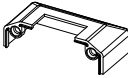
METAL CARPORT 13 × 26.5FT

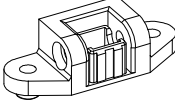

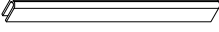


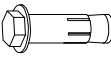
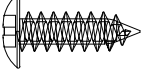

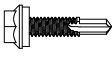
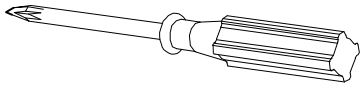


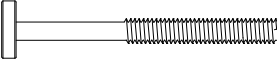
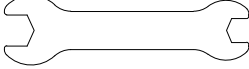
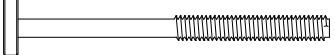
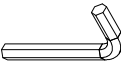
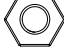
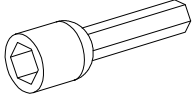
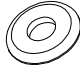
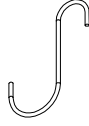
Instructions for Assembly

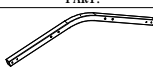


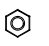



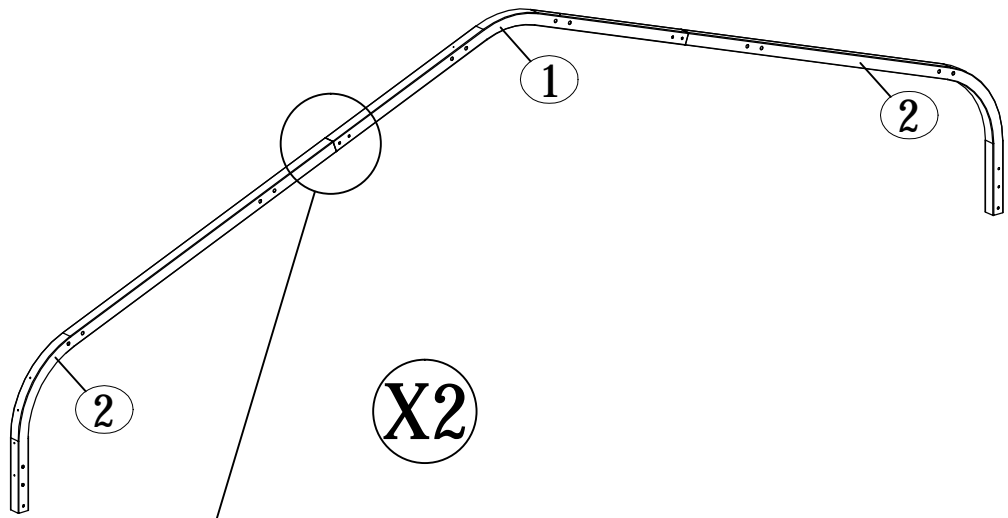
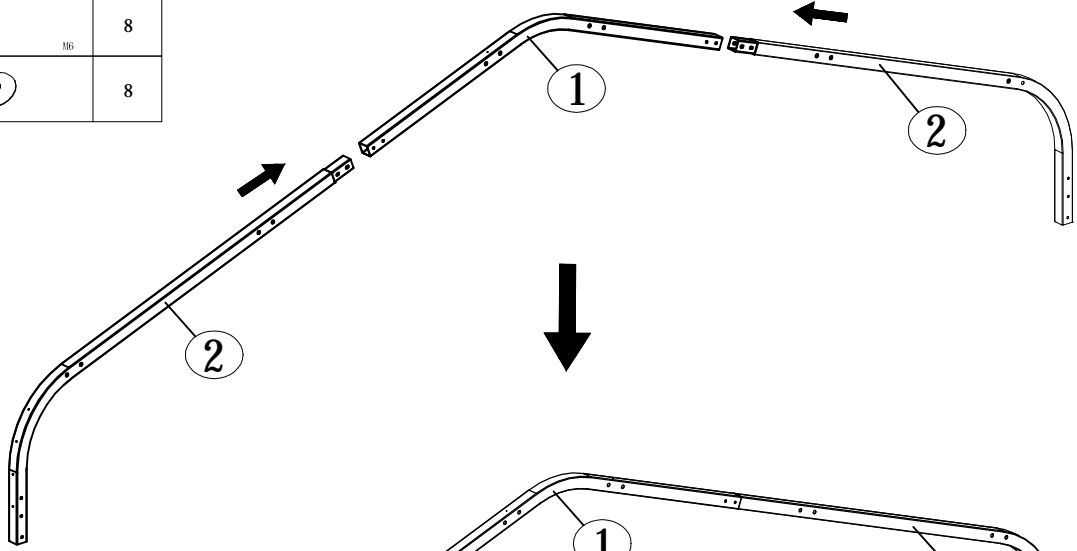
This set comes in 4 boxes. If you do not receive a full set of 4 boxes, please contact our customer service.



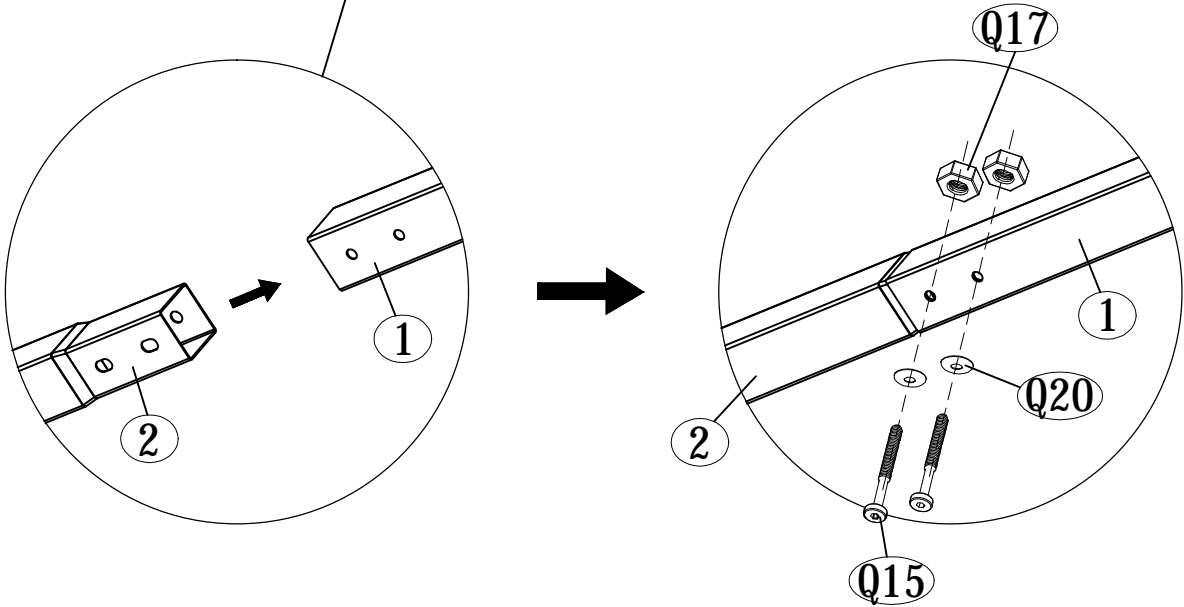
NO.	PART.	Qty.	NO.	PART.	Qty.
1		6	9	 2072mm	4
2		12	10	 1546mm	20
3	 1620mm	12	14		6
4	 1546mm	30	D1	  1650mm	10
6	 1380.5mm	4	D2	  2064mm	50
7	 1256mm	4	Q1		4
7F	 1274mm	1	Q2		2
7B	 1592mm	1	Q3		8
8	 1574mm	6	Q4		5
8L	 1604.5mm	2	Q5		12
8R	 1604.5mm	2	Q6		12

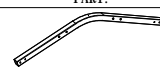
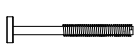
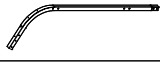
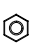
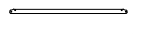

NO.	PART.	Qty.	NO.	PART.	Qty.
Q7		60	Q19		252+10
Q8	 420mm	4	Q20		156+10
Q9		168	Q21	 M8x50mm	30
Q32	 M4x14mm	260+10	Q22		2
Q13	 M5x16mm	300+10	Q23		1
Q14	 M6x38mm	60+3	Q24		1
Q15	 M6x55mm	108+3	Q25		1
Q16	 M6x65mm	48+2	Q26		1
Q17	 M6	216+5	Q27		1
Q18		260+10	Q28		3

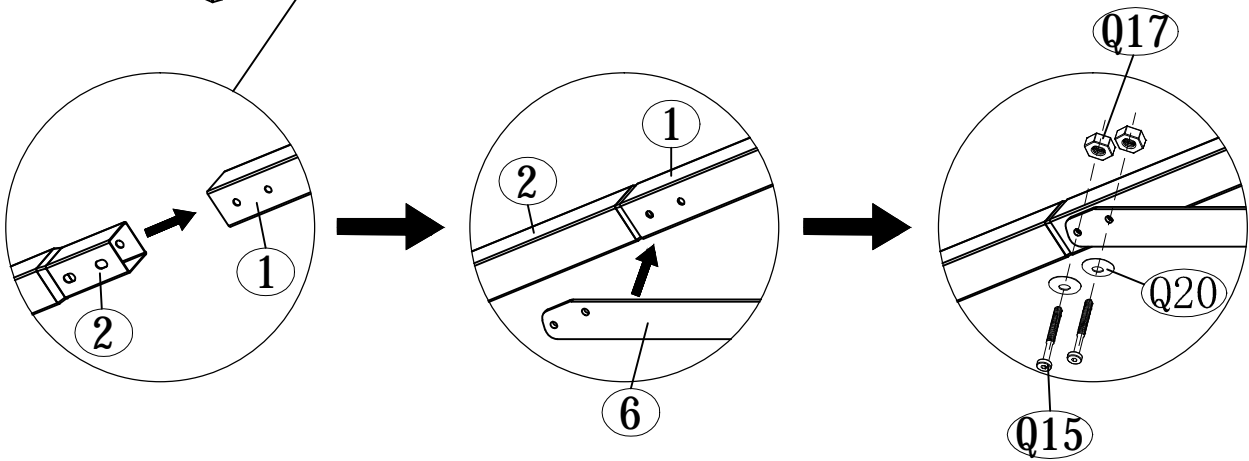
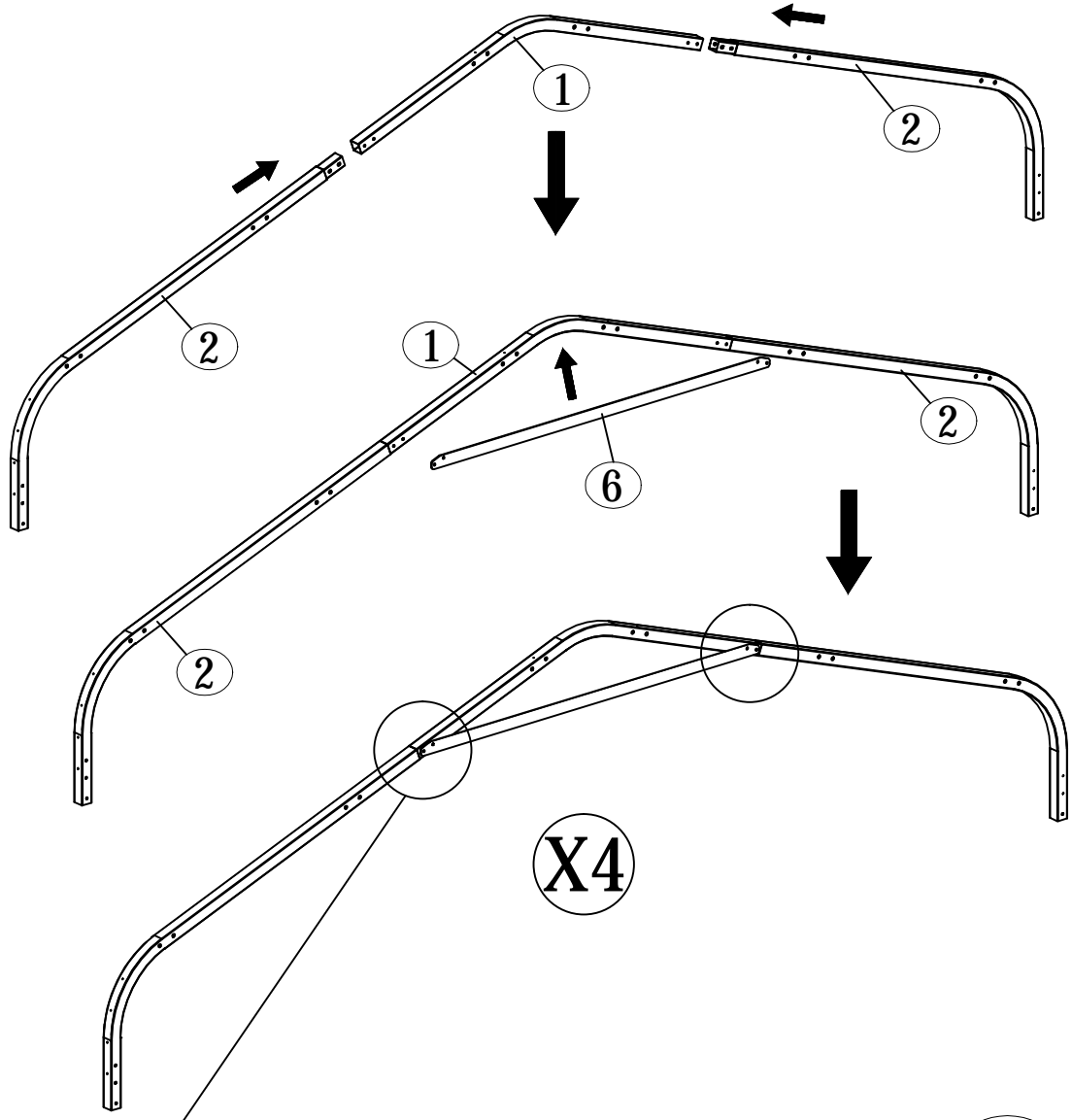
NO.	PART.	Qty.
1		2
2		4
Q15	 M6x55mm	8
Q17	 M6	8
Q20		8


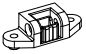




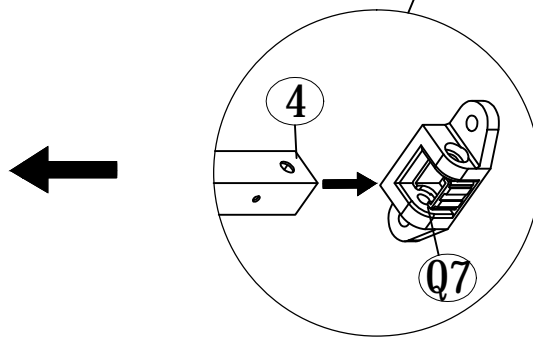
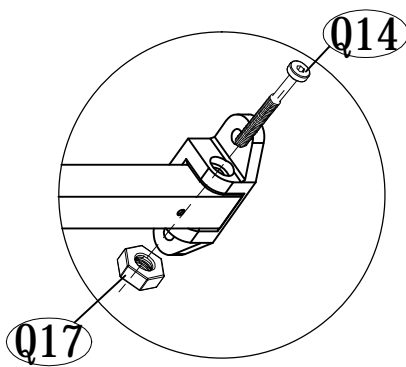
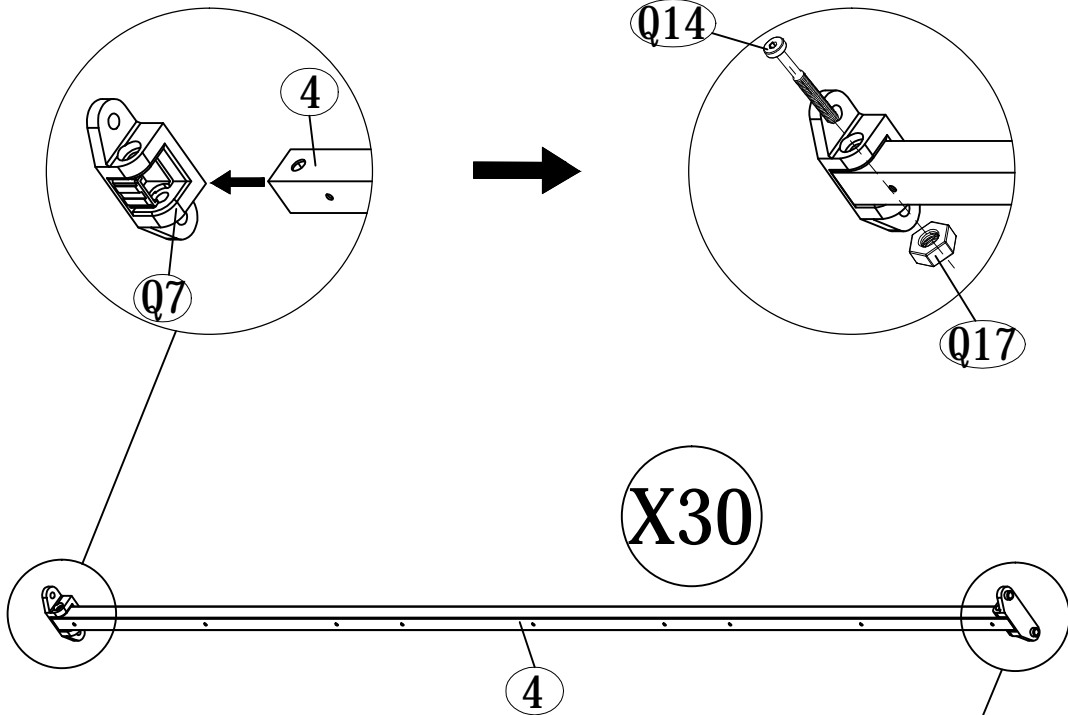
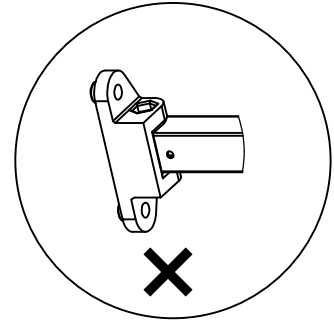
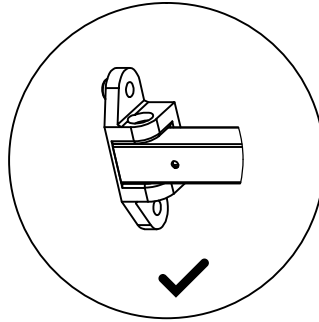
X2







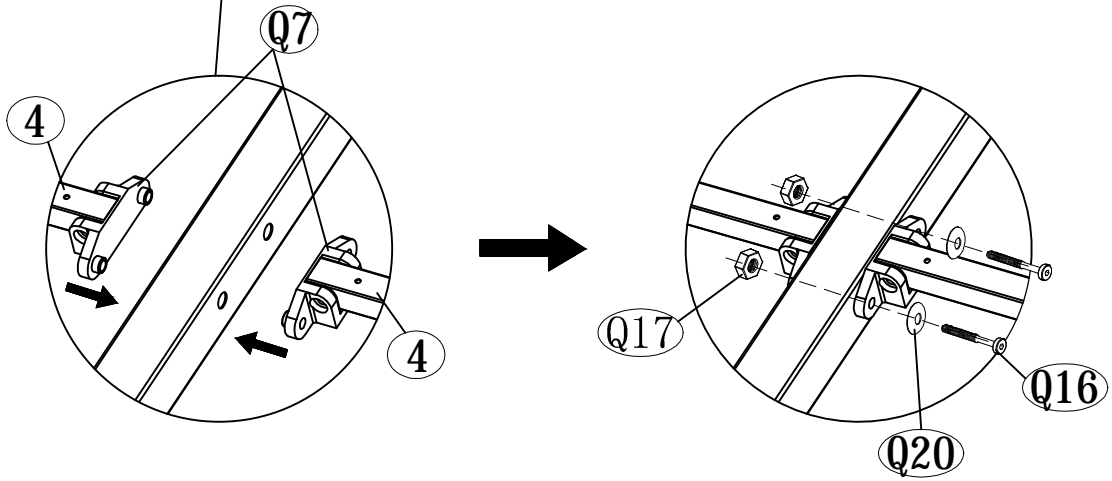
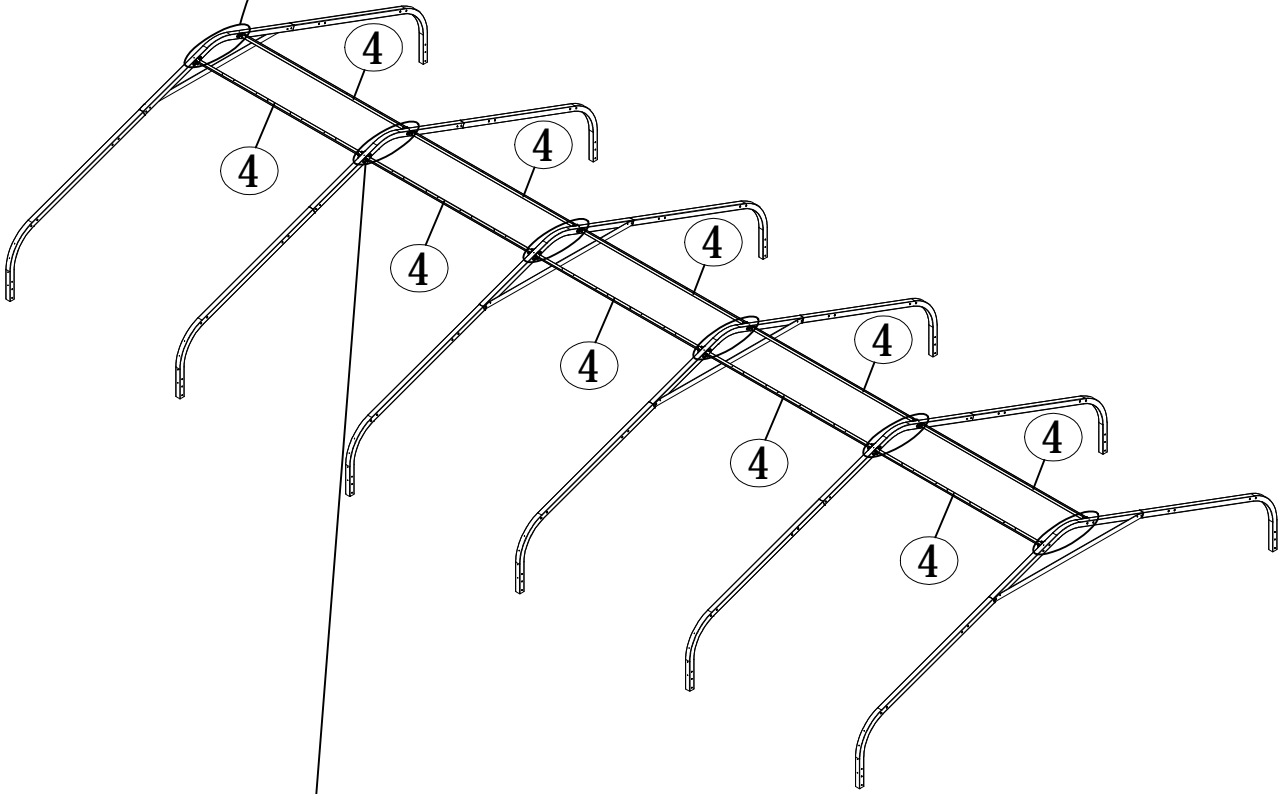
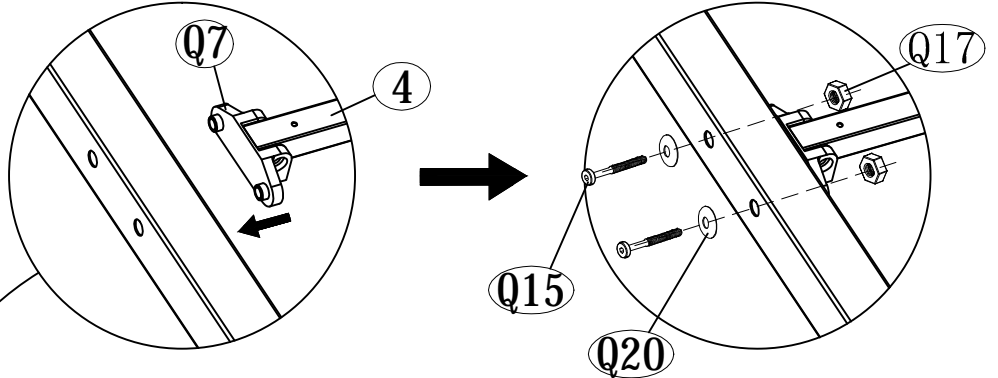
NO.	PART.	Qty.	NO.	PART.	Qty.
1		4	Q15	 M5x55mm	16
2		8	Q17	 M6	16
6	 1380, 5mm	4	Q20		16







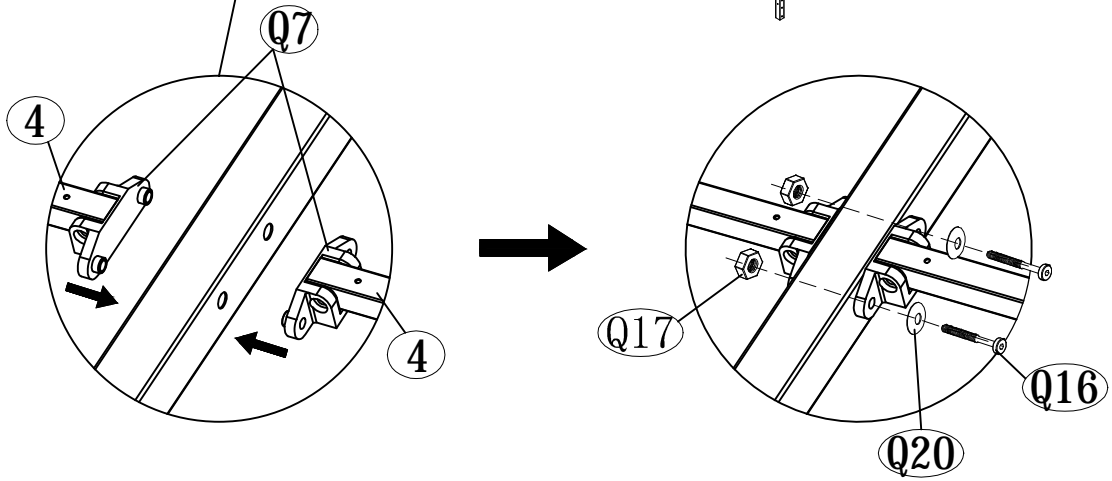
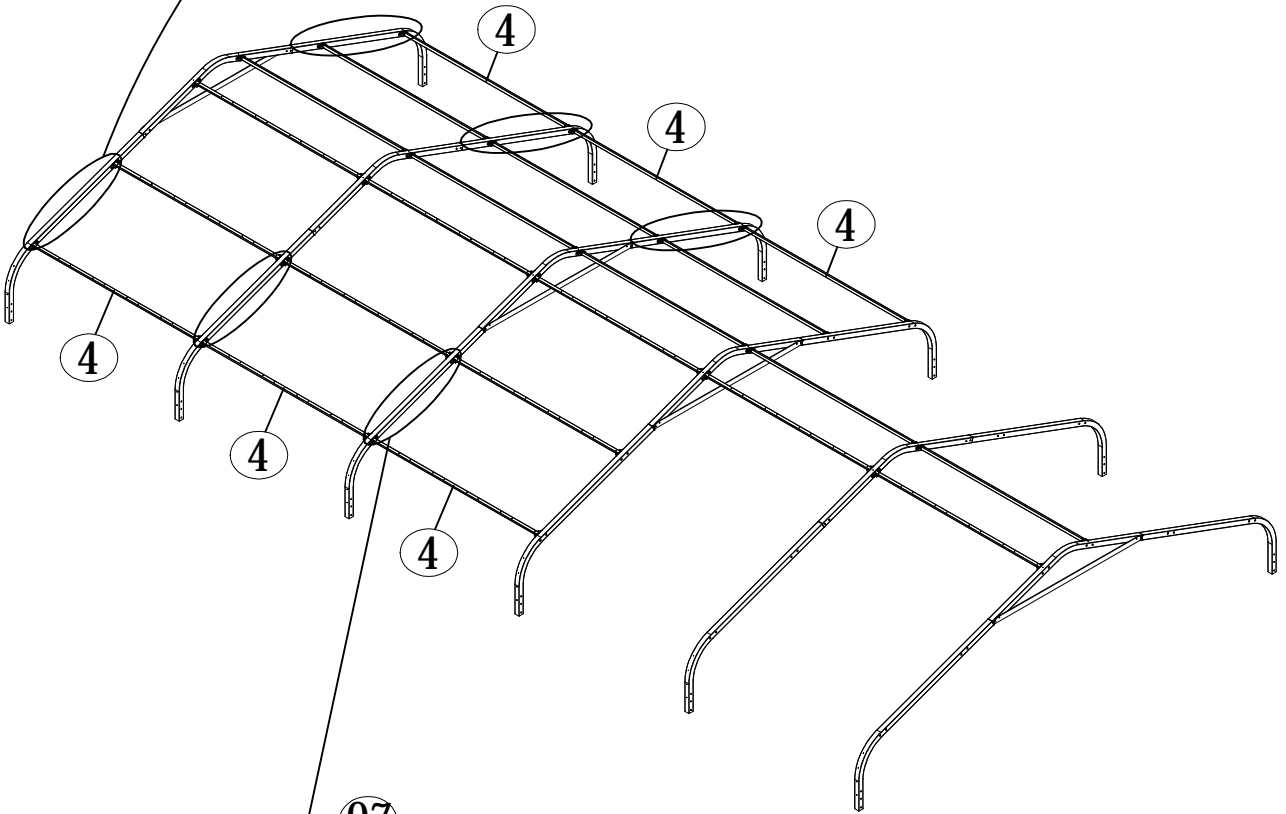
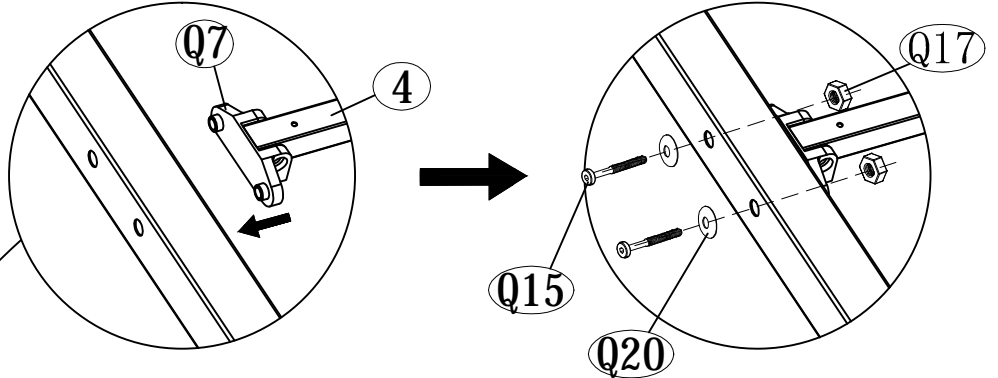
NO.	PART.	Qty.
4	 1546mm	30
Q7		60
Q14	 M6 x 40mm	60
Q17	 M6	60

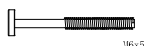





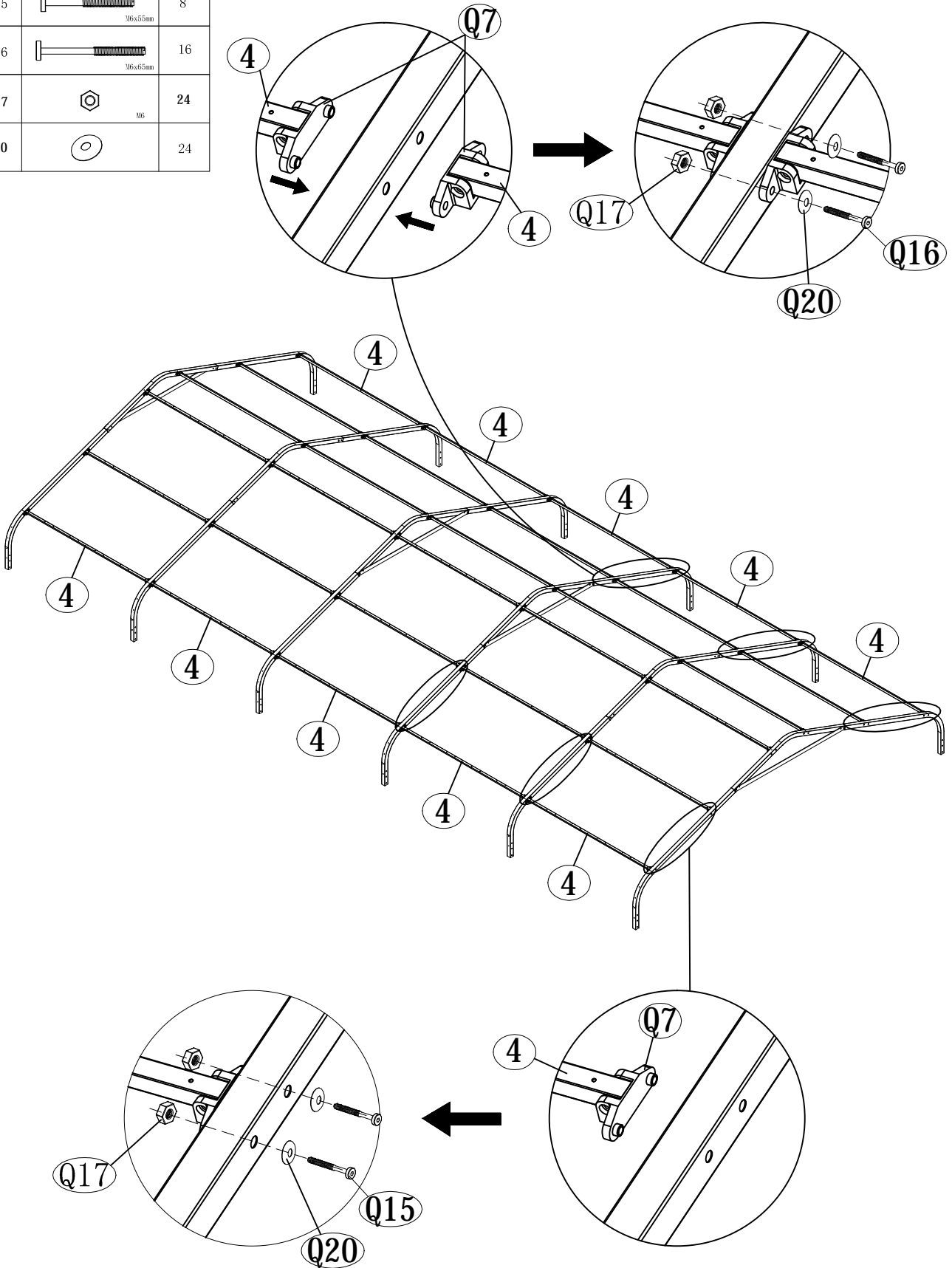
NO.	PART.	Qty.
Q15	 3/6x65mm	8
Q16	 3/6x65mm	16
Q17	 M6	24
Q20		24







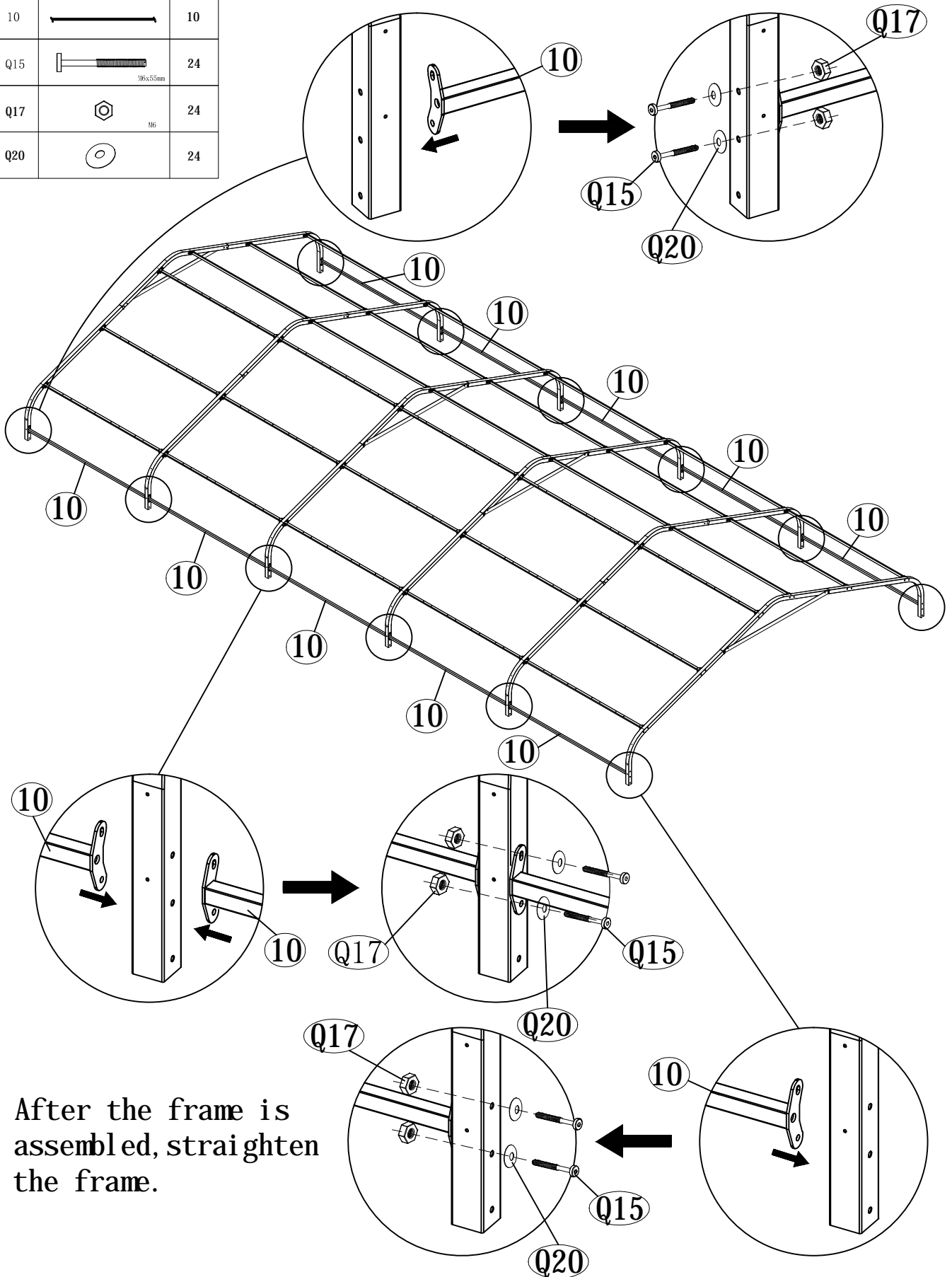
NO.	PART.	Qty.
Q15	 3/6x65mm	8
Q16	 3/6x65mm	16
Q17	 M6	24
Q20		24

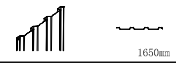



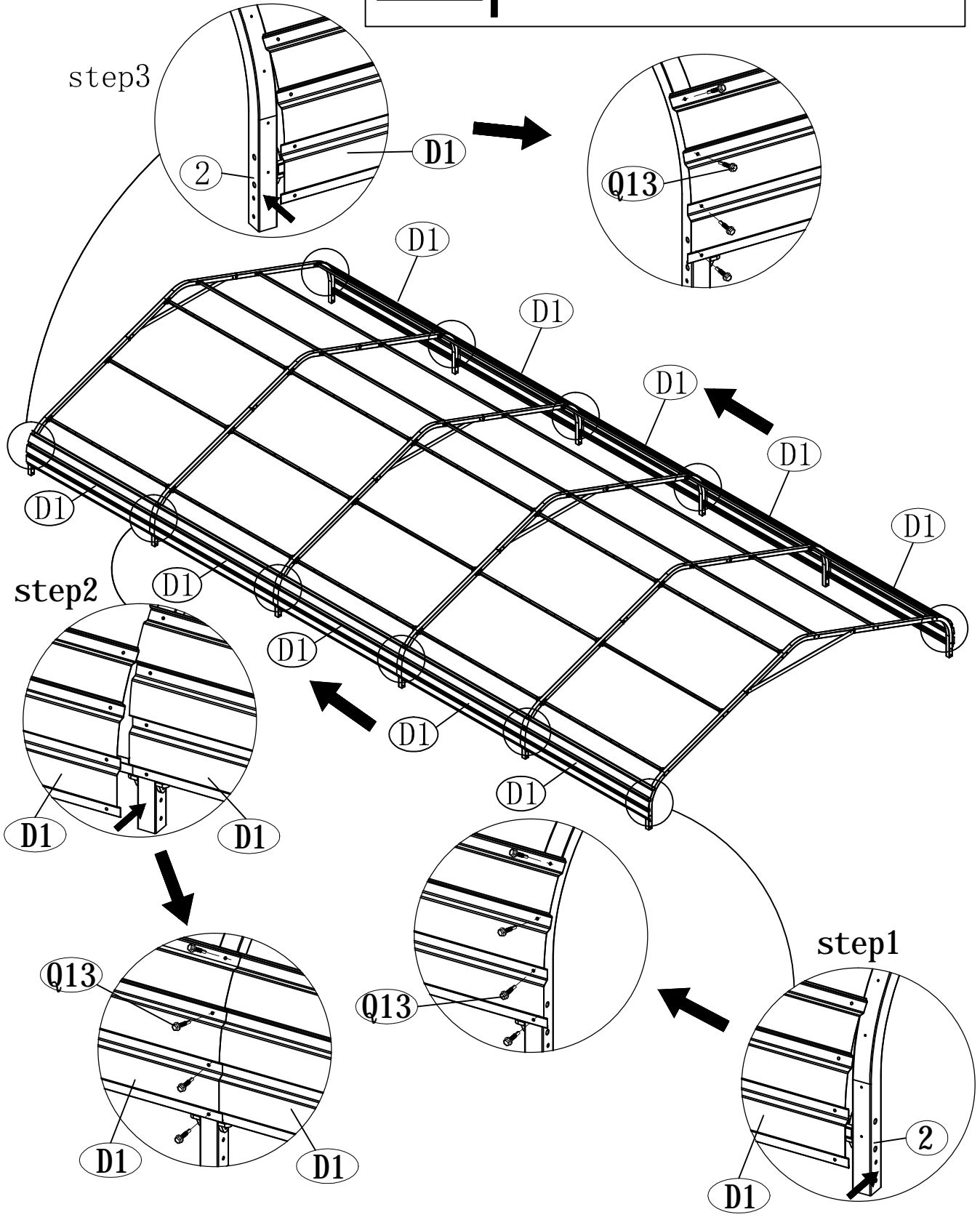
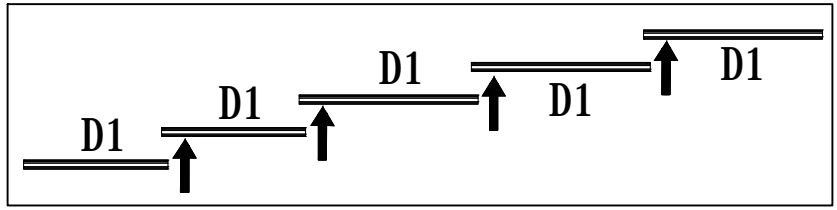
NO.	PART.	Qty.
Q15	 3/6x65mm	8
Q16	 3/6x65mm	16
Q17	 M6	24
Q20		24






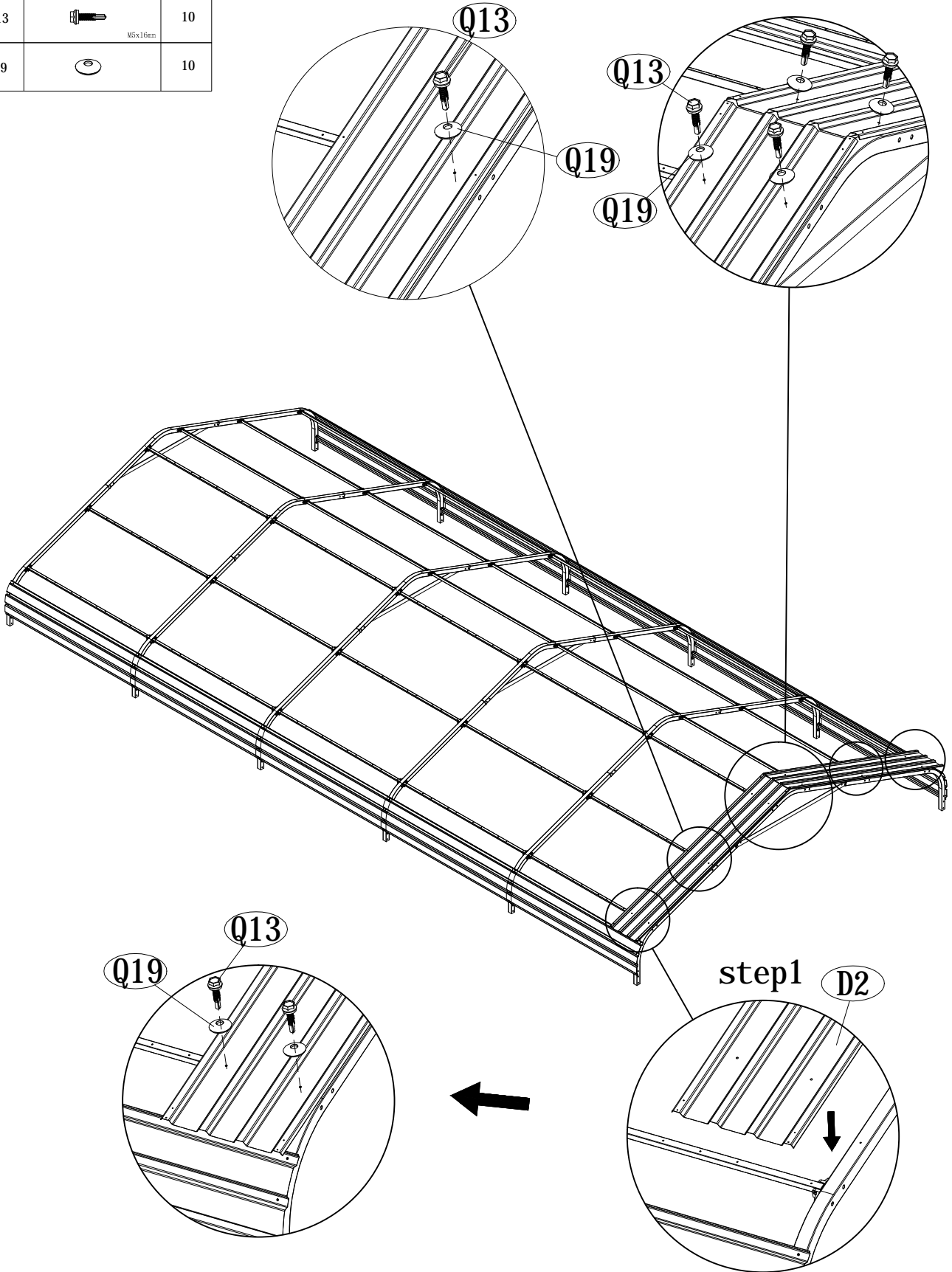
NO.	PART.	Qty.
10		10
Q15	 3/6x55mm	24
Q17	 M6	24
Q20		24



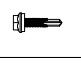




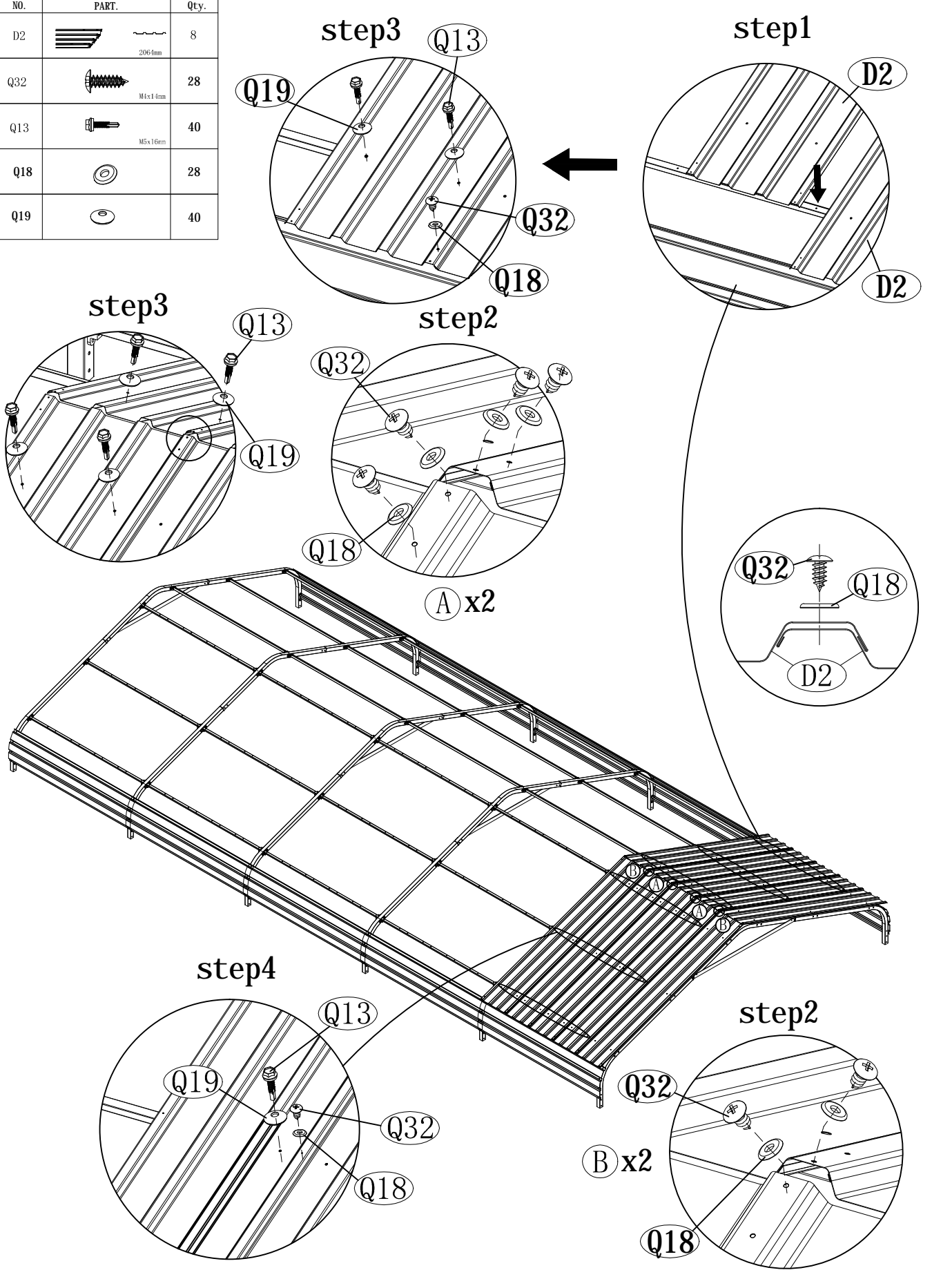
NO.	PART.	Qty.
D1	 1650mm	10
Q13	 M5 x 16mm	48






NO.	PART.	Qty.
D2	 2064mm	2
Q13	 M5 x 16mm	10
Q19		10

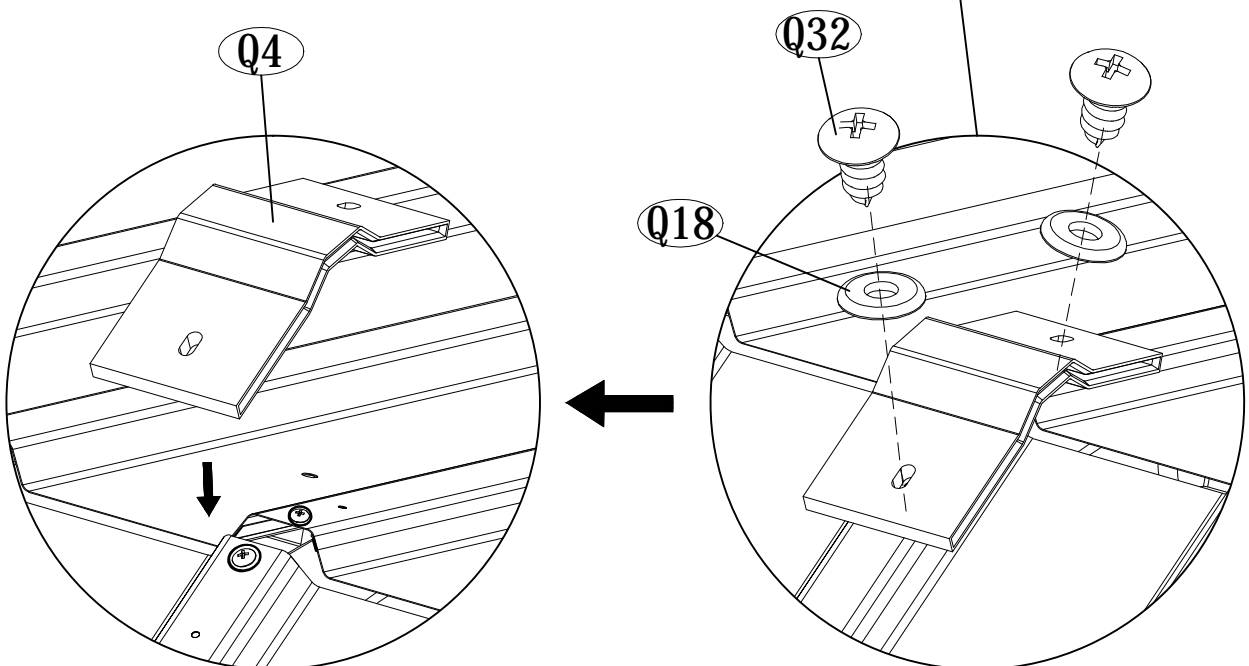
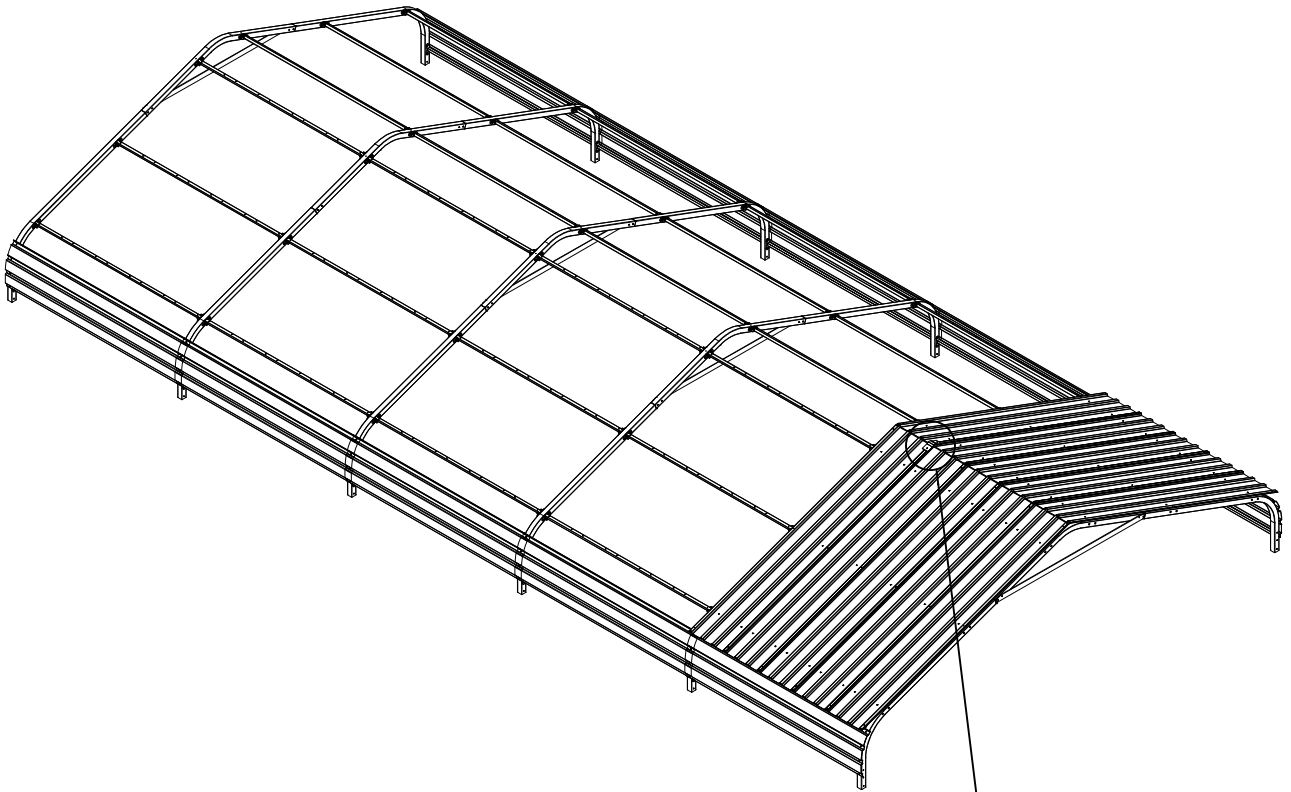







NO.	PART.	Qty.
D2	 206mm	8
Q32	 M4 x 4mm	28
Q13	 M5 x 16mm	40
Q18		28
Q19		40

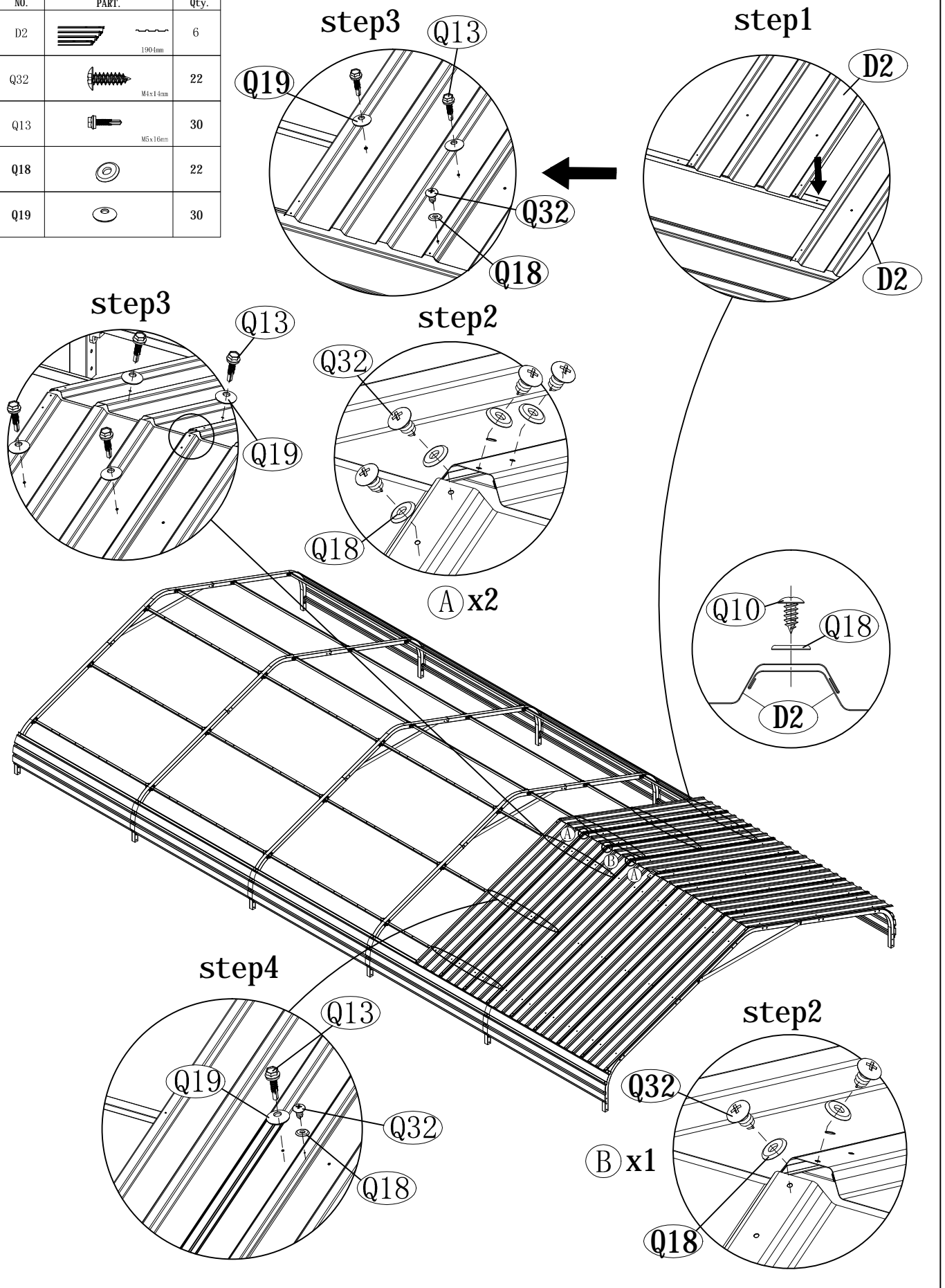





NO.	PART.	Qty.
Q32	 M4 x 4mm	2
Q18		2
Q4		1

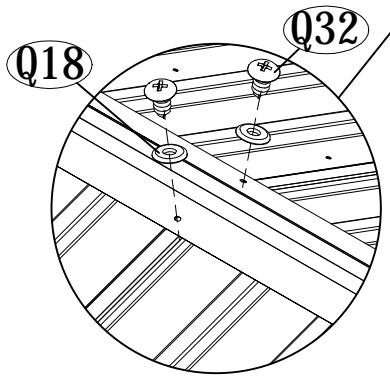
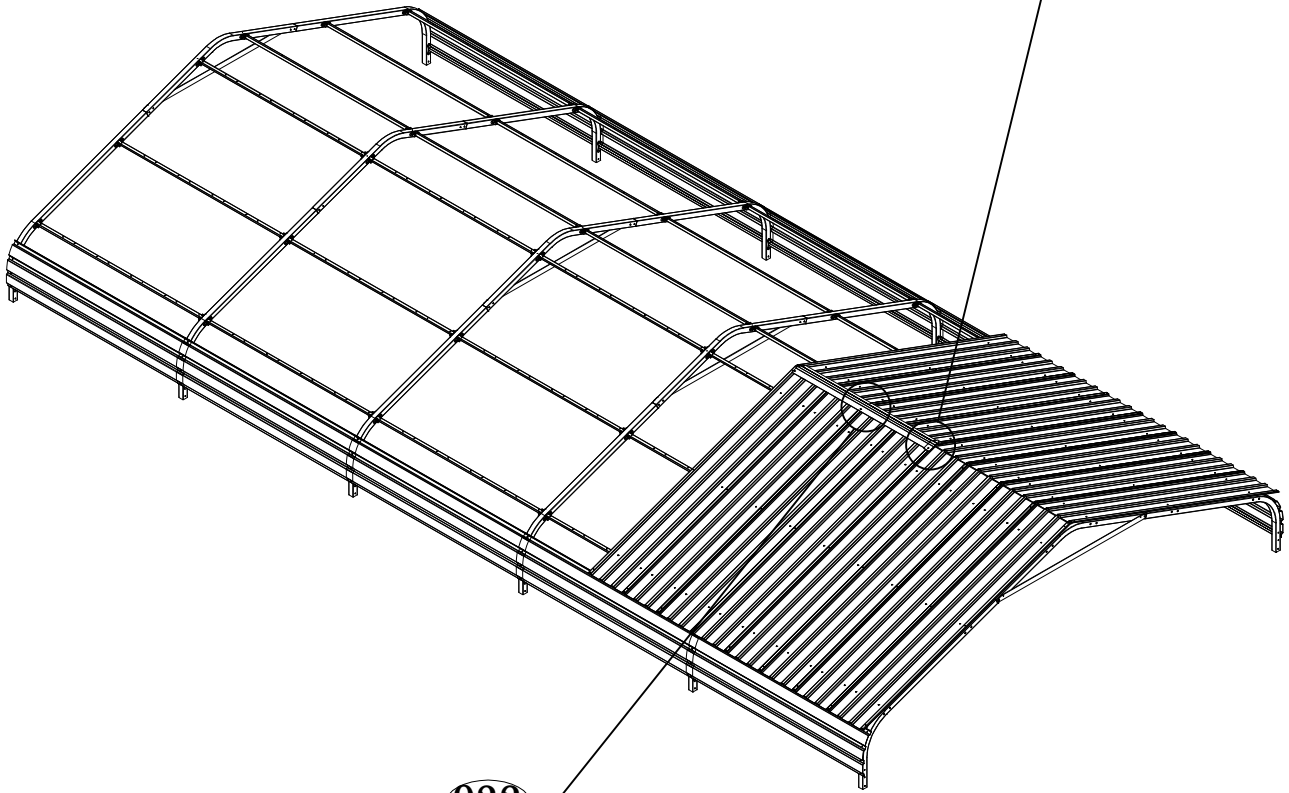
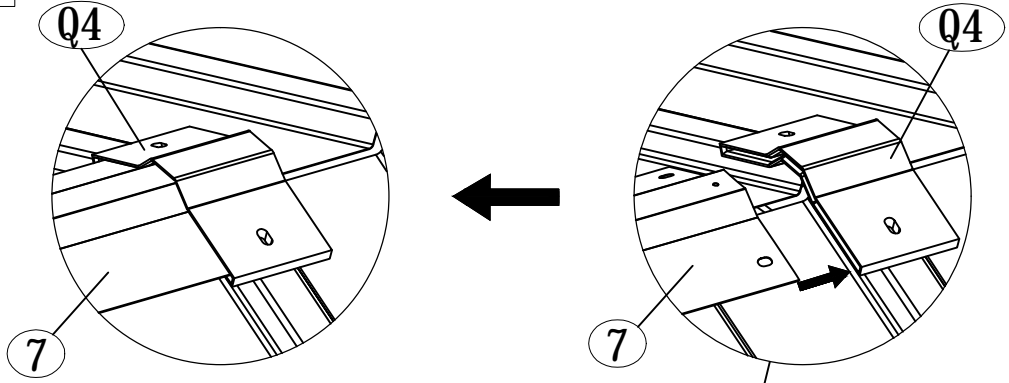
Install plastic Q4 between the 4th and 5th pieces


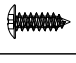
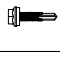




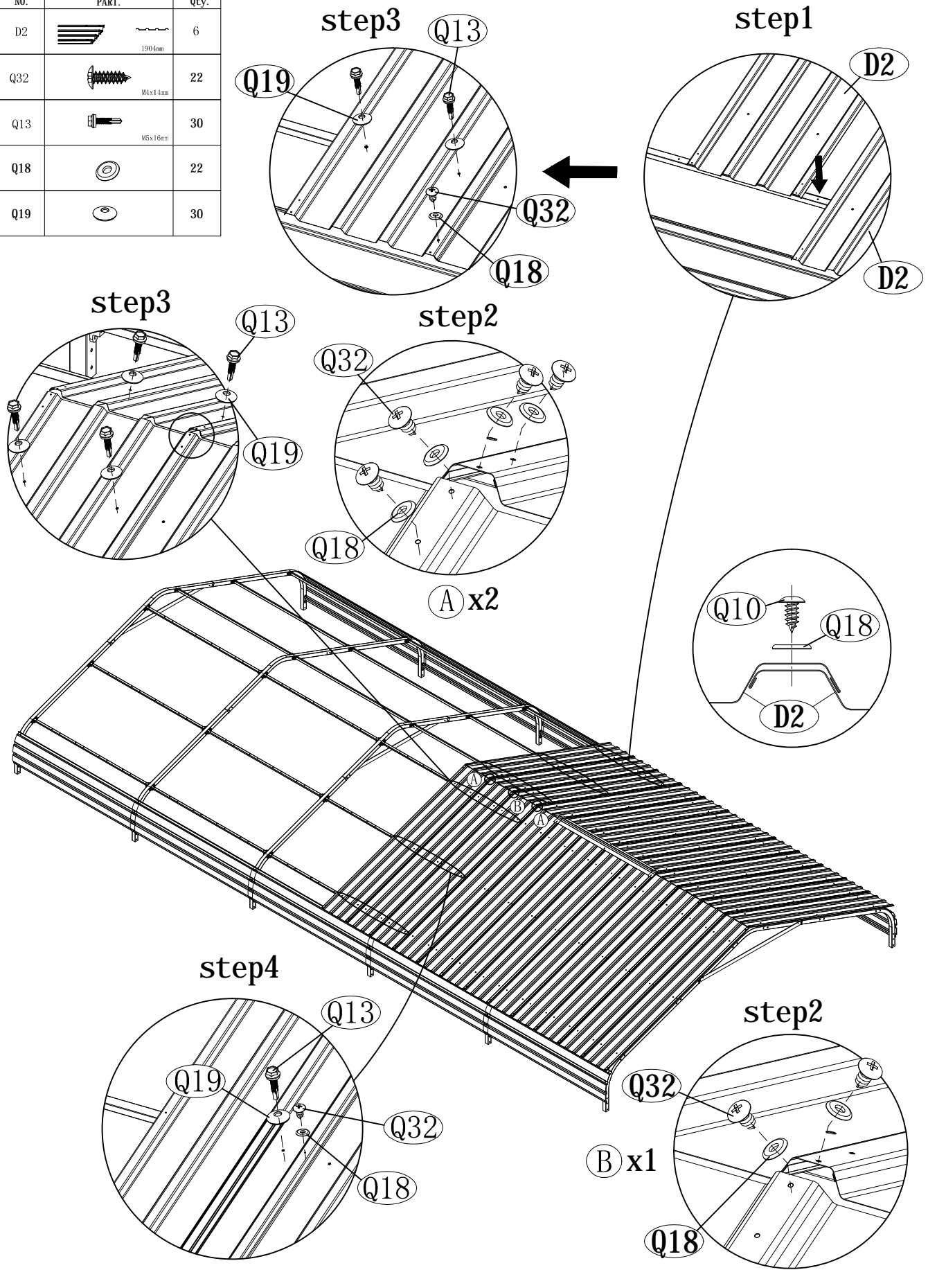
NO.	PART.	Qty.
D2	 190mm	6
Q32	 M4x1.5mm	22
Q13	 M5x1.6mm	30
Q18		22
Q19		30






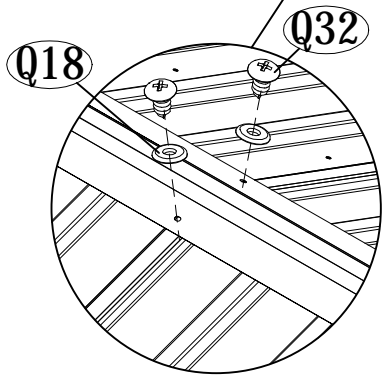
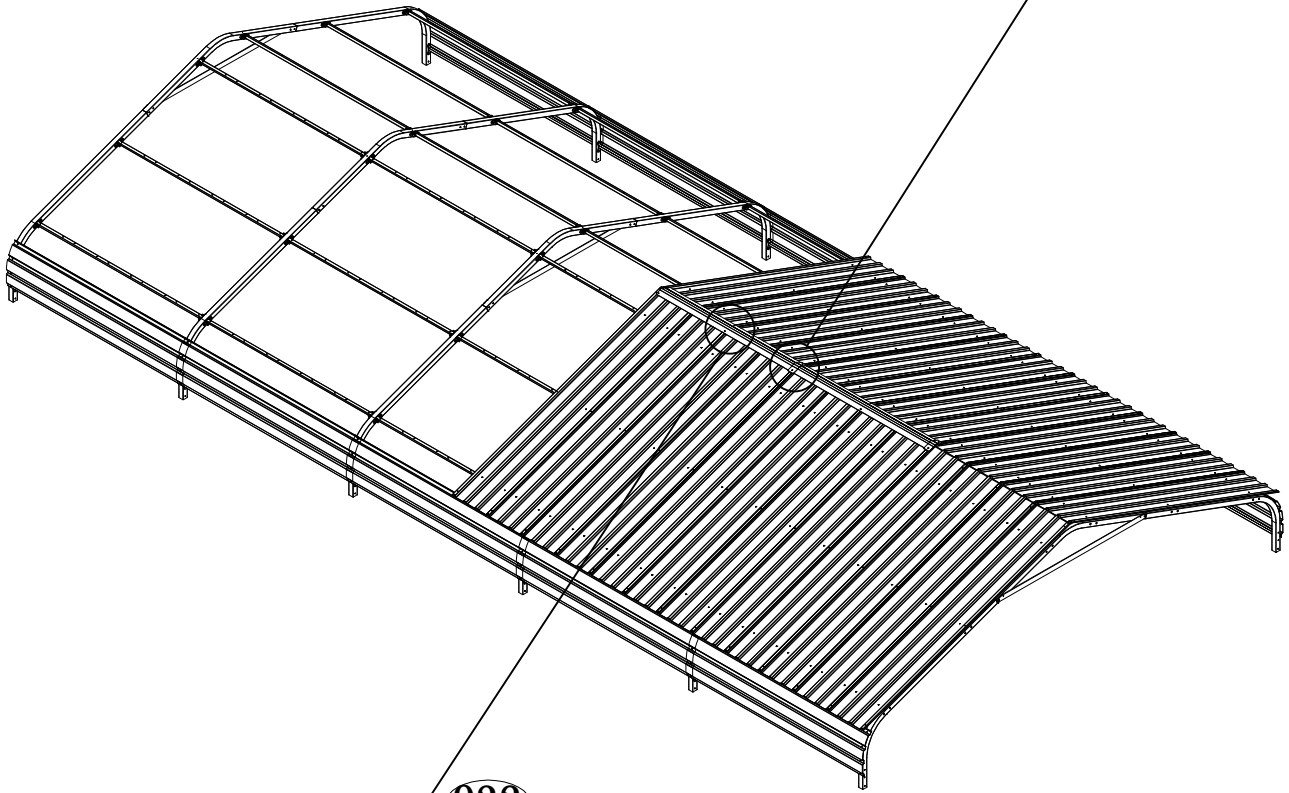
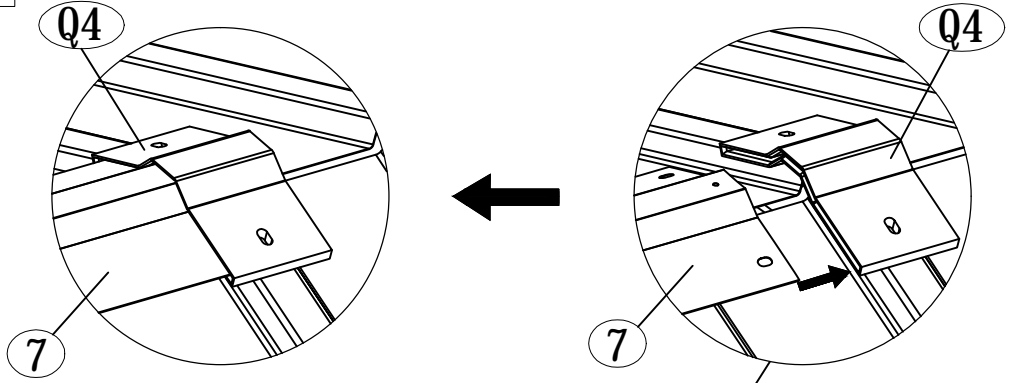
NO.	PART.	Qty.
7	 1256mm	1
Q32	 M4 x 1.5mm	2
Q18		2









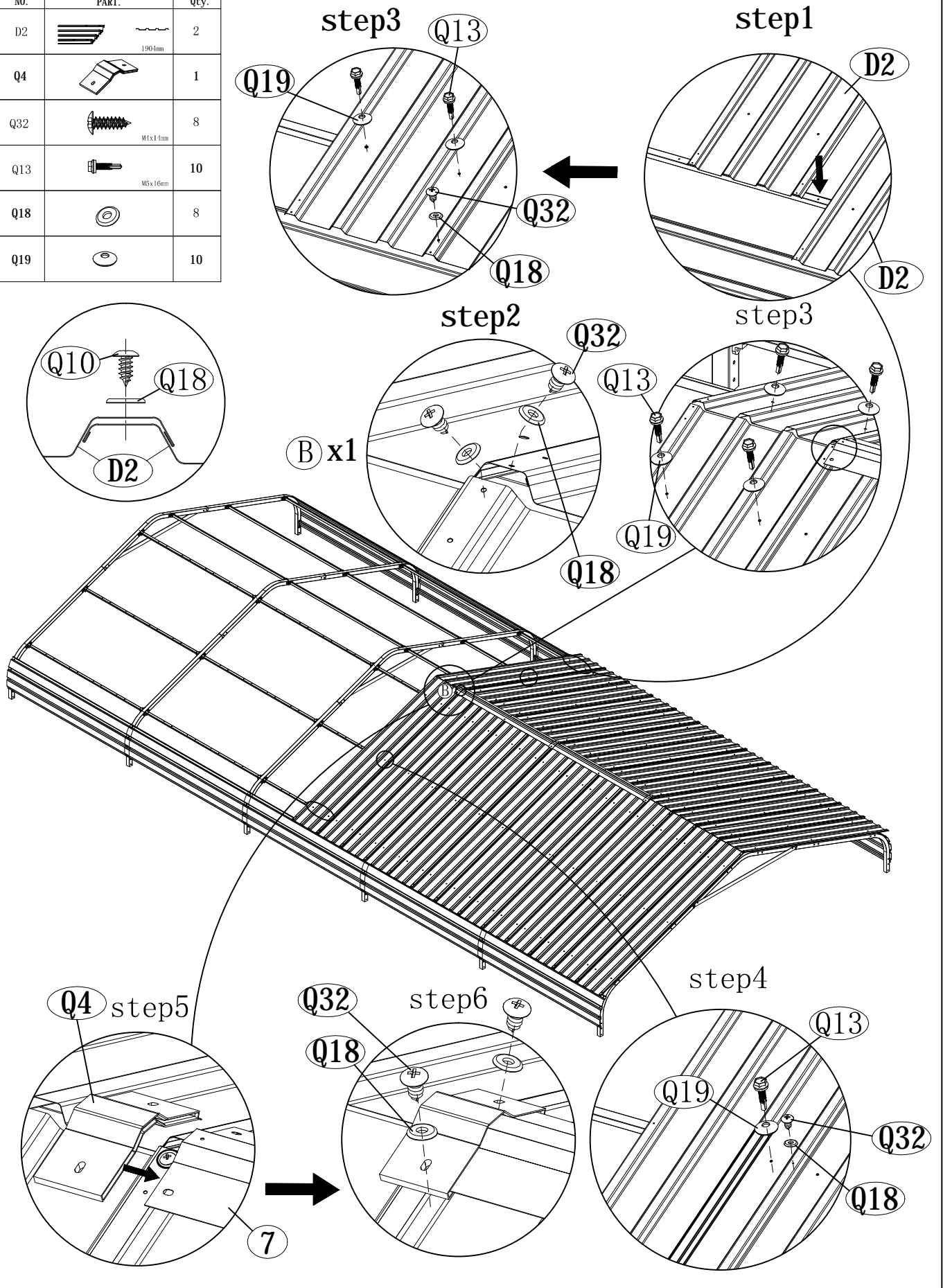
NO.	PART.	Qty.
D2	 190mm	6
Q32	 M4 x 4mm	22
Q13	 M5 x 16mm	30
Q18		22
Q19		30



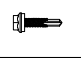




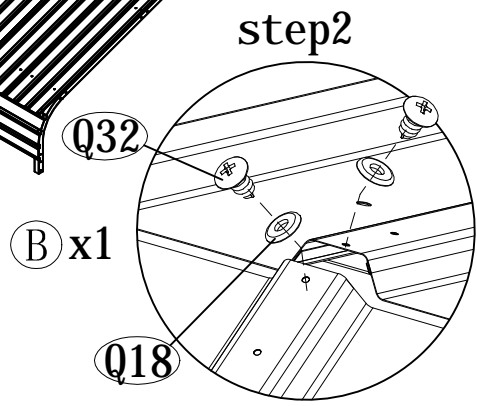
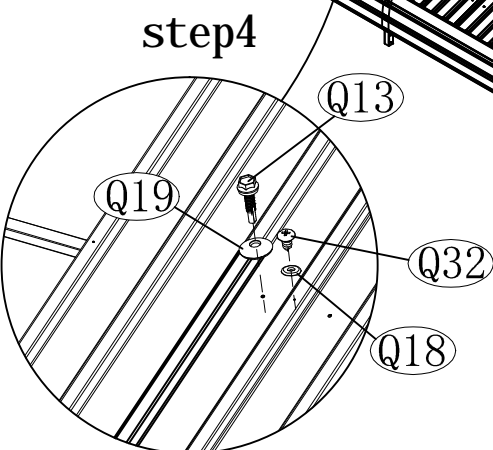
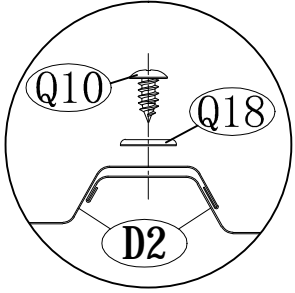
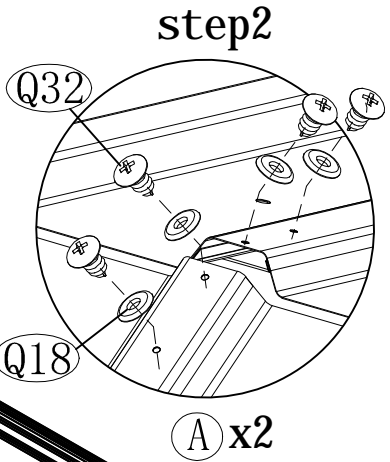
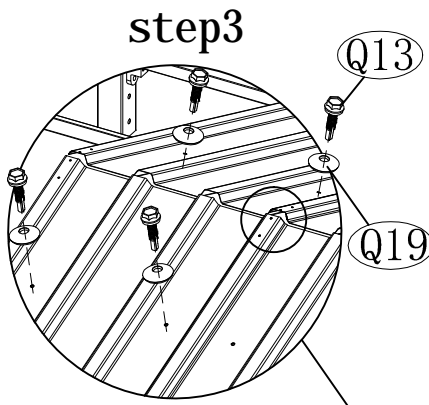
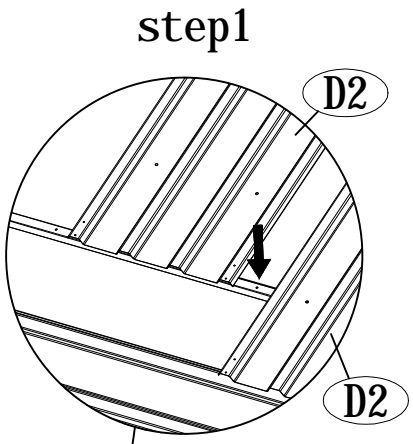
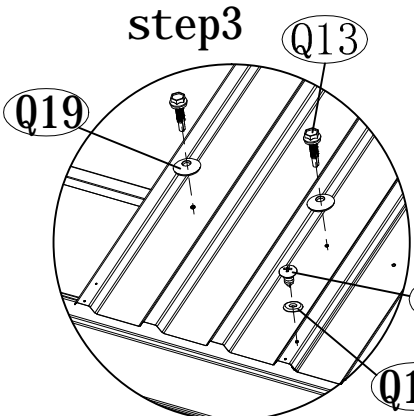
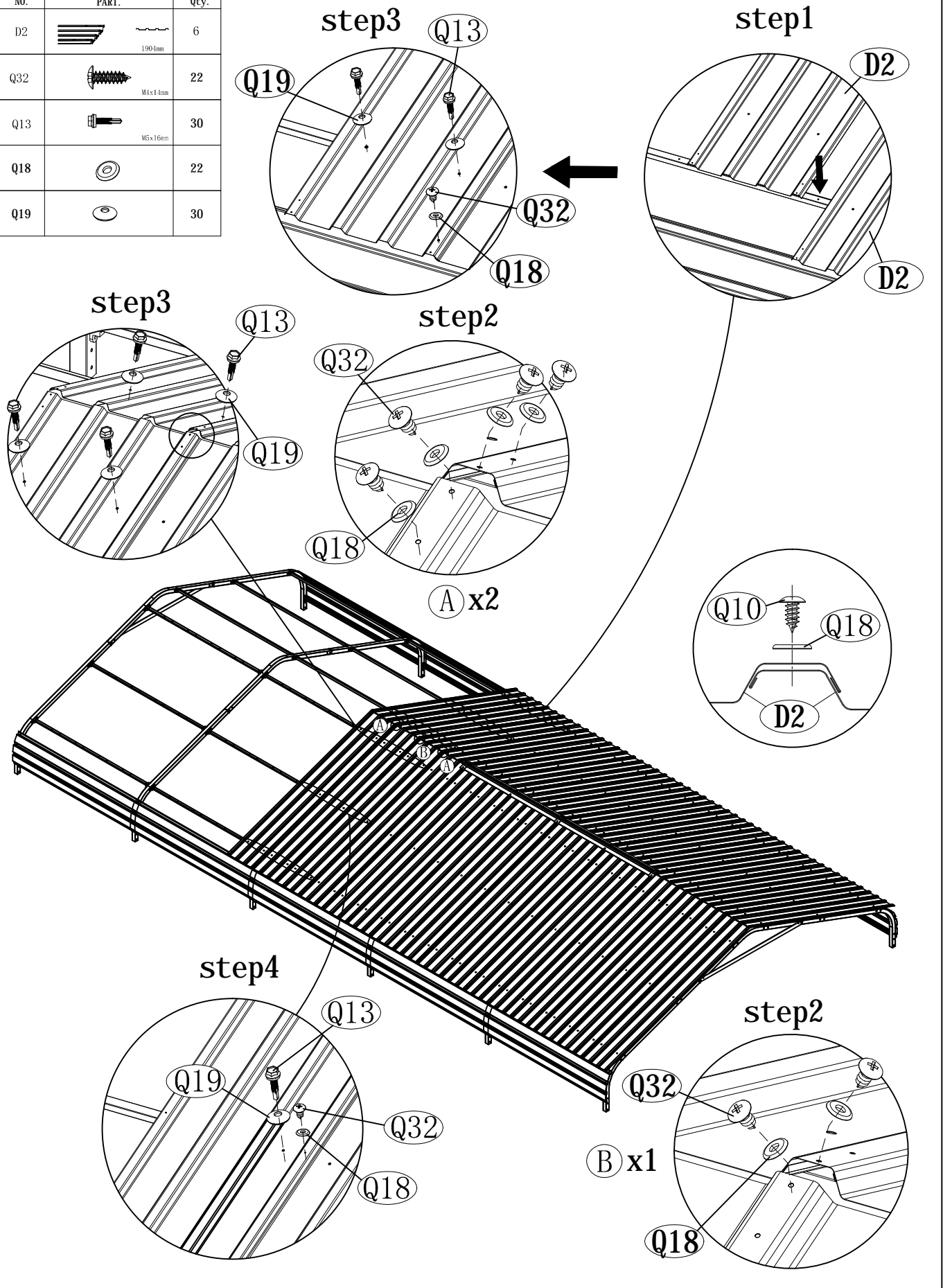
NO.	PART.	Qty.
7	 1256mm	1
Q32	 M1x1.5mm	2
Q18		2






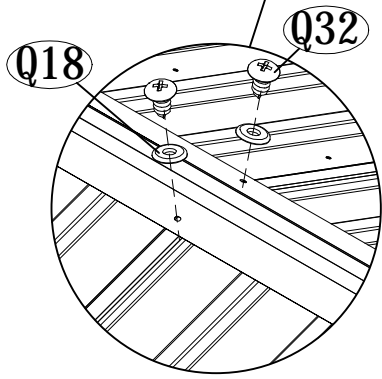
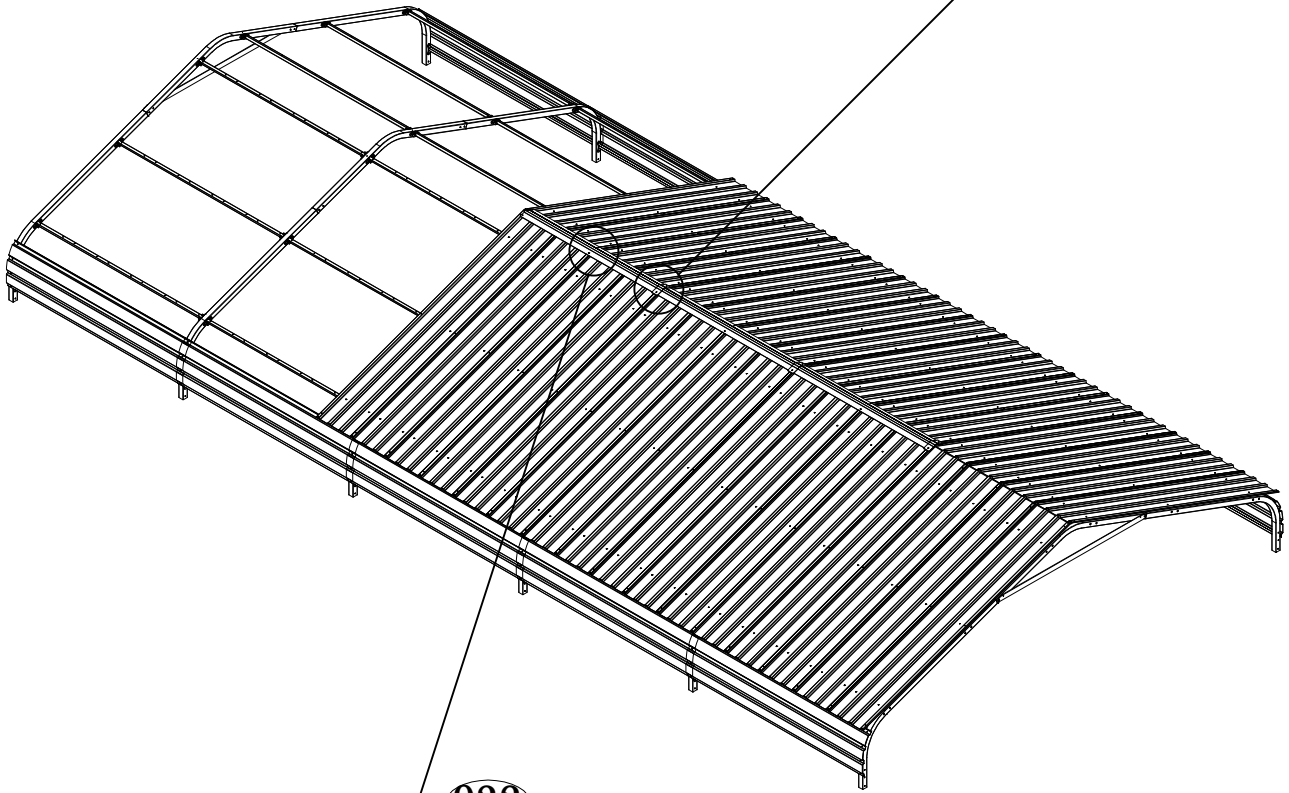
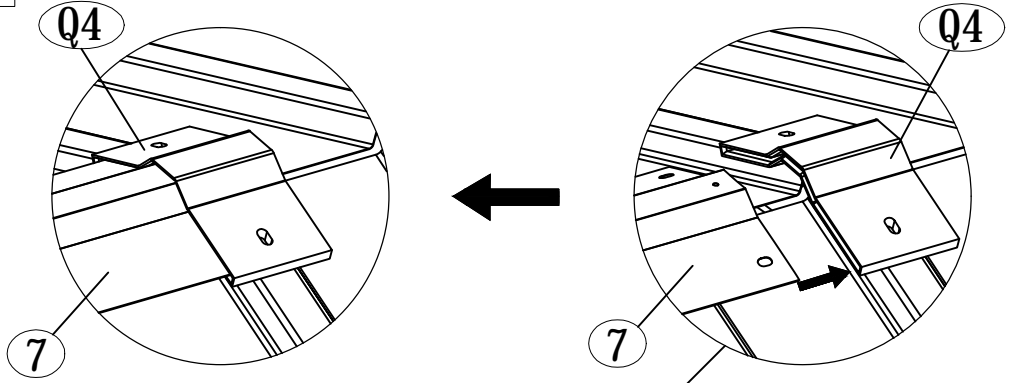
NO.	PART.	Qty.
D2	 190mm	2
Q4		1
Q32	 M1 x 1.5mm	8
Q13	 M5 x 1.6mm	10
Q18		8
Q19		10


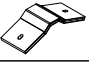






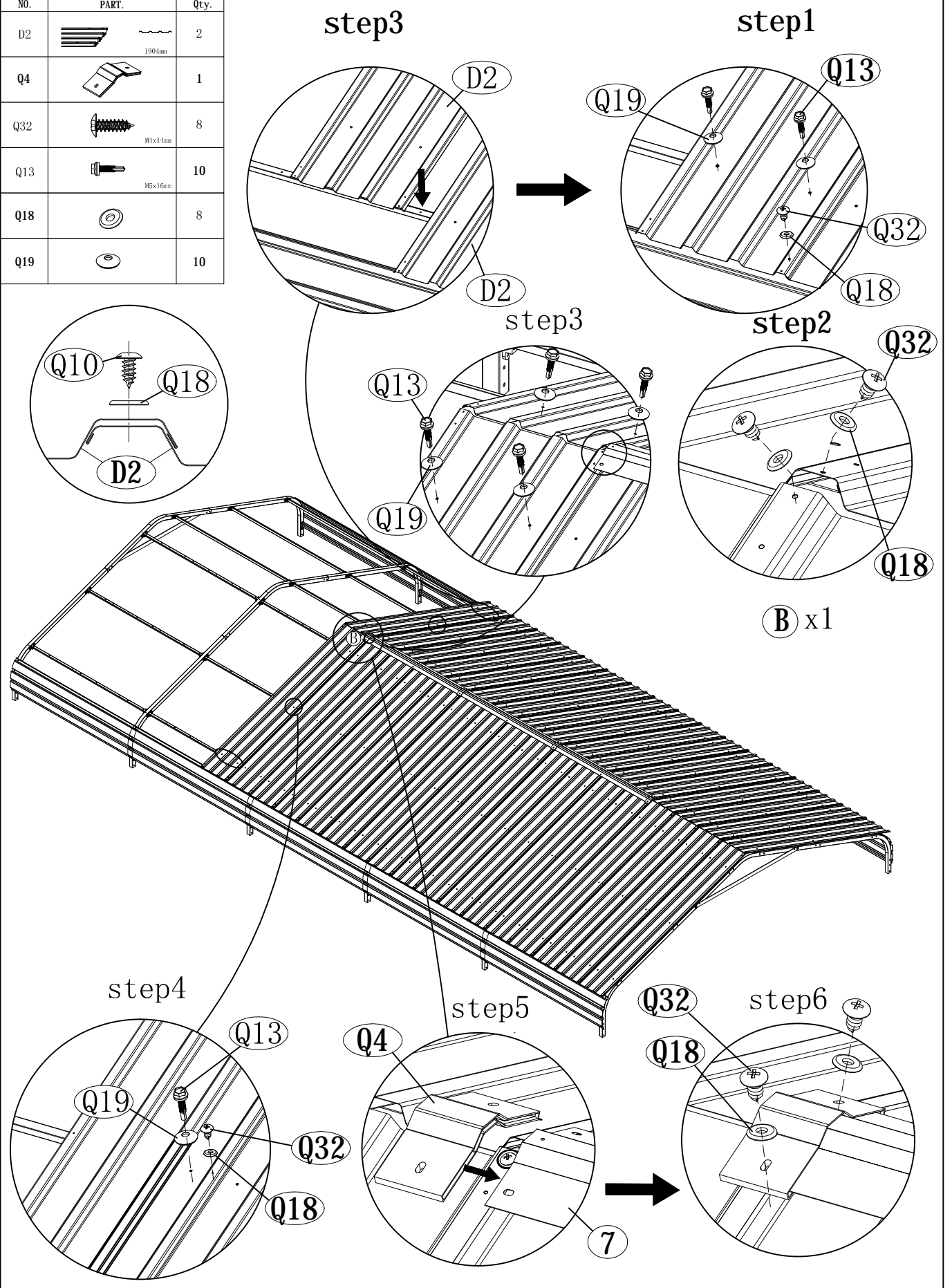
NO.	PART.	Qty.
D2	 190mm	6
Q32	 M4 x 4mm	22
Q13	 M5 x 16mm	30
Q18		22
Q19		30



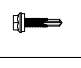




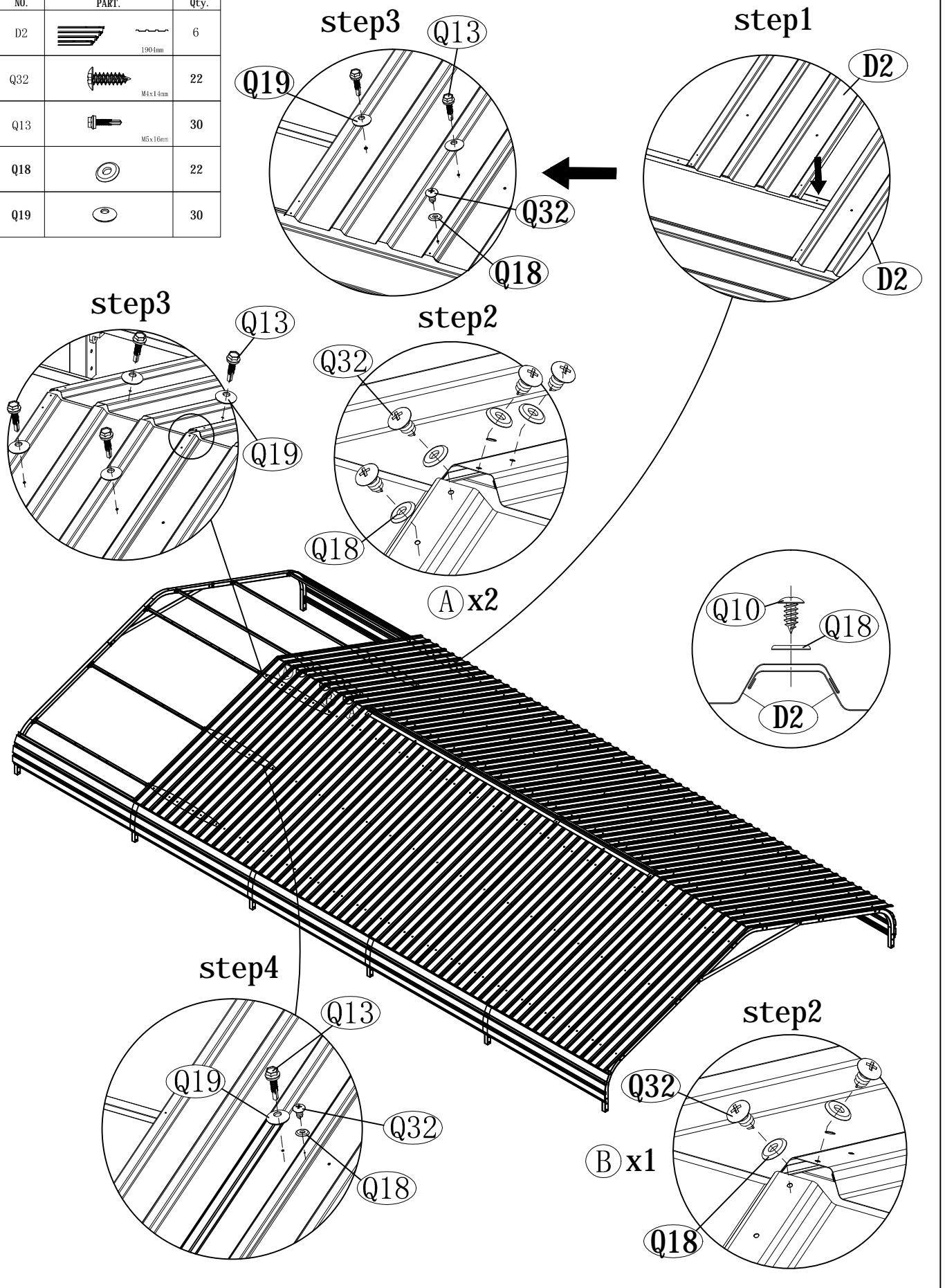
NO.	PART.	Qty.
7	 1256mm	1
Q32	 M4x1.5mm	2
Q18		2






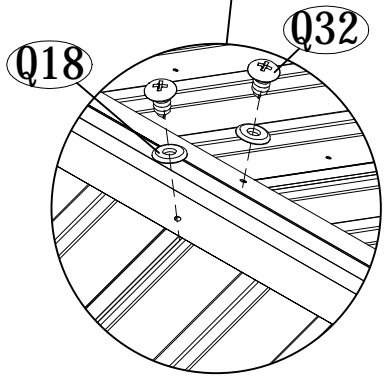
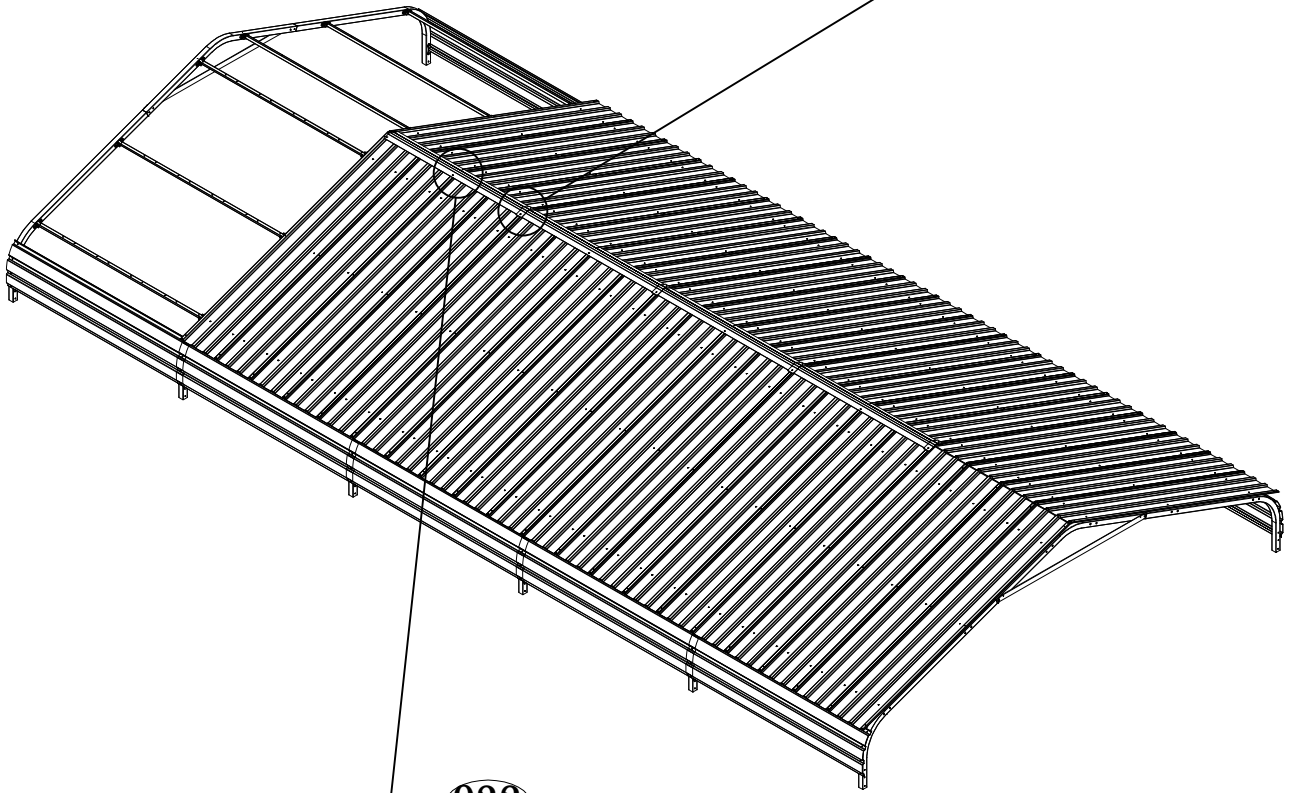
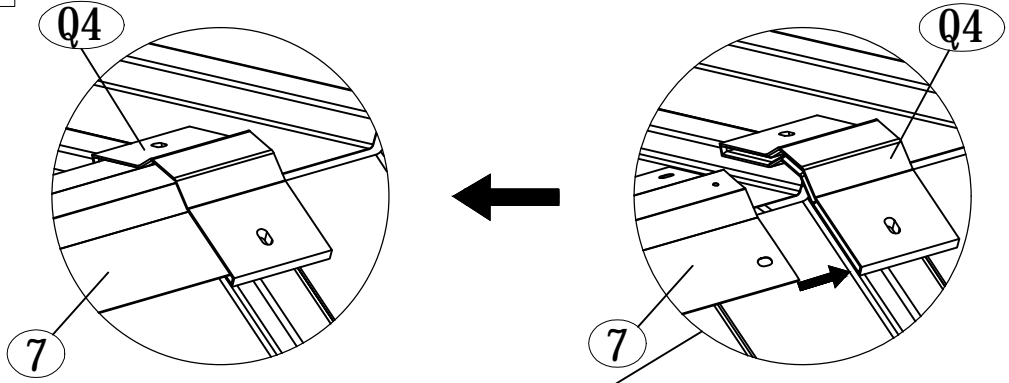
NO.	PART.	Qty.
D2	 190mm	2
Q4		1
Q32	 M1x1.5mm	8
Q13	 M5x1.6mm	10
Q18		8
Q19		10









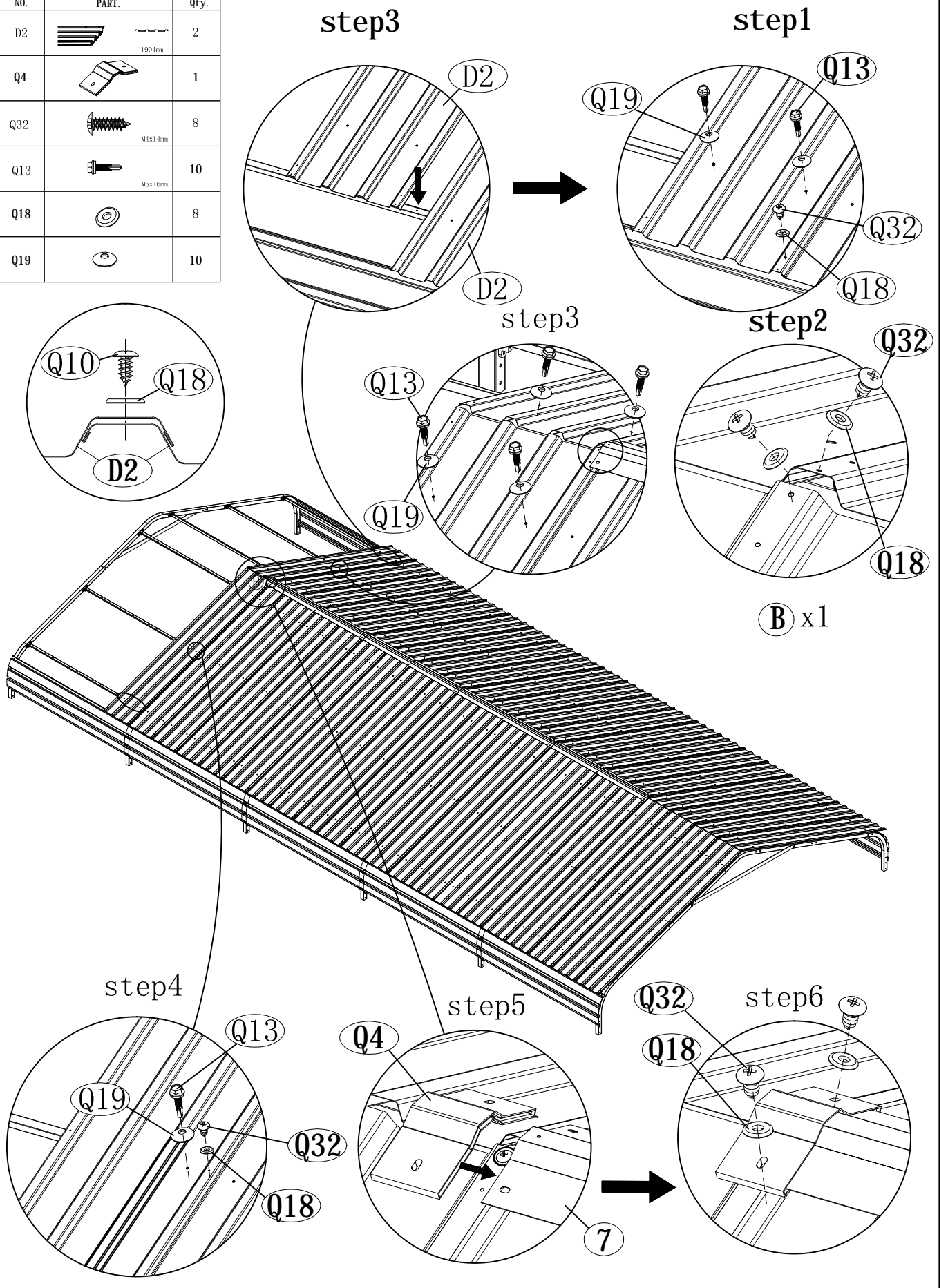
NO.	PART.	Qty.
D2	 190mm	6
Q32	 M4x1.5mm	22
Q13	 M5x1.6mm	30
Q18		22
Q19		30


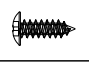
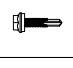




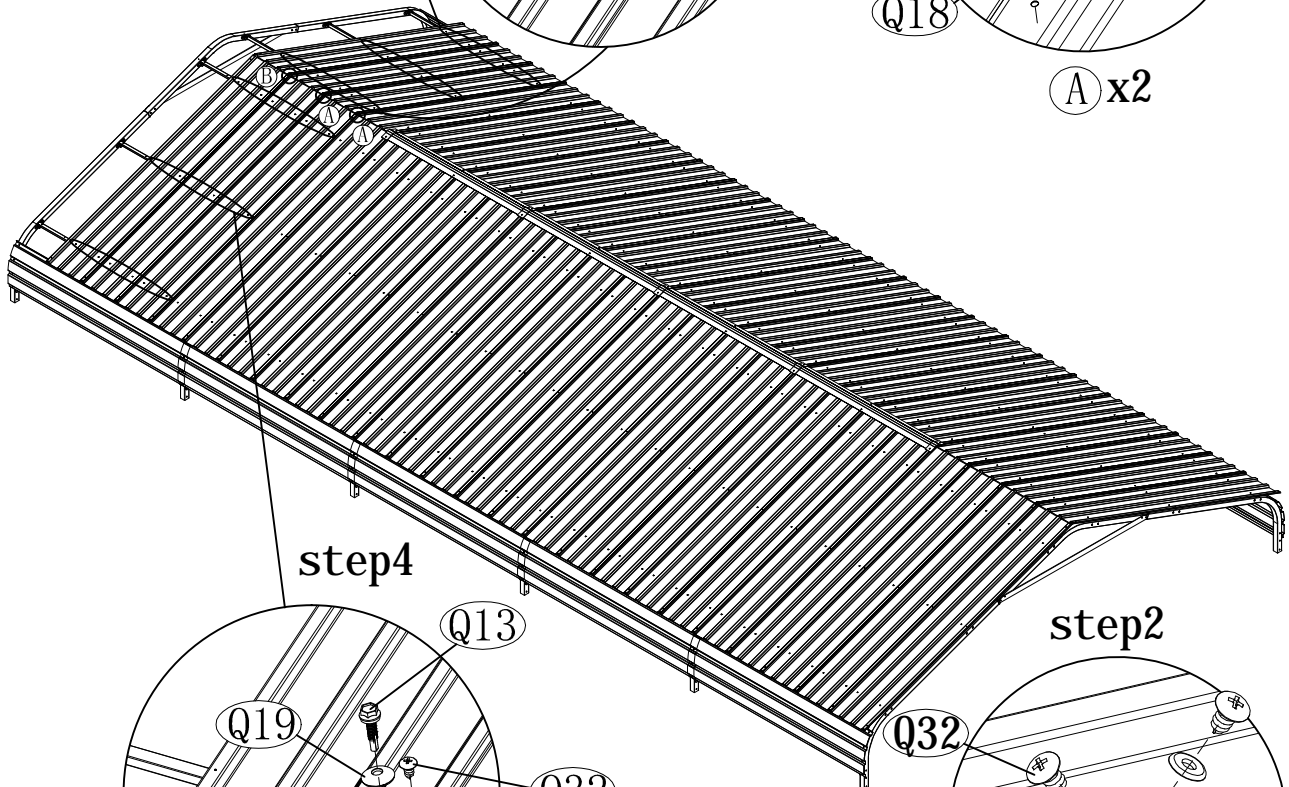
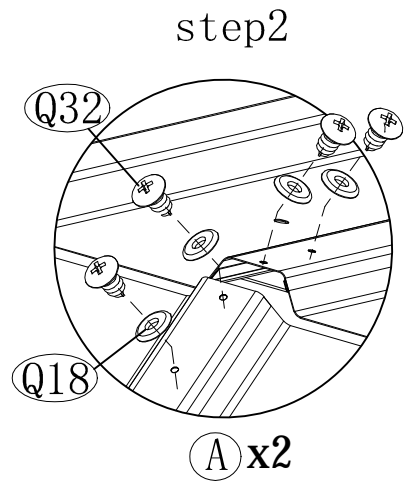
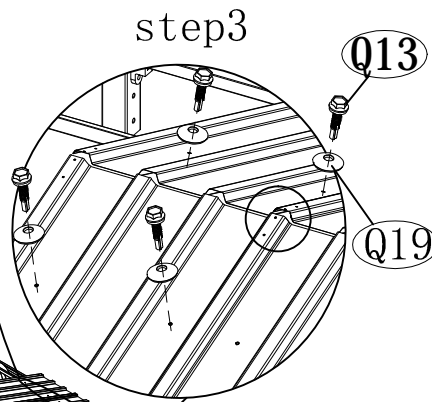
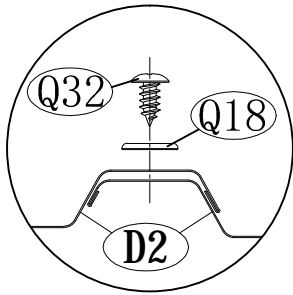
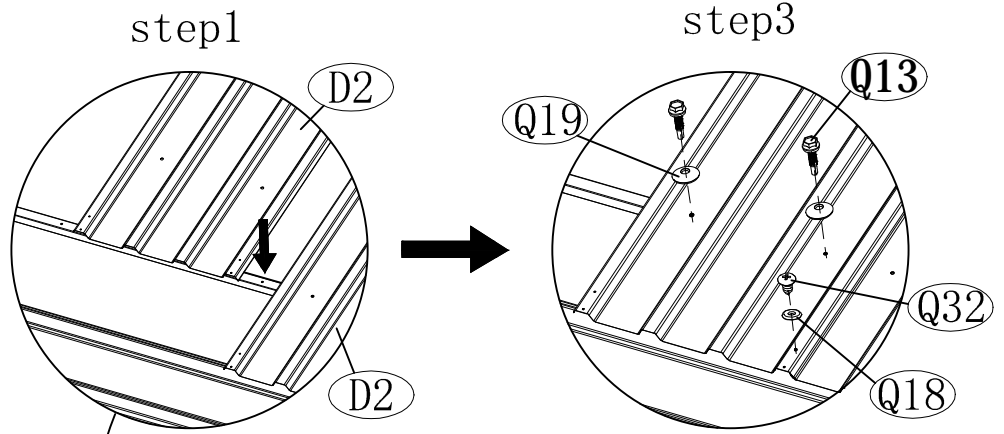
NO.	PART.	Qty.
7	 1256mm	1
Q32	 M1x1.5mm	2
Q18		2



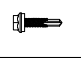




NO.	PART.	Qty.
D2	 190mm	2
Q4		1
Q32	 M1x16mm	8
Q13	 M5x16mm	10
Q18		8
Q19		10

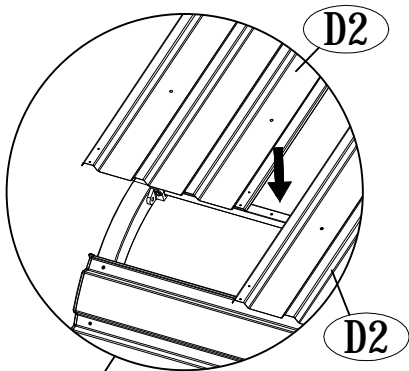


NO.	PART.	Qty.
D2	 190mm	6
Q32	 M4 x 1.5mm	22
Q13	 M5 x 1.6mm	30
Q18		20
Q19		30

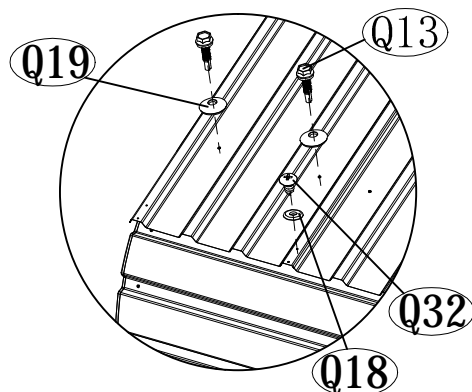


NO.	PART.	Qty.
D2	 190mm	2
Q32	 M4 x 14mm	8
Q13	 M5 x 16mm	10
Q18		8
Q19		10

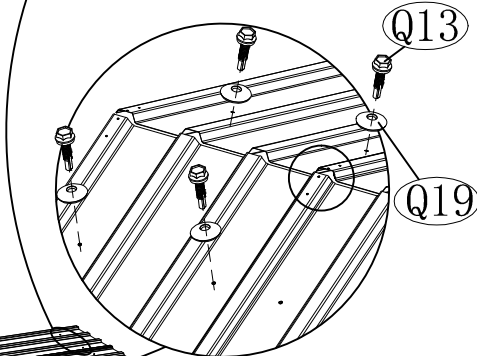
step1



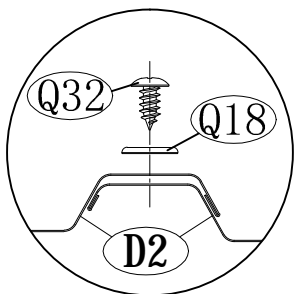
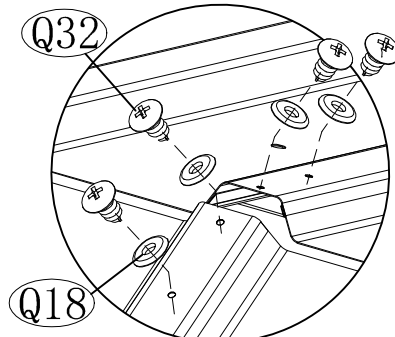
step3



step3

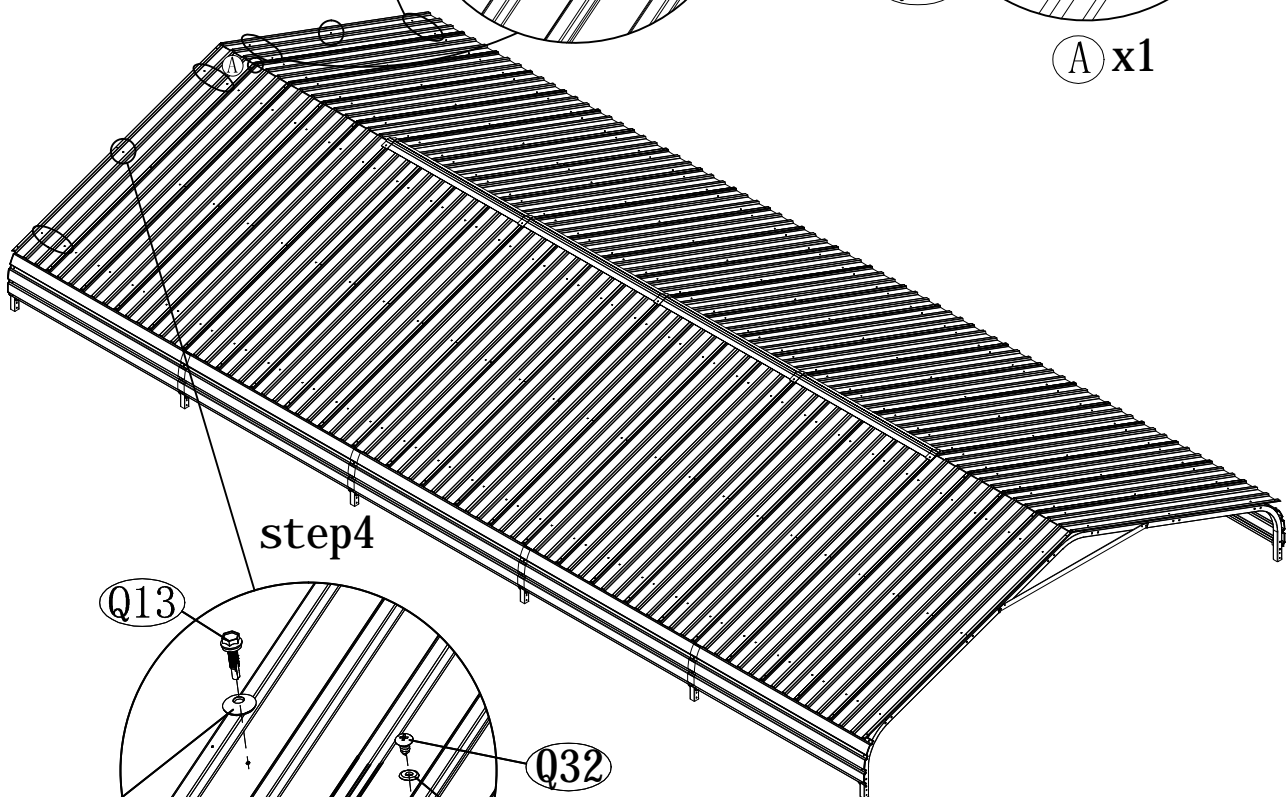
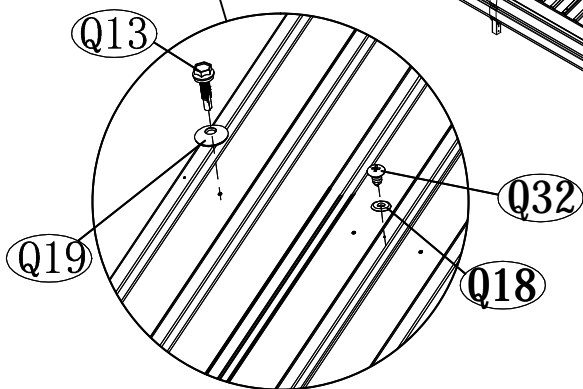





step2

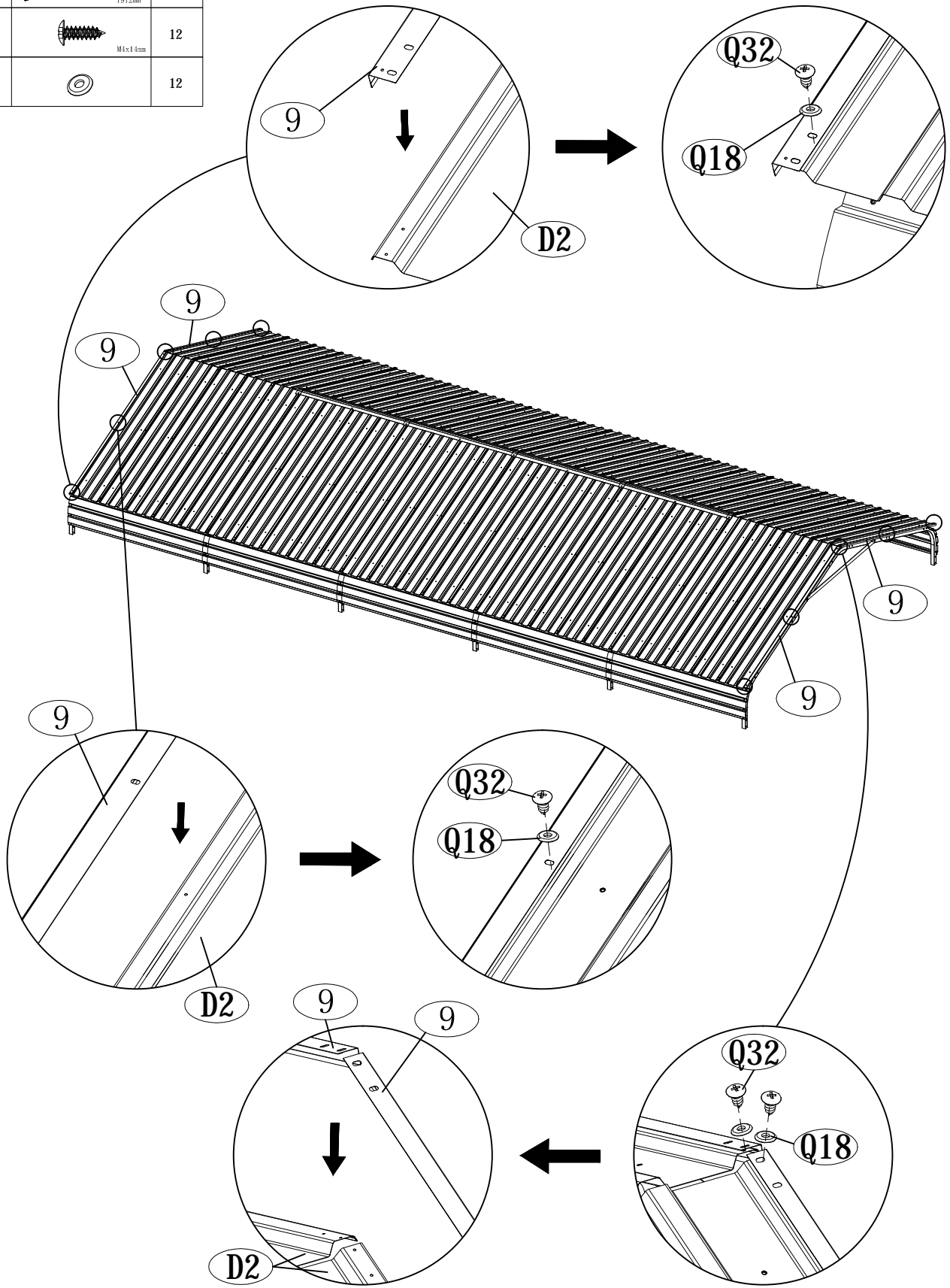






A x1

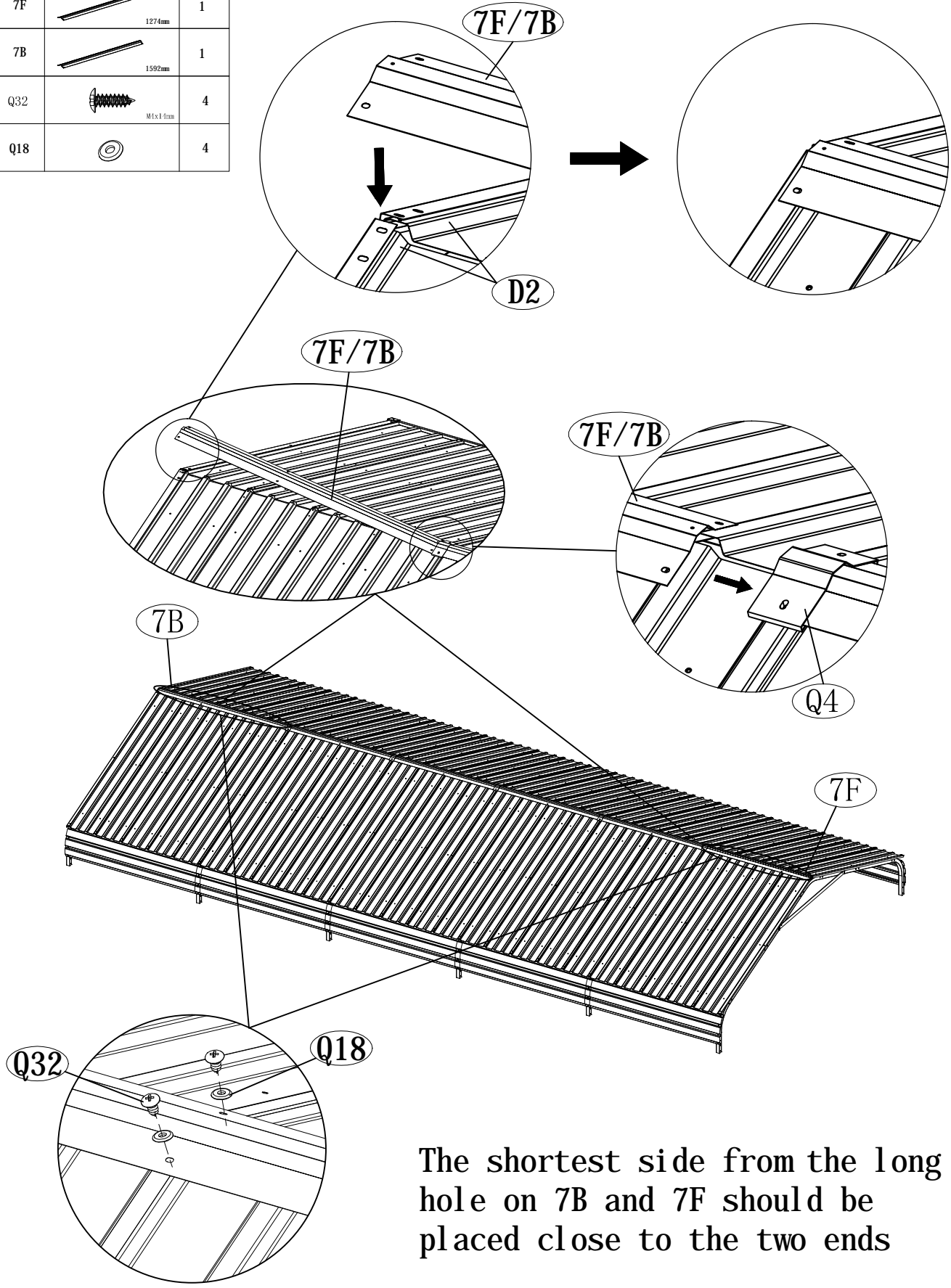
step4







NO.	PART.	Qty.
9	 1912mm	4
Q32	 M4x1.5mm	12
Q18		12

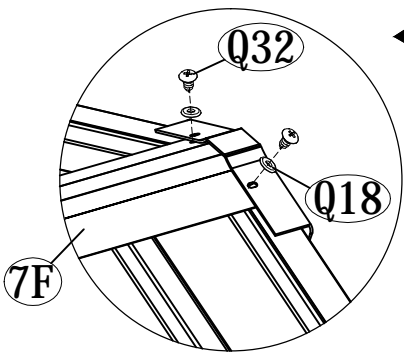
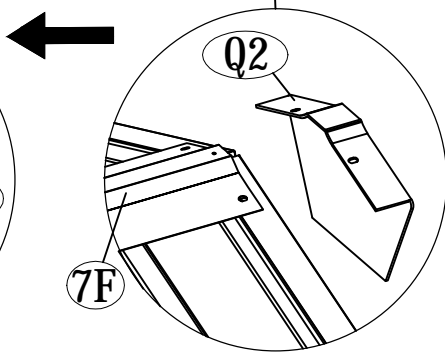
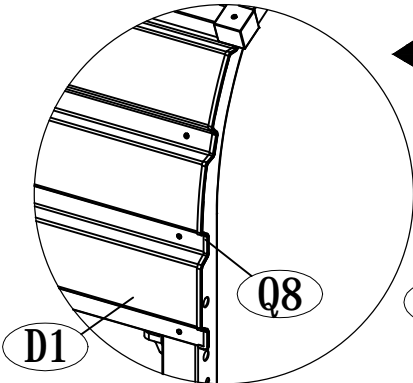
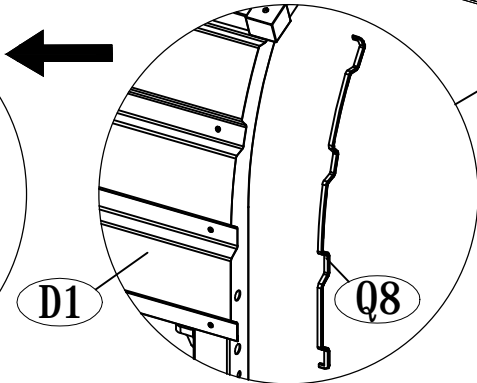
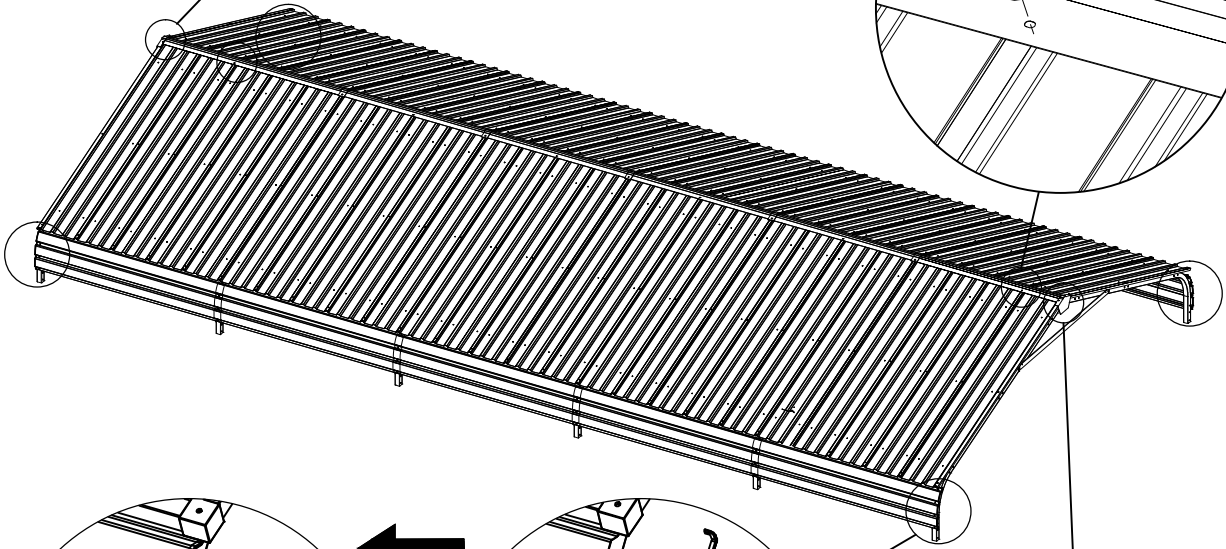
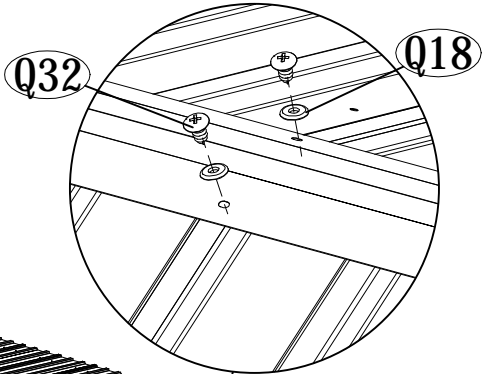
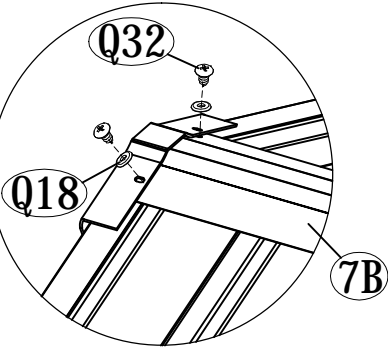
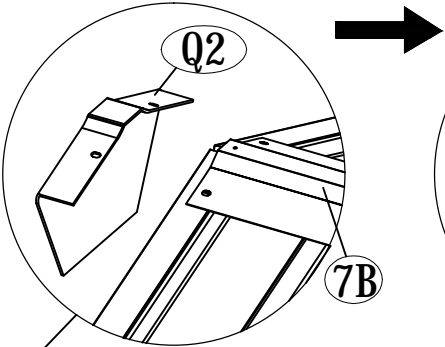


NO.	PART.	Qty.
7F	 1274mm	1
7B	 1592mm	1
Q32	 M1x1.5mm	4
Q18		4


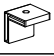
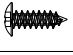



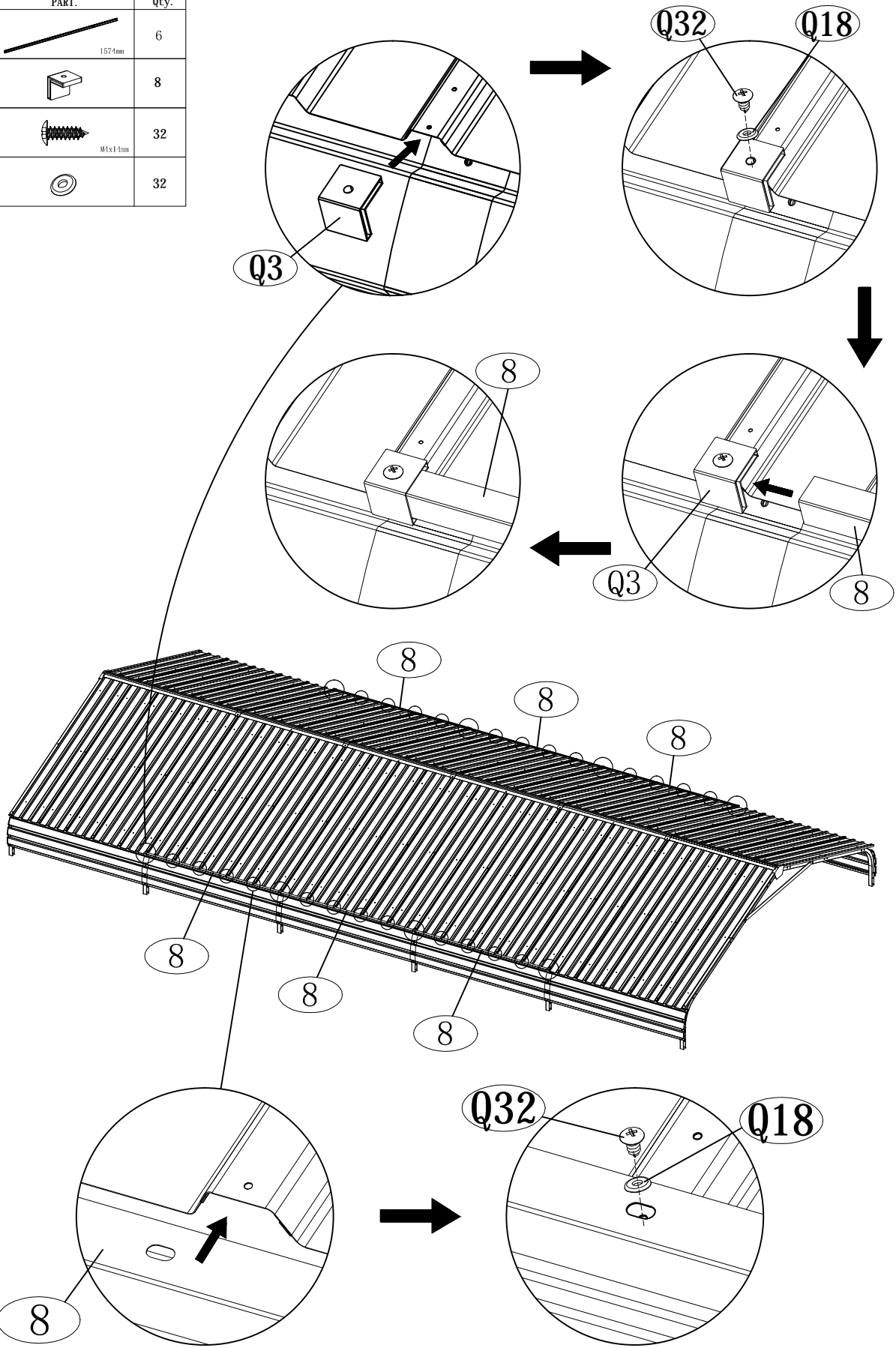
The shortest side from the long hole on 7B and 7F should be placed close to the two ends






NO.	PART.	Qty.
Q2		2
Q32	 4x4mm	4
Q18		4
Q8	 420mm	4

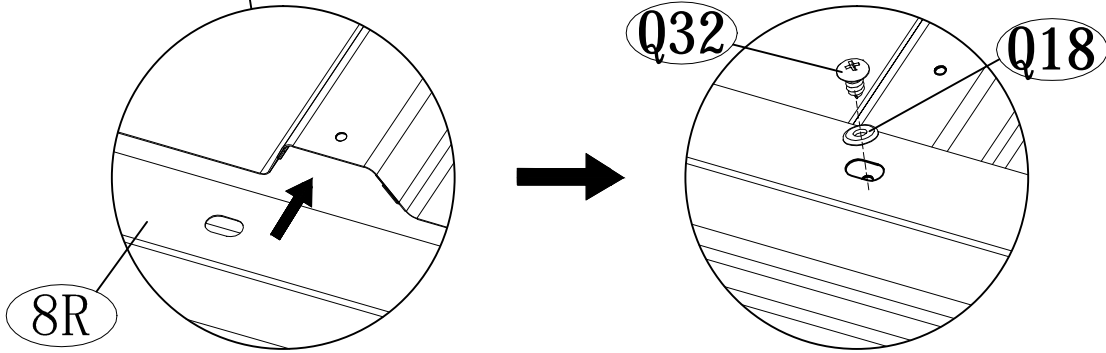
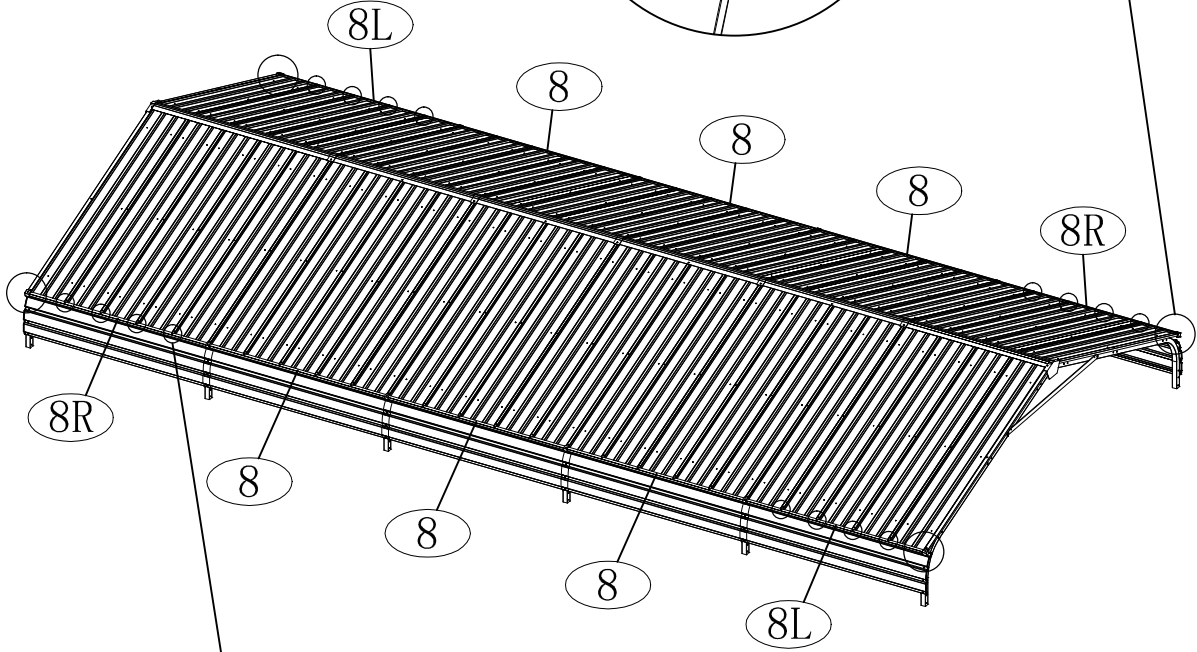
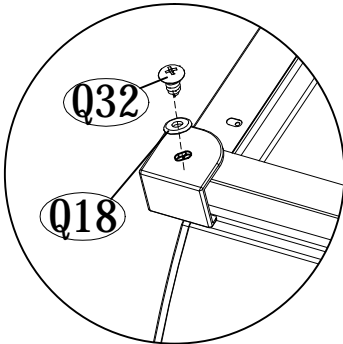
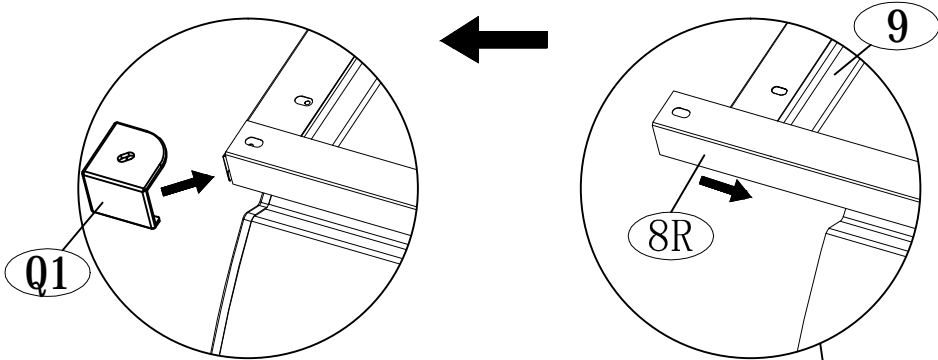



Q8 needs to be bent along the edge of D1.

NO.	PART.	Qty.
8	 1574mm	6
Q3		8
Q32	 M1x11mm	32
Q18		32

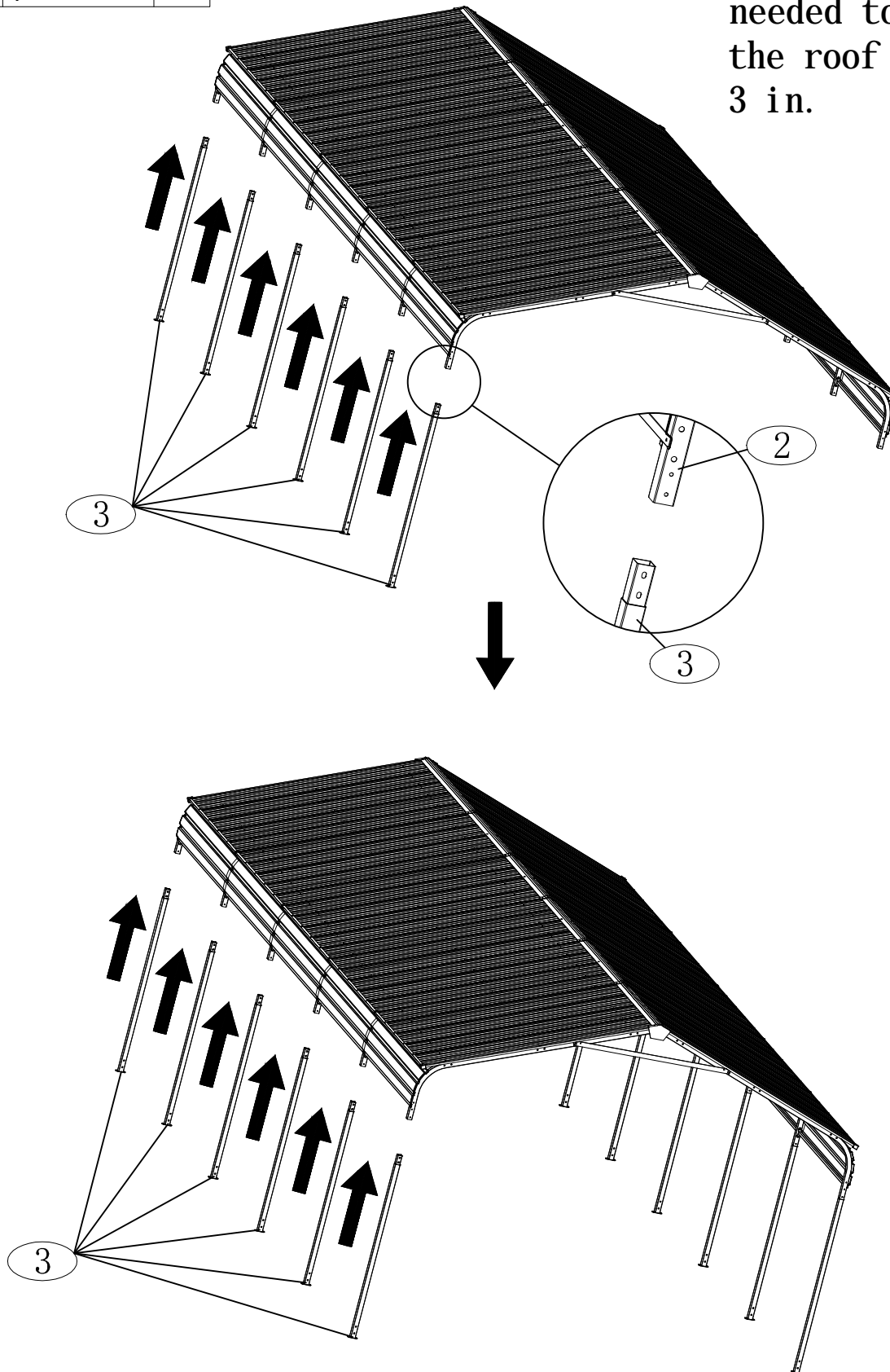





NO.	PART.	Qty.
8L	 1604, 5mm	2
8R	 1604, 5mm	2
Q1		4
Q32	 M4x1.5mm	20
Q18		20

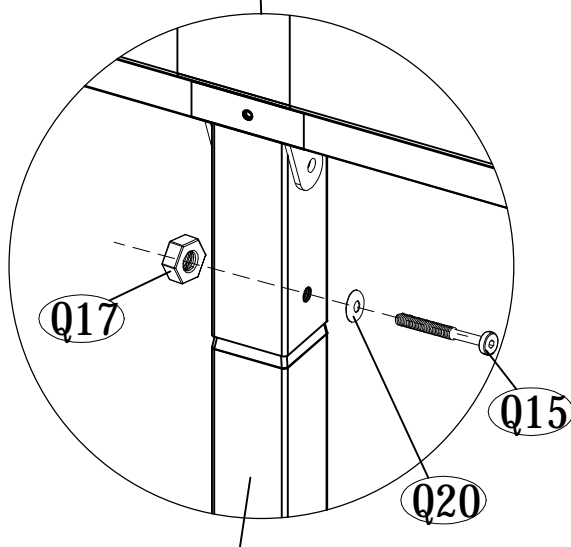
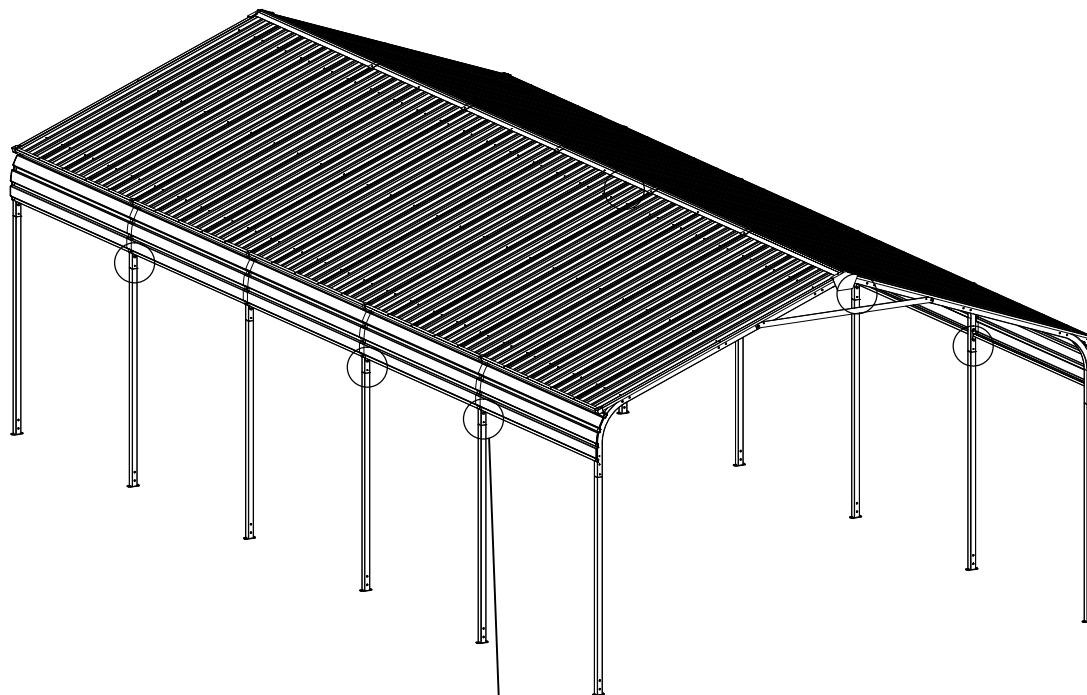


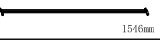



NO.	PART.	Qty.
3	 1620mm	12

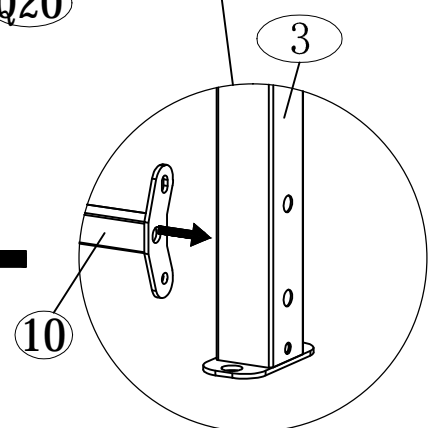
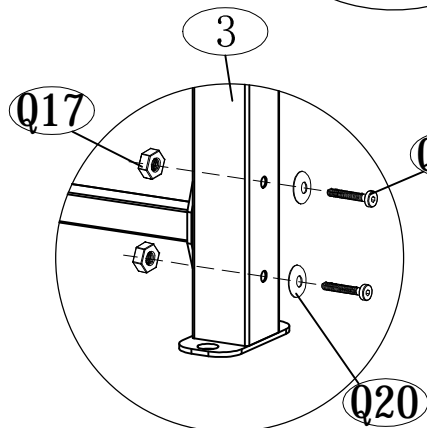
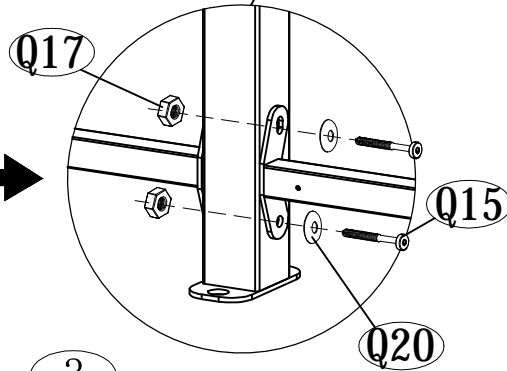
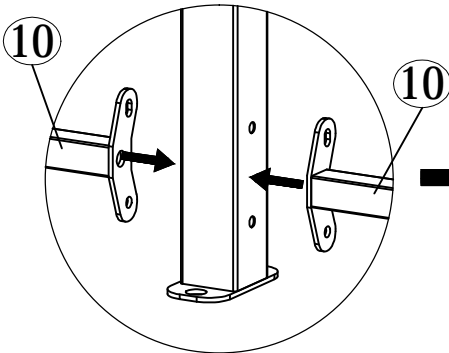
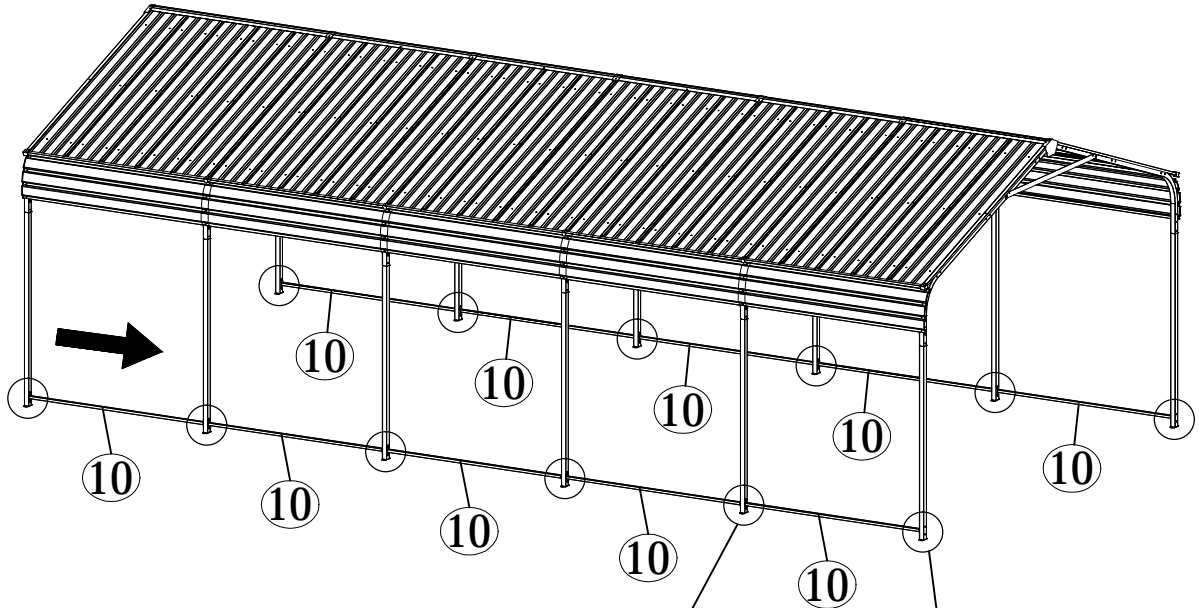
Five people are needed to lift the roof and put 3 in.



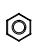



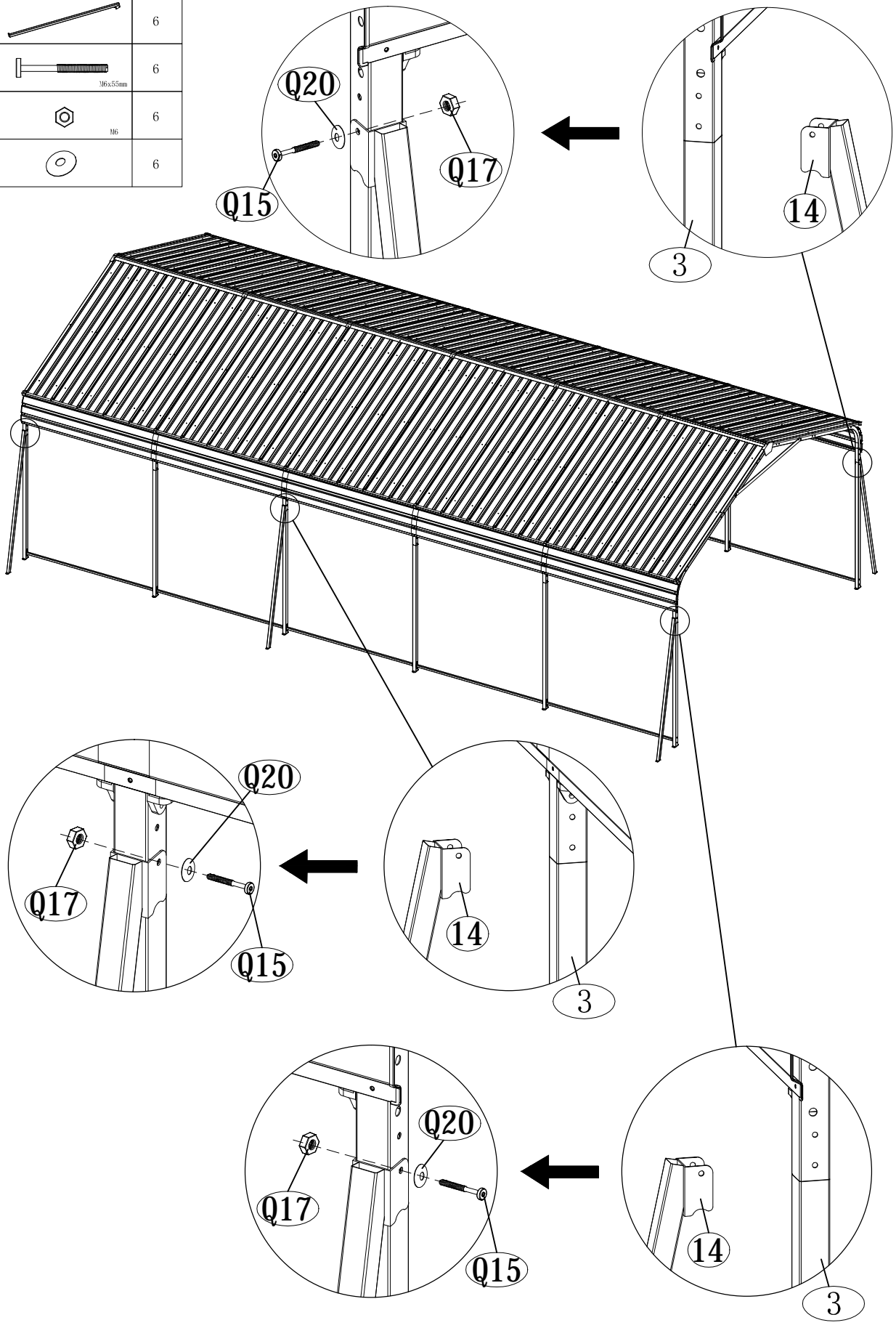
NO.	PART.	Qty.
Q15	 3/6x55mm	6
Q17	 1/6	6
Q20		6



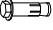


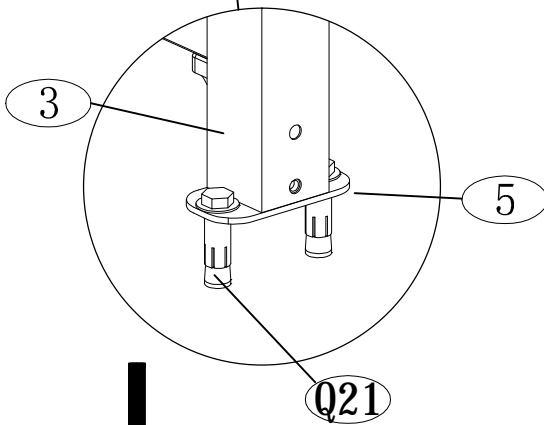
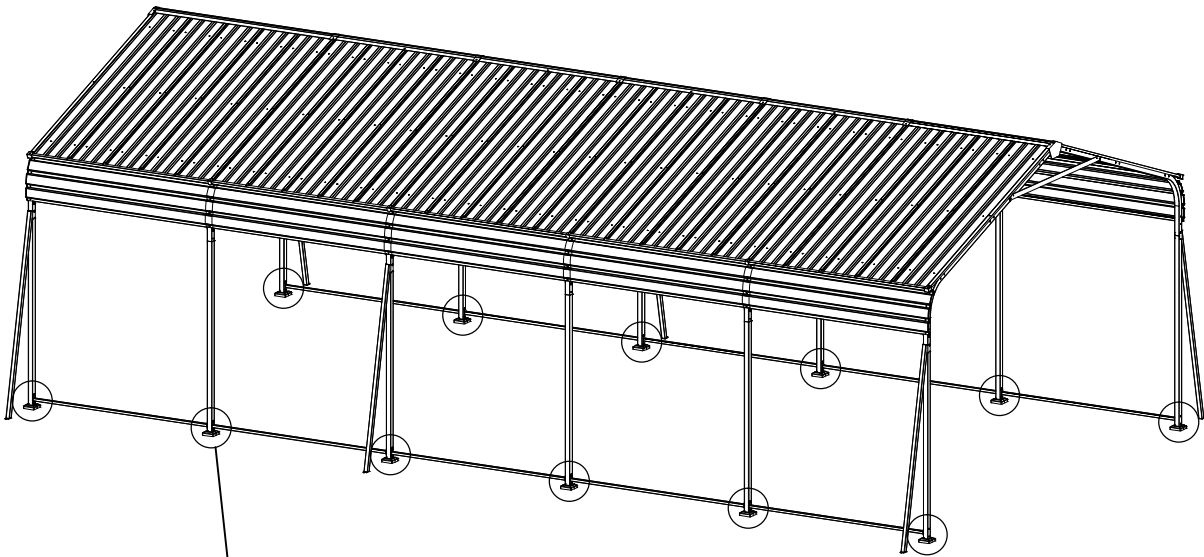
NO.	PART.	Qty.
10	 1546mm	10
Q15	 36x35mm	24
Q17	 M6	24
Q20		24



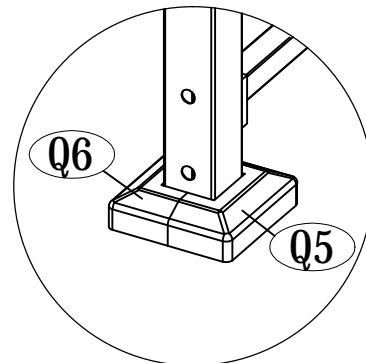
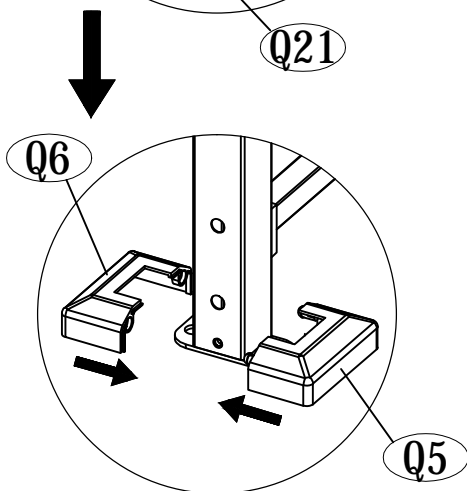
NO.	PART.	Qty.
14		6
Q15	 3/6x35mm	6
Q17	 M6	6
Q20		6

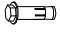



NO.	PART.	Qty.
Q5		12
Q6		12
Q21	 M8 x 50mm	24

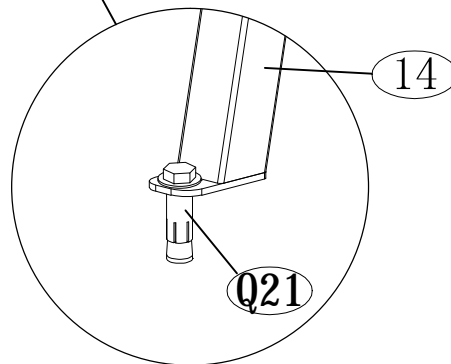
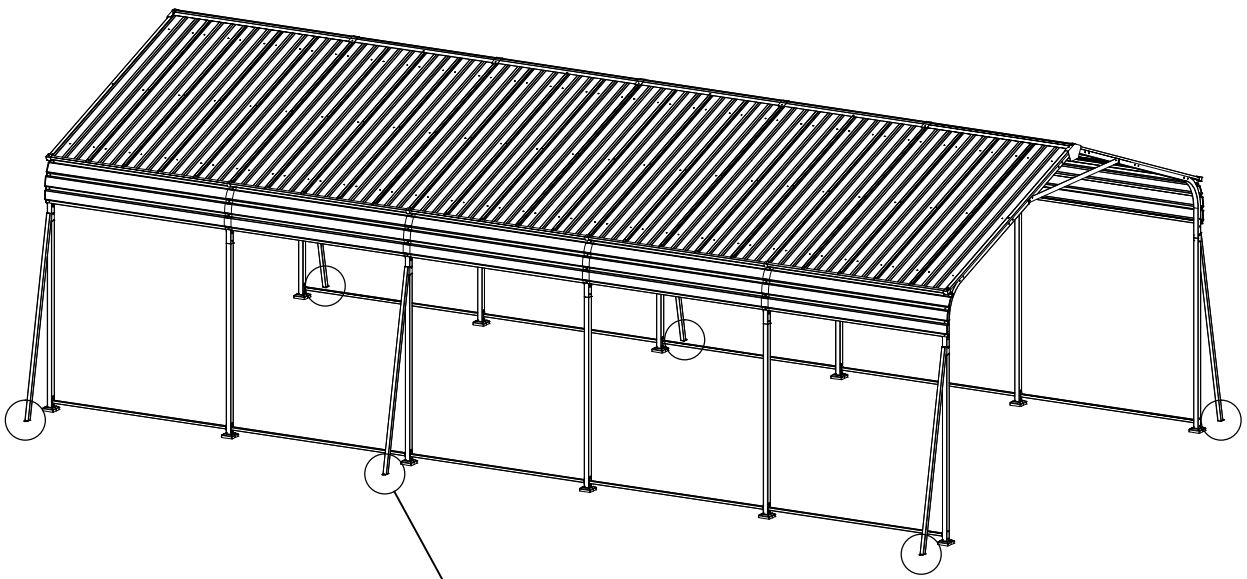
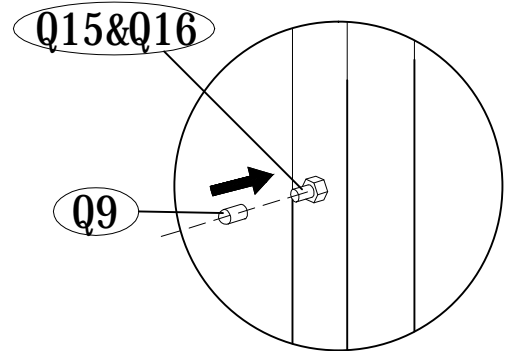


1. It is necessary to use ground nails and expansion screws, whether installed on stable ground, to avoid the collapse of the car shed to the inside or nearby personnel causing devastating injuries and property losses.



NO.	PART.	Qty.
Q21	 48x50mm	6
Q9		168

Plastic screw cap is used to prevent the sharp end of the screw from scratching people .



1. It is necessary to use ground nails and expansion screws, whether installed on stable ground, to avoid the collapse of the car shed to the inside or nearby personnel causing devastating injuries and property losses.