

16826-W



Call Us First!
DO NOT RETURN TO STORE.

For immediate help with assembly or product information

call our toll free number:

1-800-577-9663

or email:

customerservice@backyardproductsllc.com

Our staff is ready to provide assistance

April through October M-F 8:00 AM to 4:30 PM EST

Saturday 8:30 AM to 4:30 PM EST

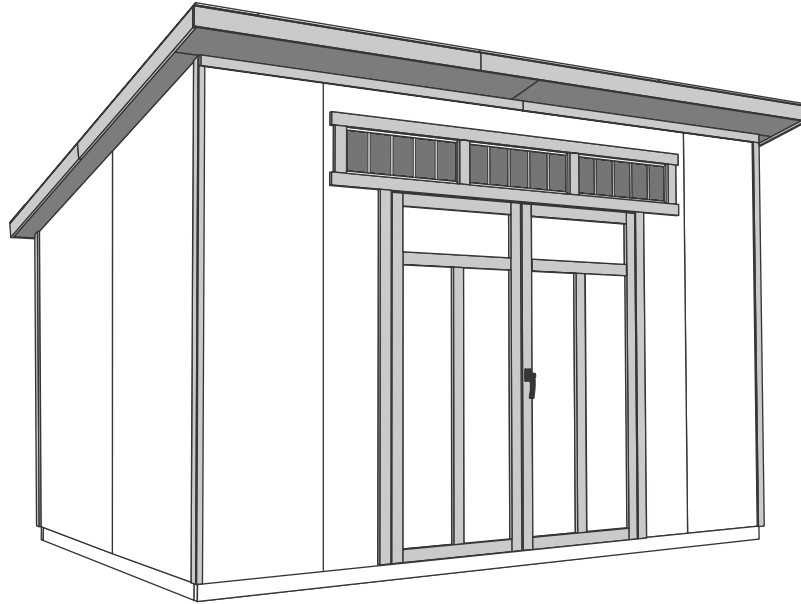
November through March M - F 8:00 AM to 5:00 PM EST

(This page intentionally left blank.)

METROPOLITAN 12' x 7'-6" (365,8 x 228,6 cm)

ACTUAL FLOOR SIZE IS 144" x 90" (365,8 x 228,6 cm)

KEEP THIS MANUAL FOR FUTURE REFERENCE



⚠ IMPORTANT! ⚠

READ INSTRUCTIONS THOROUGHLY PRIOR TO BEGINNING ASSEMBLY.

BEFORE YOU BEGIN

• BUILDING RESTRICTIONS AND APPROVALS

Be sure to check with local building department and homeowners association for specific restrictions and/ or requirements before building.

• ENGINEERED DRAWINGS

Contact our Customer Service Team if engineered drawings are needed to pull local permits.

• SURFACE PREPARATION

To ensure proper assembly you must build your shed on a level surface. Recommended methods and materials to level your shed are listed on page 7.

• CHECK ALL PARTS

Inventory all parts listed on pages 4 - 6. Contact our Customer Service Team if any parts are missing or damaged.

• ADDITIONAL MATERIALS

You will need additional materials to complete your shed. See page 3 for required and optional materials and quantities.









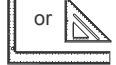

- CUSTOMER SERVICE -









Call: 1-800-577-9663 email: customerservice@backyardproductsllc.com






TOOLS

Required

- Phillips Screwdriver 
- Drill / Driver 
 - 1/4" Drill Bit
 - 3/8" Drill Bit
 - 1/2" Drill Bit
 - #2 Philips Drive Bit
- Hammer 
- Level 
- Pencil 
- Tape Measure 
- Square  or 

- Utility Knife 
 - Shingle Blades 
- Caulk Gun 
- Paint Tools 
- Safety Glasses 
- Ladder 

Optional

- Tool Belt/ Nail Pouch 
- Tin Snips (for drip edge) 
- Chalk Line 
- Nail Gun 
 - gun nails
- Gloves 

Safety! Always use approved safety glasses during assembly.

HELPFUL REMINDER SYMBOLS

Look for these symbols for helpful reminders throughout this manual.



= Assistance Required; two or more people.



= Ensure squareness.



= Important required step or operation.



= Helpful assembly hint.



= Mark part with pencil.



BEGIN = Beginning of steps for assembly or installation.



FINISH = You have finished the assembly or installation.

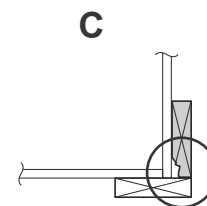
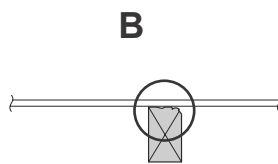
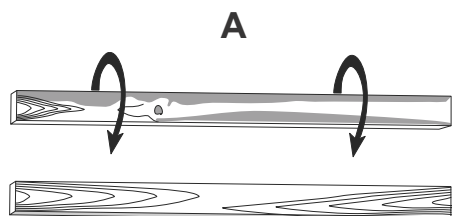


= Level

ORIENT LUMBER AND TRIM FOR BEST APPEARANCE

Framing lumber is graded for structural strength and not appearance. Exterior trim is graded for one good side.

Always install the material leaving the best edge and best surface visible. Please remember that these blemishes in no way negatively affect the strength or integrity of our product. (See Fig. A, B, C.)



ADDITIONAL MATERIALS

FOUNDATION OR FLOOR MATERIALS

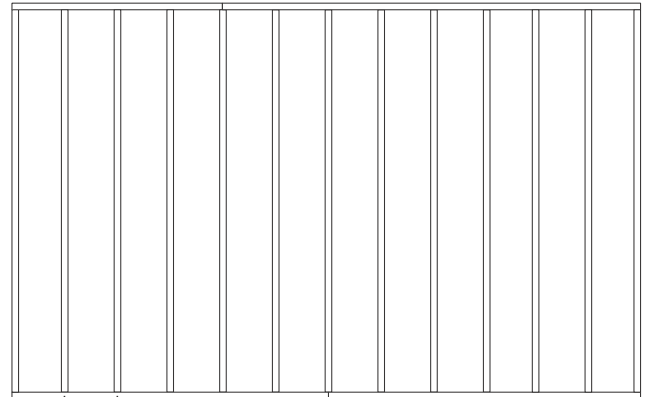
- This shed kit includes a complete wood floor system.
- This shed kit does not include ANY leveling materials.
- See the FLOOR LEVELING section on page 7 for recommended methods and suggested materials to properly level your floor, as this will vary depending on your specific site.

REINFORCED WOOD FLOOR FRAME (OPTIONAL)

IMPORTANT! The included floor has been designed for general use. Depending on your specific use you may want to construct a heavy duty floor frame by adding additional floor joists (shown below). Below is a list of additional materials (not included):

x3 2 x 4 x 87" (5 x 10 x 221 cm) Treated Lumber

x6 ea. 3" (7,6 cm) Hot Dipped Galvanized Nails



→ | ← Optional 12" (30,1 cm) spacing.


• Standard spacing is 16" (40,7 cm).

COMPLETING YOUR SHED

You will need these additional materials:

3-TAB SHINGLES 6 Bundles

PAINT FOR SIDING 2 Gallons
Use 100% acrylic latex exterior paint. (2) coats recommended.

CAULK 3 Tubes
Use acrylic latex exterior caulk that is paintable. 

1" GALVANIZED ROOFING NAILS.... 3 Lbs
For shingles.

PAINT FOR TRIM1 Quart
Use 100% acrylic latex exterior paint.

WOOD GLUE Exterior Rated



TO VALIDATE YOUR WARRANTY YOU MUST USE THE FOLLOWING:



DRIP EDGE 50 Feet

#15 ROOFING FELT
To cover 106 Sq. Ft. of roof area.

1" GALVANIZED ROOFING NAILS.....1/4 Lb
For roofing felt.

REFER TO THE BACK OF THIS MANUAL AND THE MANUFACTURER'S INSTRUCTIONS FOR INSTALLATION OF SHINGLES, DRIP EDGE AND FELT.

PARTS IDENTIFICATION AND SIZES

Part identification letters are stamped on some parts.



Check these locations for part stamp.

Treated lumber is stamped:

TREATED

WOOD SIZE CONVERSION CHART

Nominal Board Size	Actual Size
2" x 4".....	1-1/2" x 3-1/2" (3,8 x 8,9 cm)
1" x 4".....	3/4" x 3-1/2" (1,9 x 8,9 cm)
2" x 3".....	1-1/2" x 2-1/2" (3,8 x 6,3 cm)
1" x 3".....	3/4" x 2-1/2" (3,8 x 6,3 cm)

PARTS LIST








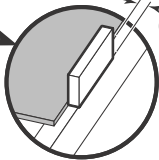










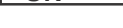

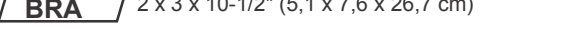



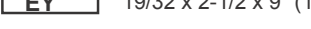







INVENTORY YOUR PARTS before you begin.

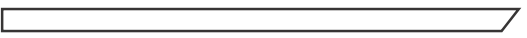
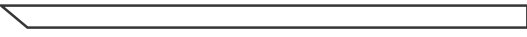
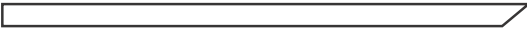
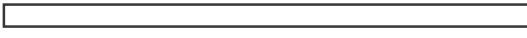
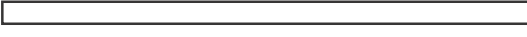





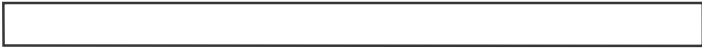
We suggest sorting parts by the category they are listed in.

All treated lumber is stamped:

TREATED


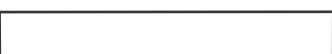

- | | | | |
|--------------|--|---|--|
| FLOOR | <input type="checkbox"/> x2  2 x 4 x 48" (5,1 x 10,2 x 121,9 cm) | | |
| | <input type="checkbox"/> x10  2 x 4 x 87" (5,1 x 10,2 x 220,9 cm) | | |
| | <input type="checkbox"/> x2  2 x 4 x 96" (5,1 x 10,2 x 243,8 cm) | | |
| WALLS | <input type="checkbox"/> x8  2 x 4 x 16-1/2" (5,1 x 10,2 x 41,9 cm) | | |
| | <input type="checkbox"/> x2  2 x 4 x 40" (5,1 x 10,2 x 101,6 cm) | <input type="checkbox"/> x1  1 x 3 x 5" (2,5 x 7,6 x 12,7 cm) | |
| | <input type="checkbox"/> x3  2 x 4 x 48" (5,1 x 10,2 x 121,9 cm) |  | |
| | <input type="checkbox"/> x2  2 x 4 x 57-5/8" (5,1 x 10,2 x 146,4 cm) | | |
| | <input type="checkbox"/> x7  2 x 4 x 64" (5,1 x 10,2 x 162,5 cm) | | |
| | <input type="checkbox"/> x2  2 x 4 x 68" (5,1 x 10,2 x 172,7 cm) | | |
| | <input type="checkbox"/> x2  2 x 4 x 75-3/8" (5,1 x 10,2 x 191,5 cm) | | |
| | <input type="checkbox"/> x2  2 x 4 x 80-11/16" (5,1 x 10,2 x 204,9 cm) | | |
| | <input type="checkbox"/> x4  2 x 4 x 86" (5,1 x 10,2 x 218,4 cm) | | |
| | <input type="checkbox"/> x2  2 x 4 x 86-1/8" (5,1 x 10,2 x 203,5 cm) | | |
| | <input type="checkbox"/> x2  2 x 4 x 86-1/4" (5,1 x 10,2 x 219,1 cm) | | |
| | <input type="checkbox"/> x1  2 x 4 x 94-1/2" (5,1 x 10,2 x 240 cm) | | |
| | <input type="checkbox"/> x3  2 x 4 x 96" (5,1 x 10,2 x 243,8 cm) | | |
| | RAFTERS | <input type="checkbox"/> x11  2 x 3 x 10-1/2" (5,1 x 7,6 x 26,7 cm) | |
| | | <input type="checkbox"/> x2  1 x 3 x 33 - 1/8" (2,5 x 7,6 x 84,1 cm) | |
| | | <input type="checkbox"/> x2  1 x 3 x 72" (2,5 x 7,6 x 182,8 cm) | |
| | | <input type="checkbox"/> x11  2 x 4 x 93-3/16" (1,5 x 10,2 x 236,7 cm) | |
| TRIM | <input type="checkbox"/> x4  19/32 x 2-1/2 x 9" (1,5 x 6,3 x 22,9 cm) | | |
| | <input type="checkbox"/> x1  19/32 x 3-1/2 x 24-3/8" (1,5 x 8,8 x 61,9 cm) | | |
| | <input type="checkbox"/> x2  2 x 3 x 33-1/8" (5,1 x 7,6 x 84,1 cm) | | |
| | <input type="checkbox"/> x2  19/32 x 3-1/2 x 48" (1,5 x 8,8 x 121,9 cm) | | |
| | <input type="checkbox"/> x1  19/32 x 3-1/2 x 59-1/4" (1,5 x 8,8 x 150,4 cm) | | |
| | <input type="checkbox"/> x1  19/32 x 3-1/2 x 59-1/4" (1,5 x 8,8 x 150,4 cm) | | |
| | <input type="checkbox"/> x1  19/32 x 3-1/2 x 59-1/4" (1,5 x 8,8 x 150,4 cm) | | |
| | <input type="checkbox"/> x1  19/32 x 3-1/2 x 60-3/8" (1,5 x 8,8 x 153,4 cm) | | |

PARTS LIST continued...

TRIM	<input type="checkbox"/> x2	CY	19/32 x 2-1/2 x 24-3/8" (1,5 x 6,3 x 61,9 cm)
	<input type="checkbox"/> x2	JFA	19/32 x 2-1/2 x 41-1/4" (1,5 x 6,3 x 104,8 cm)
	<input type="checkbox"/> x1	GKA	2 x 3 x 59-1/4" (5,1 x 7,6 x 150,5 cm)
	<input type="checkbox"/> x2	OY	2 x 3 x 72" (5,1 x 7,6 x 182,8 cm)
	<input type="checkbox"/> x2	BSA	19/32 x 2-1/2 x 91" (1,5 x 6,3 x 231,1 cm)
	<input type="checkbox"/> x1	PT	2 x 3 x 96" (5,1 x 7,6 x 243,8 cm)
	<input type="checkbox"/> x2	ZX	19/32 x 3-1/2 x 96" (1,5 x 8,8 x 243,8 cm)
CORNER/FREIZE TRIM	<input type="checkbox"/> x2		3/8 x 2 x 68-3/4" (0,9 x 5,1 x 174,6 cm)
	<input type="checkbox"/> x1		3/8 x 2 x 69-1/4" (0,9 x 5,1 x 175,8 cm)
	<input type="checkbox"/> x1		3/8 x 2 x 69-1/4" (0,9 x 5,1 x 175,8 cm)
	<input type="checkbox"/> x1		3/8 x 2 x 72" (0,9 x 5,1 x 182,8 cm)
	<input type="checkbox"/> x1		3/8 x 2 x 73-3/8" (0,9 x 5,1 x 186,4 cm)
	<input type="checkbox"/> x2		3/8 x 2 x 91-1/4" (0,9 x 5,1 x 231,7 cm)
	<input type="checkbox"/> x1		3/8 x 2 x 93-1/4" (0,9 x 5,1 x 236,8 cm)
	<input type="checkbox"/> x1		3/8 x 2 x 93-1/4" (0,9 x 5,1 x 236,8 cm)
SOFFIT	<input type="checkbox"/> x1		3/8 x 10-3/8 x 75-1/2" (1 x 26,3 x 191,8 cm)
	<input type="checkbox"/> x1		3/8 x 10-3/8 x 79-5/8" (1 x 26,3 x 202,2 cm)
	<input type="checkbox"/> x2		3/8 x 5-1/4 x 95-1/2" (1 x 13,3 x 242,5 cm)
DOOR	<input type="checkbox"/> x2	AH	19/32 x 2-1/2 x 26-5/8" (1,5 x 6,3 x 67,6 cm)
	<input type="checkbox"/> x2	FDA	19/32 x 2-1/2 x 55-1/8" (1,5 x 6,3 x 140 cm)
	<input type="checkbox"/> x2	OO	1-1/2 x 2-1/2 x 69" (3,8 x 6,3 x 175,2 cm)


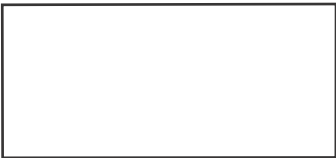

PANEL PARTS LIST

Roof panels are 7/16" (1,1 cm) thick.

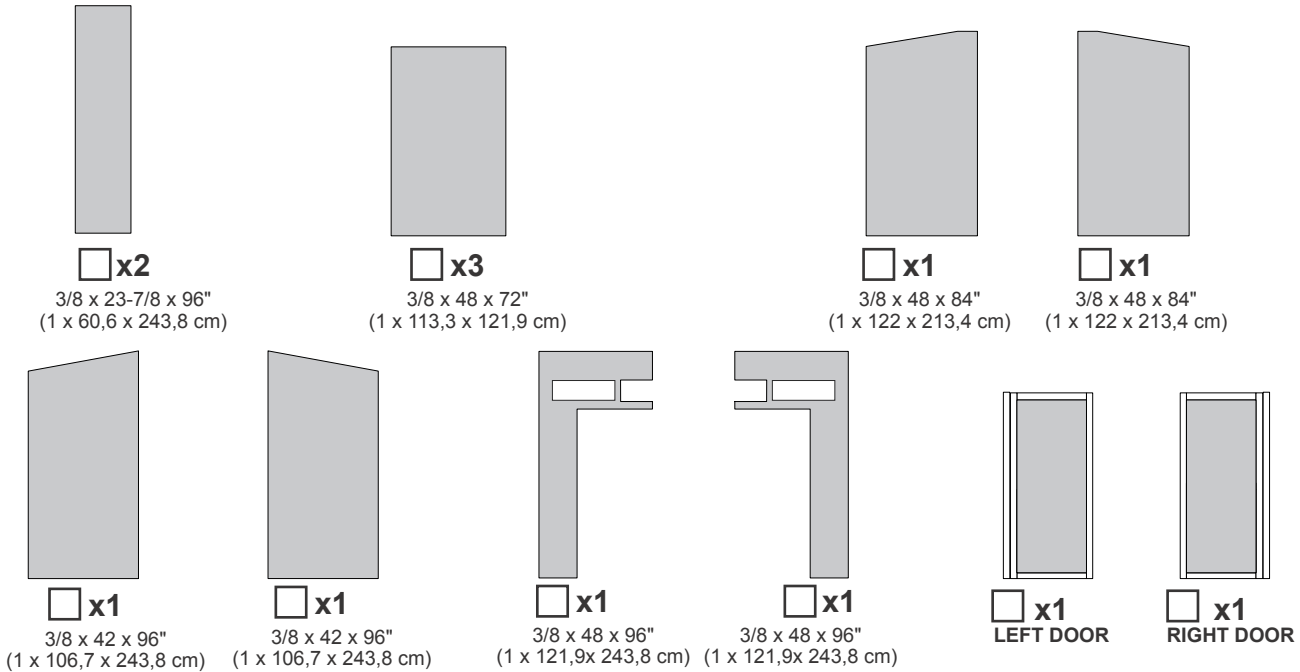
ROOF PANELS	<input type="checkbox"/> x1		7/16 x 11-7/8 x 60-1/8" (1,1 x 30,2 x 152,7 cm)
	<input type="checkbox"/> x2		7/16 x 11-7/8 x 96" (1,1 x 30,2 x 243,8 cm)
	<input type="checkbox"/> x3		7/16 x 48 x 96" (1,1 x 121,9 x 243,8 cm)

NOTE: Panel parts are not stamped.

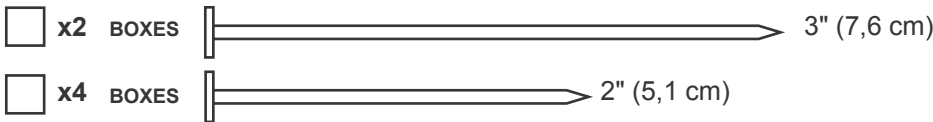
Floor panels are 5/8" (1,6 cm) thick.

FLOOR	<input type="checkbox"/> x1		5/8 x 48 x 90" (1,5 x 106,6 x 228,6 cm)
	<input type="checkbox"/> x1		5/8 x 42 x 96" (1,5 x 106,6 x 243,8 cm)
	<input type="checkbox"/> x1		5/8 x 48 x 96" (1,5 x 121,9 x 243,8 cm)

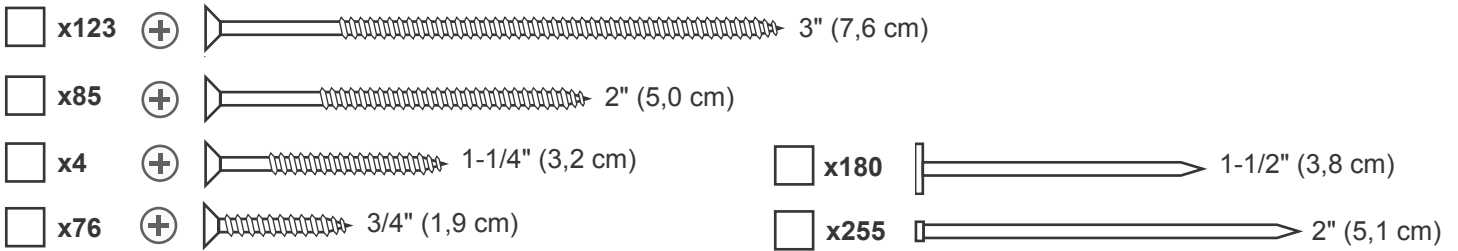
WALL PANEL & DOORS PARTS LIST



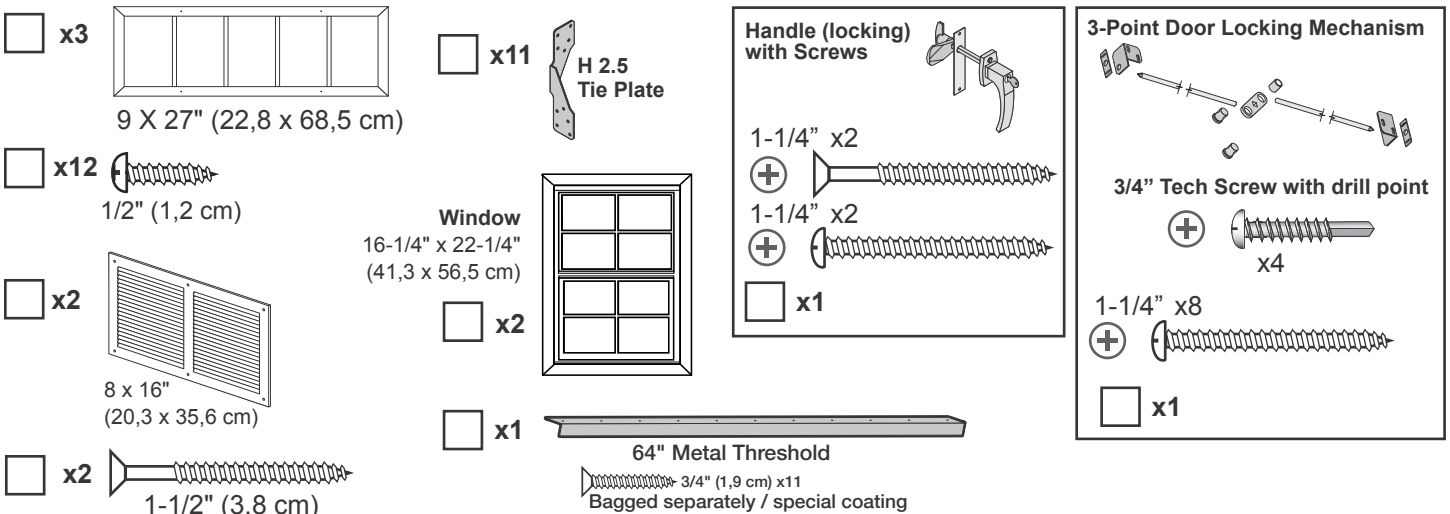
NAIL BOXES (not included)



FASTENER/HARDWARE BAG



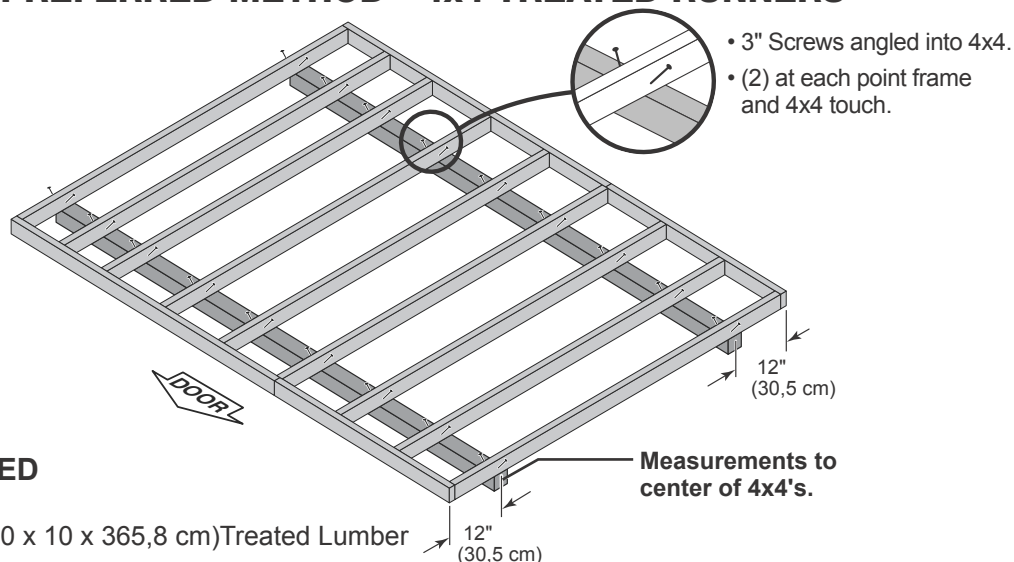
VENTS / DOOR HARDWARE / WINDOWS





FLOOR LEVELING OPTIONS

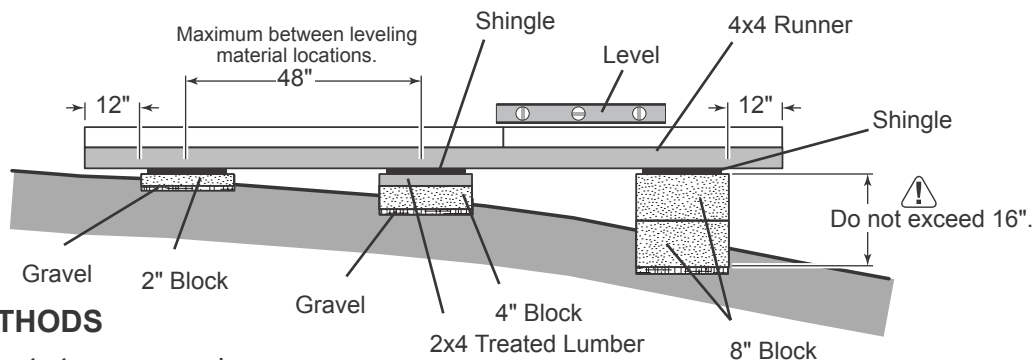
There are multiple ways to level your floor frame. Our recommended leveling method is shown below.
Leveling materials are not included in this kit.

PREFERRED METHOD - 4x4 TREATED RUNNERS



MATERIAL REQUIRED

- x2** 4" x 4" x 12' (10 x 10 x 365,8 cm) Treated Lumber
- Fasteners for Frame to 4"x 4"**.
(3" Screws shown as one option.) Minimum (40) 3" screws / exterior grade.
-  **Use only wood treated for ground contact and fasteners approved for use with treated wood.**
-  **Always support frame seams.**



LEVELING METHODS

- Level under 4x4 runners only.
- Locate leveling material 12" from ends of runners and no more than 48" apart.
- Asphalt shingles should be used between 4x4 runners and blocks or treated lumber. Never use shingles in direct contact with ground.
- For best results and aiding in water drainage use gravel under each concrete block.

LEVELING MATERIALS

- Gravel
- Solid Masonry Blocks in 1", 2", 4" or 8" thickness
- 2x4 Treated Lumber
- Asphalt Shingles

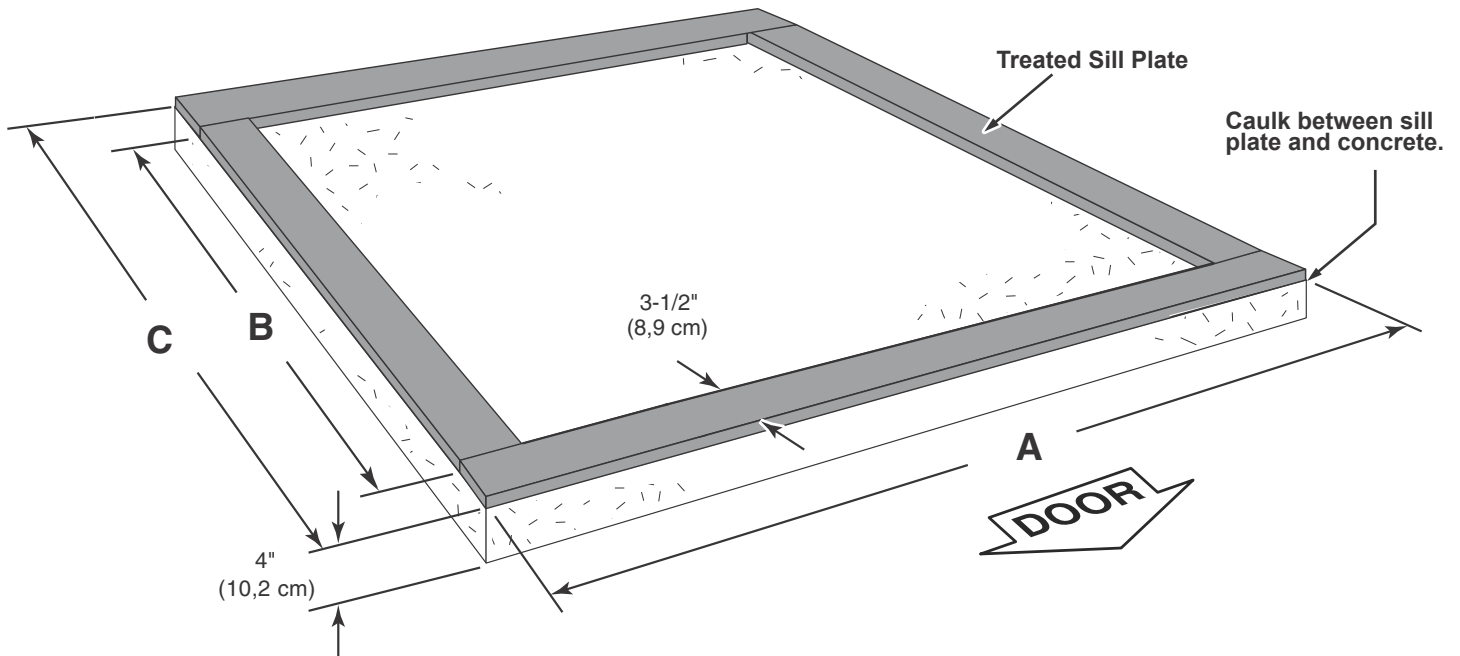
 **Leveling higher than 16" not recommended.**

CONCRETE

- If you are building your shed on a concrete foundation see the following page.

CONCRETE FOUNDATION

Your kit contains all materials to construct a wooden floor. If you choose to install your kit on a concrete slab refer to the diagram below.



Building Size	Actual Size	A	B	C
12'x 7'-6" (365,8 x 228,6 cm)	144" x 90" (365,8 x 228,6 cm)	144" (365,8 cm)	83" (210,9 cm)	90" (228,6 cm)

Requires:

- x2** 2" x 4" x 12'-0" (5,1 x 10,2 x 365,8 cm) **MUST be treated lumber.**
- x2** 2" x 4" x 7'-6" (5,1 x 10,2 x 229,6 cm) **MUST be treated lumber.**
- x1** Caulk

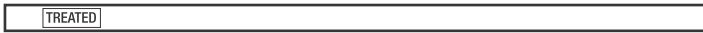
Allow new concrete slabs to cure for at least seven (7) days.

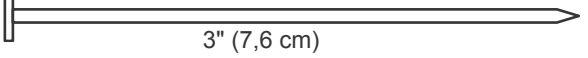
- A treated 2 x 4" (5,1 x 10,2 cm) sill plate is required when installing your shed on concrete. **Hint: Use treated lumber in your kit or purchase full length treated lumber.**
- Use a high quality exterior grade caulk beneath all sill plates.
- Fasten 2 x 4" (5,1 x 10,2 cm) sill plates to slab using approved concrete anchors (**fasteners not included**).
- Check local code for concrete foundation requirements.


NOTES

FLOOR FRAME

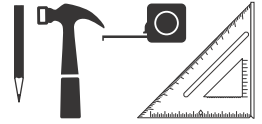
PARTS REQUIRED:

x10  2 x 4 x 87" (5,1 x 10,2 x 221 cm)

x44  3" (7,6 cm)

x2  2 x 4 x 96" (5,1 x 10,2 x 243,8 cm)

Look for
TREATED
Stamp



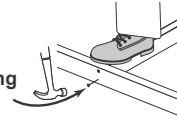
x2  2 x 4 x 48" (5,1 x 10,2 x 121,9 cm)

✓ BEGIN

- 1 Orient parts as shown on flat surface. Measure and mark.
- 2 Use two 3" nails at each mark.

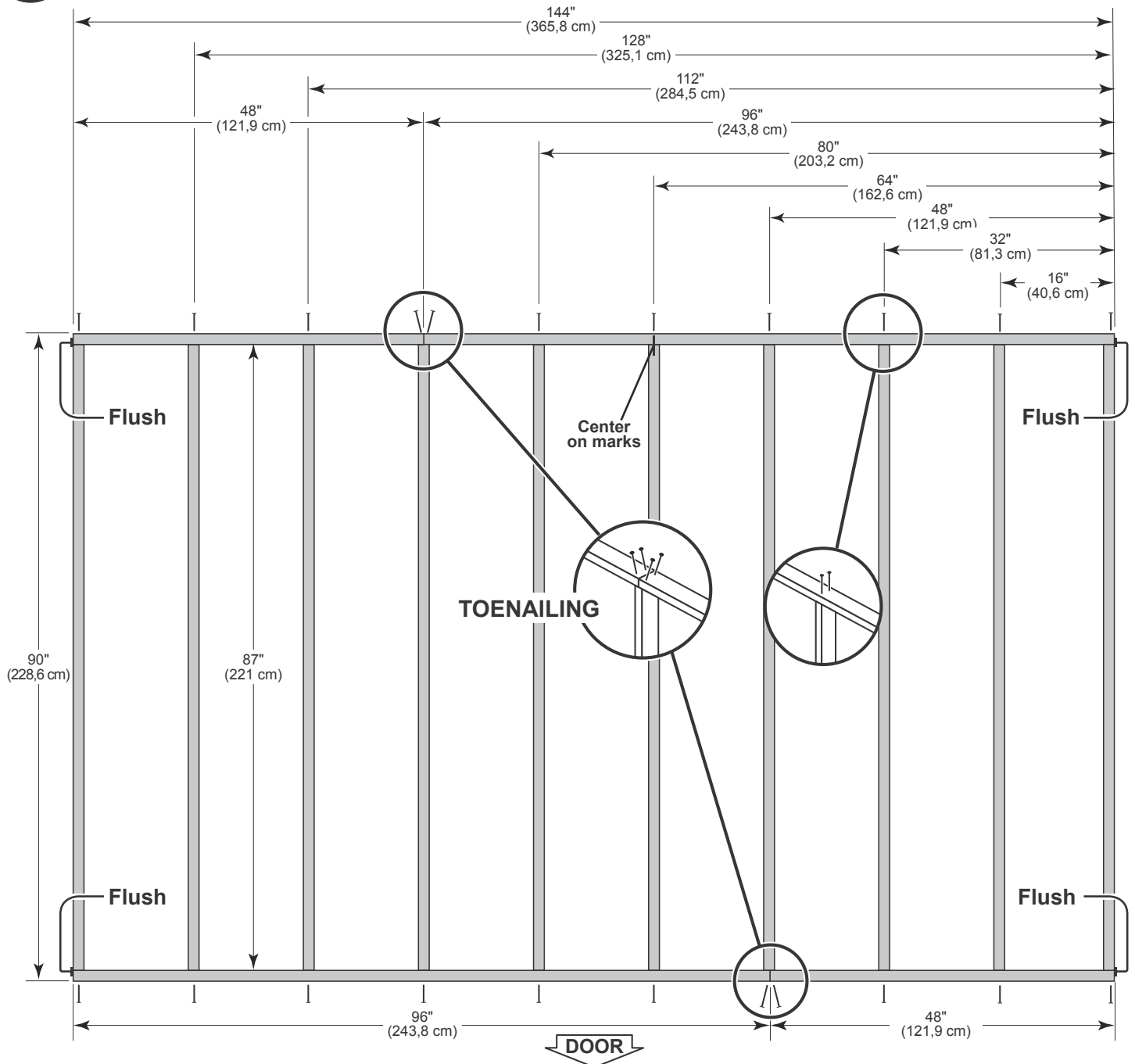


HINT:
For easier nailing
stand on frame.



FINISH

- 3 You have finished your floor frame. Proceed to level and square frame.



STOP!



LEVEL AND SQUARE FLOOR FRAME



Before attaching floor decking, it is important to level and square the floor frame.
A level and square floor frame is required to correctly construct your shed.

STOP!

✓ **BEGIN**

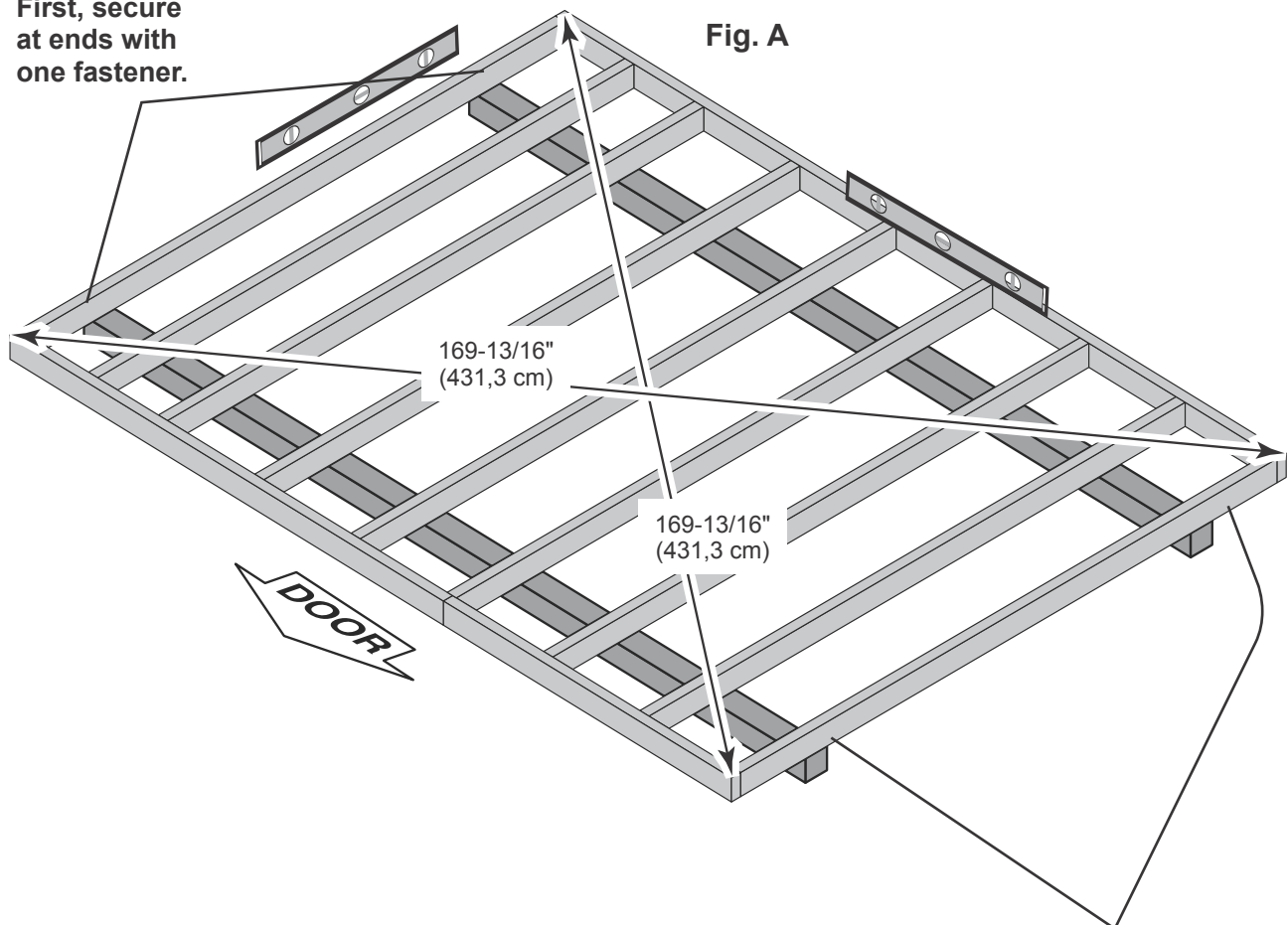
- 1 See page 7 for the preferred floor leveling method.
- 2 Use level and check the frame is level before applying floor panels.
- 3 Check for frame squareness by measuring diagonally across corners. If the measurements are the same, the frame is square. The diagonal measurement will be approximately 169-13/16" (431,3 cm).
- 4 When the frame is level and square secure one side of frame to the 4x4 runners using one fastener at ends of each runner. Move to the opposite end of the frame. Secure the frame to 4x4 runners with one fastener at ends of each runner making sure the frame remains square (**Fig. A**).



FINISH

- 5 Once the floor frame is level and square fasten the frame to the 4x4 runners at each point the frame contacts the 4x4 runners.


**First, secure
at ends with
one fastener.**

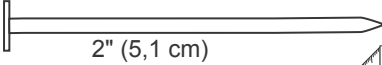


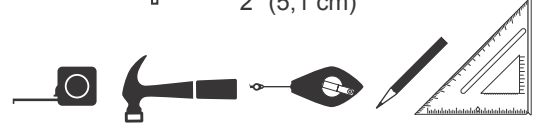
**Second, secure
at ends with
one fastener.**

FLOOR PANELS

PARTS REQUIRED:

x1  5/8 x 48 x 96"
(1,6 x 121,9 x 243,8 cm)

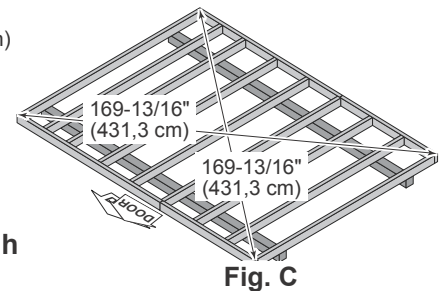
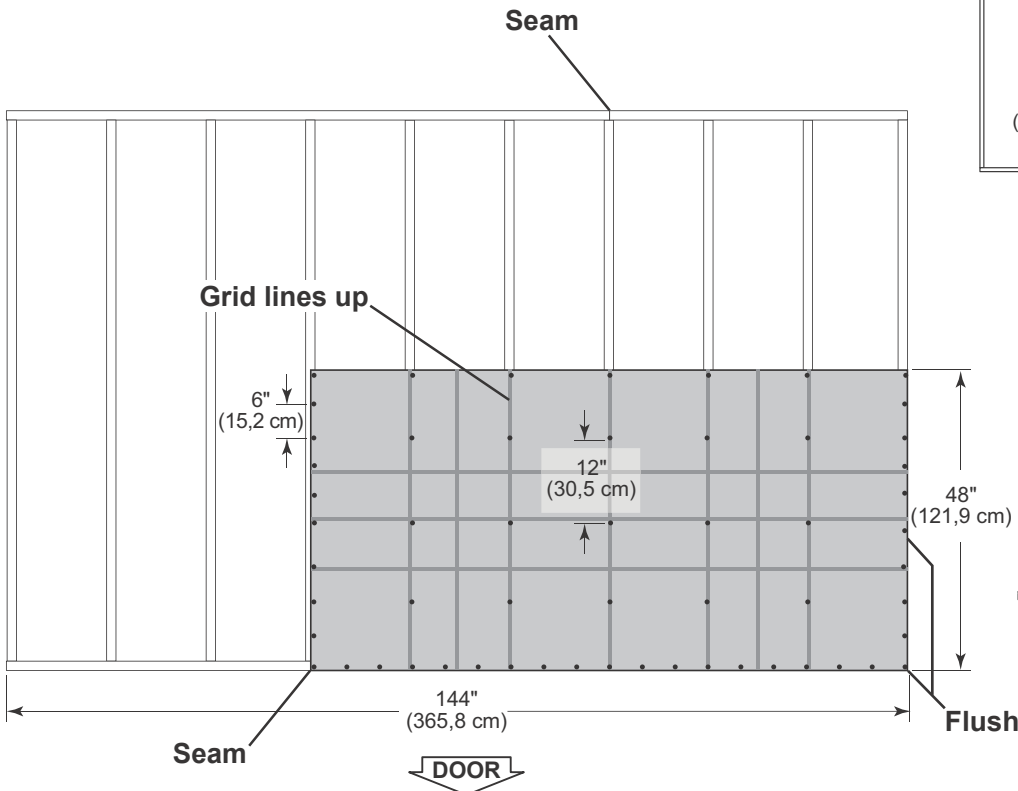
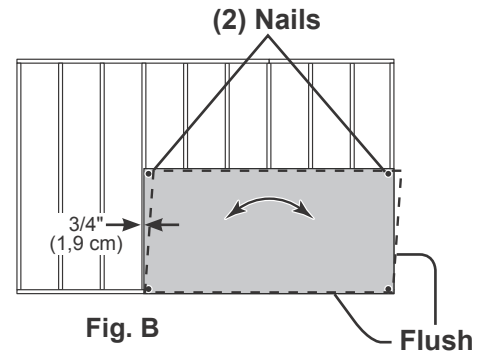
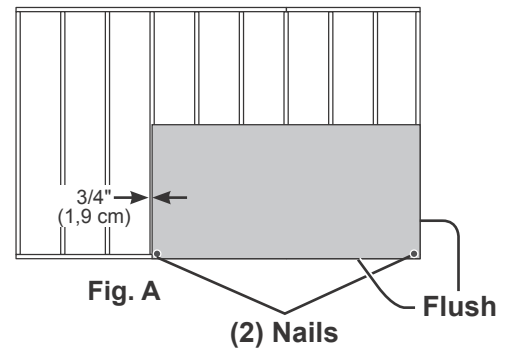
x50  2" (5,1 cm)



 **Ensure your floor frame is square by installing one panel and squaring frame.**

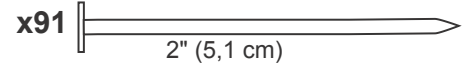
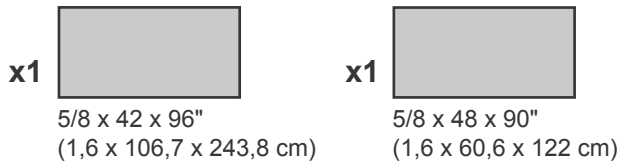
BEGIN

- 1** Attach the 48 x 96" panel with the rough side up (painted-grid lines side) with the 48" edge and corner flush to the floor frame (**Fig A**). Secure panel with two 2" nails in the corners.
- 2** Move to the opposite side. Using the long edge of the panel as a lever, move the panel side-to-side until the top corner is flush to the floor frame (**Fig. B**). Secure panel with two 2" nails in the corners.
- 3** Check the floor frame is square by measuring diagonally across the frame corners. If the measurements are the same your floor frame is square. The measurement will be approximately 169-13/16" (431,3 cm) (**Fig. C**).
- 4** Continue attaching the panel using 2" nails 6" apart on edges and 12" apart inside panel. Use a chalk line or use pre-painted grid lines to nail into joists under panel.



FLOOR PANELS

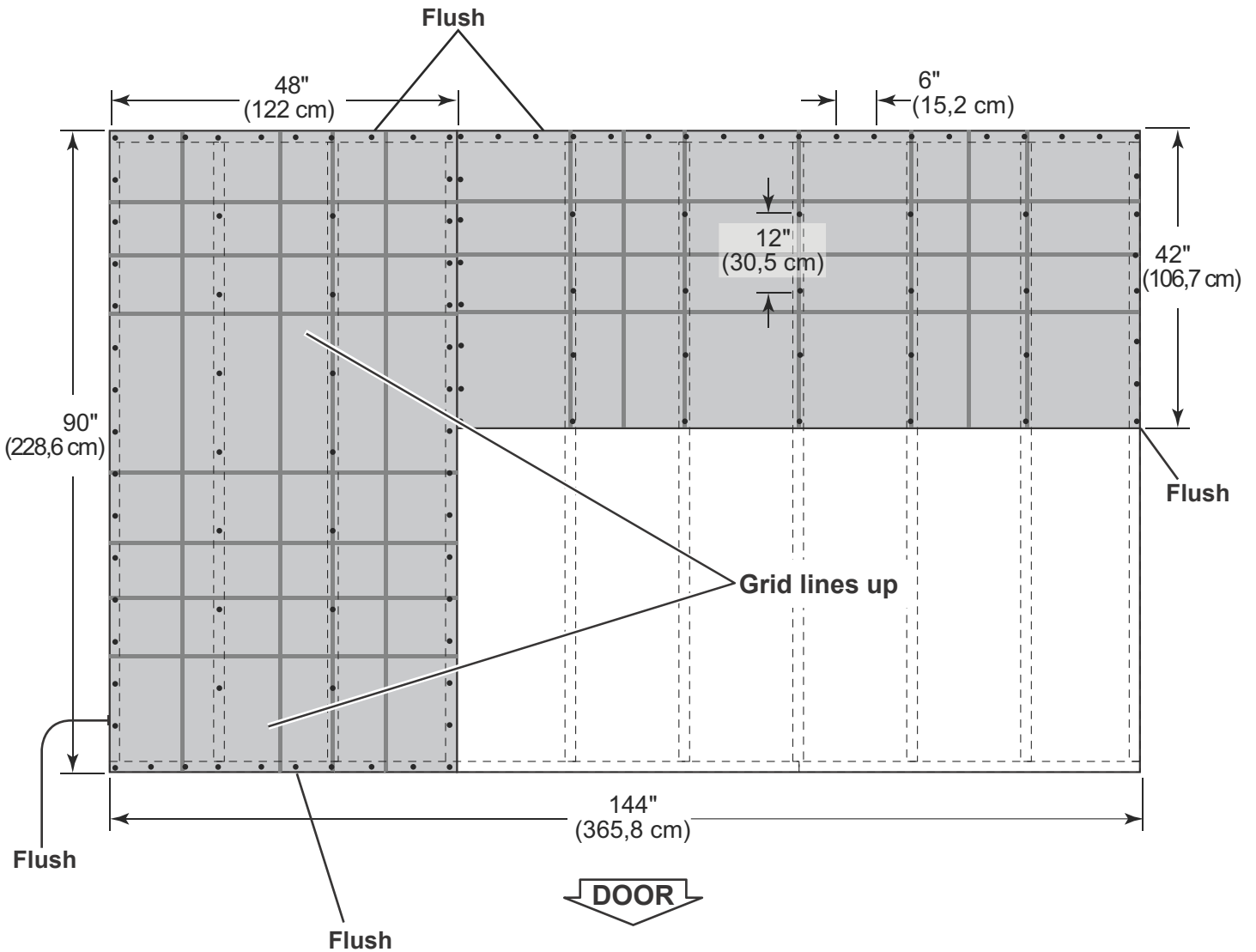
PARTS REQUIRED:



- 5 Continue installing panels with rough side up (painted grid lines).
- 6 Use grid lines on panel for 2" nails 6" apart on edges, and 12" apart inside panels.



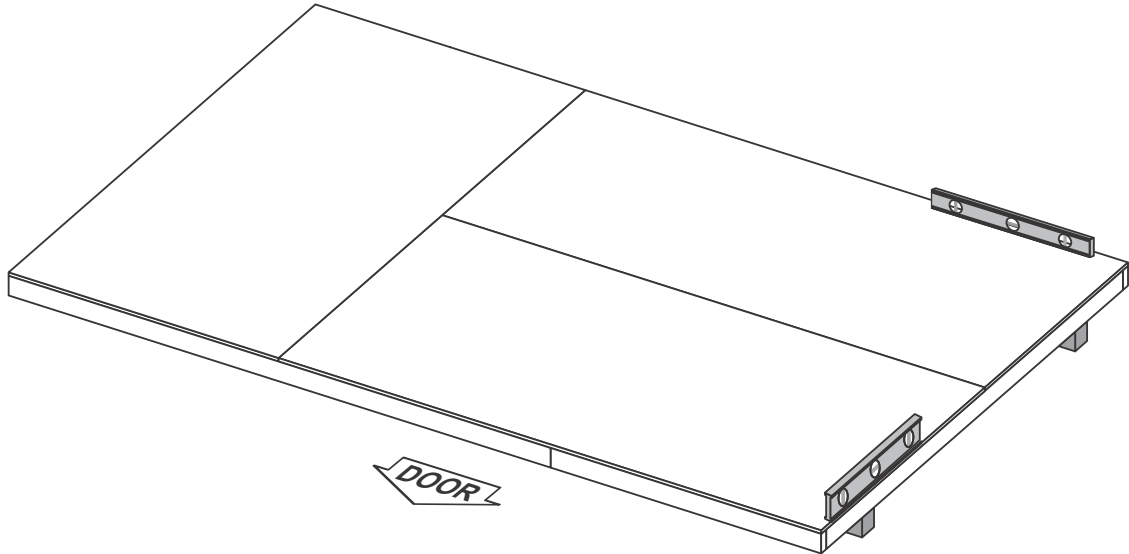
- 7 You have finished attaching your floor panels.



IMPORTANT!

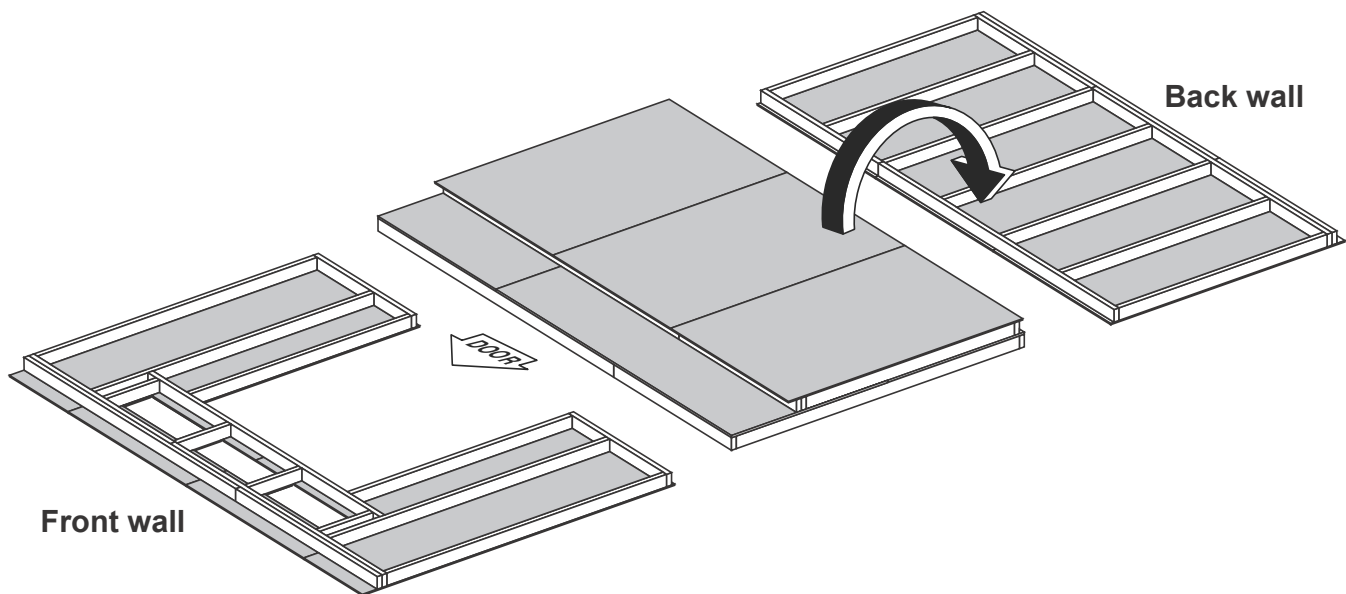
STOP!

Check the floor frame is level after installing floor panels.
Re-level if needed.



HINT:

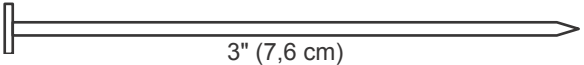
- The floor should be used as a stable work surface for wall construction.
- Organize your assembly procedure during the build process to avoid over-handling of the walls.



BACK WALL FRAME

PARTS REQUIRED:

x2 **SP** 2 x 4 x 48" (5,1 x 10,2 x 121,9 cm)

x32  3" (7,6 cm)

x7 **UX** 2 x 4 x 64" (5,1 x 10,2 x 162,5 cm)

x2 **TP** 2 x 4 x 96" (5,1 x 10,2 x 243,8 cm)

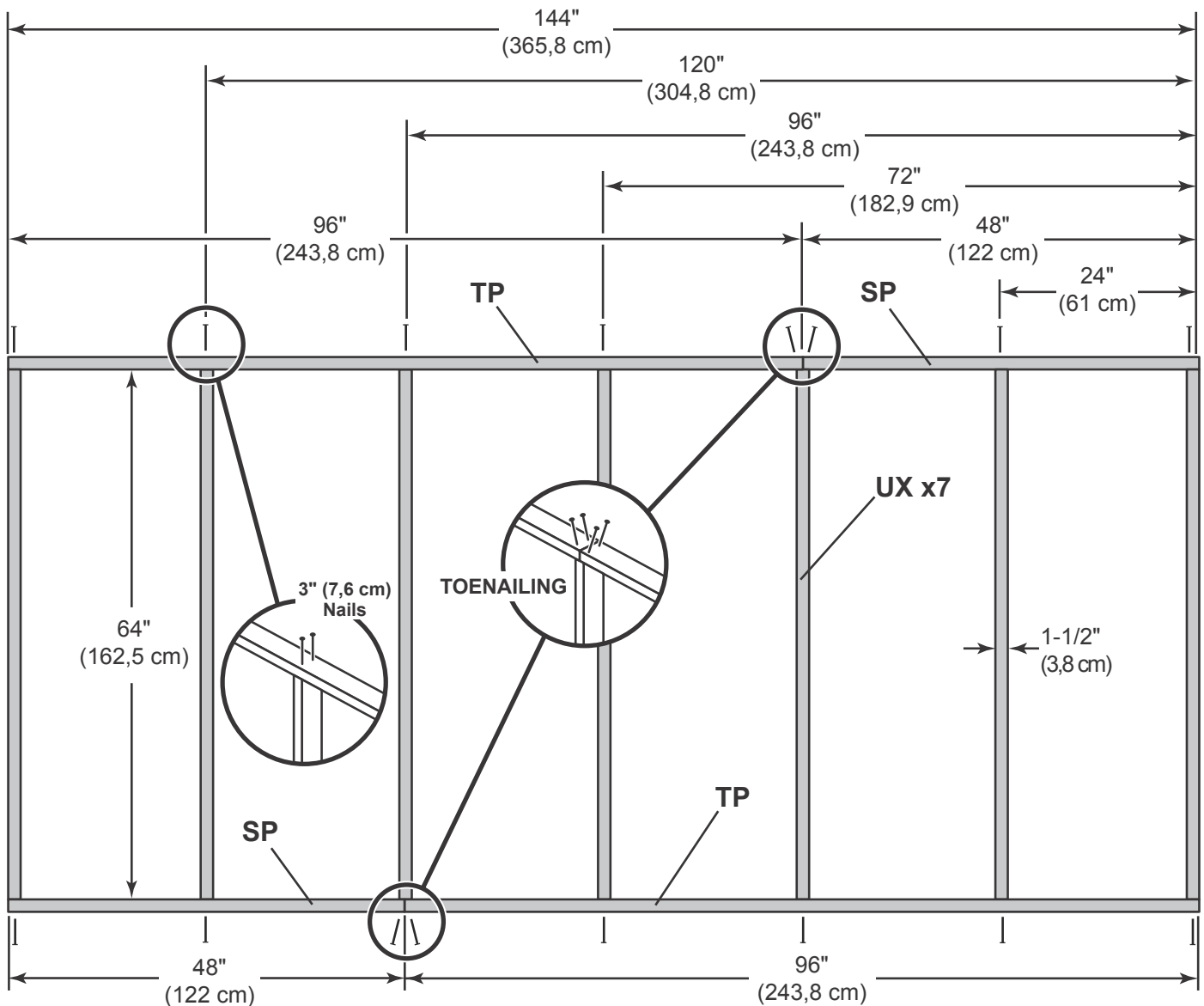
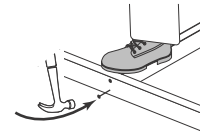


✓ BEGIN

1 Orient parts on edge on floor. Measure and mark.

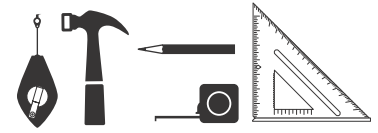
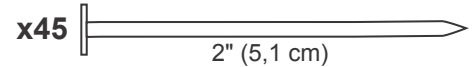
 **HINT:**
For easier nailing
stand on frame.



2 Use two 3" nails at each mark and four 3" nails at seams

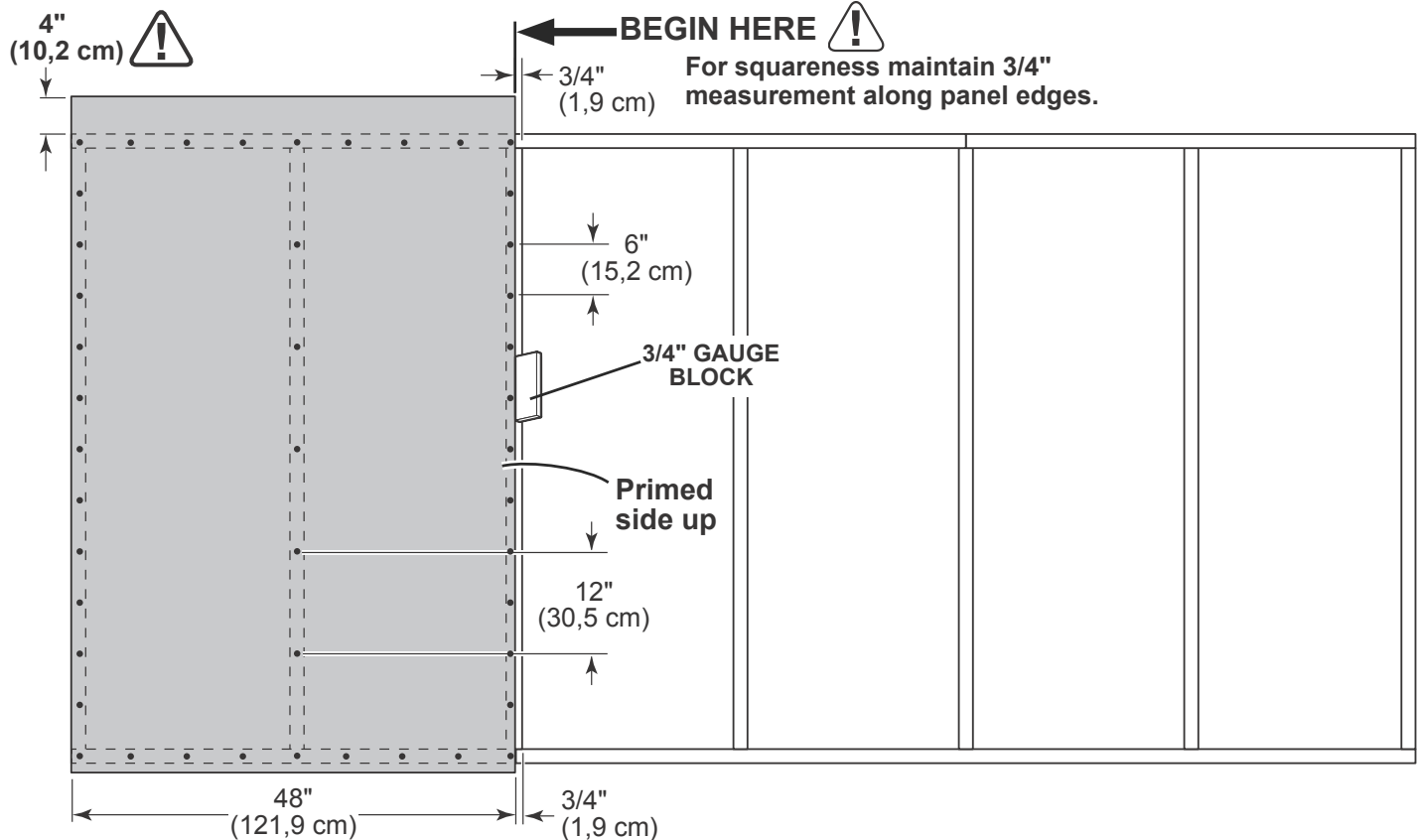
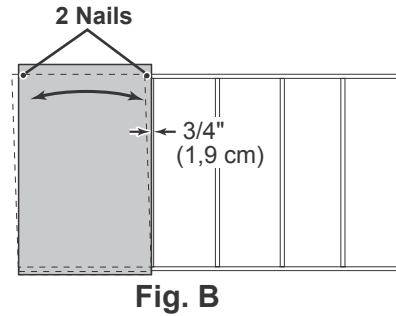
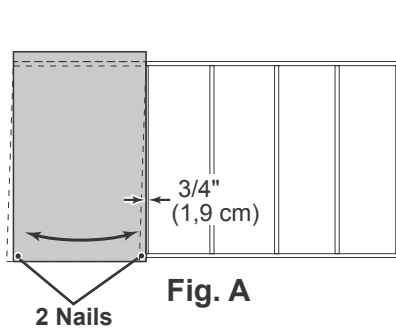


BACK WALL PANELS

PARTS REQUIRED:

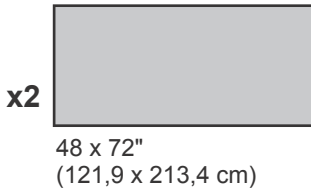


-  • Ensure your wall frame is square by installing one panel and squaring frame.
-  • Ensure top of panel is overhanging the top of frame by 4".
- 3** Place **48 x 72"** panel onto wall frame with primed side up as shown.
Use the gauge block to mark the 3/4" measurement on the wall stud. Secure panel with two 2" nails in the corners (**Fig. A**).
- 4** Move to the opposite end. Using the long edge of the panel as a lever move the panel side-to-side until you have a 3/4" measurement on the wall stud. Secure corner with two 2" nails (**Fig. B**).
- 5** Nail the panel using 2" nails 6" apart on edges and 12" apart inside panel.

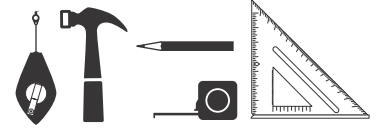
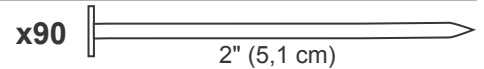


BACK WALL PANELS

PARTS REQUIRED:



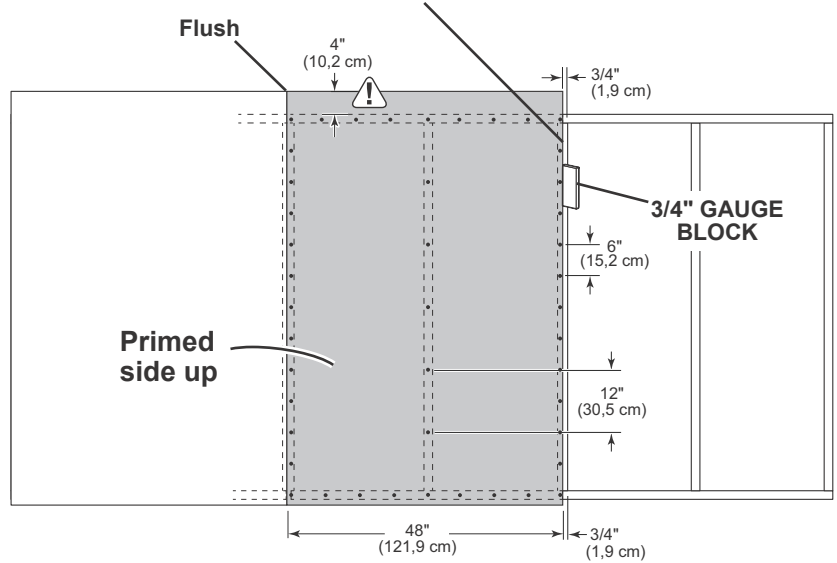
3/4" GAUGE
BLOCK



- 6** Place center **48" x 72"** panel on frame as shown with primed side facing up.

Nail using 2" nails 6" apart on edges and 12" apart inside panel.

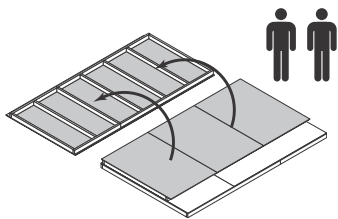
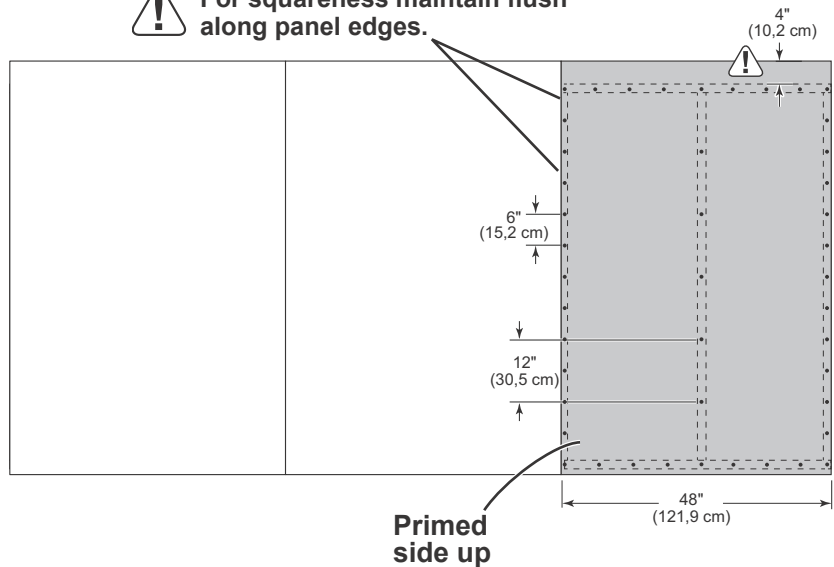
! For squareness maintain 3/4" measurement along panel edges.



- 7** Place end **48" x 72"** panel on frame as shown with primed side facing up.

Nail using 2" nails 6" apart on edges and 12" apart inside panel.

! For squareness maintain flush along panel edges.



- 8** Carefully flip the BACK wall over.

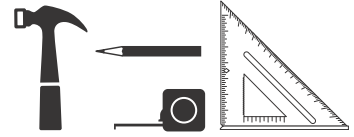
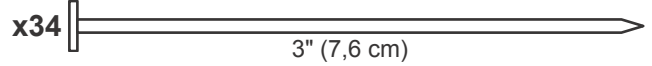


- 9** You have finished building your back wall.

FRONT WALL FRAME

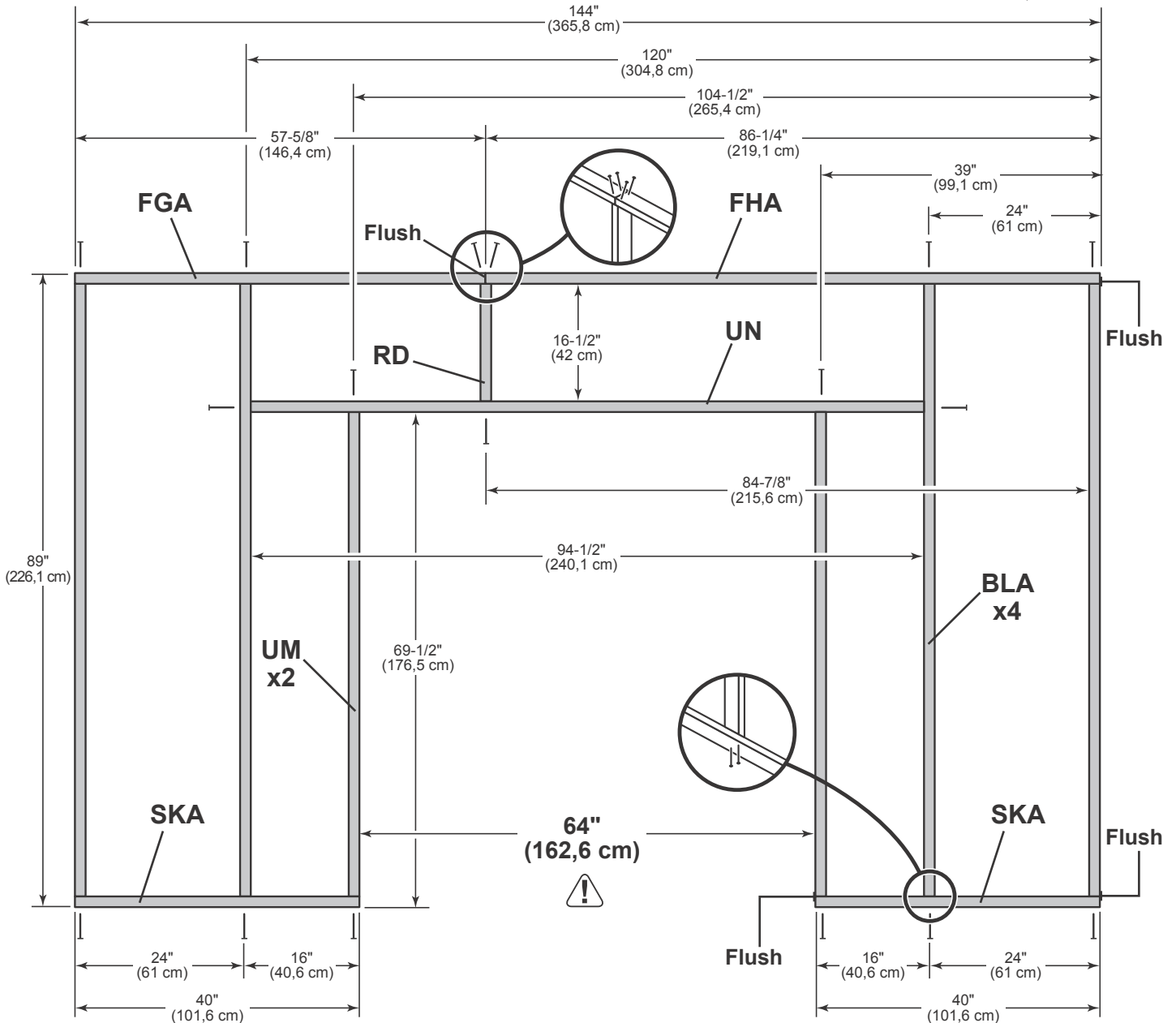
PARTS REQUIRED:

- x1 **RD** 2 x 4 x 16-1/2" (5,1 x 10,2 x 42 cm)
- x2 **SKA** 2 x 4 x 40" (5,1 x 10,2 x 101,6 cm)
- x1 **FGA** 2 x 4 x 57-5/8" (5,1 x 10,2 x 146,4 cm)
- x2 **UM** 2 x 4 x 68" (5,1 x 10,2 x 172,7 cm)
- x4 **BLA** 2 x 4 x 86" (5,1 x 10,2 x 218,4 cm)
- x1 **FHA** 2 x 4 x 86-1/4" (5,1 x 10,2 x 219,1 cm)
- x1 **UN** 2 x 4 x 94-1/2" (5,1 x 10,2 x 240 cm)



✓ BEGIN

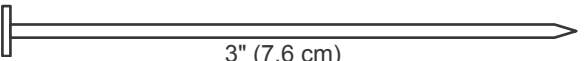
- 1 For front wall, orient parts on edge on floor. Measure and mark.
- 2 Use two 3" nails at each mark and four 3" nails at seams.

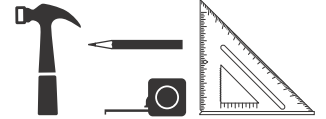


FRONT WALL FRAME

PARTS REQUIRED:

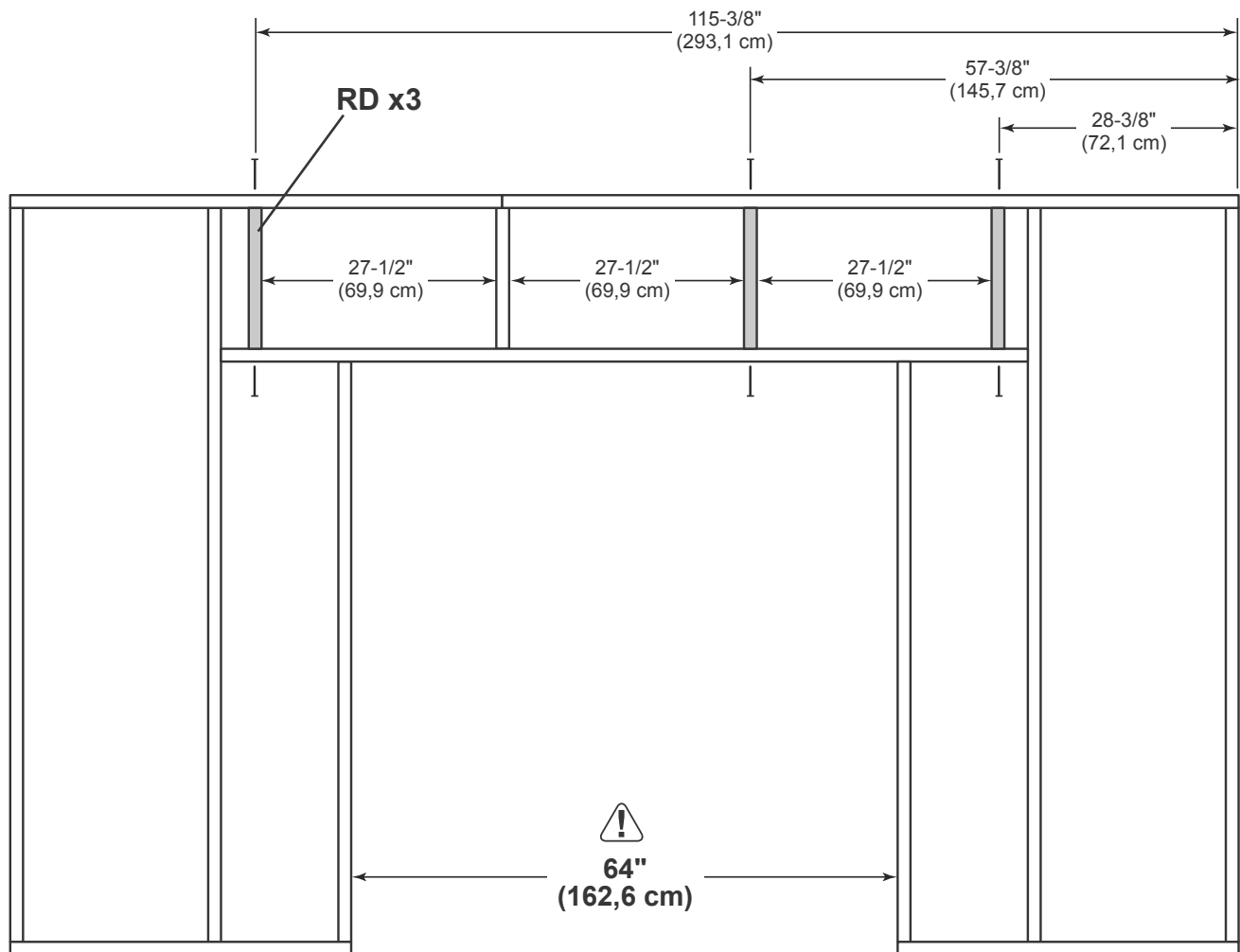
x3 **RD** 2 x 4 x 16-1/2" (5,1 x 10,2 x 41,9 cm)

x12  3" (7,6 cm)



3 Orient parts on edge as shown. Measure and mark.

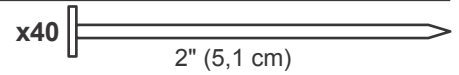
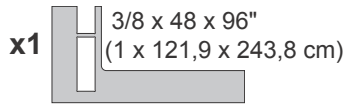
4 Use two 3" nails at each mark.



5 You have finished building your front wall frame.

FRONT WALL PANELS

PARTS REQUIRED:



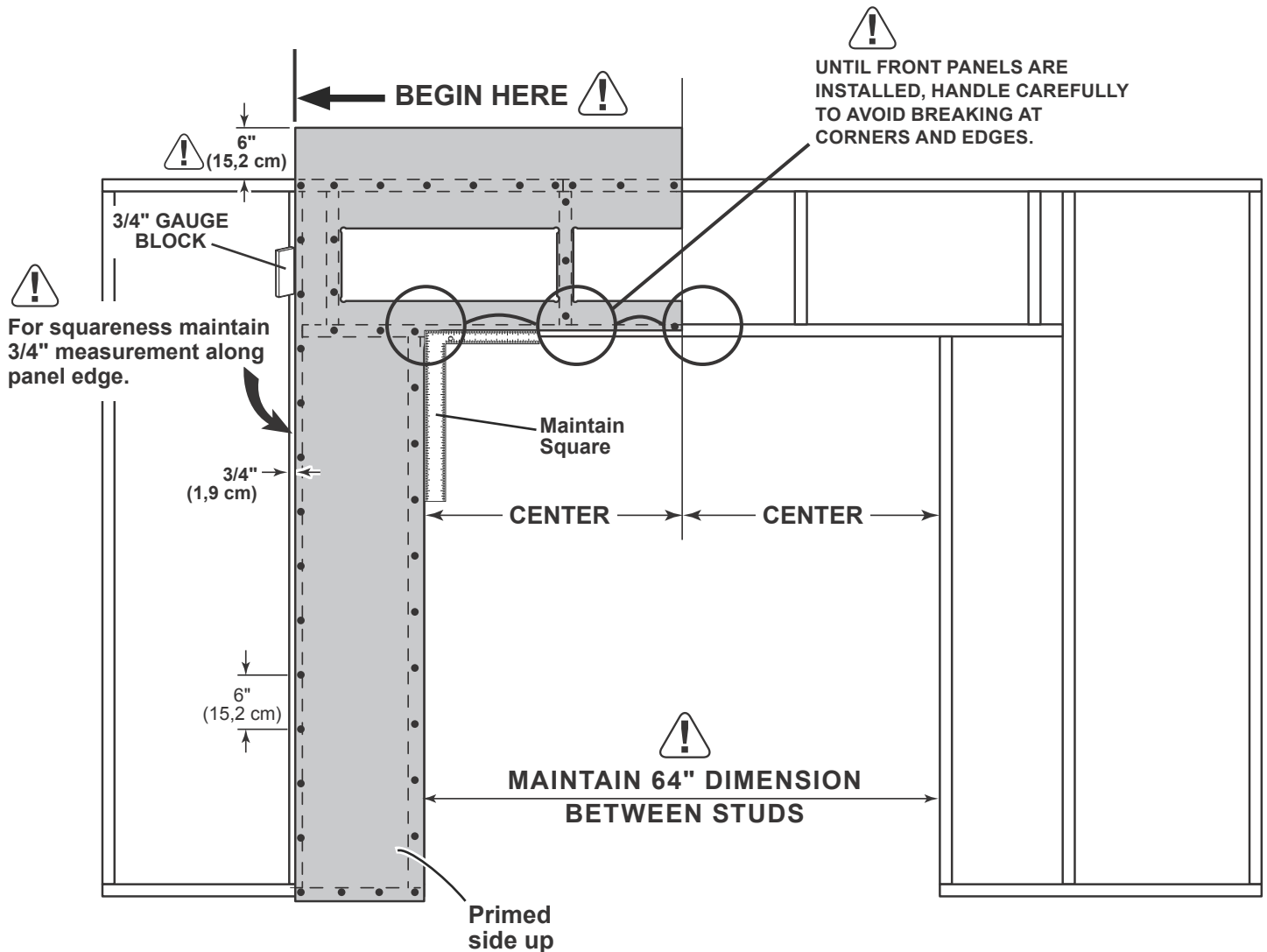
 Handle panels with care to avoid breakage.

1 Place 48 x 96" left panel primed side up onto wall frame centered in door opening as shown.

 • Ensure top of panel is overhanging the top of frame by 6".

 • Hold the 3/4" measurement along left edge of panel. Use a gauge block.

2 Nail panel with two 2" nails 6" (15,2 cm) apart. Maintain 64" (162,5 cm) measurement between studs and square frame.



FRONT WALL PANELS

PARTS REQUIRED:



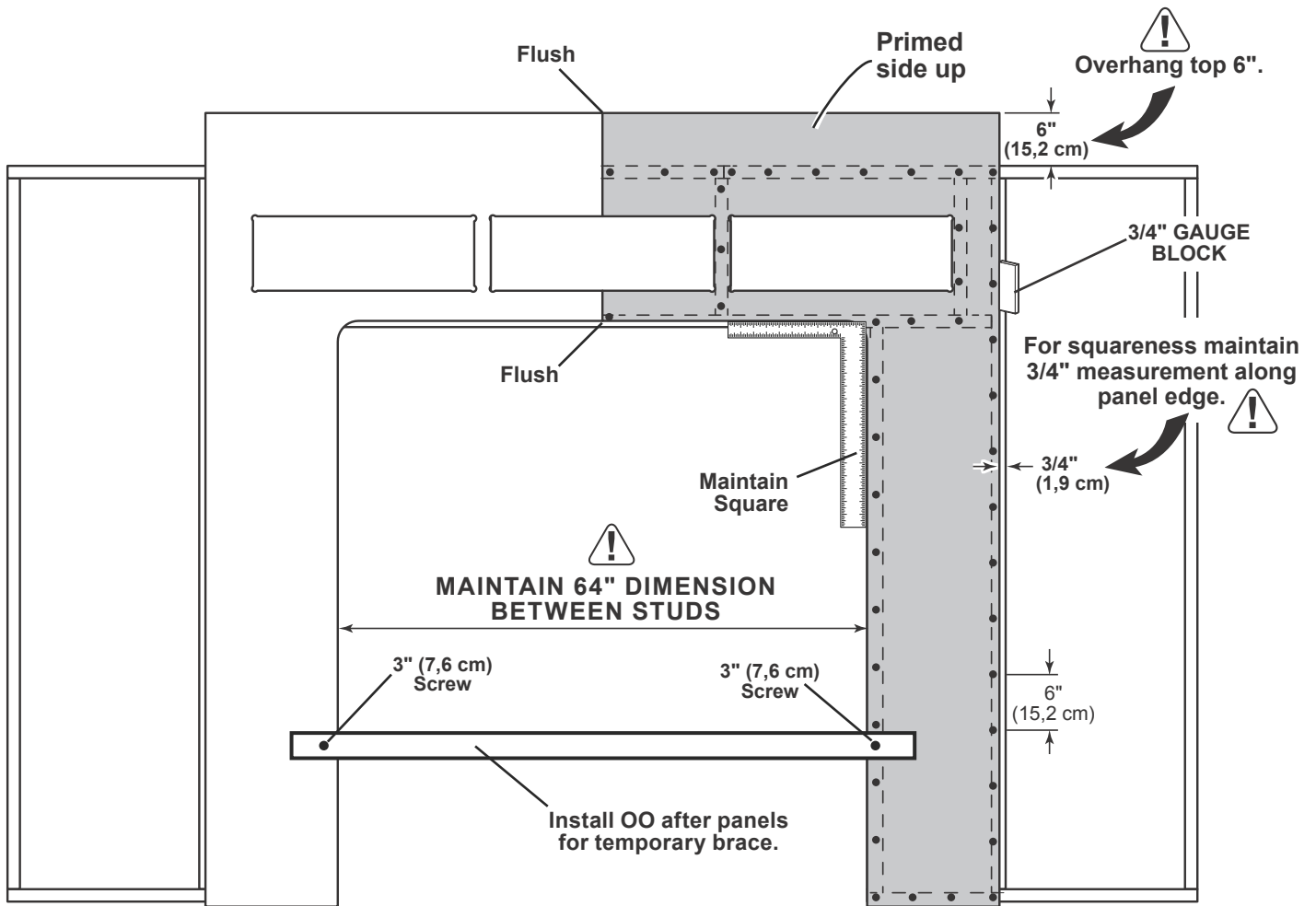
3 Place 48 x 96" right panel primed side up onto wall frame flush to left panel.

! • Hold the 3/4" measurement along right edge of panel. Use a gauge block.

! • Ensure top of panel is overhanging the top of frame by 6".


4 Nail panel with two 2" nails 6" (15,2 cm) apart. Maintain 64" (162,5 cm) measurement between studs and square frame.


5 Use OO as a brace to maintain 64" (162,6 cm) opening. Use two 3" screws to attach.

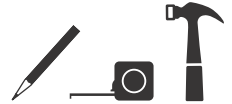


FRONT WALL PANELS

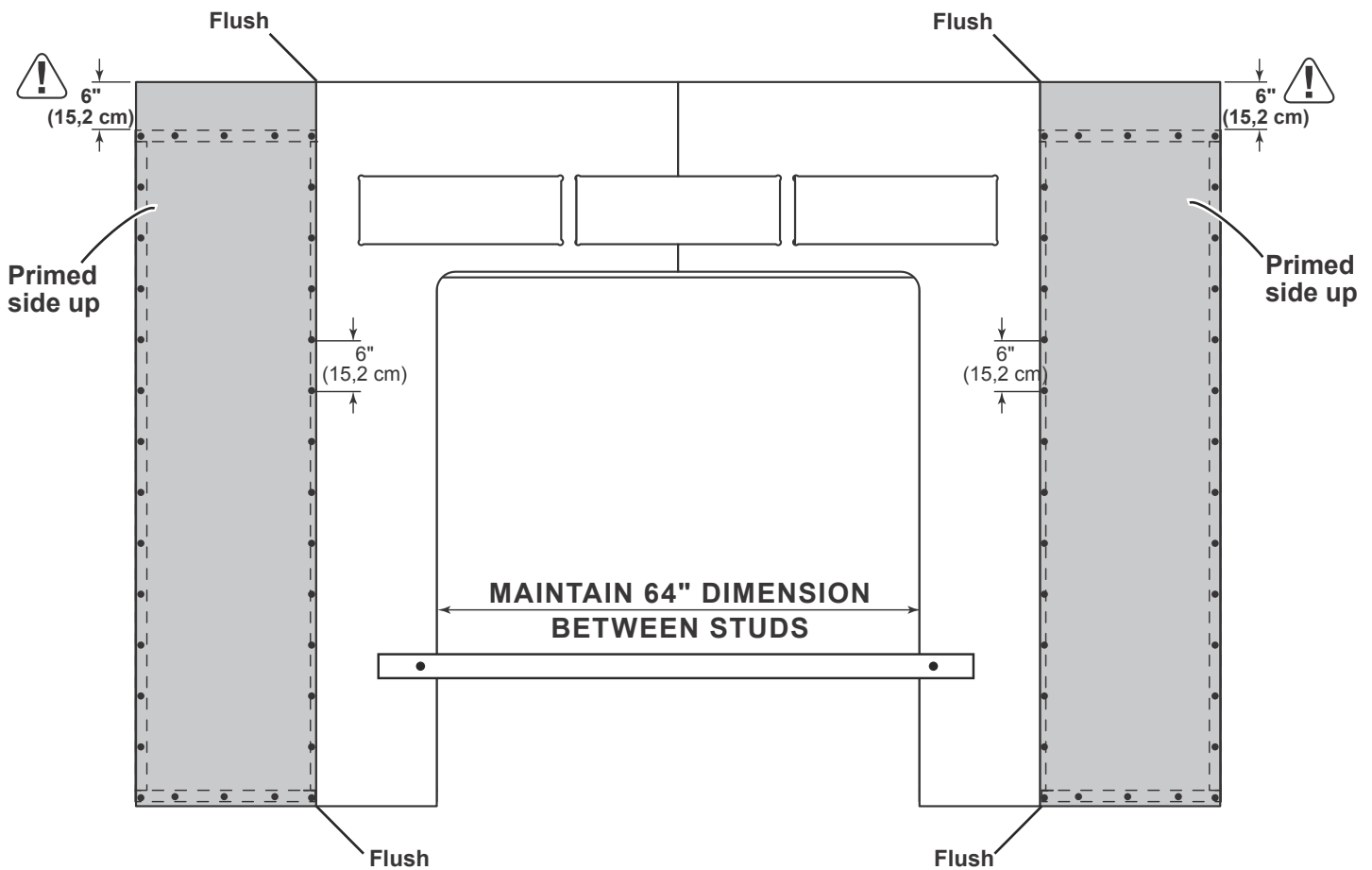
PARTS REQUIRED:

x2  3/8 x 23-7/8 x 96" (1 x 60,6 x 243,8 cm)

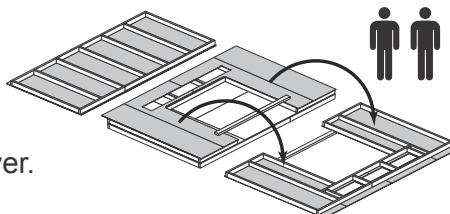
x68  2" (5,1 cm)



- 6 Place **23-7/8 x 96"** panel onto wall frame flush to left **48 x 96"** panel with primed side up as shown.
 - Ensure top of panel is overhanging the top of frame by 6".
- 7 Nail the panel using 2" nails 6" apart on edges.
- 8 Repeat steps 6 and 7 to attach the right panel.



- 9 You have finished building your front wall.



- 10 Carefully flip the FRONT WALL over.

BACK WALL INSTALLATION

PARTS REQUIRED:

x2 **JDA** **TEMPORARY**
2 x 4 x 80-11/16" (5,1 x 10,2 x 204,9 cm)



- x2 3" (7,6 cm)
- x12 3" (7,6 cm)
- x25 2" (5,1 cm)

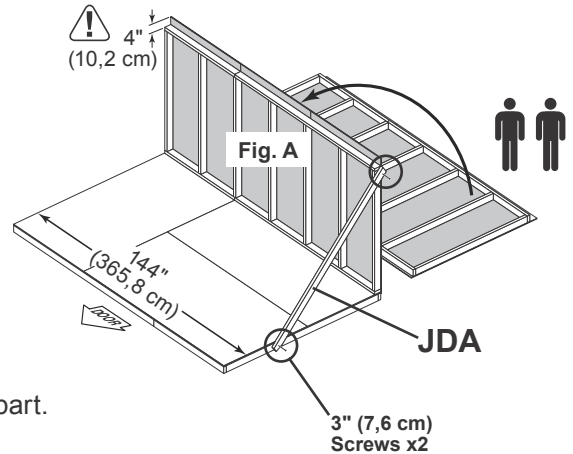
✓ BEGIN

Stand backwall on floor.

It is important to secure the backwall in the following order.
ENSURE 4" MEASUREMENT IS AT TOP OF BACK WALL ASSEMBLY.

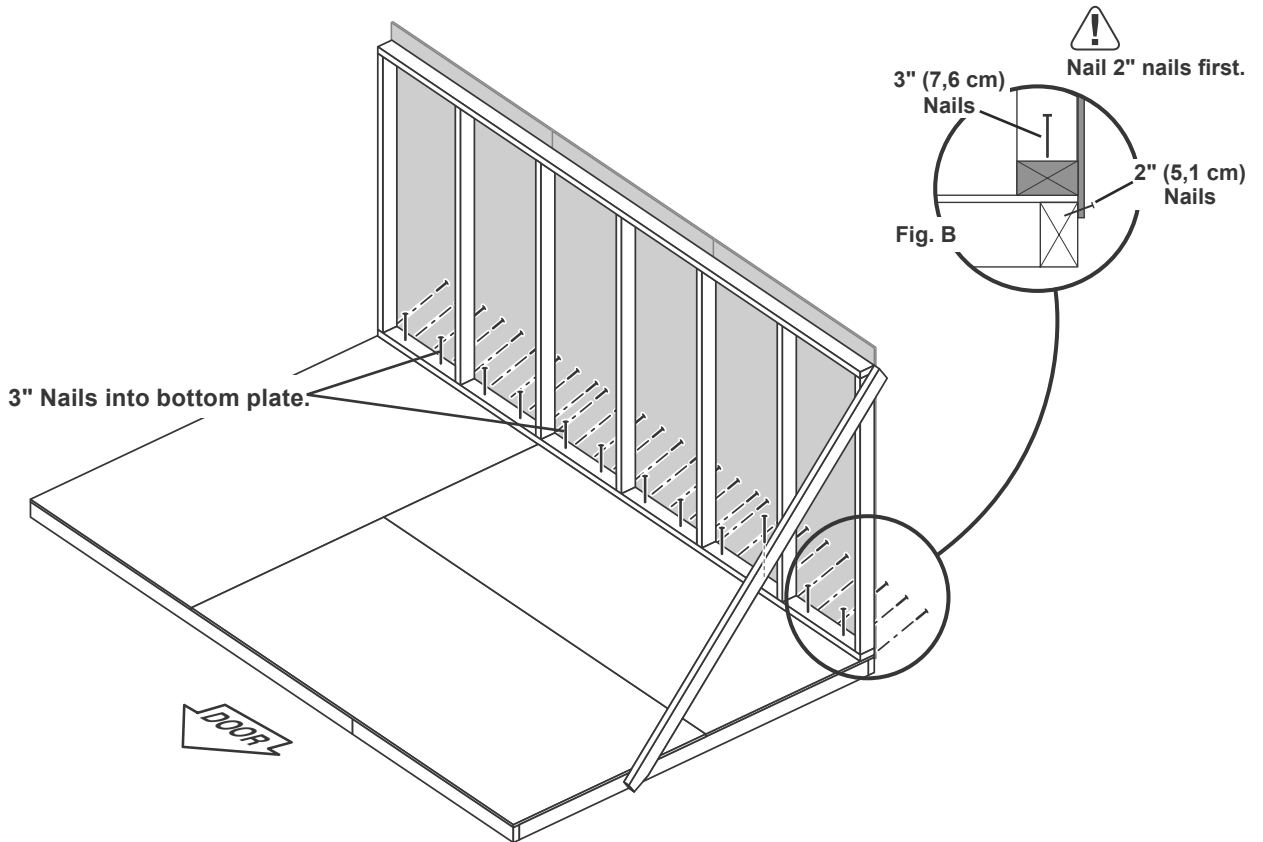
1 Center back wall assembly on the 144" floor dimension.

2 Use (2) JDA as a temporary brace. Level wall and secure JDA with two 3" screws (Fig. A).



3 First, nail lower edge of panel to floor frame using 2" nails 6" apart. Angle nail to hit floor frame (Fig. B).

4 Secure side wall bottom plate to floor using 3" nails (Fig. B).



FINISH

5 You have finished standing your BACK WALL.

FRONT WALL INSTALLATION

PARTS REQUIRED (TEMPORARY):

x2 **BOA**
2 x 4 x 93-3/16" (5,1 x 10,2 x 236,7 cm)



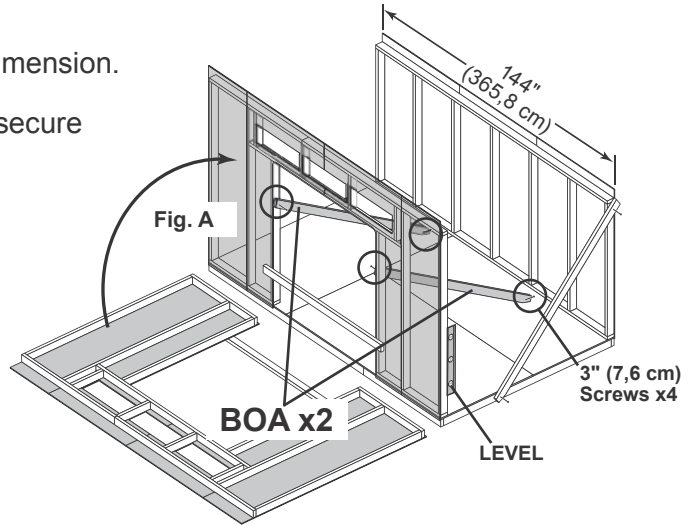
x4 3" (7,6 cm)
x8 3" (7,6 cm)
x14 2" (5,1 cm)

✓ BEGIN

Stand front wall on floor.

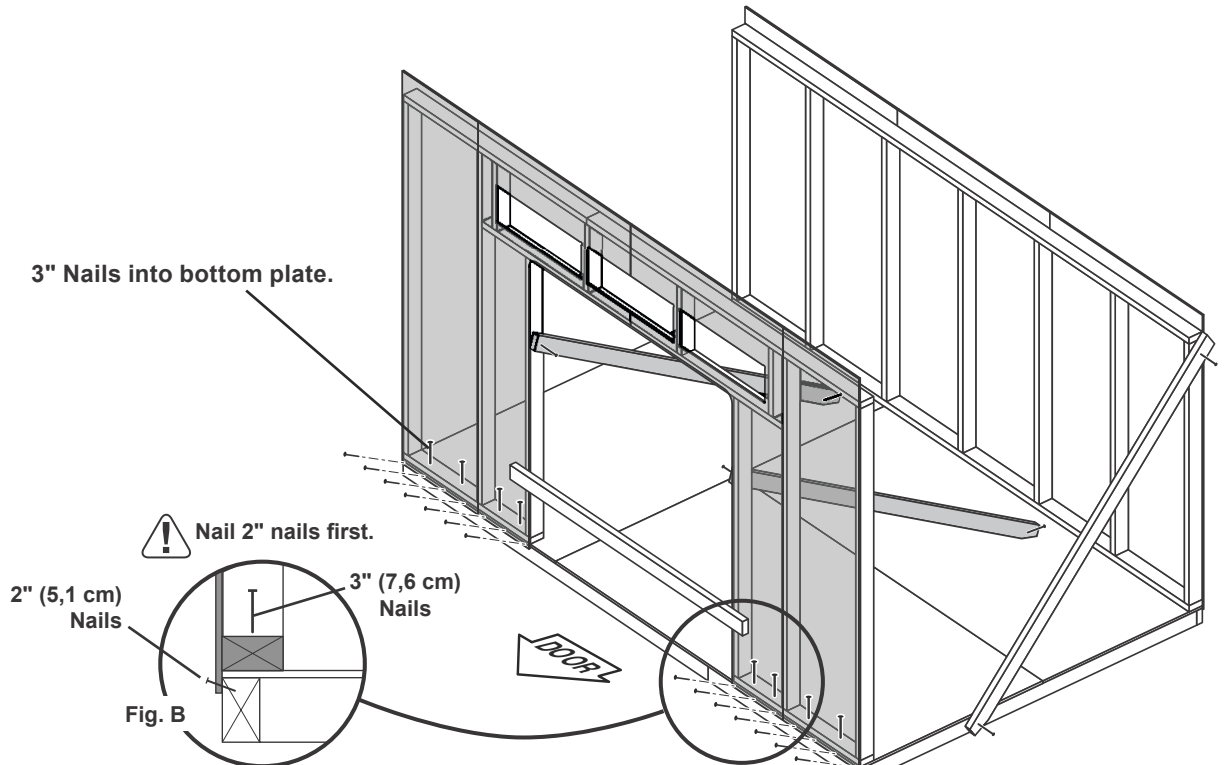
1 Center front wall assembly on the 144" front floor dimension.

2 Use (2) BOA as temporary braces. Level wall and secure BOA with two 3" screws.



3 First, nail lower edge of panel to floor frame using 2" nails 6" apart. Angle nail to hit floor frame (Fig. B).

4 Secure front wall bottom plates to floor using (8) 3" nails (Fig. B).

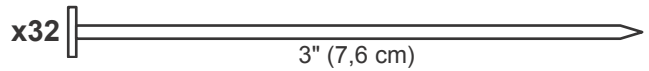


5 You have finished standing your FRONT WALL.

DOUBLER INSTALLATION

PARTS REQUIRED:

- x1 **SP** 2 x 4 x 48" (5,1 x 10,2 x 122 cm)
- x1 **FGA** 2 x 4 x 57-5/8" (5,1 x 10,2 x 146,4 cm)
- x1 **TP** 2 x 4 x 96" (5,1 x 10,2 x 243,8 cm)
- x1 **FHA** 2 x 4 x 86-1/4" (5,1 x 10,2 x 219,1 cm)

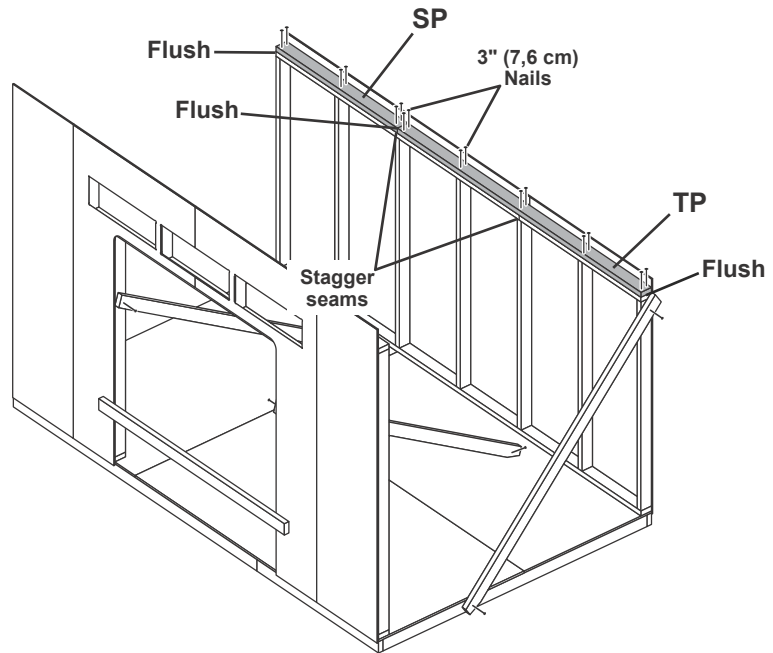


✓ BEGIN

1 For back wall, orient parts on flat on top of wall frame.

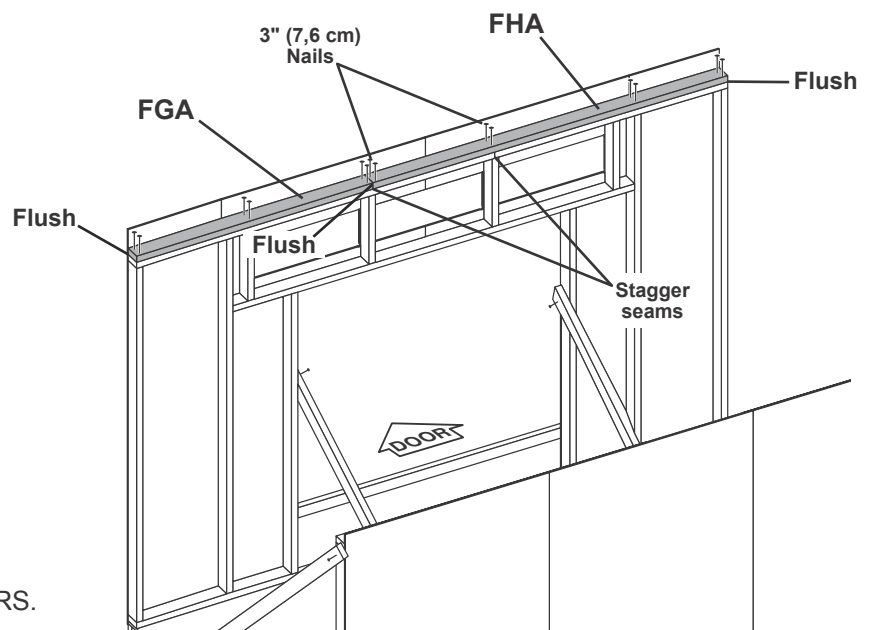
! BE SURE DOUBLERS ARE FLUSH. !

2 Use two 3" nails at each stud and four 3" nails at seam.



3 For front wall, use 3" nails as shown. Use (4) 3" nails at seam.

! BE SURE DOUBLERS ARE FLUSH. !

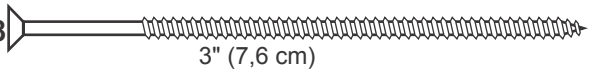


4 You have finished installing your DOUBLERS.

OUTER RAFTER INSTALLATION

PARTS REQUIRED:

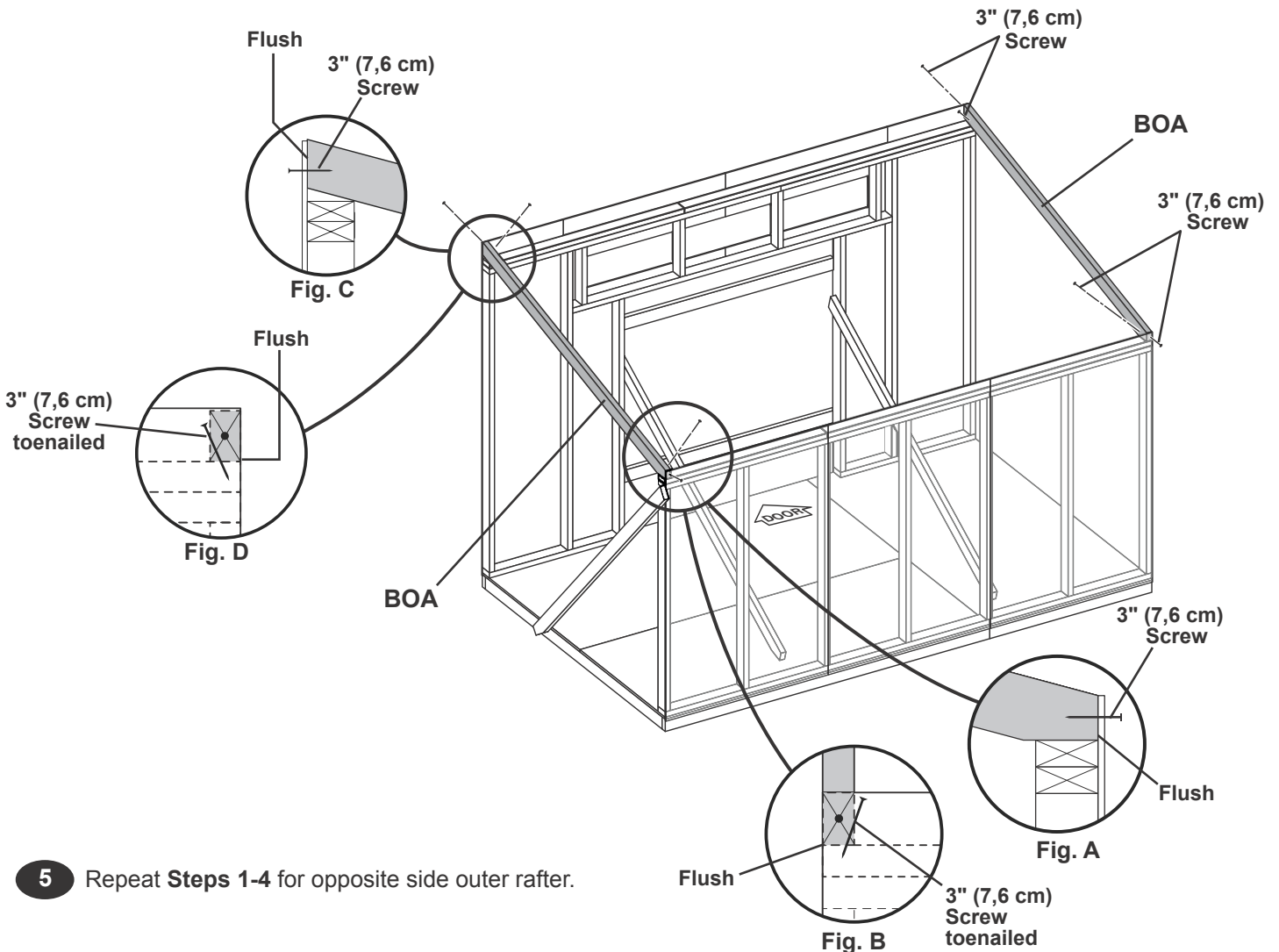
x2 **BOA**
2 x 4 x 93-3/16" (5,1 x 10,2 x 236,7 cm)

x8  3" (7,6 cm)



✓ BEGIN

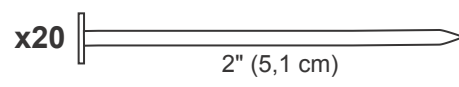
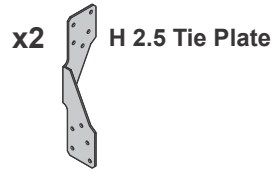
- 1 Rest one outer rafter on front and back wall doublers. Ensure rafter is flush to back wall panel (**Fig. A**) and flush to end of back wall doubler (**Fig. B**).
- 2 Secure back of outer rafter using 3" screw installed centered into outer rafter end (**Fig. A**) and afterwards toenailed into inside of rafter (**Fig. B**).
- ⚠ **DO NOT OVER-DRIVE SCREW THROUGH PANEL.**
- 3 Orient front of outer rafter flush to front wall panel (**Fig. C**) and flush to end of front wall doubler (**Fig. D**).
- 4 Secure front of outer rafter using 3" screws installed centered into outer rafter end (**Fig. C**) and afterwards toenailed into inside of rafter (**Fig. D**).



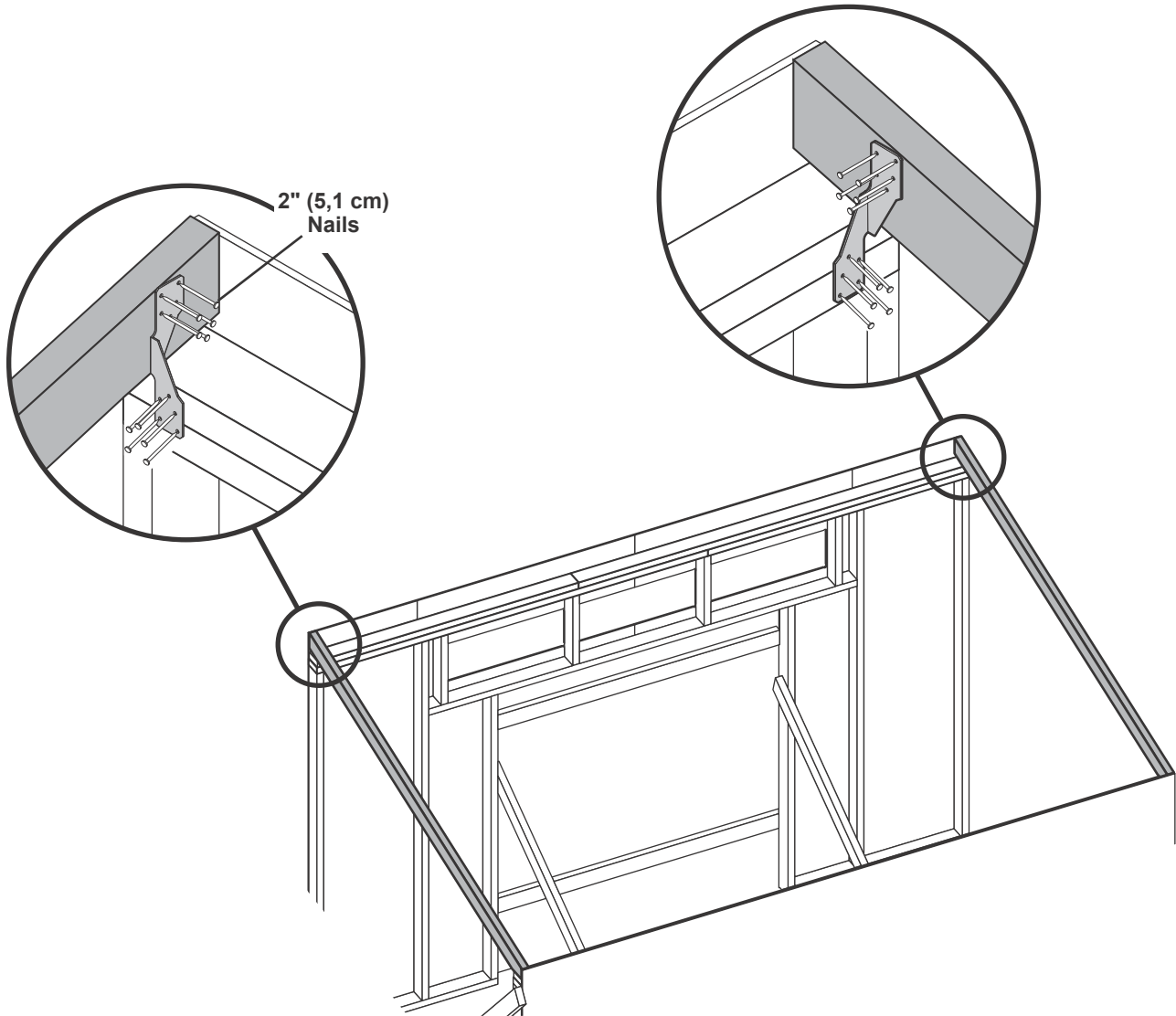
- 5 Repeat **Steps 1-4** for opposite side outer rafter.

OUTER RAFTER INSTALLATION

PARTS REQUIRED:



6 Attach tie plates with 2" nails as shown.

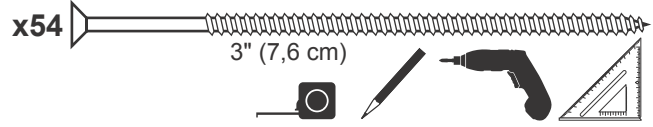


7 You have finished installing your outer rafters.

RAFTERS

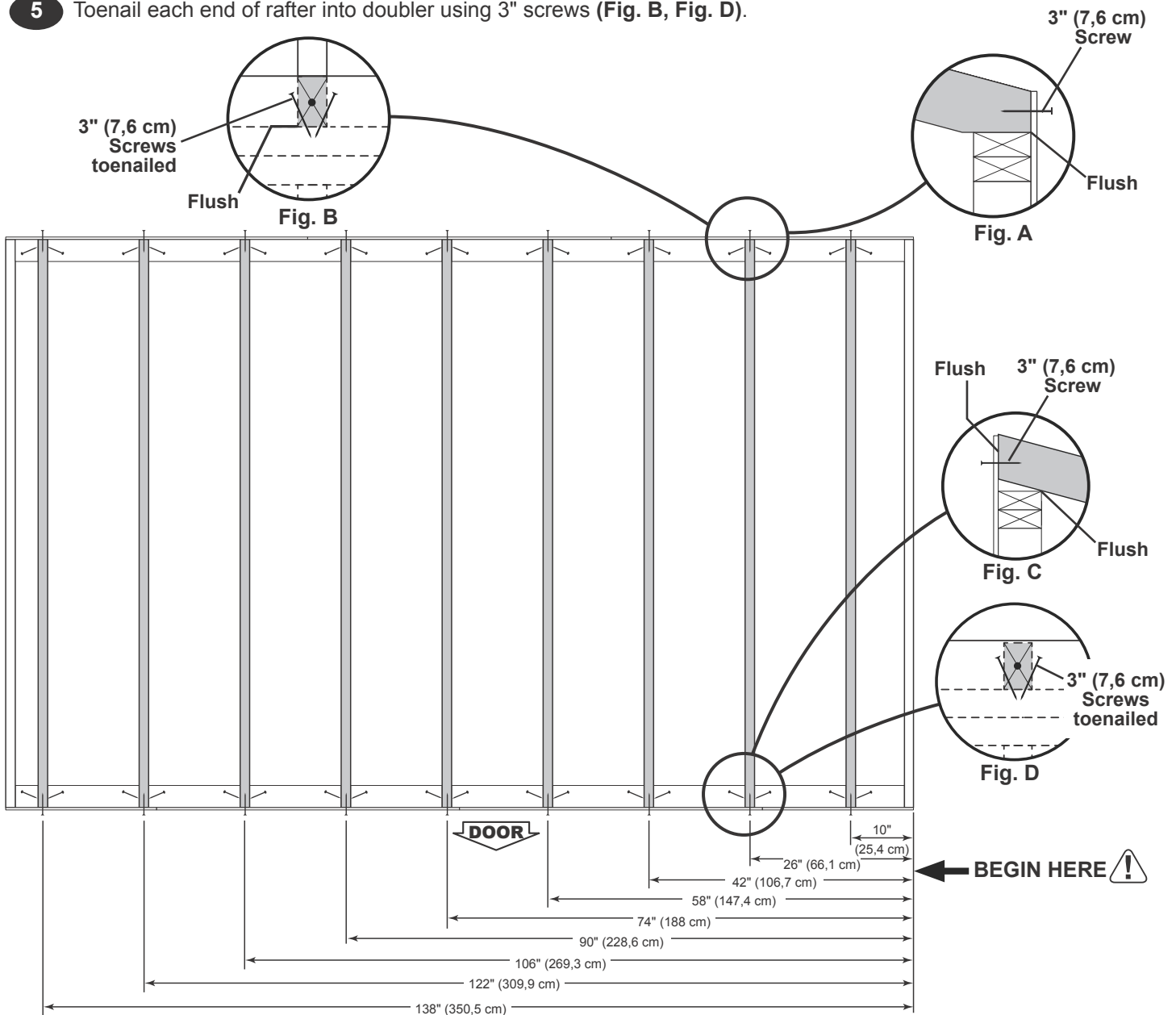
PARTS REQUIRED:

x9 **BOA**
2 x 4 x 93-3/16" (5,1 x 10,2 x 236,7 cm)



BEGIN

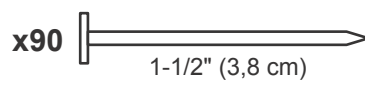
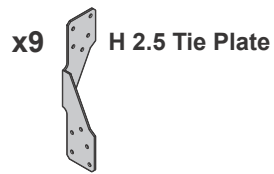
- 1 Starting at end as shown, measure and mark location of each rafter.
- 2 Place rafter on front and back wall doublers. Line up rafter centered with marks. Ensure rafter is flush to back wall panel (**Fig. A**) and flush down on top of back wall doubler (**Fig. B**).
- 3 Secure back of rafter using 3" screw installed centered into outer rafter end (**Fig. A**).
⚠ DO NOT OVER-DRIVE SCREW THROUGH PANEL.
- 4 Line up rafter centered with marks on front doubler. Ensure rafter is flush to front wall panel (**Fig. C**) and resting flush on top of front doubler (**Fig. C**). Secure front of rafter using 3" screw installed centered into outer rafter end (**Fig. C**).
- 5 Toenail each end of rafter into doubler using 3" screws (**Fig. B**, **Fig. D**).



- 6 Repeat steps 2 through 5 to install (6) remaining rafters.

OUTER RAFTER INSTALLATION

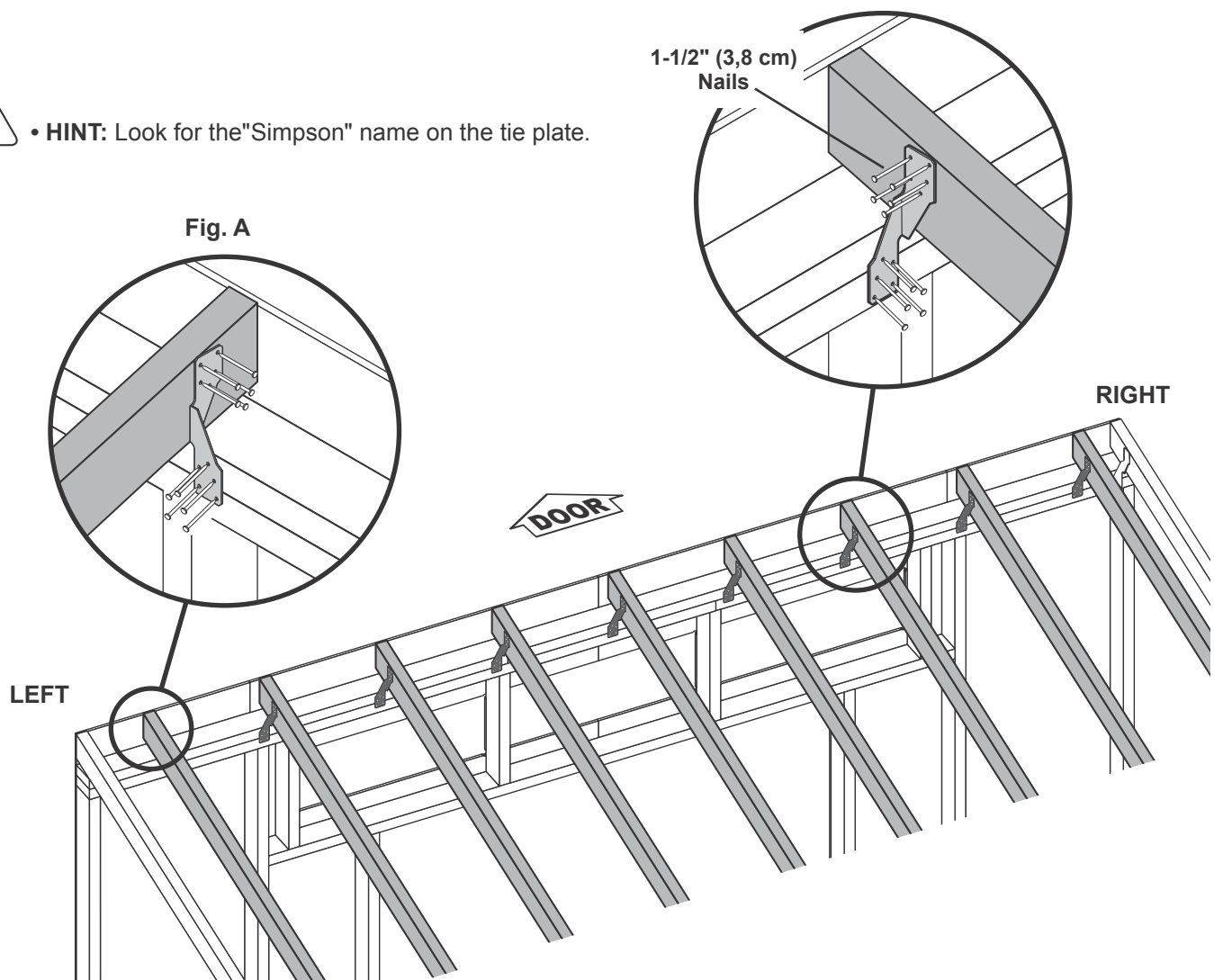
PARTS REQUIRED:



7 Attach (9) tie plates with 1-1/2" nails as shown.

! • Attach far left tie plate reversed position from others (Fig. A).

! • HINT: Look for the "Simpson" name on the tie plate.

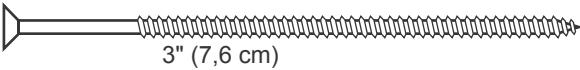



8 You have finished installing your rafters.


SIDE WALL PANELS


PARTS REQUIRED:


x1 **OO** TEMPORARY SUPPORT
1-1/2 x 2-1/2 x 69" (3,8 x 6,3 x 175,3 cm)

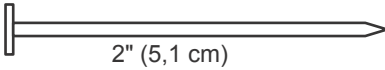
x2  3" (7,6 cm)

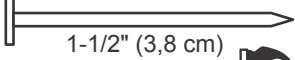
x1 
3/8 x 42 x 96"
(1 x 106,7 x 243,8 cm)

x1 
3/8 x 42 x 96"
(1 x 106,7 x 243,8 cm)

x1 
3/8 x 48 x 84"
(1 x 121,9 x 213,4 cm)

x1 
3/8 x 48 x 84"
(1 x 121,9 x 213,4 cm)

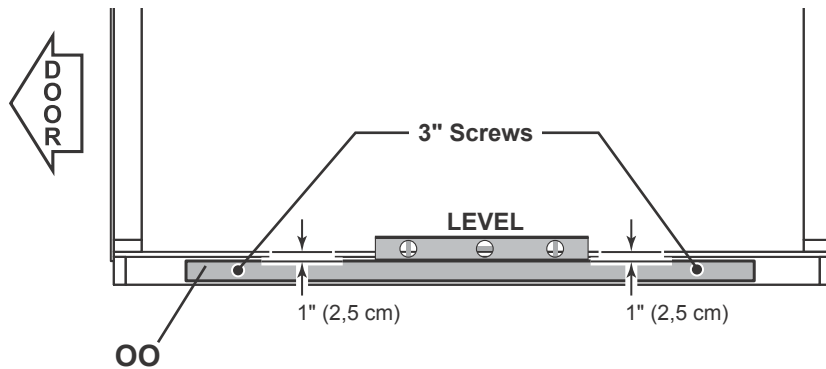
x3  2" (5,1 cm)

x12  1-1/2" (3,8 cm)



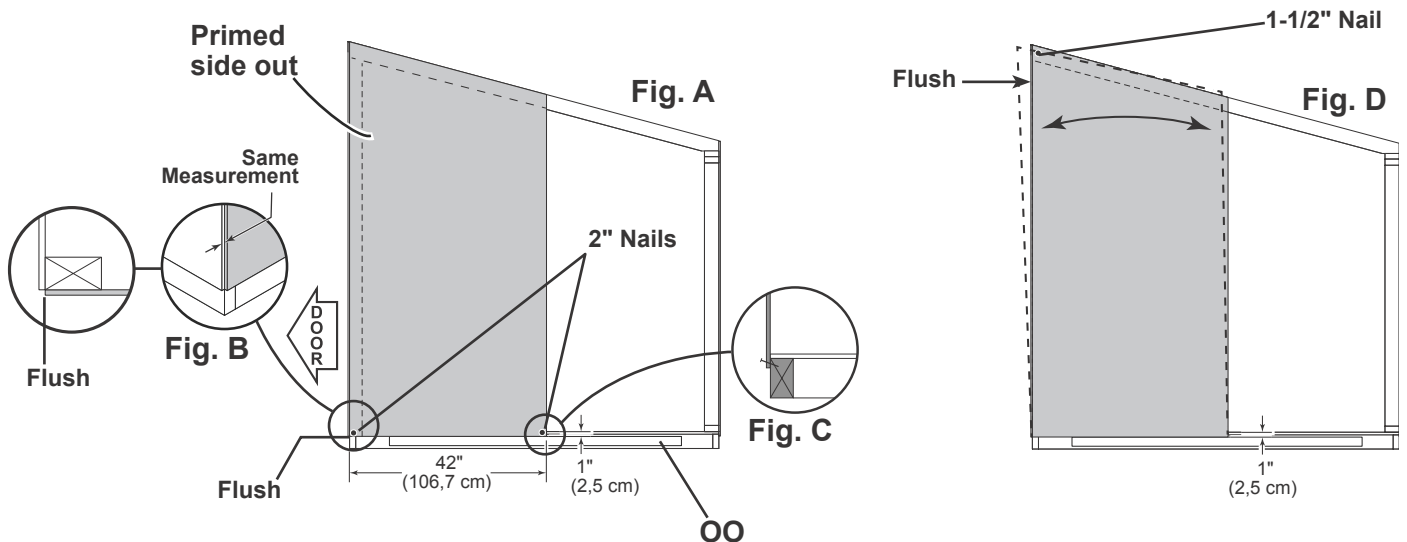
✓ BEGIN

- 1 Attach **OO** as a support-ledge to help install side wall panels. Measure down from floor 1" and mark. Ensure **OO** is level and centered. Secure to floor joist with two 3" screws.



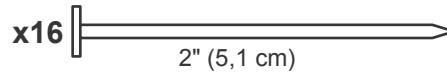
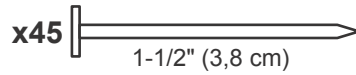
- 2 Place 42 x 96" panel primed side out onto **OO** ledge board flush with front wall stud. Ensure 1" overhang at bottom of panel. Secure panel with two 2" nails in the corners (**Fig. A**). Ensure the measurement between the panel edges are the same along the entire length (**Fig. B**). Angle nails to hit floor frame (**Fig. C**).

- 3 Move to the top of panel. Using the long edge of the panel as a lever move the panel side-to-side until top of panel is flush with front wall stud. Secure upper corner with (1) 1-1/2" nail into rafter (**Fig. D**). Ensure 1" panel overhang at bottom of panel (**Fig. D**).

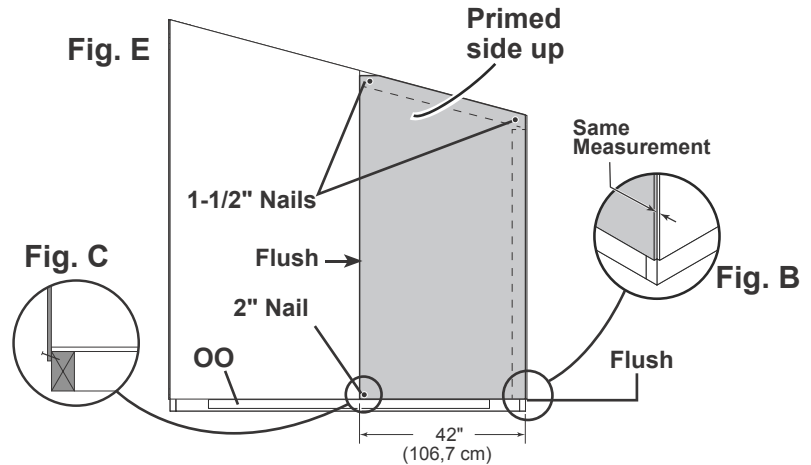


SIDE WALL PANELS (continued)

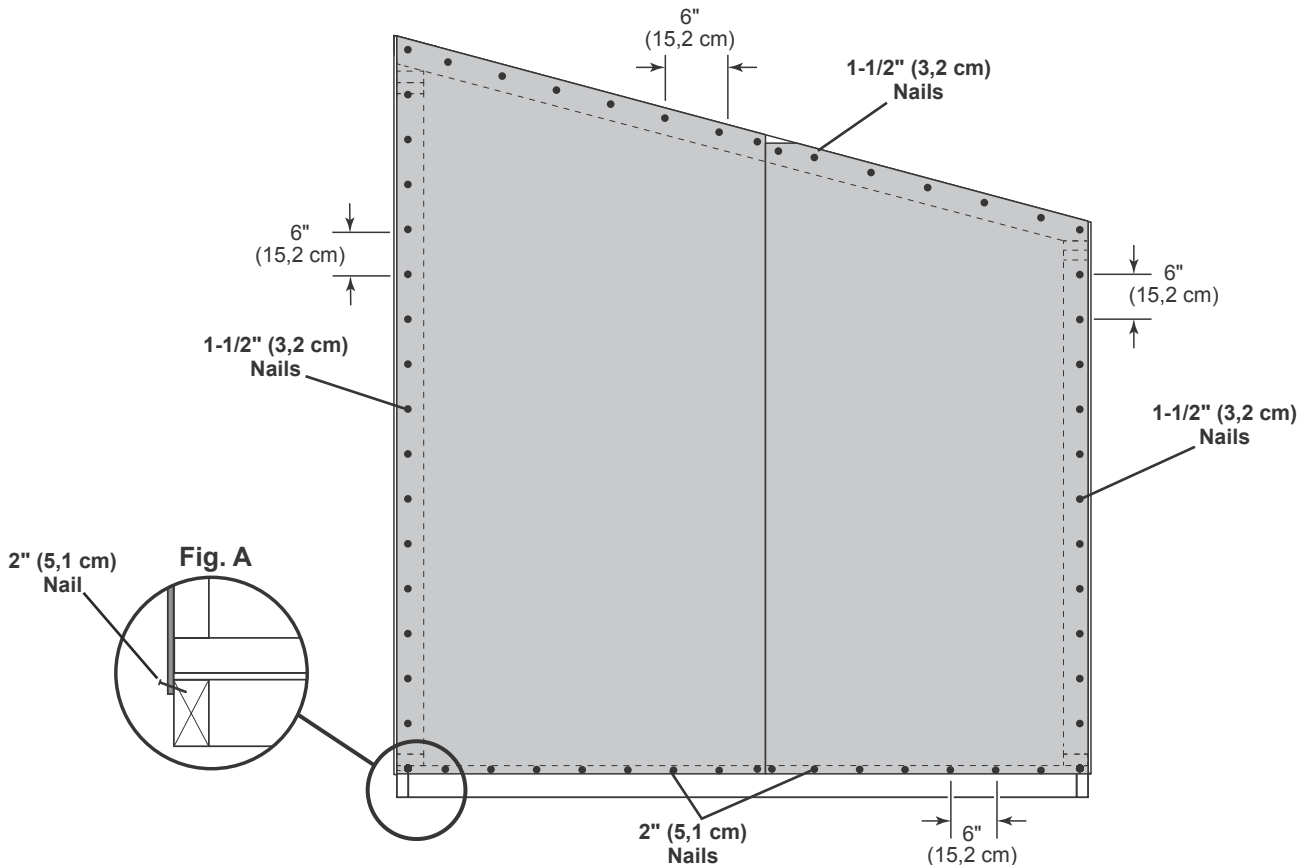
PARTS REQUIRED:



- 4** Place **48 x 84"** panel onto side wall flush with bottom of **42 x 96"** panel with primed side up, as shown. Secure panel with 2" nails in three corners (**Fig. E**). Ensure the measurement between the panel edges are the same along the entire length (**Fig. B**). Angle nails to hit floor frame (**Fig. C**).



- 5** Remove temporary ledger **OO**.
- 6** Nail lower edge of panel to floor using 2" nails 6" apart. Angle nail to hit floor frame (**Fig. A**).
- 7** Nail side wall panels to rafter and wall studs using 1-1/2" nails 6" apart as shown.



- 8** Repeat **Steps 1-7** to attach the opposite side panels.



- 9** You have finished installing your side panels. Proceed to install **SIDE WALL STUDS**.

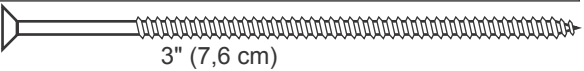
SIDE WALL STUDS

PARTS REQUIRED:

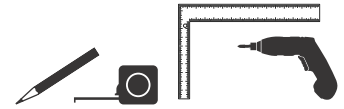
x2 **JCA**
2 x 4 x 72-5/8" (5,1 x 10,2 x 184,5 cm)

x2 **JDA**
2 x 4 x 80-11/16" (5,1 x 10,2 x 204,9 cm)

x2 **JEA**
2 x 4 x 86-1/8" (5,1 x 10,2 x 218,8 cm)

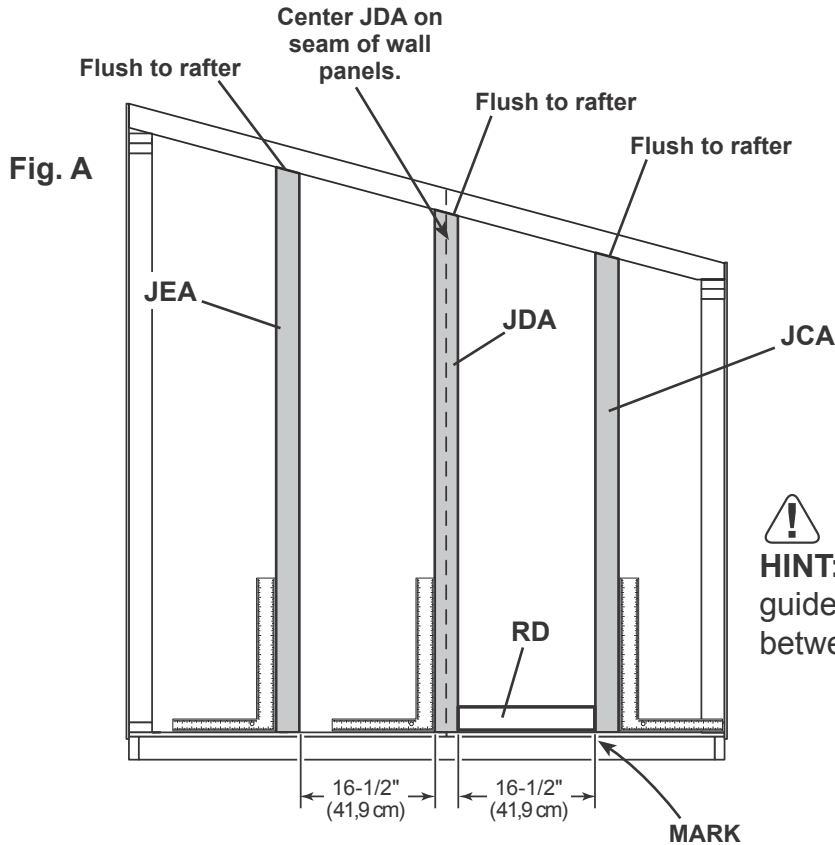
x18  3" (7,6 cm)


x1 **RD** TEMPORARY GUIDE
2 x 4 x 16-1/2" (5,1 x 10,2 x 41,9 cm)



✓ BEGIN

- 1 Install **JDA** centered at seam of side wall panels (**Fig A**). Use a square to ensure 90 degree squareness of studs (**JDA, JCA and JEA**).



 **HINT:** Use **RD** as a guide to hold 16-1/2" between studs.

- 2 Mark locations of studs and ensure 90 degrees angle at top of each stud.

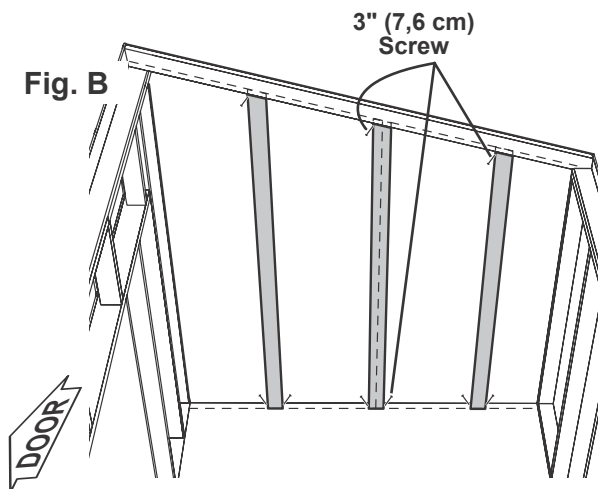
- 2 Secure side wall studs with 3" screws into end rafters and floor frame (**Fig B**).

- 3 Repeat **Steps 1-2** to attach the opposite side **SIDE WALL STUDS**.

FINISH

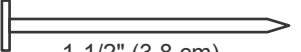
- 4 You have finished installing your **SIDE WALL STUDS**.

Proceed to finish nailing side wall panels.



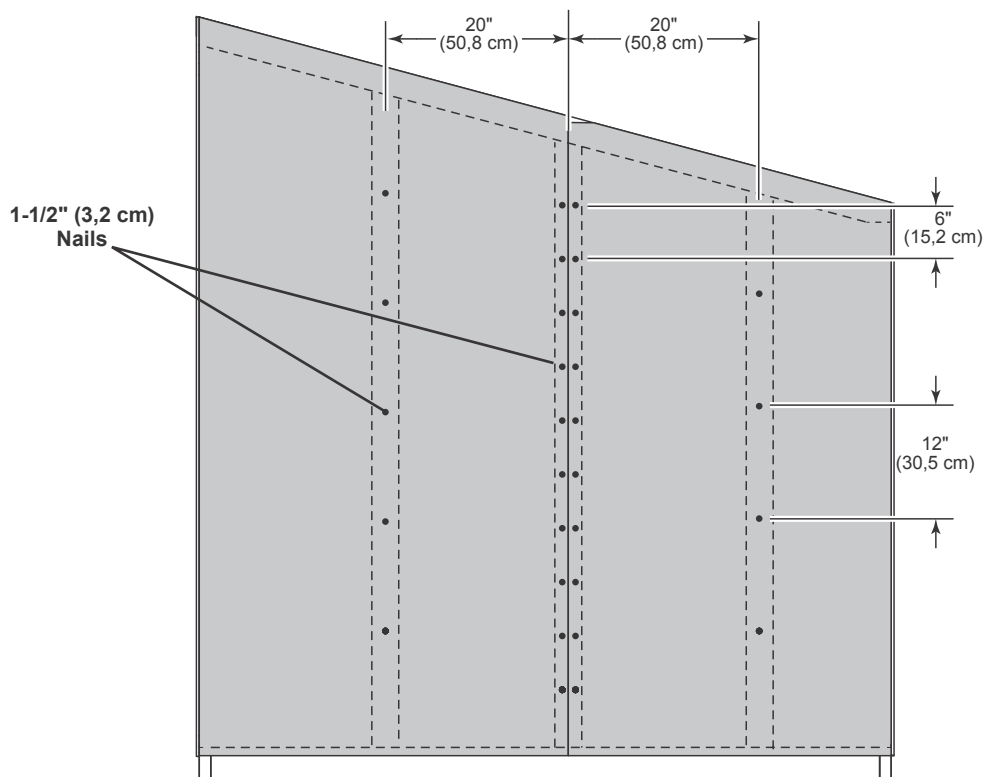
SIDE WALL PANELS

PARTS REQUIRED:

x58  1-1/2" (3,8 cm)



- 9 Measure, align and mark side wall studs 24" from center of panel seam as shown.
- 9 Nail side wall panels to inside wall studs using 1-1/2" nails 6" apart along panel seam and 12" apart in middle of panels as shown.



- 10 Repeat **Step 9** to nail the opposite side panels.



- 11 You have finished nailing your SIDE WALL PANELS.




CHOOSE YOUR SIDE WALL WINDOWS LOCATION AT THIS TIME.

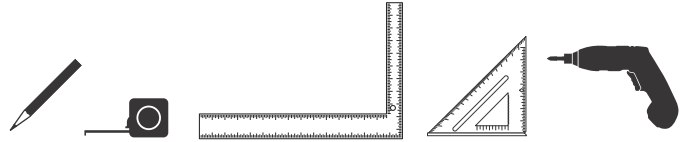


SIDE WALL WINDOW FRAMING

PARTS REQUIRED:

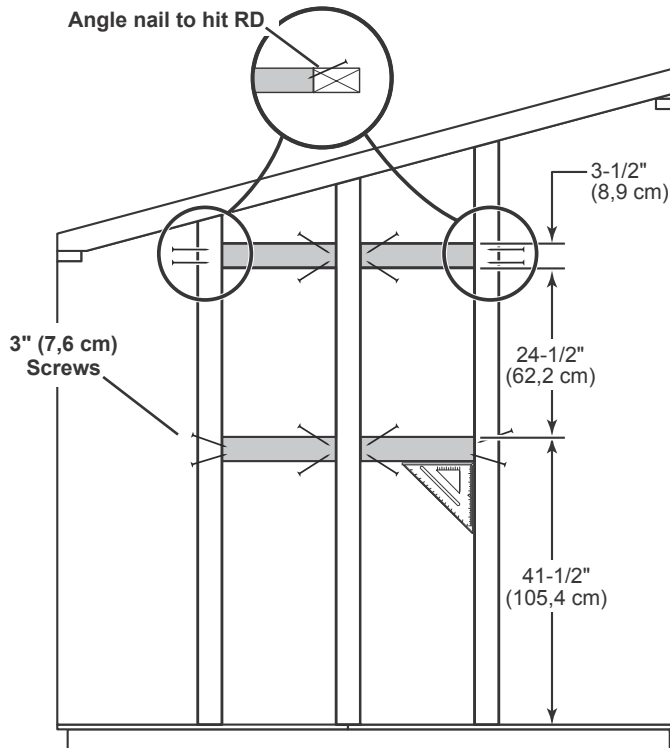
x4 **RD**
2 x 4 x 16-1/2" (5,1 x 10,2 x 41,9 cm)

x16  3" (7,6 cm)



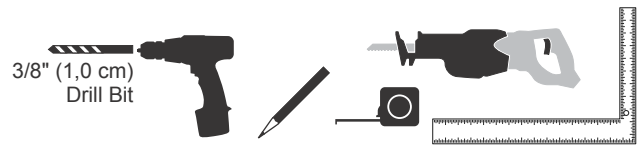
✓ BEGIN

- 1 Choose the side wall you want to install your windows on.
- 2 From inside, measure and mark locations of (4) **RD**. Secure with 3" screws.

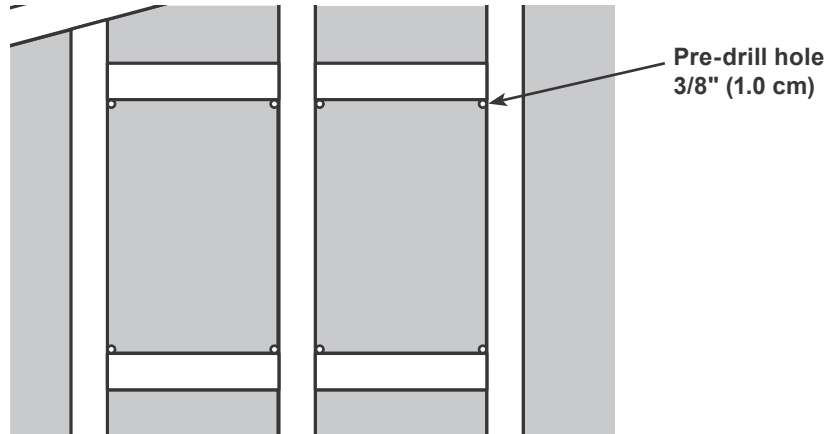


SIDE WALL WINDOW CUTOUT

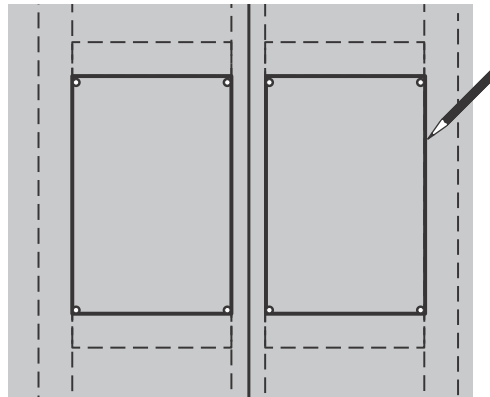
PARTS REQUIRED:



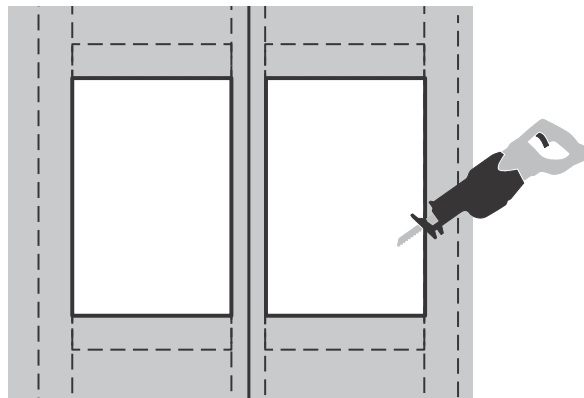
- 3 Using a 3/8" drill bit, drill a hole through both wall panels in each corner of window framing.



- 3 From outside, mark straight lines connecting the holes.



- 4 Cut along lines using a saw. Carefully trim panel openings after cutting as necessary.





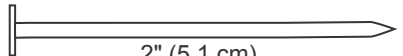
FINISH

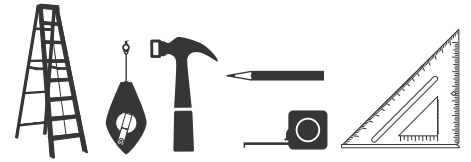
- 5 You have finished preparing your SIDE WALL for window installation.


ROOF PANELS

PARTS REQUIRED:

- x1  7/16 x 11-7/8 x 60-1/4"
(1,1 x 30,2 x 152,7 cm)
- x1  7/16 x 11-7/8 x 96"
(1,1 x 30,2 x 244 cm)

x4  2" (5,1 cm)



 Roof panels may cause serious injury until securely fastened.

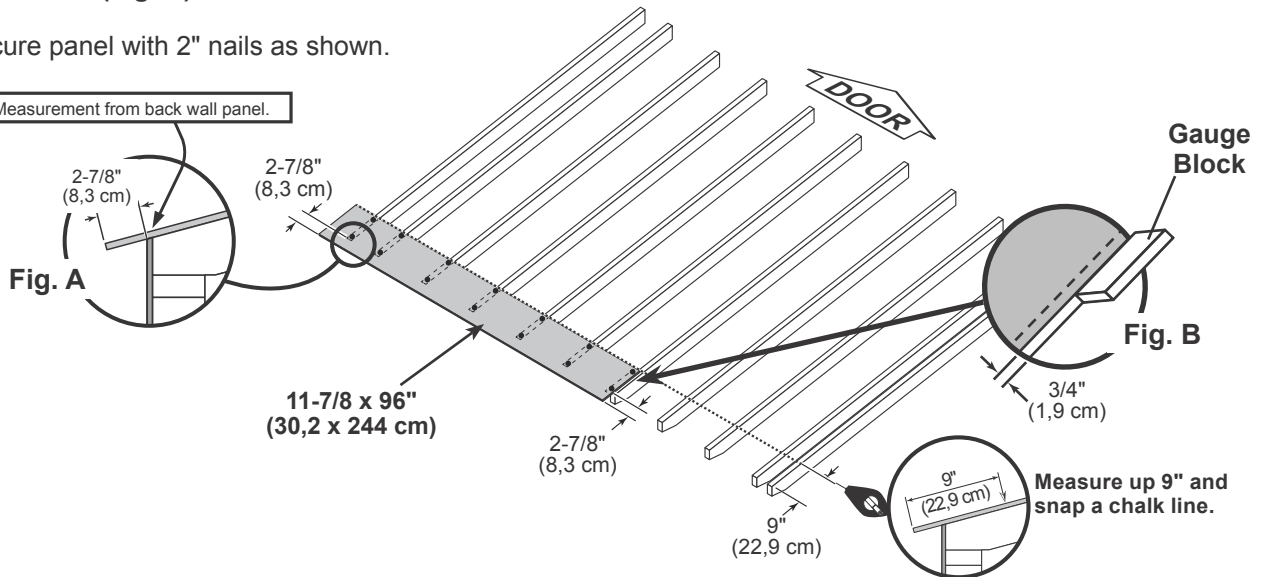


✓ BEGIN

- 1 Place the 11-7/8 x 96" lower roof panel with the rough side up (painted-grid lines side) with 2-7/8" overhang from back wall panel (**Fig A**). Ensure the panel measures 3/4" (1,9 cm) along the length of the rafter (**Fig B**).

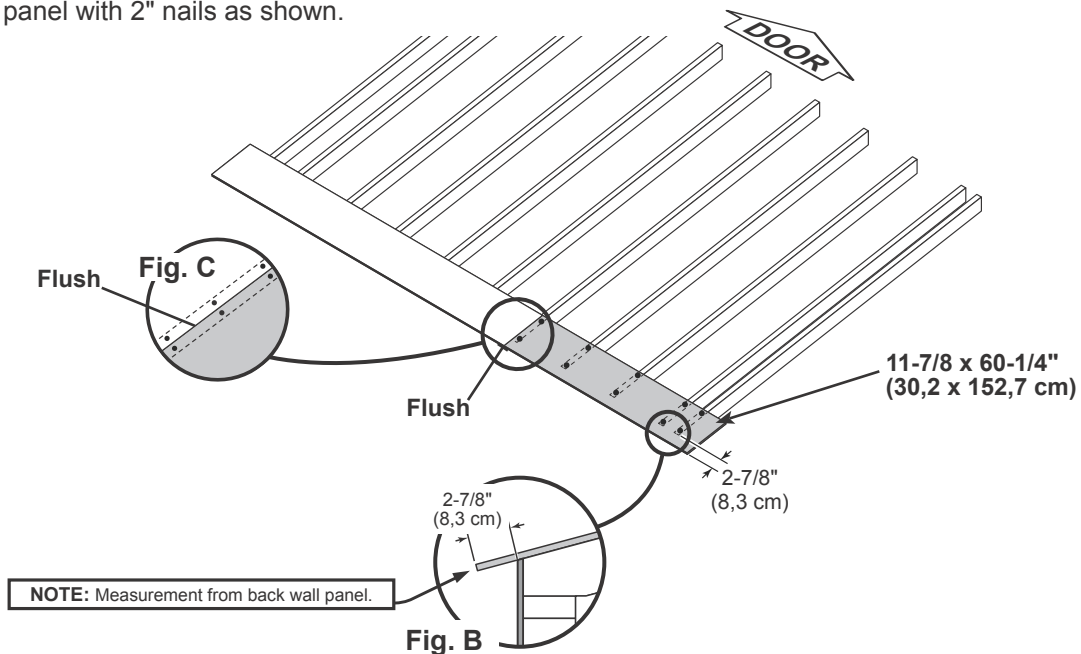
Secure panel with 2" nails as shown.

NOTE: Measurement from back wall panel.



- 2 Place the 11-7/8 x 60-1/4" lower roof panel with the rough side up flush to installed 11-7/8 x 96" panel. Ensure the 11-7/8 x 60-1/4" roof panel measures 2-7/8" (8,3 cm) overhanging back wall panel (**Fig B**) and is also flush with installed panel (**Fig C**).

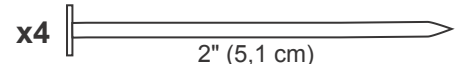
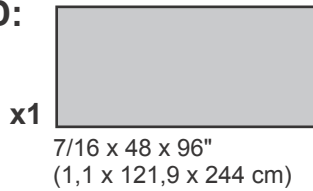
Secure panel with 2" nails as shown.



NOTE: Measurement from back wall panel.

ROOF PANELS

PARTS REQUIRED:

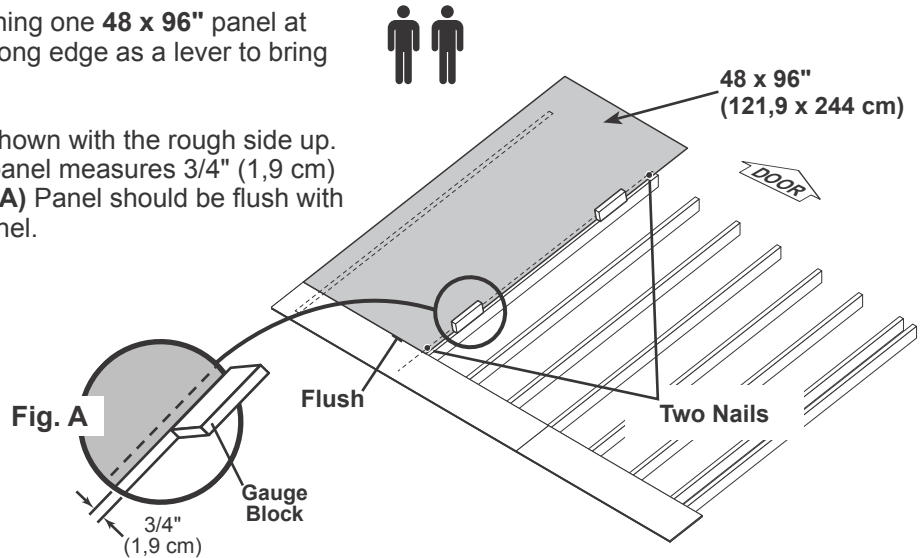


 **Roof panels may cause serious injury until securely fastened.**

3 You must square the roof by attaching one **48 x 96"** panel at this time. You will use the panel's long edge as a lever to bring your roof into square.


Place the **48 x 96"** roof panel as shown with the rough side up. Use a gauge block to ensure the panel measures 3/4" (1,9 cm) along the length of the rafter (**Fig. A**) Panel should be flush with top edge of lower installed roof panel.

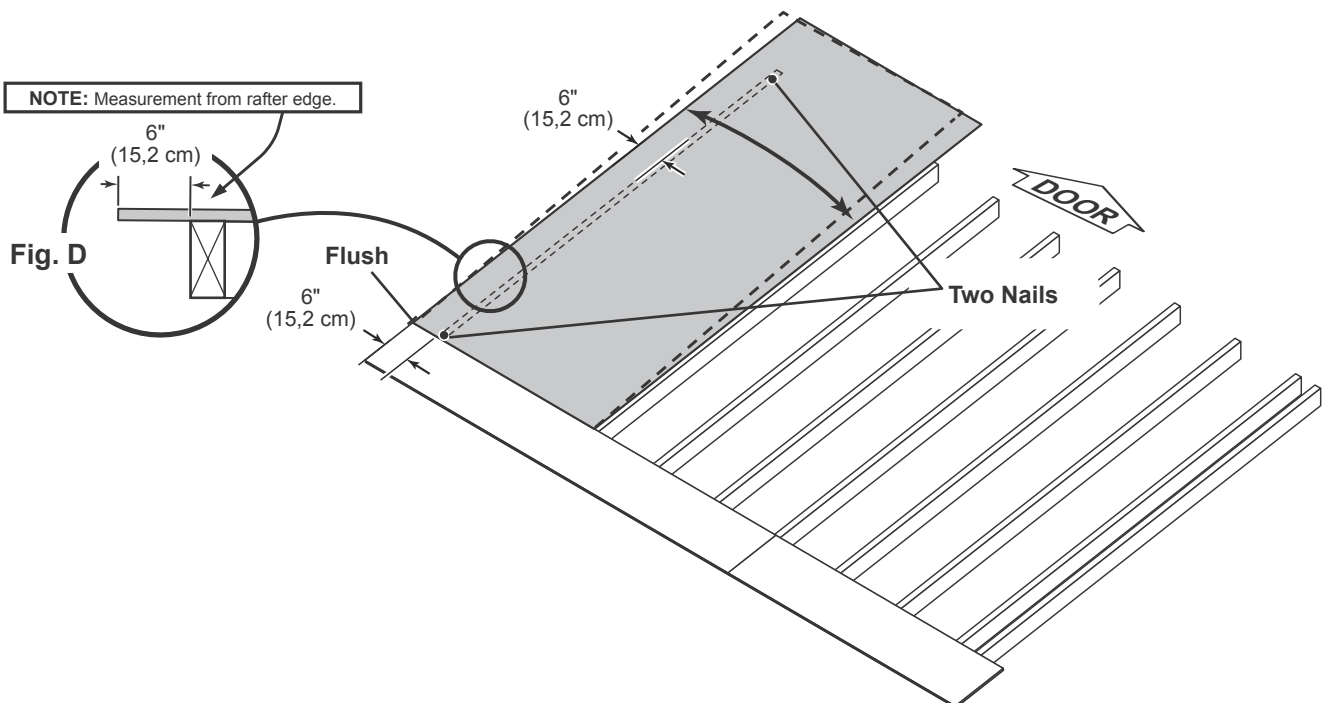
Secure with two nails.



4 Move to the outside edge. Using the long edge of the panel as a lever move the panel side-to-side until the outside long edge is at 6" (15,2 cm) measurement overhanging the outer rafter (**Fig D**).


Secure with two nails.


 **You may need to move your entire roof frame to make panel line up with 6" overhang measurement (Fig. D).**

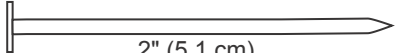


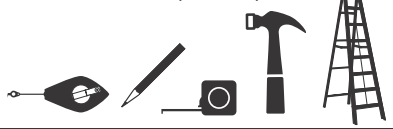
ROOF PANELS

PARTS REQUIRED:

x1 
 7/16 x 11-7/8 x 96"
 (1,1 x 30,2 x 244 cm)

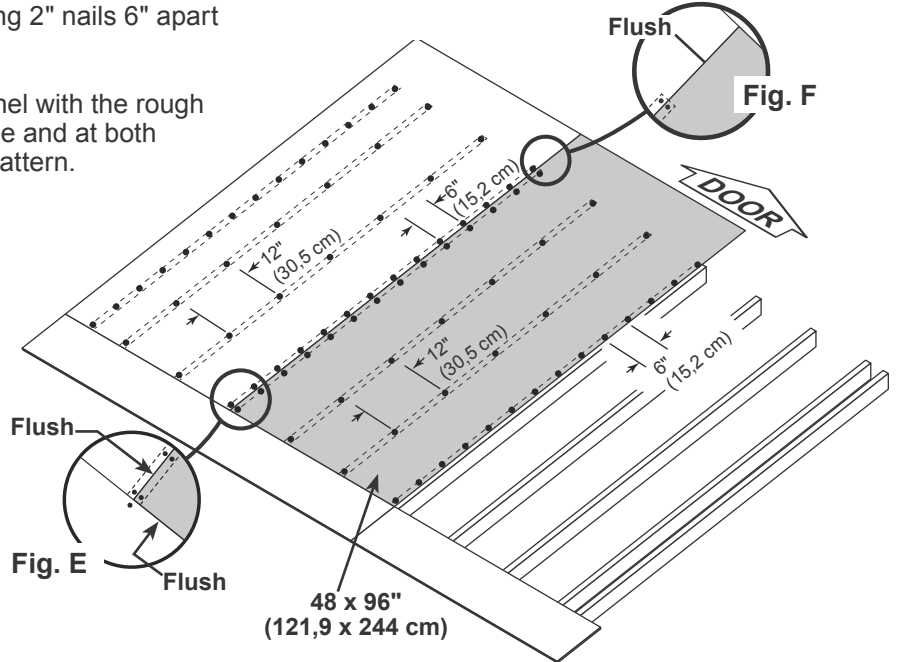
x2 
 7/16 x 48 x 96"
 (1,1 x 121,9 x 244 cm)

x167 
 2" (5,1 cm)



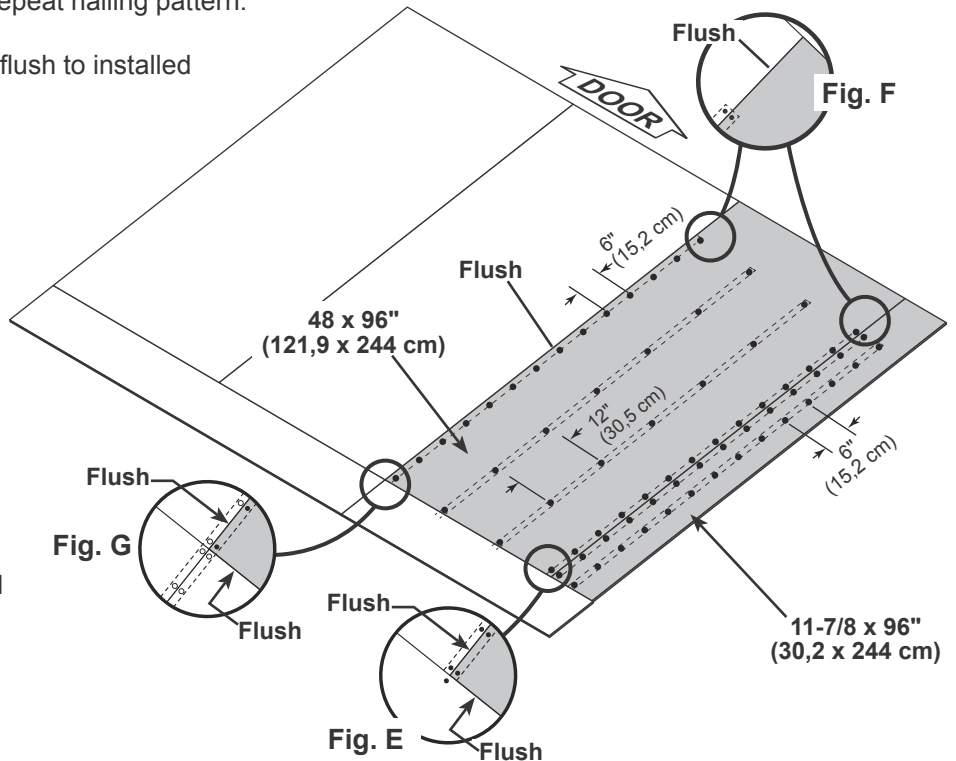
- 5** Nail the first **48 x 96"** roof panel using 2" nails 6" apart on edge and 12" apart inside panel.

Locate the second **48 x 96"** roof panel with the rough side up flush to first panel along edge and at both corners (**Fig. E, F**). Repeat nailing pattern.



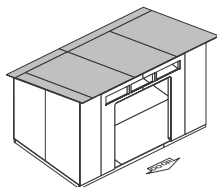
- 6** Nail the third **48 x 96"** roof panel with the rough side up flush to second **48 x 96"** panel. Repeat nailing pattern.

Ensure the **48 x 96"** roof panel is flush to installed roof panels (**Fig. F, G**).



- 7** Nail the **11-7/8 x 96"** roof panel with the rough side up flush to third **48 x 96"** panel using 2" nails 6" apart.

Ensure the **11-7/8 x 96"** roof panel is flush to installed roof panels (**Fig. E, F**).

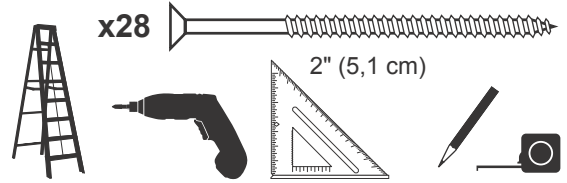


- 8** You have finished installing your ROOF PANELS.

RAFTER EXTENSIONS

PARTS REQUIRED:

x11 **BRA**
2 x 3 x 10-1/2" (5,1 x 7,6 x 26,7 cm)



✓ BEGIN

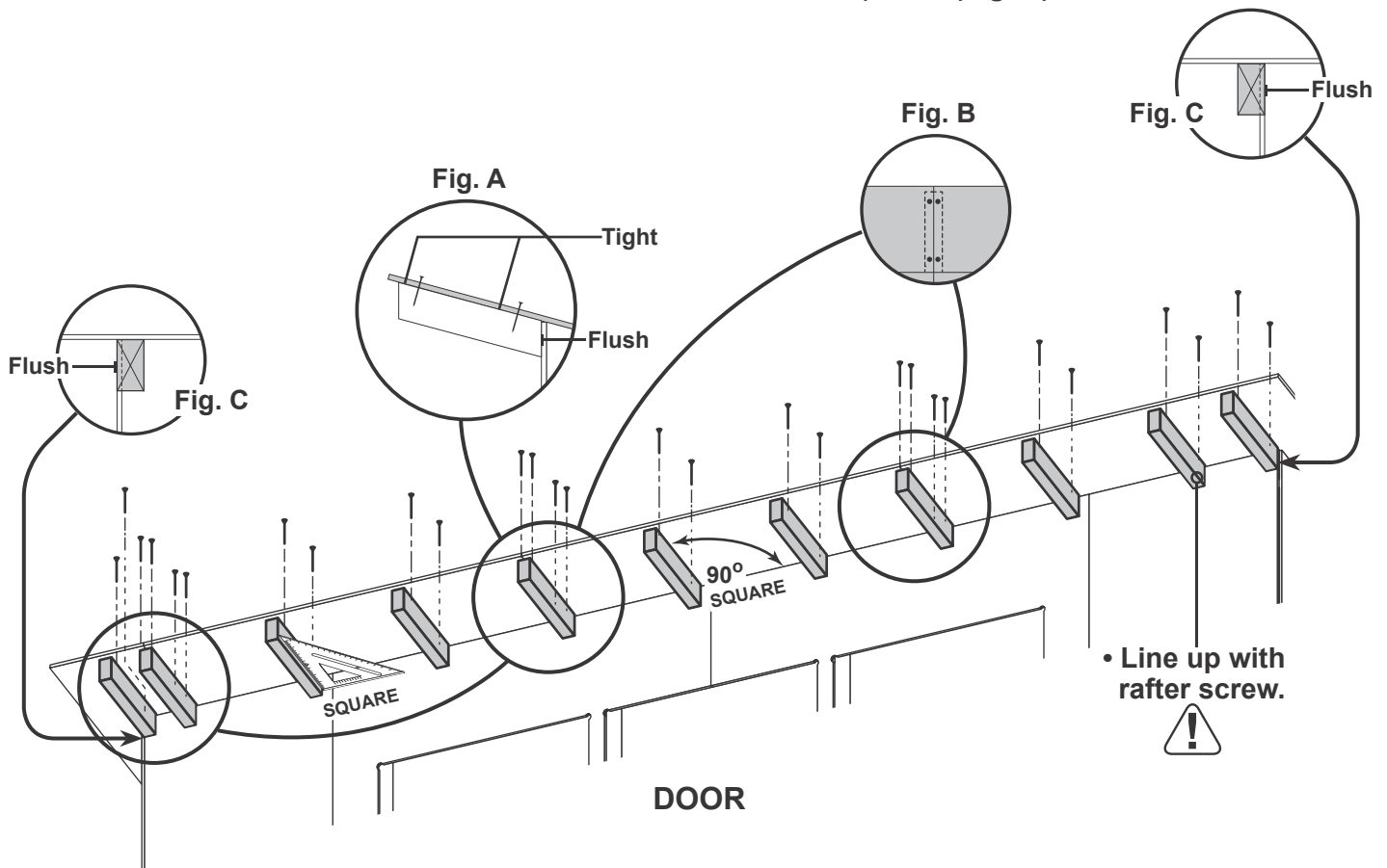
1 Line up each rafter extension **BRA** 90 degrees square with rafters as shown. Secure rafter extensions with screws through roof panels (**Fig. A**).

- Use screws at rafter ends as a guide to line up **BRA** with rafter ends.

! • At roof panel seams use 4 screws (**Fig. B**).

! • **DO NOT OVER-DRIVE SCREWS THROUGH ROOF PANELS.**

! • Ensure **BRA** extensions at each side are flush with side wall panels (**Fig. C**).




2 You have finished installing your RAFTER EXTENSIONS.

SIDE RAKE FRAMING

PARTS REQUIRED:

x2 **BPA**
1 x 3 x 33 - 1/8" (2,5 x 7,6 x 84,1 cm)

x2 **HJ**
1 x 3 x 72" (2,5 x 7,6 x 182,8 cm)

x16  2" (5,1 cm)

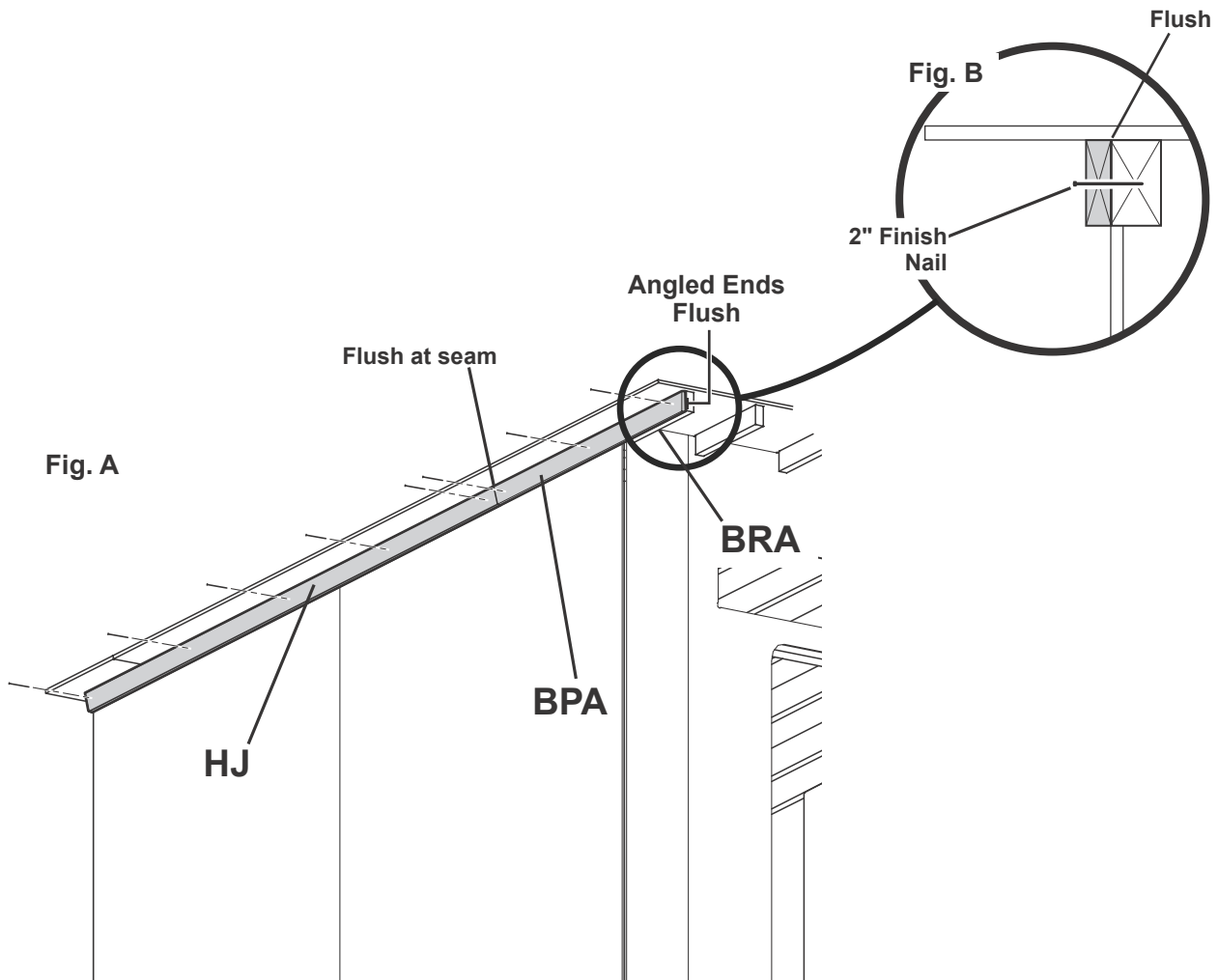


✓ **BEGIN**

1 Align **BPA** edge flush with rafter extension **BRA** (Fig A). Attach with (3) 2" nails (Fig B).

2 Attach **HJ** flush with **BPA** with (5) 2" nails. (Fig A, Fig. B)

3 Repeat **Steps 1-2** on opposite side.

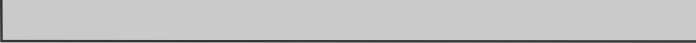


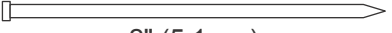
 **FINISH**

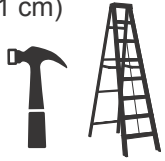
4 You have finished installing your gable rake framing.

SIDE SOFFIT

PARTS REQUIRED:

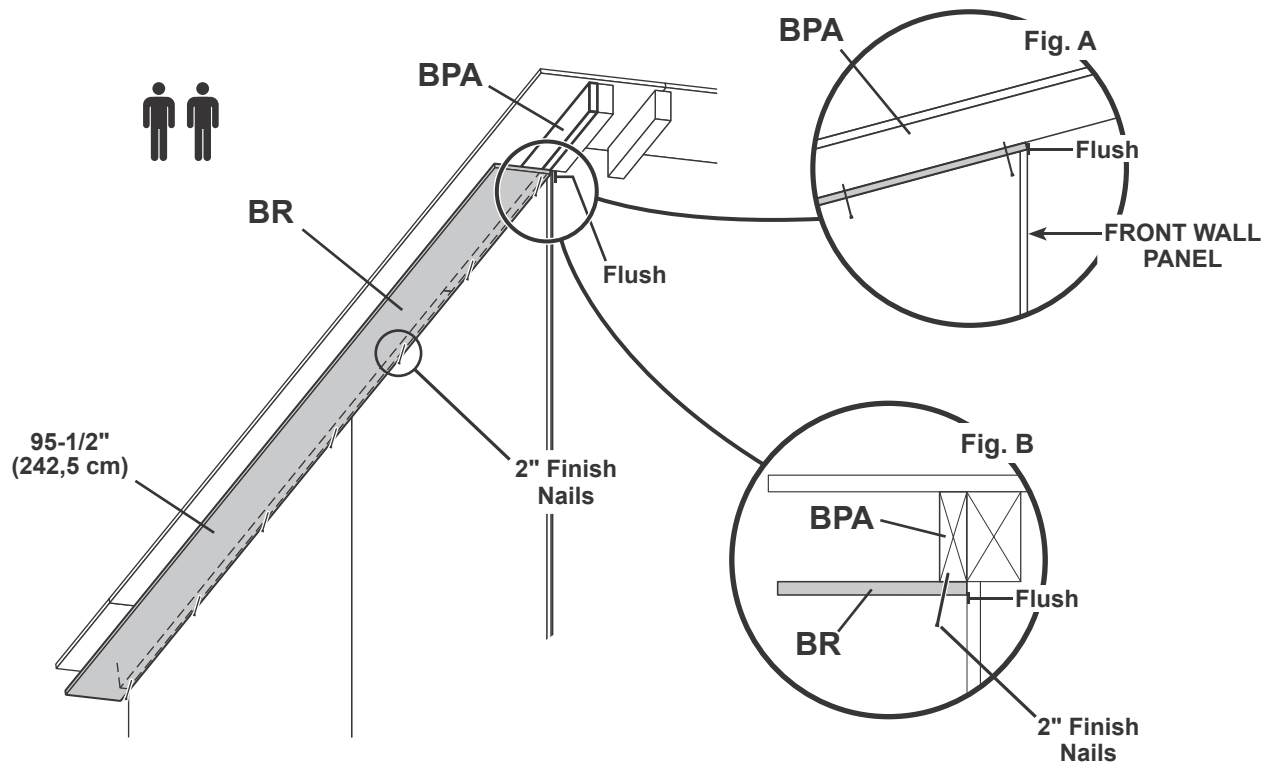
x2 
3/8 x 5-1/4 x 95-1/2" (1 x 13,3 x 242,5 cm)

x20 
2" (5,1 cm)



✓ **BEGIN**

- 1 Attach **95-1/2"** soffit **BR** primed side down flush to front wall panel (**Fig. A**). Secure to side rake frame **BPA** using (7) 2" finish nails (**Fig. A, B**).



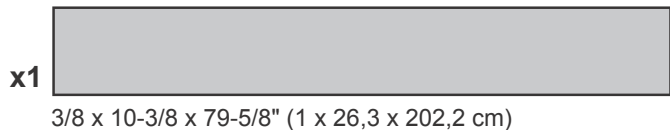
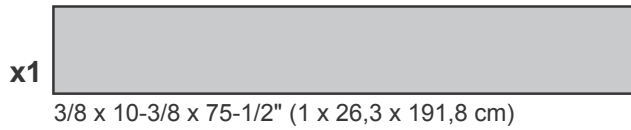
- 2 Repeat **Step 1** on opposite side.

FINISH

- 3 You have finished installing your side soffit panels.

FRONT SOFFIT

PARTS REQUIRED:



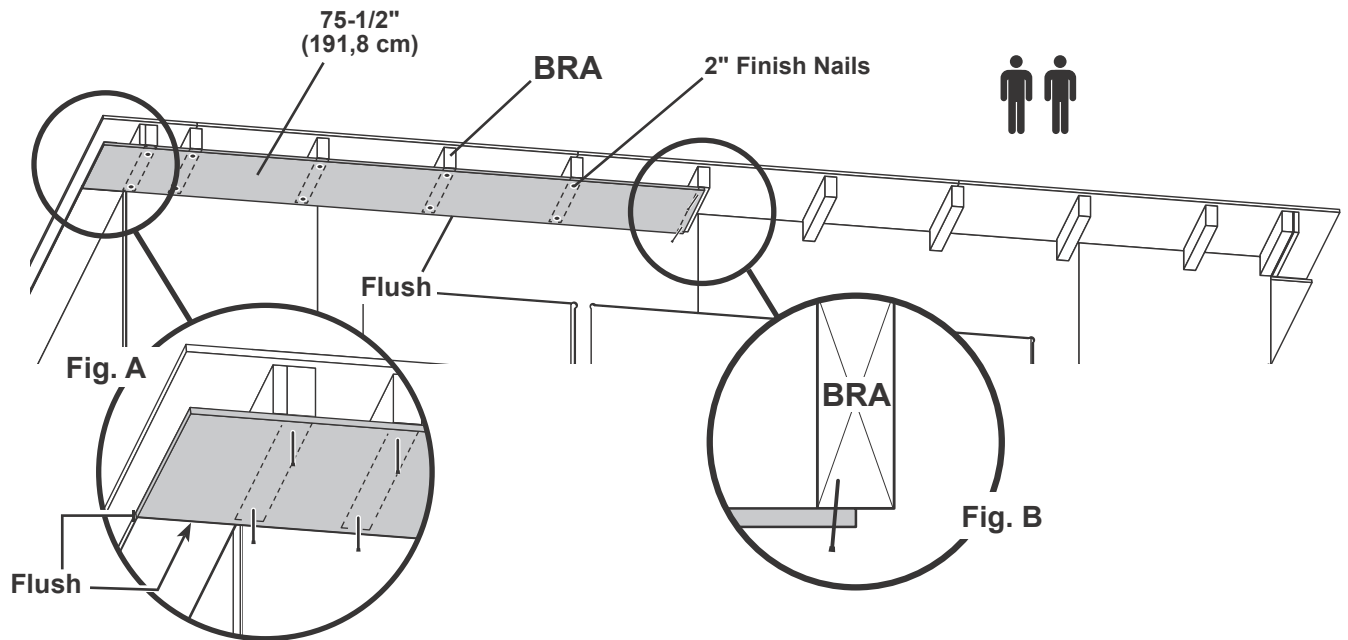
x24

2" (5,1 cm)

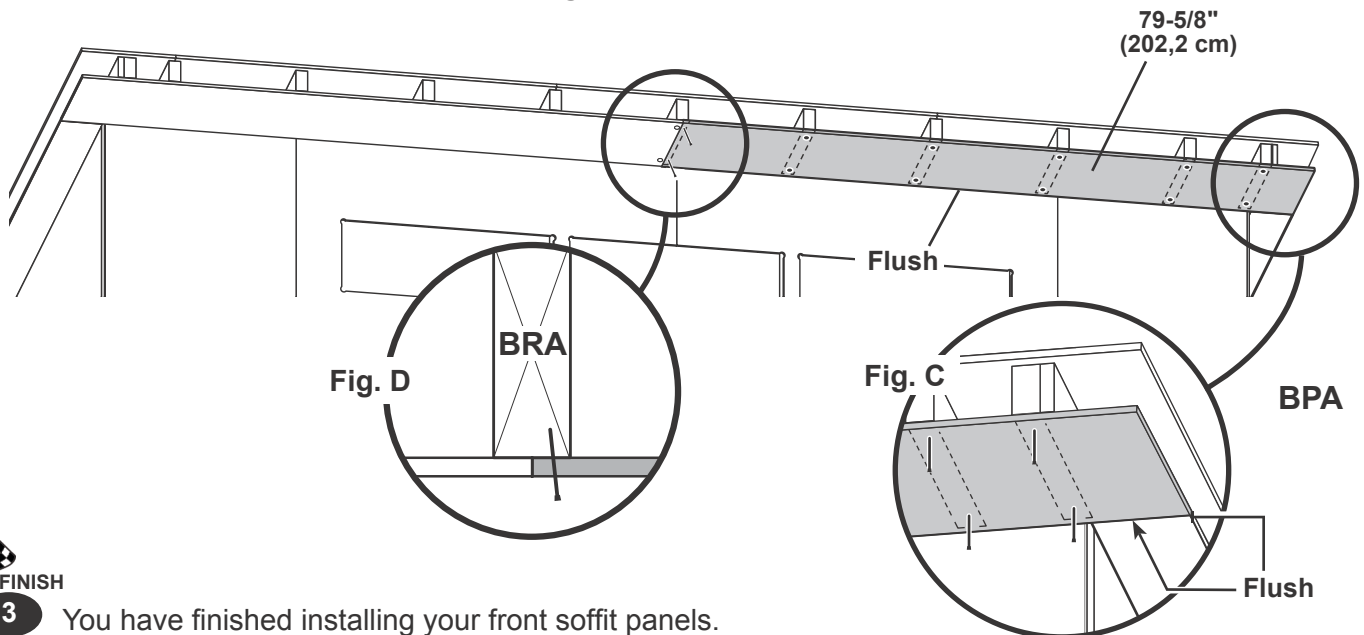


✓ **BEGIN**

- 1 Attach **75-1/2"** soffit primed side down under rafter extensions **BRA** flush to side wall soffit (**Fig. A**). Ensure soffit is flush to front wall panel. Secure to **BRA** using (12) 2" finish nails as shown. Toenail at right side of soffit into **BRA** (**Fig. B**).



- 2 Attach **79-5/8"** soffit primed side down under rafter extensions **BRA** flush to side wall soffit (**Fig. C**). Ensure soffit is flush to front wall panel. Secure to **BRA** using (12) 2" finish nails as shown. Toenail at left side of soffit into **BRA** (**Fig. D**).



✓ **FINISH**

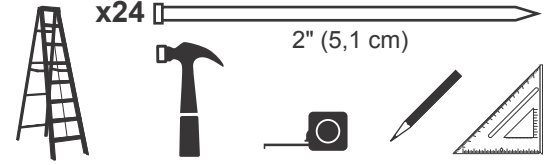
- 3 You have finished installing your front soffit panels.

FRONT FASCIA TRIM

PARTS REQUIRED:

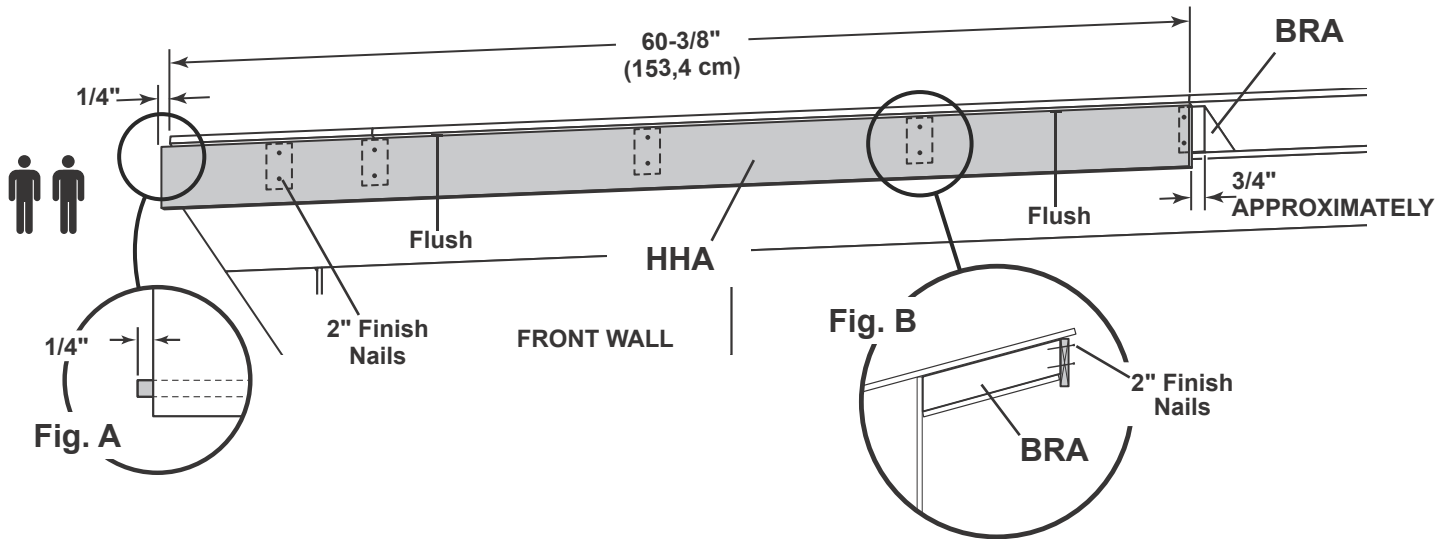
x1 **HHA**
19/32 x 3-1/2 x 60-3/8" (1,5 x 8,8 x 153,4 cm)

x1 **ZX**
19/32 x 3-1/2 x 96" (1,5 x 8,8 x 243,8 cm)

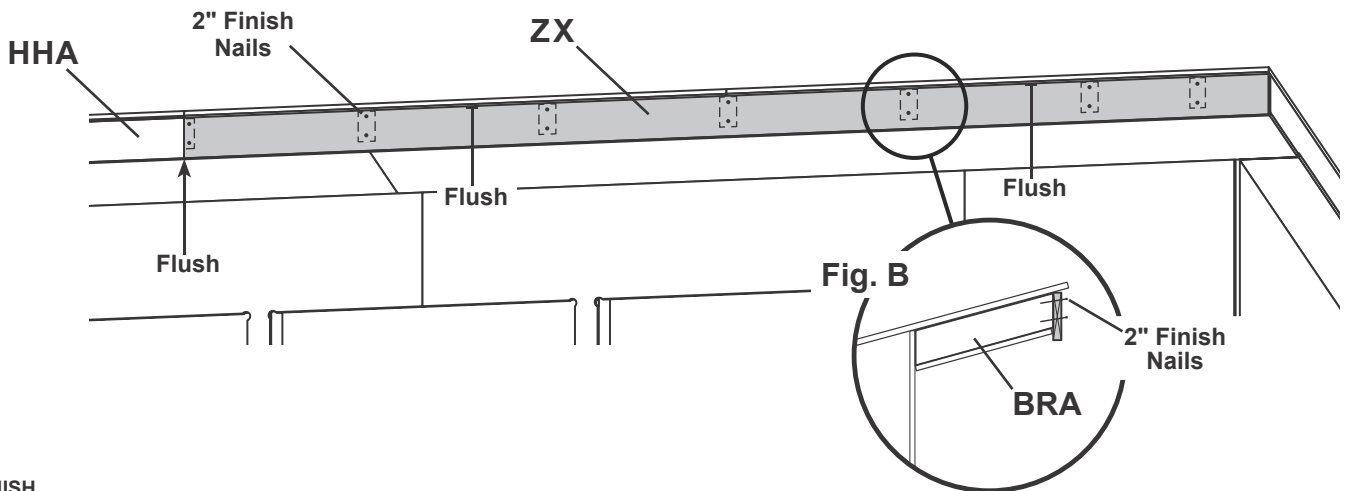


BEGIN

- 1 Measure 1/4" past left roof panel and line up **HHA** primed side out and flush up under roof panels (**Fig. A**). Right side of **HHA** is approximately 3/4" from center of rafter extension **BRA**. Secure **HHA** with 2" finish nails into **BRA** (**Fig. B**).



- 2 Position **ZX** primed side out, flush with **HHA** and flush up under roof panels. Secure **ZX** with 2" finish nails into **BRA** (**Fig. B**).



- 3 You have finished installing your front fascia

SIDE FASCIA TRIM ASSEMBLY

PARTS REQUIRED:


x1 **BXR**
19/32 x 3 - 1/2 x 59 - 1/4" (1,5 x 8,8 x 150,4 cm)

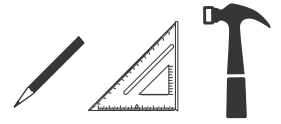
x1 **BXL**
19/32 x 3 - 1/2 x 59 - 1/4" (1,5 x 8,8 x 150,4 cm)

x2 **OY**
2 x 3 x 72" (5,1 x 7,6 x 182,8 cm)

x2 **BQA**
2 x 3 x 33-1/8" (5,1 x 7,6 x 84,1 cm)

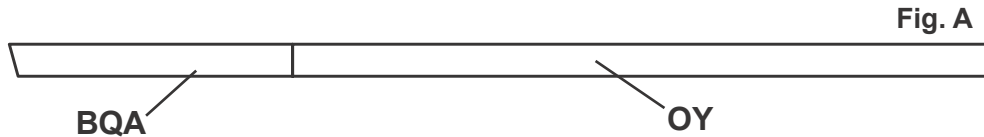
x2 **ZT**
19/32 x 3-1/2 x 48" (1,5 x 8,8 x 121,9 cm)

x28  2" (5,1 cm)

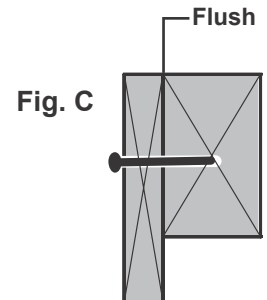
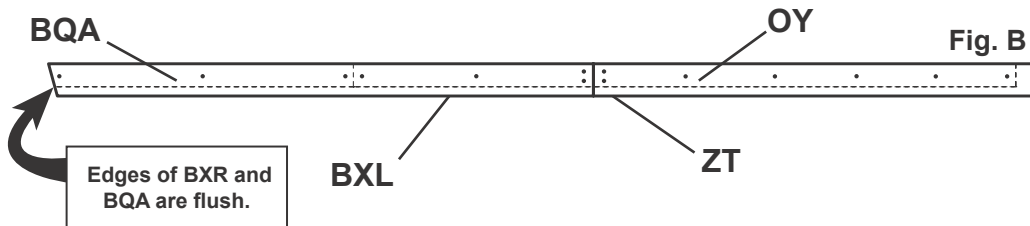


✓ BEGIN

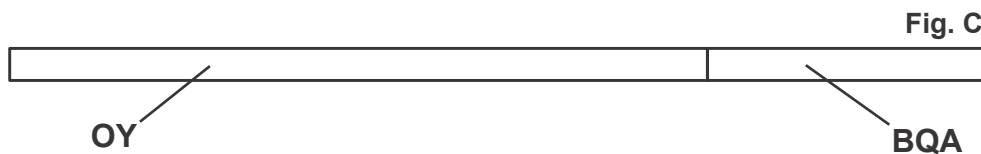
- 1 To build left side fascia assembly place **BQA** and **OY** end to end on a flat surface (**Fig. A**).



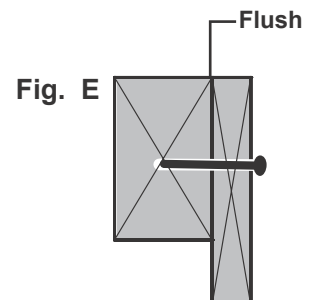
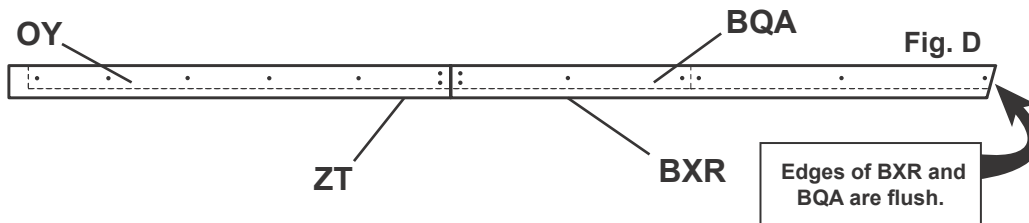
- 2 Place **BXR** and **ZT** *primed side up* and flush with **BQA** and **OY**. Attach with 2" finished nails as shown (**Fig. B, C**).



- 3 To build right side fascia assembly place **BQA** and **OY** end to end on a flat surface (**Fig. C**).



- 4 Place **BXR** and **ZT** *primed side up* and flush with **BQA** and **OY**. Attach with 2" finished nails as shown (**Fig. D, E**).

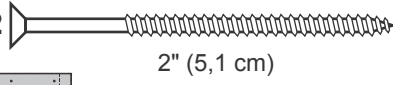




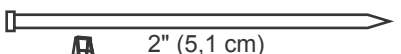
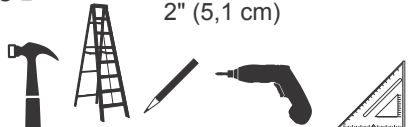
FINISH

- 5 You have finished assembling the side fascia trim.


SIDE FASCIA TRIM

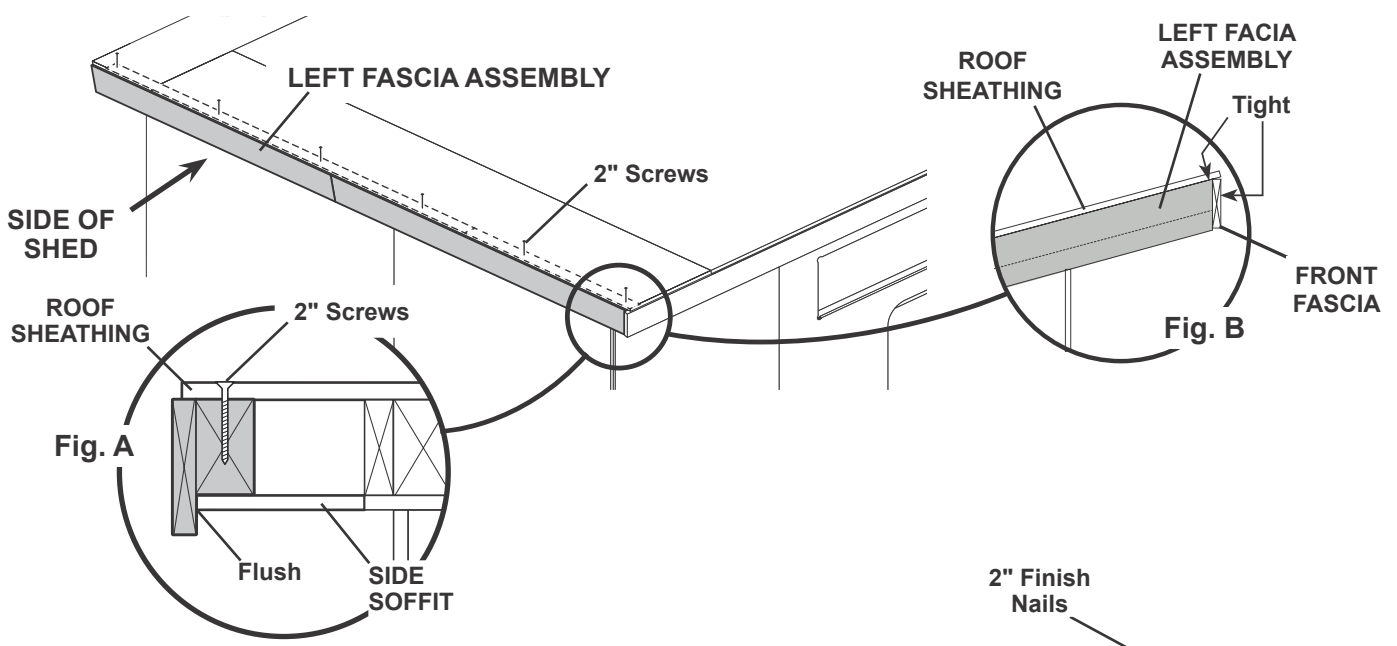
PARTS REQUIRED:

- x12  2" (5,1 cm)
- x1 
- x1 

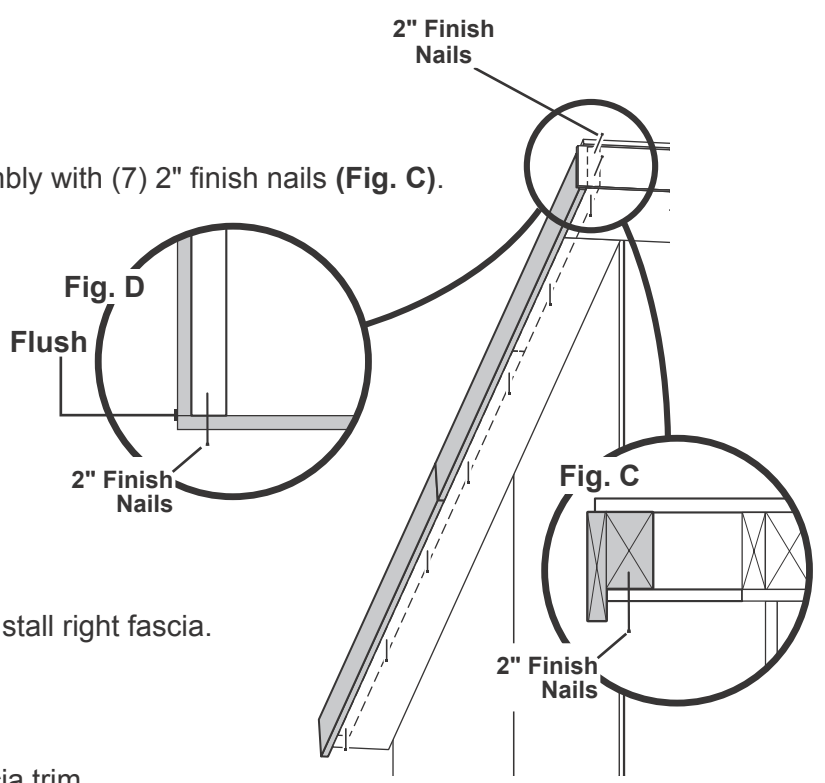
- x18  2" (5,1 cm)
- 

✓ BEGIN

- 1 Place left side fascia assembly between roof sheathing and side soffit (**Fig. A**). 
- 2 Hold left side fascia assembly tight to front fascia trim (**Fig. B**).
- 3 Secure fascia assembly under roof panels flush with front fascia board using (7) 2" screws through roof sheathing (**Fig. A**).



- 4 Nail through side soffit into fascia assembly with (7) 2" finish nails (**Fig. C**).
- 5 Nail front fascia to side fascia with (2) 2" finished nails (**Fig. D**).



- 6 Repeat **Steps 1-5** on opposite side to install right fascia.

FINISH

- 7 You are finished installing your side fascia trim.

REAR FASCIA TRIM


PARTS REQUIRED:

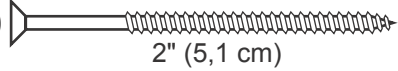
x1 **HBA**
19/32 x 3-1/2 x 59-1/2" (1,5 x 8,8 x 151,1 cm)

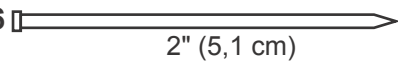
x1 **ZX**
19/32 x 3-1/2 x 96" (1,5 x 8,8 x 243,8 cm)

x1 **GKA**
2 x 3 x 59-1/2" (5,1 x 7,6 x 151,1 cm)

x1 **PT**
2 x 3 x 96" (5,1 x 7,6 x 243,8 cm)

x2  3" (7,6 cm)

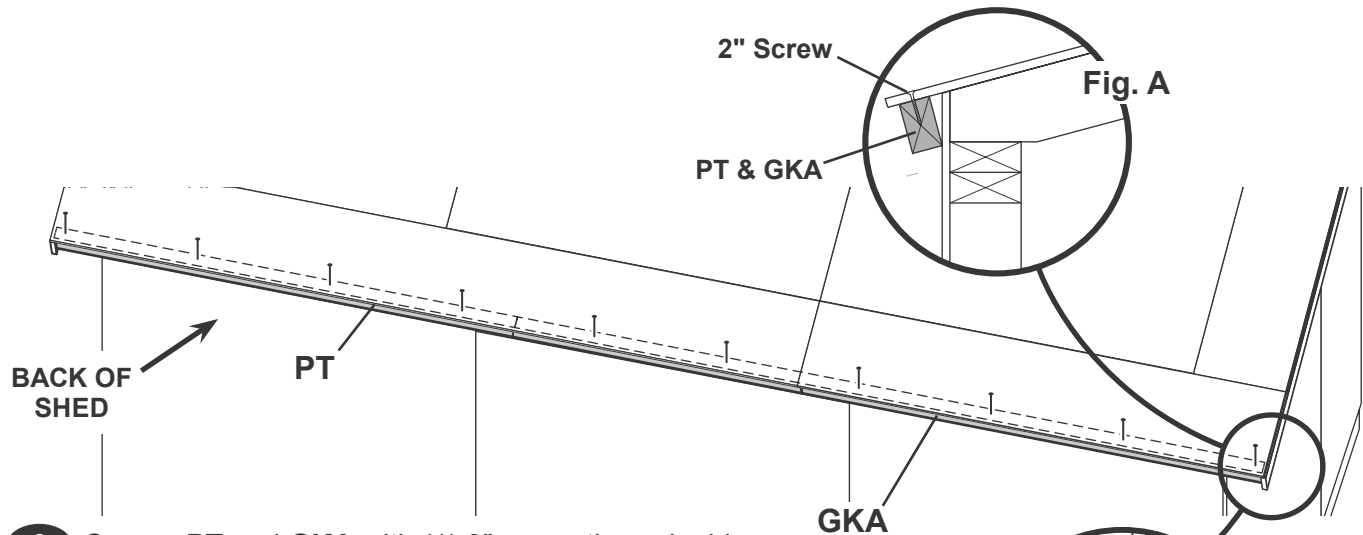
x10  2" (5,1 cm)

x16  2" (5,1 cm)

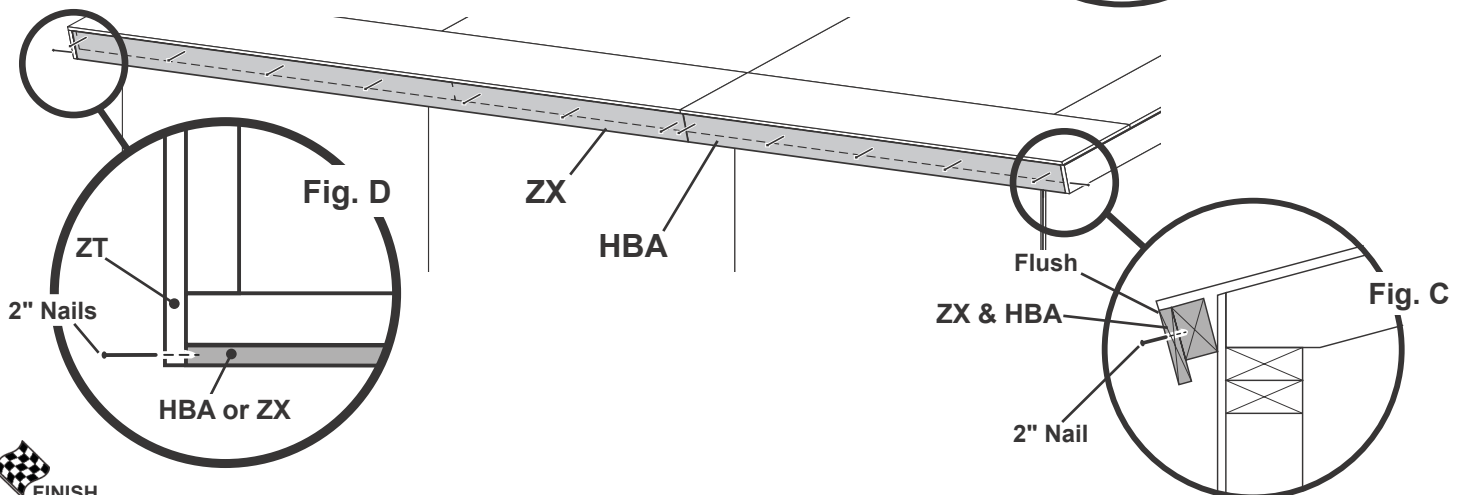
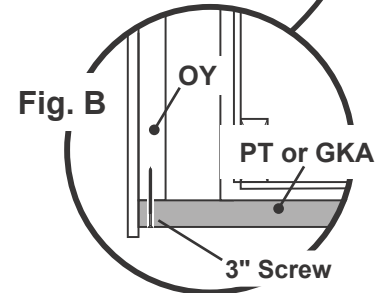


✓ BEGIN

- 1 Place **PT** and **GKA** flush to roof sheathing and flush to back wall panel (Fig. A).
- 2 Secure **PT** and **GKA** with 2" wood screws through roof sheathing (Fig. A).



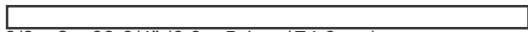

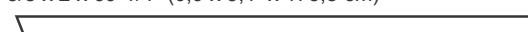
- 3 Secure **PT** and **GKA** with (1) 3" screw through side fascia trim nailer **OY** (Fig. B).
- 4 Nail **HBA** and **ZX** to **PT** and **GKA** using 2" nails (Fig. C). Ensure trim is *primed side out*.
- 5 Secure side fascia trim **ZT** to **HBA** and **ZX** using (1) 2" nail at each end. (Fig. D).

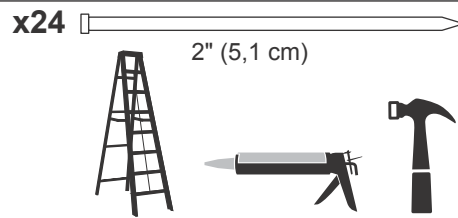


- 6 You are finished installing your rear fascia trim.

BACK CORNER TRIM

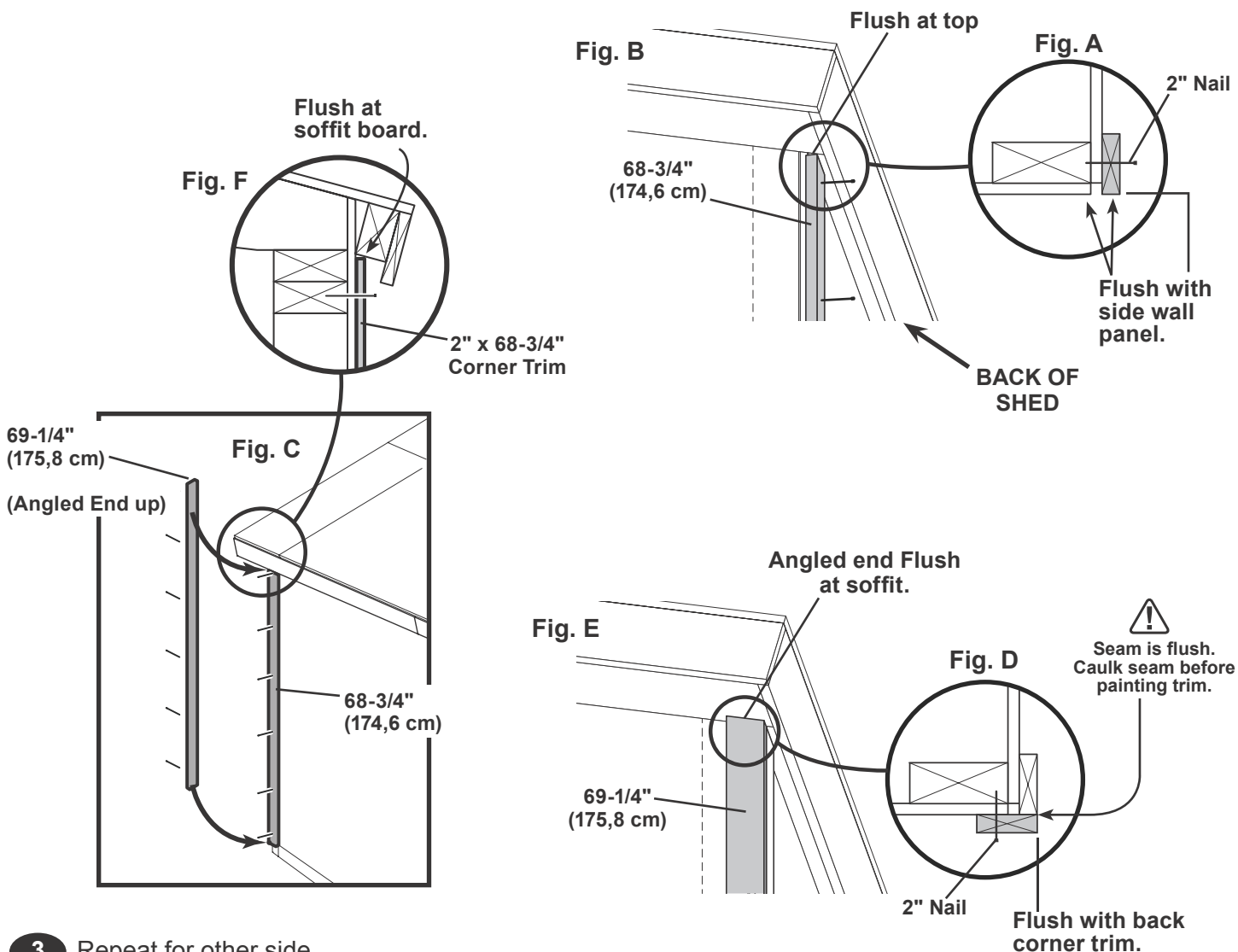
PARTS REQUIRED:

- x2  3/8 x 2 x 68-3/4" (0,9 x 5,1 x 174,6 cm)
- x1  3/8 x 2 x 69-1/4" (0,9 x 5,1 x 175,8 cm)
- x1  3/8 x 2 x 69-1/4" (0,9 x 5,1 x 175,8 cm)



✓ BEGIN

- 1 Place 68-3/4" back corner trim flush to bottom of back soffit board (Fig. A, B, F) and flush with side panel along the length (Fig. A). Attach using (6) 2" finish nails into corner wall framing (Fig. A, C). Space nails equally (Fig. C).
- 2 Place 69-1/4" back side corner trim angled end up (Fig. E) flush up under side soffit panel and flush with back corner trim along the length (Fig. E). Attach trim using (6) 2" finish nails into corner wall stud (Fig. D, C). Space nails equally (Fig. C).



- 3 Repeat for other side.

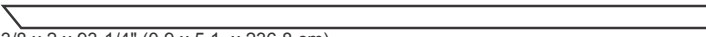
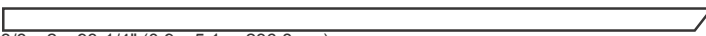


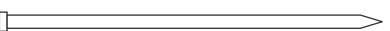
FINISH

- 4 You have attached your back corner trim.

SIDE CORNER TRIM

PARTS REQUIRED:

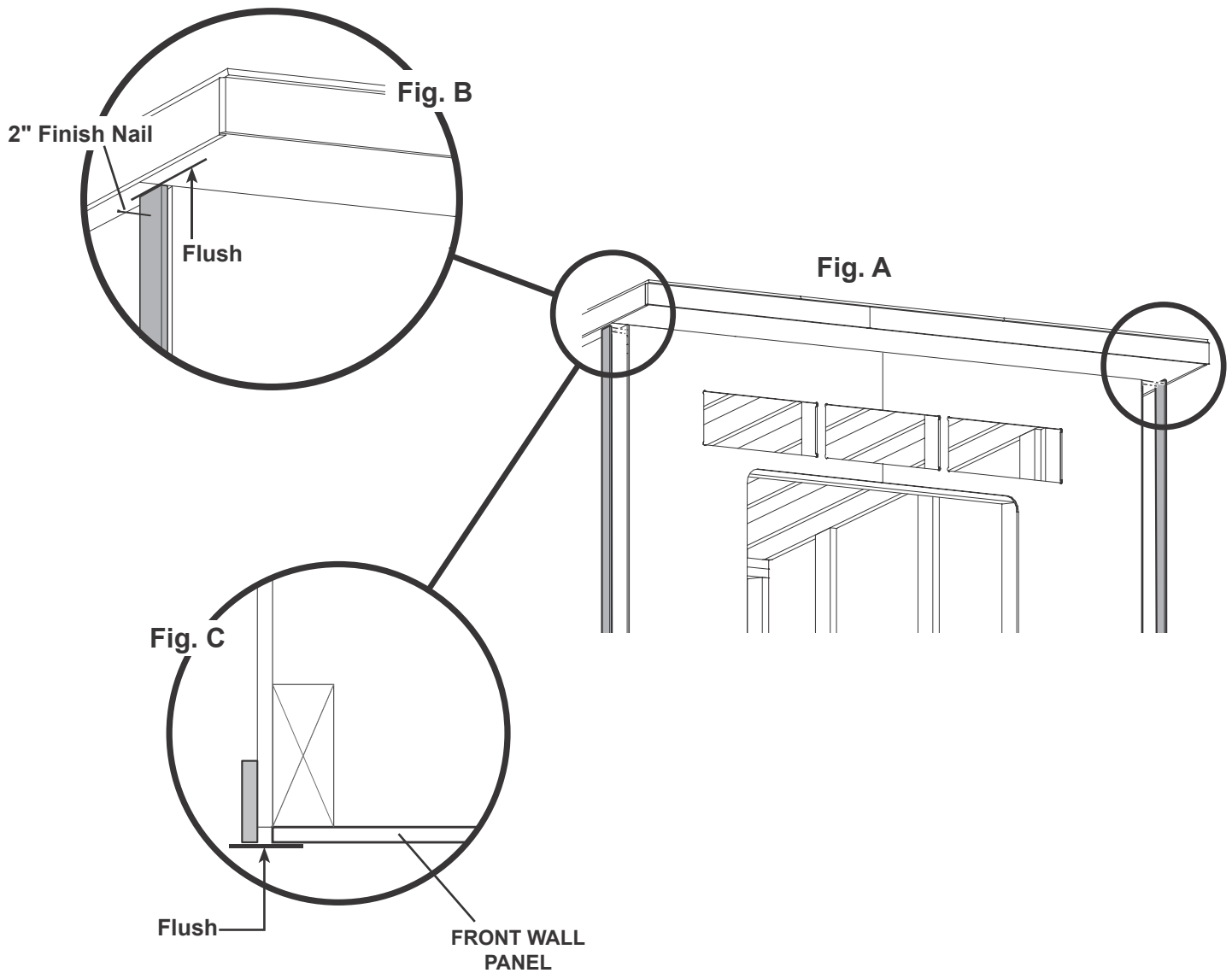
- x1 
3/8 x 2 x 93-1/4" (0,9 x 5,1 x 236,8 cm)
- x1 
3/8 x 2 x 93-1/4" (0,9 x 5,1 x 236,8 cm)

x12  2" (5,1 cm)



✓ **BEGIN**

- 1 Attach **93-1/4"** side corner trims on both sides flush with front wall panel.
Use (6) 2" finish nails to secure side trim to side wall (**Fig. A, B, C**).





FINISH

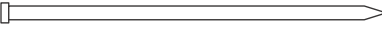
- 2 You have finished attaching your side corner trim boards.

FRONT FRIEZE TRIM

PARTS REQUIRED:

x1 
3/8 x 2 x 72" (0,9 x 5,1 x 182,9 cm)

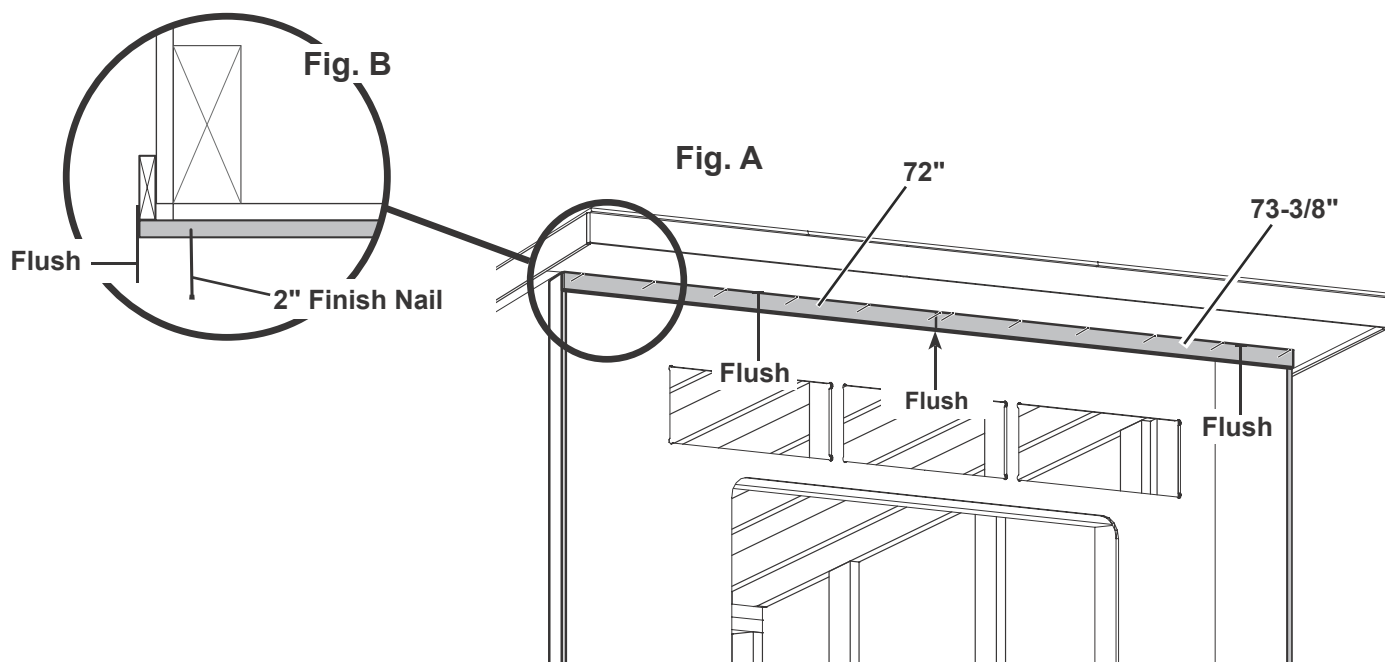
x1 
3/8 x 2 x 73-3/8" (0,9 x 5,1 x 186,4 cm)

x12 
2" (5,1 cm)



✓ **BEGIN**

- 1** Attach **72"** and **73-3/8"** front horizontal frieze boards using **2"** finish nails evenly spaced as shown (**Fig. A**). Note: The frieze boards will be flush with the side trim (**Fig. B**).

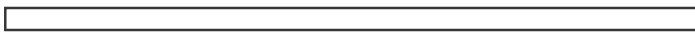



FINISH

- 2** You have finished attaching your front frieze trim.

FRONT CORNER TRIM

PARTS REQUIRED:

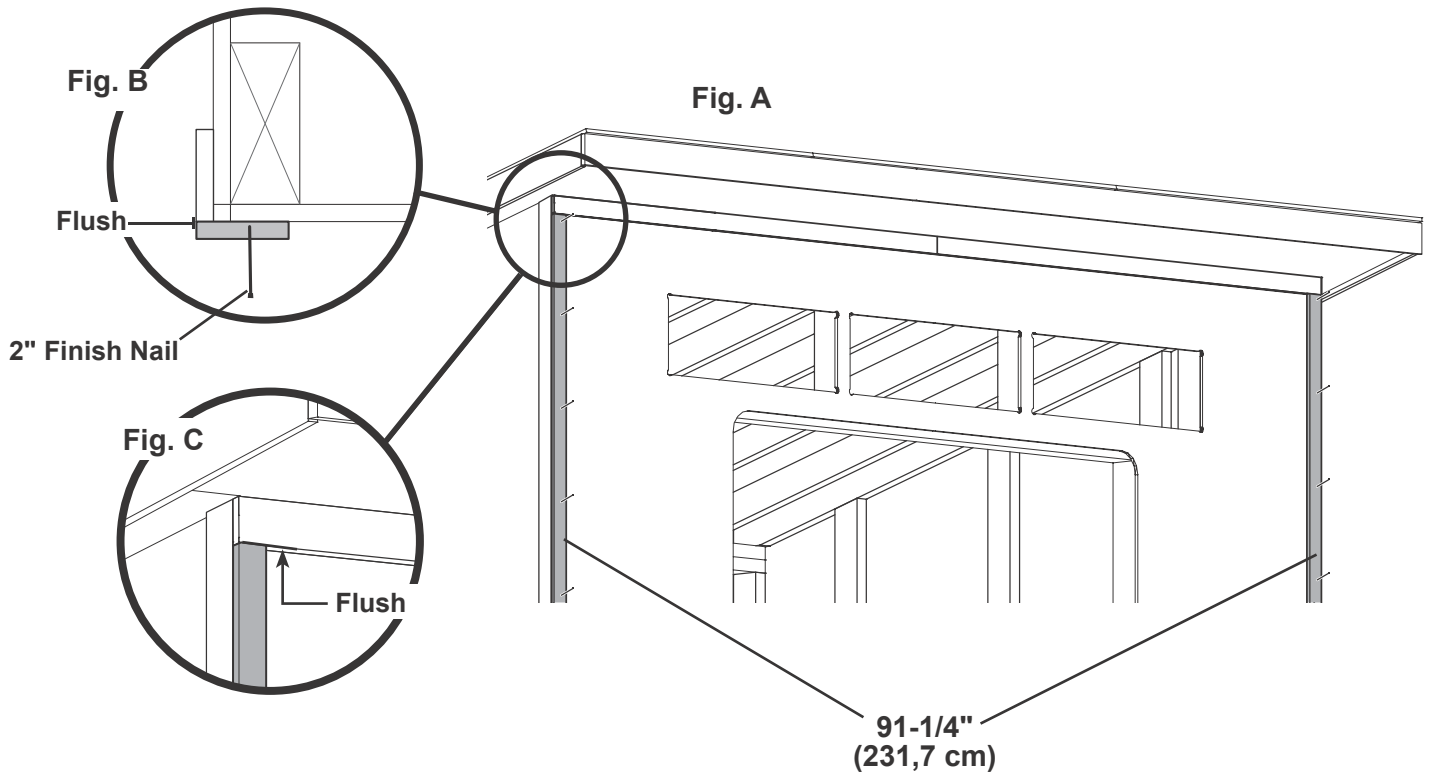
x2 
3/8 x 2 x 91-1/4" (0,9 x 5,1 x 231,7 cm)

x12 
2" (5,1 cm)



✓ **BEGIN**

- 1 Attach both vertical **91-1/4"** front corner trim on both sides, flush to edge of installed side trim using (6) 2" finish nails evenly spaced in each trim board (**Fig. A, B, C**).

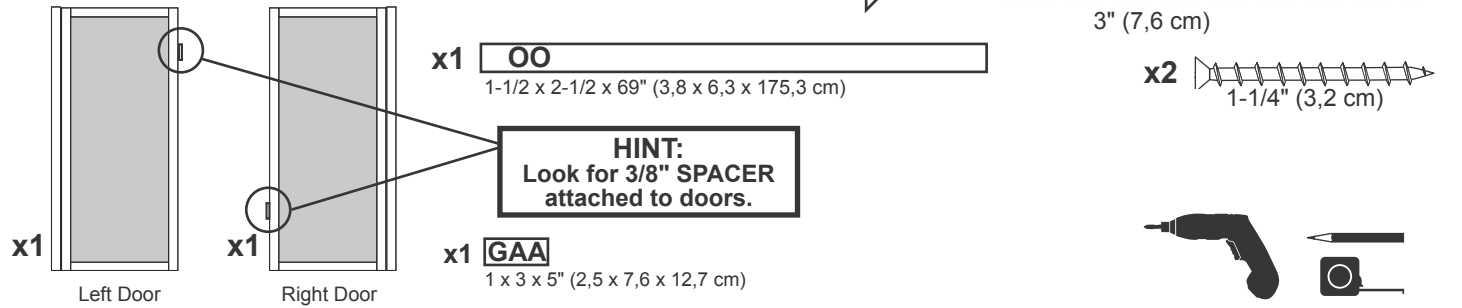


FINISH

- 2 You have finished attaching your front corner trim boards.

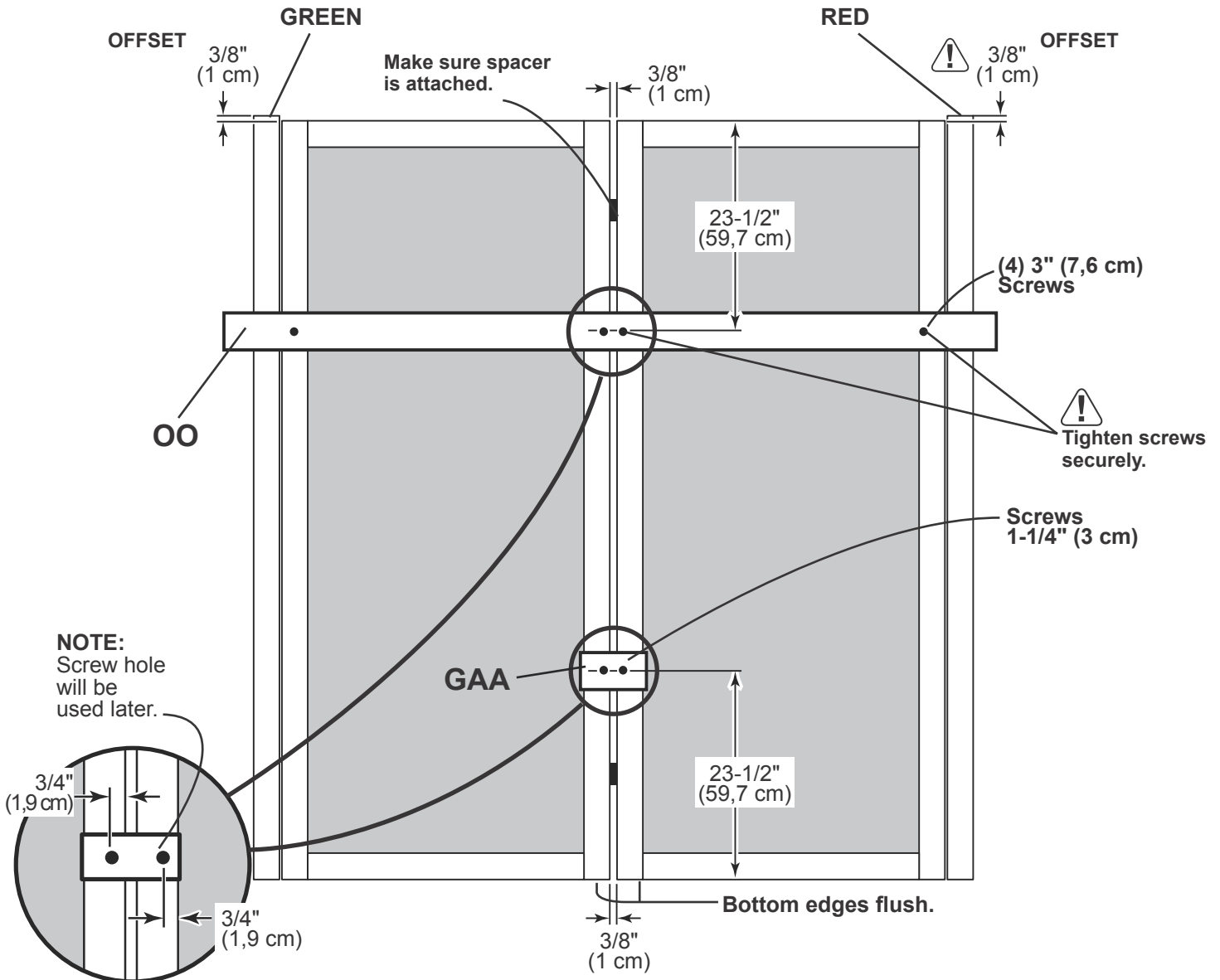
DOORS

PARTS REQUIRED:



✓ BEGIN


- 1** Orient parts as shown on flat surface. 3/8" offset is to top. Look for red (right) and green (left) on hinge board.
- 2** Attach temporary support **OO** with 3" screws in middle and at ends as shown. Tighten securely.
- 3** Attach temporary support **GAA** with two 1-1/4" screws as shown. Tighten securely.



DOORS

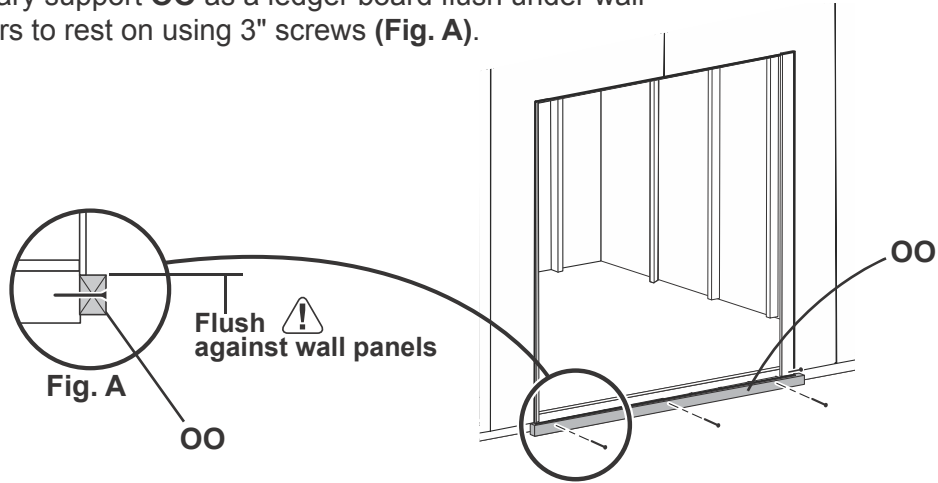
PARTS REQUIRED:



x1 **OO**
1-1/2 x 2-1/2 x 69" (3,8 x 6,3 x 175,3 cm)


x13 
3" (7,6 cm)



- 4** Attach temporary support **OO** as a ledger board flush under wall panels for doors to rest on using 3" screws (**Fig. A**).



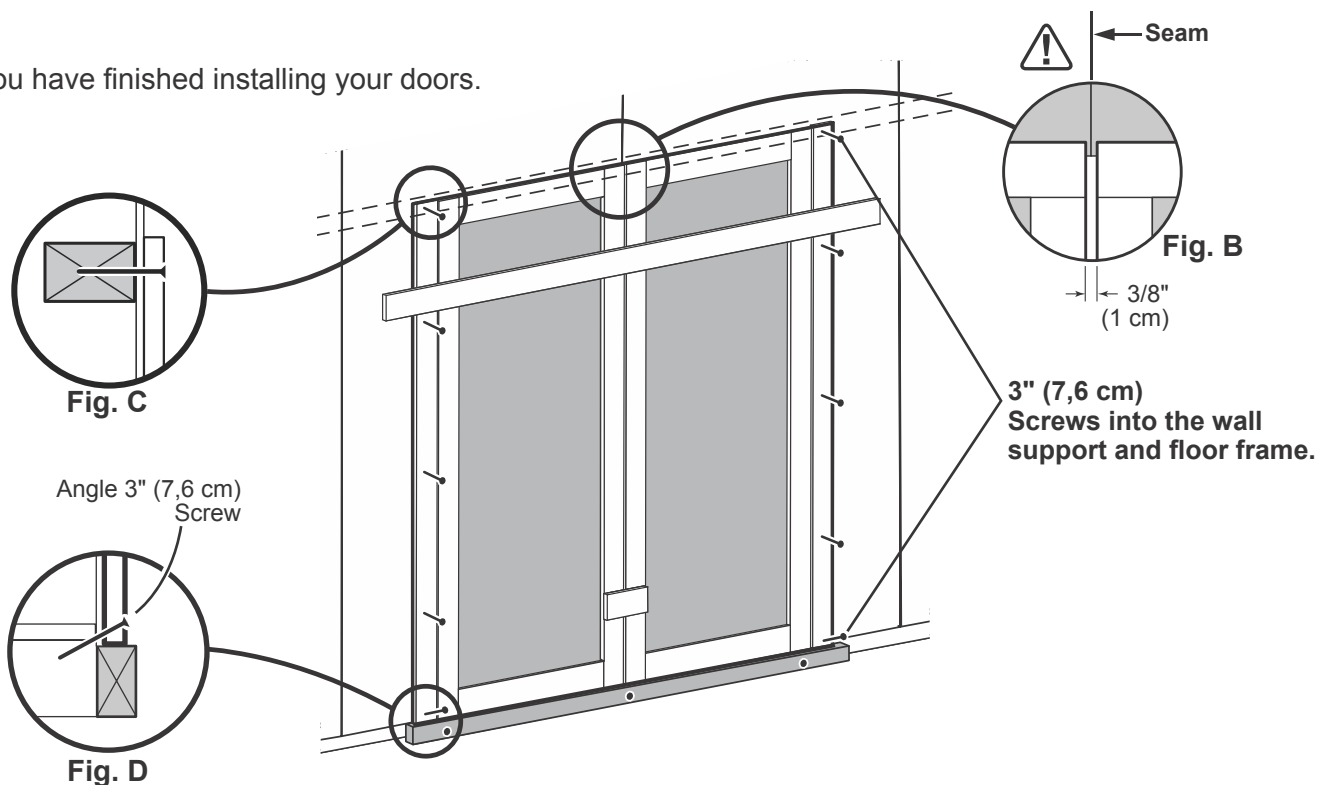
- 5** Center doors on panel seam as shown (**Fig. B**). 
 **Check ledger board is still flush under panels.**

- 6** Screw hinge boards into wall frame and floor using ten 3" screws as shown.
 **Make sure screws go into framing and floor (**Fig. C, D**).**

- 7** Remove temporary supports and check doors open properly.



- 8** You have finished installing your doors.



DOOR TRIM

PARTS REQUIRED:

x2 **AH**
19/32 x 2-1/2 x 26-5/8" (1,5 x 6,3 x 67,6 cm)

x2 **FDA**
19/32 x 2-1/2 x 55-7/8" (1,5 x 6,3 x 141,9 cm)

x1 **64" Metal Threshold**
3/4" (1,9 cm) x11
Bagged separately / special coating

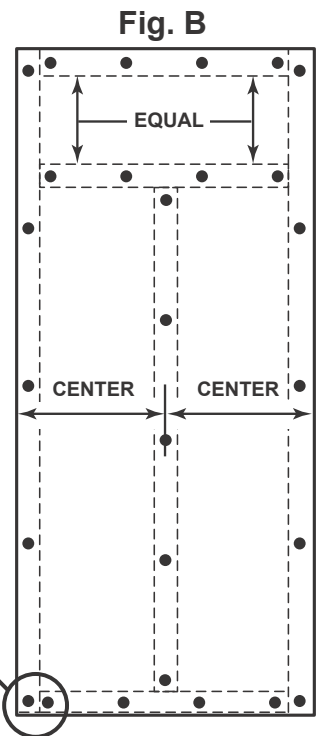
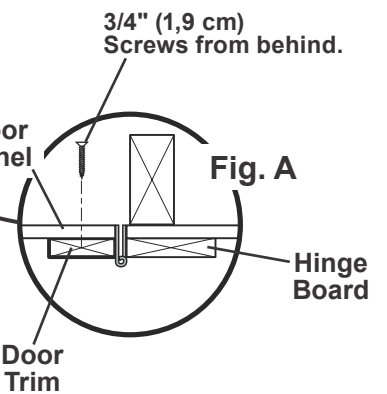
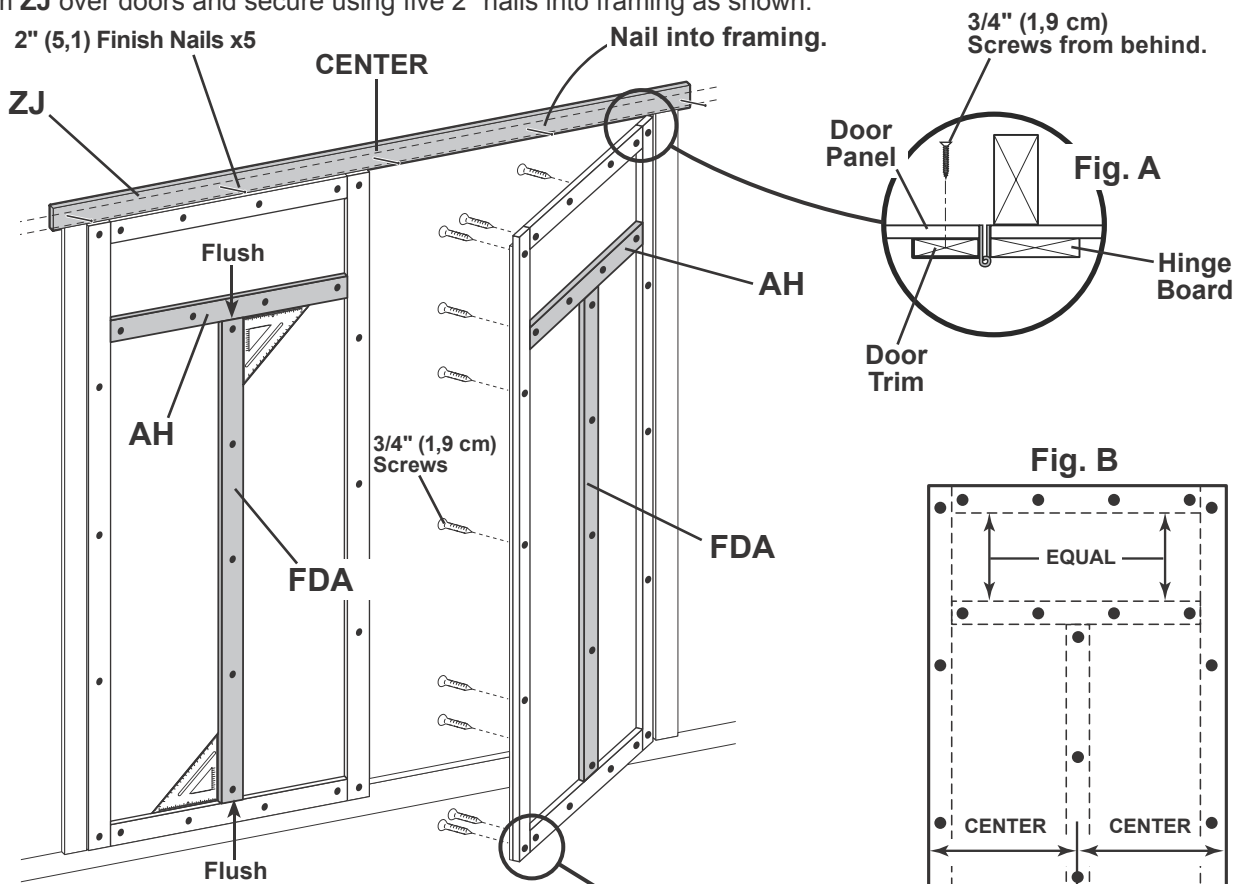
x5 **2" (5,1 cm)**

x54 **3/4" (1,9 cm)**

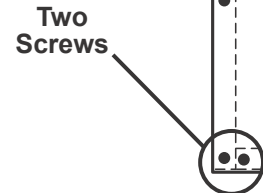
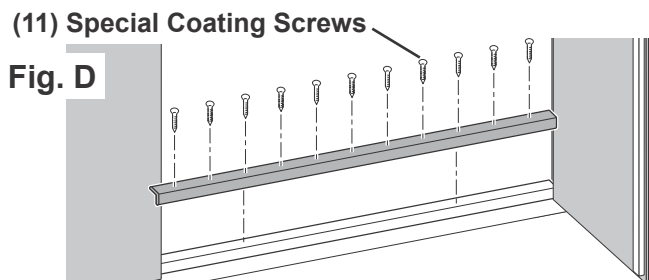


✓ BEGIN

- 1 Secure hinge boards from inside using 3/4" screws as shown (Fig. A).
- 2 Position FDA centered and square with bottom door trim as shown. Secure with five 3/4" screws from inside of doors (Fig. B).
- 3 Position and square upper horizontal door rail AH at top of FDA. Secure with four 3/4" screws from inside of doors.
- 4 Reinforce the door trim using 3/4" screws through door panel into trim (Fig. A). Locate screws as shown (Fig. B). Use two screws at seams.
- 5 Center trim ZJ over doors and secure using five 2" nails into framing as shown.



- 6 Center metal threshold between doors and secure using (11) 3/4" special coating screws into floor (Fig. D).

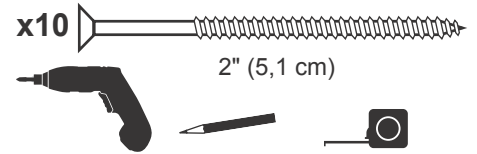


- 7 You have finished attaching your door trim and threshold.

DOOR WEATHERSTRIP

PARTS REQUIRED:

x2 **OO**
 1-1/2 x 2-1/2 x 69" (3,8 x 6,3 x 175,3 cm)



✓ BEGIN

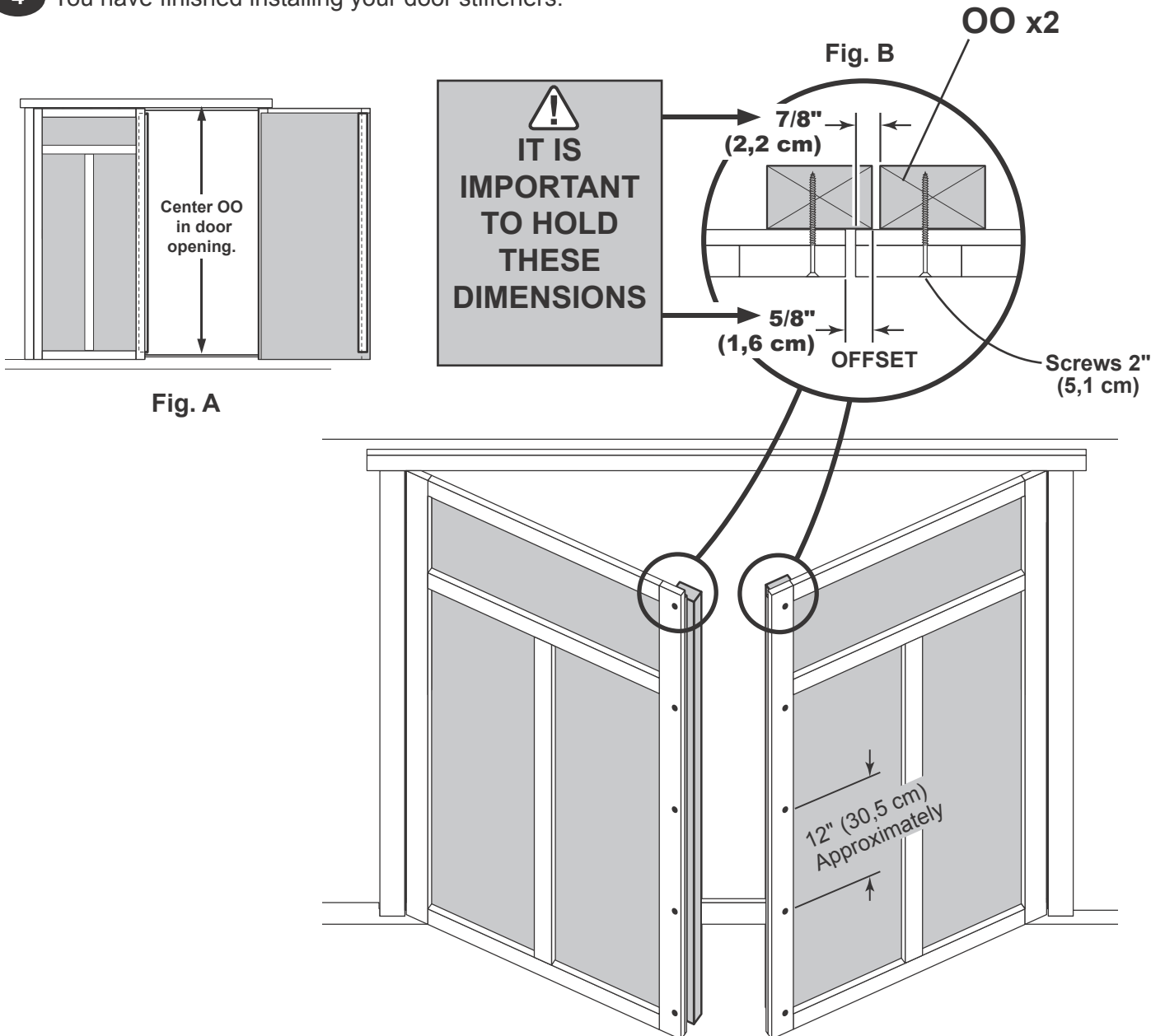
1 Center **OO** vertically on the left door in the door opening flush with the edge of door (**Fig. A**).

2 Secure using (5) 2" screws through outside trim into **OO** (**Fig. B**)

3 Repeat **Steps 1-2** to install **OO** on right door.

FINISH

4 You have finished installing your door stiffeners.



DOOR HARDWARE

PARTS REQUIRED:

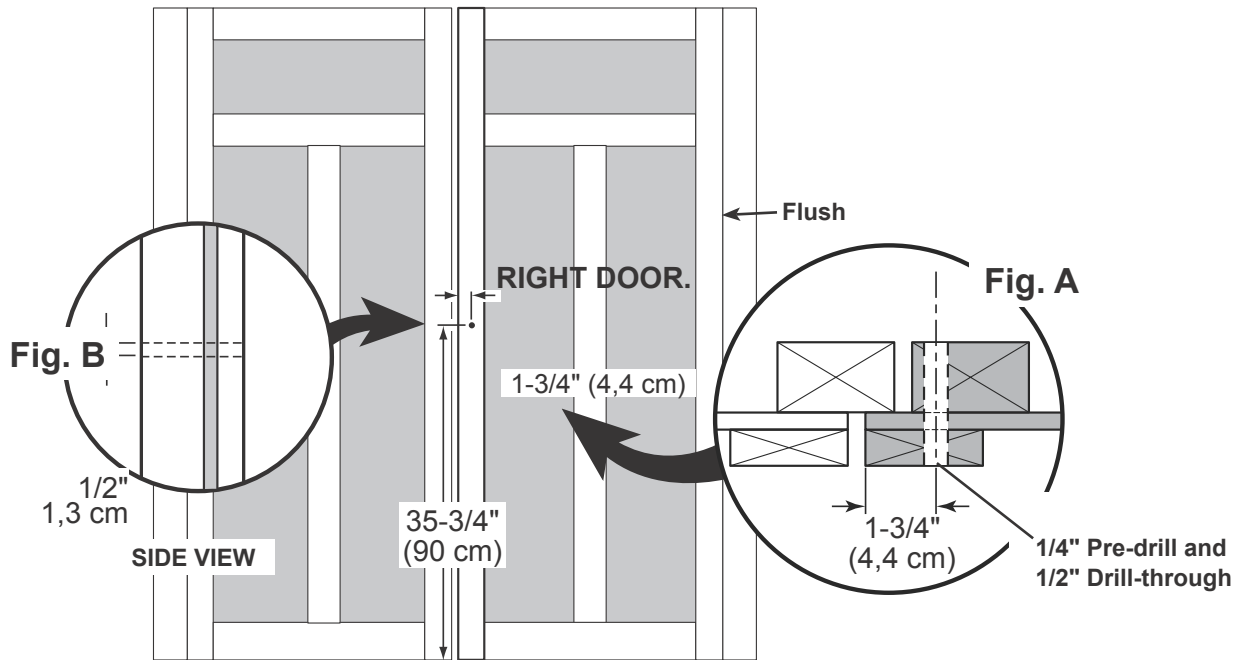


✓ BEGIN

- 1 Measure and mark location of hole on outside of right door as shown (Fig. A).
Pre-drill hole with 1/4" drill.

- 2 Re-drill hole with 1/2" drill (Fig. B).

⚠ Keep drilled hole square to trim to avoid breaking edge of 1-1/2" x 2-1/2" door stiffener.



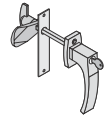
FINISH

- 3 You have finished preparing your door for door handle.


DOOR HARDWARE

PARTS REQUIRED:


Handle (locking) with Screws



1-1/4" x2

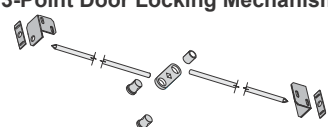


1-1/4" x2




□ x1


3-Point Door Locking Mechanism



1-1/4" x8



3/4" Tech Screw with drill point



x4

□ x1

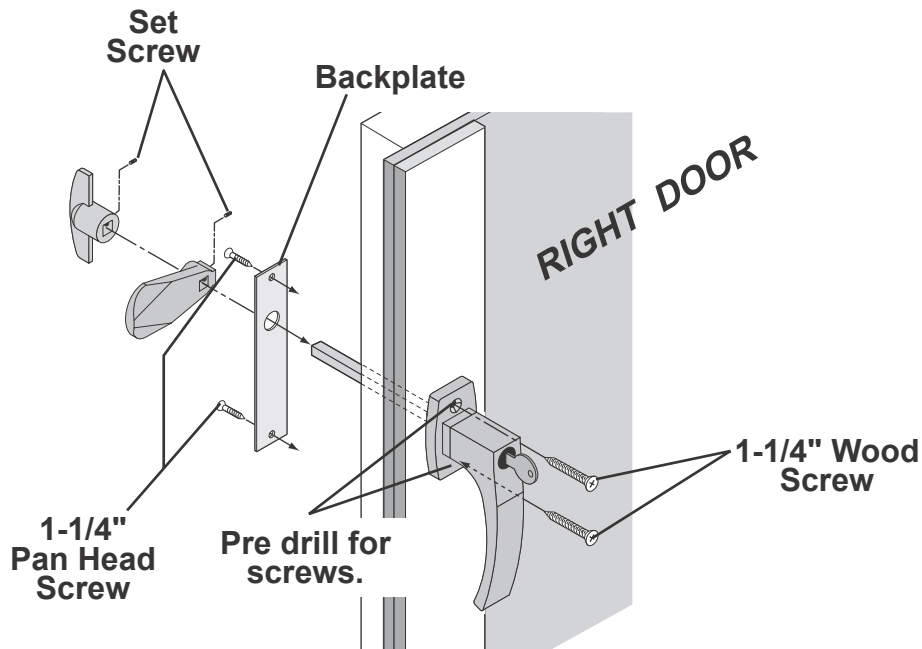


1/2" (13 mm) Drill Bit

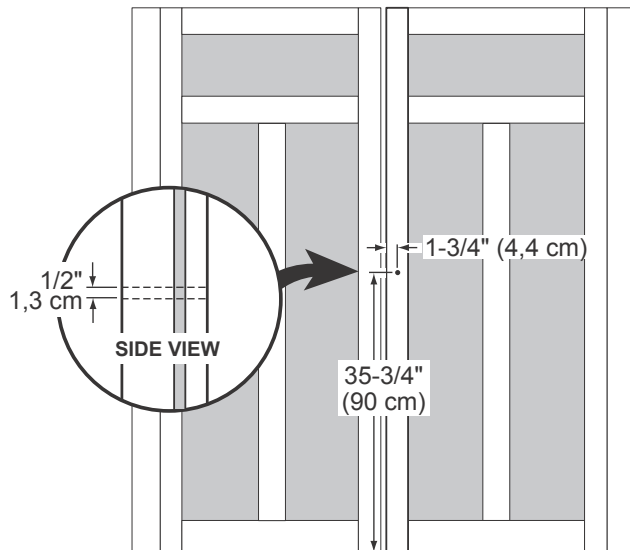
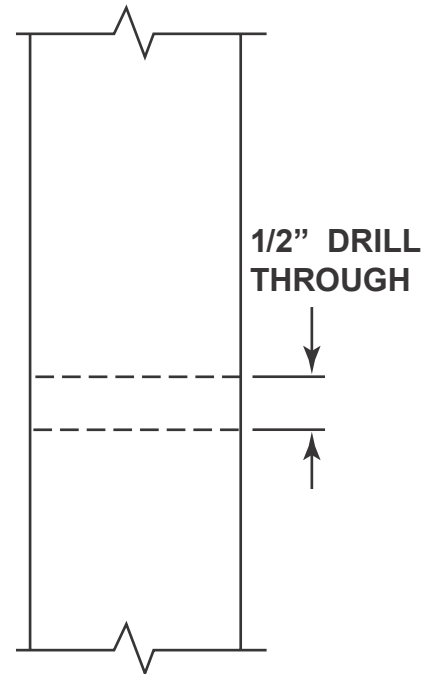


1/4" (6 mm) Drill Bit

Secure backplate with 1" screws and handle with 1-1/4" screws as shown.

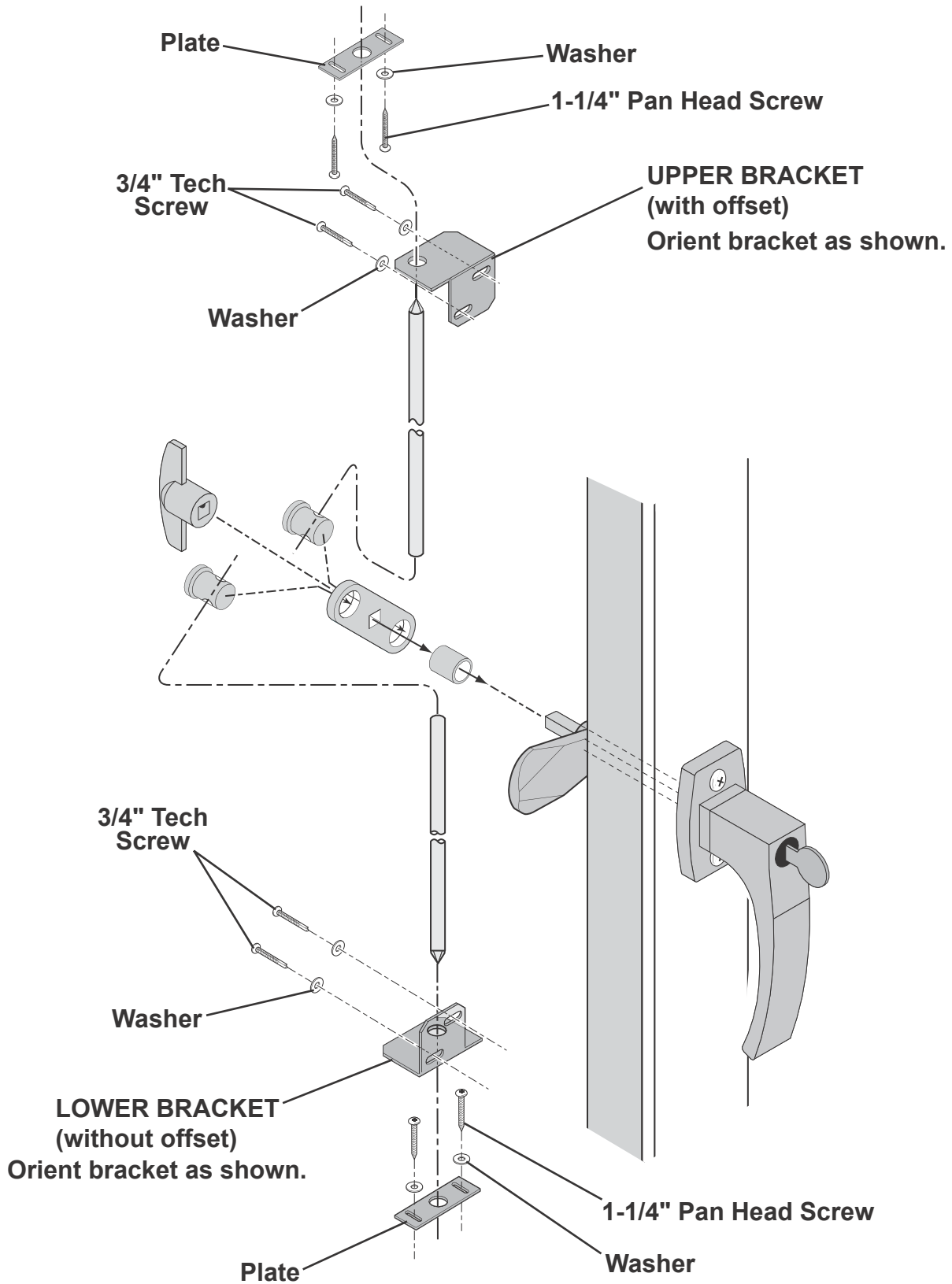


RIGHT DOOR

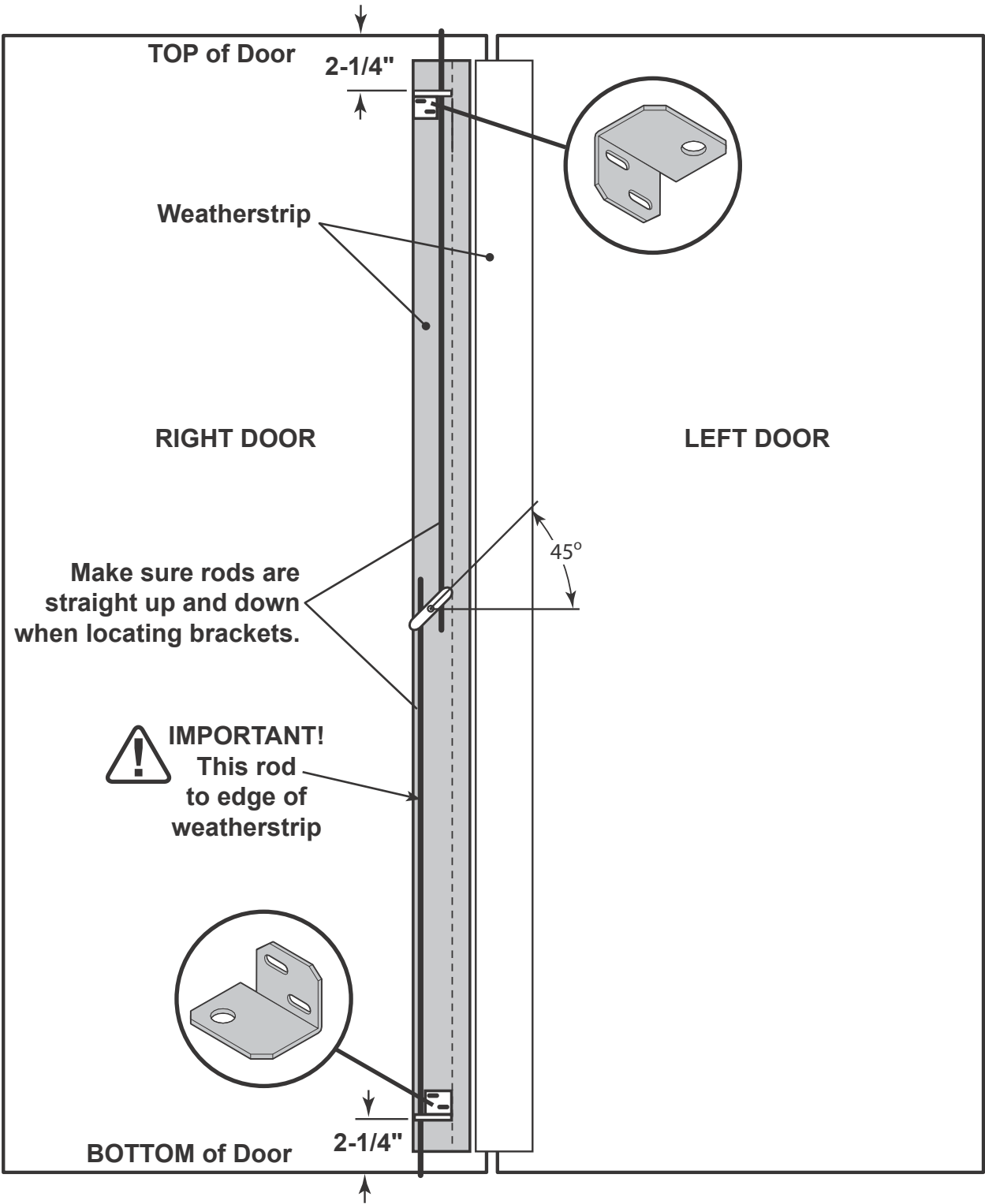


DOOR HARDWARE

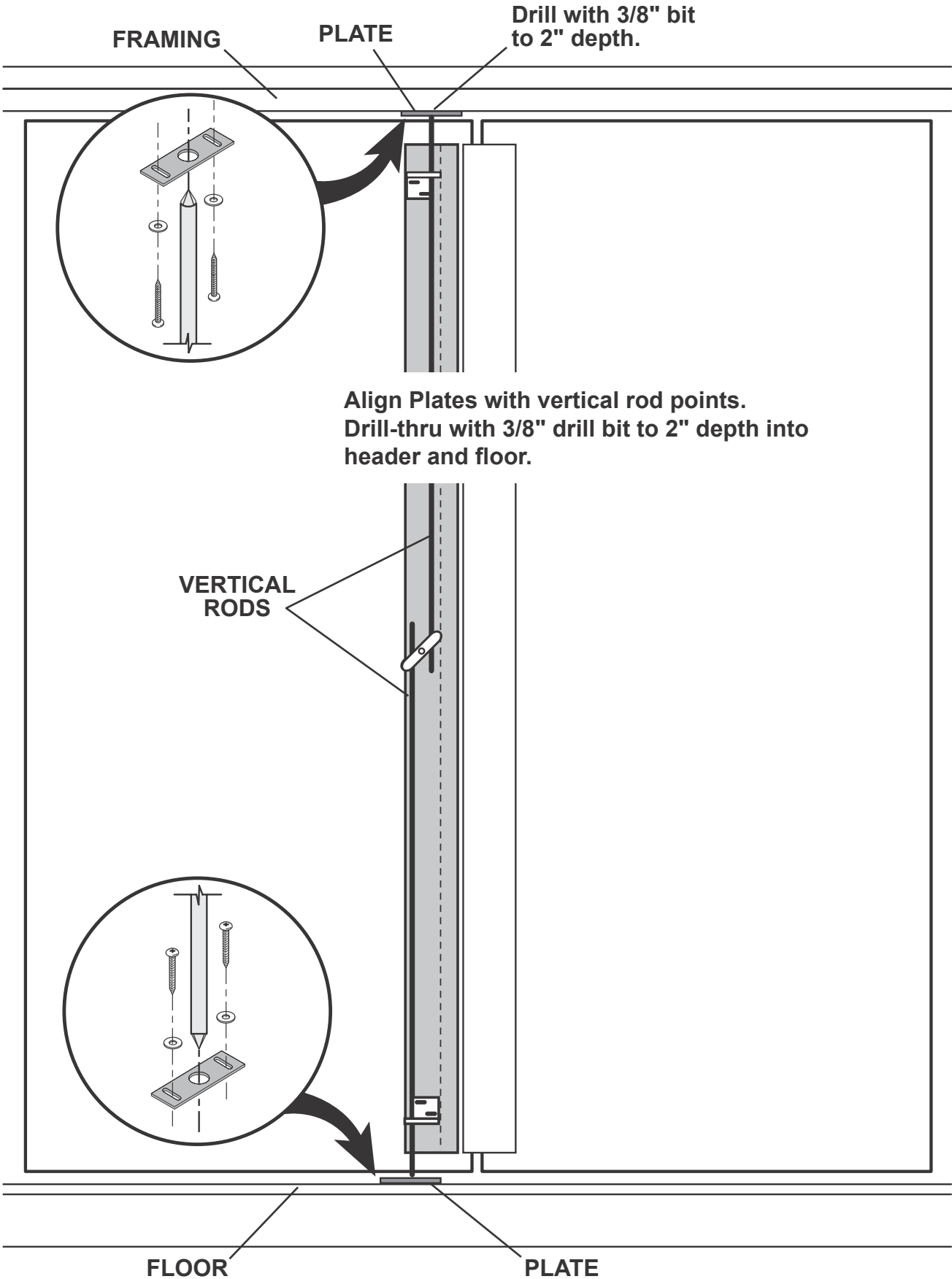
See following pages for mounting locations of brackets and plates.



DOOR HARDWARE

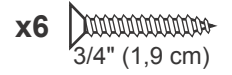
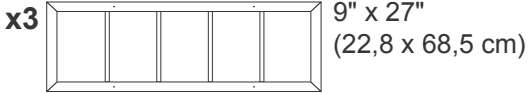


DOOR HARDWARE



FRONT WINDOWS

PARTS REQUIRED:



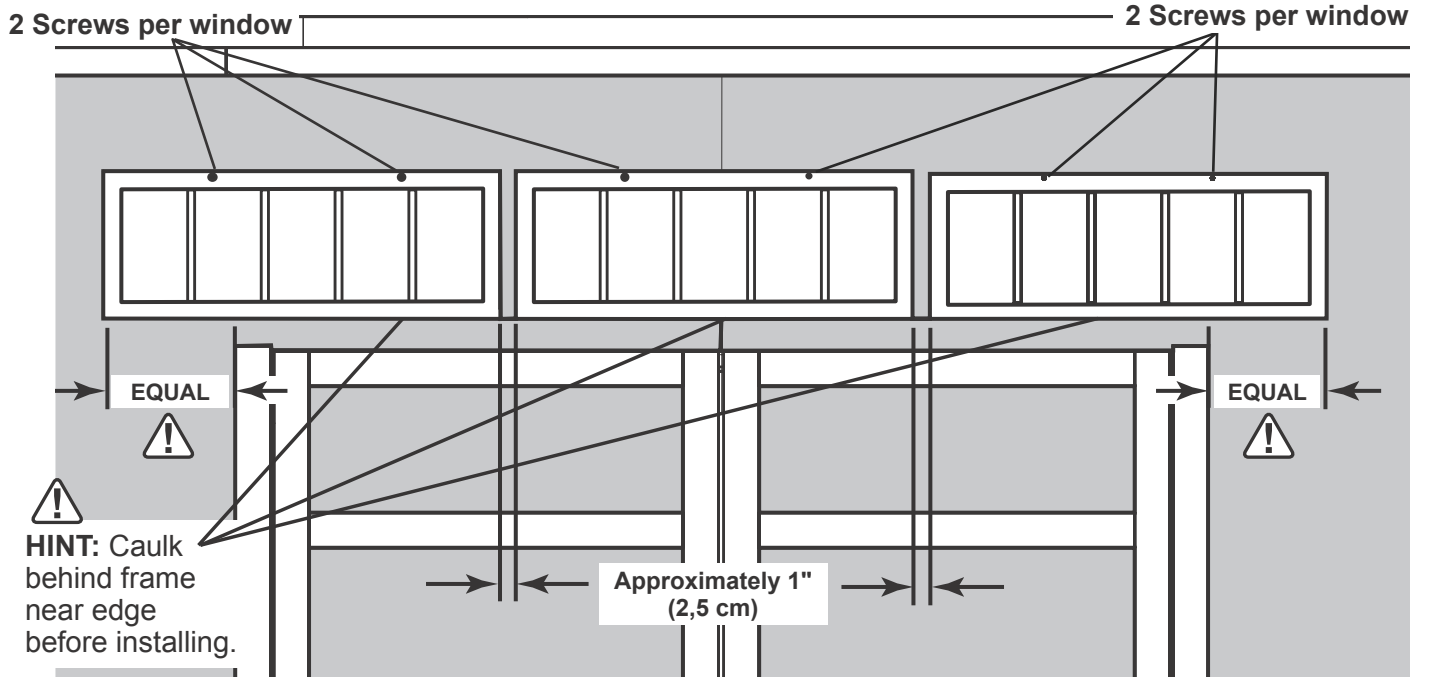
✓ **BEGIN**

1 Apply high quality exterior-grade caulk behind frame near edge before installing to seal window.

2 From outside of shed, position window in center of opening and level. Use two screws at top of windows.

 **Maintain equal distance on both sides of door.**


Do not fully tighten screws.




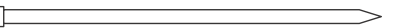
 **You must caulk around windows to validate warranty.**

FRONT WINDOWS

PARTS REQUIRED:

x2 **BSA** 
 19/32 x 2-1/2 x 91" (1,5 x 6,3 x 231,1 cm)

x4 **EY** 
 19/32 x 2-1/2 x 9" (1,5 x 6,4 x 22,9 cm)

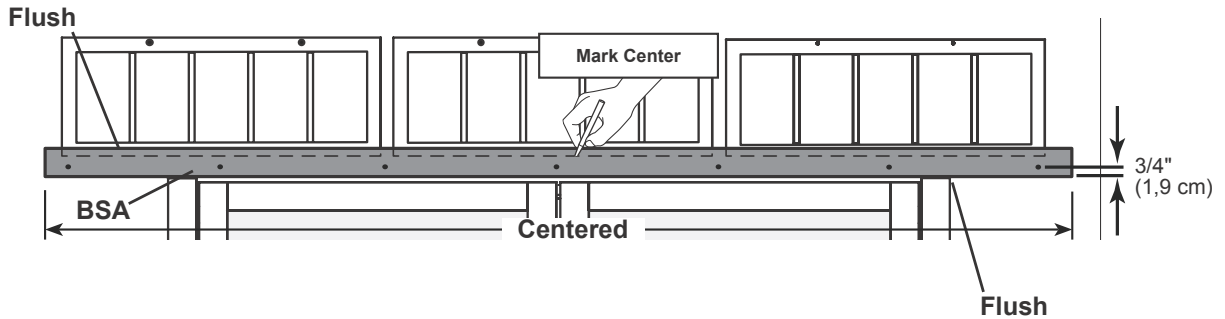
x19  2" (5,1 cm)



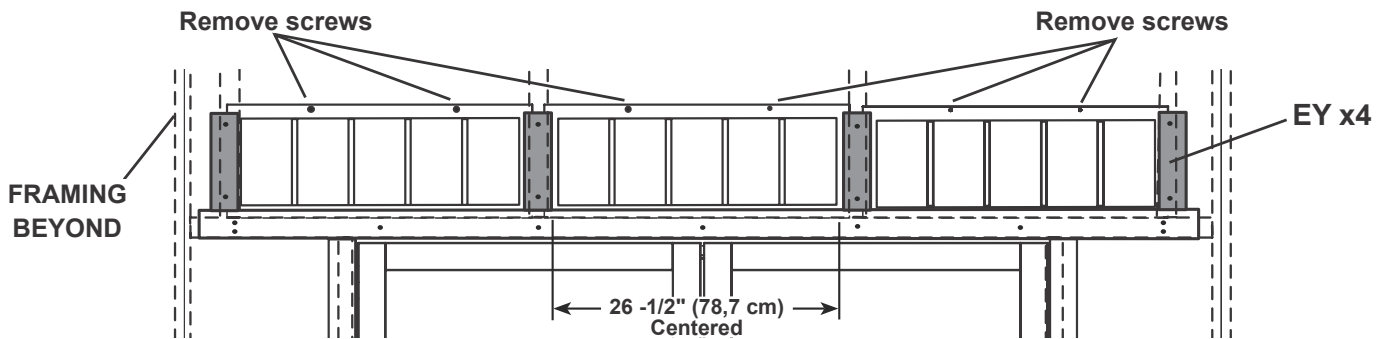
3 Center **BSA** over door. Secure using (7) 2" finish nails as shown.



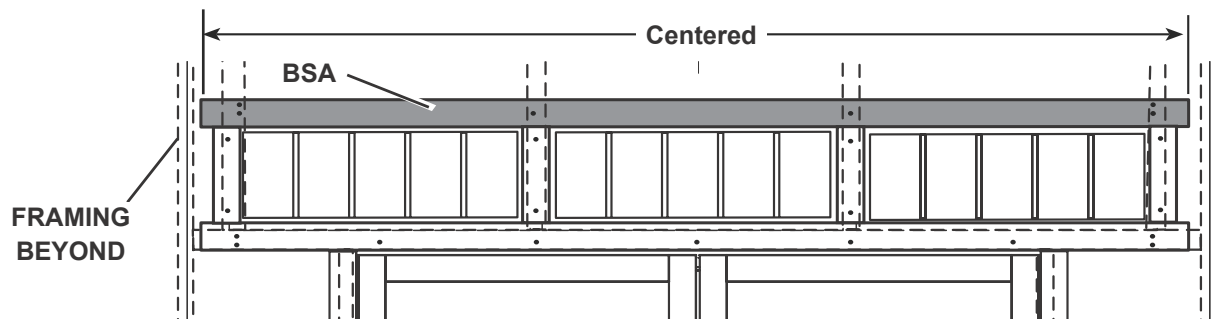
Do not nail into window flange.



4 Position **EY** at ends and in between window frame as shown. Secure using (8) 2" finish nails. Remove 1-1/4" screws.



5 Position **BSA** centered on window frame as shown. Secure using (4) 2" finish nails.




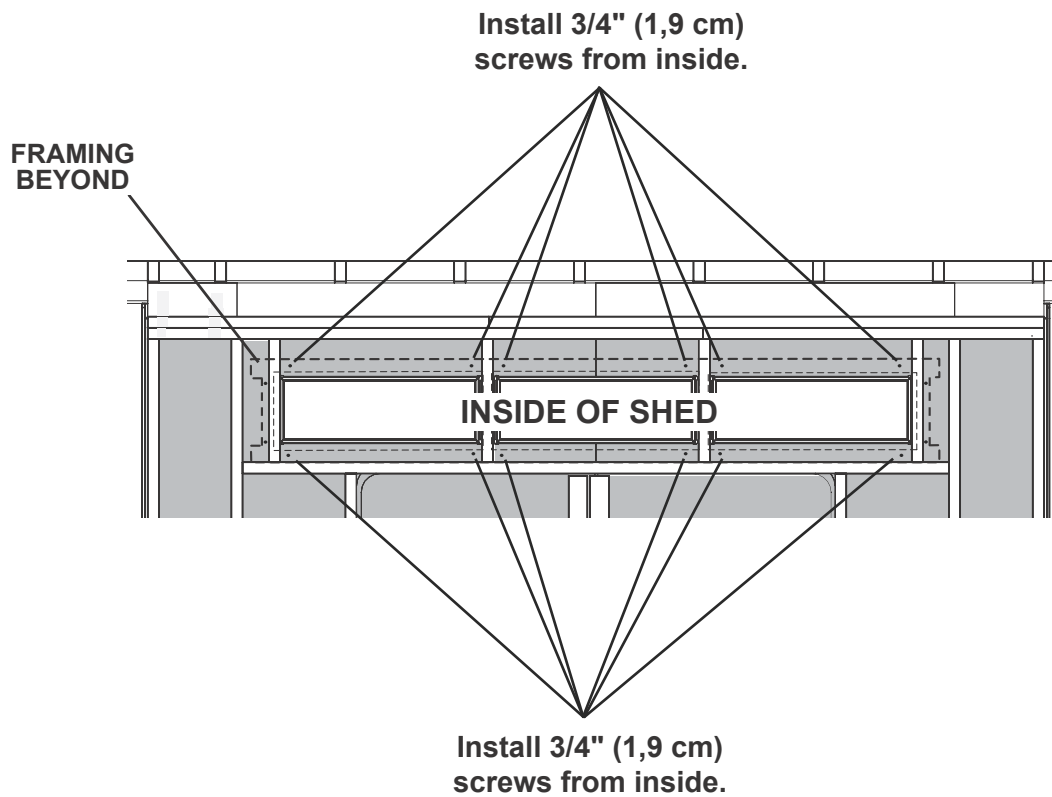
FRONT WINDOWS

PARTS REQUIRED:



6 Install (12) 3/4" screws from inside, as shown.

 Do not screw into window flange.



7 You have finished installing your window.

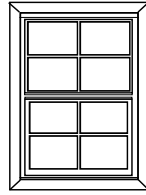
SIDE WINDOWS


PARTS REQUIRED:

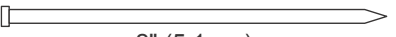
x1 **JFA**
 19/32 x 2-1/2 x 41-1/4" (1,5 x 6,3 x 104,8 cm)

Window
 16-1/4" x 22-1/4"
 (41,3 x 56,5 cm)

x2



x8  2" (5,1 cm)

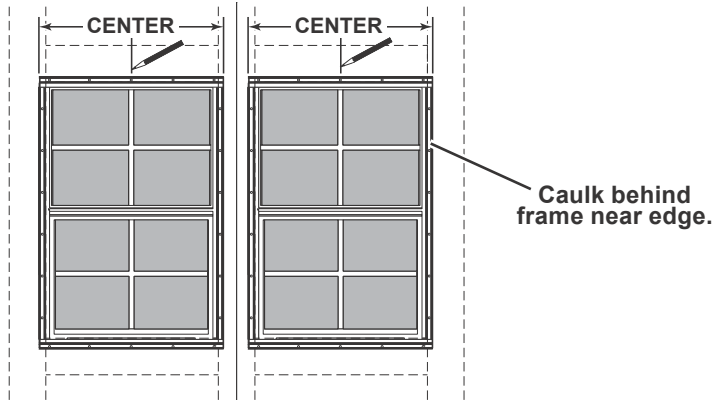
x4  2" (5,1 cm)



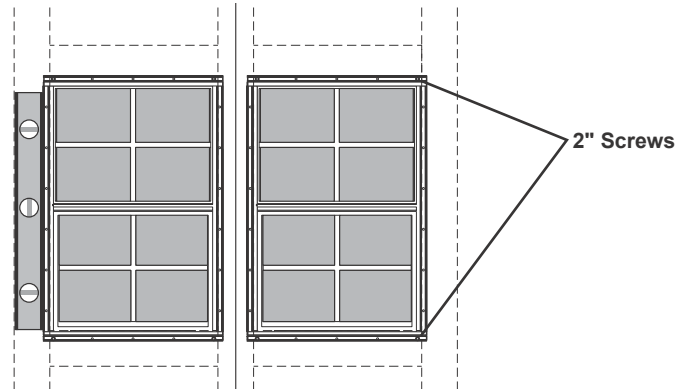
✓ BEGIN

Mark center of window frames as shown.

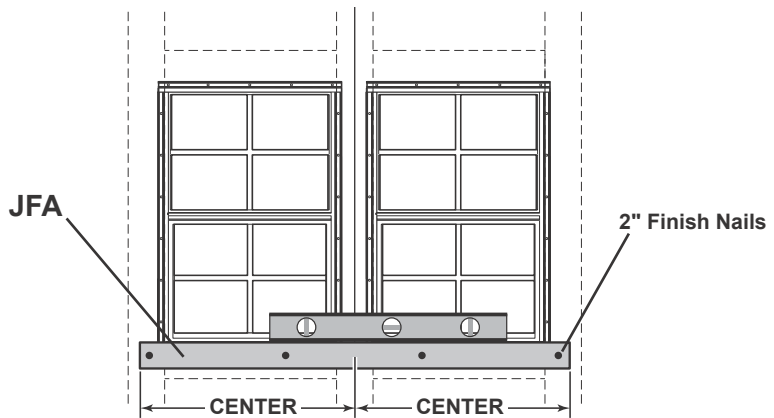
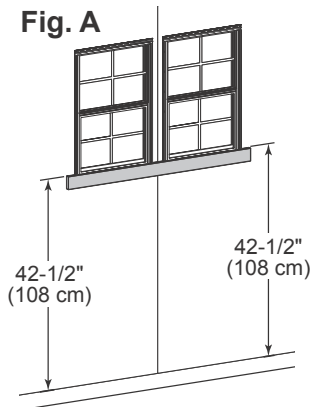
2 Seal windows with high-quality exterior-grade caulk before installing.



3 Attach windows using (8) 2" screws as shown. Ensure windows are level.



4 Measure up from bottom of panel 42-1/2" (**Fig.A**). Center **JFA** with panel seam. Level and secure with (4) 2" finish nails.



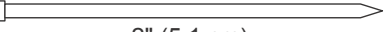
SIDE WINDOWS

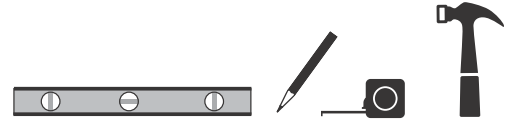
PARTS REQUIRED:

x2 **CY** 19/32 x 2-1/2 x 24-1/2" (1,5 x 6,3 x 62,2 cm)

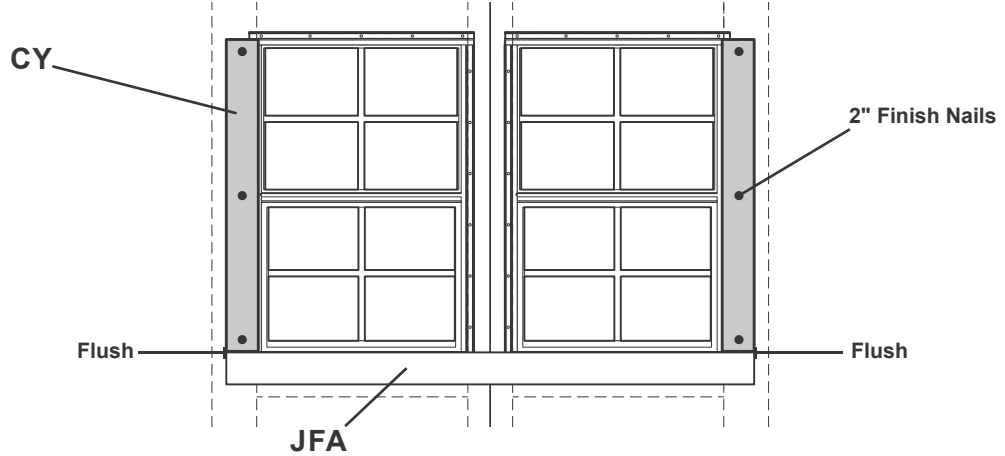
x2 **ZZ** 19/32 x 3-1/2 x 24-3/8" (1,5 x 8,8 x 61,9 cm)

x1 **JFA** 19/32 x 2-1/2 x 41-1/4" (1,5 x 6,3 x 104,8 cm)

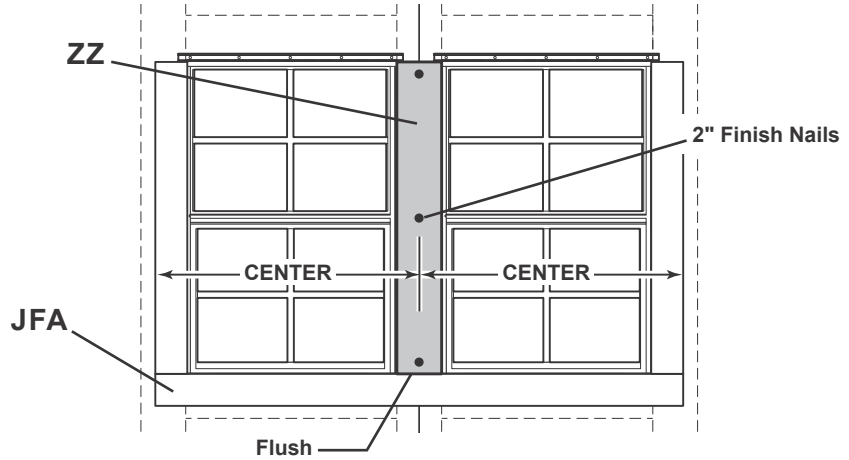
x13  2" (5,1 cm)



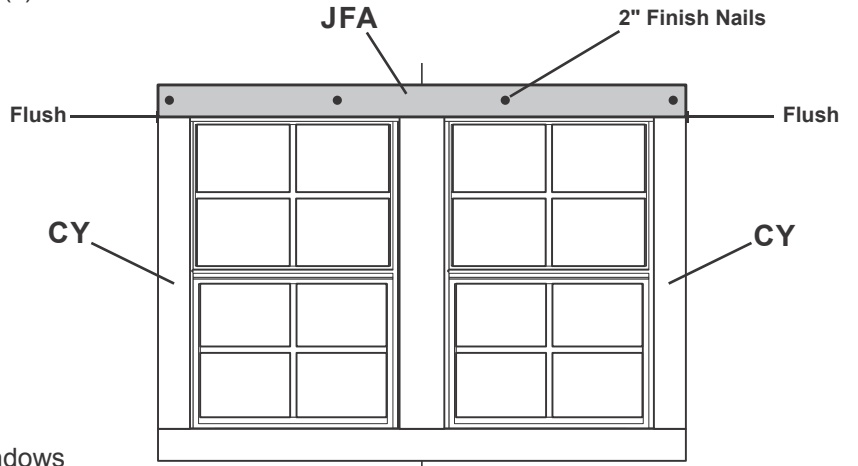
5 Center **CY** flush with **JFA**. Secure with (3) 2" finish nails.



6 Center **ZZ** between windows and flush with **JFA**. Secure with (3) 2" finish nails.



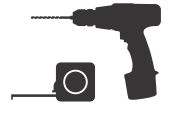
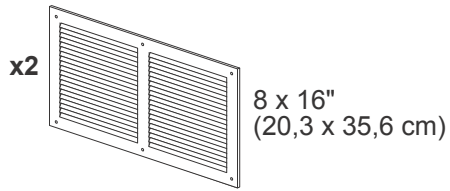
7 Position **JFA** flush with **CY**. Secure with (4) 2" finish nails.




8 You have finished installing your side windows

VENTS

PARTS REQUIRED:



x12 
1/2" (1,3 cm)

✓ BEGIN

1 Locate and mark for two vents in side walls as shown. (1) at top and (1) at bottom

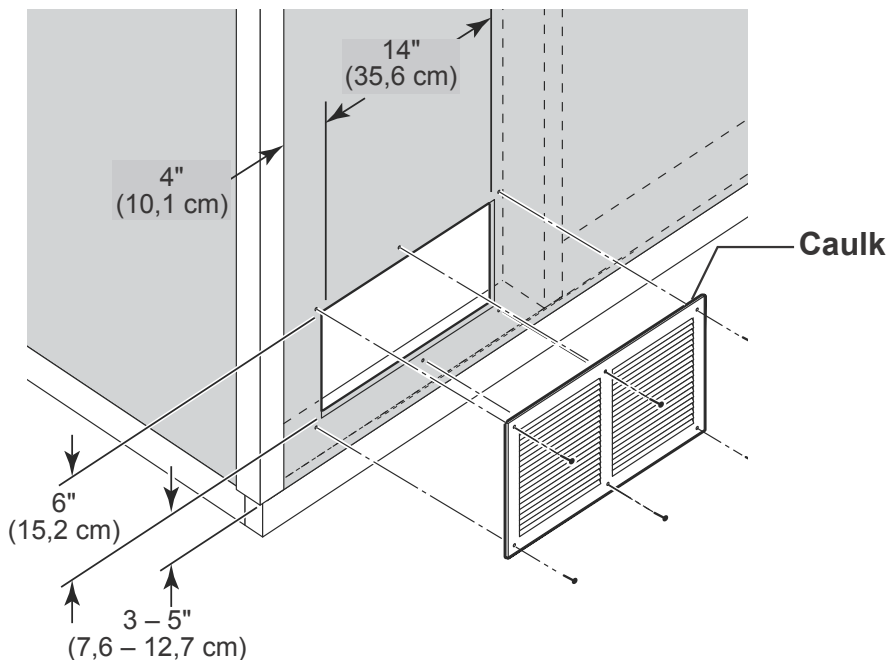
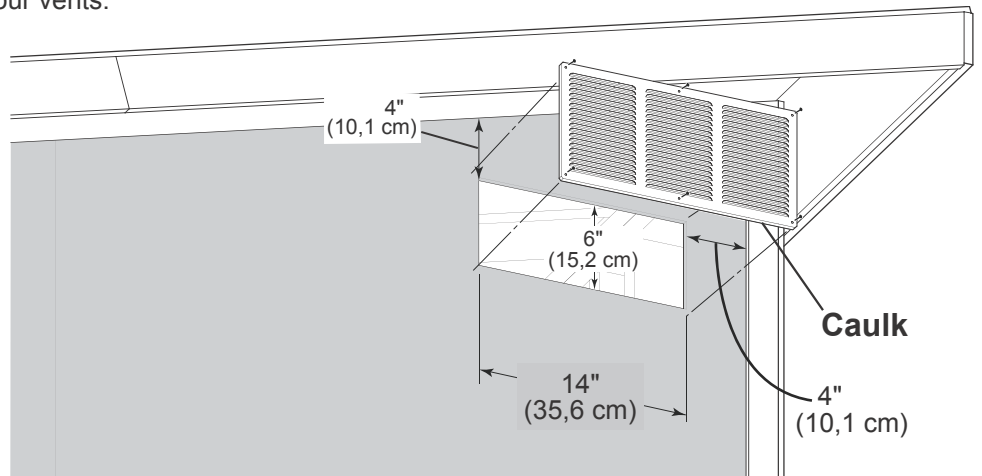
Cut out marked openings.

Caulk behind vent flanges.

2 Secure using 1/2" (1,3 cm) screws.

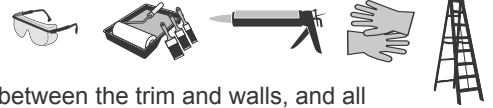
FINISH

3 You have finished installing your vents.



PAINT & CAULK

- NOT INCLUDED -



- Use acrylic latex caulk that is paintable. Caulk at all horizontal and vertical seams, between the trim and walls, and all around the door trim.
- Use a high quality exterior acrylic latex paint. When painting your building, there are a few key areas that can be easily overlooked that must be painted:
 - Bottom edge of all siding and trim
 - Inside of doors and all 4 edges

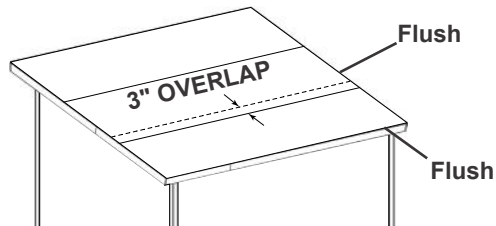
Note:

Prime all un-primed exterior wood before painting.
(Follow directions provided by manufacturer.)

ROOF FELT

- NOT INCLUDED -

- Install felt flush to all roof edges overlapping 3". Use minimal amount of roofing nails to hold in place.



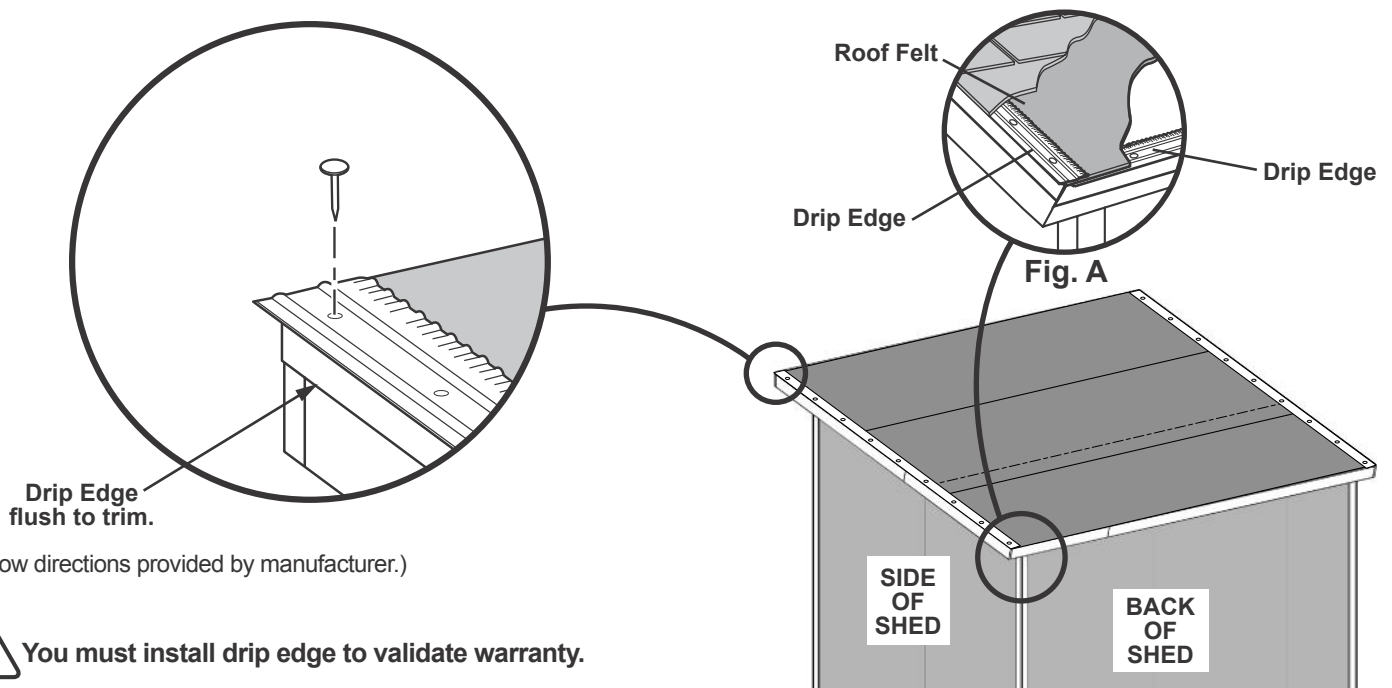
 You must install roof felt to validate warranty.

DRIP EDGE

- NOT INCLUDED -



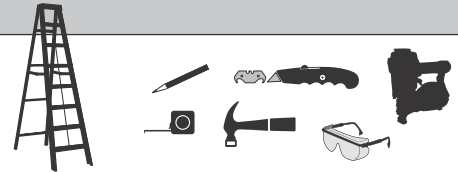
- Install drip edge over roof felt on side of shed and under roof felt on back side (Fig. A).
- Do not use nails on side of drip edge that hangs over side of building.
- Only nail top of drip edge as shown.



 You must install drip edge to validate warranty.

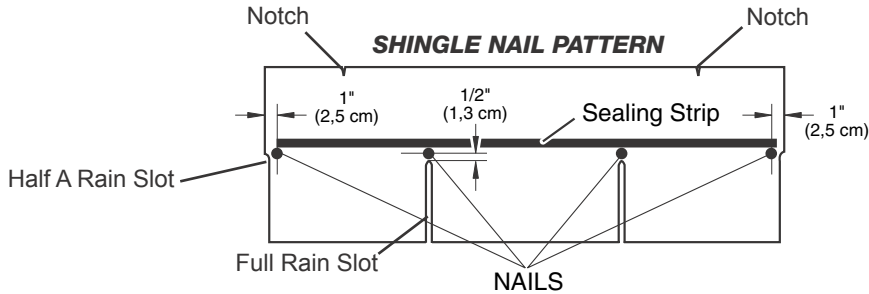
SHINGLES

- NOT INCLUDED -



• Follow directions provided by manufacturer and these instructions.

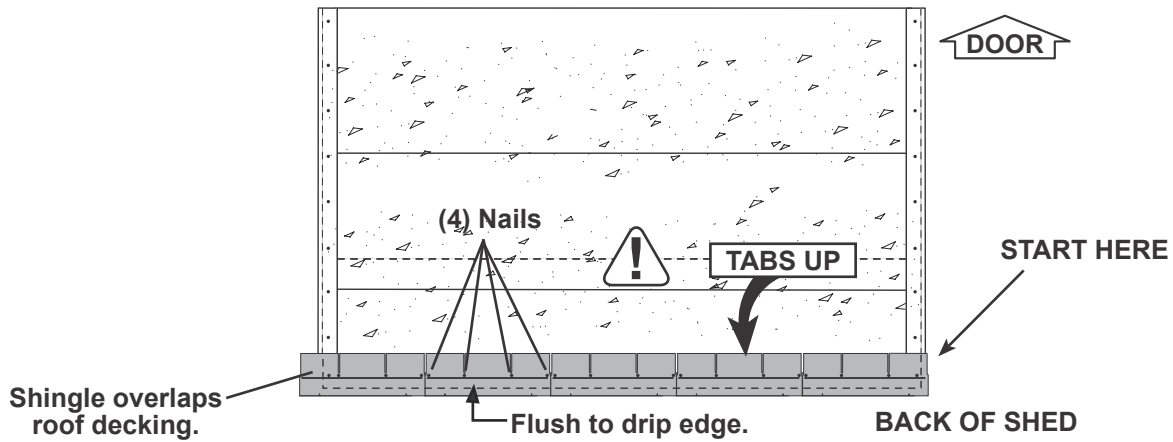
! Familiarize yourself with a 3-Tab Shingle.



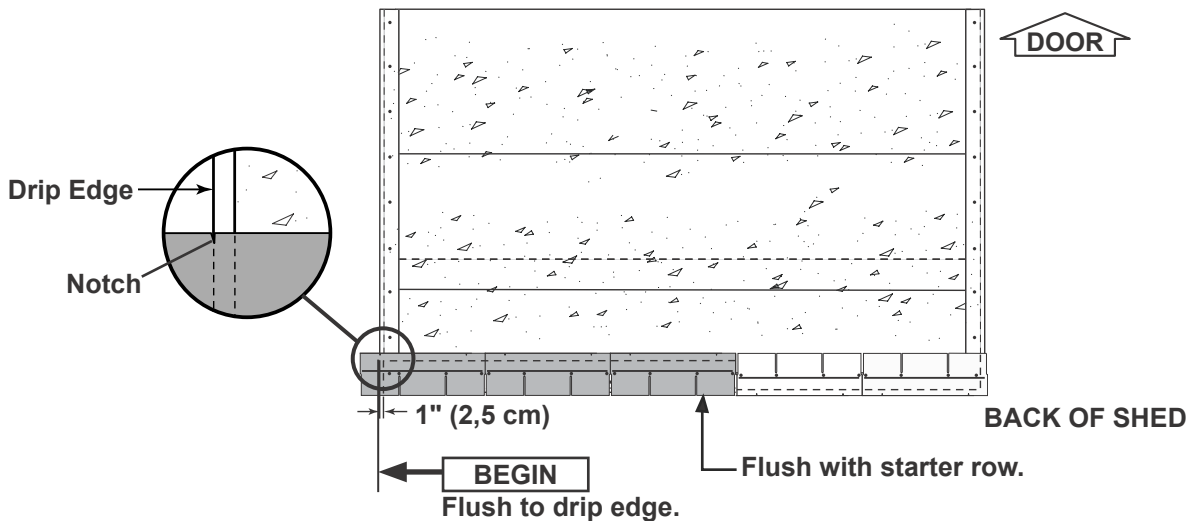
! NEVER DRIVE FASTENERS INTO OR ABOVE SEALING STRIPS.

✓ BEGIN
1

Install first starter row upside down, color up and flush to drip edge at bottom of roof panel. Use (4) nails per shingle. Starter row must be straight and level all the way across with lower edge of roof deck.



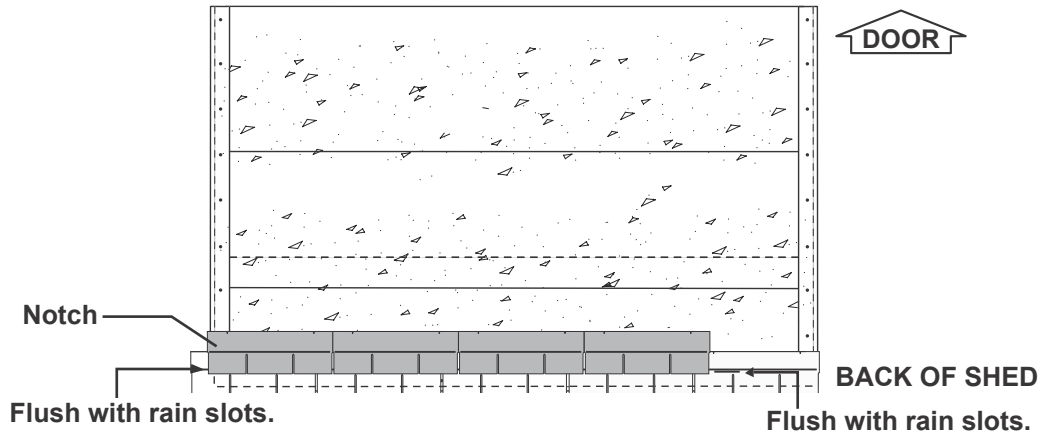
2 Begin where indicated on image below, install first row of shingles with notch flush with drip edge.



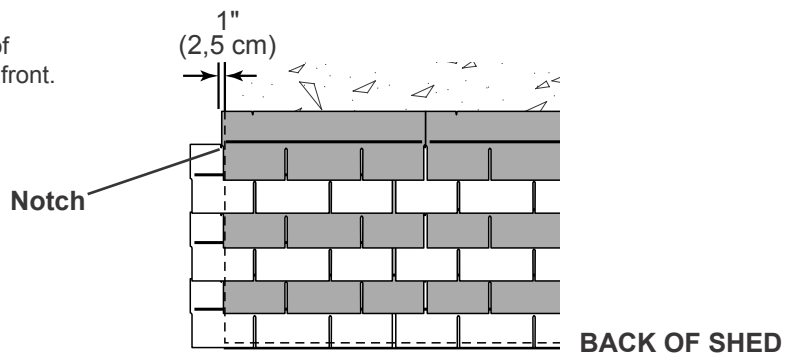
SHINGLES

continued...

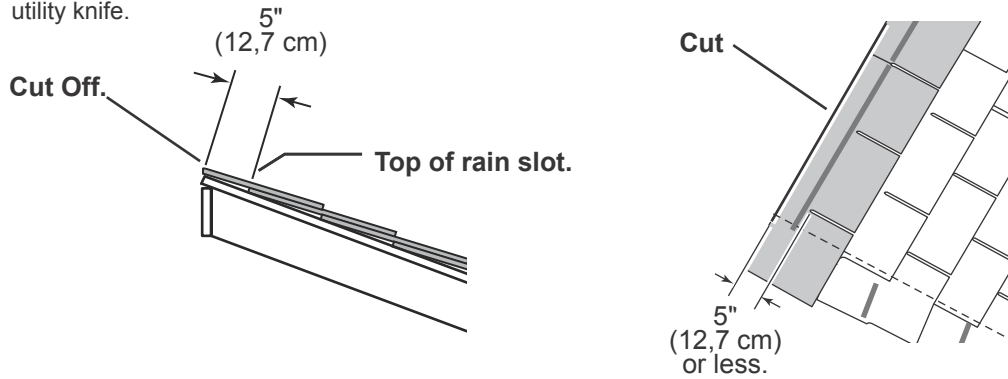
- 3** Install second row of shingles flush at top of first row's rain slots. Ensure flush to drip edge at front side, stagger each row.



- 4** Continue installing rows of shingles by staggering at front.

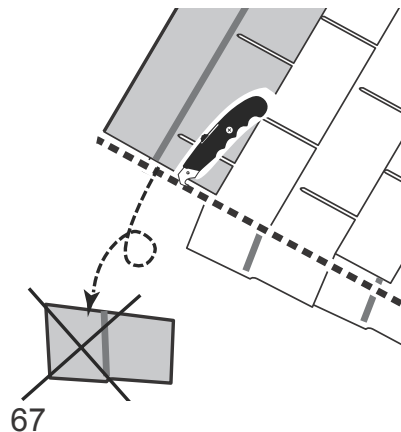


- 5** Continue installing rows of shingles to the front of the shed. At the front edge of the shed make sure there is a maximum of 5" or less to the rain slot, as shown below. If shingles overlap at front roof edge cut to roof edge with a utility knife.



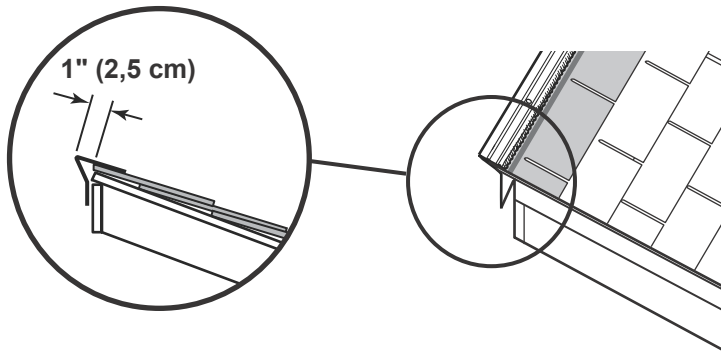
- !** • If more than 5" to rain slot you must install another row of shingles.

- 6** Using your shingle hooked blade carefully cut shingles along chalk line.

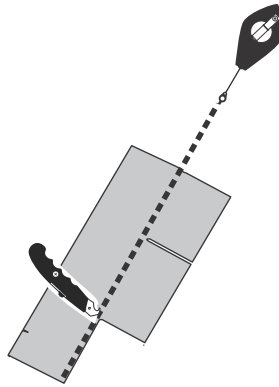


SHINGLES - DRIP EDGE

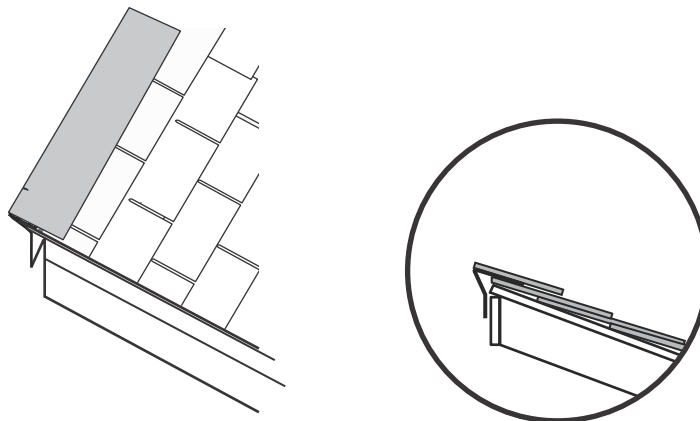
- 7 Install drip edge over top shingle row with 1" overhang over roof edge.



- 8 Using your shingle hooked blade carefully cut shingles on a flat surface along the rain slots, using a chalk line for reference.



- 9 Align remaining shingles with edge of the front drip edge.



- 10 You have finished shingling your roof.

WARRANTY REGISTRATION

Please complete your warranty registration to properly validate your warranty.

Register your product online at: www.OnlineWarranty.net

LIMITED CONDITIONAL WARRANTY*

Backyard Storage Solutions, LLC warrants the following:

1. Every product is warranted from defects in workmanship and manufacturing for 1 year.
2. All accessories, hardware and metal components are warranted for 2 years.
3. All Oriented Strand Board (OSB) is warranted for 2 years
4. Siding and Trim is warranted for:
10 years: Value Series / Solar Shed
12 years: Classic Series / Architectural Series
15 years: Big Buildings
5. Solar Shed windows are warranted for 1 year.
6. Cedar lumber is warranted for 15 years.
7. Preserved Pine is warranted for 10 years.

Backyard Storage Solutions, LLC will repair, replace or pay for the affected part. In no event shall Backyard Storage Solutions, LLC pay the cost of labor or installation or any other costs related thereto. All warranties are from date of purchase. If a cash refund is paid on an affected part, it will be prorated from the date of purchase.

CONDITIONS

The warranty is effective only when:

1. The unit has been erected in accordance with the assembly instructions.
2. The unit has been properly shingled and painted or stained and reasonably and regularly maintained thereafter.
3. The failure occurs when the unit is owned by the original purchaser.
4. Backyard Storage Solutions, LLC has received the warranty registration card within thirty (30) days of purchase and notification of the failure in writing within the warranty period specified above.
5. Backyard Storage Solutions, LLC has had reasonable opportunity during the sixty (60) days following receipt of notification to inspect and verify the failure prior to commencement of any repair work.

REQUIREMENTS

Storage Buildings

To validate your warranty, it is necessary to properly maintain your Backyard Storage Solutions, LLC unit; shingle the roof and paint or solid-colored stain the siding using quality, 100% acrylic latex exterior product with a minimum of two (2) coats within thirty (30) days of assembly; caulk above all doors and all horizontal and vertical trim boards; paint and seal all exposed edges, sides and faces of siding/trim and OSB siding to include all exterior walls and all sides and all edges of doors.

Gazebos & Pergolas

To validate your warranty, it is necessary to properly maintain your Backyard Storage Solutions, LLC unit. This includes treating all of the exposed cedar and pine surfaces on your gazebo or pergola structure with an exterior grade wood preservative, an exterior oil-based semi-transparent stain, an acrylic latex exterior paint or an acrylic latex solid color exterior stain within 30 days of assembly and as needed thereafter to maintain your warranty.

Keep vegetation trimmed away from building and make sure siding panels and trim do not come in contact with masonry or cement. The minimum ground clearance for siding must be one half inch (½ inch) from concrete slab or two and one half inches (2 ½") from the ground when building is erected or constructed on a treated wood floor kit. Water from sprinklers must be kept off unit. In no event will Backyard Storage Solutions, LLC be responsible for any indirect, incidental, consequential or special damages nor for failure(s) that are caused by events, acts or omissions beyond our control including, but not limited to, misuse or improper assembly, improper maintenance (which eventually leads to rot or decay) and acts of God. Backyard Storage Solutions, LLC will not be held responsible for any labor costs incurred to construct your unit.

This warranty gives you certain specific rights that vary from state to state.

CLAIM PROCEDURE

To make a claim under this warranty, you can either call 1-888-827-9056 or email: customerservice@backyardproducts.com.

Please have ready the information below when you call or include the information in your email:

1. The model and size of the product.
2. A list of the part(s) for which the claim is made.
3. Proof of purchase of the Backyard Storage Solutions, LLC item, as shown on the original invoice.
4. Run code: found on exterior product label or assembly instructions enclosed in the product package.

All other inquiries can be mailed to:

Backyard Storage Solutions, LLC
Attn: Customer Service
1000 Ternes
Monroe, MI 48162

***WARRANTY TERMS MAY VARY OUTSIDE THE U.S.A.**

IMPORTANT: This is your warranty certificate.

LDR: 1/18/2016