



# Artifacts<sup>®</sup> with Flume design | K-72761

Bathroom sink faucet spout with Flume design, 1.2 gpm

## Features

- Includes open flume spout and metal touch-activated drain
- Handles sold separately
- Coordinate with Artifacts faucets, accessories, and showering components to complete your bathroom
- This product can help a building earn Water Efficiency points in LEED<sup>®</sup> Green Building Rating System



## Sustainability



## Available Colors/Finishes

*Color tiles intended for reference only.*

- CP Polished Chrome
- SN Vibrant Polished Nickel
- AF Vibrant French Gold
- BN Vibrant Brushed Nickel
- BV Vibrant Brushed Bronze
- BL Matte Black
- 2MB Vibrant Brushed Moderne Brass
- TT Vibrant Titanium



1-800-4KOHLER (1-800-456-4537)  
Kohler Co. reserves the right to make revisions without notice to product specifications.  
For the most current specification sheet, go to [www.kohler.com](http://www.kohler.com) USA or [www.kohler.ca](http://www.kohler.ca) Canada.  
3-27-2026 17:10 - US-CA

THE BOLD LOOK  
OF **KOHLER**

---

## Codes/Standards



ASME A112.18.1/CSA B125.1  
NSF/ANSI/CAN 372  
NSF/ANSI/CAN 61  
DOE - Energy Policy Act 1992  
EPA WaterSense®  
California Energy Commission (CEC)  
NSF/ANSI/CAN 61|NSF/ANSI/CAN 372

## Warranty

See website for detailed warranty information.

KOHLER® Faucet Lifetime Limited Warranty

---

## Technical Information

*All product dimensions are nominal.*

### Spout

Spout Reach: 6-1/16" (154 mm)

### Flow Rate

Faucet Flow Rate: 1.2 gpm (4.5 l/min)

---

## Valves

Required Valve: Thermostatic Mixer

---

## Material

- Brass
- KOHLER finishes resist corrosion and tarnishing

---

## Recommended Products/Accessories

K-23726 Drain treatment

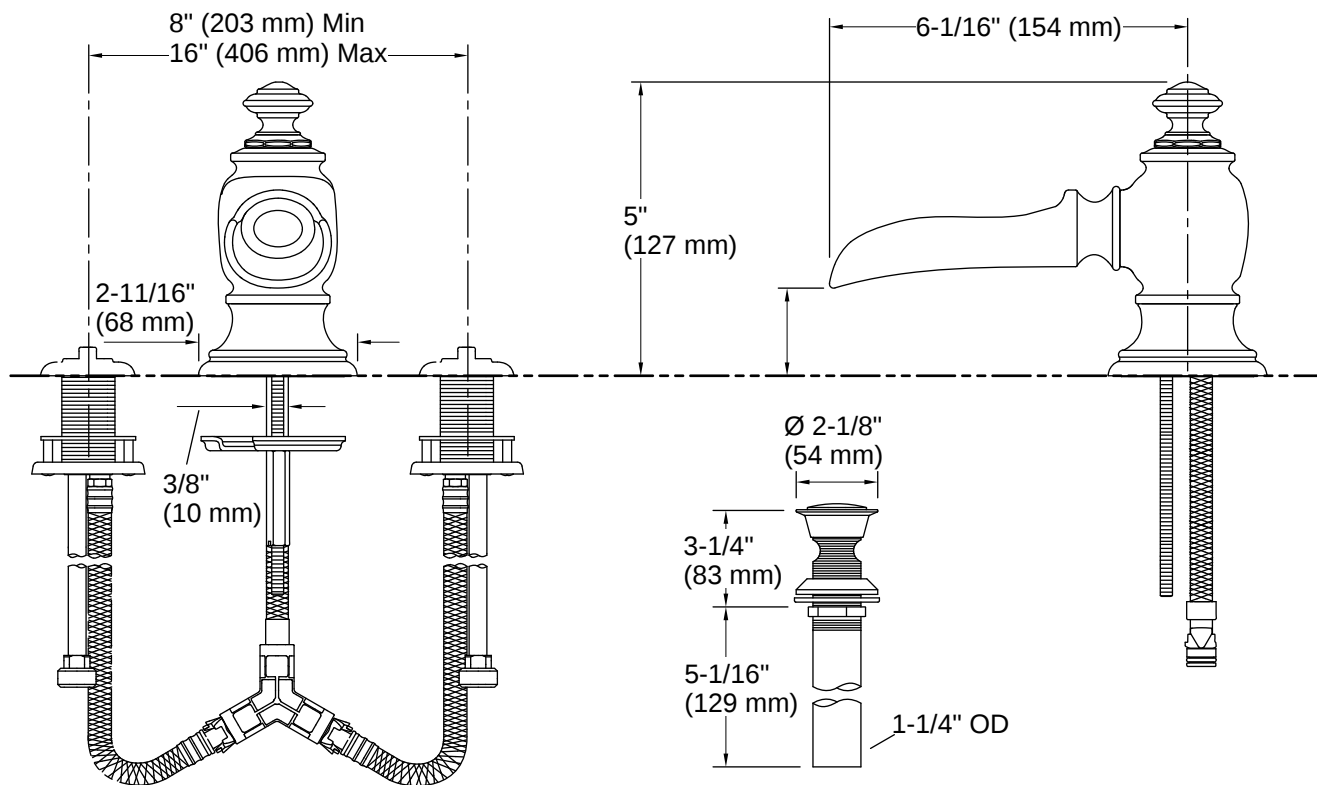
K-23723 Faucet cleaner

K-72571 Towel ring

K-72572 Double robe hook

K-72573 Pivoting toilet paper holder





## Installation

- Bath- or deck-mount
- Quick-connect fittings make installation easy

## Installation Notes

*Install this product according to the installation instructions.*

