

**RX Series 84 in. 16 Drawer Powder-Coated Steel
Roller Cabinet with Power Tool Drawer**

Model:

RXQ843016RC

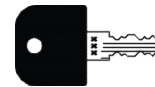
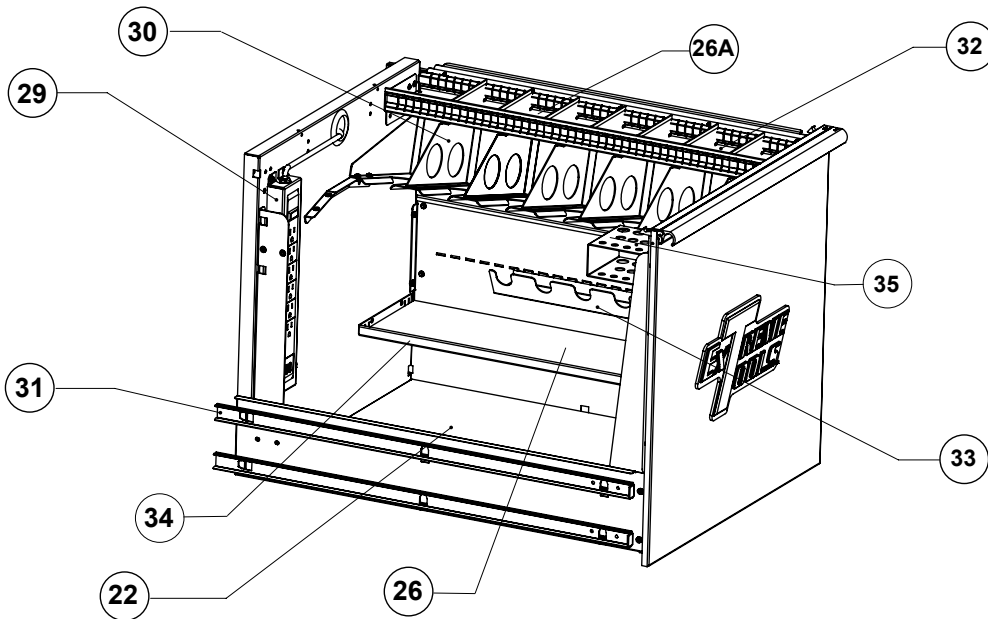
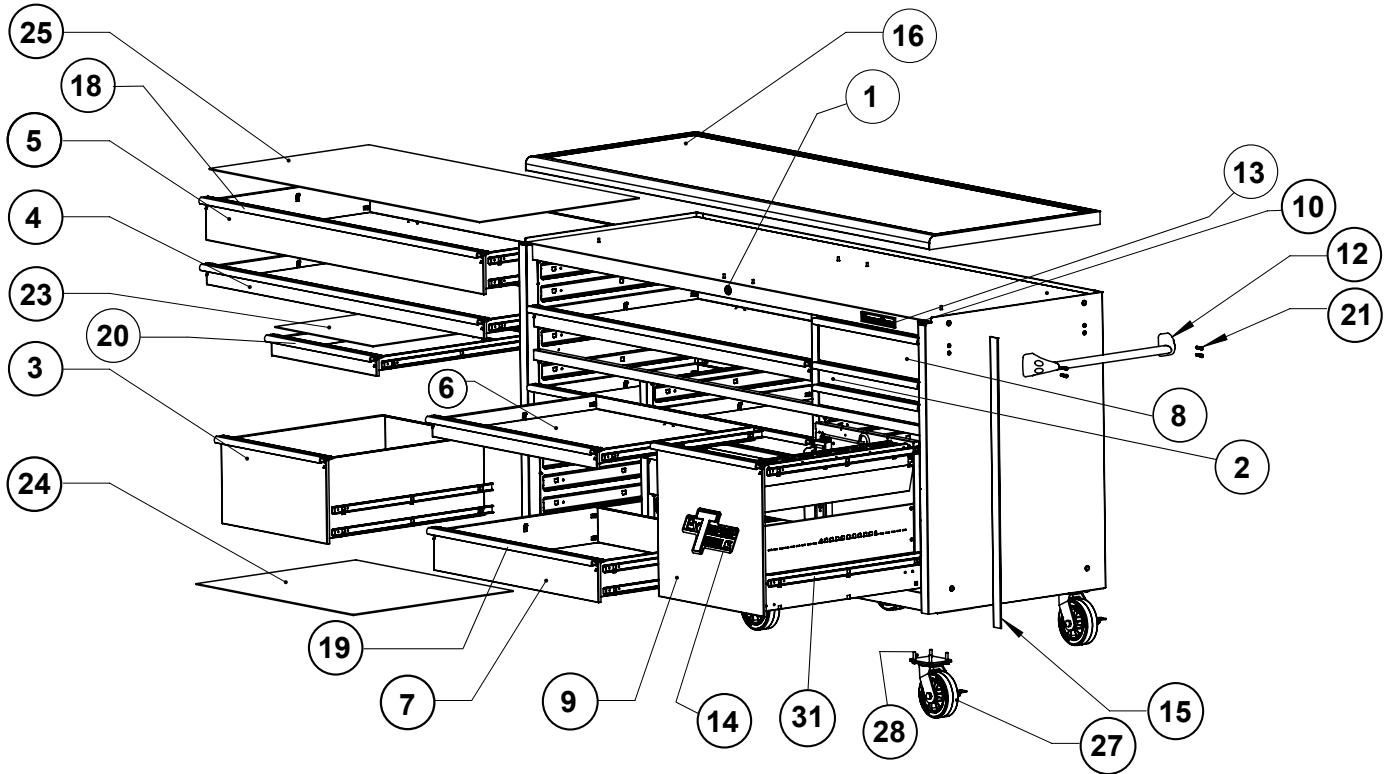
**84 in. W x 30 in. D x 47 in. H
250 lbs. Slides**

Extreme Tools, Inc.
740 Frontenac Road
Naperville, Illinois 60563
630.369.9303
www.ExtremeTools.net

RXQ843016RC

Roller Cabinet Parts List

250 lbs. Slides



Replacement keys may be ordered using the code that appears on the face of the lock.

To order replacement parts, have the part number, tool box color and quantity ready.

If under warranty, the serial number is **REQUIRED** to get replacement parts.

Not all parts are available under warranty and may be purchased separately.

RXQ843016RC PARTS LIST

Item	Part number	Descriptions	Qty
1	Z-LK EX01-04	EX01-EX04 Mix lock sets	1
2	ZDRRX553F1QYKR	RXQ8430RC Drawer 553 mm Wide, 250 Lb Slides, Single Deep, Black with Red Drawer Pulls	5
2	ZDRRX553F1QYKU	RXQ8430RC Drawer 553 mm Wide, 250 Lb Slides, Single Deep, Black with Blue Drawer Pulls	5
2	ZDRRX553F1QYGK	RXQ8430RC Drawer 553 mm Wide, 250 Lb Slides, Single Deep, Green with Black Drawer Pulls	5
2	ZDRRX553F1QYMK	RXQ8430RC Drawer 553 mm Wide, 250 Lb Slides, Single Deep, Matte Black with Black Drawer Pulls	5
2	ZDRRX553F1QYOK	RXQ8430RC Drawer 553 mm Wide, 250 Lb Slides, Single Deep, Orange with Black Drawer Pulls	5
2	ZDRRX553F1QYUK	RXQ8430RC Drawer 553 mm Wide, 250 Lb Slides, Single Deep, Blue with Black Drawer Pulls	5
3	ZDRRX553F4QYKR	RXQ8430RC Drawer 553 mm Wide, 250 Lb Slides, Quadruple Deep, Black with Red Drawer Pulls	1
3	ZDRRX553F4QYKU	RXQ8430RC Drawer 553 mm Wide, 250 Lb Slides, Quadruple Deep, Black with Blue Drawer Pulls	1
3	ZDRRX553F4QYGK	RXQ8430RC Drawer 553 mm Wide, 250 Lb Slides, Quadruple Deep, Green with Black Drawer Pulls	1
3	ZDRRX553F4QYMK	RXQ8430RC Drawer 553 mm Wide, 250 Lb Slides, Quadruple Deep, Matte Black with Black Drawer Pulls	1
3	ZDRRX553F4QYOK	RXQ8430RC Drawer 553 mm Wide, 250 Lb Slides, Quadruple Deep, Orange with Black Drawer Pulls	1
3	ZDRRX553F4QYUK	RXQ8430RC Drawer 553 mm Wide, 250 Lb Slides, Quadruple Deep, Blue with Black Drawer Pulls	1
4	ZDRRX1459F1QYKR	RXQ8430RC Drawer 1459 mm Wide, 250 Lb Slides, Single Deep, Black with Red Drawer Pulls	2
4	ZDRRX1459F1QYKU	RXQ8430RC Drawer 1459 mm Wide, 250 Lb Slides, Single Deep, Black with Blue Drawer Pulls	2
4	ZDRRX1459F1QYGK	RXQ8430RC Drawer 1459 mm Wide, 250 Lb Slides, Single Deep, Green with Black Drawer Pulls	2
4	ZDRRX1459F1QYMK	RXQ8430RC Drawer 1459 mm Wide, 250 Lb Slides, Single Deep, Matte Black with Black Drawer Pulls	2
4	ZDRRX1459F1QYOK	RXQ8430RC Drawer 1459 mm Wide, 250 Lb Slides, Single Deep, Orange with Black Drawer Pulls	2
4	ZDRRX1459F1QYUK	RXQ8430RC Drawer 1459 mm Wide, 250 Lb Slides, Single Deep, Blue with Black Drawer Pulls	2
5	ZDRRX1459F2QYKR	RXQ8430RC Drawer 1459 mm Wide, 250 Lb Slides, Double Deep, Black with Red Drawer Pulls	1
5	ZDRRX1459F2QYKU	RXQ8430RC Drawer 1459 mm Wide, 250 Lb Slides, Double Deep, Black with Blue Drawer Pulls	1
5	ZDRRX1459F2QYGK	RXQ8430RC Drawer 1459 mm Wide, 250 Lb Slides, Double Deep, Green with Black Drawer Pulls	1
5	ZDRRX1459F2QYMK	RXQ8430RC Drawer 1459 mm Wide, 250 Lb Slides, Double Deep, Matte Black with Black Drawer Pulls	1
5	ZDRRX1459F2QYOK	RXQ8430RC Drawer 1459 mm Wide, 250 Lb Slides, Double Deep, Orange with Black Drawer Pulls	1
5	ZDRRX1459F2QYUK	RXQ8430RC Drawer 1459 mm Wide, 250 Lb Slides, Double Deep, Blue with Black Drawer Pulls	1
6	ZDRRX865F1QYKR	RXQ8430RC Drawer 865 mm Wide, 250 Lb Slides, Single Deep, Black with Red Drawer Pulls	3
6	ZDRRX865F1QYKU	RXQ8430RC Drawer 865 mm Wide, 250 Lb Slides, Single Deep, Black with Blue Drawer Pulls	3
6	ZDRRX865F1QYGK	RXQ8430RC Drawer 865 mm Wide, 250 Lb Slides, Single Deep, Green with Black Drawer Pulls	3
6	ZDRRX865F1QYMK	RXQ8430RC Drawer 865 mm Wide, 250 Lb Slides, Single Deep, Matte Black with Black Drawer Pulls	3
6	ZDRRX865F1QYOK	RXQ8430RC Drawer 865 mm Wide, 250 Lb Slides, Single Deep, Orange with Black Drawer Pulls	3
6	ZDRRX865F1QYUK	RXQ8430RC Drawer 865 mm Wide, 250 Lb Slides, Single Deep, Blue with Black Drawer Pulls	3
7	ZDRRX865F2QYKR	RXQ8430RC Drawer 865 mm Wide, 250 Lb Slides, Double Deep, Black with Red Drawer Pulls	2
7	ZDRRX865F2QYKU	RXQ8430RC Drawer 865 mm Wide, 250 Lb Slides, Double Deep, Black with Blue Drawer Pulls	2
7	ZDRRX865F2QYGK	RXQ8430RC Drawer 865 mm Wide, 250 Lb Slides, Double Deep, Green with Black Drawer Pulls	2
7	ZDRRX865F2QYMK	RXQ8430RC Drawer 865 mm Wide, 250 Lb Slides, Double Deep, Matte Black with Black Drawer Pulls	2
7	ZDRRX865F2QYOK	RXQ8430RC Drawer 865 mm Wide, 250 Lb Slides, Double Deep, Orange with Black Drawer Pulls	2
7	ZDRRX865F2QYUK	RXQ8430RC Drawer 865 mm Wide, 250 Lb Slides, Double Deep, Blue with Black Drawer Pulls	2
8	ZDRRX553F2QYKR	RXQ8430RC Drawer 553 mm Wide, 250 Lb Slides, Double Deep, Black with Red Drawer Pulls	1
8	ZDRRX553F2QYKU	RXQ8430RC Drawer 553 mm Wide, 250 Lb Slides, Double Deep, Black with Blue Drawer Pulls	1
8	ZDRRX553F2QYGK	RXQ8430RC Drawer 553 mm Wide, 250 Lb Slides, Double Deep, Green with Black Drawer Pulls	1
8	ZDRRX553F2QYMK	RXQ8430RC Drawer 553 mm Wide, 250 Lb Slides, Double Deep, Matte Black with Black Drawer Pulls	1
8	ZDRRX553F2QYOK	RXQ8430RC Drawer 553 mm Wide, 250 Lb Slides, Double Deep, Orange with Black Drawer Pulls	1
8	ZDRRX553F2QYUK	RXQ8430RC Drawer 553 mm Wide, 250 Lb Slides, Double Deep, Blue with Black Drawer Pulls	1

RXQ843016RC PARTS LIST continued

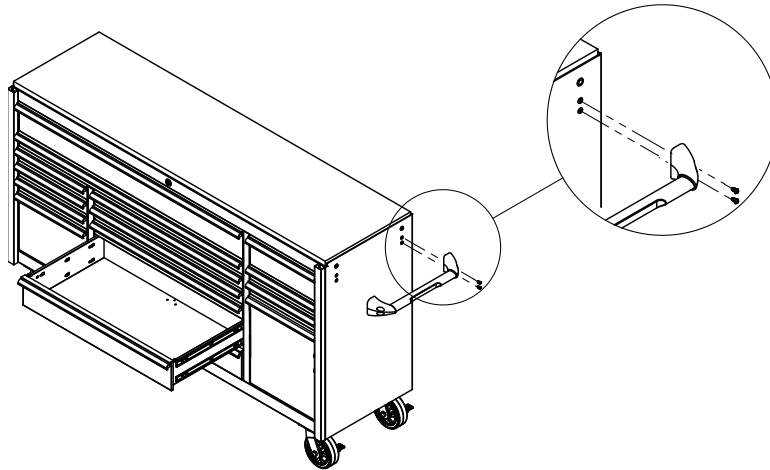
Item	Part number	Descriptions	Qty
9	ZDRRX553F7QYKR	RXQ8430RC Drawer 553 mm Wide, 250 Lb Slides, Power Tool, Black with Red Drawer Pulls	1
9	ZDRRX553F7QYKU	RXQ8430RC Drawer 553 mm Wide, 250 Lb Slides, Power Tool, Black with Blue Drawer Pulls	1
9	ZDRRX553F7QYGK	RXQ8430RC Drawer 553 mm Wide, 250 Lb Slides, Power Tool, Green with Black Drawer Pulls	1
9	ZDRRX553F7QYMK	RXQ8430RC Drawer 553 mm Wide, 250 Lb Slides, Power Tool, Matte Black with Black Drawer Pulls	1
9	ZDRRX553F7QYOK	RXQ8430RC Drawer 553 mm Wide, 250 Lb Slides, Power Tool, Orange with Black Drawer Pulls	1
9	ZDRRX553F7QYUK	RXQ8430RC Drawer 553 mm Wide, 250 Lb Slides, Power Tool, Blue with Black Drawer Pulls	1
10	ZECRX	RX Plastic End Caps for Vertical Trim Black	2
12	ZHDE606OZK	RXQ843016RC Side Push Handle Oval, 606mm, Zinc, Black (237/8"MHD)	1
12	ZHDE606OZU	RXQ843016RC Side Push Handle Oval, 606mm, Zinc, Blue (237/8"MHD)	1
12	ZHDE606OZR	RXQ843016RC Side Push Handle Oval, 606mm, Zinc, Red (237/8"MHD)	1
13	Z-LGS	Extreme Tools Nameplate (small name plates)	1
14	Z-LGL	Extreme Tools Logo (large nameplate)	1
15	ZTRR979R	RXQ8430RC Vertical Side Trim, 979 mm, Polished Anodized Red	2
15	ZTRR979U	RXQ8430RC Vertical Side Trim, 979 mm, Polished Anodized Blue	2
15	ZTRR979R	RXQ8430RC Vertical Side Trim, 979 mm, Polished Anodized Red	2
16	ZSST2122X727X25	SS 304 top for RXQ8430RC, 25 mm, 1 mm material	1
18	ZDPRX1458R	RXQ843016RC Quick Release Drawer Pull, F Shape 1458 mm, Polished Anodized Red	3
18	ZDPRX1458U	RXQ843016RC Quick Release Drawer Pull, F Shape 1458 mm, Polished Anodized Blue	3
18	ZDPRX1458K	RXQ843016RC Quick Release Drawer Pull, F Shape 1458 mm, Polished Anodized Black	3
19	ZDPRX864R	RXQ843016RC Quick Release Drawer Pull, F Shape 864 mm, Polished Anodized Red	5
19	ZDPRX864U	RXQ843016RC Quick Release Drawer Pull, F Shape 864 mm, Polished Anodized Blue	5
19	ZDPRX864K	RXQ843016RC Quick Release Drawer Pull, F Shape 864 mm, Polished Anodized Black	5
20	ZDPRX552R	RXQ843016RC Quick Release Drawer Pull, F Shape 552 mm, Polished Anodized Red	8
20	ZDPRX552U	RXQ843016RC Quick Release Drawer Pull, F Shape 552 mm, Polished Anodized Blue	8
20	ZDPRX552K	RXQ843016RC Quick Release Drawer Pull, F Shape 552 mm, Polished Anodized Black	8
21	ZM6SCSH-35	Socket head screws, M6, 35 mm long, for GW style side push handle	4
22	ZDL508X660 PVC	Drawer liner, Power tool drawer, 508x660, PVC, Black	1
23	ZDL514X687 PVC	Drawer liner, small, 514x687, PVC, Black	7
24	ZDL828X687 PVC	Drawer liner, med, 828x687, PVC, Black	5
25	ZDL1419X687 PVC	Drawer liner, large, 1419x687, PVC, Black	3
26	ZDL171X648 PVC	Drawer liner, Power tool drawer shelf, 171x648, PVC, Black	1
26A	ZDL106X648 PVC	Drawer liner, Power tool drawer part tray, 106x648, PVC, Black	1
26B	Z-DLRXQ843016RC-Kit	Liner kit, 3 large, 5 med, 7 small & 3 special one for PT (For re-order purpose)	1 set
27	ZCA62MS	6X2" Mag Wheel Swivel Caster with Brake, 900 Lb Rating	4
27A	ZCA62MR	6X2" Mag Wheel Rigid Caster, 900 Lb Rating	2
28	ZM10BTSR-25	M10 Serrated head hex bolts	24
29	ZPS12X2X1USB2	Power strip with 6 outlets and 2 USB ports, 21A	1
30	ZPTH7R30	New power tool holder, 7 slots, for RX30" deep power tool drawer	1
31	ZSLY695E686	Slide set for RXQ8430RC, 250 lbs, Marking: SW-250LB-2756B	22 sets
Not Shown	Z-DT250LB	Detents for 250 Lb slides (come with slides)	44
32	ZTRR30	Part tray for RX30" deep power tool drawer, with 6 dividers	1
33	ZHH	Hand tool holder, for power tool holder, removable	1
34	ZSFR30	Shelf for RX30" deep power tool drawer, removable	1
35	ACPTEHBL	Power tool extension holder	1

ASSEMBLY

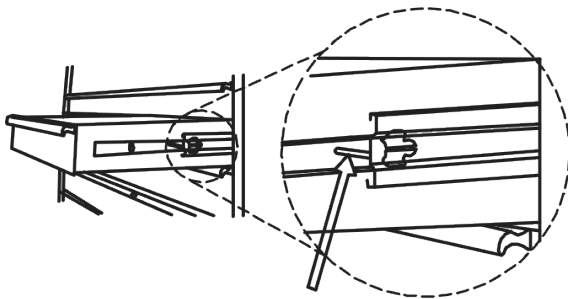
Handle Installation

NOTE: Assemble the handle first to make it easier to move the tool cabinet.

Position the handle over the holes in the cabinet and attach with the provided (4) M6-1.0 x 30 socket head screws. Tighten securely.



OPERATING PROCEDURE

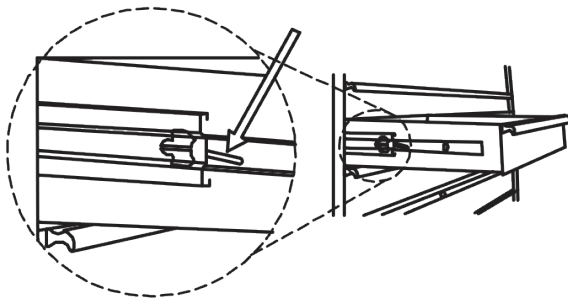


Drawer Removal

Pull drawer out so that it is almost fully extended.

Push up on the black lever on one drawer slide and at the same time push down on the lever on the other side.

With the levers in these positions, pull the drawer out until it releases from the drawer slides.



Drawer Replacement

Extend the drawer slides.

Careful align the brackets on the sides of the drawers with the slots of the cabinet slides. Insert the brackets on the side of each drawer into the slots of the cabinet slides.

Once properly inserted, completely close the drawer to set the slides into their properly functioning positions.

MAINTENANCE

Lubricate the casters once a year with high quality ball bearing grease.

Lubricate the slides twice a year with high quality, petroleum-based lubricant. This may be required more often if operating the tool box in colder climates.

Use mild detergent or car wash soap and water to clean drawer fronts, drawer trim and other surfaces.

Grease and oil can be removed with standard, non-abrasive, non-flammable mild detergent or car wash soap.

Use auto wax on the tool box to help preserve the unit's high gloss finish. Follow product directions.

SAFETY

WARNING

Do not attempt to lift the cabinet by its side handle using chains, ropes or lifting device. Side handle may fail resulting in personal injury or damage to the product!

Use a forklift or similar lifting device with forks placed under the bottom of the tool box to move if tool box cannot be moved by two people.

Close the drawers and lock the tool box before moving this product! If drawers are not locked they could open and make the product unstable and tip which may cause personal injury or damage to the product.

Do NOT stand on this product or lean on the drawer or work top.

Wear safety glasses when removing or repositioning the slides. The tool box could slip resulting in personal injury.

Do NOT mount this product on a truck bed or other moving object. This may cause personal injury or product damage. Mounting this product on any surface will void the warranty.

Do NOT tow with power equipment. The product could tip which may cause personal injury or product damage.

Do NOT alter this product in any manner or attach electrical equipment. This may cause personal injury or product damage and will void the warranty.

If using the combination top chest and roller cabinet, the top chest **MUST** be secured to the roller cabinet by following the directions provided. Not securing the top chest to the roller cabinet may cause the product to become unstable which may cause personal injury or damage to the product.

CAUTION - IMPORTANT PRODUCT INFORMATION

DRAWERS MUST BE CLOSED AND TOOL BOX LOCKED USING KEYS BEFORE MOVING!

The maximum weight for each drawer should not exceed 250 lbs. (113 kg) for single slides and 500 lbs. (226 kg) for drawers with double slides. Maximum overall weight should not exceed 3,600 lbs. (1,632 kg.)

Use caution when closing the chest lid. Remove hands from the area before closing to prevent personal injury.

Do NOT pull this product. Push the product to prevent personal injury.

ENGAGE THE BRAKES when not moving this product. Locked casters prevent the product from rolling which may result in personal injury or damage to the product.

This product may become unstable and tip if more than one drawer is open at a time. To prevent personal injury or damage to product, **OPEN ONLY ONE DRAWER AT A TIME.**

Lock product and properly secure before moving with a forklift or other device.

Keep the product on a level surface. The product could become unstable and tip if stored or moved on an uneven surface which may result in personal injury or product damage.

Remove the work surface from the roller cabinet before installing top chest.