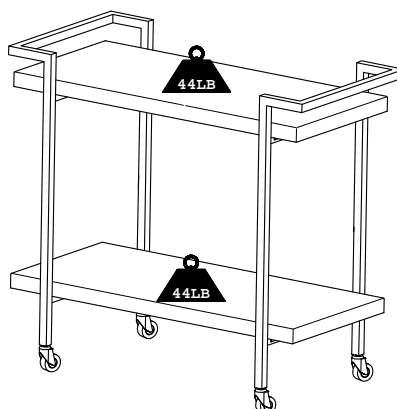




Printer Cart

SKU: NAN-JH-17107-GY-MS
SKU: NAN-JH-17107-WH-GLD-MS
SKU: NAN-JH-17107-BR-GLD-MS



ASSEMBLY INSTRUCTIONS

Before You Begin:

Please identify all component parts and hardware pieces required before you begin. Carefully remove all of the components from the packaging and set aside for assembly. Assemble on a soft surface to prevent scratching during assembly.

Caution:

Tighten all components securely before use. Failure to do so may result in personal injury. DO NOT use any sharp objects to open plastic wrapped components as damage to product or components may result.

Warning:

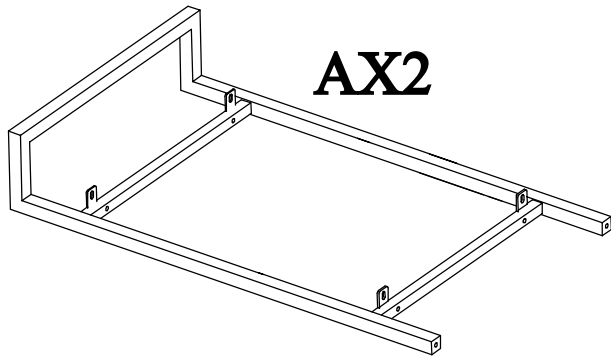
CHOKING HAZARD - Small Parts. Adult Assembly Required.

DO NOT ALLOW CHILDREN TO CLIMB ON FURNITURE

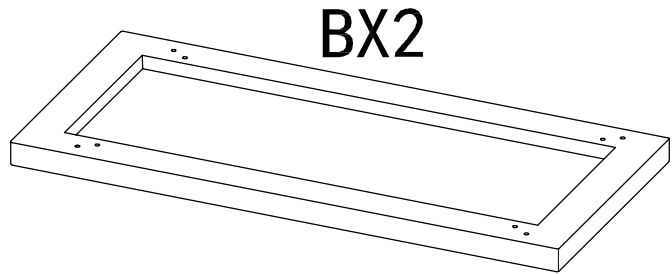
Serious or fatal injuries can occur from furniture tipping over. You must install Tipping Restraint Hardware (where included) to help prevent the unit from tipping and causing accidental injury, instability, death or damage. The tipping restraint is intended only as a safety measure, it is not a substitute for proper adult supervision.

To help prevent furniture from tipping over it must be permanently attached to the wall. Anti-Tip Safety Wall Straps suitable for the unit weight and wall materials (if not included) should be purchased and installed.

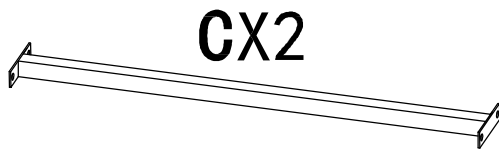
.....
Customer Service Email: CustomerExperience@theubiquegroup.com | Phone: 866-552-2810









AX2



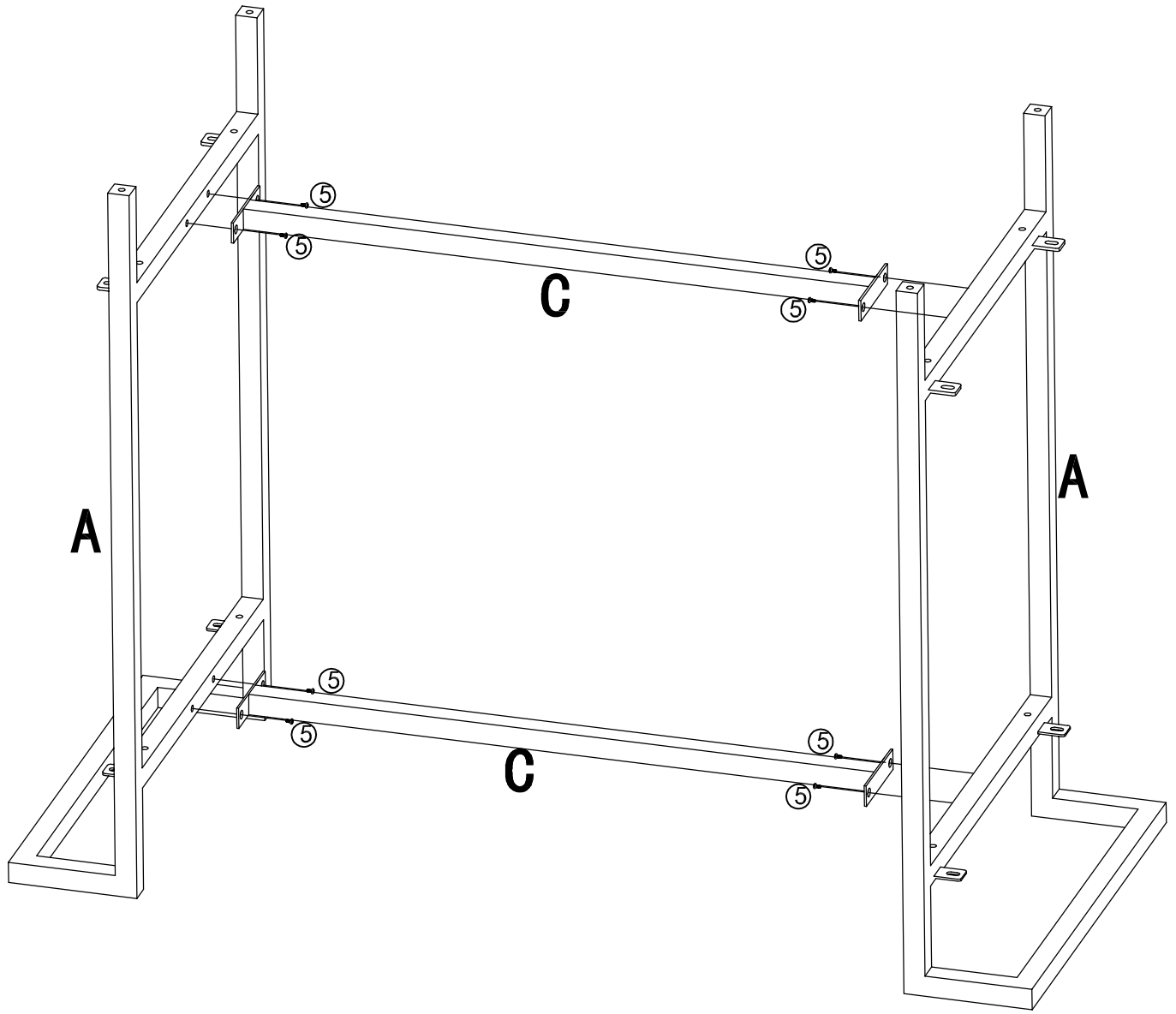
BX2



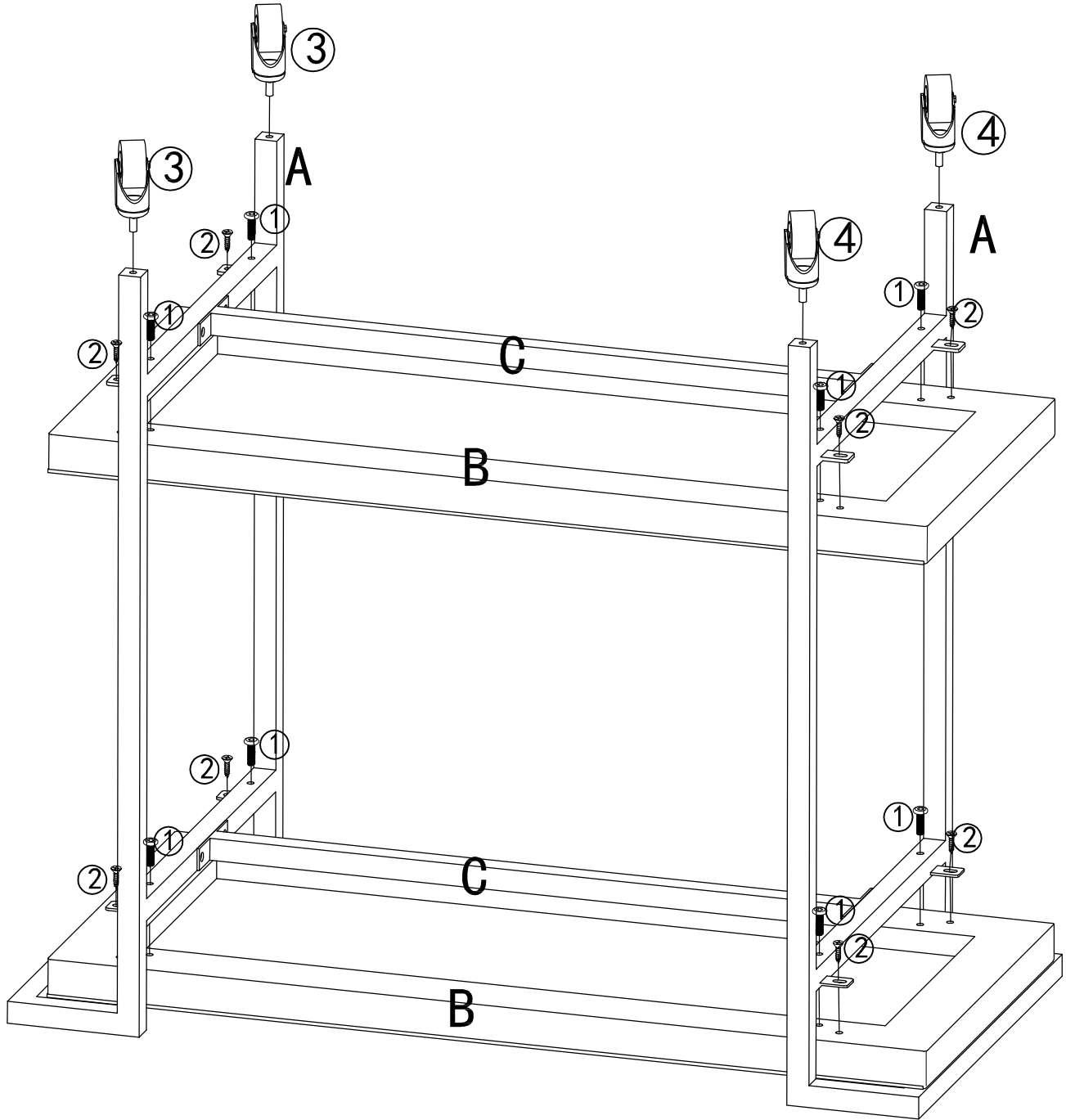
CX2

<p>①</p>  <p>M6X25 8PCS</p>	<p>②</p>  <p>M5X16 8PCS</p>
<p>③</p>  <p>2PCS</p>	<p>④</p>  <p>2PCS</p>
<p>⑤</p>  <p>M6X12 8PCS</p>	

STEP 1



STEP 2



Quality and Safety Guidelines:

- Please follow the static and dynamic weight capacity limits provided on this item. If you are unsure of the weight capacities for this product, email us at customerexperience@theubiquegroup.com or call 866-552-2810.
- Please use this item on a stable, level surface only. All table wheels should contact the flooring surface when in use. Do not use this item if any instability is detected. When table is stationary, lock the wheels.
- Please use anti-tipping devices if they are provided.
- For maintenance instructions and replacement parts, please email us at customerexperience@theubiquegroup.com or call 866-552-2810.
- This item is intended as a table and shelving only, do not climb, stand or sit on this item.
- The item is intended to be used indoors.
- For product longevity, product safety and product integrity, protect from wet or humid weather and store indoors in a dry location. For additional storage instructions, please email us at customerexperience@theubiquegroup.com or call 866-552-2810.
- Please visit www.theubiquegroup.com for our product warranty details or email us at customerexperience@theubiquegroup.com or call 866-552-2810.