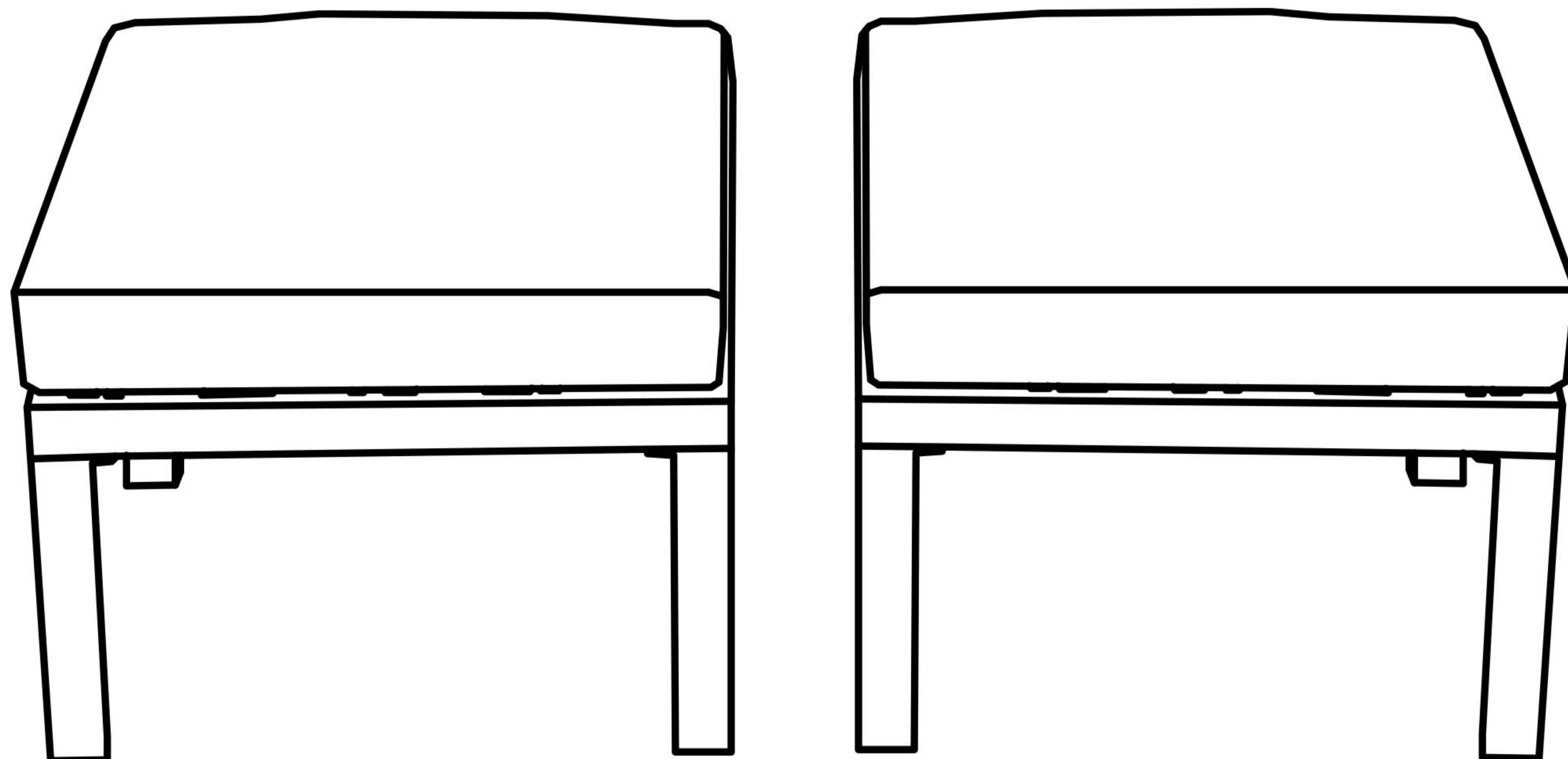


# ASSEMBLY INSTRUCTIONS



Please check the number of parts in the following accessory catalogue when unpacking. We have sent you more small parts for spare. If there is any missing or any questions about the installation. Please feel free to contact us. We will reply within 24 hours.

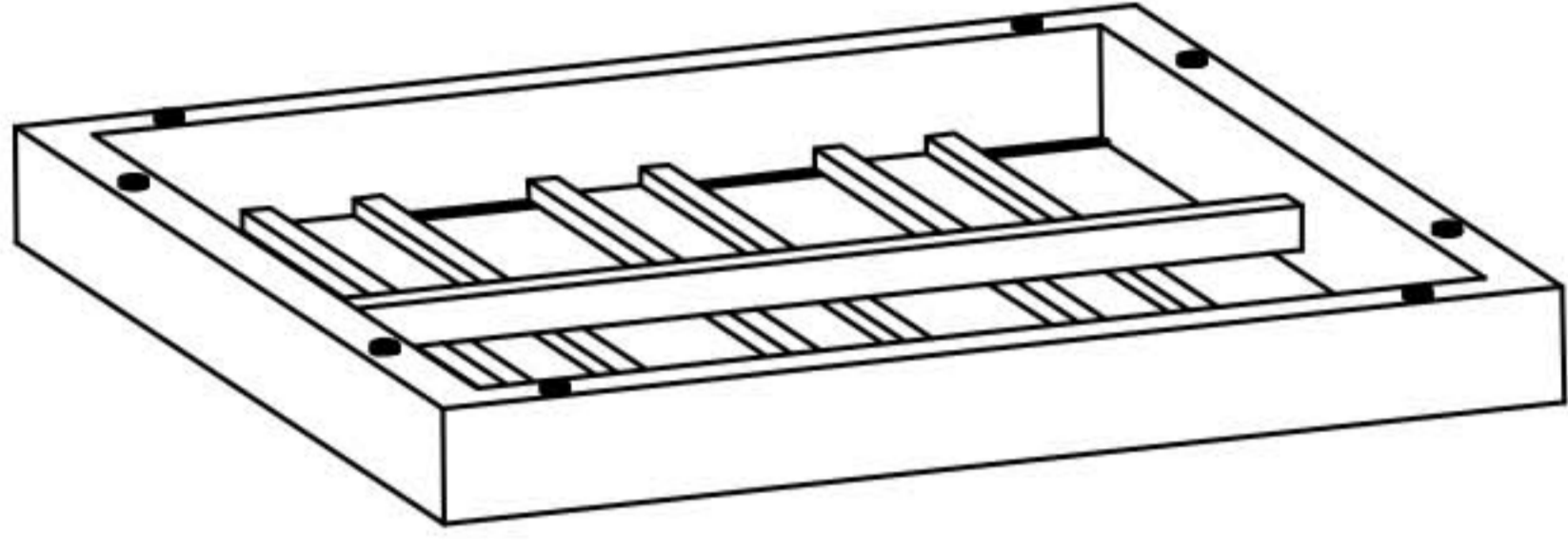
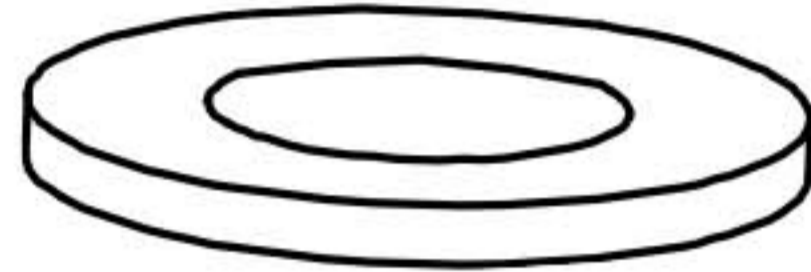
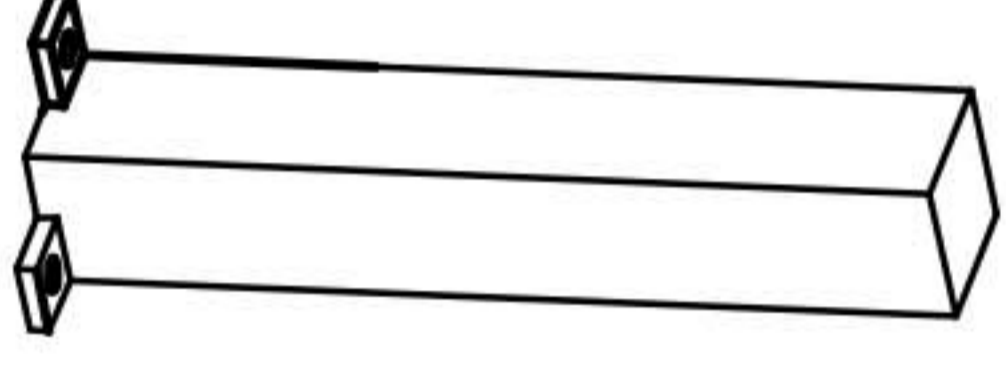
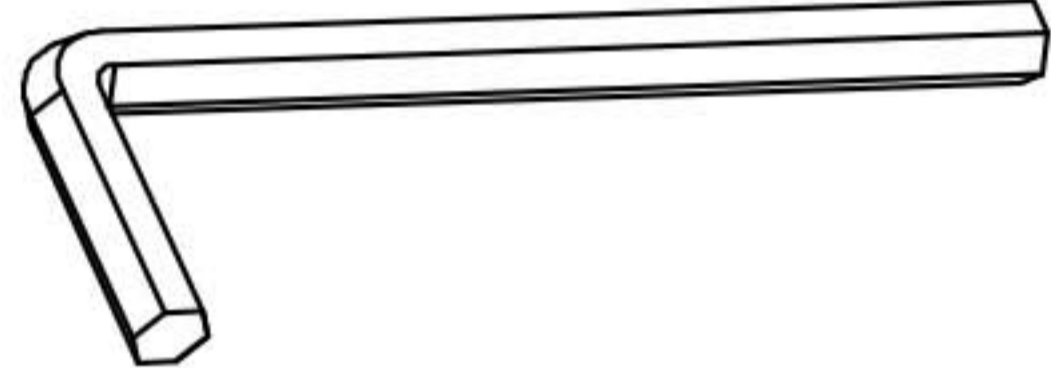
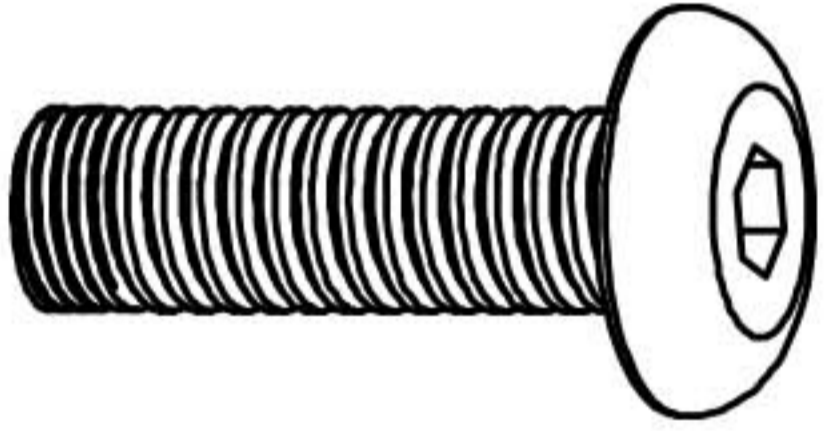


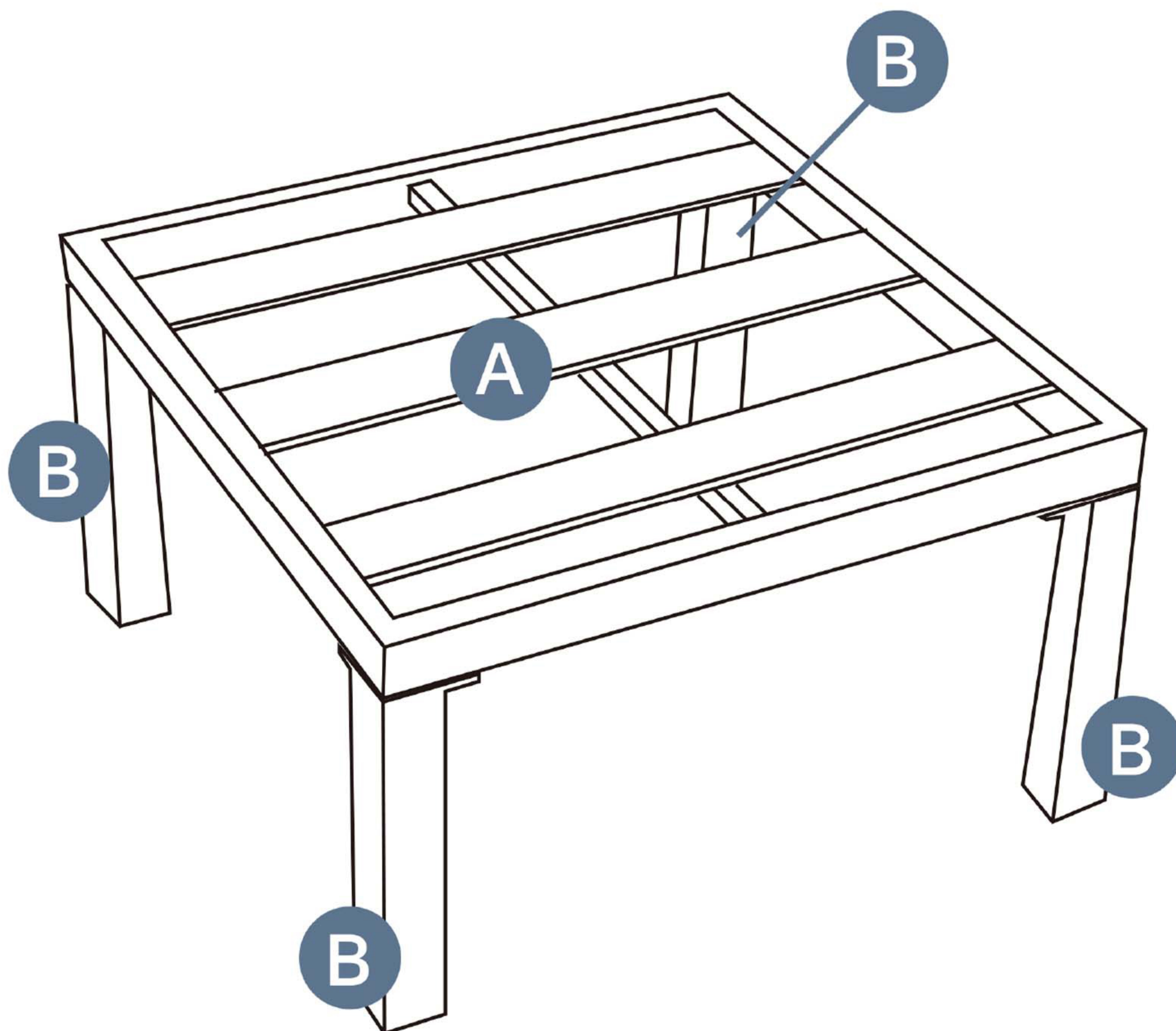
E-mail: [cs.helper01@gmail.com](mailto:cs.helper01@gmail.com)

# ACCESSORY CATALOGUE

## BOX

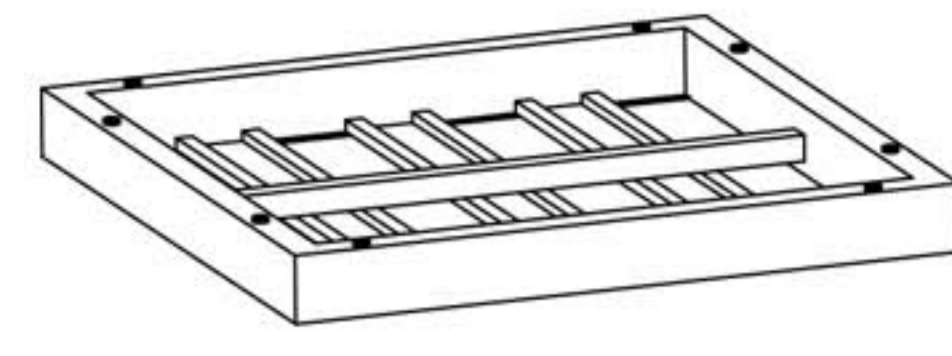
SKU: HJD24F005

Item no.	Reference Image	Qty.	Item no.	Reference Image	Qty.
A		2	Y		16
B		8	Z		1
X1	 M6X25mm	16			

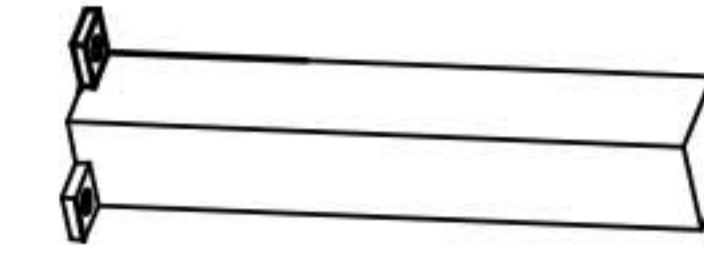


# STEP 1

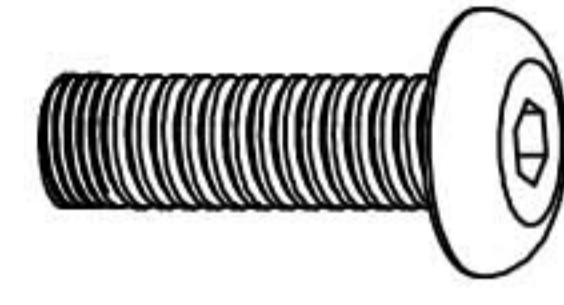
Parts required



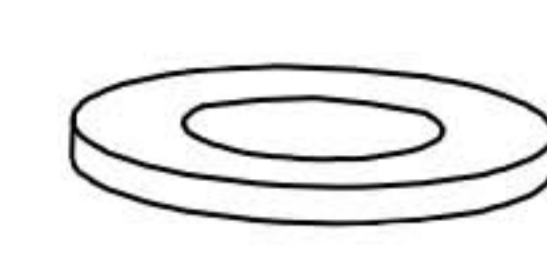
A 1pcs



B 4pcs



X1 8pcs

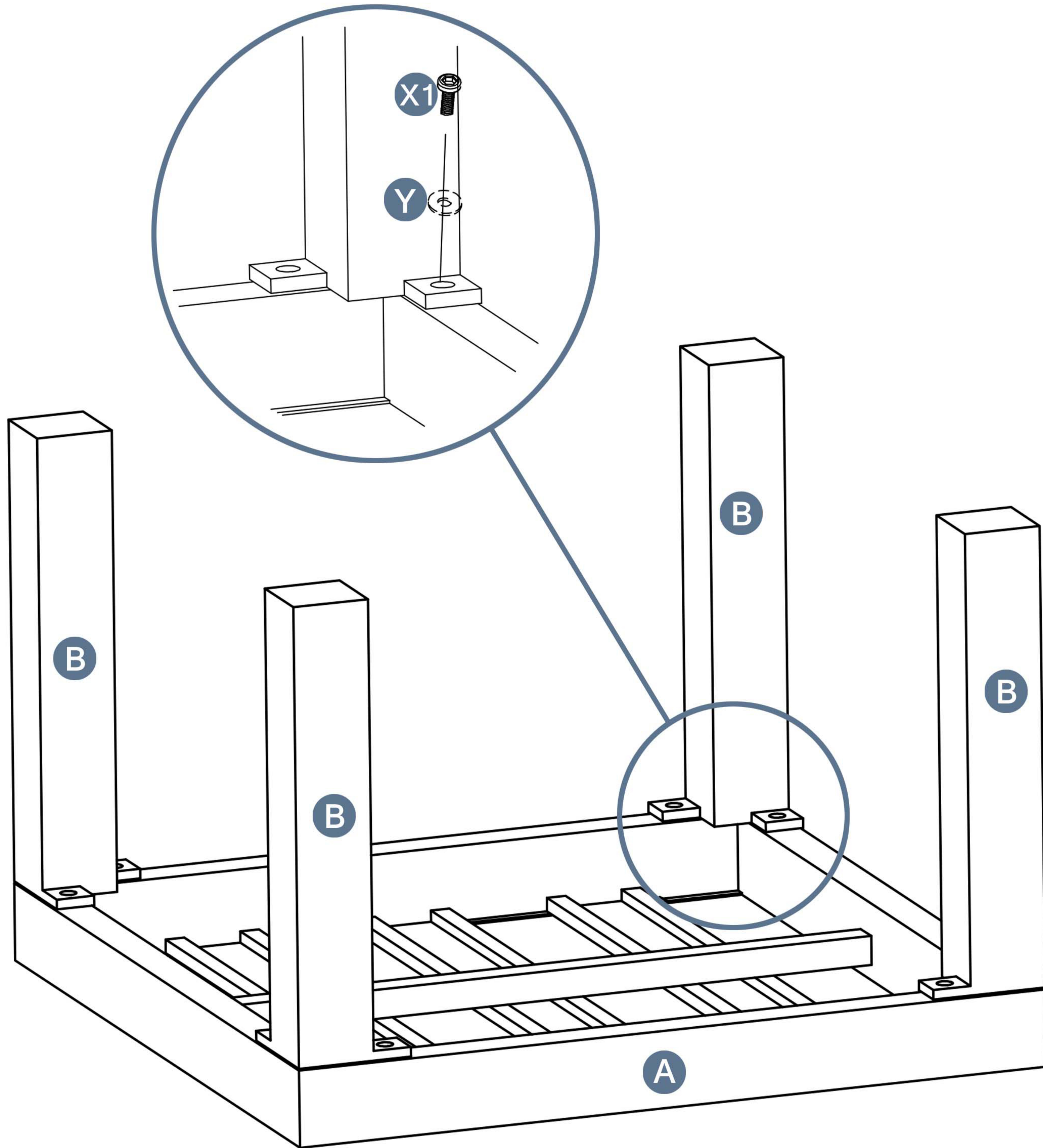


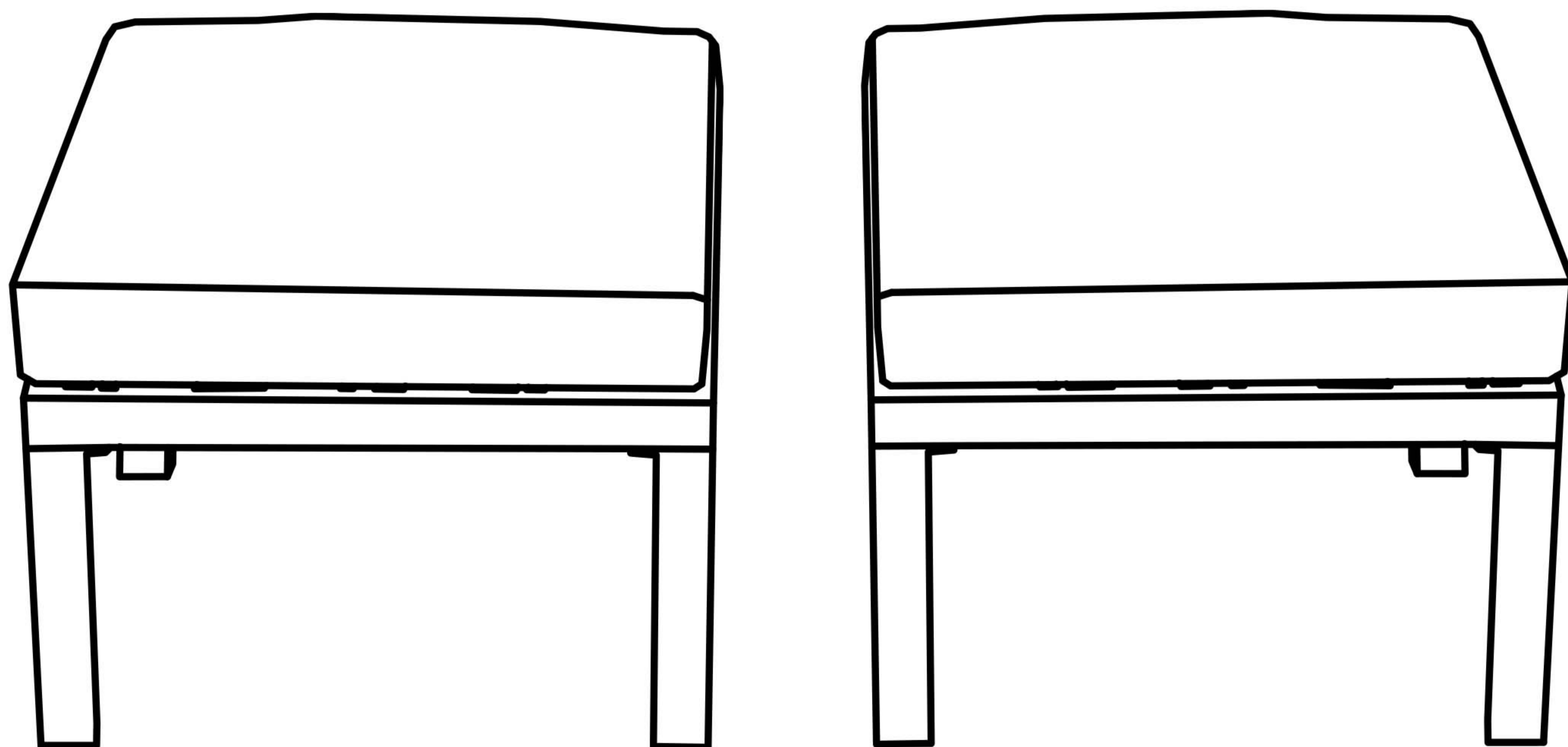
Y 8pcs



Place the washer Y on the screw shaft X1.

Attach A and B together





**Hope you enjoy this product.**

If you have any concerns about gazebo Installation, please feel free to contact us. We will reply within 24 hours.



E-mail: [cs.helper01@gmail.com](mailto:cs.helper01@gmail.com)