

A MAJOR CAUSE OF FIRES IS FAILURE TO MAINTAIN REQUIRED CLEARANCES (AIR SPACES) TO COMBUSTIBLE MATERIALS. IT IS OF UTMOST IMPORTANCE THAT THIS PRODUCT BE INSTALLED ONLY IN ACCORDANCE WITH THESE INSTRUCTIONS.

OWNER'S MANUAL

900 PELLET GRILL WITH FOLDAWAY FRONT SHELF

TABLE OF CONTENTS

IMPORTANT SAFETY INFORMATION	02
ASSEMBLY GUIDE	04
OPERATION INSTRUCTIONS	12
TROUBLESHOOTING	14
CUSTOMER SUPPORT	15



Latest version of the manual:
BlackstoneProducts.com/support

IMPORTANT:

This instruction manual contains important information necessary for the proper assembly and safe use of the appliance.

Read and follow all warnings and instructions before assembling and using the appliance.

Follow all warnings and instructions when using the appliance.

Keep this manual for future reference.

Installer/Assembler: Leave these instructions with the consumer.

SAFETY ALERT KEY

⚠ DANGER

Indicates a hazardous situation that, if not avoided, will result in death or serious injury.

⚠ WARNING

Indicates a hazardous situation that, if not avoided, could result in death or serious injury.

⚠ CAUTION

Indicates a hazardous situation that, if not avoided, could result in minor or moderate injury.

NOTICE

Indicates information considered important, but not hazard-related (e.g. messages related to property damage).

IMPORTANT SAFETY INFORMATION

READ ALL INSTRUCTIONS

⚠ DANGER

If a fire should occur, keep away from the appliance and immediately call your fire department. **DO NOT** try to move appliance, try to smother fire, put water on fire. Failure to follow these instructions could result in fire or property damage, personal injury or death.

⚠ WARNING

DO NOT use gasoline, gasoline-type lantern fuel, kerosene, charcoal lighter fluid, or similar liquids to start or "freshen up" a fire in this appliance. Keep all such liquids well away from the appliance when in use.

⚠ CAUTION



Hot surface. DO NOT directly touch the grease bucket handle while the appliance is on. Wear protective gloves to prevent burns.

⚠ CAUTION

Improper use can cause uncontrolled fire. To reduce fire risk:

- Charcoal or similar combustible fuels must not be used with this appliance.
- DO NOT store anything directly on top of the appliance surface when the appliance is in operation.
- Use extreme caution when removing tray or disposing of hot grease.
- Clean the ashes out of the ash box before each use.

This appliance is intended to be used **OUTDOORS** in household and similar applications such as:

- Staff kitchen areas in shops, offices and other working environments;
- Farm houses;
- By clients in hotels, motels and other residential type environments;
- Bed and breakfast type environments.

NOTE: This equipment has been tested and found to comply with the limits for a Class B digital device, pursuant to part 15 of the FCC Rules. These limits are designed to provide reasonable protection against harmful interference in a residential installation. This equipment generates, uses, and can radiate radio frequency energy and, if not installed and used in accordance with the instructions, may cause harmful interference to radio communications. However, there is no guarantee that interference will not occur in a particular installation. If this equipment does cause harmful interference to radio or television reception, which can be determined by turning the equipment off and on, the user is encouraged to try to correct the interference by one or more of the following measures:

- Reorient or relocate the receiving antenna.
- Reorient or relocate the receiving antenna.
- Increase the separation between the equipment and receiver.
- Connect the equipment into an outlet on a circuit different from that to which the receiver is connected.
- Consult the dealer or an experienced radio/TV technician for help Unintentional Radiators/Radio.

Receivers - FCC Verification Markings : 47 CFR 15.19 (a)

Changes or modifications not expressly approved by the party responsible for compliance could void the user's authority to operate this device.

⚠ DANGER



CARBON MONOXIDE HAZARD

This appliance can produce carbon monoxide which is poisonous and has no odor. Using it in an enclosed space can kill you.

NEVER use this appliance in an enclosed space such as a camper, tent, car or home.

⚠ DANGER

Flammable items can combust if placed near the appliance. Keep the appliance area clear and free from combustible materials, aerosol containers, gasoline and other flammable vapors and liquids.

⚠ WARNING

Improper installation, use, adjustment, alteration, service, modification, or maintenance can cause property damage, serious injury, or death. Refer to this manual.

- The use of alcohol, prescription, or non-prescription drugs may impair the consumer's ability to properly assemble or safely operate the appliance.
- Keep children and pets away from the appliance at all times.
- Have a type BC or ABC fire extinguisher readily available.
- DO NOT use for purposes other than intended.
- For outdoor domestic use only, not for commercial use.
- DO NOT use this appliance as a heater.

This device complies with Part 15 of FCC Rules. Operation is subject to the following two conditions: (1) This device may not cause harmful interference, and (2) This device must accept any interference received, including interference that may cause undesired operation.

North Atlantic Imports, LLC 1073 W 1700 N Logan, UT 84321 USA
BlackstoneProducts.com



SETTING UP YOUR OUTDOOR SPACE

THIS APPLIANCE MUST ONLY BE USED OUTDOORS ON A LEVEL SURFACE.

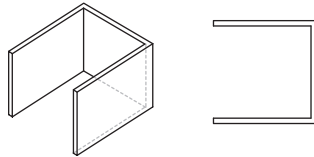
- DO NOT use this appliance inside buildings, garages, or any other enclosed area.
- DO NOT install this appliance in or on a boat.
- DO NOT install this appliance in or on a recreational vehicle.

SHELTERED OUTDOOR AREAS:

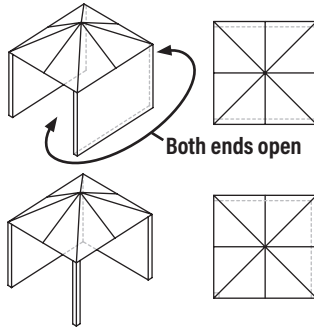
All openings must be permanently open; sliding doors, garage doors, windows or screened openings are not considered as permanent openings.

An appliance is considered to be outdoors if installed with shelter no more inclusive than:

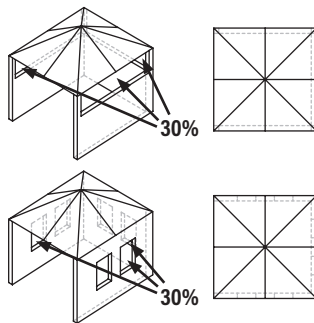
- a. With walls on three sides, but with no overhead cover.



- b. Within a partial enclosure that includes an overhead cover and no more than two side-walls. The sidewalls may be parallel, as in a breezeway, or at right angles to each other.



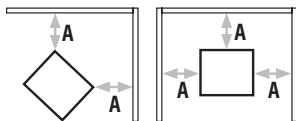
- c. Within a partial enclosure that includes an overhead cover and three sidewalls, as long as 30% or more of the horizontal periphery of the enclosure is permanently open.



The minimum ambient operating temperature is 0°F (-18°C).

MAINTAIN PROPER CLEARANCES FROM COMBUSTIBLE MATERIAL.

- DO NOT use this appliance on or under any apartment or condominium balcony or deck.
- DO NOT obstruct the flow of combustion and ventilation air.



DO NOT operate this appliance any closer than 36 in (1 m) from the sides and back of the appliance to combustible construction.

A = 36 in (1 m)

- DO NOT use this appliance under overhead combustible construction.

ELECTRIC APPLIANCE SAFETY

This appliance is suitable for outdoor use.

TO PROTECT AGAINST ELECTRIC SHOCK:

- DO NOT immerse cord or plugs in water or other liquid.
- Unplug from the outlet when not in use and before cleaning. Allow to cool before putting on or taking off parts.
- The supply cord should be regularly examined for signs of damage, and if the cord is damaged, the appliance must not be used.
- DO NOT operate this appliance with a damaged cord, plug, or after the appliance malfunctions or has been damaged in any manner. Contact the manufacturer for repair.
- DO NOT let the cord hang over the edge of a table or touch hot surfaces.
- Keep any electrical supply cord and the fuel supply hose away from heated surfaces.
- When connecting, first connect plug to the appliance then into the outlet.

THE APPLIANCE MUST BE CONNECTED ONLY TO AN OUTLET THAT IS PROTECTED BY A GROUND-FAULT CIRCUIT-INTERRUPTER (GFCI).

- Press the TEST button (then RESET button) every month to assure proper operation.
- The appliance is to be connected to a socket-outlet having an earthing contact.
- This appliance, when installed, must be electrically grounded in accordance with local codes or, in the absence of local codes, with the National Electric Code, ANSI/ NFPA 70, or the Canadian Electrical Code, CSA C22.1.
- DO NOT remove the grounding plug or use with an adapter of 2 prongs.
- Use only extension cords with a 3 prong grounding plug, rated for the power of the equipment, and approved for outdoor use with a W-A marking.

PELLET GRILL SAFETY

PLEASE READ THIS ENTIRE MANUAL BEFORE INSTALLATION AND USE OF THIS PELLET FUEL-BURNING APPLIANCE. FAILURE TO FOLLOW THESE INSTRUCTIONS COULD RESULT IN PROPERTY DAMAGE, BODILY INJURY OR EVEN DEATH.

CONTACT LOCAL BUILDING OR FIRE OFFICIALS ABOUT RESTRICTIONS AND INSTALLATION INSPECTION REQUIREMENTS IN YOUR AREA.

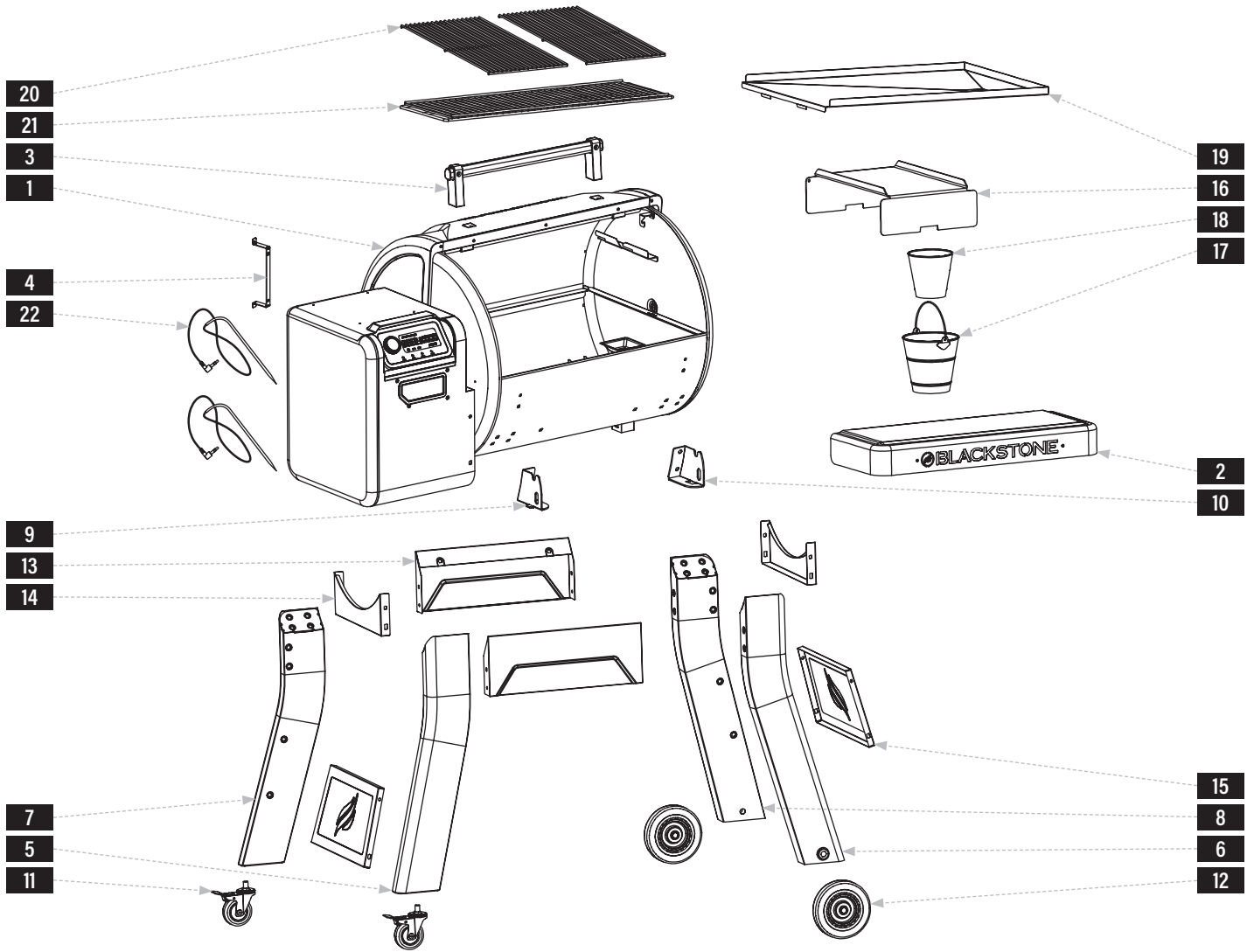
SAVE THESE INSTRUCTIONS.

- Burning wood gives off carbon monoxide which can cause death.
- DO NOT burn wood chips inside homes, vehicles, tents, garages or any enclosed areas.
- Use only outdoors where it is well ventilated.
- Follow these guidelines to prevent this colorless, odorless gas from poisoning you, your family, or others:
 - Know the symptoms of carbon monoxide poisoning: headache, dizziness, weakness, nausea, vomiting, sleepiness, and confusion. Carbon monoxide reduces the blood's ability to carry oxygen. Low blood oxygen levels can result in loss of consciousness and death.
 - See a doctor if you or others develop flu-like symptoms while cooking in the vicinity of this appliance. Carbon monoxide poisoning, which can easily be mistaken for a cold or flu, is often detected too late.
 - Alcohol consumption and drug use increase the effects of carbon monoxide poisoning.
 - Carbon monoxide is especially toxic to mother and child during pregnancy, infants, the elderly, smokers, and people with blood or circulatory system problems, such as anemia, or heart disease.

ASSEMBLY GUIDE

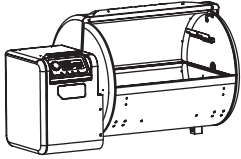


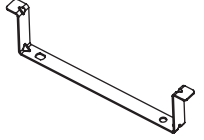
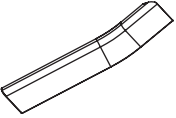

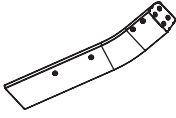
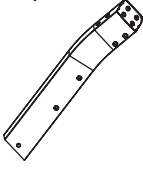





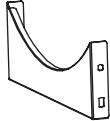

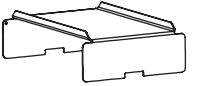


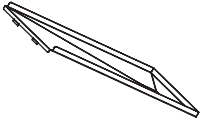


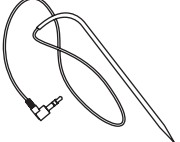
EXPLODED VIEW

ENGLISH



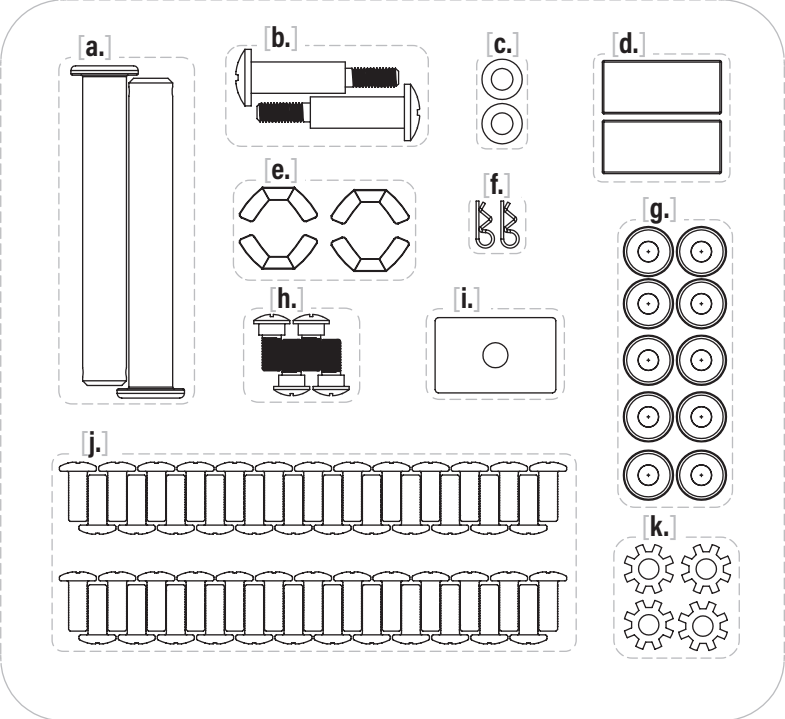


PARTS LIST

1 Pellet body (1 piece) 		2 Front shelf (1 piece) 		3 Barrel handle (1 piece) 		4 Power cord bracket (1 piece) 	
5 Left-front leg (1 piece) 	6 Right-front leg (1 piece) 	7 Left-rear leg (1 piece) 	8 Right-rear leg (1 piece) 	9 Left front shelf mount (1 piece) 	10 Right front shelf mount (1 piece) 		
11 Lockable caster wheels (2 pieces) 	12 Fixed wheels (2 pieces) 	13 Barrel panels (2 pieces) 	14 Frame side panels (2 pieces) 	15 Side logo panels (2 pieces) 	16 Heat baffle (1 piece) 		
17 Grease bucket (1 piece) 	18 Grease bucket liner (1 piece) 	19 Drip pan (1 piece) 	20 Smoker grates (2 pieces) 	21 Warming rack (1 piece) 	22 Thermometer probes (2 pieces) 		

23 Hardware pack (1 piece)

- a. Wheel axle pins (2 pieces)
- b. M6x40 step bolts (2 pieces)
- c. Washers (2 pieces)
- d. Silicone pads (2 pieces)
- e. Butterfly nuts (4 pieces)
- f. Wheel cotter pins (2 pieces)
- g. M6x16 bolt washers (20 pieces)
- h. M6x15 step bolts (4 pieces)
- i. Handle washers (2 pieces)
- j. M6x10 bolts (50 pieces)
- k. M6x40 bolt nuts (8 pieces)



ASSEMBLY INSTRUCTIONS

Find a large, clean area to assemble your appliance.

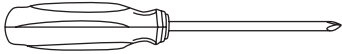
Remove all packing material before assembling. (You may have additional or spare hardware after assembly.)

⚠ CAUTION

Sharp edges. Wear gloves while assembling.

⚠ CAUTION

Heavy pieces. Two people should assemble this appliance.



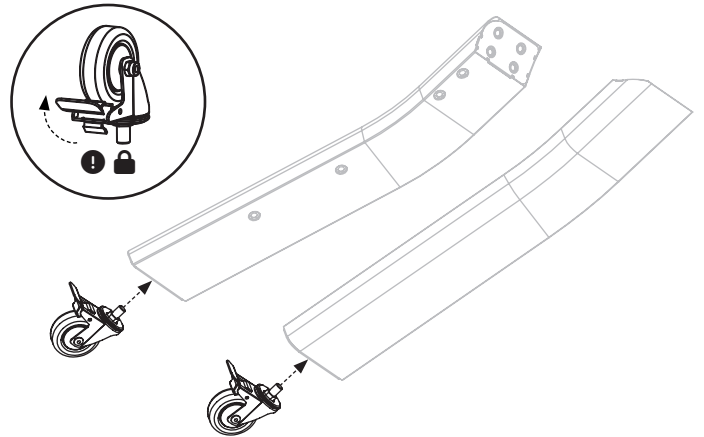
TOOL NEEDED:

#3 Phillips head screwdriver

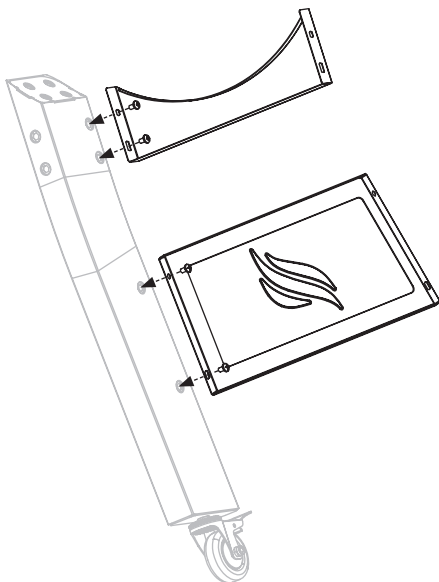
ELECTRIC REQUIREMENTS:

120V 60Hz

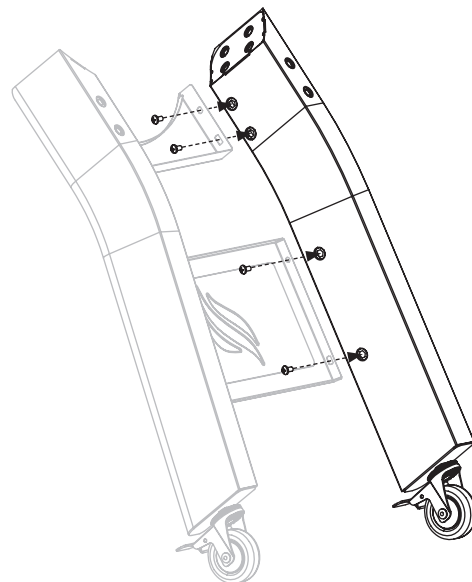
STEP 01 Screw the two (2) caster wheels into the front and rear left legs. (Ensure that the wheels are locked before attaching them.)



STEP 02 Use four (4) M6x10 bolts [j.] to attach one (1) frame side panel and one (1) side logo panel to the front left leg.



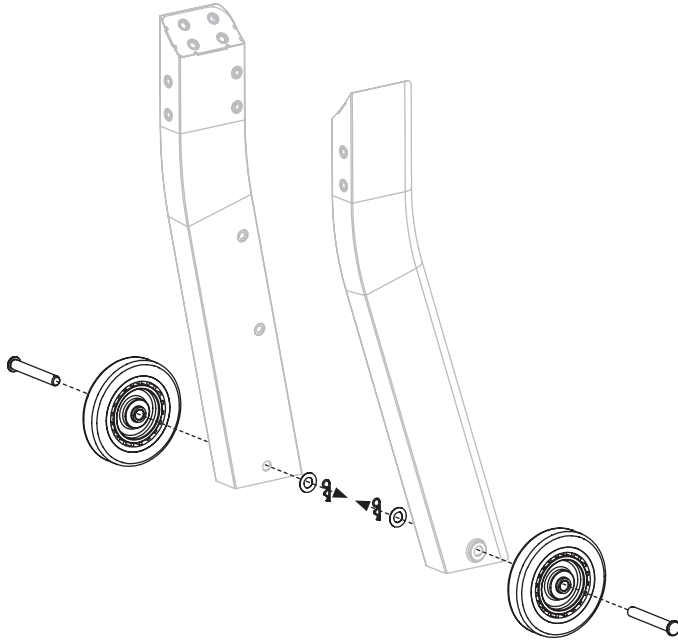
STEP 03 Use four (4) M6x10 bolts [j.] to attach the rear left leg to the front left leg assembly.



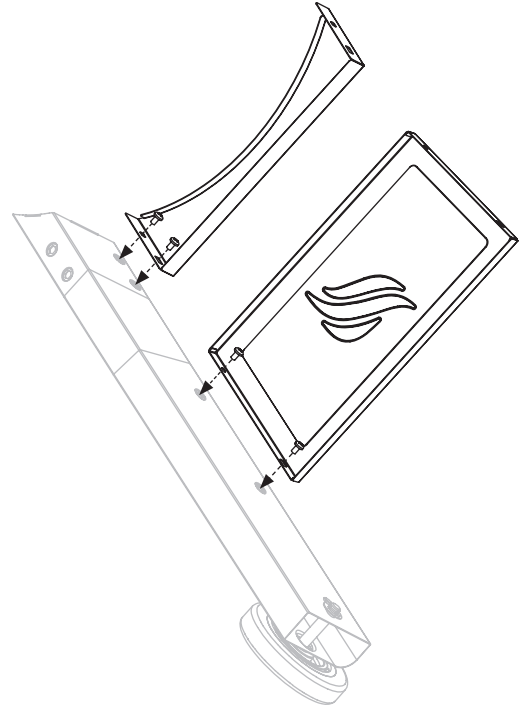


STEP 04 Use one (1) one wheel axle pin [a.], one (1) washer [c.], and one (1) wheel cotter pin [f.] to attach one (1) fixed wheel to the right front leg.

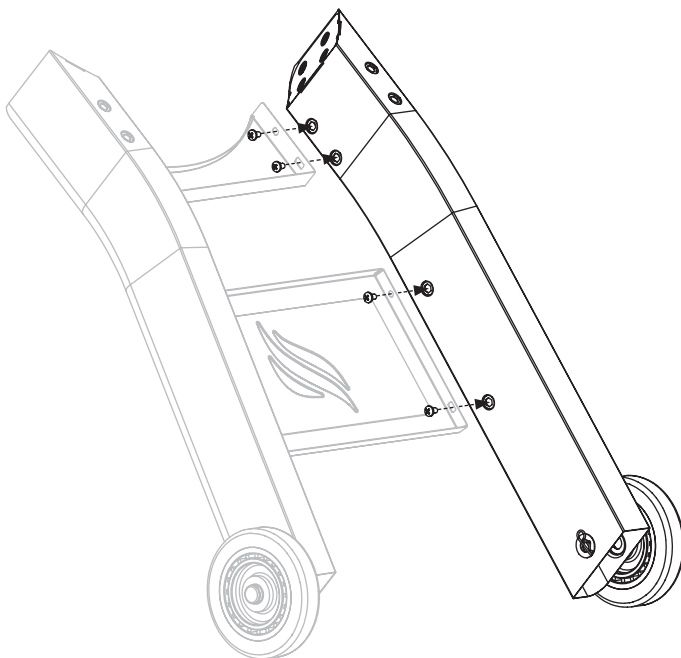
Repeat with the rear right leg.



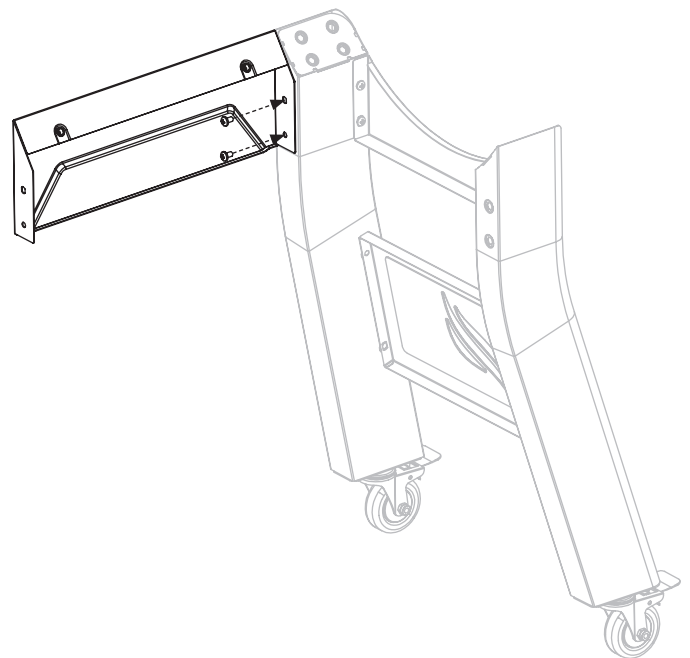
STEP 05 Use four (4) M6x10 bolts [j.] to attach one (1) frame side panel and one (1) side logo panel to the rear right leg.



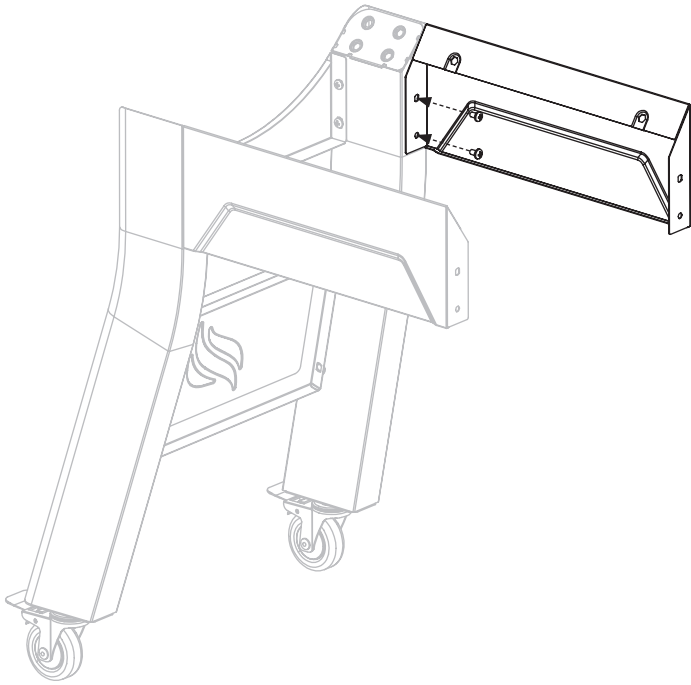
STEP 06 Use four (4) M6x10 bolts [j.] to attach the front right leg to the rear right leg assembly.



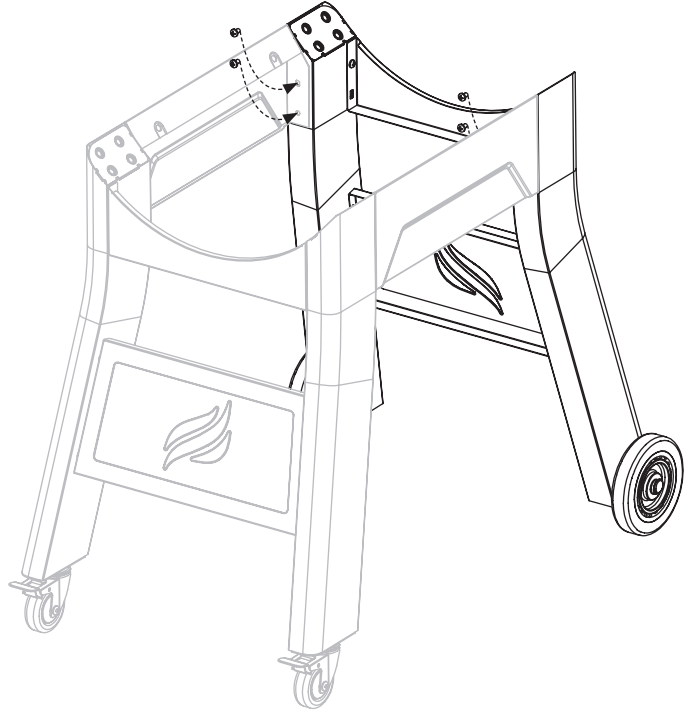
STEP 07 Use two (2) M6x10 bolts [j.] to attach one (1) barrel panel to the front left leg.



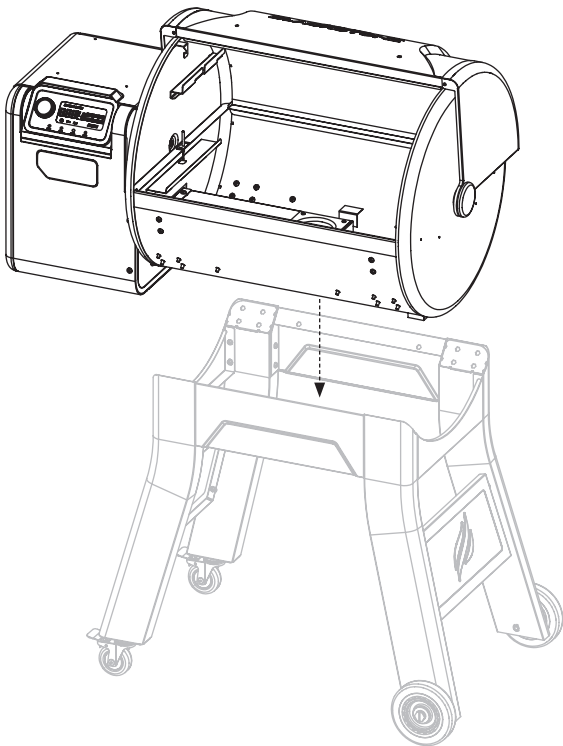
STEP 08 Use two (2) M6x10 bolts [j.] to attach one (1) barrel panel to the rear left leg.



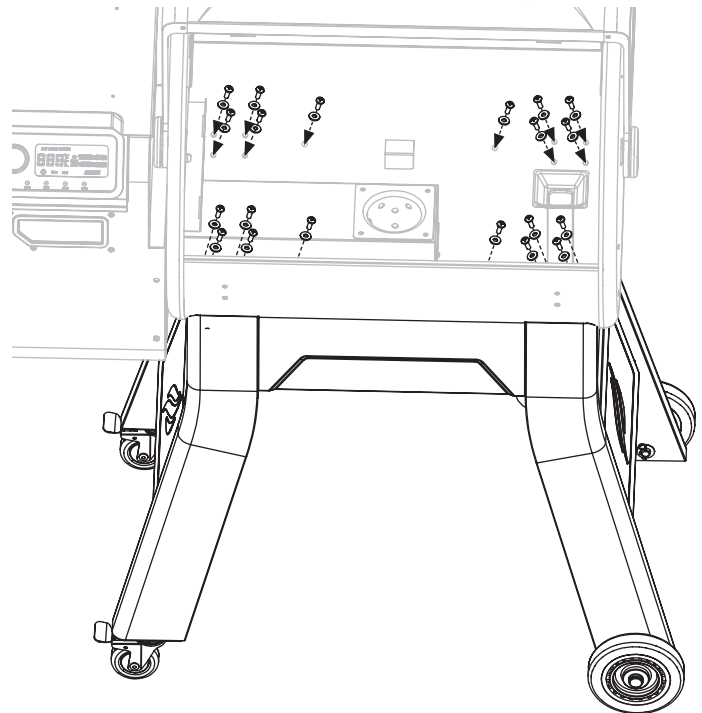
STEP 09 Use four (4) M6x10 bolts [j.] to attach the right leg assembly to the barrel panels.



STEP 10 With the help of another person, place the pellet body on the leg assembly.

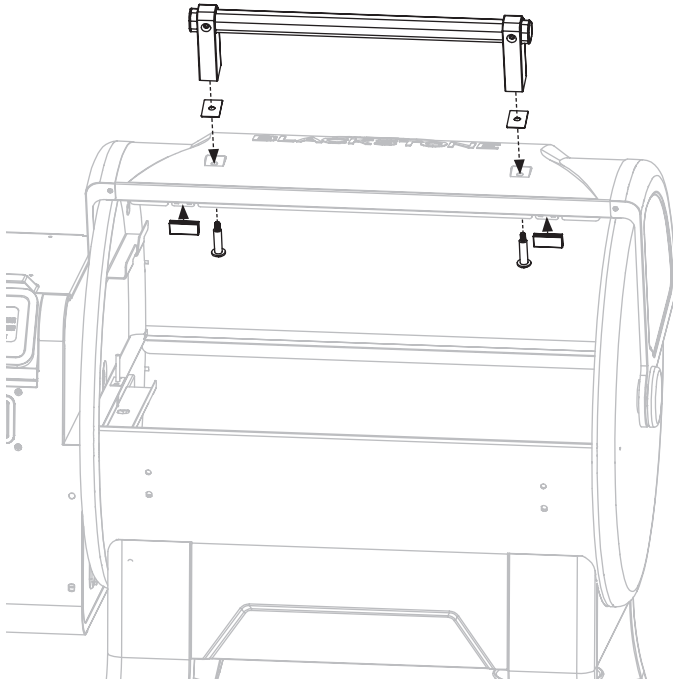


STEP 11 Use twenty (20) M6x10 bolts [j.] and twenty (20) M6x16 bolt washers [g.] to attach the barrel to the legs and barrel panels.



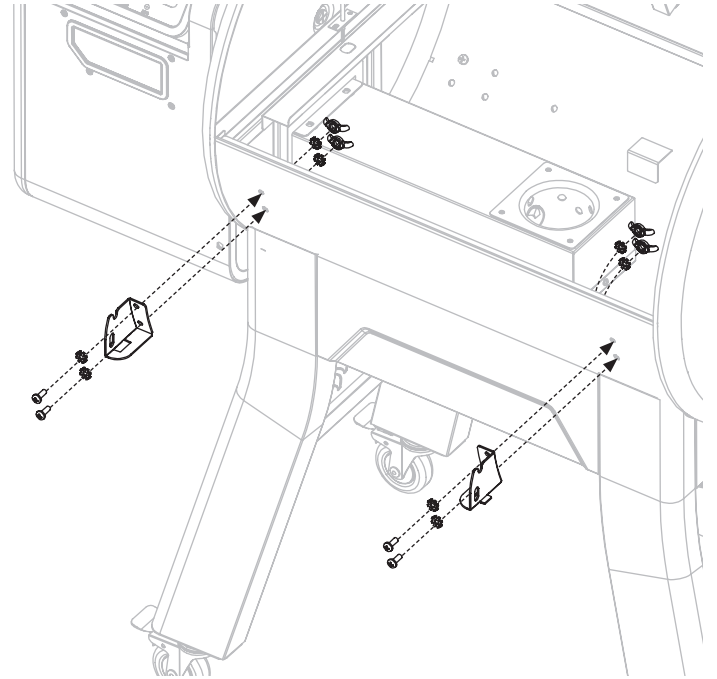


STEP 12 Use two (2) M6x40 step bolts [b.] to attach the barrel handle and two (2) handle washers [i.] to the barrel lid. Insert two (2) silicone pads [d.] into the lid.

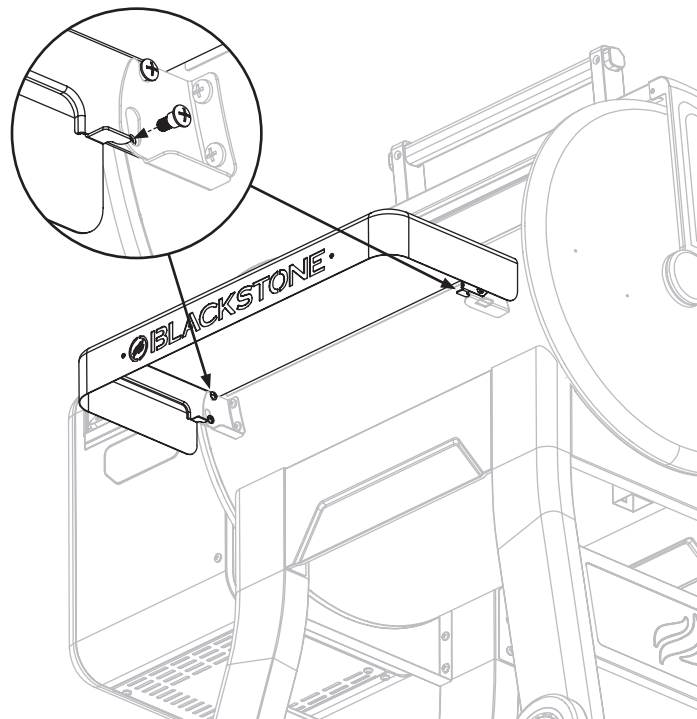


STEP 13 Use two (2) M6x10 bolts [j.], four (4) M6x40 bolts nuts [k.] and two (2) butterfly nuts [e.] to attach the left front shelf mount on the barrel.

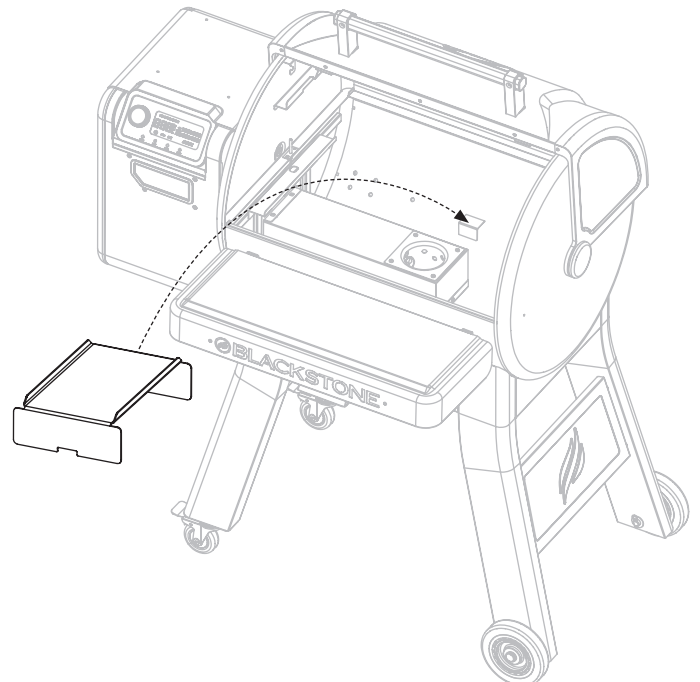
Use two (2) M6x10 bolts [j.], four (4) M6x40 bolts nuts [k.] and two (2) butterfly nuts [e.] to attach the right front shelf mount on the barrel.



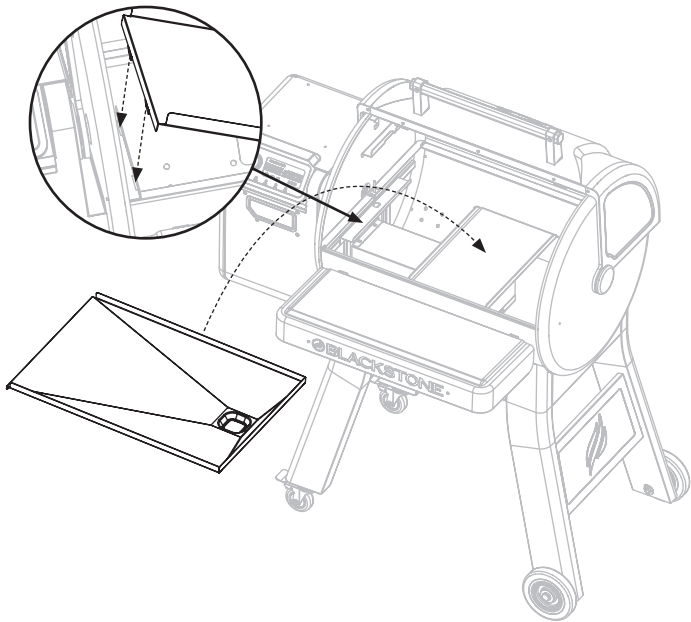
STEP 14 Hang the front shelf on the front shelf mounts, and use four (4) M6x15 step bolts [h.] to secure.



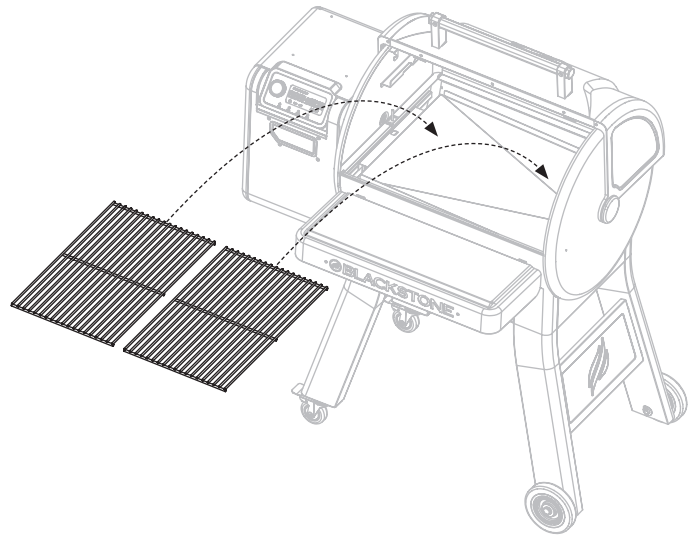
STEP 15 Place the heat baffle into the barrel. (The notches should sit on the brackets.)



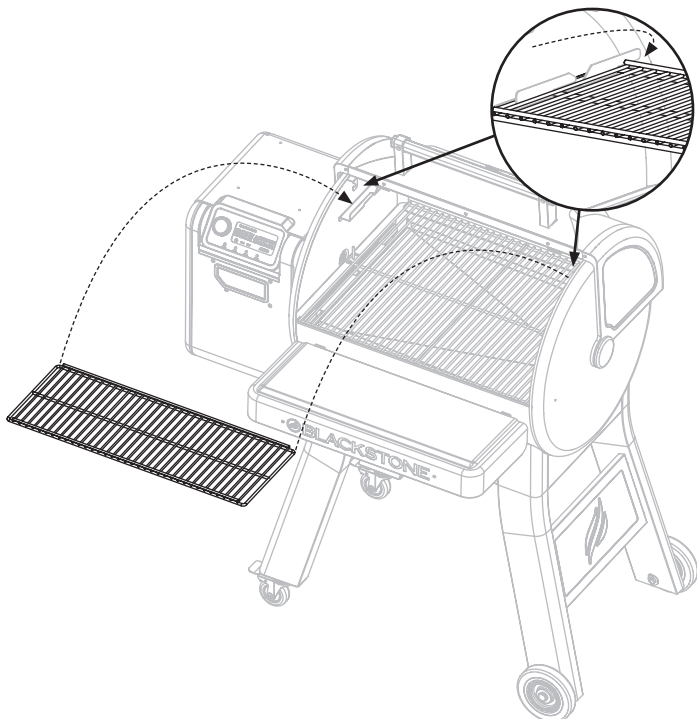
STEP 16 Place the drip pan into the barrel. Align the drip pan tabs into the barrel lip slots.



STEP 17 Place the two smoker grates into the barrel.



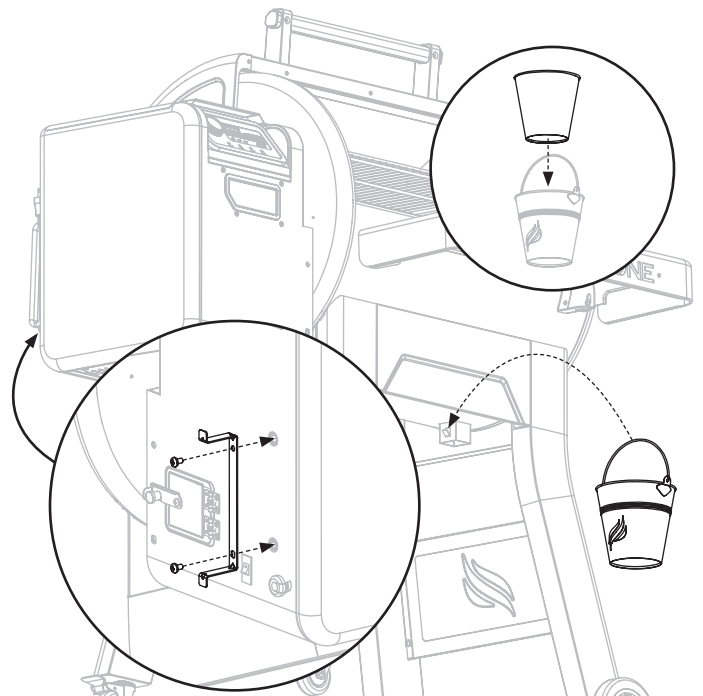
STEP 18 Place the warming rack on the upper bracket.



STEP 19 Place the grease bucket liner into the grease bucket.

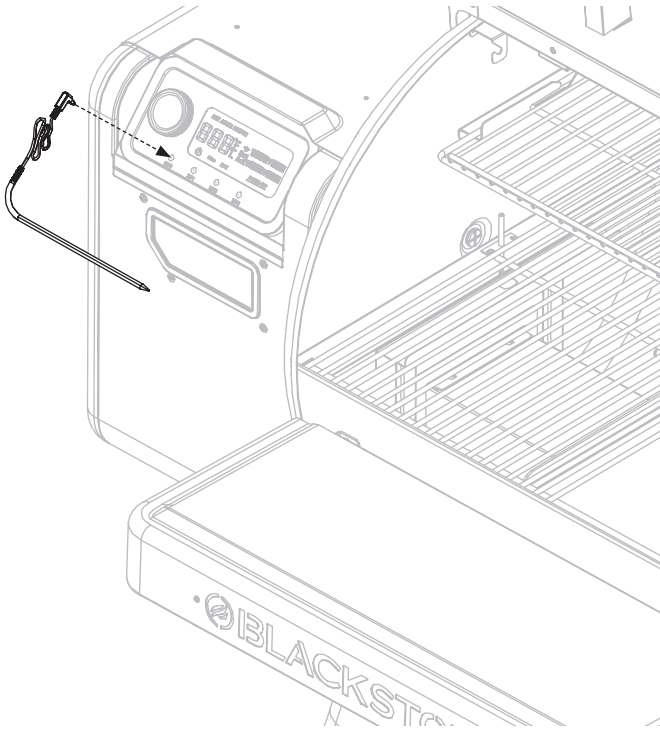
Hang the grease bucket on the hook under the barrel.

Use two (2) M6x10 bolts [j.] to attach the power cord bracket to the back of the hopper.

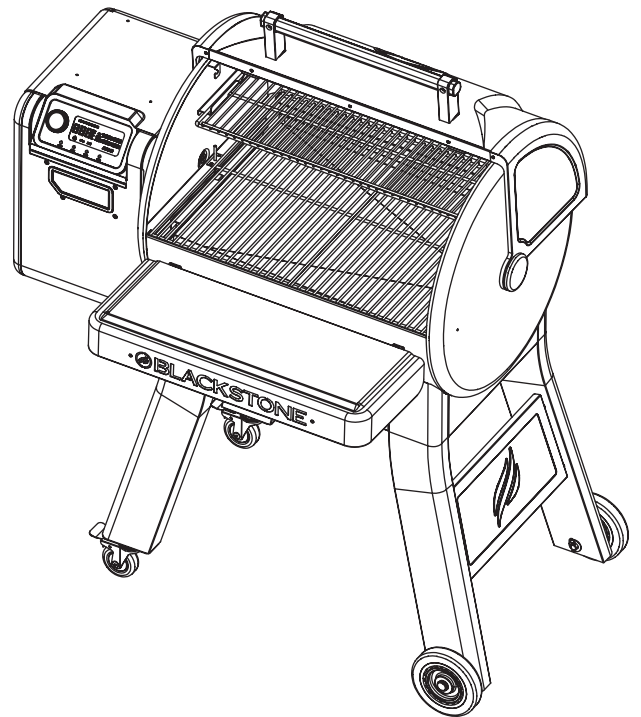




STEP 20 Plug the thermometer probe(s) into the pellet grill control panel.



STEP 21 Proceed to the **OPERATION INSTRUCTIONS**.



OPERATION INSTRUCTIONS

HOW TO USE YOUR PELLET GRILL

⚠ WARNING

DO NOT use on combustible floors, unless the floor is protected with noncombustible surfaces approved for such use by the authority having jurisdiction.

1. LOAD HOPPER:

STEP 01 Make sure liner is in place for grease bucket and drip pan.

STEP 02 Plug in the electric cord, and press the master power switch on the back of the grill.

STEP 03 Feed pellets into hopper.

- Use only 100% hardwood food safe pellets with a mean heating value of 8,000-8,770 BTU/lb, and an ash content of <1%. Operate only per manufacturer's instructions.
- DO NOT use pellet fuel labeled as having additives.
- DO NOT expose pellets to moisture. Pellets should be stored indoors in a sealed container.
- Always store wood pellets away from heat-producing appliances and other fuel containers.

IMPORTANT: Empty the hopper (clean out all pellets) from the hopper rear access door after each use to avoid pellet jam issue due to air moisture.

2. PELLET GRILL IGNITION:



STEP 01 Open the hood.

STEP 02 Press [⏻] to turn on.

STEP 03 Press and hold [Prime] for two (2) seconds to activate the continuous feeding function. The auger will run automatically for ~4 minutes until the pellets fall into the firepot.

Note: Press [Prime] to stop the continuous feeding function.

STEP 04 Press the temperature control knob button [🔧] to enter the temp set interface.

Note: Press [F/C] to switch between Fahrenheit or Celsius display types.

STEP 05 Rotate the knob to set the furnace temperature.

Note: The temperature range is S, 185°F (85°C) - 490°F (254°C), H.

STEP 06 Press the knob button again to determine the set temp.

STEP 07 Once the grill is going strong and the smoke has stopped billowing, close the hood until the grill reaches the set temperature.

BURN-OFF PROCESS (BEFORE FIRST TIME USE)

Burns off manufacturing oils, or any build-up in a smoker that has been in storage for a while.

STEP 01 Set temperature to 350°F (177°C).

STEP 02 Run for 20 min.

STEP 03 Increase temp to 450°F (230°C).

STEP 04 Run for 35 min.

STEP 05 Turn off, but DO NOT unplug until the fan has finished running.

TO TURN THE PELLET GRILL OFF:

STEP 01 Press and hold [⏻] for two (2) seconds to enter the shut-down mode. (POWER OFF will light up, the motor ignition rod will turn off, and the fan will run for 10 minutes.)

STEP 02 Turn the master power switch OFF before storing or putting the cover on.



WHILE COOKING

- Remove pots and pans while the grill is unattended, to reduce the risk of fire.
- DO NOT use accessories not specified for use with this appliance.
- Press the temperature control knob button [🔧] to toggle between **Set** (the set temperature value) and **Act** (the actual furnace temperature) temperature displays.

PROBES AND JOB LIGHTS

- When active, the corresponding Job icon lights up. (FAN, AUGER, IGNITOR)
- When the Probes are connected, the temperature value and character of the corresponding probe is displayed.

THE 'BLACKSTONE CONNECT' APP 📶

(Available on iOS and Android)

- Adjust and check the temperature of the barrel and probes.
- Set and check the timer.
- Turn off the grill from your mobile device.

⚠ CAUTION

This appliance will be hot during and after use. Use long-handled utensils and oven mitts/ protective gloves when handling potentially hot parts, including handles close to the appliance body, to protect against burns and splatters.

RECIPES AND COOKING TIPS

🌐 BlackstoneProducts.com/recipes

▶ youtube.com/BlackstoneGriddles

📱 @blackstoneproducts



SMOKED CHICKEN CHEESESTEAK
Pellet grill

- 1-2 lb of pellets per hour for low and slow cooks.
- 4 lbs of pellets per hour for hot and fast cooks.
- For fatty meat, put meat on the top grate and a water pan on the lower grate to catch drippings and keep meat moist.

⚠ WARNING

Grease build up can cause a fire. Clean any part of the appliance that gets hot and experiences grease build up after each use.

⚠ CAUTION

All cleaning and maintenance should be carried out when the appliance is cool and everything is turned OFF.

- DO NOT use abrasive pad on areas with graphics.
- If a bristle brush is used to clean any of the cooking surfaces, ensure no loose bristles remain on cooking surfaces prior to cooking.

APPLIANCE BODY:

Wash with warm soapy water and immediately wipe dry with a non-abrasive cloth. (DO NOT allow cleaning agents to rest on any porous surface for a prolonged amount of time.)

NOTICE

DO NOT use Citrisol, abrasive cleaners, or a concentrated cleaner on the appliance. This may result in damage to and failure of parts.

APPLIANCE STORAGE

⚠ WARNING

DO NOT move the appliance when in use. Allow the appliance to cool to 115°F (45°C) before moving or storing.

Cover your appliance with a hard or soft cover or carry bag (as applicable) when stored outdoors. DO NOT store where water will pool.



FIND MY COVER
BlackstoneProducts.com

- Covers
- Carry bags

⚠ WARNING

DO NOT clean with metal scouring pads. Pieces can break off the pad and touch electrical parts, creating a risk of electric shock.

CLEANING INSIDE THE OVEN CHAMBER

Cleaning tip: start at top and work down.

STEP 01 Use a plastic scraper to remove thick deposits of grease from walls of oven, then the grates.

Debris should all go onto the drip pan foil liner.

STEP 02 Use non-abrasive, non-scratch scrubber (nylon) to get into cracks and crevices.

STEP 03 Remove heat baffle/flame tamer.

STEP 04 Use a shop vac or an ash vac to vacuum inside of oven, especially in the fire pot.

STEP 05 Use a degreaser and strong paper towel to wipe down surfaces.

STEP 06 Empty the grease bucket.

DEEP CLEANING

CREOSOTE - FORMATION AND NEED FOR REMOVAL.

- When wood pellets are burned slowly, they produce tar and other organic vapors that combine with expelled moisture to form creosote. The creosote vapors condense in a relatively cool oven flue and exhaust hood of a slow burning fire. As a result, creosote residue accumulates on the flue lining and exhaust hood. When ignited, this creosote makes an extremely hot fire.
- The grease duct should be inspected at least twice a year to determine when grease and/or creosote buildup has occurred.
- When grease or creosote has accumulated, it should be removed to reduce risk of fire.

STEP 01 Spray degreaser on the grates and inside chimney

STEP 02 Remove the grates and use non-abrasive scrubber to clean them.

STEP 03 Wipe down with strong paper towel.

STEP 04 Remove heat baffle/flame tamer.

STEP 05 Vacuum inside of oven, all nooks and crannies.

STEP 06 Use a long handled scrubber to clean inside chimney

STEP 07 Spray walls and lid of oven with degreaser.

STEP 08 Wipe down with strong paper towels (including temperature probe VERY CAREFULLY).

STEP 09 Reinsert new liners, replace grates.

DISPOSAL OF ASHES

Ashes should be placed in a metal container with a tight-fitting lid. The closed container of ashes should be placed on a non-combustible floor or on the ground, well away from all combustible materials, pending final disposal. When the ashes are disposed by burial in soil or otherwise locally dispersed, they should be retained in the closed container until all cinders have thoroughly cooled.

TROUBLESHOOTING

PELLET GRILL ERROR DISPLAYS:

ERP

POSSIBLE CAUSES	SOLUTION
Short circuit, open circuit, or disconnected temperature sensor.	Contact customer support.

ERH

High temperature error

POSSIBLE CAUSES	SOLUTION
Grill temperature greater than 615°F (324°C).	Turn OFF the appliance.

ERL

Low temperature error

POSSIBLE CAUSES	SOLUTION
<ul style="list-style-type: none">Failed ignition.Running mode temperature drops below 120°F (49°C) and the ignition fails again.	Ensure that the firepot is primed, and that there are pellets in the hopper.



CUSTOMER SUPPORT

CONTACT US

For all questions, inquiries, or customer support, please contact us at:

BLACKSTONE PRODUCTS USA & CANADA

➤ BlackstoneProducts.com/support

- Monday – Friday | 7:00 am – 5:00 pm (MST/MDT)*
- English and Spanish

Please contact us before returning this appliance to your retailer.

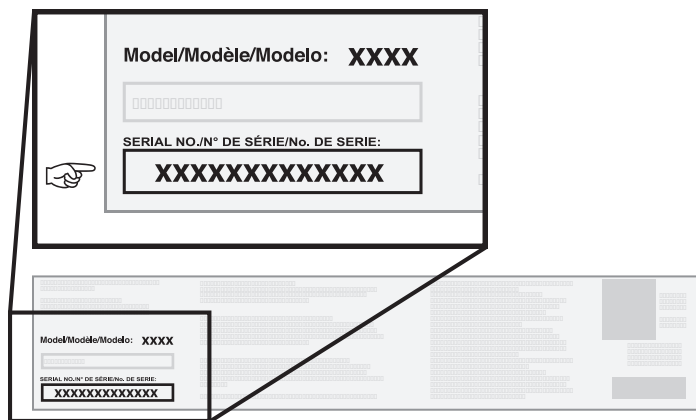
*Check BlackstoneProducts.com for additional hours.

SERIAL NUMBER LOCATION

To enable your warranty, you will need to provide your appliance's Serial Number.

The Serial Number can be found on your appliance's Manufacturer Label.

(The Manufacturer Label is a large silver sticker found on the body of your appliance.)



**FREE
E-COOKBOOK**
WHEN YOU REGISTER



ONE YEAR WARRANTY

North Atlantic Imports, LLC warrants this product against defects in materials and workmanship for a period of one (1) year from the original date of purchase under normal use. To the extent any such defects occur, North Atlantic Imports, LLC, in its discretion, will provide the appropriate replacement part(s) at no charge.

In no event shall North Atlantic Imports, LLC be liable for consequential, indirect or incidental damages resulting from the installation, use or failure of the product.

This warranty DOES NOT cover:

- Inspection costs or labor for replacement of any defective part(s);
- Cosmetic defects which DO NOT affect product performance or integrity;
- Normal wear and tear;
- Damage due to vandalism; acts of nature, including but not limited to wind, storms, hail, floods;
- Improper assembly, installation, or use;
- Discoloration or fading of the finish as a result of exposure to chemicals, spills, pool or salt water;
- Corrosion/ rust.

This product has been designed for safety and quality. Any modifications made to the original product could compromise its structural integrity or function and could lead to product failure or personal injury. As such, modifying this product voids all warranties.

This product is for RESIDENTIAL USE ONLY, and is not for commercial, contract or other non-residential purposes. North Atlantic Imports, LLC disclaims all other representations and warranties of any kind, express or implied.

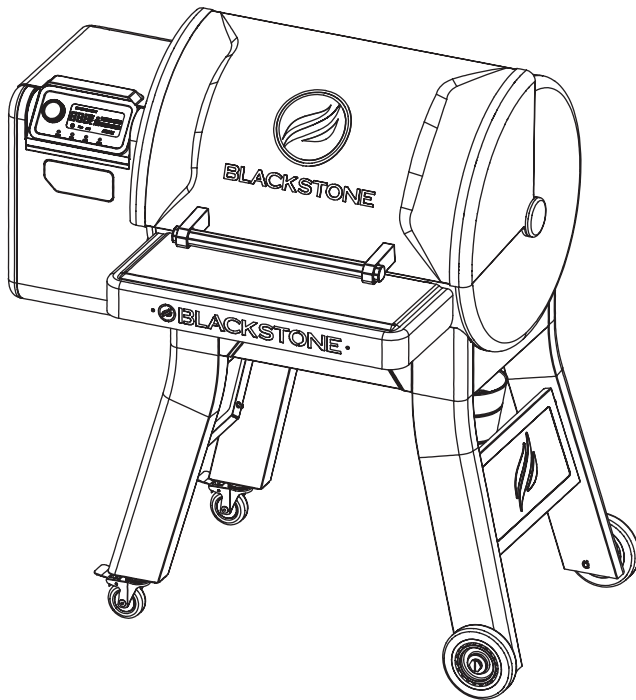
The warranty applies to the original purchaser and is non-transferable. It does not apply to accessories or parts not supplied with the product, to purchases of display models, or to product that is sold on clearance or "as is". You may, however, have other specific legal rights based on the laws of your specific state or country of residence.

To activate your warranty, register your product at BlackstoneProducts.com/register

North Atlantic Imports, LLC reserves the right to change or modify this warranty at any time.



This product may be covered by one or more issued U.S. and/or international patents and may include patent applications pending. For more information, please visit: BlackstoneProducts.com/patents



UNE CAUSE PRINCIPALE DES INCENDIES EST LE NON-RESPECT DES DÉGAGEMENTS REQUIS (ESPACES D'AIR) AUX MATÉRIAUX COMBUSTIBLES. IL EST DE LA PLUS GRANDE IMPORTANCE QUE CE PRODUIT SOIT INSTALLÉ UNIQUEMENT CONFORMÉMENT À CES INSTRUCTIONS.

MANUEL DU PROPRIÉTAIRE

GRIL À GRANULÉS 900 AVEC TABLETTE AVANT ESCAMOTABLE

TABLE DES MATIÈRES

INFORMATIONS DE SÉCURITÉ IMPORTANTES	02
GUIDE D'ASSEMBLAGE	04
INSTRUCTIONS D'UTILISATION	12
DÉPANNAGE	14
SERVICE CLIENT	15



Dernière version du manuel:
[BlackstoneProducts.com/support](https://blackstoneproducts.com/support)

IMPORTANT:

Ce manuel d'instructions contient des informations importantes nécessaires au montage correct et à l'utilisation en toute sécurité de l'appareil.

Lisez et suivez tous les avertissements et instructions avant d'assembler et d'utiliser l'appareil.

Suivez tous les avertissements et instructions lors de l'utilisation de l'appareil.

Conservez ce manuel pour référence ultérieure.

Installateur/Assembleur : Laisser ces instructions au consommateur.

CLÉ D'ALERTE DE SÉCURITÉ

⚠ DANGER

Indique une situation dangereuse qui, si elle n'est pas évitée, entraînera la mort ou des blessures graves.

⚠ ATTENTION

Indique une situation dangereuse qui, si elle n'est pas évitée, pourrait entraîner des blessures mineures ou modérées.

⚠ AVERTISSEMENT

Indique une situation dangereuse qui, si elle n'est pas évitée, peut entraîner la mort ou des blessures graves.

AVIS

Indique des informations considérées comme importantes, mais non liées à un danger (par exemple, des messages liés à des dommages matériels).

INFORMATIONS DE SÉCURITÉ IMPORTANTES

LISEZ TOUTES LES INSTRUCTIONS

⚠ DANGER

En cas d'incendie, éloignez-vous de l'appareil et appelez immédiatement les pompiers. **N'ESSAYEZ PAS de déplacer l'appareil, essayez d'éteindre le feu, mettez de l'eau sur le feu.**

Le non-respect de ces instructions pourrait entraîner un incendie ou des dommages matériels, des blessures ou la mort.

⚠ AVERTISSEMENT

N'UTILISEZ PAS d'essence, de combustible pour lanterne à essence, de kérosène, de liquide pour allume-charbon ou de liquides similaires pour allumer ou « raviver » un feu dans cet appareil. Gardez tous ces liquides à l'écart de l'appareil lors de son utilisation.

⚠ ATTENTION



Surface chaude. Ne touchez pas directement la poignée du seau à graisse lorsque l'appareil est en marche. Portez des gants de protection pour éviter les brûlures.

⚠ ATTENTION

Une mauvaise utilisation peut provoquer un incendie incontrôlé. Pour réduire les risques d'incendie:

- Le charbon de bois ou les combustibles similaires ne doivent pas être utilisés avec cet appareil.
- Ne stockez rien directement sur la surface de l'appareil lorsque l'appareil est en fonctionnement.
- Soyez extrêmement prudent lorsque vous retirez le plateau ou que vous jetez de la graisse chaude.
- Nettoyez les cendres du cendrier avant chaque utilisation.

Cet appareil est destiné à être utilisé à l'EXTÉRIEUR dans des applications domestiques et similaires telles que :

- Coins cuisine du personnel dans les magasins, bureaux et autres environnements de travail ;
- Fermes ;
- Par les clients des hôtels, motels et autres environnements de type résidentiel ;
- Environnements de type chambres d'hôtes.

REMARQUE: Cet équipement a été testé et déclaré conforme aux limites d'un appareil numérique de classe B, conformément à la partie 15 des règles de la FCC. Ces limites sont conçues pour fournir une protection raisonnable contre les interférences nuisibles dans une installation résidentielle. Cet équipement génère, utilise et peut émettre de l'énergie radiofréquence et, s'il n'est pas installé et utilisé conformément aux instructions, peut provoquer des interférences nuisibles aux communications radio. Cependant, rien ne garantit que des interférences ne se produiront pas dans une installation particulière. Si cet équipement provoque des interférences nuisibles à la réception radio ou télévision, ce qui peut être déterminé en éteignant et en allumant l'équipement, l'utilisateur est encouragé à essayer de corriger les interférences en prenant une ou plusieurs des mesures suivantes:

- Réorientez ou déplacez l'antenne de réception.
- Réorientez ou déplacez l'antenne de réception.
- Augmentez la séparation entre l'équipement et le récepteur.
- Connectez l'équipement à une prise sur un circuit différent de celui auquel le récepteur est connecté.
- Consultez le revendeur ou un technicien radio/TV expérimenté pour obtenir de l'aide. Radiateurs/radio involontaires.

Récepteurs - Marquages de vérification FCC : 47 CFR 15.19 (a)

Les changements ou modifications non expressément approuvés par la partie responsable de la conformité pourraient annuler le droit de l'utilisateur à utiliser cet appareil.

⚠ DANGER



RISQUE DE MONOXYDE DE CARBONE

Cet appareil peut produire du monoxyde de carbone qui est toxique et inodore.

Son utilisation dans un espace clos peut vous tuer. **N'utilisez jamais cet appareil dans un espace clos tel qu'un camping-car, une tente, une voiture ou une maison.**

⚠ DANGER

Les objets inflammables peuvent prendre feu s'ils sont placés à proximité de l'appareil.

Gardez la zone de l'appareil dégagée et exempte de matériaux combustibles, de contenants aérosols, d'essence et d'autres vapeurs et liquides inflammables.

⚠ AVERTISSEMENT

Une installation, une utilisation, un réglage, une altération, un service, une modification ou un entretien inappropriés peuvent provoquer des dommages matériels, des blessures graves, voire la mort. Reportez-vous à ce manuel.

- L'utilisation d'alcool, de médicaments sur ordonnance ou en vente libre peut nuire à la capacité du consommateur à assembler correctement ou à utiliser l'appareil en toute sécurité.
- Gardez les enfants et les animaux domestiques éloignés de l'appareil à tout moment.
- Ayez à portée de main un extincteur de type BC ou ABC.
- NE PAS utiliser à des fins autres que celles prévues.
- Pour usage domestique extérieur uniquement, pas pour un usage commercial.
- N'UTILISEZ PAS cet appareil comme appareil de chauffage.

Cet appareil est conforme à la section 15 de la réglementation de la FCC. Son utilisation est soumise aux deux conditions suivantes : (1) Cet appareil ne doit pas causer d'interférences nuisibles et (2) Cet appareil doit accepter toutes les interférences reçues, y compris celles pouvant entraîner un fonctionnement indésirable.

North Atlantic Imports, LLC 1073 W 1700 N Logan, UT 84321 USA
BlackstoneProducts.com



AMÉNAGEMENT DE VOTRE ESPACE EXTÉRIEUR

CET APPAREIL NE DOIT ÊTRE UTILISÉ QU'À L'EXTÉRIEUR SUR UNE SURFACE PLANE.

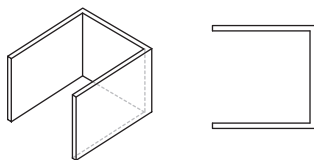
- N'UTILISEZ PAS cet appareil à l'intérieur de bâtiments, de garages ou de tout autre espace clos.
- N'INSTALLEZ PAS cet appareil dans ou sur un bateau.
- N'INSTALLEZ PAS cet appareil dans ou sur un véhicule récréatif.

ESPACES EXTÉRIEURS ABRITÉS:

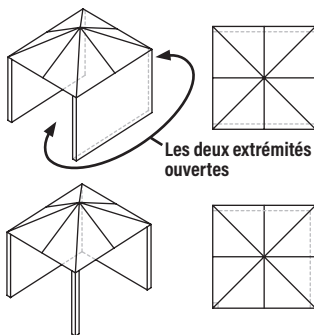
Toutes les ouvertures doivent être ouvertes en permanence ; les portes coulissantes, les portes de garage, les fenêtres ou les ouvertures grillagées ne sont pas considérées comme des ouvertures permanentes.

Un appareil est considéré comme étant à l'extérieur s'il est installé avec un abri ne dépassant pas:

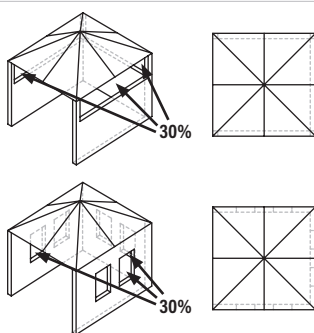
- a. Avec des murs sur trois côtés, mais sans couverture aérienne.



- b. À l'intérieur d'une enceinte partielle qui comprend un toit supérieur et pas plus de deux parois latérales. Les parois latérales peuvent être parallèles, comme dans un passage couvert, ou à angle droit l'une par rapport à l'autre.



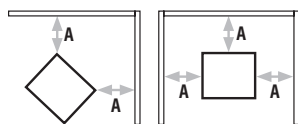
- c. À l'intérieur d'une enceinte partielle qui comprend un couvercle supérieur et trois parois latérales, tant que 30% ou plus de la périphérie horizontale de l'enceinte est ouverte en permanence.



La température ambiante minimale de fonctionnement est de 0°F (-18°C).

MAINTENIR DES DÉGAGEMENTS APPROPRIÉS PAR RAPPORT AUX MATÉRIaux COMBUSTIBLES :

- N'UTILISEZ PAS cet appareil sur ou sous un balcon ou une terrasse d'appartement ou de copropriété.
- NE PAS obstruer le flux d'air de combustion et de ventilation.



NE FAITES pas fonctionner cet appareil à moins de 36 po (1 m) des côtés et de l'arrière de l'appareil à une construction combustible.

A = 36 po (1 m)

- N'UTILISEZ PAS cet appareil sous une construction combustible suspendue.

SÉCURITÉ DES APPAREILS ÉLECTRIQUES

Cet appareil est adapté à une utilisation en extérieur.

POUR SE PROTÉGER CONTRE LES CHOCS ÉLECTRIQUES:

- Ne plongez pas le cordon ou les fiches dans l'eau ou tout autre liquide.
- Débranchez-le de la prise lorsqu'il n'est pas utilisé et avant le nettoyage. Laisser refroidir avant de mettre ou de retirer des pièces.
- Le cordon d'alimentation doit être régulièrement examiné pour détecter tout signe de dommage, et si le cordon est endommagé, l'appareil ne doit pas être utilisé.
- N'UTILISEZ PAS cet appareil avec un cordon ou une fiche endommagés ou après un dysfonctionnement de l'appareil ou a été endommagé de quelque manière que ce soit. Contactez le fabricant pour réparation.
- Ne laissez pas le cordon pendre du bord d'une table ou toucher des surfaces chaudes.
- Gardez tout cordon d'alimentation électrique et le tuyau d'alimentation en carburant éloignés des surfaces chauffées.
- Lors du branchement, branchez d'abord la fiche à l'appareil, puis à la prise.

L'APPAREIL DOIT ÊTRE CONNECTÉ UNIQUEMENT À UNE PRISE PROTÉGÉE PAR UN DISJONCTEUR DE FUITE À LA TERRE (GFCI).

- Appuyez sur le bouton TEST (puis sur le bouton RESET) chaque mois pour garantir un bon fonctionnement.
- L'appareil doit être connecté à une prise de courant dotée d'un contact de terre.
- Cet appareil, une fois installé, doit être mis à la terre conformément aux codes locaux ou, en l'absence de codes locaux, au Code national de l'électricité, ANSI/NFPA 70, ou au Code canadien de l'électricité, CSA C22.1.
- Ne retirez pas la fiche de mise à la terre et ne l'utilisez pas avec un adaptateur à 2 broches.
- Utilisez uniquement des rallonges avec une fiche de mise à la terre à 3 broches, conçues pour la puissance de l'équipement et approuvées pour une utilisation en extérieur avec un marquage W-A.

SÉCURITÉ DU GRIL À GRANULÉS

VEUILLEZ LIRE CE MANUEL EN ENTIER AVANT L'INSTALLATION ET L'UTILISATION DE CET APPAREIL À GRANULÉS. LE NON-RESPECT DE CES INSTRUCTIONS PEUT ENTRAÎNER DES DOMMAGES MATÉRIELS, DES BLESSURES CORPORELLES OU MÊME LA MORT.

CONTACTEZ LES RESPONSABLES LOCAUX DU BÂTIMENT OU DES POMPIERS AU SUJET DES RESTRICTIONS ET DES EXIGENCES D'INSPECTION D'INSTALLATION DANS VOTRE RÉGION.

CONSERVEZ CES INSTRUCTIONS.

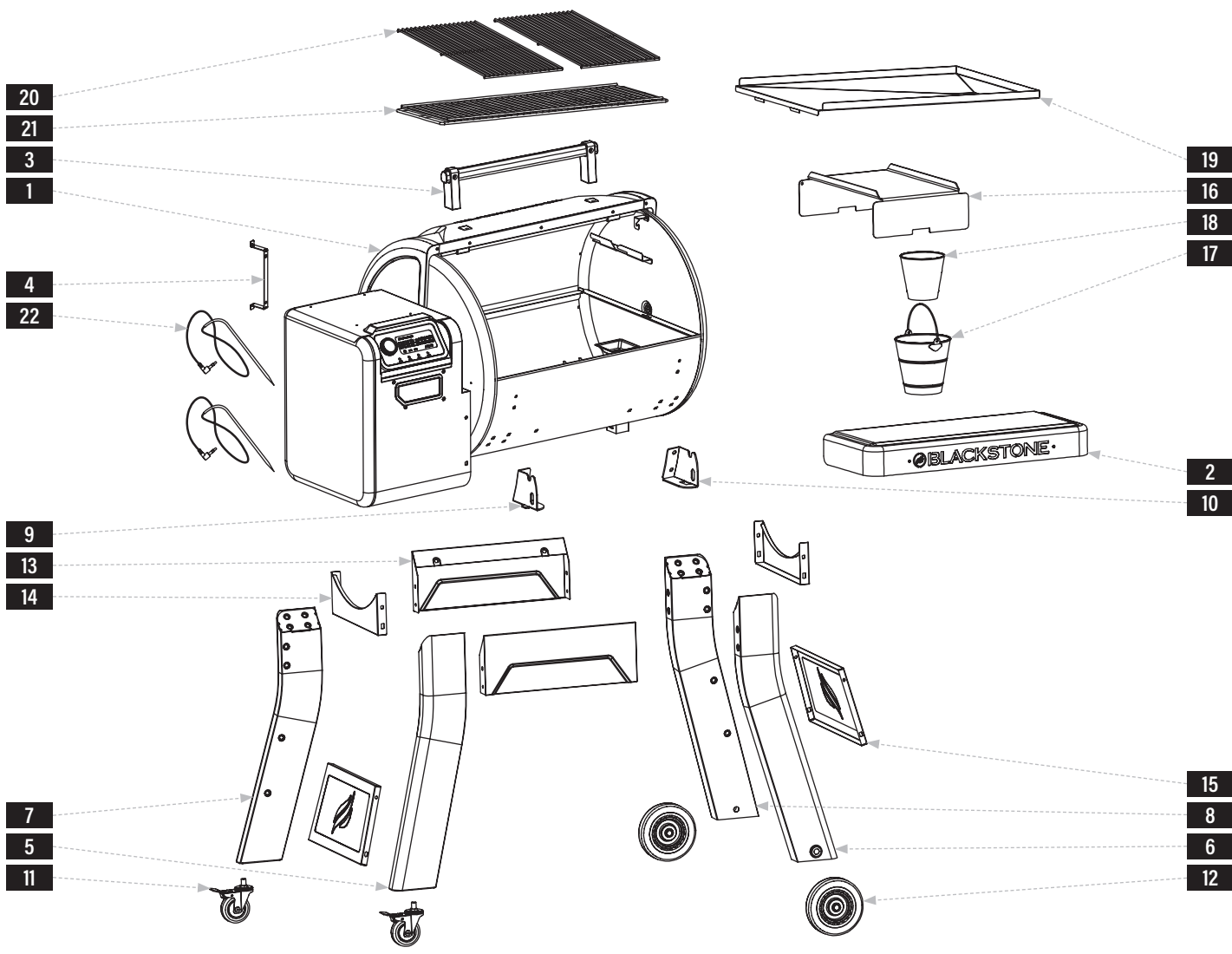
- La combustion du bois dégage du monoxyde de carbone qui peut provoquer la mort.
- NE PAS brûler de copeaux de bois à l'intérieur des maisons, des véhicules, des tentes, des garages ou dans tout espace clos.
- Utiliser uniquement à l'extérieur où il est bien ventilé.
- Suivez ces directives pour éviter que ce gaz incolore et inodore ne vous empoisonne, vous, votre famille ou d'autres personnes:
 - Connaître les symptômes d'une intoxication au monoxyde de carbone : maux de tête, étourdissements, faiblesse, nausées, vomissements, somnolence et confusion. Le monoxyde de carbone réduit la capacité du sang à transporter l'oxygène. Un faible taux d'oxygène dans le sang peut entraîner une perte de conscience et la mort.
 - Consultez un médecin si vous ou d'autres personnes développez des symptômes pseudo-grippaux en cuisinant à proximité de cet appareil. L'intoxication au monoxyde de carbone, qui peut facilement être confondue avec un rhume ou une grippe, est souvent détectée trop tard.
- La consommation d'alcool et la consommation de drogues augmentent les effets de l'intoxication au monoxyde de carbone.
- Le monoxyde de carbone est particulièrement toxique pour la mère et l'enfant pendant la grossesse, les nourrissons, les personnes âgées, les fumeurs et les personnes souffrant de problèmes sanguins ou circulatoires, tels que l'anémie ou une maladie cardiaque.

FRANÇAIS

GUIDE D'ASSEMBLAGE

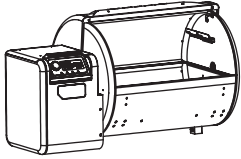


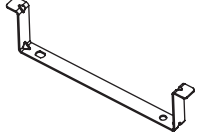
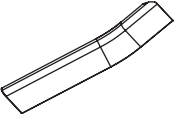

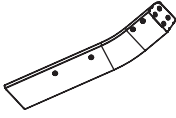
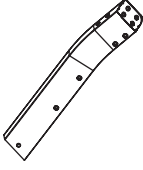





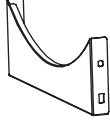

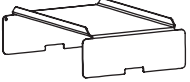


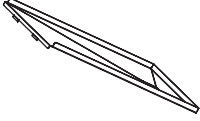
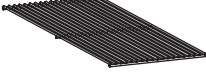

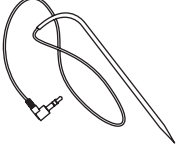
VUE ÉCLATÉE

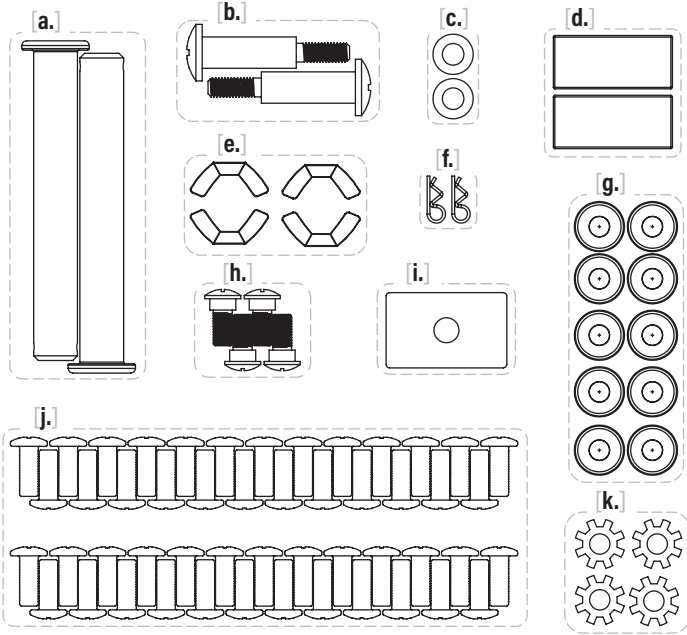
FRANÇAIS





LISTE DES PIÈCES

<p>1 Corps de pellet (1 pièce)</p> 	<p>2 Tablette avant (1 pièce)</p> 	<p>3 Poignée de baril (1 pièce)</p> 	<p>4 Support de cordon d'alimentation (1 pièce)</p> 		
<p>5 Jambe avant gauche (1 pièce)</p> 	<p>6 Jambe avant droite (1 pièce)</p> 	<p>7 Jambe arrière gauche (1 pièce)</p> 	<p>8 Jambe arrière droite (1 pièce)</p> 	<p>9 Support d'étagère avant gauche (1 pièce)</p> 	<p>10 Support d'étagère avant droit (1 pièce)</p> 
<p>11 Roulettes verrouillables (2 pièces)</p> 	<p>12 Roues fixes (2 pièces)</p> 	<p>13 Panneaux de baril (2 pièces)</p> 	<p>14 Panneaux latéraux du cadre (2 pièces)</p> 	<p>15 Panneaux latéraux avec logo (2 pièces)</p> 	<p>16 Déflecteur de chaleur (1 pièce)</p> 
<p>17 Seau à graisse (1 pièce)</p> 	<p>18 Revêtement de seau à graisse (1 pièce)</p> 	<p>19 Lèche-frite (1 pièce)</p> 	<p>20 Grilles de fumoir (2 pièces)</p> 	<p>21 Grille chauffante (1 pièce)</p> 	<p>22 Sondes de thermomètre (2 pièces)</p> 

<p>23 Pack matériel (1 pièce)</p> <ul style="list-style-type: none"> a. Axes d'axe de roue (2 pièces) b. Boulons étagés M6x40 (2 pièces) c. Rondelles (2 pièces) d. Coussinets en silicone (2 pièces) e. Noix papillon (4 pièces) f. Goupilles fendues de roue (2 pièces) g. Rondelles de boulons M6x16 (20 pièces) h. Boulons étagés M6x15 (4 pièces) i. Rondelles de poignée (2 pièces) j. Boulons M6x10 (50 pièces) k. Écrous de boulon M6x40 (8 pièces) 	
---	--

FRANÇAIS

INSTRUCTIONS DE MONTAGE

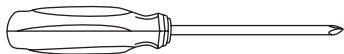
Trouvez une grande surface propre pour assembler votre appareil.
Retirez tous les matériaux d'emballage avant l'assemblage. (Il se peut que vous ayez du matériel supplémentaire ou de rechange après l'assemblage.)

⚠ ATTENTION

Bouts pointus. Portez des gants lors de l'assemblage.

⚠ ATTENTION

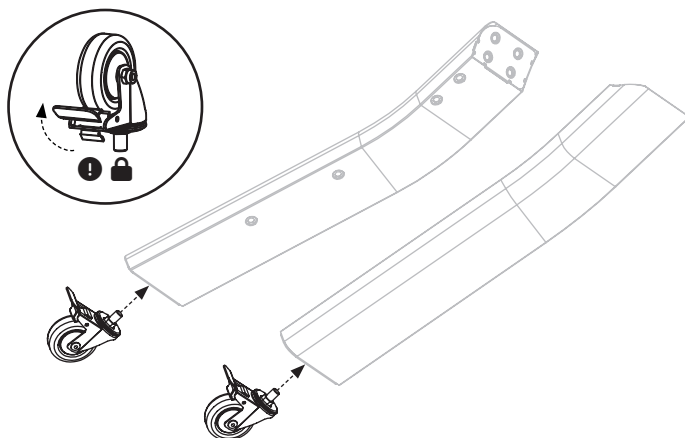
Morceaux lourds. Deux personnes doivent assembler cet appareil.



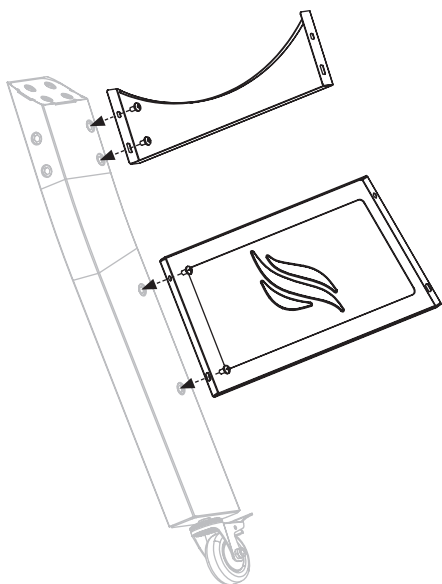
OUTIL NÉCESSAIRE:
Tournevis cruciforme n° 3

EXIGENCES ÉLECTRIQUES:
120V 60Hz

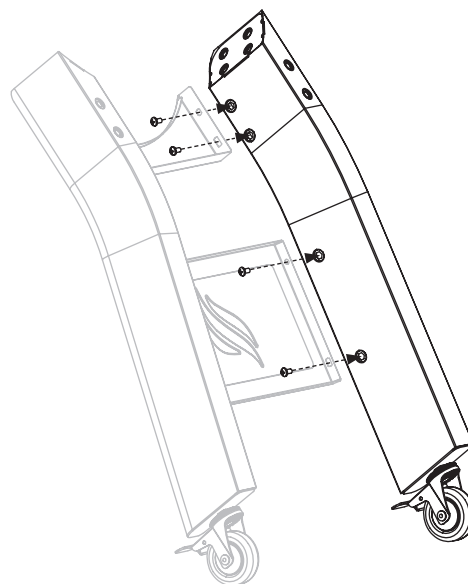
ÉTAPE 01 Vissez les deux (2) roulettes dans les pieds avant et arrière gauche.
(Assurez-vous que les roues sont verrouillées avant de les fixer.)



ÉTAPE 02 Utilisez quatre (4) boulons M6x10 [j.] pour fixer un (1) panneau latéral du cadre et un (1) panneau latéral avec logo au pied avant gauche.

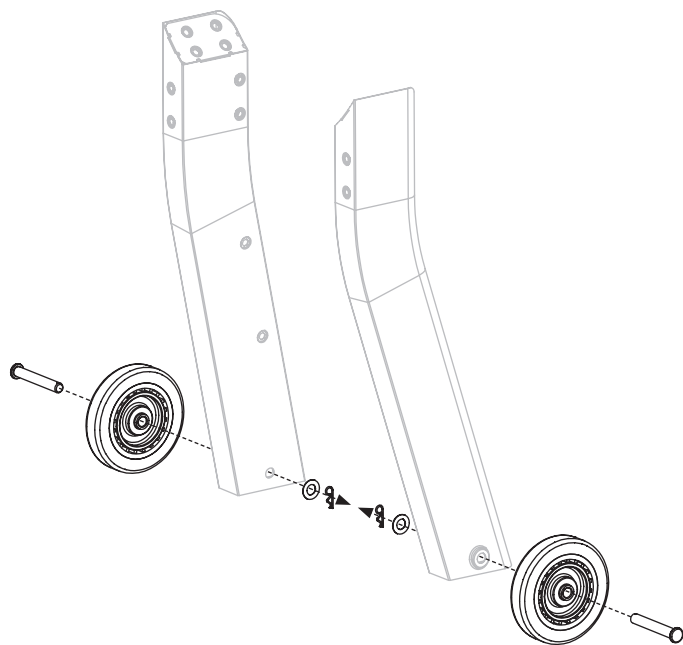


ÉTAPE 03 Utilisez quatre (4) boulons M6x10 [j.] pour fixer le pied arrière gauche à l'ensemble de pied avant gauche.

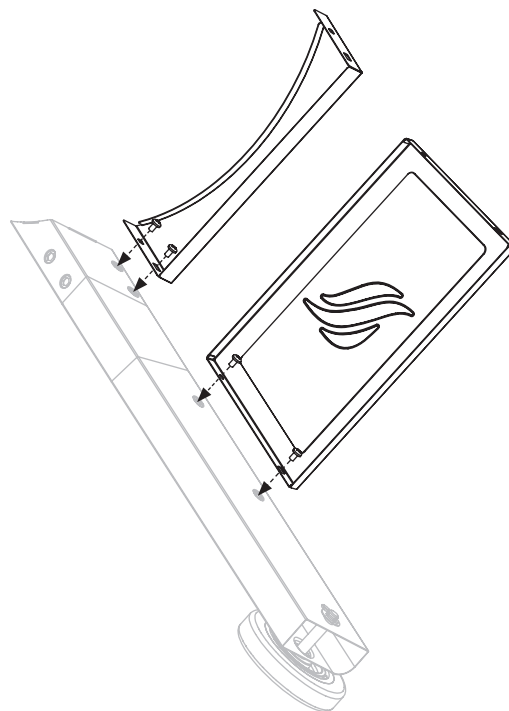




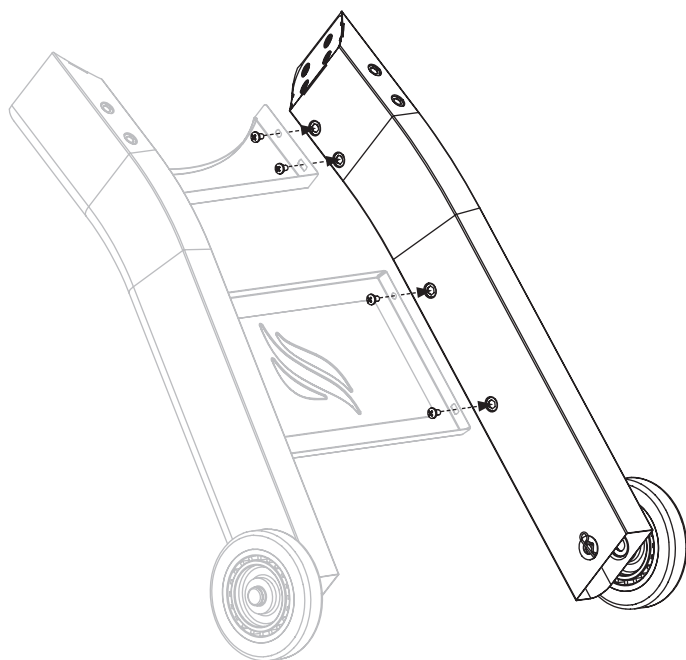
ÉTAPE 04 Utilisez une (1) goupille d'axe de roue [a.], une (1) rondelle [c.] et une (1) goupille fendue de roue [f.] pour fixer une (1) roue fixe au pied avant droit. Répétez avec la jambe arrière droite.



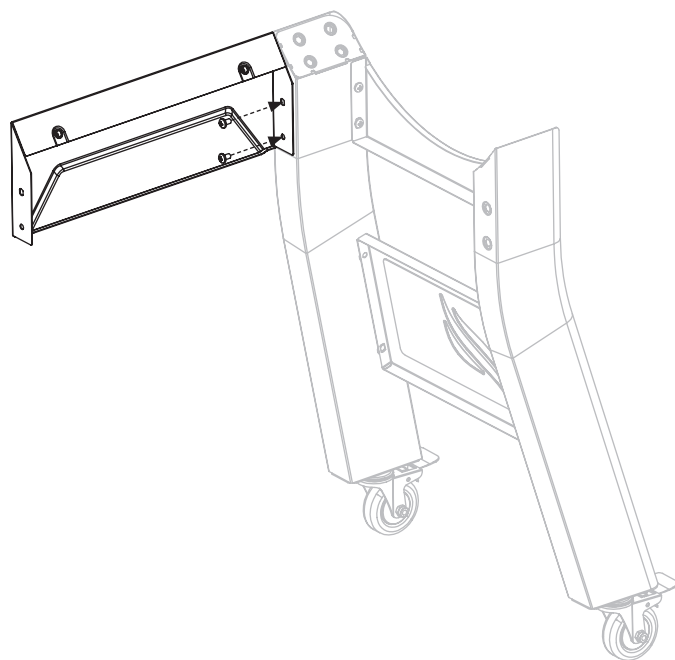
ÉTAPE 05 Utilisez quatre (4) boulons M6x10 [j.] pour fixer un (1) panneau latéral du cadre et un (1) panneau latéral avec logo au pied arrière droit.



ÉTAPE 06 Utilisez quatre (4) boulons M6x10 [j.] pour fixer le pied avant droit à l'ensemble de pied arrière droit.

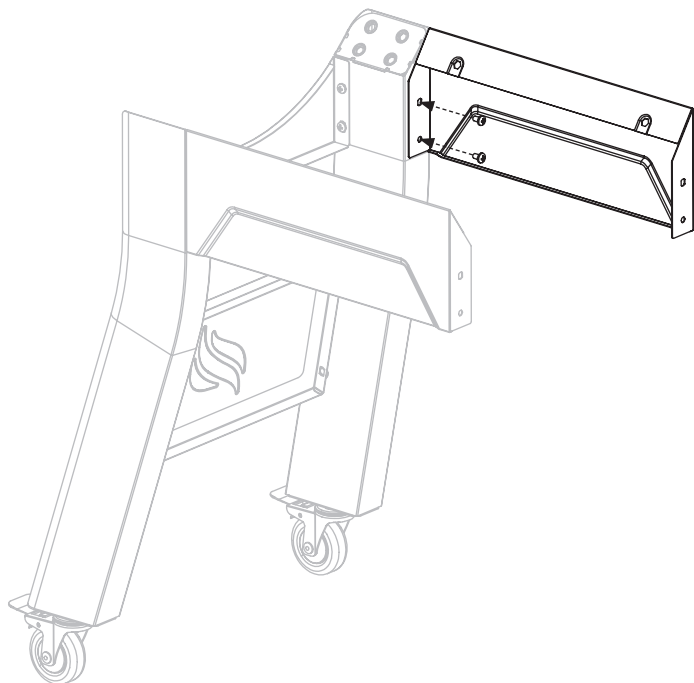


ÉTAPE 07 Utilisez deux (2) boulons M6x10 [j.] pour fixer un (1) panneau de canon au pied avant gauche.

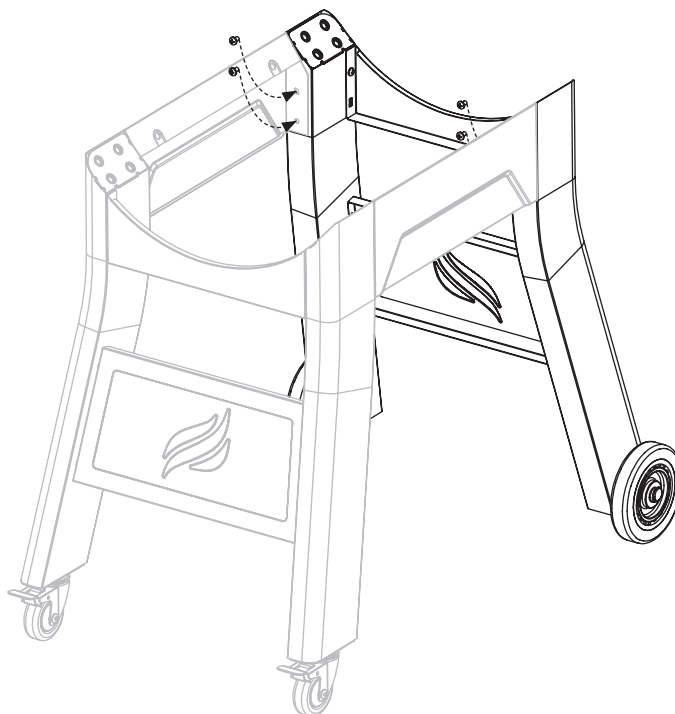


FRANÇAIS

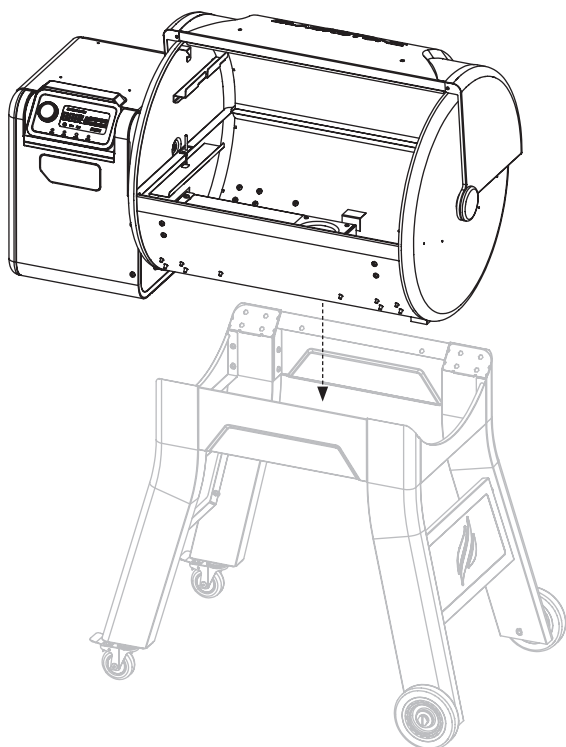
ÉTAPE 08 Utilisez deux (2) boulons M6x10 [j.] pour fixer un (1) panneau de canon au pied arrière gauche.



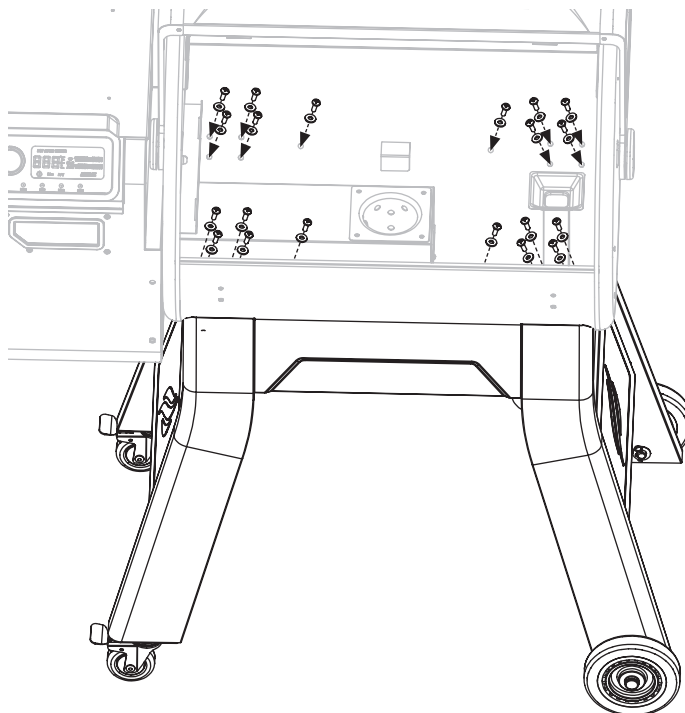
ÉTAPE 09 Utilisez quatre (4) boulons M6x10 [j.] pour fixer l'ensemble de pied droit aux panneaux du canon.



ÉTAPE 10 Avec l'aide d'une autre personne, placez le corps du pellet sur le pied.

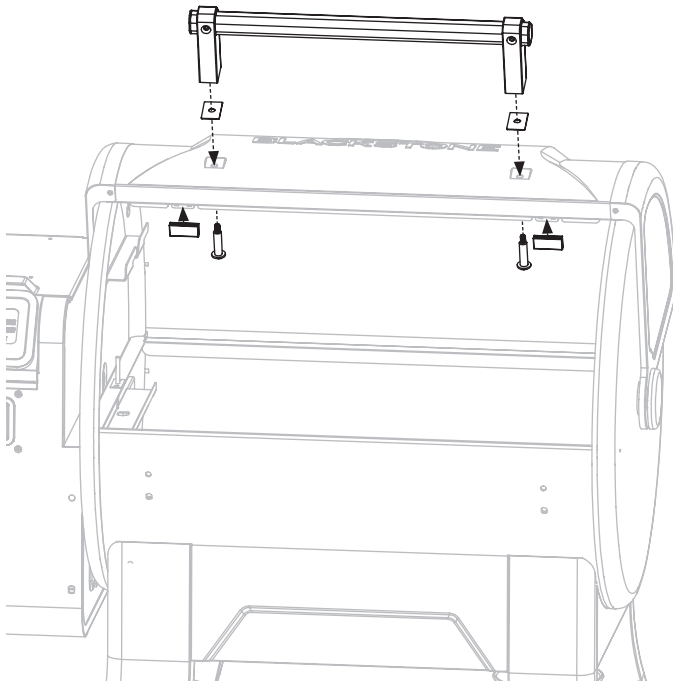


ÉTAPE 11 Utilisez vingt (20) boulons M6x10 [j.] et vingt (20) rondelles de boulons M6x16 [g.] pour fixer le canon aux pieds et aux panneaux du canon.



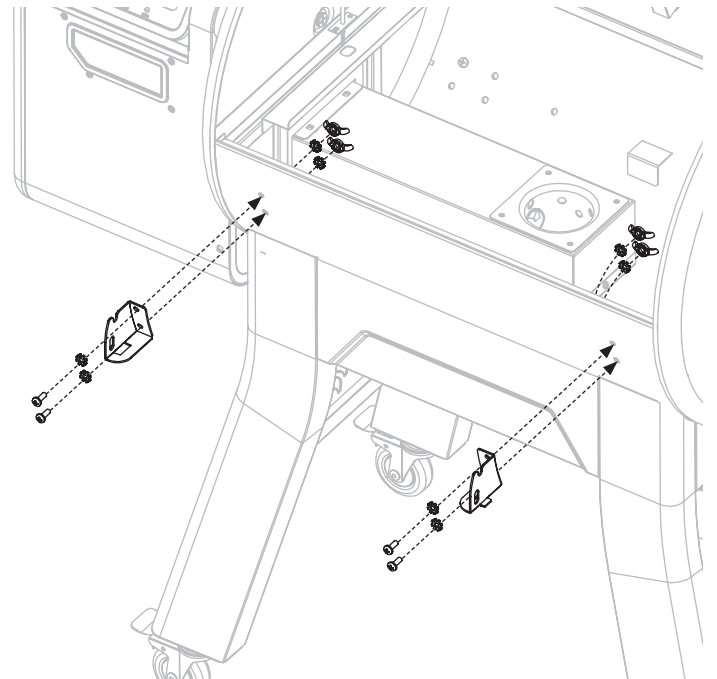


ÉTAPE 12 Utilisez deux (2) boulons étagés M6x40 [b.] pour fixer la poignée du canon et deux (2) rondelles de poignée [i.] au couvercle du canon. Insérez deux (2) coussinets en silicone [d.] dans le couvercle.

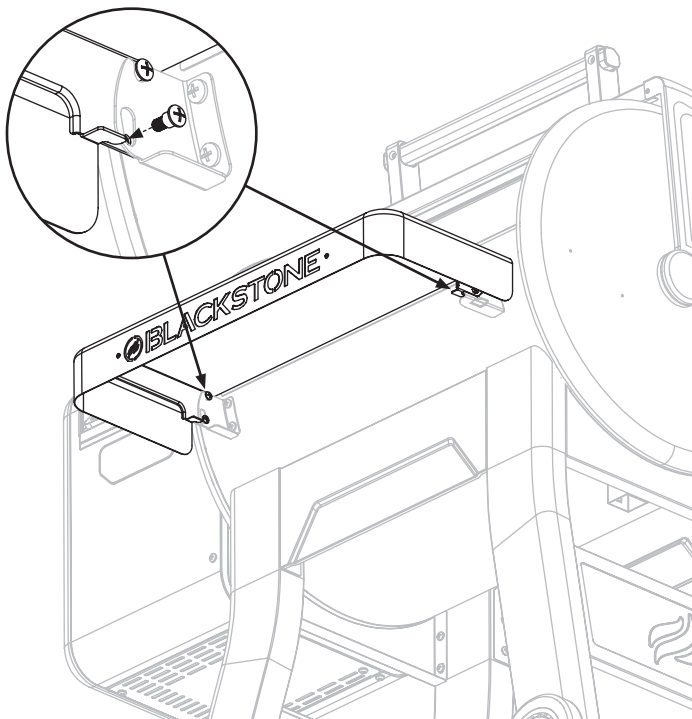


ÉTAPE 13 Utilisez deux (2) boulons M6x10 [j.], quatre (4) écrous de boulons M6x40 [k.] et deux (2) écrous papillon [e.] pour fixer le support de tablette avant gauche sur le canon.

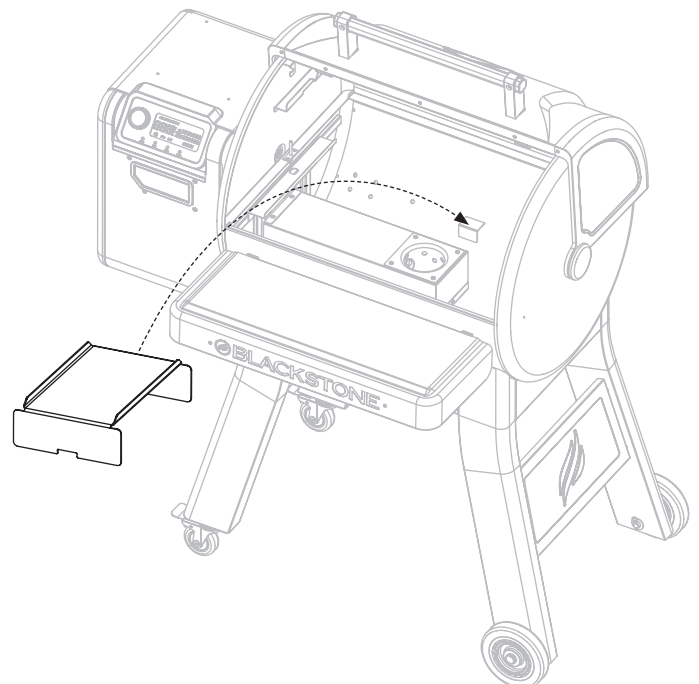
Utilisez deux (2) boulons M6x10 [j.], quatre (4) écrous de boulons M6x40 [k.] et deux (2) écrous papillon [e.] pour fixer le support de tablette avant droit sur le canon.



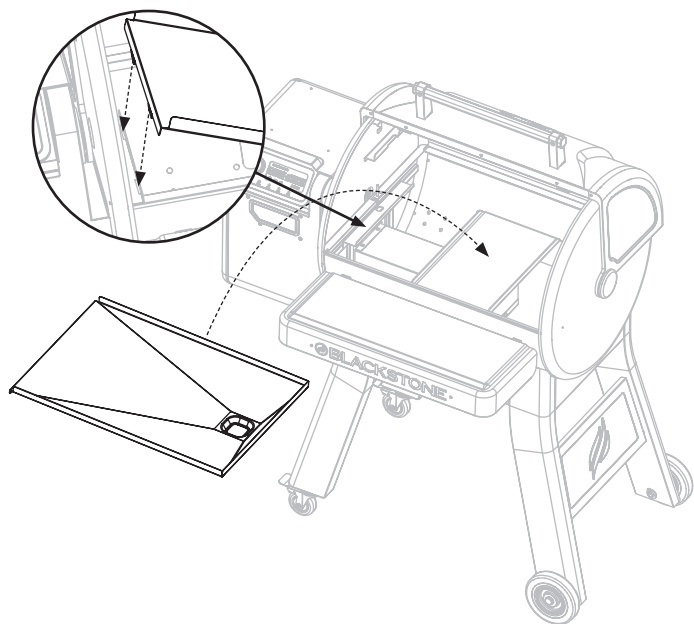
ÉTAPE 14 Accrochez l'étagère avant aux supports d'étagère avant et utilisez quatre (4) boulons étagés M6x15 [h.] pour la fixer.



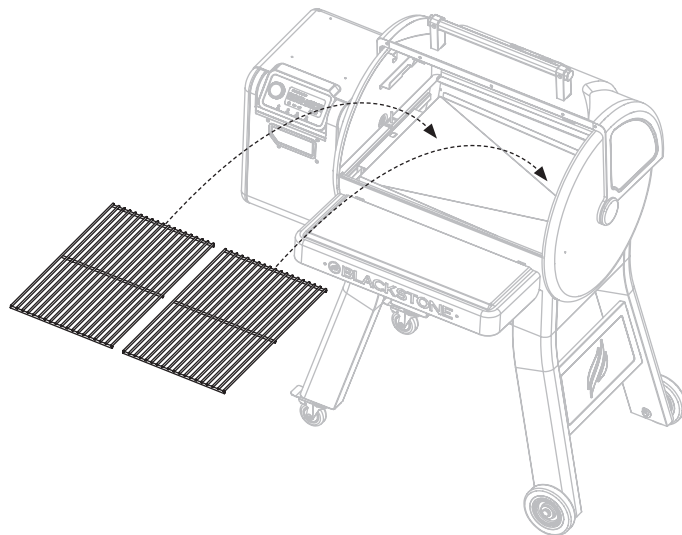
ÉTAPE 15 Placez le déflecteur thermique dans le canon. (Les encoches doivent reposer sur les supports.)



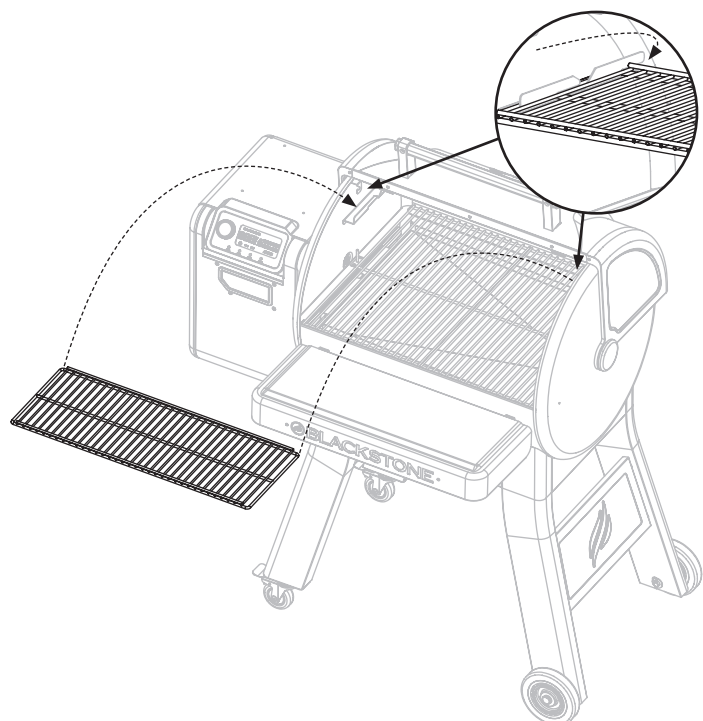
ÉTAPE 16 Placez la lèchefrite dans le baril. Alignez les languettes du bac d'égouttage dans les fentes du rebord du canon.



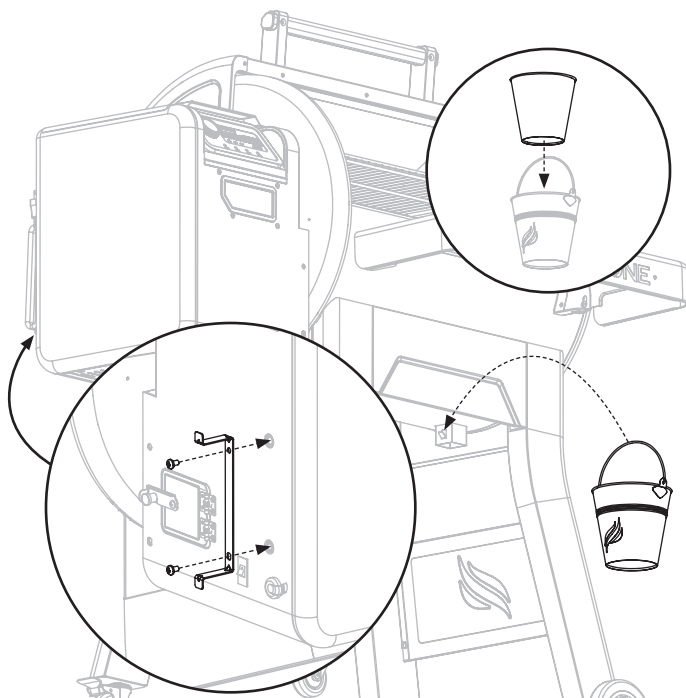
ÉTAPE 17 Placez les deux grilles du fumoir dans le baril.



ÉTAPE 18 Placez la grille chauffante sur le support supérieur.



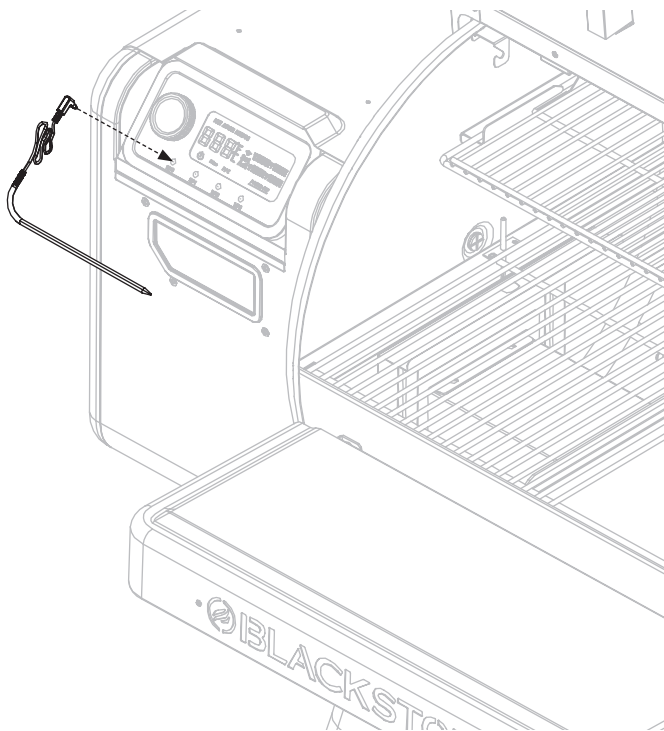
ÉTAPE 19 Placez le revêtement du seau à graisse dans le seau à graisse. Accrochez le seau à graisse au crochet sous le canon. Utilisez deux (2) boulons M6x10 [j.] pour fixer le support du cordon d'alimentation à l'arrière de la trémie.



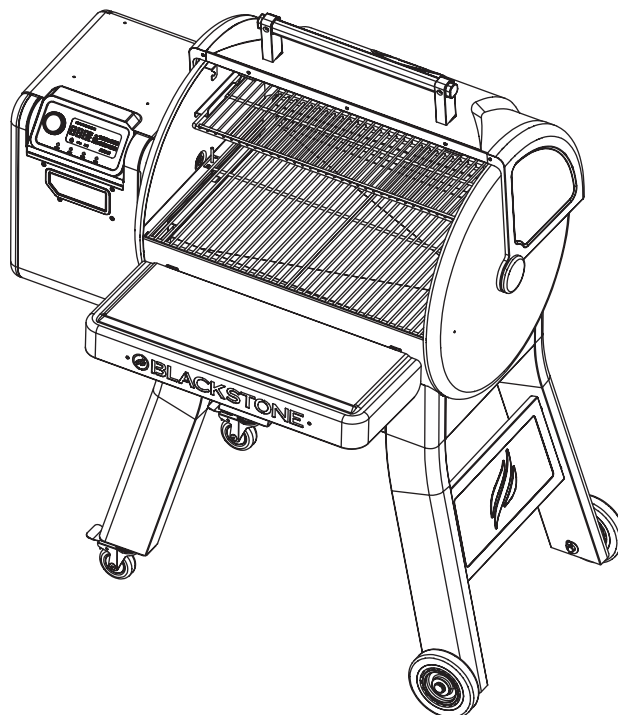
FRANÇAIS



ÉTAPE 20 Branchez la ou les sondes du thermomètre sur le panneau de commande du gril à granulés.



ÉTAPE 21 Passez aux **INSTRUCTIONS D'UTILISATION**.



INSTRUCTIONS D'UTILISATION

COMMENT UTILISER VOTRE GRIL À GRANULÉS

⚠ AVERTISSEMENT

NE PAS utiliser sur des sols combustibles, à moins que le sol ne soit protégé par des surfaces non combustibles approuvées pour une telle utilisation par l'autorité compétente.

1. CHARGER LA TRÉMIE:

ÉTAPE 01 Assurez-vous que la doublure est en place pour le seau à graisse et le bac d'égouttage.

ÉTAPE 02 Branchez le cordon électrique et appuyez sur l'interrupteur d'alimentation principal situé à l'arrière du gril.

ÉTAPE 03 Alimentez les granulés dans la trémie.

- Utilisez uniquement des granulés de bois dur à 100 % de qualité alimentaire avec une valeur calorifique moyenne de 8 000 à 8 770 BTU/lb et une teneur en cendres de <1 %. Utilisez uniquement selon les instructions du fabricant.
- N'UTILISEZ PAS de combustible à granulés étiqueté comme contenant des additifs.
- NE PAS exposer les pellets à l'humidité. Les pellets doivent être stockés à l'intérieur dans un récipient scellé.
- Rangez toujours les granulés de bois à l'écart des appareils produisant de la chaleur et autres contenants de combustible.

IMPORTANT: Videz la trémie (nettoyez tous les granulés) depuis la porte d'accès arrière de la trémie après chaque utilisation pour éviter tout problème de bourrage de granulés dû à l'humidité de l'air.

2. ALLUMAGE DU GRIL À GRANULÉS:



ÉTAPE 01 Ouvrez le capot.

ÉTAPE 02 Appuyez sur [Power] pour allumer.

ÉTAPE 03 Appuyez sur [Prime] et maintenez-le enfoncé pendant deux (2) secondes pour activer la fonction d'alimentation continue. La vis sans fin fonctionnera automatiquement pendant environ 4 minutes jusqu'à ce que les granulés tombent dans le creuset.

Remarque: appuyez sur [Prime] pour arrêter la fonction d'alimentation continue.

ÉTAPE 04 Appuyez sur le bouton de contrôle de la température [Temp] pour accéder à l'interface de réglage de la température.

Remarque: appuyez sur [F/C] pour basculer entre les types d'affichage Fahrenheit ou Celsius.

ÉTAPE 05 Tournez le bouton pour régler la température du four.

Remarque: la plage de température est S, 185°F (85°C) - 490°F (254°C), H.

ÉTAPE 06 Appuyez à nouveau sur le bouton du bouton pour déterminer la température réglée.

ÉTAPE 07 Une fois que le gril est en marche et que la fumée a cessé de s'échapper, fermez le capot jusqu'à ce que le gril atteigne la température réglée.

PROCESSUS DE COMBUSTION (AVANT LA PREMIÈRE UTILISATION)

Brûlez les huiles de fabrication ou toute accumulation dans un fumeur qui a été stocké pendant un certain temps.

ÉTAPE 01 Réglez la température à 350 °F (177 °C).

ÉTAPE 02 Courez pendant 20 min.

ÉTAPE 03 Augmentez la température à 450°F (230°C).

ÉTAPE 04 Courez pendant 35 min.

ÉTAPE 05 Éteignez, mais ne débranchez pas tant que le ventilateur n'a pas fini de fonctionner.

POUR ÉTEINDRE LE GRIL À GRANULÉS :

ÉTAPE 01 Appuyez sur [Power] et maintenez-le enfoncé pendant deux (2) secondes pour accéder au mode d'arrêt. ([POWER OFF] s'allume, la tige d'allumage du moteur s'éteint et le ventilateur fonctionne pendant 10 minutes.)

ÉTAPE 02 Éteignez l'interrupteur principal avant de ranger ou de mettre le couvercle.



PENDANT LA CUISSON

- Retirez les casseroles et les poêles lorsque le gril est sans surveillance, afin de réduire le risque d'incendie.
- N'UTILISEZ PAS d'accessoires non spécifiés pour une utilisation avec cet appareil.
- Appuyez sur le bouton de commande de température [Temp] pour basculer entre les affichages de température [Set] (la valeur de température définie) et [Act] (la température réelle du four).

SONDES ET VOYANTS DE TÂCHE

- Lorsqu'elle est active, l'icône de tâche correspondante s'allume. ([FAN], [AUGER], [IGNITOR])
- Lorsque les sondes sont connectées, la valeur de température et le caractère [F/C] de la sonde correspondante s'affichent.

L'APPLICATION 'BLACKSTONE CONNECT' 📶

(Disponible sur iOS et Android)

- Réglez et vérifiez la température du canon et des sondes.
- Réglez et vérifiez la minuterie.
- Éteignez le gril à partir de votre appareil mobile.

⚠ ATTENTION

Cet appareil sera chaud pendant et après son utilisation. Utilisez des ustensiles à long manche et des gants de cuisine/de protection lorsque vous manipulez des pièces potentiellement chaudes, y compris les poignées proches du corps de l'appareil, pour vous protéger contre les brûlures et les éclaboussures.

RECETTES ET CONSEILS DE CUISINE

🌐 BlackstoneProducts.com/recipes

📺 youtube.com/BlackstoneGriddles

📱 [@blackstoneproducts](https://www.instagram.com/blackstoneproducts)



**STEAK AU FROMAGE DE
POULET FUMÉ**
Gril à pellets

- 1 à 2 lb de granulés par heure pour les cuissons lentes et lentes.
- 4 lb de granulés par heure pour les cuissons chaudes et rapides.
- Pour la viande grasse, placez la viande sur la grille supérieure et un bac à eau sur la grille inférieure pour recueillir les jus de cuisson et garder la viande humide.

⚠ AVERTISSEMENT

L'accumulation de graisse peut provoquer un incendie. Nettoyez toute partie de l'appareil qui devient chaude et qui subit une accumulation de graisse après chaque utilisation.

⚠ ATTENTION

Tout le nettoyage et l'entretien doivent être effectués lorsque l'appareil est froid et que tout est éteint.

- N'UTILISEZ PAS de tampon abrasif sur les zones comportant des graphiques.
- Si une brosse à poils est utilisée pour nettoyer l'une des surfaces de cuisson, assurez-vous qu'aucun poil lâche ne reste sur les surfaces de cuisson avant la cuisson.

CORPS DE L'APPAREIL:

Laver à l'eau tiède savonneuse et essuyer immédiatement avec un chiffon non abrasif. (Ne laissez pas les agents de nettoyage reposer sur une surface poreuse pendant une période prolongée.)

AVIS

N'UTILISEZ PAS de Citrisol, de nettoyants abrasifs ou de nettoyant concentré sur l'appareil. Cela peut entraîner des dommages et une défaillance des pièces.

STOCKAGE D'APPAREILS

⚠ AVERTISSEMENT

Ne déplacez pas l'appareil pendant son utilisation. Laissez l'appareil refroidir à 115°F (45°C) avant de le déplacer ou de le ranger.

Couvrez votre appareil avec une housse rigide ou souple ou un sac de transport (le cas échéant) lorsqu'il est stocké à l'extérieur. NE PAS stocker là où l'eau s'accumule.



TROUVER MA COUVERTURE

BlackstoneProducts.com

- Couvertures
- Porter des sacs

⚠ AVERTISSEMENT

Ne nettoyez pas avec des tampons à récurer métalliques. Des morceaux peuvent se détacher du patin et toucher des pièces électriques, créant ainsi un risque de choc électrique.

NETTOYAGE À L'INTÉRIEUR DE LA CHAMBRE DU FOUR

Conseil de nettoyage : commencez par le haut et continuez vers le bas.

ÉTAPE 01 Utilisez un grattoir en plastique pour enlever les dépôts épais de graisse sur les parois du four, puis sur les grilles.

Les débris doivent tous aller sur la doublure en aluminium de la lèche-frite.

ÉTAPE 02 Utilisez un épurateur non abrasif et anti-rayures (nylon) pour pénétrer dans les fissures et les crevasses.

ÉTAPE 03 Retirez le déflecteur de chaleur/le pare-flammes.

ÉTAPE 04 Utilisez un aspirateur d'atelier ou un aspirateur à cendres pour passer l'aspirateur à l'intérieur du four, en particulier dans le pot à feu.

ÉTAPE 05 Utilisez un dégraissant et une serviette en papier solide pour essuyer les surfaces.

ÉTAPE 06 Videz le bac à graisse.

NETTOYAGE EN PROFONDEUR

CRÉOSOTE - FORMATION ET BESOIN D'ÉLIMINATION.

- Lorsque les granulés de bois sont brûlés lentement, ils produisent du goudron et d'autres vapeurs organiques qui se combinent avec l'humidité expulsée pour former de la créosote. Les vapeurs de créosote se condensent dans une cheminée de four relativement froide et une hotte d'évacuation d'un feu à combustion lente. En conséquence, des résidus de créosote s'accumulent sur le revêtement du conduit de fumée et la hotte d'évacuation. Lorsqu'elle est enflammée, cette créosote produit un feu extrêmement chaud.
- Le conduit de graisse doit être inspecté au moins deux fois par an pour déterminer quand une accumulation de graisse et/ou de créosote s'est produite.
- Lorsque de la graisse ou de la créosote s'est accumulée, elle doit être enlevée pour réduire le risque d'incendie.

ÉTAPE 01 Spray dégraissant sur les grilles et à l'intérieur de la cheminée

ÉTAPE 02 Retirez les grilles et utilisez une brosse non abrasive pour les nettoyer.

ÉTAPE 03 Essuyez avec une serviette en papier solide.

ÉTAPE 04 Retirez le déflecteur de chaleur/le pare-flammes.

ÉTAPE 05 Passer l'aspirateur à l'intérieur du four, tous les coins et recoins.

ÉTAPE 06 Utilisez une brosse à long manche pour nettoyer l'intérieur de la cheminée

ÉTAPE 07 Vaporiser les parois et le couvercle du four avec un dégraissant.

ÉTAPE 08 Essuyez avec des serviettes en papier solides (y compris la sonde de température TRÈS SOIGNEUSEMENT).

ÉTAPE 09 Réinsérez les nouveaux revêtements, remplacez les grilles.

ÉLIMINATION DES CENDRES

Les cendres doivent être placées dans un récipient en métal avec un couvercle hermétique. Le contenant fermé de cendres doit être placé sur un plancher incombustible ou sur le sol, loin de tout matériau combustible, en attendant l'élimination finale. Lorsque les cendres sont éliminées par enfouissement dans le sol ou autrement dispersées localement, elles doivent être conservées dans le récipient fermé jusqu'à ce que toutes les cendres aient complètement refroidi.

FRANÇAIS

DÉPANNAGE

AFFICHAGES D'ERREUR DU GRIL À GRANULÉS:

ERP

CAUSES POSSIBLES

Court-circuit, circuit ouvert ou capteur de température déconnecté.

LA SOLUTION

Contactez le service client.

ERH

Erreur de température élevée

CAUSES POSSIBLES

Température du gril supérieure à 615 °F (324 °C).

LA SOLUTION

Éteignez l'appareil.

ERL

Erreur de température basse

CAUSES POSSIBLES

- Échec de l'allumage.
- La température du mode de fonctionnement chute en dessous de 49 °C (120 °F) et l'allumage échoue à nouveau.

LA SOLUTION

Assurez-vous que le creuset est amorcé et qu'il y a des granulés dans la trémie.



SERVICE CLIENT

CONTACTEZ-NOUS

Pour toutes questions, demandes de renseignements ou assistance client, veuillez nous contacter à l'adresse suivante:

ÉTATS-UNIS ET CANADA DES BLACKSTONE PRODUCTS

➔ BlackstoneProducts.com/support

- Du lundi au vendredi | 7h00 - 17h00 (MST/MDT)
- Anglais et Espagnol

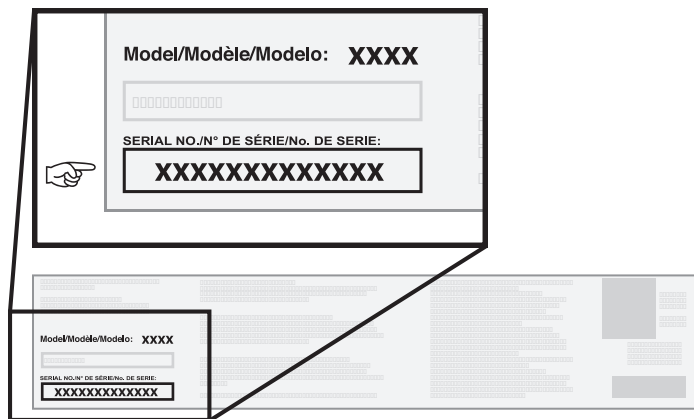
Veuillez nous contacter avant de retourner cet appareil à votre revendeur.

*Check BlackstoneProducts.com pa oranan adicional.

EMPLACEMENT DU NUMÉRO DE SÉRIE

Pour activer votre garantie, vous devrez fournir le numéro de série de votre appareil.

Le numéro de série se trouve sur l'étiquette du fabricant de votre appareil. (L'étiquette du fabricant est un grand autocollant argenté apposé sur le corps de votre appareil.)



LIVRE DE RECETTES
ÉLECTRONIQUE
GRATUIT
LORS DE VOTRE INSCRIPTION



GARANTIE UN AN

North Atlantic Imports, LLC garantit ce produit contre les défauts de matériaux et de fabrication pendant une période d'un (1) an à compter de la date d'achat originale dans des conditions normales d'utilisation. Dans la mesure où de tels défauts se produisent, North Atlantic Imports, LLC, à sa discrétion, fournira gratuitement la ou les pièces de remplacement appropriées.

En aucun cas North Atlantic Imports, LLC ne sera responsable des dommages consécutifs, indirects ou accessoires résultant de l'installation, de l'utilisation ou de la défaillance du produit.

Cette garantie NE couvre PAS:

- Frais d'inspection ou de main d'œuvre pour le remplacement de toute pièce défectueuse;
- Défauts cosmétiques qui n'affectent pas les performances ou l'intégrité du produit;
- L'usure normale;
- Dommages dus au vandalisme ; les catastrophes naturelles, y compris, mais sans s'y limiter, le vent, les tempêtes, la grêle et les inondations;
- Un assemblage, une installation ou une utilisation inappropriés;
- Décoloration ou décoloration de la finition résultant d'une exposition à des produits chimiques, à des déversements, à l'eau de piscine ou à l'eau salée;
- Corrosion/rouille.

Ce produit a été conçu pour la sécurité et la qualité. Toute modification apportée au produit d'origine pourrait compromettre son intégrité structurelle ou sa fonction et entraîner une défaillance du produit ou des blessures. En tant que tel, la modification de ce produit annule toutes les garanties.

Ce produit est destiné à un USAGE RÉSIDENTIEL UNIQUEMENT et n'est pas destiné à des fins commerciales, contractuelles ou autres fins non résidentielles. North Atlantic Imports, LLC décline toute autre représentation et garantie de quelque nature que ce soit, expresse ou implicite.

La garantie s'applique à l'acheteur d'origine et n'est pas transférable. Elle ne s'applique pas aux accessoires ou pièces non fournis avec le produit, aux achats de modèles d'exposition ou aux produits vendus en liquidation ou « tels quels ». Vous pouvez cependant bénéficier d'autres droits légaux spécifiques basés sur les lois de votre état ou pays de résidence.

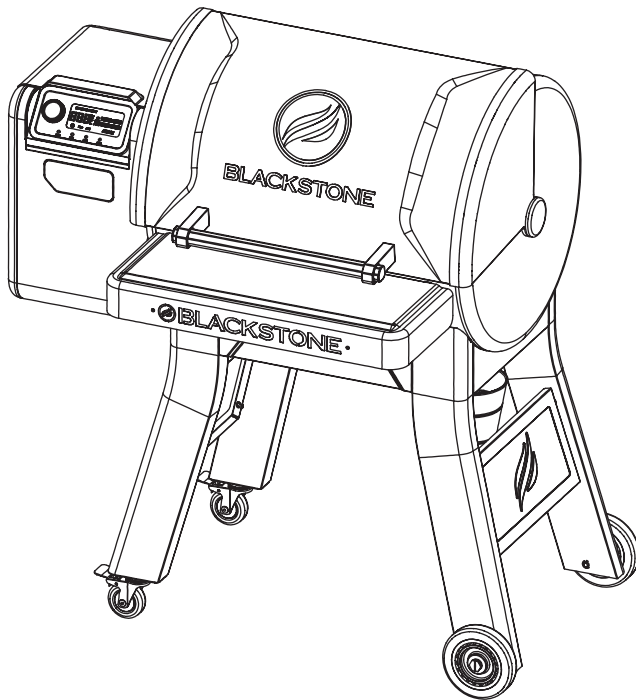
Pour activer votre garantie, enregistrez votre produit sur

BlackstoneProducts.com/register

North Atlantic Imports, LLC se réserve le droit de changer ou de modifier cette garantie à tout moment.



Ce produit peut être couvert par un ou plusieurs brevets américains et/ou internationaux délivrés et peut inclure des demandes de brevet en instance. Pour plus d'informations, rendez-vous sur: BlackstoneProducts.com/patents



UNA DE LAS CAUSAS PRINCIPALES DE LOS INCENDIOS ES LA FALTA DE MANTENER LOS ESPACIOS LIBRES REQUERIDOS (ESPACIOS DE AIRE) A LOS MATERIALES COMBUSTIBLES. ES DE SUMA IMPORTANCIA QUE ESTE PRODUCTO SE INSTALE ÚNICAMENTE DE ACUERDO CON ESTAS INSTRUCCIONES.

MANUAL DEL PROPIETARIO

PARRILLA DE PELLETS 900 CON ESTANTE FRONTAL PLEGABLE

TABLA DE CONTENIDO

INFORMACION DE SEGURIDAD IMPORTANTE	02
GUÍA DE MONTAJE.....	04
INSTRUCCIONES DE OPERACIÓN	12
SOLUCIÓN DE PROBLEMAS.....	14
ATENCIÓN AL CLIENTE.....	15



Última versión del manual:
BlackstoneProducts.com/support

IMPORTANTE:

Este manual de instrucciones contiene información importante necesaria para el correcto montaje y uso seguro del aparato.

Lea y siga todas las advertencias e instrucciones antes de ensamblar y usar el aparato.

Siga todas las advertencias e instrucciones cuando utilice el aparato.

Guarde este manual para referencia futura.

Instalador/Ensamblador: Deje estas instrucciones con el consumidor.

CLAVE DE ALERTA DE SEGURIDAD

⚠ PELIGRO

Indica una situación peligrosa que, si NO SE evita, provocará la muerte o lesiones graves.

⚠ ATENCIÓN

Indica una situación peligrosa que, si NO SE evita, podría provocar lesiones leves o moderadas.

⚠ ADVERTENCIA

Indica una situación peligrosa que, si NO SE evita, podría provocar la muerte o lesiones graves.

AVISO

Indica información que se considera importante, pero no relacionada con peligros (por ejemplo, mensajes relacionados con daños a la propiedad).

INFORMACION DE SEGURIDAD IMPORTANTE

LEE TODAS LAS INSTRUCCIONES

⚠ PELIGRO

Si se produjera un incendio, manténgase alejado del aparato y llame inmediatamente a los bomberos. **NO INTENTE** mover el aparato, trate de sofocar el fuego, eche agua al fuego.

El incumplimiento de estas instrucciones podría provocar incendios, daños a la propiedad, lesiones personales o la muerte.

⚠ ADVERTENCIA

NO UTILICE gasolina, combustible para linternas tipo gasolina, queroseno, líquido para encendedor de carbón ni líquidos similares para iniciar o "refrescar" un fuego en este electrodoméstico. Mantenga todos estos líquidos lejos del aparato cuando esté en uso.

⚠ ATENCIÓN



Superficie caliente. No toque directamente el mango del cubo de grasa mientras el aparato esté encendido. Utilice guantes protectores para evitar quemaduras.

⚠ ATENCIÓN

Un uso inadecuado puede provocar un incendio incontrolado. Para reducir el riesgo de incendio:

- NO SE debe utilizar carbón ni combustibles similares con este aparato.
- No almacene nada directamente encima de la superficie del aparato cuando el aparato esté en funcionamiento.
- Tenga mucho cuidado al retirar la bandeja o desechar la grasa caliente.
- Limpie las cenizas del cajón de cenizas antes de cada uso.

Este aparato está diseñado para usarse AL AIRE LIBRE en aplicaciones domésticas y similares, tales como:

- Áreas de cocina para el personal en tiendas, oficinas y otros entornos de trabajo;
- Casas de campo;
- Por clientes en hoteles, moteles y otros entornos de tipo residencial;
- Ambientes tipo alojamiento y desayuno.

NOTA: Este equipo ha sido probado y cumple con los límites para un dispositivo digital Clase B, de conformidad con la parte 15 de las reglas de la FCC. Estos límites están diseñados para proporcionar una protección razonable contra interferencias dañinas en una instalación residencial. Este equipo genera, usa y puede irradiar energía de radiofrecuencia y, si NO SE instala y usa de acuerdo con las instrucciones, puede causar interferencias dañinas en las comunicaciones por radio. Sin embargo, no hay garantía de que NO SE produzcan interferencias en una instalación en particular. Si este equipo causa interferencias dañinas en la recepción de radio o televisión, lo cual se puede determinar apagando y encendiendo el equipo, se recomienda al usuario que intente corregir la interferencia mediante una o más de las siguientes medidas:

- Reorientar o reubicar la antena receptora.
- Reorientar o reubicar la antena receptora.
- Aumente la separación entre el equipo y el receptor.
- Conecte el equipo a una toma de corriente de un circuito diferente al que está conectado el receptor.
- Consulte al distribuidor o a un técnico experimentado en radio/TV para obtener ayuda. Radiadores/radio no intencionales.

Receptores: marcas de verificación de la FCC: 47 CFR 15.19 (a)

Los cambios o modificaciones no aprobados expresamente por la parte responsable del cumplimiento podrían anular la autoridad del usuario para operar este dispositivo.

⚠ PELIGRO



PELIGRO DE MONÓXIDO DE CARBONO

Este aparato puede producir monóxido de carbono, que es venenoso y no tiene olor.

Usarlo en un espacio cerrado puede matarte.

NUNCA utilice este aparato en un espacio cerrado como una caravana, una tienda de campaña, un automóvil o una casa.

⚠ PELIGRO

Los artículos inflamables pueden arder si se colocan cerca del aparato.

Mantenga el área del electrodoméstico despejada y libre de materiales combustibles, envases de aerosol, gasolina y otros vapores y líquidos inflamables.

⚠ ADVERTENCIA

La instalación, uso, ajuste, alteración, servicio, modificación o mantenimiento inadecuados pueden causar daños a la propiedad, lesiones graves o la muerte. Consulte este manual.

- El uso de alcohol, medicamentos recetados o de venta libre puede afectar la capacidad del consumidor para ensamblar correctamente u operar de manera segura el electrodoméstico.
- Mantenga a los niños y las mascotas alejados del aparato en todo momento.
- Tenga a mano un extintor de incendios tipo BC o ABC.
- NO LO USE para fines distintos a los previstos.
- Sólo para uso doméstico en exteriores, no para uso comercial.
- NO UTILICE este aparato como calentador.

Este dispositivo cumple con la parte 15 de las normas de la FCC. Su funcionamiento está sujeto a las dos condiciones siguientes: (1) Este dispositivo no puede causar interferencias perjudiciales, y (2) Este dispositivo debe aceptar cualquier interferencia recibida, incluyendo interferencias que puedan causar un funcionamiento no deseado.

North Atlantic Imports, LLC 1073 W 1700 N Logan, UT 84321 USA
BlackstoneProducts.com



CONFIGURACIÓN DE SU ESPACIO AL AIRE LIBRE

ESTE APARATO SÓLO DEBE UTILIZARSE AL AIRE LIBRE SOBRE UNA SUPERFICIE NIVELADA.

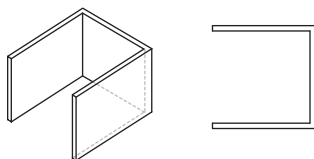
- NO USE este aparato dentro de edificios, garajes o cualquier otra área cerrada.
- NO INSTALE este aparato dentro o sobre un barco.
- NO INSTALE este aparato dentro o sobre un vehículo recreativo.

ÁREAS AL AIRE LIBRE PROTEGIDAS:

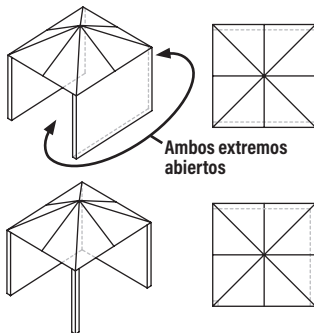
Todas las aberturas deben estar permanentemente abiertas; Las puertas correizas, las puertas de garaje, las ventanas o las aberturas con mosquitero NO SE consideran aberturas permanentes.

Se considera que un electrodoméstico está al aire libre si se instala con una protección que no exceda de:

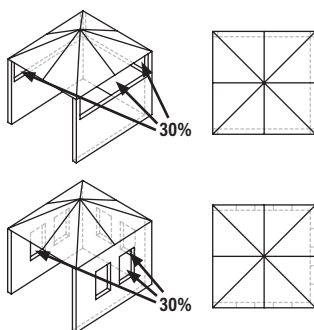
a. Con paredes en tres lados, pero sin cubierta superior.



b. Dentro de un recinto parcial que incluye una cubierta superior y no más de dos paredes laterales. Las paredes laterales pueden ser paralelas, como en un corredor, o en ángulo recto entre sí.



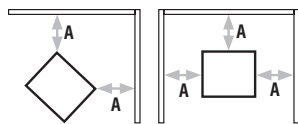
c. Dentro de un recinto parcial que incluye una cubierta superior y tres paredes laterales, siempre que el 30% o más de la periferia horizontal del recinto esté permanentemente abierta.



La temperatura ambiente mínima de funcionamiento es 0°F (-18°C).

ANTENGA LAS DISTANCIAS ADECUADAS DEL MATERIAL COMBUSTIBLE:

- NO USE este electrodoméstico sobre o debajo de ningún apartamento o balcón o terraza de condominio.
- No obstruya el flujo de aire de combustión y ventilación.



NO OPERE este aparato a menos de 36 pulgadas (1 m) desde los lados y la parte trasera del aparato hasta una construcción combustible.

A = 36 pulgadas (1 m)

- NO UTILICE este aparato bajo construcciones combustibles elevadas.

SEGURIDAD DE LOS ELECTRODOMÉSTICOS

Este aparato es adecuado para uso en exteriores.

PARA PROTEGERSE CONTRA DESCARGAS ELÉCTRICAS:

- No sumerja el cable ni los enchufes en agua u otro líquido.
- Desenchúfelo del tomacorriente cuando no esté en uso y antes de limpiarlo. Deje enfriar antes de poner o quitar piezas.
- El cable de alimentación debe examinarse periódicamente para detectar signos de daños y, si está dañado, NO SE debe utilizar el aparato.
- NO OPERE este electrodoméstico con un cable o enchufe dañado o después de que el electrodoméstico funcione mal o haya sido dañado de alguna manera. Póngase en contacto con el fabricante para su reparación.
- No deje que el cable cuelgue del borde de una mesa ni toque superficies calientes.
- Mantenga el cable de suministro eléctrico y la manguera de suministro de combustible alejados de superficies calientes.
- Al realizar la conexión, primero conecte el enchufe al aparato y luego al tomacorriente.

EL APARATO DEBE CONECTARSE ÚNICAMENTE A UN TOMACORRIENTE QUE ESTÉ PROTEGIDO POR UN INTERRUPTOR DE CIRCUITO DE FALLA A TIERRA (GFCI).

- Presione el botón TEST (luego el botón RESET) cada mes para asegurar un funcionamiento adecuado.
- El aparato debe conectarse a una toma de corriente con contacto a tierra.
- Este electrodoméstico, cuando esté instalado, debe estar conectado a tierra de acuerdo con los códigos locales o, en ausencia de códigos locales, con el Código Eléctrico Nacional, ANSI/NFPA 70, o el Código Eléctrico Canadiense, CSA C22.1.
- NO RETIRE el enchufe de conexión a tierra ni lo utilice con un adaptador de 2 clavijas.
- Utilice únicamente cables de extensión con un enchufe con conexión a tierra de 3 clavijas, clasificados para la potencia del equipo y aprobados para uso en exteriores con una marca W-A.

SEGURIDAD DE LA PARRILLA DE PELLETS

LEA ESTE MANUAL EN SU TOTALIDAD ANTES DE INSTALAR Y UTILIZAR ESTE APARATO DE COMBUSTIÓN DE PELLETS. EL INCUMPLIMIENTO DE ESTAS INSTRUCCIONES PODRÍA RESULTAR EN DAÑOS A LA PROPIEDAD, LESIONES CORPORALES O INCLUSO LA MUERTE.

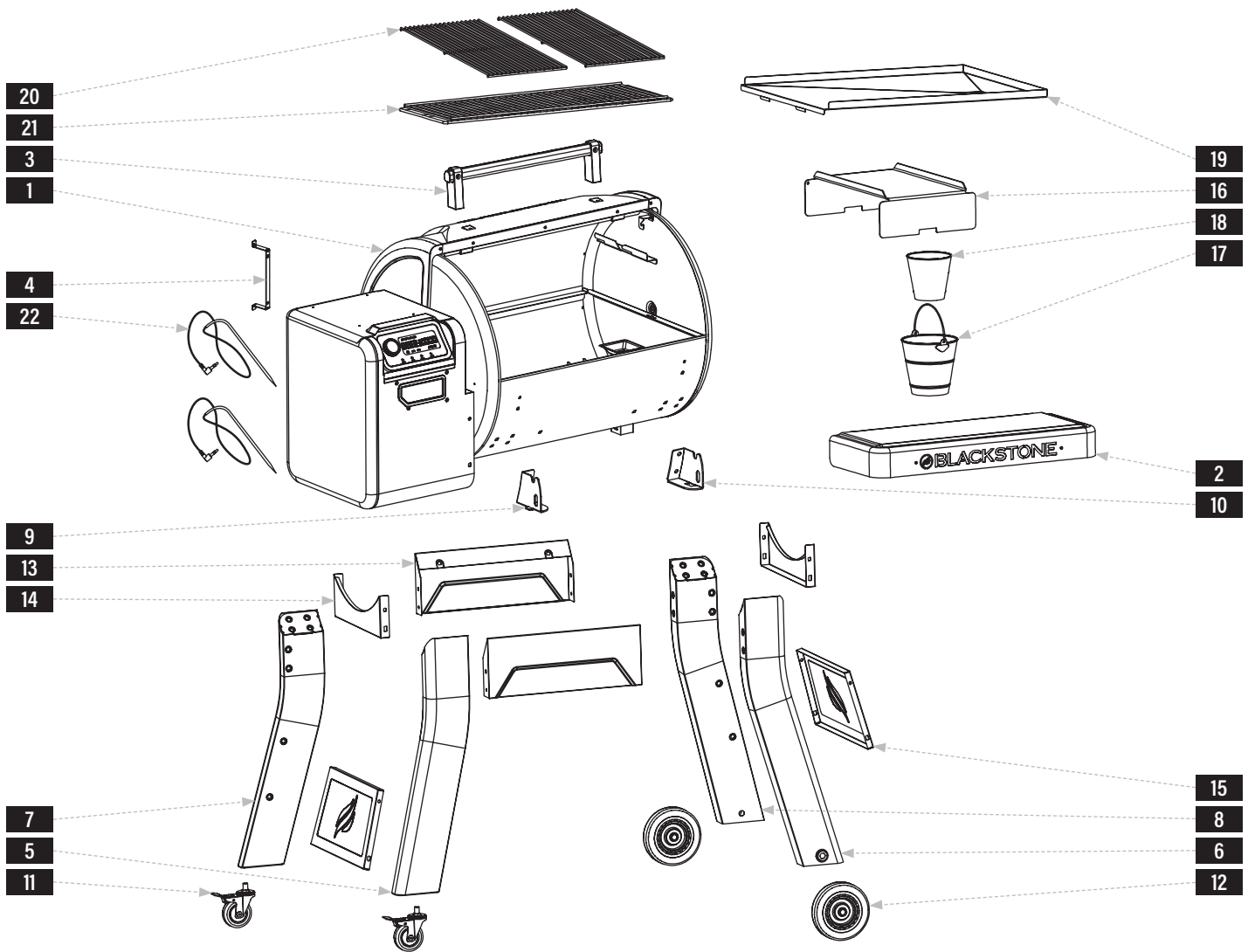
COMUNIQUESE CON LOS FUNCIONARIOS LOCALES DE CONSTRUCCIÓN O BOMBEROS ACERCA DE LAS RESTRICCIONES Y LOS REQUISITOS DE INSPECCIÓN DE INSTALACIÓN EN SU ÁREA.

GUARDA ESTAS INSTRUCCIONES.

- La leña quemada desprende monóxido de carbono que puede provocar la muerte.
- NO queme astillas de madera dentro de casas, vehículos, tiendas de campaña, garajes o áreas cerradas.
- Úselo únicamente al aire libre donde esté bien ventilado.
- Siga estas pautas para evitar que este gas incoloro e inodoro lo envenene a usted, a su familia o a otras personas:
 - Conozca los síntomas de la intoxicación por monóxido de carbono: dolor de cabeza, mareos, debilidad, náuseas, vómitos, somnolencia y confusión. El monóxido de carbono reduce la capacidad de la sangre para transportar oxígeno. Los niveles bajos de oxígeno en sangre pueden provocar la pérdida del conocimiento y la muerte.
 - Consulte a un médico si usted u otras personas desarrollan síntomas similares a los de la gripe mientras cocina cerca de este electrodoméstico. La intoxicación por monóxido de carbono, que puede confundirse fácilmente con un resfriado o una gripe, suele detectarse demasiado tarde.
 - El consumo de alcohol y el uso de drogas aumentan los efectos de la intoxicación por monóxido de carbono.
 - El monóxido de carbono es especialmente tóxico para la madre y el niño durante el embarazo, los bebés, los ancianos, los fumadores y las personas con problemas de la sangre o del sistema circulatorio, como anemia o enfermedades cardíacas.

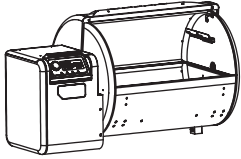


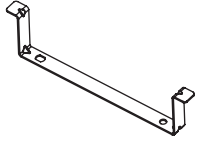
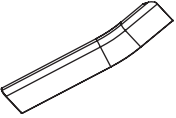

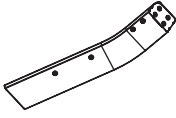
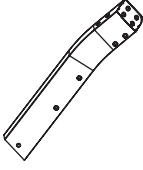


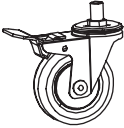


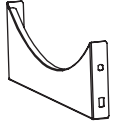

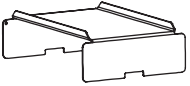


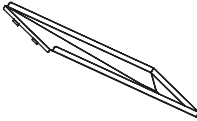


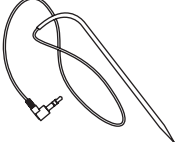
GUÍA DE MONTAJE

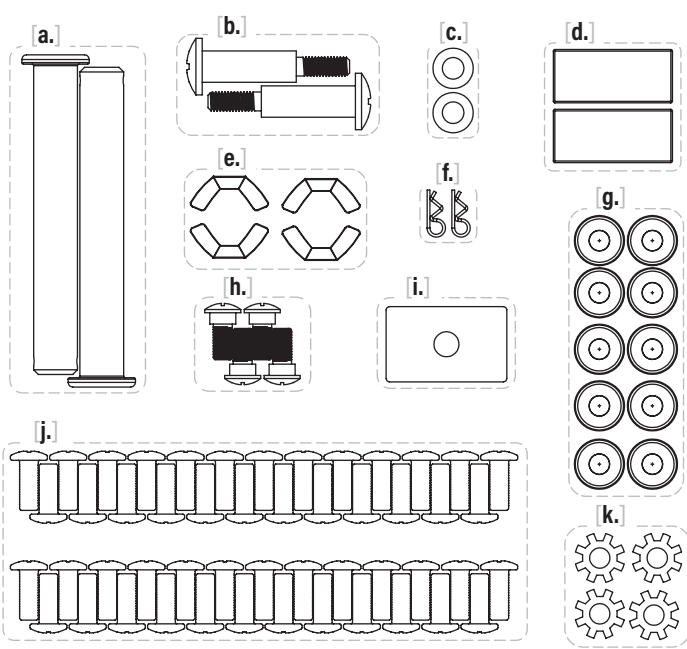
VISTA EN DESPIECE ORDENADO



ESPAÑOL

LISTA DE PARTES

<p>1 Cuerpo de pellets (1 pieza)</p> 	<p>2 Estante frontal (1 pieza)</p> 	<p>3 Mango de barril (1 pieza)</p> 	<p>4 Soporte del cable de alimentación (1 pieza)</p> 		
<p>5 Pata delantera izquierda (1 pieza)</p> 	<p>6 Pata delantera derecha (1 pieza)</p> 	<p>7 Pata trasera izquierda (1 pieza)</p> 	<p>8 Pata trasera derecha (1 pieza)</p> 	<p>9 Soporte de estante delantero izquierdo (1 pieza)</p> 	<p>10 Soporte de estante delantero derecho (1 pieza)</p> 
<p>11 Ruedas giratorias bloqueables (2 piezas)</p> 	<p>12 Ruedas fijas (2 piezas)</p> 	<p>13 Paneles de barril (2 piezas)</p> 	<p>14 Paneles laterales del marco (2 piezas)</p> 	<p>15 Paneles laterales con logo (2 piezas)</p> 	<p>16 Deflector de calor (1 pieza)</p> 
<p>17 Cubo de grasa (1 pieza)</p> 	<p>18 Revestimiento del cubo de grasa (1 pieza)</p> 	<p>19 Bandeja de goteo (1 pieza)</p> 	<p>20 Rejillas para ahumador (2 piezas)</p> 	<p>21 Rejilla para calentar (1 pieza)</p> 	<p>22 Sondas de termómetro (2 piezas)</p> 

<p>23 Paquete de hardware (1 pieza)</p> <ul style="list-style-type: none"> a. Pasadores del eje de la rueda (2 piezas) b. Pernos de paso M6x40 (2 piezas) c. Arandelas (2 piezas) d. Almohadillas de silicona (2 piezas) e. Nueces mariposa (4 piezas) f. Pasadores de rueda (2 piezas) g. Arandelas de perno M6x16 (20 piezas) h. Pernos escalonados M6x15 (4 piezas) i. Arandelas de mango (2 piezas) j. Pernos M6x10 (50 piezas) k. Tuercas M6x40 (8 piezas) 	
---	--

ESPAÑOL

INSTRUCCIONES DE MONTAJE

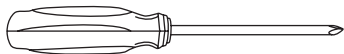
Encuentre un área grande y limpia para ensamblar su electrodoméstico.
 Retire todo el material de embalaje antes de ensamblar. (Es posible que tenga hardware adicional o de repuesto después del ensamblaje.)

⚠ ATENCIÓN

Bordes afilados. Use guantes durante el montaje.

⚠ ATENCIÓN

Piezas pesadas. Dos personas deben armar este aparato.



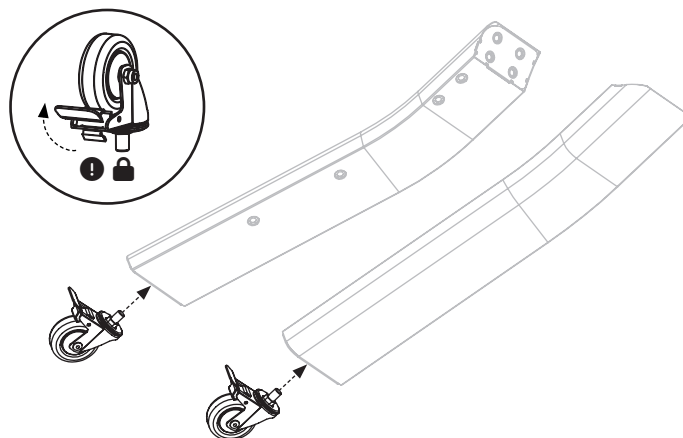
HERRAMIENTA NECESARIA:

Destornillador de cabeza Phillips n.º 3

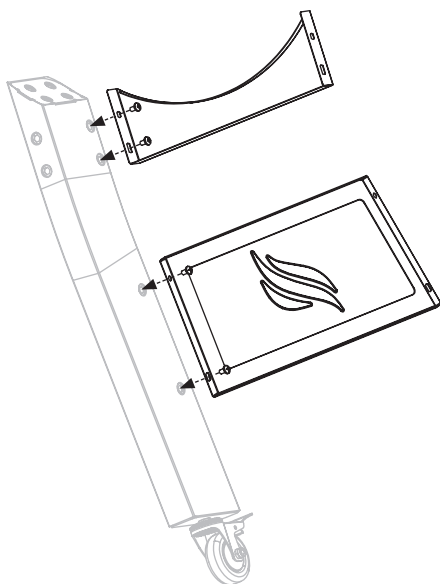
REQUISITOS ELÉCTRICOS:

120V 60Hz

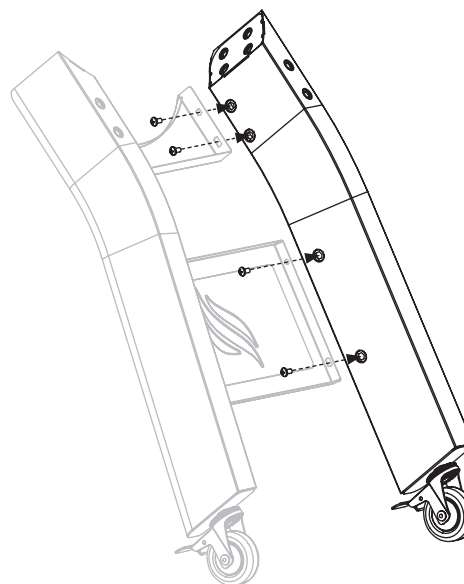
PASO 01 Atornille las dos (2) ruedas giratorias en las patas delanteras y traseras izquierdas. (Asegúrese de que las ruedas estén bloqueadas antes de colocarlas).



PASO 02 Utilice cuatro (4) pernos M6x10 [j.] para fijar un (1) panel lateral del marco y un (1) panel lateral con el logotipo a la pata delantera izquierda.



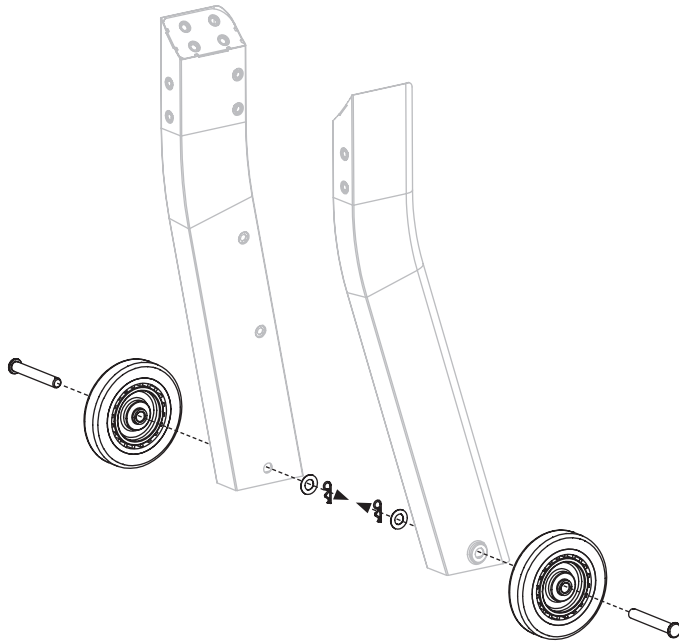
PASO 03 Utilice cuatro (4) pernos M6x10 [j.] para fijar la pata trasera izquierda al conjunto de la pata delantera izquierda.



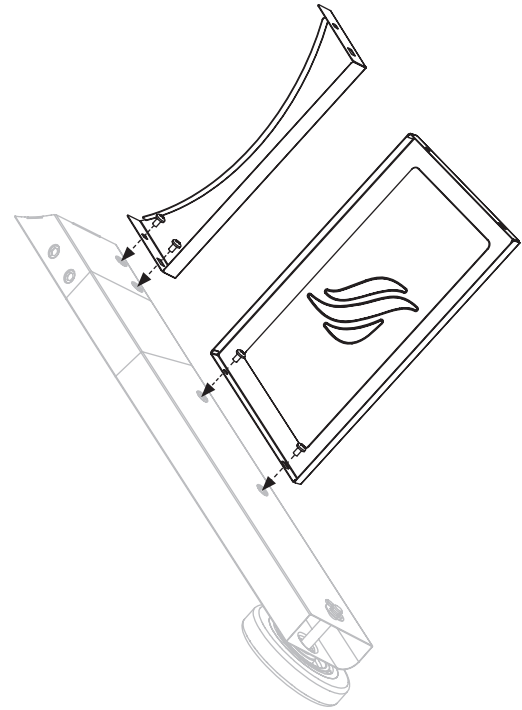


PASO 04 Utilice un (1) pasador del eje de la rueda [a.], una (1) arandela [c.] y un (1) pasador de chaveta de la rueda [f.] para fijar una (1) rueda fija a la pata delantera derecha.

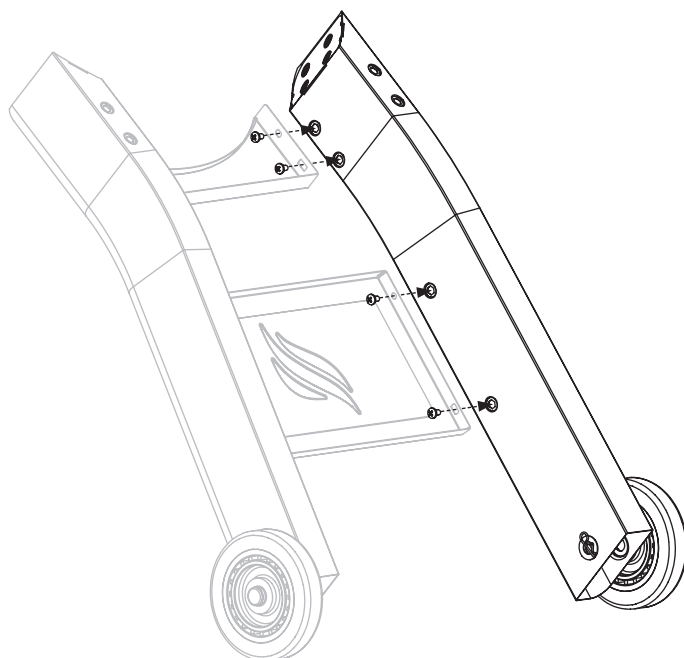
Repita con la pierna derecha trasera.



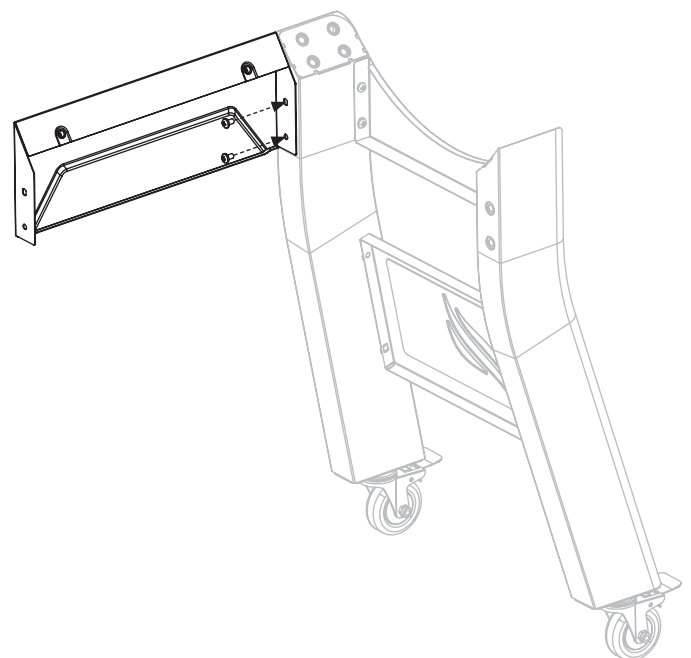
PASO 05 Utilice cuatro (4) pernos M6x10 [j.] para fijar un (1) panel lateral del marco y un (1) panel lateral con el logotipo a la pata trasera derecha.



PASO 06 Utilice cuatro (4) pernos M6x10 [j.] para fijar la pata delantera derecha al conjunto de la pata trasera derecha.

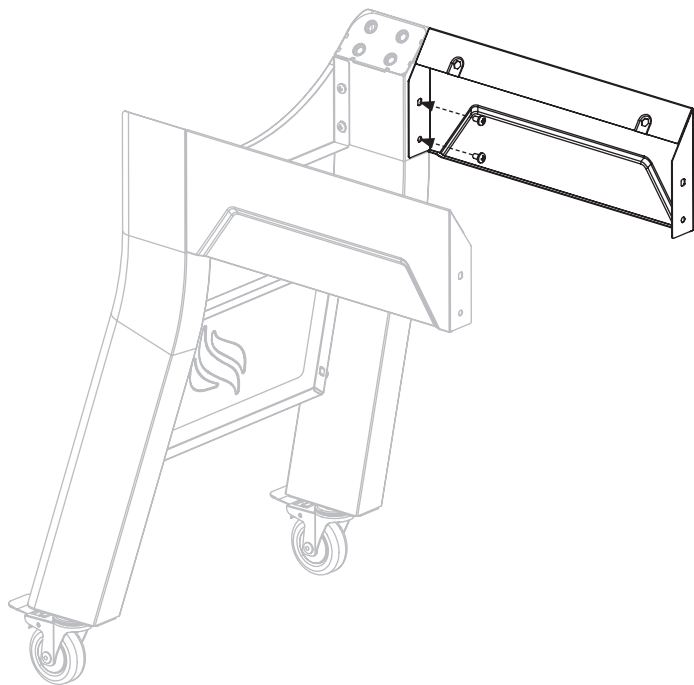


PASO 07 Utilice dos (2) pernos M6x10 [j.] para fijar un (1) panel de barril a la pata delantera izquierda.

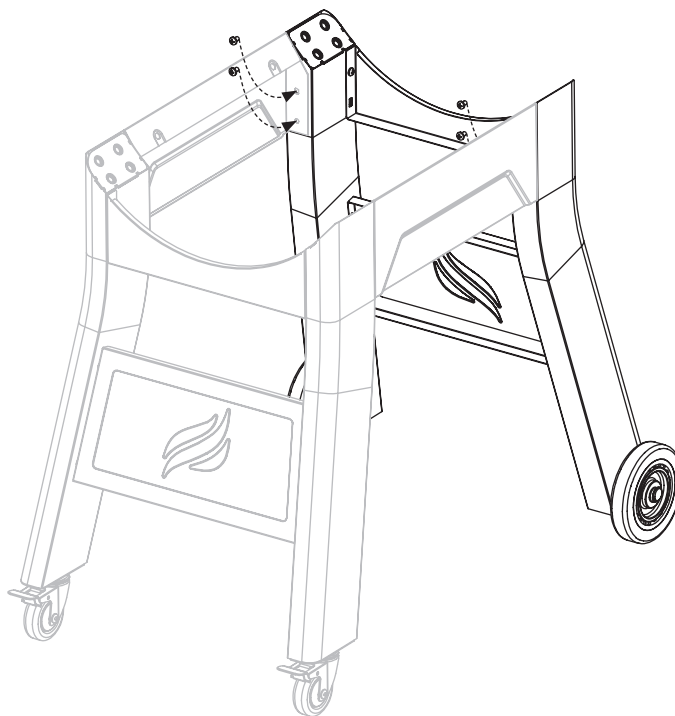


ESPAÑOL

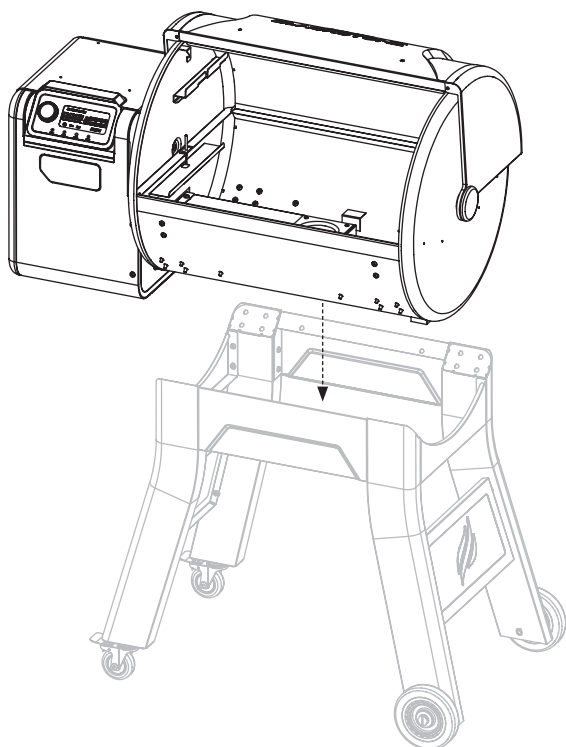
PASO 08 Utilice dos (2) pernos M6x10 [j.] para fijar un (1) panel de barril a la pata trasera izquierda.



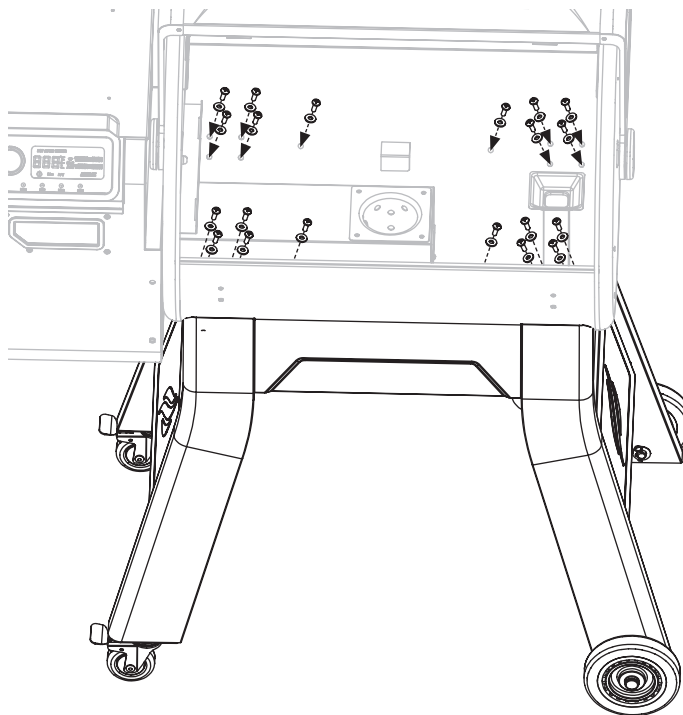
PASO 09 Utilice cuatro (4) pernos M6x10 [j.] para fijar el conjunto de la pata derecha a los paneles del cilindro.



PASO 10 Con la ayuda de otra persona, coloque el cuerpo del pellet sobre el conjunto de patas.

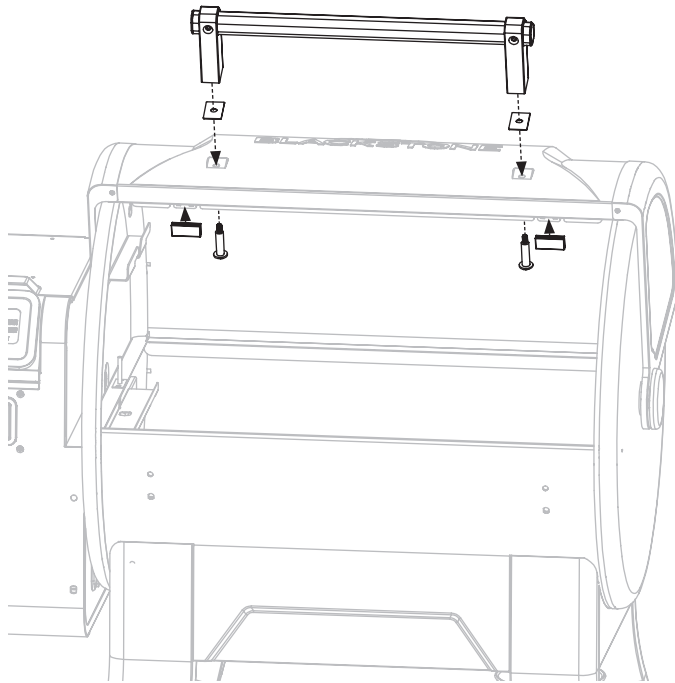


PASO 11 Utilice veinte (20) pernos M6x10 [j.] y veinte (20) arandelas para pernos M6x16 [g.] para fijar el cañón a las patas y los paneles del cañón.



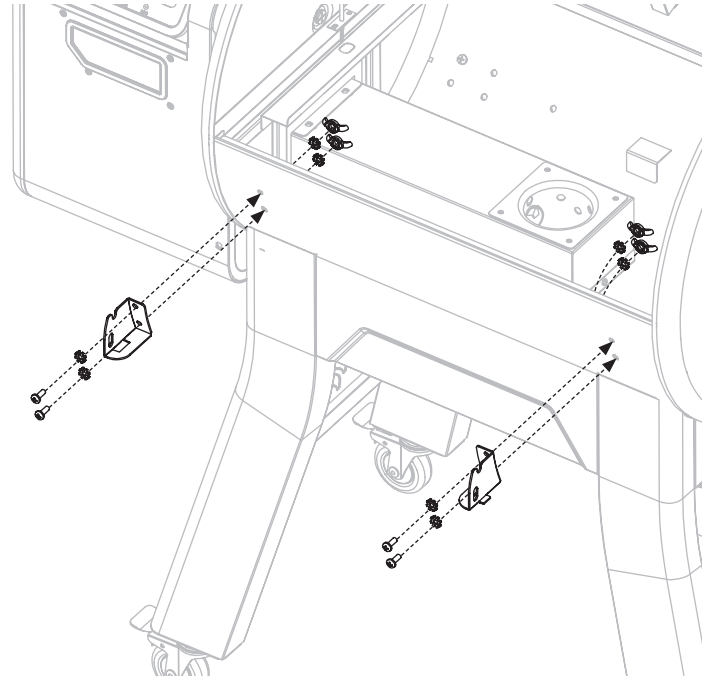


PASO 12 Utilice dos (2) pernos escalonados M6x40 [b.] para fijar la manija del cañón y dos (2) arandelas de manija [i.] a la tapa del cañón. Inserte dos (2) almohadillas de silicona [d.] en la tapa.

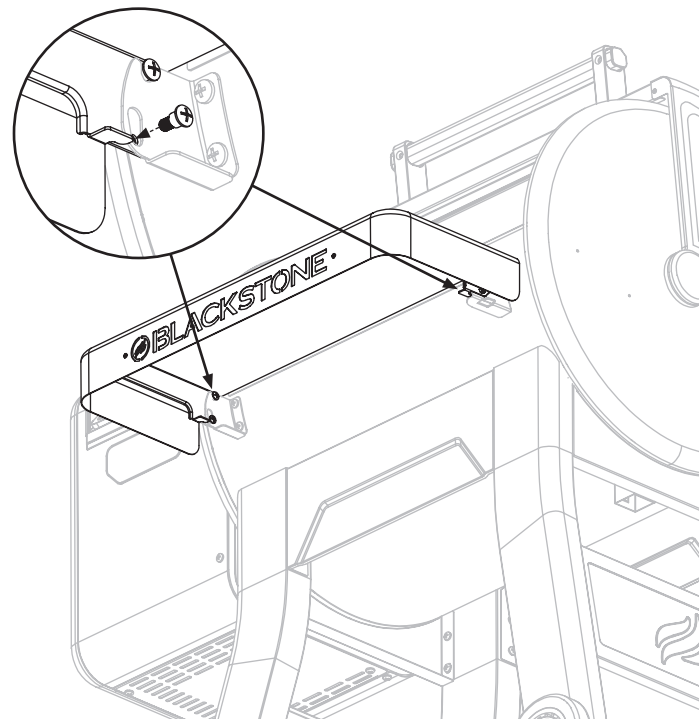


PASO 13 Utilice dos (2) pernos M6x10 [j.], cuatro (4) tuercas de pernos M6x40 [k.] y dos (2) tuercas mariposa [e.] para fijar el soporte del estante delantero izquierdo al barril.

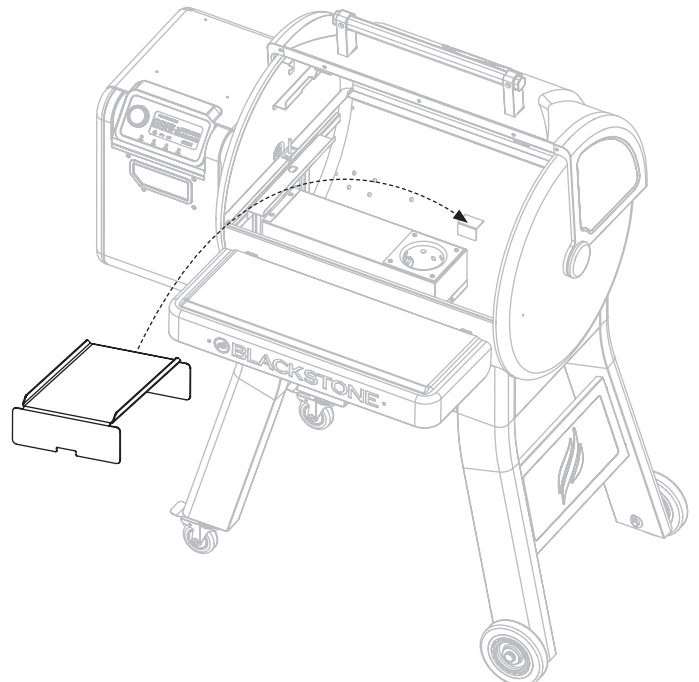
Utilice dos (2) pernos M6x10 [j.], cuatro (4) tuercas de pernos M6x40 [k.] y dos (2) tuercas mariposa [e.] para fijar el soporte del estante delantero derecho al barril.



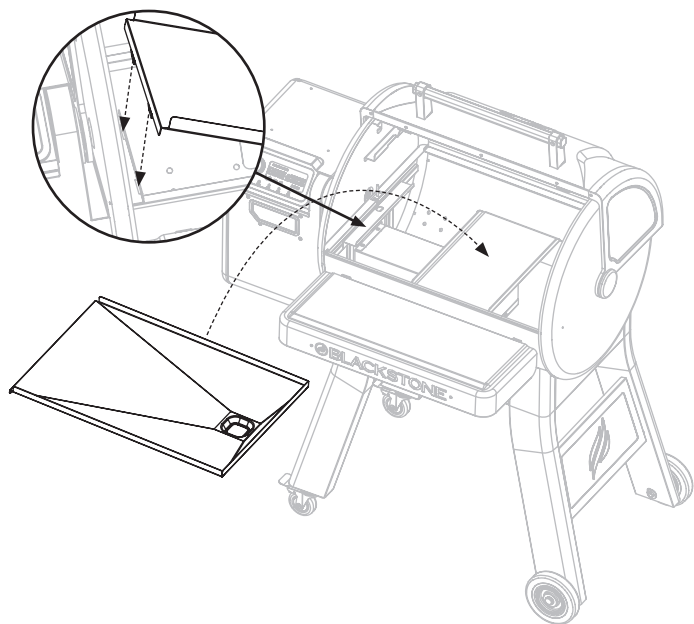
PASO 14 Cuelgue el estante frontal en los soportes del estante frontal y use cuatro (4) pernos escalonados M6x15 [h.] para asegurarlo.



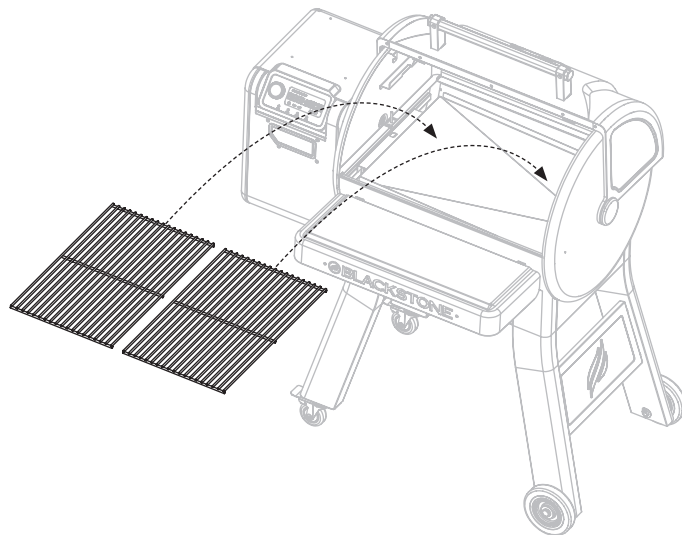
PASO 15 Coloque el deflector de calor en el barril. (Las muescas deben asentarse en los soportes).



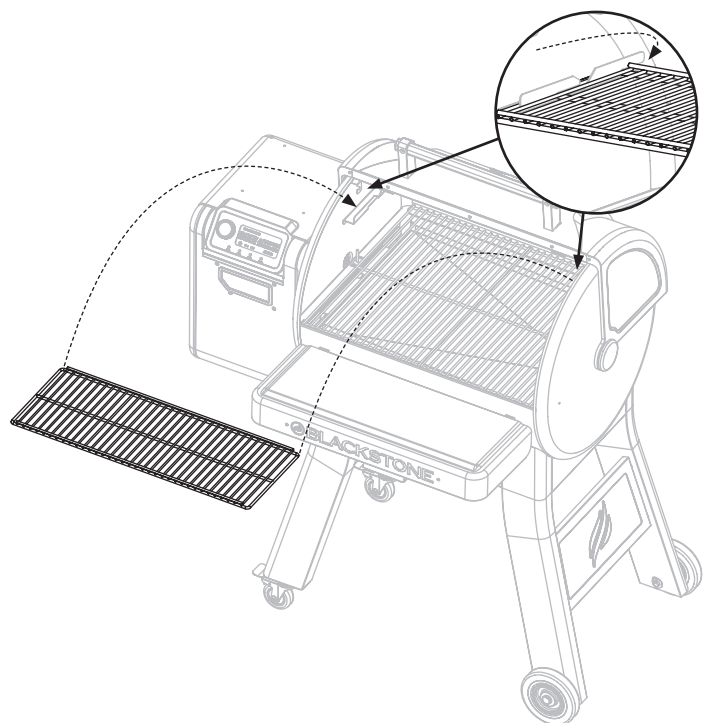
PASO 16 Coloque la bandeja de goteo en el barril. Alinee las pestañas de la bandeja de goteo con las ranuras del borde del cilindro.



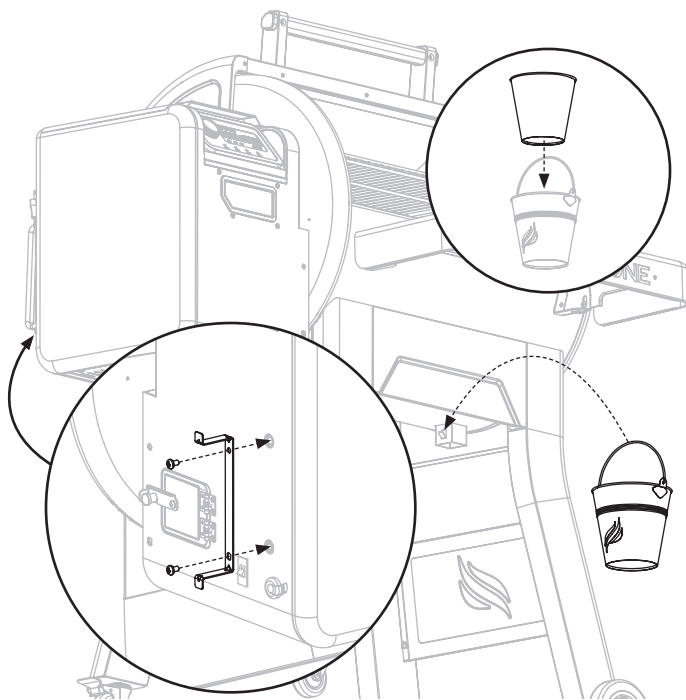
PASO 17 Coloque las dos rejillas del ahumador en el barril.



PASO 18 Coloque la rejilla para calentar en el soporte superior.

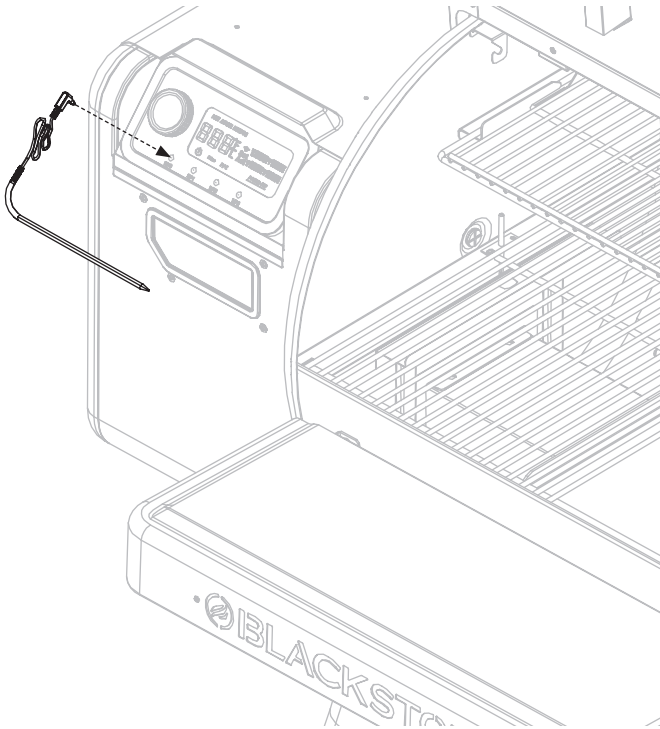


PASO 19 Coloque el revestimiento del cubo de grasa en el cubo de grasa. Cuelga el cubo de grasa en el gancho debajo del cañón. Utilice dos (2) pernos M6x10 [j.] para fijar el soporte del cable de alimentación a la parte posterior de la tolva.

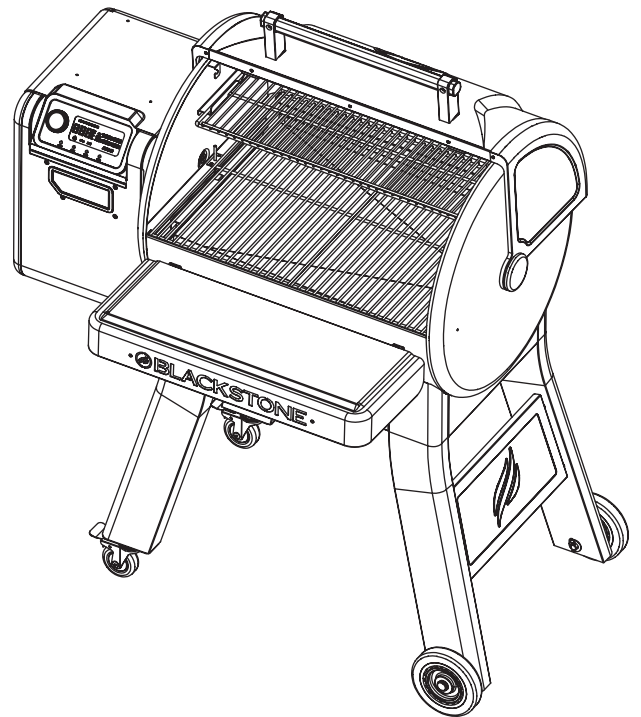




PASO 20 Conecte la(s) sonda(s) del termómetro al panel de control de la parrilla de pellets.



PASO 21 Continúe con las **INSTRUCCIONES DE OPERACIÓN**.



ESPAÑOL

INSTRUCCIONES DE OPERACIÓN

CÓMO UTILIZAR SU PARRILLA DE PELLETS

⚠ ADVERTENCIA

NO LO USE en pisos combustibles, a menos que el piso esté protegido con superficies no combustibles aprobadas para tal uso por la autoridad competente.

1. TOLVA DE CARGA:

PASO 01 Asegúrese de que el revestimiento esté en su lugar para la cubeta de grasa y la bandeja de goteo.

PASO 02 Enchufe el cable eléctrico y presione el interruptor de encendido principal en la parte posterior de la parrilla.

PASO 03 Alimente los gránulos en la tolva.

- Utilice únicamente pellets 100% de madera dura aptos para alimentos con un poder calorífico medio de 8000-8770 BTU/lb y un contenido de cenizas de <1%. Opere únicamente según las instrucciones del fabricante.
- NO UTILICE combustible de pellets que indique que contiene aditivos.
- No exponga los pellets a la humedad. Los pellets deben almacenarse en el interior, en un recipiente sellado.
- Guarde siempre los pellets de madera lejos de aparatos que produzcan calor y otros contenedores de combustible.

IMPORTANTE: Vacíe la tolva (limpie todos los pellets) desde la puerta de acceso trasera de la tolva después de cada uso para evitar problemas de atascos de pellets debido a la humedad del aire.

2. ENCENDIDO DE PARRILLA DE PELLETS:



PASO 01 Abra la tapa.

PASO 02 Presione [⏻] para encender.

PASO 03 Presione y mantenga presionado [Prime] durante dos (2) segundos para activar la función de alimentación continua. El sinfín funcionará automáticamente durante unos 4 minutos hasta que los pellets caigan en el recipiente de fuego.

Nota: Presione [Prime] para detener la función de alimentación continua.

PASO 04 Presione el botón de la perilla de control de temperatura [🔥] para ingresar a la interfaz de configuración de temperatura.

Nota: Presione [F/C] para cambiar entre los tipos de visualización Fahrenheit o Celsius.

PASO 05 Gire la perilla para configurar la temperatura del horno.

Nota: El rango de temperatura es S, 185 °F (85 °C) - 490 °F (254 °C), H.

PASO 06 Presione el botón de la perilla nuevamente para determinar la temperatura establecida.

PASO 07 Una vez que la parrilla esté funcionando a pleno rendimiento y el humo haya dejado de salir, cierre la tapa hasta que la parrilla alcance la temperatura establecida.

PROCESO DE QUEMADO (ANTES DEL PRIMER USO)

Quema los aceites de fabricación o cualquier acumulación en un ahumador que haya estado almacenado durante un tiempo.

PASO 01 Fije la temperatura a 350°F (177°C).

PASO 02 Ejecutar durante 20 min.

PASO 03 Aumente la temperatura a 450 °F (230 °C).

PASO 04 Ejecutar durante 35 min.

PASO 05 Apague, pero no desconecte hasta que el ventilador haya terminado de funcionar.

PARA APAGAR LA PARRILLA DE PELLETS:

PASO 01 Mantenga presionado [⏻] durante dos (2) segundos para ingresar al modo de apagado. [POWER OFF] se iluminará, la varilla de encendido del motor se apagará y el ventilador funcionará durante 10 minutos).

PASO 02 Apague el interruptor de encendido principal antes de guardar o colocar la cubierta.



MIENTRAS COCINA

- Mientras cocina
- Retire las ollas y sartenes mientras la parrilla esté desatendida, para reducir el riesgo de incendio.
- NO UTILICE accesorios que no estén especificados para su uso con este aparato.
- Presione el botón de control de temperatura [🔥] para alternar entre las pantallas de temperatura [Set] (el valor de temperatura establecido) y [Act] (la temperatura real del horno).

SONDAS Y LUCES DE TRABAJO

- Cuando está activo, se ilumina el icono de trabajo correspondiente. ([FAN], [AUGER], [IGNITOR])
- Cuando las sondas están conectadas, se muestra el valor de temperatura y el carácter [F/C] de la sonda correspondiente.

LA APLICACIÓN 'BLACKSTONE CONNECT' 📶

(Disponible en iOS y Android)

- Ajuste y verifique la temperatura del cilindro y las sondas.
- Configure y verifique el temporizador.
- Apague la parrilla desde su dispositivo móvil.

⚠ ATENCIÓN

Este aparato estará caliente durante y después de su uso. Utilice utensilios de mango largo y guantes de cocina/guantes protectores cuando manipule piezas potencialmente calientes, incluidas las manijas cercanas al cuerpo del aparato, para protegerse contra quemaduras y salpicaduras.

RECETAS Y CONSEJOS DE COCINA

🌐 BlackstoneProducts.com/recipes

📺 youtube.com/BlackstoneGriddles

📱 @blackstoneproducts



FILETE DE POLLO AHUMADO Y QUESO
Parrilla de pellets

- 1-2 lb de gránulos por hora para cocciones bajas y lentas.
- 4 libras de gránulos por hora para cocciones calientes y rápidas.
- Para la carne grasosa, coloque la carne en la parrilla superior y una bandeja de agua en la parrilla inferior para recoger las gotas y mantener la carne húmeda.

⚠ ADVERTENCIA

La acumulación de grasa puede provocar un incendio. Limpie cualquier parte del aparato que se caliente y experimente acumulación de grasa después de cada uso.

⚠ ATENCIÓN

Toda la limpieza y el mantenimiento deben llevarse a cabo cuando el aparato esté frío y todo esté APAGADO.

- NO USE una almohadilla abrasiva en áreas con gráficos.
- Si se usa un cepillo de cerdas para limpiar cualquiera de las superficies de cocción, asegúrese de que no queden cerdas sueltas en las superficies de cocción antes de cocinar.

CUERPO DEL APARATO:

Lave con agua jabonosa tibia y seque inmediatamente con un paño no abrasivo. (No permita que los agentes de limpieza descansen sobre ninguna superficie porosa durante un período de tiempo prolongado).

AVISO

NO UTILICE Citrisol, limpiadores abrasivos o un limpiador concentrado en el aparato. Esto puede resultar en daños y fallas en las piezas.

ALMACENAMIENTO DE ELECTRODOMÉSTICOS

⚠ ADVERTENCIA

No mueva el aparato cuando esté en uso. Deje que el aparato se enfríe a 115°F (45°C) antes de moverlo o almacenarlo.

Cubra su electrodoméstico con una funda dura o blanda o una bolsa de transporte (según corresponda) cuando lo guarde al aire libre. No lo almacene donde se pueda acumular agua.



ENCUENTRA MI PORTADA

BlackstoneProducts.com

- Cubiertas
- Llevar bolsas

⚠ ADVERTENCIA

No limpiar con estropajos metálicos. Los pedazos pueden desprenderse de la almohadilla y tocar partes eléctricas, creando un riesgo de descarga eléctrica.

LIMPIEZA DENTRO DE LA CÁMARA DEL HORNO

Consejo de limpieza: comience en la parte superior y trabaje hacia abajo.

PASO 01 Utilice un raspador de plástico para eliminar los depósitos gruesos de grasa de las paredes del horno y luego de las rejillas.

Todos los desechos deben ir sobre el revestimiento de aluminio de la bandeja de goteo.

PASO 02 Use un estropajo no abrasivo que no raye (nylon) para entrar en las grietas y hendiduras.

PASO 03 Retire el deflector de calor/domador de llamas.

PASO 04 Use una aspiradora de taller o una aspiradora de cenizas para aspirar el interior del horno, especialmente en la olla de fuego.

PASO 05 Use un desengrasante y una toalla de papel fuerte para limpiar las superficies.

PASO 06 Vacíe el balde de grasa.

LIMPIEZA PROFUNDA

CREOSOTA - FORMACIÓN Y NECESIDAD DE REMOCIÓN.

- Cuando los pellets de madera se queman lentamente, producen alquitrán y otros vapores orgánicos que se combinan con la humedad expulsada para formar creosota. Los vapores de creosota se condensan en un horno relativamente frío y en una campana extractora de un fuego de combustión lenta. Como resultado, los residuos de creosota se acumulan en el revestimiento del conducto de humos y en la campana extractora. Cuando se enciende, esta creosota hace un fuego extremadamente caliente.
- El conducto de grasa debe inspeccionarse al menos dos veces al año para determinar cuándo se ha producido una acumulación de grasa y/o creosota.
- Cuando se haya acumulado grasa o creosota, debe eliminarse para reducir el riesgo de incendio.

PASO 01 Pulverizar desengrasante en las rejillas y en el interior de la chimenea

PASO 02 Retire las rejillas y use un estropajo no abrasivo para limpiarlas.

PASO 03 Limpie con una toalla de papel fuerte.

PASO 04 Retire el deflector de calor/domador de llamas.

PASO 05 Aspire el interior del horno, todos los rincones y grietas.

PASO 06 Use un estropajo de mango largo para limpiar el interior de la chimenea

PASO 07 Rocíe las paredes y la tapa del horno con desengrasante.

PASO 08 Limpie con toallas de papel fuertes (incluida la sonda de temperatura MUY CUIDADOSAMENTE).

PASO 09 Vuelva a insertar revestimientos nuevos, reemplace las rejillas.

ELIMINACIÓN DE CENIZAS

Las cenizas deben colocarse en un recipiente de metal con una tapa que cierre bien. El contenedor cerrado de cenizas debe colocarse en un piso no combustible o en el suelo, bien alejado de todos los materiales combustibles, en espera de su disposición final. Cuando las cenizas se eliminen enterrándolas en el suelo o se dispersen localmente de otra manera, deben conservarse en el recipiente cerrado hasta que todas las cenizas se hayan enfriado por completo.

SOLUCIÓN DE PROBLEMAS

ERRORES EN LA PARRILLA DE PELLETS:

ERP

POSIBLES CAUSAS

Cortocircuito, circuito abierto o sensor de temperatura desconectado.

SOLUCIÓN

Póngase en contacto con el servicio de atención al cliente.

ERH

Error de temperatura alta

POSIBLES CAUSAS

Temperatura de la parrilla superior a 615 °F (324 °C).

SOLUCIÓN

Apague el aparato.

ERL

Error de temperatura baja

POSIBLES CAUSAS

- Fallo de encendido.
- La temperatura en modo de funcionamiento desciende por debajo de los 120°F (49°C) y el encendido falla nuevamente.

SOLUCIÓN

Asegúrese de que el brasero esté preparado y de que haya pellets en la tolva.



ATENCIÓN AL CLIENTE

CONTACTA CON NOSOTROS

Para cualquier pregunta, consulta o asistencia al cliente, contáctenos a:

ESTADOS UNIDOS Y CANADÁ DE BLACKSTONE PRODUCTS

➔ BlackstoneProducts.com/support

- Lunes – Viernes | 7:00 am – 5:00 pm (MST/MDT)
- Inglés y Español

Comuníquese con nosotros antes de devolver este electrodoméstico a su distribuidor.

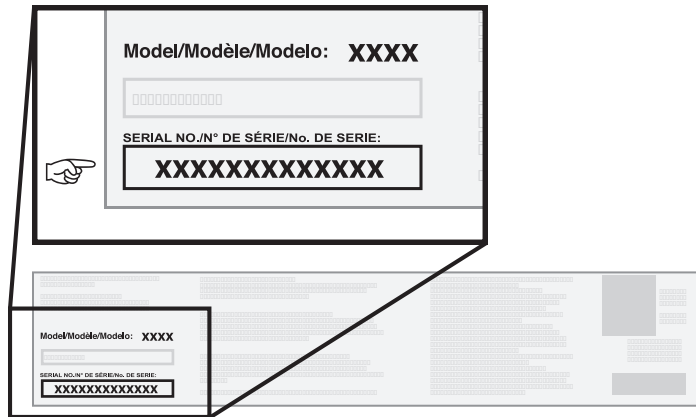
*Consulte BlackstoneProducts.com para conocer horarios adicionales.

UBICACIÓN DEL NÚMERO DE SERIE

Para habilitar su garantía, deberá proporcionar el número de serie de su electrodoméstico.

El número de serie se puede encontrar en la etiqueta del fabricante de su electrodoméstico.

(La etiqueta del fabricante es una etiqueta plateada grande que se encuentra en el cuerpo de su electrodoméstico).



GARANTÍA DE UN AÑO

North Atlantic Imports, LLC garantiza este producto contra defectos de materiales y mano de obra por un período de un (1) año a partir de la fecha original de compra en condiciones de uso normal. En la medida en que se produzcan dichos defectos, North Atlantic Imports, LLC., a su discreción, proporcionará las piezas de repuesto adecuadas sin coste alguno.

En ningún caso North Atlantic Imports, LLC será responsable de los daños consecuentes, indirectos o incidentales que resulten de la instalación, el uso o la falla del producto.

Esta garantía NO cubre:

- Costos de inspección o mano de obra para el reemplazo de cualquier pieza defectuosa;
- Defectos cosméticos que no afectan el rendimiento o la integridad del producto;
- Uso y desgaste normal;
- Daños por vandalismo; actos de la naturaleza, incluidos, entre otros, viento, tormentas, granizo, inundaciones;
- Montaje, instalación o uso inadecuado;
- Decoloración o decoloración del acabado como resultado de la exposición a productos químicos, derrames, piscina o agua salada;
- Corrosión/óxido.

Este producto ha sido diseñado para brindar seguridad y calidad. Cualquier modificación realizada al producto original podría comprometer su integridad estructural o su función y podría provocar fallas en el producto o lesiones personales. Como tal, modificar este producto anula todas las garantías.

Este producto es SOLO PARA USO RESIDENCIAL y no para fines comerciales, contractuales ni otros fines no residenciales. North Atlantic Imports, LLC renuncia a todas las demás representaciones y garantías de cualquier tipo, expresas o implícitas.

La garantía se aplica al comprador original y no es transferible. NO SE aplica a accesorios o piezas que NO SE suministran con el producto, a compras de modelos de exhibición ni a productos que se venden en liquidación o "tal cual". Sin embargo, es posible que tenga otros derechos legales específicos según las leyes de su estado o país de residencia específico.

Para activar su garantía, registre su producto en

BlackstoneProducts.com/register

North Atlantic Imports, LLC se reserva el derecho de cambiar o modificar esta garantía en cualquier momento.



Este producto puede estar cubierto por una o más patentes estadounidenses y/o internacionales emitidas y puede incluir solicitudes de patentes pendientes.
Para obtener más información, visite: BlackstoneProducts.com/patents