

NEVER LEAVE THE HEATER UNATTENDED WHILE BURNING!

OPERATING INSTRUCTIONS AND OWNER'S MANUAL

PORTABLE RADIANT BUDDY HEATER

Model # MH4B



PORTABLE PROPANE HEATER FOR
RECREATIONAL AND
EMERGENCY INDOOR USE

FOR US SALE EXCEPT
MASSACHUSETTS



LANGUAGES INCLUDED:

- ENGLISH
- SPANISH

Use only Mr. Heater branded accessories
(See page 8 for WARNING information)

⚠ WARNING: If the information in this manual is not followed exactly, a fire or explosion may result causing property damage, personal injury or loss of life.

Do not store or use gasoline or other flammable vapors and liquids in the vicinity of this or any other appliance.

WHAT TO DO IF YOU SMELL GAS

- Do not try to light appliance.
- Do not touch any electrical switch; do not use any phone in your building.
- Immediately call your gas supplier from a neighbor's phone. Follow the gas supplier's instructions.
- If you cannot reach your gas supplier, call the fire department or a qualified service agency.

Installation and service must be performed by a qualified installer, service agency or the gas supplier.

This is an unvented gas-fired portable heater. It uses air (oxygen) from the area in which it is used. Adequate combustion and ventilation air must be provided. Refer to page 3.

READ INSTRUCTIONS CAREFULLY: YOUR SAFETY IS IMPORTANT TO YOU AND TO OTHERS. Read and follow all instructions. Place instructions in a safe place for future reference. Do not allow anyone who has not read these instructions to assemble, light, adjust or operate the heater.

⚠️WARNING:

Early signs of carbon monoxide poisoning resemble the flu, with headache, dizziness and/or nausea. If you have these signs, heater may not be working properly. Get fresh air at once! Have heater serviced.

⚠️WARNING:

Every time hose or tank is connected to unit, connection must be checked for leaks in one or more ways: Apply soapy water to connection, look for bubbles, listen for hiss of escaping gas, feel for extreme cold, smell for rotten egg odor. Do not use if leaking!

⚠️WARNING:

This product can expose you to chemicals including lead and lead compounds, which are known to the State of California to cause cancer and birth defects or other reproductive harm. For more information visit www.P65Warnings.ca.gov

⚠️WARNING:

Fuels used in liquefied propane gas appliances, and the products of combustion of such fuel, can expose you to chemicals including benzene, which is known to the state of California to cause cancer and cause birth defects or other reproductive harm, for more information go to www.P65Warnings.ca.gov

⚠️WARNING:

Any changes to this heater or its controls can be dangerous.

⚠️WARNING:

CARBON MONOXIDE POISONING MAY CAUSE DEATH OR INJURY
When used without adequate combustion and ventilation air, heater may give off excessive CARBON MONOXIDE, an odorless, poisonous gas.

This is an unvented gas-fired heater. The heater uses air (oxygen) from the area in which the heater is used. Adequate combustion and ventilation air must be provided. Refer to GENERAL SAFETY INSTRUCTIONS for more specific requirements regarding adequate combustion and ventilation air (page 3).

⚠️WARNING:

FIRE OR EXPLOSION HAZARD
If you smell gas:

1. Do not attempt to light appliance.
2. Extinguish any open flame.
3. Disconnect fuel supply.
4. Leave the area immediately.
5. Allow gas to dissipate 5 minutes before relighting the appliance.

Do not store or use gasoline or other flammable vapors and liquids in the vicinity of this or any other appliance.
Failure to follow these instructions could result in fire or explosion, which could cause property damage, personal injury, or death.

CONTENTS

- 2 Warnings
- 3 General Safety Instructions
- 3 General Information
- 4 Operation
 - Lighting
 - Shutdown
 - Maintenance
- 6 Troubleshooting
- 7 Parts List
- 8 Ordering Parts/Warranty

CAUTION:

When operating the heater at altitudes over 7,000 FT above sea level the heater may shut off. (Please read the GENERAL INFORMATION).

⚠️WARNING:

If the recreational enclosure does not have a window or roof vent, DO NOT USE THIS HEATER INSIDE.

This heater is equipped with a SAFETY SYSTEM designed to turn off the heater if not enough fresh air is available.

⚠️WARNING:

DO NOT TAMPER WITH THE SAFETY SYSTEM!

If heater shuts off, do not relight until you provide fresh air. If heater keeps shutting off, have the heater serviced. Keep burner and control compartment clean.

GENERAL SAFETY INSTRUCTIONS

THIS IS A HEATING APPLIANCE. DO NOT OPERATE THIS APPLIANCE WITHOUT THE FRONT GRILL INSTALLED. DO NOT ATTEMPT TO WARM OR COOK FOOD ON THIS HEATER.

- Do not use non-approved attachments on this heater.
- Due to high temperatures, the appliance should be located out of traffic and away from combustible materials.
- Children and adults should be alerted to the hazard of high surface temperatures and should stay away to avoid burns or clothing ignition.
- Do not leave this heater unattended while it is in operation. Keep children and pets away from the heater at all time.
- Do not place clothing or other flammable material on or near the appliance.
- Do not operate heater in any moving vehicle.
- Only disposable cylinders marked with the proper fuel type approved for the appliance, can be used.
- This heater can be used in a recreational enclosure only if the enclosure has a window or roof vent. It may also be used outdoors.
- This heater requires a minimum vent area of 4 square inches, (example 2" x 2" opening) at the ceiling and at floor level for adequate ventilation during operation. Do not use other fuel burning appliances inside.
- GAS PRESSURE AT HEATER IS REGULATED AND FIXED AT 11" W.C.
- REGULATOR IN HEATER MUST ALWAYS BE IN PLACE DURING OPERATION.
- Any safety screen or guard removed for servicing the appliance must be replaced prior to operating the heater.
- The appliance should be inspected before each use. Frequent cleaning may be required. The control compartments, burner and circulating air passageways of the appliance must be kept clean, see MAINTENANCE.
- DO NOT use this heater if any part has been under water. Immediately call a qualified service technician to inspect the heater and to replace any

part of the control system and any gas control, which has been under water.

- When used without adequate combustion and ventilation air, this heater may give off excessive CARBON MONOXIDE, an odorless, poisonous gas.

WARNING: Early signs of carbon monoxide poisoning resemble the flu, with headache, dizziness, and/or nausea. If you have these signs, the heater may not be working properly. Get fresh air at once! Have heater serviced.

Some people - pregnant women, persons with heart or lung disease, anemia, those under the influence of alcohol, those at high altitudes - are more affected by carbon monoxide than others.

- When heater is placed on the ground, make sure the ground is level and keep any objects at least 24 inches from the front of the heater. THIS HEATER IS EQUIPPED WITH A TIP OVER SWITCH THAT WILL SHUT THE HEATER OFF IF THE HEATER TIPS OVER HOWEVER, DO NOT LEAVE HEATER UNATTENDED OR WHERE CHILDREN MAY CAUSE THE HEATER TO TIP OVER. NEVER OPERATE THE HEATER WHILE SLEEPING!

GENERAL INFORMATION

- This heater is safe for indoor use in small recreational enclosures, having means for providing combustion air and ventilation, such as enclosed porches, cabins, fishing huts, trailers, tent trailers, tents, truck caps and vans. It may be used for emergency indoor heating when connected to a disposable 1 lb. propane cylinder.
- **Note:** The heater can be used outdoors, but may experience nuisance shutoffs due to certain wind conditions.
- When the heater is cold or at room temperature, it will take a few minutes for the burner tile to turn bright orange. This is normal and the heater is working properly. If burner tile is visibly flaming, turn heater off and call a qualified service technician.
- When the unit is lit, there should be about a quarter inch (1/4") border around the tile that will not turn bright orange. This is normal.

Specifications	
Model No.	MH4B
Input (Btu/Hr)	3,800
Gas Type	Propane (LP)
Clearance To Combustibles	
Top	30"
Front	24"
Sides	6"
Rear	0"

- When operating the heater for the first time, the top area of the reflector may discolor. This is also normal and is no reason for concern.
- **When operating the heater at altitudes over 7,000 FT. above sea level, the unit may not burn as bright as in lower altitudes. This is normal. At higher altitudes, the heater may shut-off. If this happens, provide fresh air, wait 5 minutes and re-light. Due to local atmospheric conditions heater may not re-light.**
- Operating time will be approximately 5 hours on a one 1lb. cylinder. Due to the properties of LP gas, runtimes can be significantly reduced when operating continuously at temperatures below 20°F.
- This heater is equipped with a tip-over safety switch. Nuisance shut-downs may be experienced if the unit is bumped or moved. if this occurs simply relight the heater.
- Due to natural operation of small tanks, condensation may build up on tank and drip on surface under heater. Sometimes this condensation may freeze due to the extreme cold caused when propane vaporizes. This is normal and no reason for alarm.

⚠ DANGER: NEVER bring a refillable propane cylinder indoors. A fire or explosion can occur causing property damage, serious injury, or death!

Lighting Instructions

ALWAYS ATTACH OR DETACH CYLINDER OUTDOORS AWAY FROM FLAMES, OTHER IGNITION SOURCES, AND ONLY WHEN HEATER IS COOL TO TOUCH. NEVER SMOKE WHEN ATTACHING OR REMOVING PROPANE CYLINDER OR MAKING REMOTE CONNECTIONS!

- The LP-gas cylinder(s) used must be constructed and marked in accordance with the specifications for LP-gas cylinders of the U.S. Department of Transportation (DOT).
- Use only VAPOR WITHDRAWAL propane supply. If there is any question about vapor withdrawal, ask your propane dealer.
- Use only 16.4 oz. (1 lb.) disposable cylinders that mate with No. 600 valve connection.
- This heater consumes oxygen from the room in which it is installed. To assure complete combustion, an adequate fresh air supply to the room, See **General Safety Instructions**, Page 3.
- Heater and attached cylinder must be in an upright position during operation.

IMPORTANT: The heater must not be exposed to flammable vapors or liquids during lighting.

1. Screw 1 lb. disposable LP-gas supply cylinder clockwise (from bottom) into portable heater until hand-tight and fit cylinder into stand. Do not use thread sealant on this connection.

IMPORTANT: Check cylinder connection for leaks with soapy water at the threaded connection under the domed plastic cover where the cylinder screws into the regulator. DO NOT USE ANY EXPOSED FLAME TO CHECK FOR LEAKS. DO NOT OVERTIGHTEN. SEE WARNING! ON PLASTIC COVER.

2. Depress "ON" button to light pilot flame (repeat until pilot lights) and continue to hold for 30-60 seconds. See Figure 1.
3. After lighting pilot, release "ON" button to light heater.

Shutdown Instructions

1. To shut off heater, press the "OFF" button. See Figure 1.
- Do not operate, store or remove cylinder near flammable items or ignition sources.
 - LP-GAS CYLINDERS MUST BE DISCONNECTED FROM HEATER WHEN NOT IN USE!

Maintenance

- Always keep the heater area clear and free from combustible materials, gasoline and other flammable vapors and liquids.
- Keep the vent areas (slots in the bottom and top of the heater) clear at all times.

IMPORTANT: The heater and its surroundings should be kept clean and free of dust.

- Visually inspect the pilot flame and burner periodically during use. The pilot flame should be blue in color (not yellow) and will extend to the thermocouple. The flame will surround the thermocouple just below the tip, see Figure 2.
- A slight yellow flame may occur where the pilot flame and main burner flame meet. The burner should be bright orange (with a slight blue color around the border, a red-orange haze that is visible on the ceramic tile is acceptable) and without a noticeable flame.
- A blue flame that rolls out at the top of the ceramic tile indicates an accumulation of dust, lint or spider webs inside the housing assembly and main burner assembly. If the pilot is yellow or the burner has a noticeable flame, cleaning may be required. Use the following procedure to inspect the casing assembly and main burner assembly. It is necessary to periodically check the burner orifice and burner venturi to make sure that they are clear of things such as insect nests and spider webs that may accumulate over time. A clogged tube can lead to a fire.



Figure 1

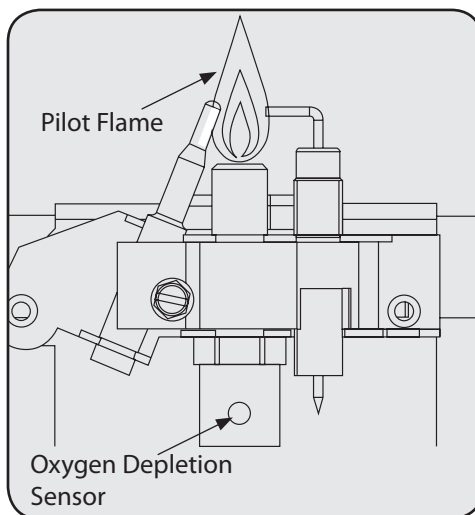


Figure 2

WARNING: Always inspect propane cylinder and heater propane connections for damage, dirt, and debris before attaching propane cylinder. Do not use if head of cylinder is damaged, punctured or deteriorated.

CAUTION: After turning heater off, wire guard will remain hot. Allow to thoroughly cool before storing.

WARNING: Never use needles, wires or similar cylindrical objects to clean the pilot to avoid damaging the calibrated ruby that controls the gas flow through the pilot orifice.

Cleaning Instructions (Refer to Exploded Parts on Page 6):

IMPORTANT: Allow heater to thoroughly cool before performing any maintenance.

1. Remove disposable 1 lb. propane cylinder from heater.
2. Remove right side plastic service panel (ref.5) by removing the six screws holding it in place.
3. Inspect the interior of casing for accumulation of dust, lint or spider webs. If necessary, clean the interior of the casing assembly with a vacuum cleaner or compressed air (max 30 psi). Do not damage any components within the casing assembly when you are cleaning.
4. Inspect and clean main burner (ref. 13) and orifice (ref. 3) by using a vacuum or compressed air (max 30 psi).
5. Inspect and clean pilot tube (ref. 14). Insert a doubled over pipe cleaner into the pilot tube until it bottoms against the pilot orifice (approximately 2"). Rotate the pipe cleaner a couple of times and remove. Blow out the remaining debris using compressed air.
6. Apply compressed air (max 30 psi) into the ceramic tile of burner assembly and venturi tube (ref. 13) to remove dust, lint and spider webs.
7. Reinstall the right side plastic service panel.
8. The exterior of the heater can be cleaned with a damp cloth. Avoid the direct use of any aerosol or spray-on cleaners. Do not use abrasive materials or cleaners on the decals or control knob.

OFFSEASON

- If the heater is to left "OFF" for a considerable period of time, the propane (LP) gas supply to the heater should be turned off as close to the gas source as possible. In the case of portable use, the gas should be turned off at the propane (LP) gas supply cylinder.
- If the heater is put into storage, make sure to disconnect the propane (LP) gas cylinder.
- When the LP-gas cylinder is not disconnected from the heater, the heater and cylinder must be located outdoors, in a well-ventilated space, out of the reach of children, and must not be stored in a building, garage, or any other enclosed area.
- Storage of the heater indoors is permissible only if the cylinder is disconnected and removed from the heater. Cylinders must be stored outdoors, in a well-ventilated space, out of the reach of children, and must not be stored in a building, garage, or any other enclosed area.

SYMPTOM

• For additional assistance or information, please call Technical services.

• **Spark electrode does not produce spark.**

CAUSE

REMEDY

1. Spark electrode broken.

1. Replace ODS (Oxygen Depletion Sensor).

2. Igniter wire may not be attached to spark electrode.

2. Attach igniter wire.

3. Igniter wire damaged.

3. Replace igniter wire.

4. Piezo igniter is defective.

4. Replace gas valve assembly.

SYMPTOM

• **Spark electrode produces spark but pilot does not light.**

CAUSE

REMEDY

1. No gas to heater.

1. Connect hose to heater and turn on valve at remote cylinder.

2. Pilot is blocked with foreign debris.

2. Clean pilot. See MAINTENANCE section.

SYMPTOM

• **Pilot flame does not stay lit when knob is released.**

CAUSE

REMEDY

1. Improper pilot lighting.

1. Make sure that the control knob is completely depressed in the "PILOT" position and held long enough to purge air from lines and to heat up thermocouple once the pilot flame appears.

2. Pilot flame not surrounding thermocouple.

2. Clean pilot, see MAINTENANCE.

3. Pilot Assembly is defective.

3. Replace Pilot Assembly.

4. Tip switch wires are disconnected.

4. Connect tip switch wires. (check off switch and off switch wiring).

SYMPTOM

• **Main burner does not ignite.**

CAUSE

REMEDY

1. Main burner orifice is blocked.

1. Clean burner - see Maintenance.

SYMPTOM

• **Heater keeps shutting "OFF" during normal operation.**

CAUSE

REMEDY

1. Pilot is blocked.

1. Clean pilot. See MAINTENANCE section.

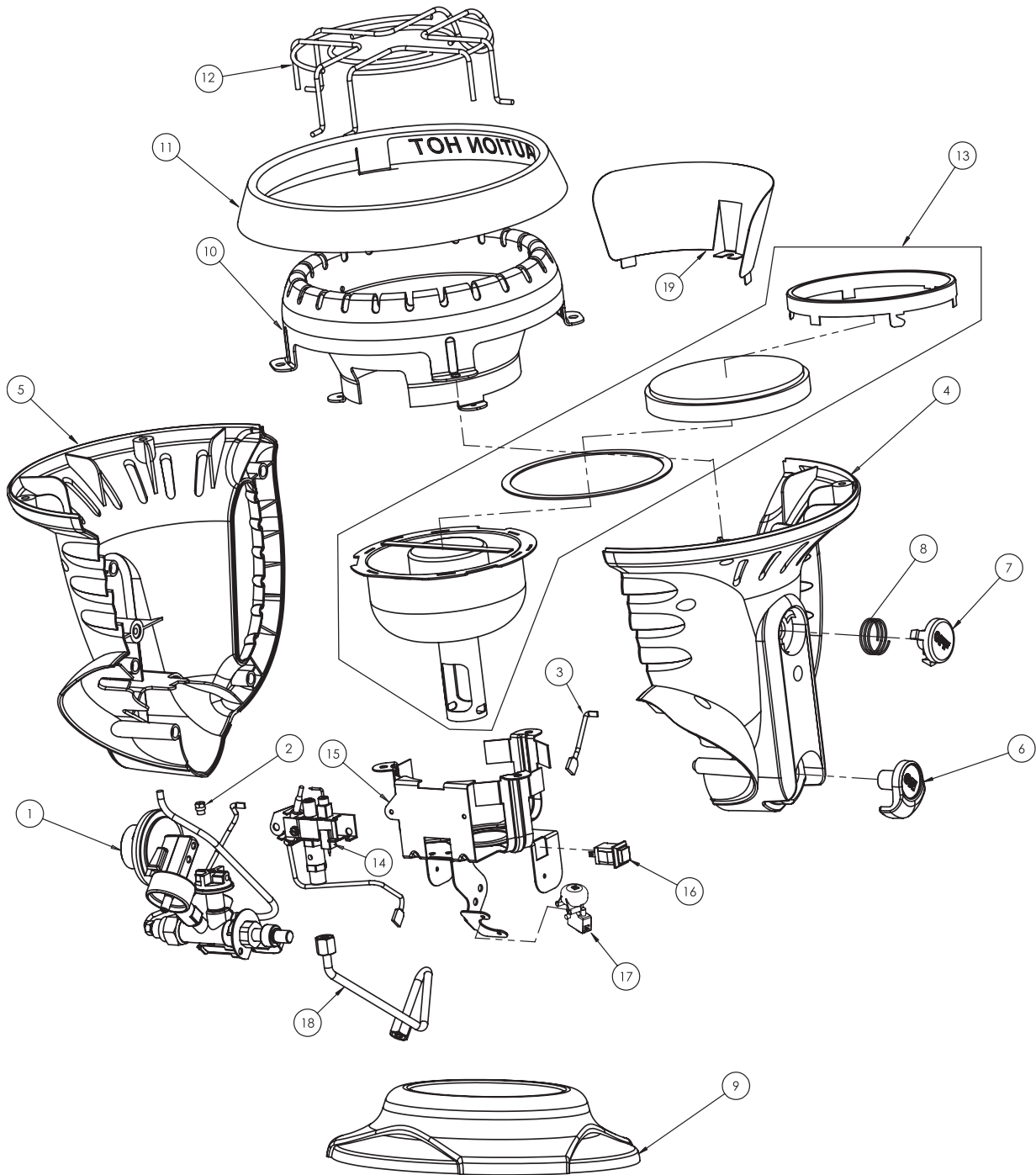
2. Inadequate fresh air opening.

2. Provide minimum fresh air opening of 4 square inches (example 2" x 2" opening).

3. Tip over switch activated from bumping heater.

3. Re-light.

Mr. Heater • Portable Radiant Buddy Heater • Model # MH4B



Item No.	Part No.	Description	Item No.	Part No.	Description
1	15117	Regulator/Valve Assembly	11	15158	Reflector Ring
2	15151	Orifice	12	15162	Wire Guard
3	15163	Off Button Wire	13	15138	Burner Assembly
4	15126	Left Housing	14	15155	ODS/Pilot Assembly
5	15128	Right Service Housing	15	15153	Burner Bracket
6	15122	On Button	16	15145	Off Switch
7	15123	Off Button	17	42116	Tipover Switch
8	15165	Off Button Spring	18	15148	Pilot Fuel Line
9	15124	Tank Base	19	15154	Heat Shield
10	15157	Reflector Panel			

NEVER LEAVE THE HEATER UNATTENDED WHILE BURNING!

WARRANTY AND PARTS ORDERING

PORTABLE RADIANT BUDDY HEATER



Model # MH4B

READ INSTRUCTIONS CAREFULLY: Read and follow all instructions. Place instructions in a safe place for future reference. Do not allow anyone who has not read these instructions to assemble, light, adjust or operate the heater.

⚠️WARNING:

USE ONLY MANUFACTURER'S REPLACEMENT PARTS. USE OF ANY OTHER PARTS COULD CAUSE INJURY OR DEATH. REPLACEMENT PARTS ARE ONLY AVAILABLE DIRECT FROM THE FACTORY AND MUST BE INSTALLED BY A QUALIFIED SERVICE AGENCY.

⚠️WARNING:

THIS PRODUCT IS A HEATER. IT IS CERTIFIED TO ANSI INTERNATIONAL REQUIREMENT SECTION Z21.103-2017, "UNVENTED PORTABLE TYPE GAS CAMP HEATERS FOR INDOOR AND OUTDOOR USE". THIS PRODUCT IS NEVER TO BE USED FOR THE COOKING OR WARMING OF FOODS AS DOING SO CAN INTERFERE WITH THE SAFETY SYSTEMS OF THE HEATER, WHICH MAY RESULT IN A FIRE, EXPLOSION, THE PRODUCTION OF DEADLY CARBON MONOXIDE, AND PERSONAL INJURY OR DEATH TO YOU OR OTHERS. NEVER USE HAND-MADE OR THIRD PARTY ACCESSORIES OR ATTACHMENTS WITH THIS HEATER; THIS IS EXTREMELY DANGEROUS AND MAY RESULT IN PERSONAL INJURY OR DEATH TO YOU OR OTHERS.

PARTS ORDERING INFORMATION

PURCHASING: Accessories may be purchased at any Mr. Heater local dealer or direct from the factory
FOR INFORMATION REGARDING SERVICE

Please call Toll-Free 800-251-0001

Or visit www.mrheater.com

Our office hours are 8:00 AM – 5:00 PM, EST, Monday through Friday.

Please include the model number, date of purchase, and description of problem in all communication.

LIMITED WARRANTY

Mr. Heater, Inc. warrants its heaters and accessories to be free from defects in material and workmanship for a period of 1 year from date of purchase. Mr. Heater, Inc. will repair or replace this product free of charge if it has been proven to be defective within the 1-year period, and is returned at customer expense with proof of purchase to Mr. Heater, Inc. within the warranty period. **DISCLAIMER:** This warranty does not cover any product that: a) has been subject to misuse or neglect; b) has been used in a manner inconsistent with the warnings and instructions contained in the owner's manual, including but not limited to using a heater for the cooking or warming of foods; or c) has been used with hand-made or third party accessories or attachments.

This warranty gives you specific legal rights, and you may also have other rights which vary from state to state.

Mr. Heater, Inc. reserves the right to make changes at any time, without notice or obligation, in colors, specifications, accessories, materials and models.

PRODUCT REGISTRATION: Thank you for your purchase.
Please log in to <http://www.egiregistration.com> to register your product.



MR. HEATER, INC., 4560 W. 160TH ST., CLEVELAND, OHIO 44135 • 800-251-0001
Mr. Heater is a registered trademark of Enerco Group, Inc.
© 2020, Enerco/Mr. Heater. All rights reserved

¡NUNCA DEJE EL CALEFACTOR DESATENDIDO MIENTRAS ESTÉ ENCENDIDO!

INSTRUCCIONES DE USO Y MANUAL DEL USUARIO

RADIANTE PORTÁTIL CALENTADOR DE AMIGOS

Modelo MH4B



Calentador portátil de propano PARA
USO EN EL INTERIOR DE RECREO Y DE
EMERGENCIA

PARA VENTA EN LOS EE.UU.
EXCEPTO EN MASSACHUSETTS

IDIOMAS INCLUIDOS:

- INGLÉS
- ESPAÑOL

Utilice únicamente accesorios de marca
Mr. Heater (Ver página 8 para obtener
información de **ADVERTENCIA**)



⚠️ ADVERTENCIA:

Si no se siguen al pie de la letra las instrucciones de este manual, podría producirse un incendio o una explosión que provocaría daños materiales, lesiones o muertes.

No almacene ni utilice gasolina ni ningún otro vapor ni líquido inflamable cerca de este ni de ningún otro artefacto.

QUÉ HACER SI DETECTA OLOR A GAS

- No intente encender el artefacto.
- No toque ningún interruptor eléctrico; no use ningún teléfono en el edificio.
- Llame inmediatamente a la compañía de gas desde el teléfono de un vecino. Siga las instrucciones de la compañía de gas.
- Si no se puede comunicar con la compañía de gas, llame a los bomberos o a una empresa de servicios calificada.

La instalación y la reparación deben ser realizadas por un instalador calificado, agencia de reparaciones o la compañía de gas.

Este calefactor portátil a gas no tiene una fuente propia de ventilación. Utiliza el aire (oxígeno) del área en la cual se emplea. Debe suministrarse el aire necesario para la ventilación y la combustión. Ver página 3.

LEA CUIDADOSAMENTE LAS INSTRUCCIONES: SU SEGURIDAD ES IMPORTANTE PARA USTED Y PARA LOS DEMÁS. Lea y siga todas las instrucciones. Conserve estas instrucciones en un lugar seguro para futura referencia. No permita que nadie que no haya leído estas instrucciones arme, encienda, ajuste o use el calefactor.

⚠️ ADVERTENCIA:

Los signos iniciales del envenenamiento con monóxido de carbono pueden parecer una gripe, con dolor de cabeza, mareos y/o náusea. Si presenta alguno de estos síntomas, puede ser que el calefactor no esté funcionando correctamente. ¡Obtenga aire fresco inmediatamente! Repare el calefactor.

⚠️ ADVERTENCIA:

Cada vez que se conecte la manguera o el tanque a la unidad, hay que verificar que hayan fugas de una o más formas: Colocando agua jabonosa en la conexión y buscando burbujas, escuchando el silbido que produce el escape de gas, detectando frío extremo, sintiendo olor a huevo podrido.
¡No lo use si tiene fugas!

⚠️ ADVERTENCIA:

Este producto puede exponerlo a productos químicos, incluyendo plomo y compuestos de plomo, que de acuerdo con el Estado de California producen cáncer y defectos de nacimiento u otros daños reproductivos. Por mayor información, visite www.P65Warnings.ca.gov

⚠️ ADVERTENCIA:

Los combustibles utilizados en los artefactos a gas licuado de propano y los productos de la combustión de dicho combustible pueden exponerlo a sustancias químicas, incluido el benceno, que según el estado de California puede provocar cáncer y causar defectos de nacimiento u otros daños reproductivos. Visite www.P65Warnings.ca.gov por mayor información.

⚠️ ADVERTENCIA:

Cualquier cambio realizado a este calefactor o a sus controles puede ser peligroso.

**⚠️ ADVERTENCIA:
EL ENVENENAMIENTO POR
MONÓXIDO DE CARBONO
PUEDE CAUSAR LA MUERTE
O LESIONES**

Si se utiliza sin suficiente aire de combustión y de ventilación, el calefactor puede producir MONÓXIDO DE CARBONO excesivo, un gas venenoso e inodoro.

Este es un calefactor a gas que no tiene una fuente propia de ventilación. El calefactor utiliza el aire (oxígeno) del área en la cual se emplea. Debe suministrarse el aire necesario para la ventilación y la combustión. Consulte las INSTRUCCIONES GENERALES DE SEGURIDAD por requisitos más específicos con respecto al aire de combustión y a la ventilación adecuados (página 3).

**⚠️ ADVERTENCIA:
PELIGRO DE INCENDIO Y
EXPLOSIÓN**

Si siente olor a gas:

- 1. No intente encender el artefacto.**
- 2. Apague todas las llamas expuestas.**
- 3. Desconecte el suministro de combustible.**
- 4. Abandone inmediatamente el área.**
- 5. Permita que el gas se disipe durante 5 minutos antes de volver a encender el artefacto.**

No almacene ni utilice gasolina ni ningún otro vapor ni líquido inflamable cerca de este ni de ningún otro artefacto.

El no seguir estas instrucciones puede causar una explosión o incendio que podría causar daños materiales, heridas graves o la muerte.

CONTENIDO

- 2 Advertencias
- 3 Instrucciones generales de seguridad
- 3 Información general
- 4 Funcionamiento
 - Encendido
 - Apagar
 - Mantenimiento
- 5 Diagnóstico de fallas
- 6 Lista de partes
- 8 Ordenar partes/Garantía

AVISO:

Cuando utilice el calentador en altitudes más de de 7.000 metros sobre el mar nivelar el calentador puede apagar. (Por favor, lea la información general)

⚠️ ADVERTENCIA:

Si el recinto recreativo no tiene una ventana o una ventilación en el techo, **NO USE ESTE CALEFACTOR EN SU INTERIOR.**

Este calefactor está equipado con un SISTEMA DE SEGURIDAD diseñado para apagar el calefactor si no cuenta con suficiente aire fresco.

**⚠️ ADVERTENCIA:
¡NO ALTERE EL SISTEMA DE
SEGURIDAD!**

Si el calefactor se apaga, no vuelva a encenderlo antes de dejar entrar aire fresco. Si el calefactor sigue apagándose, hágalo reparar. Mantenga el quemador y los componentes de control limpios.

INSTRUCCIONES GENERALES DE SEGURIDAD

ESTE ES UN ARTEFACTO DE CALEFACCIÓN. NO USE ESTE ARTEFACTO SIN LA PARRILLA DELANTERA INSTALADA. NO INTENTE CALENTAR O COCINAR ALIMENTOS EN ESTE CALEFACTOR.

- No use accesorios no probados en este calentador.
- Debido a las altas temperaturas, el calentador debe colocarse fuera de los lugares por donde transitan personas y lejos de materiales combustibles.
- Se deberá alertar a los niños y a los adultos del peligro de las superficies con altas temperaturas, y que deben mantenerse alejados para evitar quemaduras o que se les prenda fuego la ropa.
- No deje el calefactor desatendido mientras esté funcionando. Mantenga a los niños y a las mascotas alejados del calefactor todo el tiempo.
- No coloque ropa u otros materiales inflamables sobre el calentador o cerca de él.
- No haga funcionar el calentador en vehículos en movimiento.
- Solo se pueden usar cilindros desechables marcados con el tipo de combustible apropiado aprobado para el aparato.
- Este calentador sólo puede utilizarse en un ambiente de recreación o comercial que tenga una ventana o una ventilación en el techo. También puede utilizarse en el exterior.
- Este calentador necesita una superficie de ventilación mínima de 4 pulgadas cuadradas (25,8 cm cuadrados), (por ejemplo, una ventilación de 2 pulgadas x 2 pulgadas, o de 5 cm x 5 cm) en el techo y al nivel del piso, para una ventilación adecuada durante su funcionamiento. No utilice otros aparatos a combustible en el mismo ambiente.
- LA PRESIÓN DEL GAS EN EL CALENTADOR ESTÁ REGULADA Y FIJADA EN 11" W.C.
- MIENTRAS ESTÉ EN USO EL CALENTADOR, SIEMPRE DEBE ESTAR FUNCIONANDO EL REGULADOR.
- Toda pantalla o protección de seguridad que se haya quitado para realizar el mantenimiento deberá volver a instalarse antes de poner en funcionamiento el calentador.
- El calentador debe inspeccionarse antes de cada uso. Es posible que sea necesario realizar limpiezas frecuentes. Los compartimientos de control, el quemador y los lugares por donde circula el aire del calentador deben mantenerse limpios (consultar la sección de MANTENIMIENTO).
- NO use este calentador si alguna de sus partes se ha sumergido en agua.

Llame inmediatamente a un servicio técnico habilitado para que inspeccione el calentador y reemplace toda parte del sistema de control y del control del gas que haya estado sumergida en agua.

- Cuando se lo utiliza con una combustión o una ventilación de aire inadecuada, este calentador puede emitir exceso de MONÓXIDO DE CARBONO, un gas tóxico inodoro.

ADVERTENCIA: Los signos iniciales de envenenamiento con monóxido de carbono pueden parecer una gripe, con dolor de cabeza, mareos y/o náusea. Si presenta alguno de estos síntomas, puede ser que el calefactor no esté funcionando correctamente. ¡Obtenga aire fresco inmediatamente! Haga que alguien realice el servicio de mantenimiento en el calefactor.

A algunas personas (p. ej., las mujeres embarazadas, las personas con enfermedad cardíaca o pulmonar, anemia, bajo la influencia del alcohol, o que viven en la altura) las afecta más el monóxido de carbono que a otras.

- Cuando coloca el calentador en el suelo, asegúrese de que esté nivelado y mantenga los objetos al menos a 24 pulgadas (61 cm) de distancia del frente del calentador. ESTE CALENTADOR ESTÁ EQUIPADO CON UN INTERRUPTOR DE SEGURIDAD QUE LO APAGARÁ SI SE CAE; SIN EMBARGO, PRÉSTELE ATENCIÓN Y NO LO DEJE EN DONDE LOS NIÑOS PUEDAN HACERLO CAER. ¡NUNCA HAGA FUNCIONAR EL CALENTADOR MIENTRAS DUERME!

INFORMACIÓN GENERAL

- Este calentador es seguro para uso en interiores de ambientes recreacionales pequeños, que tengan medios de suministro de aire para la combustión y ventilación, como galerías, cabañas, refugios de pesca, remolques, carpas remolque, carpas, cabinas de camiones y camionetas. Puede ser utilizado para la calefacción de emergencia interior cuando está conectado a un cilindro de propano desechable 1 lb

Nota: El calentador puede utilizarse en el exterior, pero tenga en cuenta que se puede apagar con el viento.

- Cuando el calentador está frío o a temperatura ambiente, el azulejo del quemador tardará algunos minutos en volverse anaranjado. Esto es normal e indica que el calentador está funcionando correctamente.

Especificaciones	
No. de modelo	MH4B
Entrada (BTU/h)	3.800
Tipo de gas	Propano (LP)
Distancia a combustibles	
Parte superior	30"
Frente	24"
Costados	6"
Parte posterior	0"

Si el azulejo del quemador está visiblemente en llamas, apague el calentador y llame a un servicio técnico habilitado.

- Cuando el aparato está encendido, un cuarto de pulgada (1/4"; 0,6 cm) alrededor del borde del azulejo no se volverá anaranjado brillante. Esto es normal.
- Cuando el calentador funciona por primera vez, la parte superior del reflector puede perder el color. Esto también es normal y no hay razón para preocuparse.
- **Cuando el calentador funciona a alturas superiores a los 7.000 pies de altitud (2.100 metros) sobre el nivel del mar, es posible que la unidad no arda con un color tan brillante como en altitudes menores. Esto es normal. En altitudes mayores, el calentador puede apagarse. Si ocurre esto, debe permitir que entre aire fresco, esperar 5 minutos y encender nuevamente. Debido a las condiciones atmosféricas locales, es posible que el calentador no encienda.**
- El tiempo de funcionamiento será de aproximadamente 5 horas y media con un cilindro de una libra. Debido a las propiedades de gas de LP, los tiempos de ejecución pueden ser considerablemente reducidos haciendo funcionar continuamente en temperaturas abajo 20°F.
- Cuando mueva, encienda o golpee el calentador, éste podrá inclinarse y el interruptor de seguridad podrá apagarlo. Si pasa esto, vuelva a encenderlo.
- Debido al funcionamiento normal de los tanques pequeños, se puede formar condensación sobre ellos y gotear sobre la superficie que se halla debajo del calentador.

⚠ PELIGRO: NUNCA lleve un cilindro de propano recargable al interior. ¡Podría causar un incendio o una explosión con daños materiales, lesiones serias o la muerte!

INSTRUCCIONES DE ENCENDIDO

SIEMPRE CONECTE Y DESCONECTE EL CILINDRO DE GAS EN EL EXTERIOR, LEJOS DE LAS LLAMAS Y OTRAS FUENTES DE COMBUSTIÓN, Y SÓLO CUANDO EL CALENTADOR ESTÉ FRÍO AL TACTO. ¡NUNCA FUME CUANDO CONECTA O DESCONECTA EL CILINDRO DE PROPANO NI CUANDO REALIZA LAS CONEXIONES REMOTAS!

- Los cilindros de gas LP utilizados deben estar contruidos y marcados de acuerdo con las especificaciones para cilindros de gas LP del Departamento de Transporte de los Estados Unidos (DOT).
- Utilice únicamente el suministro de propano de RETIRO DE VAPOR. Si tiene alguna pregunta sobre la extracción de vapor, consulte a su distribuidor de propano.
- Use sólo los cilindros descartables de 16,4 onzas (1 lb.) que se ajustan con la válvula de conexión N. 600.
- Este calefactor consume oxígeno de la habitación en la que esté instalado. Para asegurar una combustión completa y un suministro adecuado de aire fresco a la habitación, consulte las Instrucciones generales de seguridad, página 3.
- El calefactor y el cilindro deben estar en posición vertical durante su uso.

IMPORTANTE: El calefactor no debe exponerse a vapores o líquidos inflamables durante el encendido.

1. Enrosque el cilindro de suministro de gas propano de 1 libra en el sentido de las agujas del reloj (desde abajo) en el calefactor portátil hasta que quede apretado, y ajuste el cilindro en el soporte. No use el sellador de hilo en esta union.

IMPORTANTE: Verifique que la conexión del cilindro no tenga pérdidas colocando agua jabonosa en la conexión enroscada debajo de la cubierta plástica abovedada donde el cilindro se atornilla en el regulador. NUNCA USE UNA LLAMA PARA BUSCAR FUGAS. NO LAS AJUSTE DE MÁS. VER LA ¡ADVERTENCIA! EN LA CUBIERTA PLÁSTICA.

2. Pulse el botón "ON" para encender la llama del piloto (repita la operación hasta que se encienda el piloto) y manténgalo presionado durante 30-60 segundos. Ver Figura 1.
3. Después de que se encienda el piloto, suelte el botón "ON" para encender el calefactor.

Instrucciones de apagado

1. Para apagar el calentador, pulse el botón "OFF". Ver Figura 1.
- No manipular, guardar o quitar el cilindro cerca de elementos inflamables o fuentes de combustión.
 - ¡LOS CILINDROS DE GAS PROPANO DEBEN DESCONECTARSE DEL CALENTADOR CUANDO NO ESTÉ EN USO!

Mantenimiento

- Mantenga siempre el lugar en donde se encuentra el calentador despejado y sin elementos combustibles, gasolina y otros vapores y líquidos inflamables.
- Saque todos los elementos que puedan obstruir los puntos de ventilación (esto es, las ranuras de la parte superior e inferior del calefactor).

IMPORTANTE: El calefactor y sus alrededores deben mantenerse limpios y libres de polvo.

- Inspeccione la llama del piloto y el quemador en forma visual y periódica durante el uso del calefactor. La llama del piloto debe ser de color azul (no amarillo) y debe extenderse hasta el termopar, o sensor de temperatura. La llama debe rodear el termopar justo debajo del extremo (ver Figura 2).
- Puede presentarse una llama levemente amarilla donde se cruzan las llamas del piloto y la llama principal del quemador. El quemador debe ser anaranjado brillante (con un color azul claro alrededor del borde; una bruma naranja rojiza que se ve en el azulejo de cerámica es aceptable) y no debe tener una llama perceptible.
- Una llama azul que se eleva de la parte superior del azulejo de cerámica indica una acumulación de polvo, pelusa o telas de araña dentro del conjunto de la cubierta y del conjunto principal del quemador. Si la llama del piloto es amarilla necesite una limpieza. Utilice el siguiente procedimiento para inspeccionar el conjunto de la carcasa y el conjunto principal del quemador. Es necesario revisar periódicamente el orificio y el quemador Venturi para asegurarse de que no contengan insectos, nidos ni telas de araña que puedan acumularse con el trascurso del tiempo. Un tubo tapado puede producir un incendio.



Figura 1

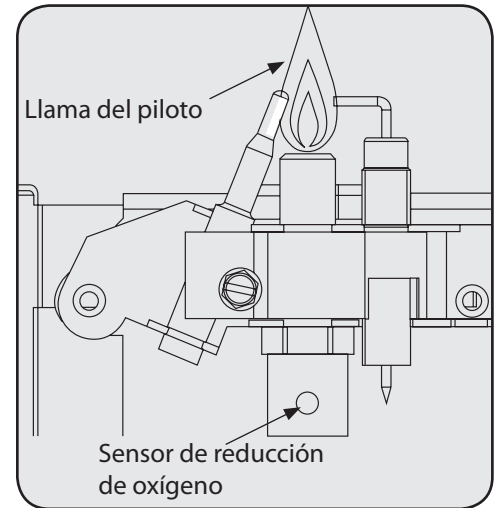


Figura 2

¡ADVERTENCIA! Revise siempre el cilindro de propano antes de conectarlo, como también las conexiones de propano del calefactor para detectar daños, suciedad y desechos. No use el calefactor si el cabezal del cilindro está dañado, pinchado o deteriorado.

¡CUIDADO! Después de apagar el calefactor, la rejilla de protección permanecerá caliente. Déjala que se enfríe completamente antes de guardarlo.

¡ADVERTENCIA! Nunca use agujas, cables u objetos cilíndricos similares para limpiar el piloto, ya que pueden dañar el rubí calibrado que controla el flujo de gas a través del orificio del piloto.

Instrucciones de limpieza (consulte Piezas en despiece en la página 6):

IMPORTANTE: Deje enfriar completamente el calentador antes de realizar cualquier mantenimiento.

1. Quite el cilindro de propano descartable de 1 lb. del calentador.
2. Quite el panel plástico de servicio del lado derecho (ref. 5) desatornillando los seis tornillos que lo sostienen.
3. Inspeccione el interior de la carcasa para detectar la acumulación de polvo, pelusas o telas de araña. Si es necesario, limpie el interior del conjunto de la carcasa con una aspiradora o aire comprimido (máximo 30 PSI). Al limpiarlo, no dañe ningún componente del conjunto de la carcasa.
4. Inspeccione y limpie el quemador principal (ref. 13) y el orificio (ref. 3) utilizando una aspiradora o aire comprimido (máximo 30 PSI).
5. Inspeccione y limpie el tubo del piloto (ref. 14). Inserte un limpiador de tubería doble en el tubo del piloto hasta que llegue al orificio del piloto (aprox. 2" [5 cm]). Haga rotar el limpiador de tubería un par de veces y extraígallo. Elimine la suciedad restante con aire comprimido.
6. Aplique aire comprimido (máximo 30 PSI) en el azulejo de cerámica del conjunto del quemador y del tubo Venturi (ref. 13) para quitar el polvo, la pelusa o las telas de araña.
7. Vuelva a colocar el panel plástico de servicio.
8. Puede limpiar el exterior del calefactor con un trapo húmedo. Evite usar directamente aerosoles o limpiadores en aerosol. No use materiales abrasivos o limpiadores en las etiquetas o en la perilla de control.

FUERA DE TEMPORADA

- Si el calefactor se deja "APAGADO" durante un tiempo considerable, hay que cerrar el suministro de gas propano (LP) lo más cerca posible de la fuente de gas. En el caso de uso portátil, debe cerrar la llave de suministro de gas propano (LP) en el tanque de gas propano (LP).
- Si el calefactor se almacena, asegúrese de desconectar el cilindro de gas propano (LP).
- Cuando el cilindro de gas LP no esté desconectado del calefactor, el calefactor y el cilindro deben ubicarse al aire libre, en un espacio bien ventilado, fuera del alcance de los niños, y no deben almacenarse en un edificio, garaje o cualquier otro lugar cerrado.
- El almacenamiento del calefactor en el interior está permitido solo si el cilindro se desconecta y se remueve del calefactor. Los cilindros deben almacenarse al aire libre, en un espacio bien ventilado, fuera del alcance de los niños, y no deben almacenarse en un edificio, garaje o cualquier otro lugar cerrado.

SÍNTOMA

• Por asistencia o información adicional, llame a Servicio Técnico.

• **El electrodo de encendido no produce chispa.**

CAUSA

1. Electrodo de encendido roto.
2. El cable del encendedor puede no estar conectado al electrodo de encendido.
3. Cable del encendedor dañado.
4. El encendedor piezoeléctrico está roto.

SOLUCIÓN

1. Reemplace el ODS (sensor de disminución de oxígeno).
3. Conecte el cable del encendedor.
3. Reemplace el cable del encendedor.
4. Reemplace la válvula de gas.

SÍNTOMA

• **El electrodo de encendido produce chispa pero el piloto no se enciende.**

CAUSA

1. No llega gas al calefactor.
2. El piloto está bloqueado con residuos.

SOLUCIÓN

1. Conecte la manguera al calefactor y abra la válvula en el cilindro remoto.
2. Limpie el piloto. Consulte la sección MANTENIMIENTO.

SÍNTOMA

• **La llama del piloto no permanece encendida cuando se suelta la perilla.**

CAUSA

1. Encendido incorrecto del piloto.
2. La llama del piloto no rodea la termocupla.
3. El mecanismo del piloto está defectuoso.
4. Los cables del interruptor contra caídas están desconectados.

SOLUCIÓN

1. Asegúrese de que la perilla de control esté completamente presionada en la posición "PILOT" y que se mantenga el tiempo suficiente como para purgar el aire de las líneas y calentar la termocupla una vez que aparezca la llama.
2. Limpie el piloto, consulte MANTENIMIENTO.
3. Reemplace el mecanismo del piloto.
4. Conecte los cables del interruptor contra caídas.

SÍNTOMA

• **El quemador principal no enciende.**

CAUSA

1. El orificio principal del quemador está bloqueado.

SOLUCIÓN

1. Limpie el quemador - consulte MANTENIMIENTO.

SÍNTOMA

• **El quemador se apaga ("OFF") mientras está funcionando.**

CAUSA

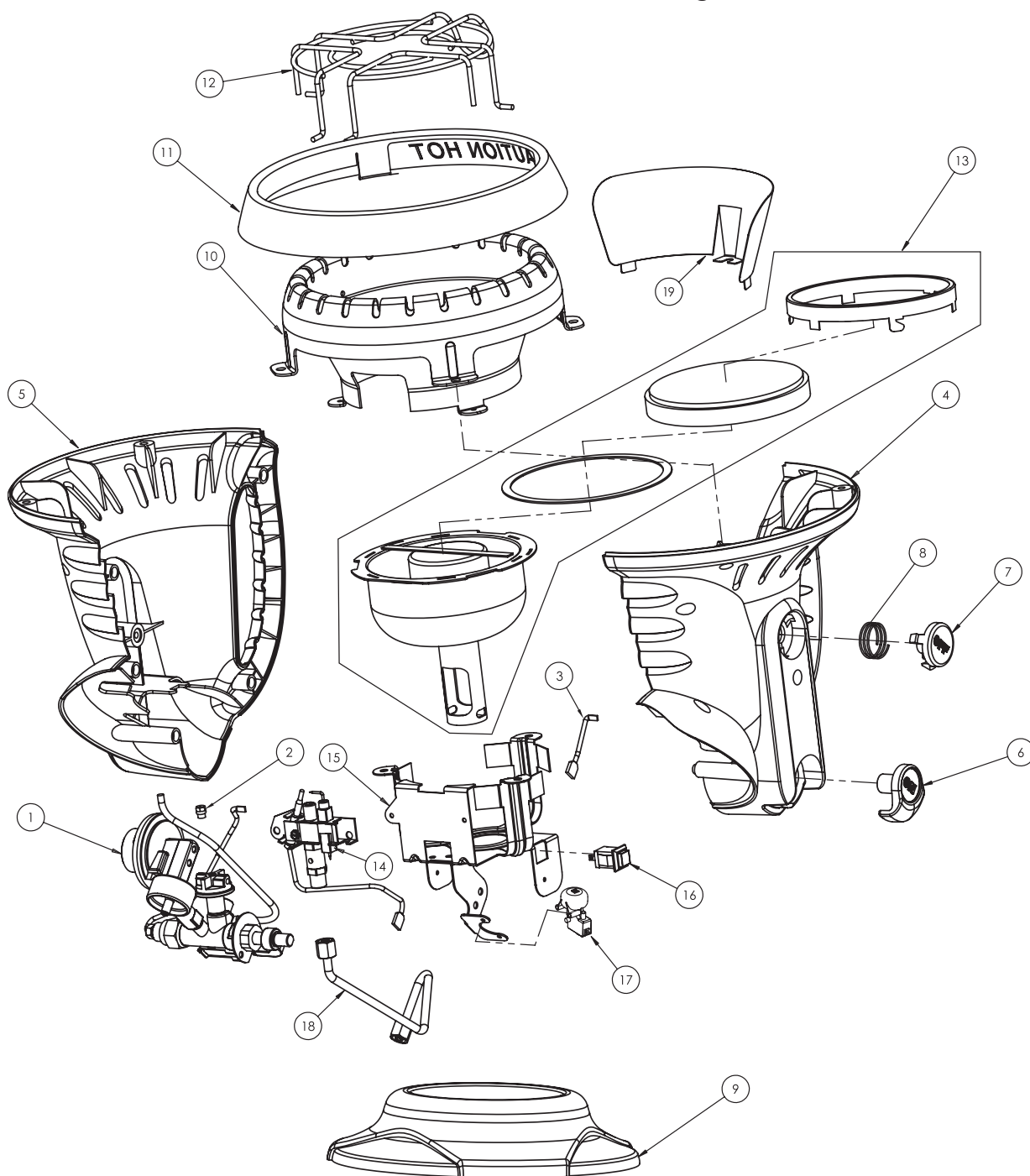
1. El piloto está bloqueado.
2. Entrada de aire fresco inadecuada.
3. Interruptor contra caídas activado por golpear el calefactor.

SOLUCIÓN

1. Limpie el piloto. Consulte la sección MANTENIMIENTO.
2. Deje una ventilación mínima de aire fresco de 25,8 cm cuadrados (ejemplo: una abertura de 5 cm x 5 cm).
3. Vuelva a encenderlo.

Mr. Heater • Radiante Portátil Calentador de Amigos • Modelo MH4B

LISTA DE PARTES



No.	PIEZA No.	Descripción
1	15117	Regulador/Conjunto de la válvula
2	15151	Orificio
3	15163	Cable del botón de apagado
4	15126	Cubierta izquierda
5	151528	Cubierta derecha de servicio
6	15122	Botón ON (de encendido)
7	15123	Botón OFF (de apagado)
8	15165	Resorte del botón de apagado
9	15124	Base del tanque
10	15157	Panel del reflector
11	15158	Anillo del reflector
12	15162	Rejilla de protección
13	15135	Conjunto del quemador
14	15155	Conjunto del ODS/Piloto
15	15153	Soporte del quemador
16	15145	Interruptor de apagado
17	42116	Interruptor de seguridad
18	15148	Línea de combustible del piloto
19	15154	Pantalla térmica

GARANTÍA Y COMPRA DE PIEZAS

RADIANTE PORTÁTIL CALENTADOR DE AMIGOS

Modelo MH4B



LEA CUIDADOSAMENTE LAS INSTRUCCIONES: Lea y siga todas las instrucciones. Conserve estas instrucciones en un lugar seguro para futura referencia. No permita que nadie que no haya leído estas instrucciones arme, encienda, ajuste o use el calefactor.

⚠️ ADVERTENCIA:

USE SÓLO LOS REPUESTOS PROVISTOS POR EL FABRICANTE. EL USO DE CUALQUIER OTRO REPUESTO PUEDE CAUSAR LESIONES O LA MUERTE. LAS PIEZAS DE REPUESTO SÓLO ESTÁN DISPONIBLES DIRECTAMENTE DE FÁBRICA Y DEBEN SER INSTALADAS POR UN SERVICIO TÉCNICO HABILITADO.

⚠️ ADVERTENCIA:

ESTE PRODUCTO ES UN CALENTADOR. SE CERTIFIQUE A ANSI INTERNATIONAL SECCIÓN DE REQUISITOS Z21.103-2017, "CALENTADORES DE CAMPO DE GAS TIPO PORTÁTIL SIN VENTILACIÓN PARA USO INTERIOR Y EXTERIOR". ESTE PRODUCTO ES NUNCA UTILIZADO PARA LA COCCIÓN O CALENTAMIENTO DE ALIMENTOS YA QUE ESTO PUEDE INTERFERIR CON LOS SISTEMAS DE SEGURIDAD DEL CALENTADOR, QUE PUEDEN RESULTAR EN UN INCENDIO, EXPLOSIÓN, EL PRODUCCIÓN DE MORTAL MONÓXIDO DE CARBONO, Y LESIONES O LA MUERTE A USTED U OTROS. NUNCA USO ARTESANAL O DE TERCERAS PARTES ACCESORIOS O COMPLEMENTOS CON ESTE CALENTADOR; ESTO ES EXTREMADAMENTE PELIGROSO Y PUEDE RESULTAR EN LESIONES O LA MUERTE A USTED U OTROS.

INFORMACIÓN PARA ORDENAR PARTES

COMPRAS: Puede comprar accesorios en cualquier distribuidor local de Mr. Heater o directamente de la fábrica.

POR INFORMACIÓN ACERCA DE REPARACIONES

Llame sin cargo al 800-251-0001

o visite www.mrheater.com

Nuestro horario de trabajo es de 08:00 AM a 5:00 PM, de lunes a viernes, hora del este.

Por favor, incluya el número de modelo, la fecha de compra y la descripción del problema en todas sus comunicaciones.

GARANTÍA LIMITADA

Mr. Heater, Inc. garantiza la calidad del material y la fabricación de sus calefactores y accesorios por un período de 1 año a partir de la fecha de compra. Mr. Heater, Inc. reparará o reemplazará este producto sin cargo si presentara desperfectos dentro del primer año tras realizada la compra, siempre y cuando el cliente costee la devolución y presente el comprobante de compra a Mr. Heater Inc. dentro del período de garantía. **DESCARGO DE RESPONSABILIDAD:** Esta garantía no cubre ningún producto que: a) haya estado sujeto a mal uso o negligencia; b) se haya utilizado de manera inconsistente con las advertencias e instrucciones contenidas en el manual del propietario, incluyendo, entre otros, el uso de un calefactor para cocinar o calentar alimentos; o c) se haya utilizado con accesorios hechos a mano o de terceros. Esta garantía le otorga derechos legales específicos, y usted puede también tener otros derechos los que varían de un estado a otro.

Mr. Heater Inc. se reserva el derecho de hacer cambios en cualquier momento, sin previo aviso, en los colores, especificaciones, accesorios, materiales y modelos.

REGISTRO DEL PRODUCTO: Gracias por su compra.
Ingrese a <http://www.egiregistration.com> para registrar su producto.



MR. HEATER, INC., 4560 W. 160TH ST., CLEVELAND, OHIO 44135 • 800-251-0001
Mr. Heater es una marca registrada de Enerco Group, Inc.
© 2020, Enerco/Mr. Heater. Todos los derechos reservados.