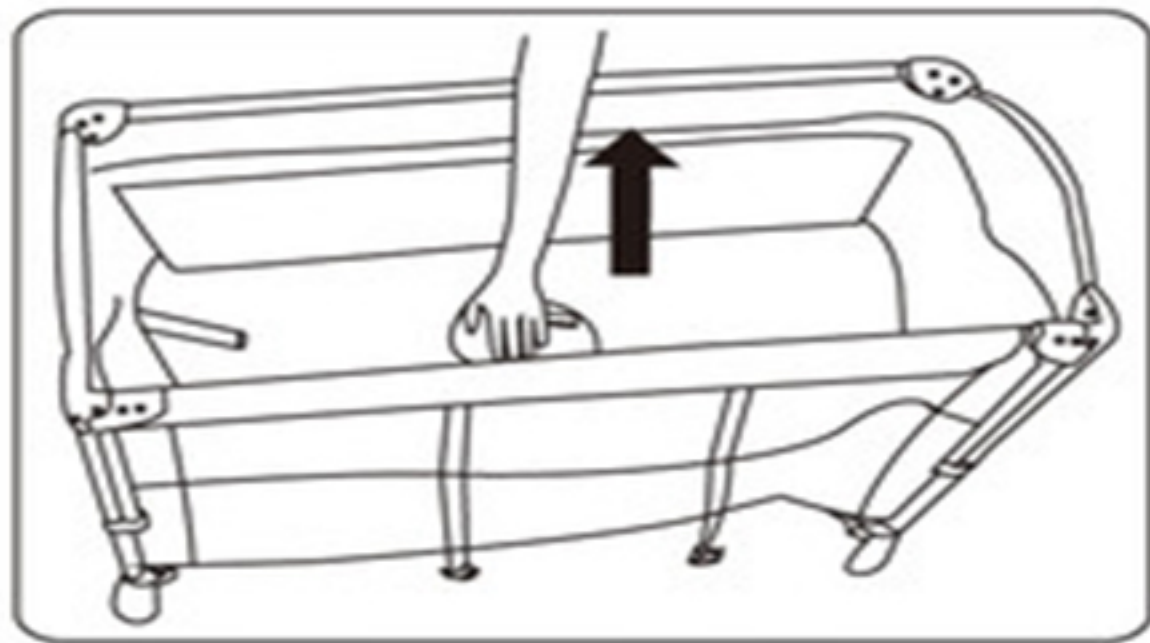
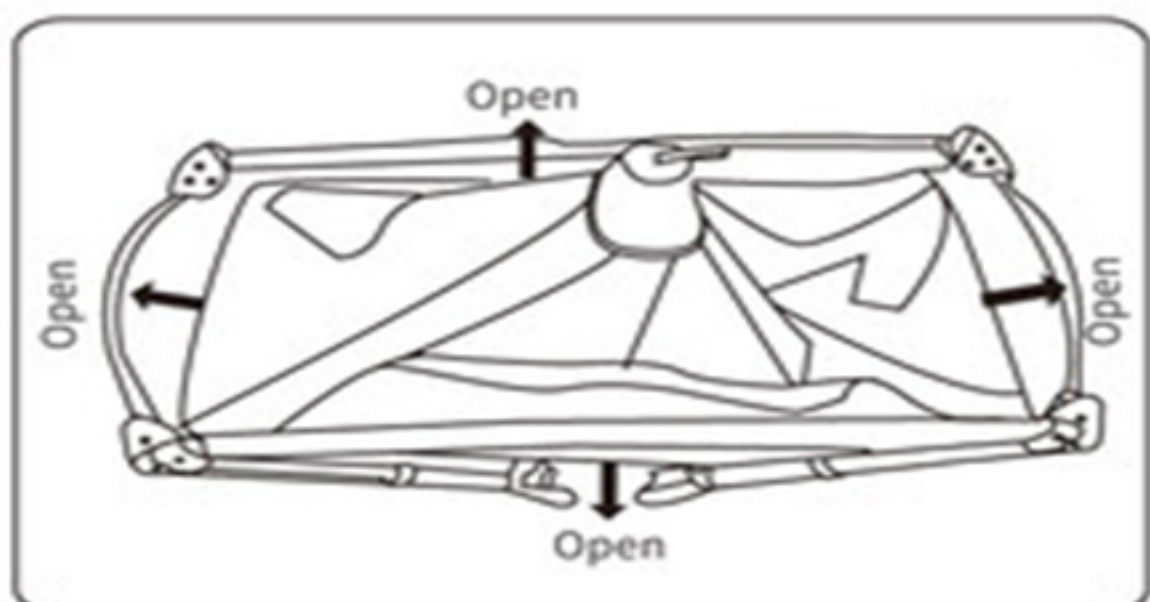


Fold Up Steps



1. Half pull the center of the floor up.

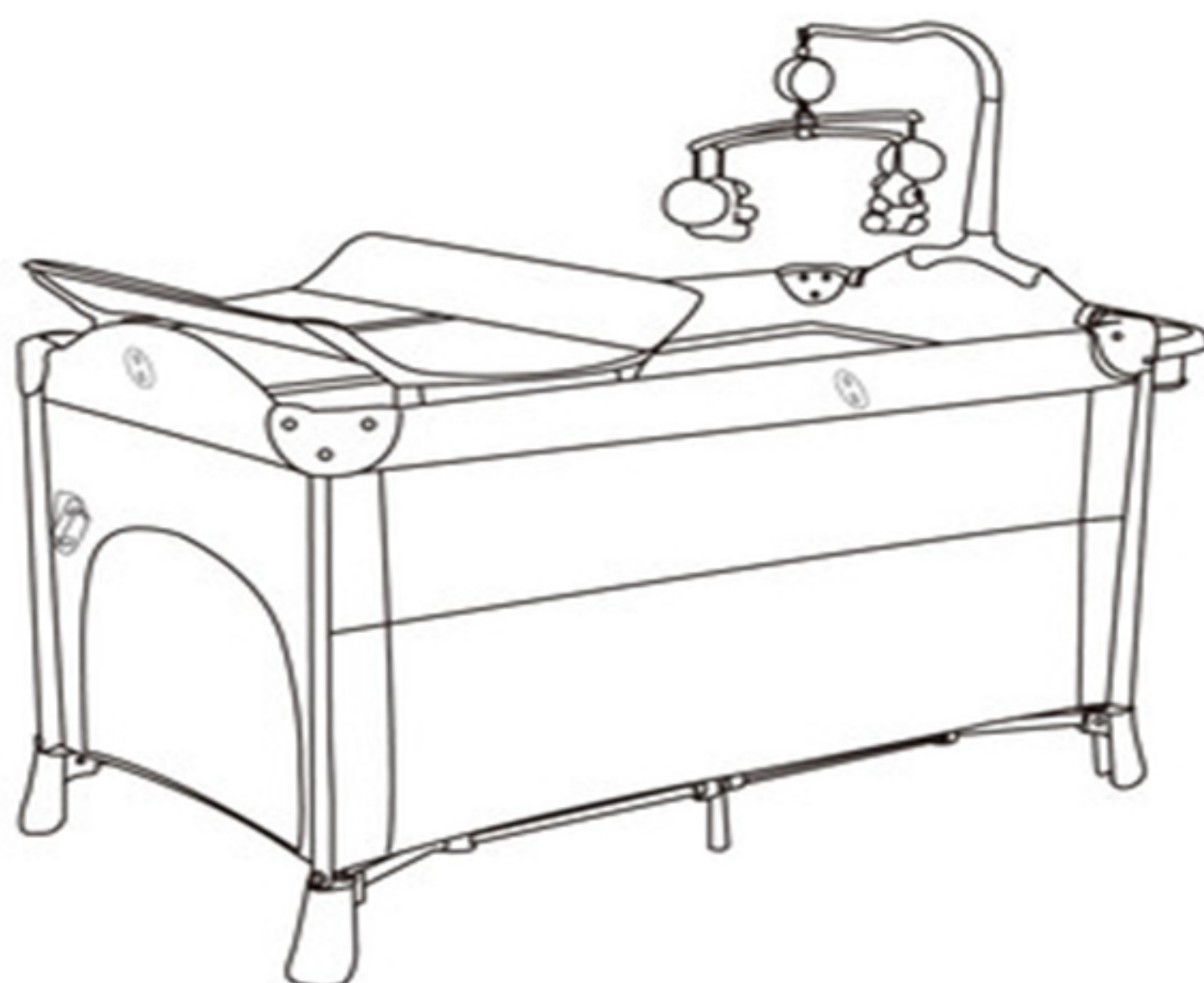


2. Open the inside fastener.

British

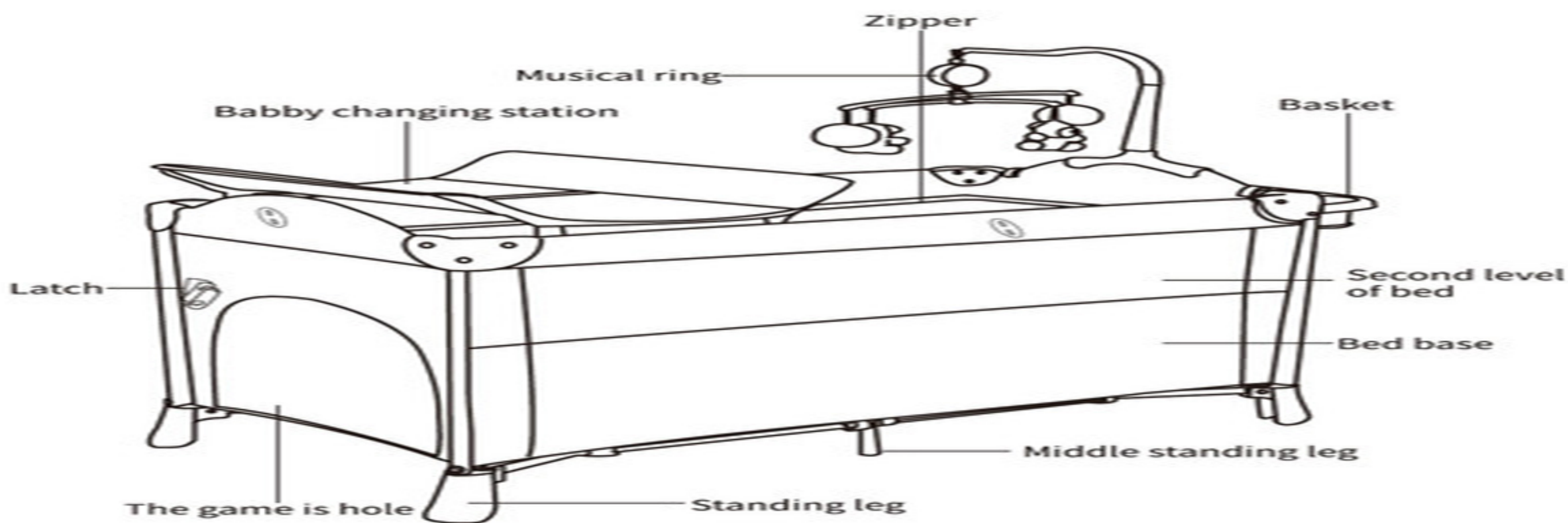
Play yard assemble instruction

Baby play yard XCY312



Parts include

Parts included in the package. Give you a clear view while assembling

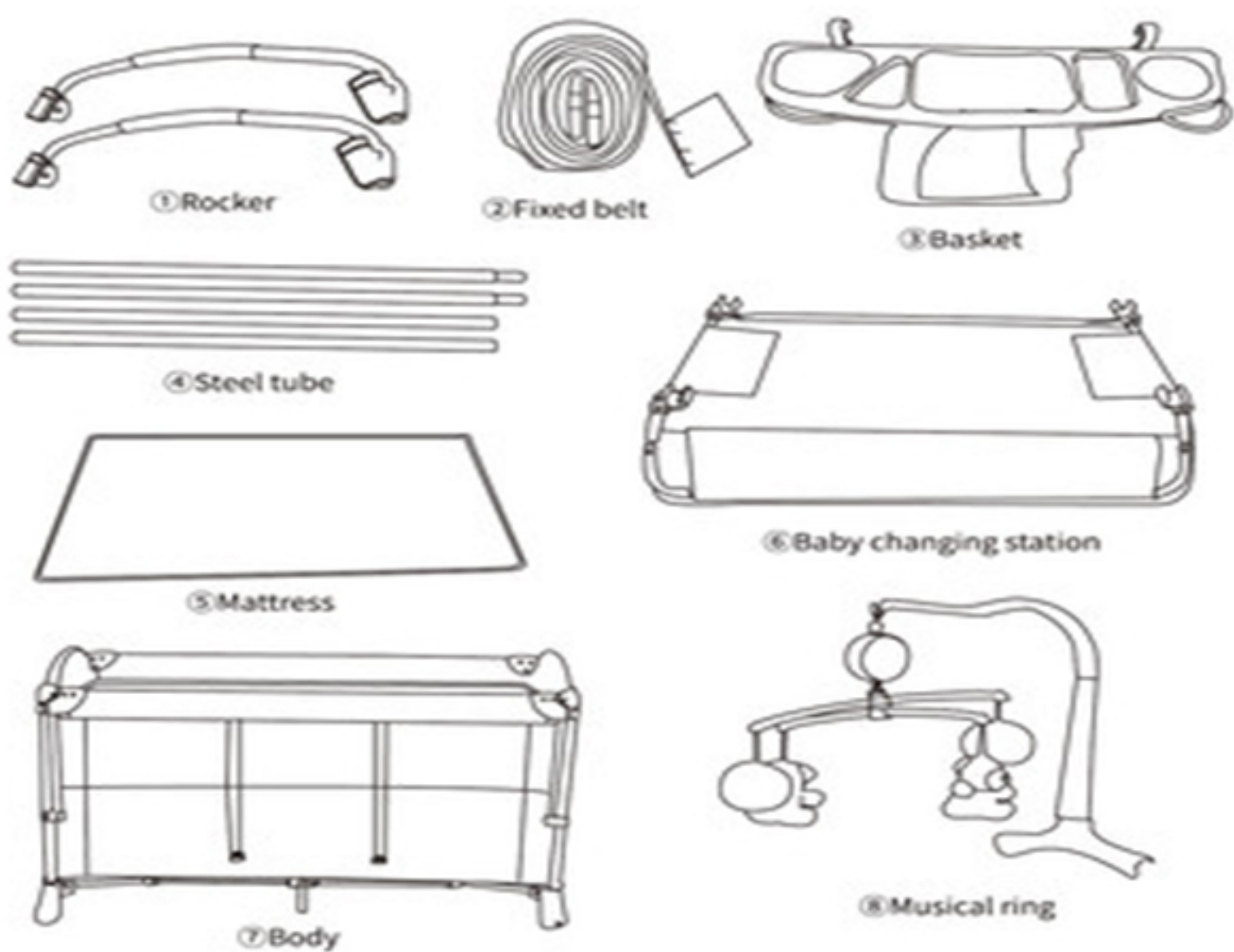


! Attention

Please keep children away while assemble or disassemble the play yard.

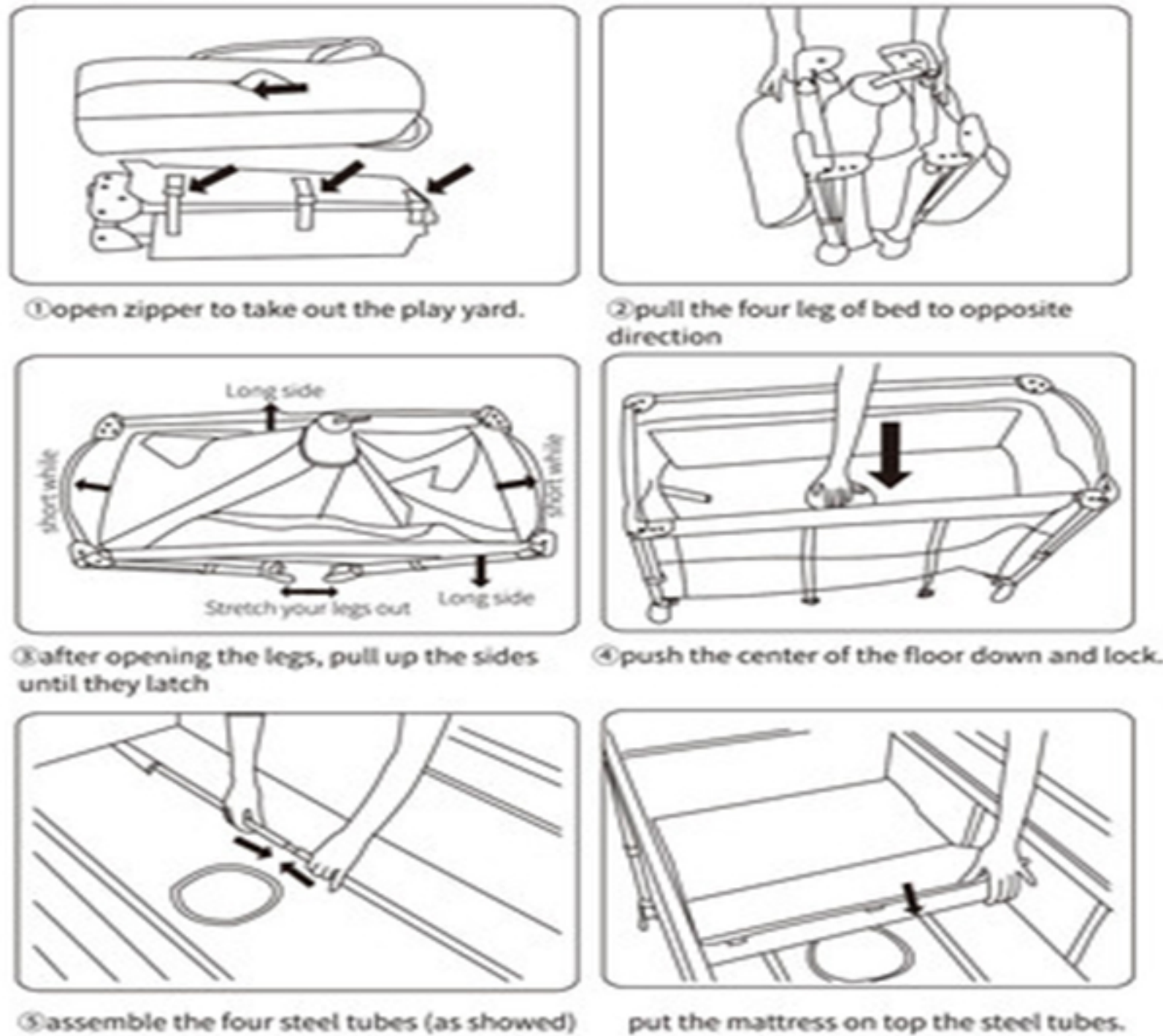
① open zipper to take out the play yard.

Product List

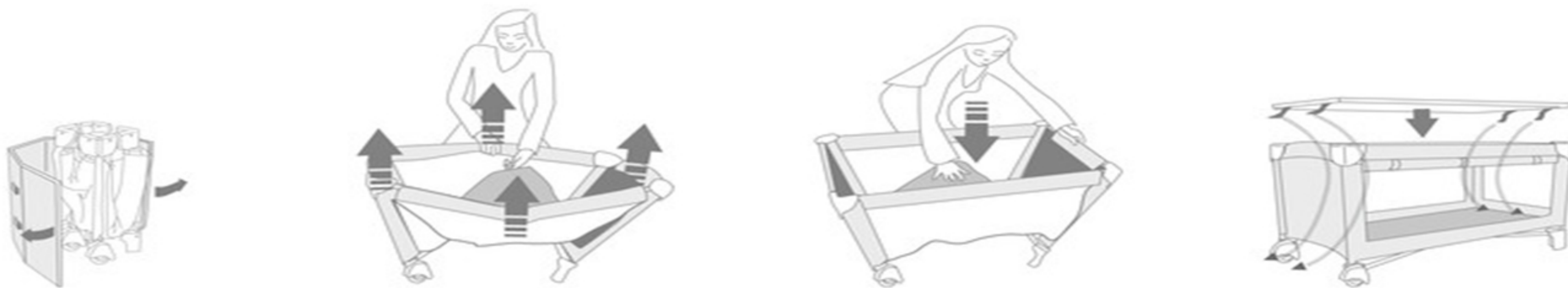


Assemble instruction

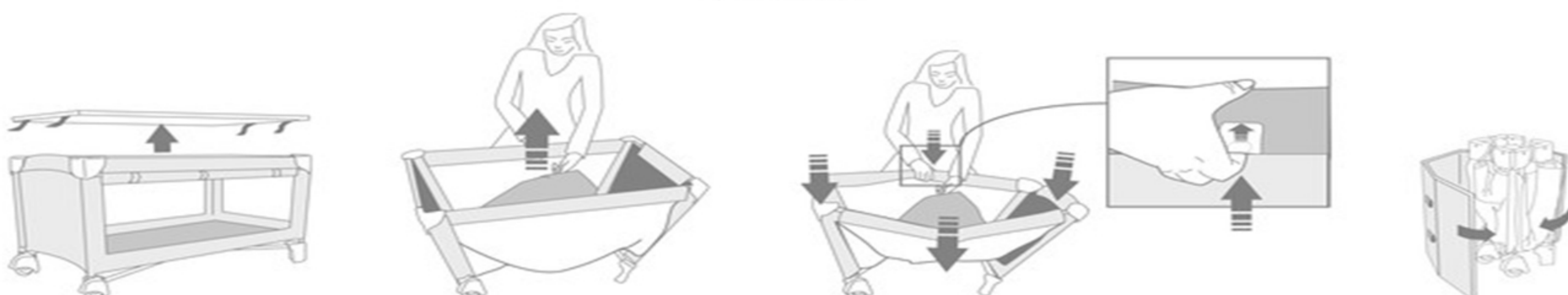
The play yard is folded for easy shipping, need to open to use. (the play yard can be folded while not using for easier storage)



TO UNFOLD



TO FOLD



BEFORE USING THIS BED IT IS ESSENTIAL TO READ THE RECOMMENDATIONS FOR USE ON THE ACCOMPANYING INSTRUCTIONS. REMINDER: DURING USE, WHERE THERE ARE TWO ARCH LOCK UP, FIRST DOWNWARDLY AND THEN TAP PUT UP, DO NOT FORCIBLY PULL UP.