

ASSEMBLY INSTRUCTIONS

# Console Table

EEl-7671 / V0.03.13.26

---

**modway**



Questions? Contact us!  
609.256.9000  
[cs@modway.com](mailto:cs@modway.com)

# Welcome.

## Let's get started.

Before you begin, here are some things to keep in mind:

Assembly will take most people **about 30 minutes**. Consider having a friend help you!

**Only use hand tools to assemble this item.** Do not use power tools. Do not tighten bolts or screws completely until all hardware is lined up and inserted into the holes.

**Read through all of the instructions before starting. Make sure you have all parts and components before discarding any packing materials.**

Do not over-tighten screws and bolts to avoid stripping the hardware or cracking the item.

Assemble your item on a flat, carpeted area, with plenty of space to work. This will prevent damage and scratches to your floors or the item while you're assembling the product.

Keep all components and packaging out of reach of children or animals to avoid risk of choking or suffocation.






**Care instructions are listed in the last step of this manual.**

**WAIT!**

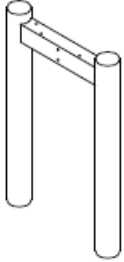
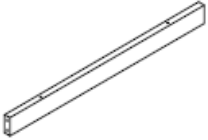
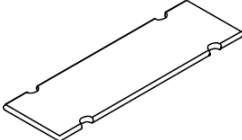
**Missing parts or hardware? Need assistance?**  
Contact us before returning your item.  
We're here to help!



## HARDWARE INCLUDED IN THE BOX:

1		Bolt $\frac{1}{4}$ " x 60mm	x14
2		Spring Washer $\varnothing 6$	x14
3		Flat Washer $\varnothing 6$	x14
4		Allen Key	x1
5		Wood Plug	x4

## FURNITURE COMPONENTS:

		
<b>A</b>	<b>B</b>	<b>C</b>
<b>A</b> Leg Frame		<b>x2</b>
<b>B</b> Mid Bar		<b>x1</b>
<b>C</b> Top Panel		<b>x1</b>

## STEP 01

### HARDWARE

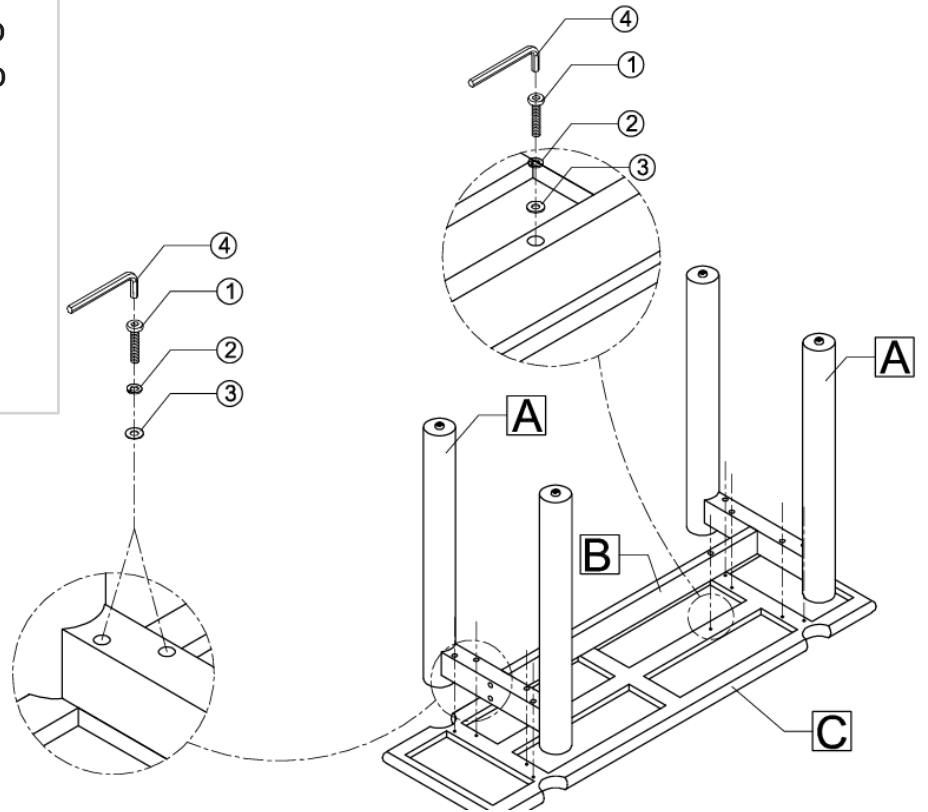
- ① Bolt  $\varnothing\frac{1}{4}$ " x 60mm x10
- ② Spring Washer  $\varnothing6$  x10
- ③ Flat Washer  $\varnothing6$  x10

### COMPONENTS

- A Leg Frame x2
- B Mid Bar x1
- C Top Panel x1

### TOOLS

- ④ Allen Key x1



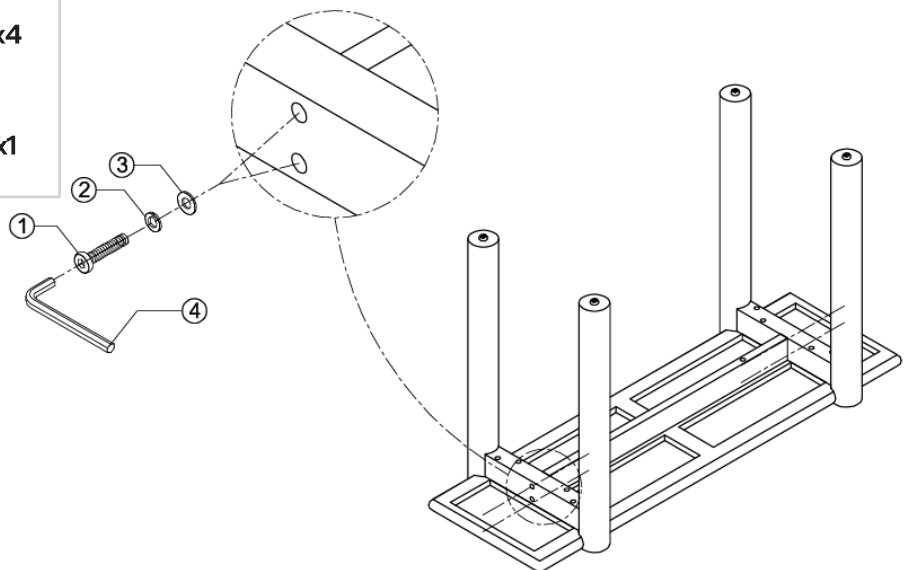
## STEP 02

### HARDWARE

- ① Bolt  $\varnothing\frac{1}{4}$ " x 60mm x4
- ② Spring Washer  $\varnothing6$  x4
- ③ Flat Washer  $\varnothing6$  x4

### TOOLS

- ④ Allen Key x1

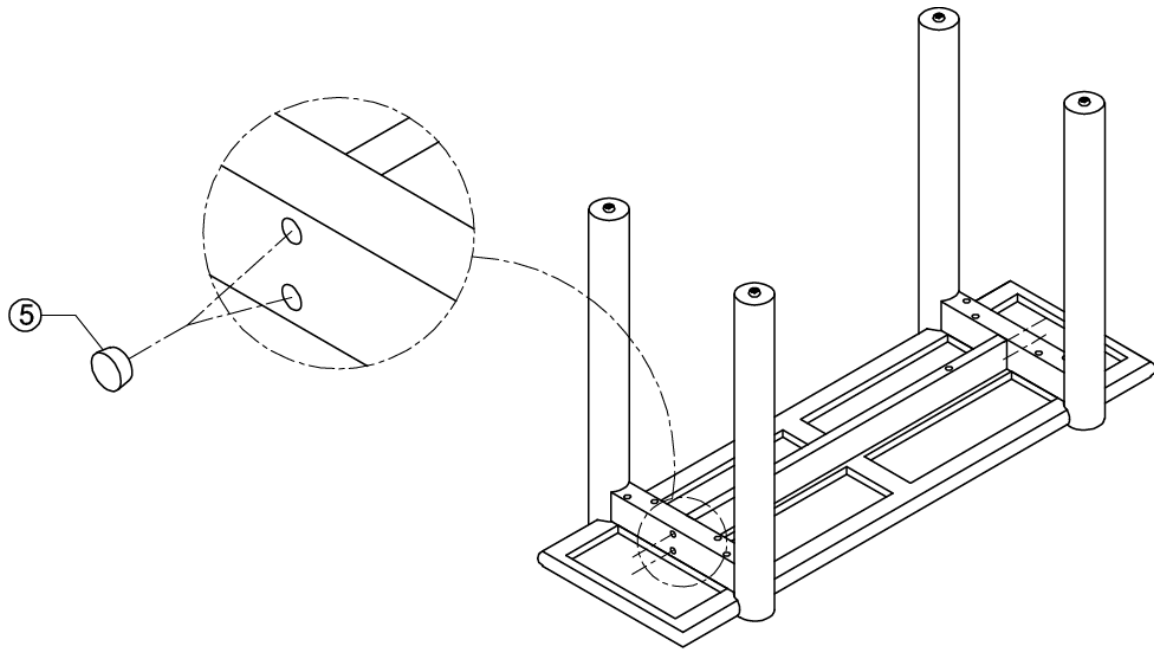


### STEP 03

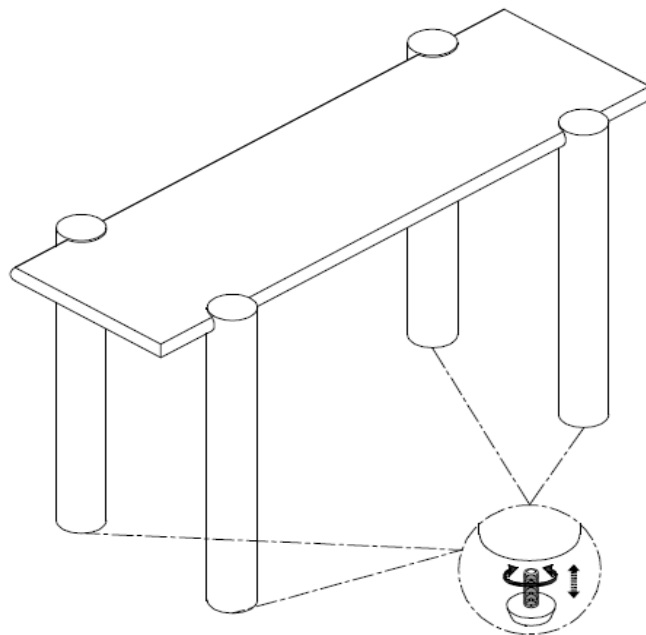
#### HARDWARE

5 Wood Plug

x4



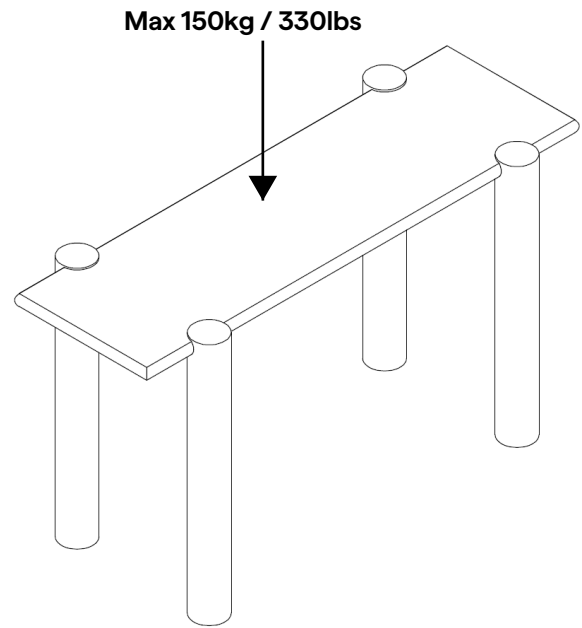
### STEP 04



Adjustable Leveler

# Great job!

Your new console table is complete.



## CARING FOR YOUR ITEM

- Depending on use, it may be necessary to tighten the hardware from time to time, so please save the tools that have been provided.
- Not contract grade.
- Clean using a non-abrasive cloth and a mild cleaner.



## CONNECT WITH US!

Tag us [@modway\\_furniture](#) and [#modway](#) for a chance to be featured.

# modway



**Questions? Contact us!**

609.256.9000

[cs@modway.com](mailto:cs@modway.com)