

ASSEMBLY INSTRUCTIONS

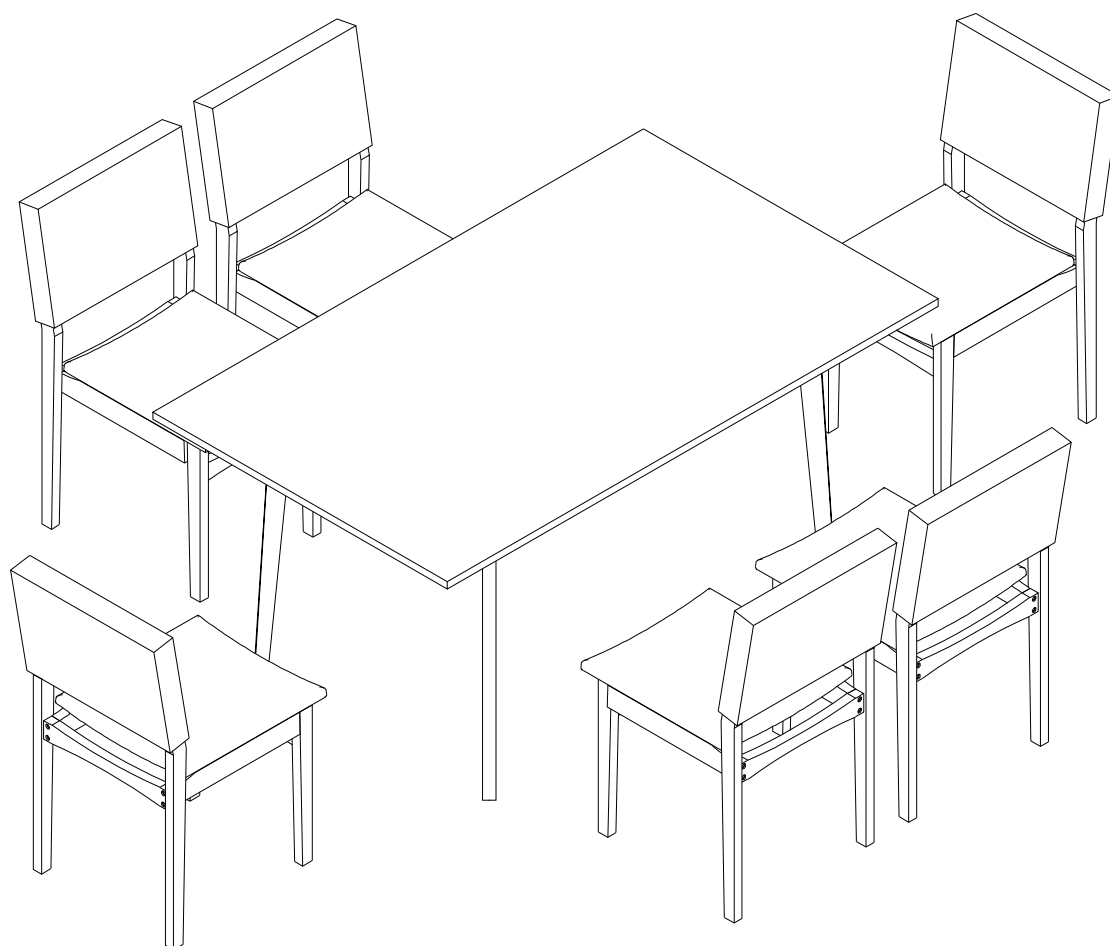
INSTRUCTIONS DE MONTAGE

7PCS DINNING SETS

N752P327191

N752P327192

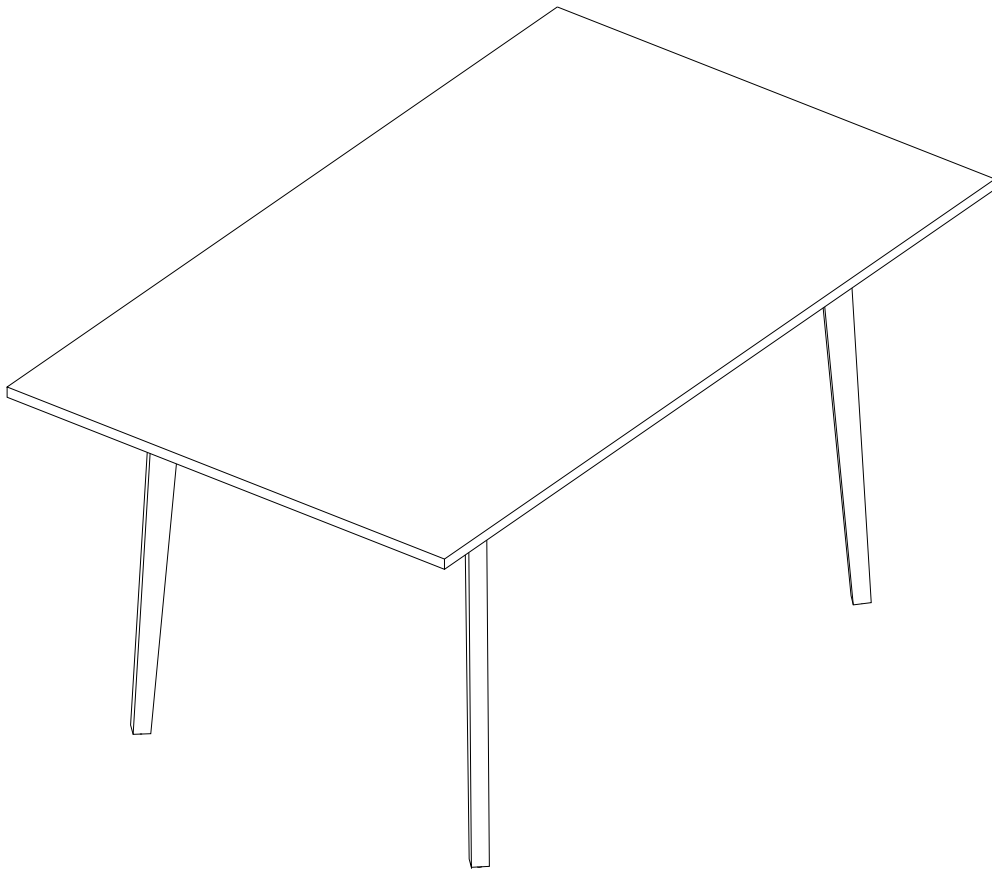
N752P327193



ASSEMBLY INSTRUCTIONS

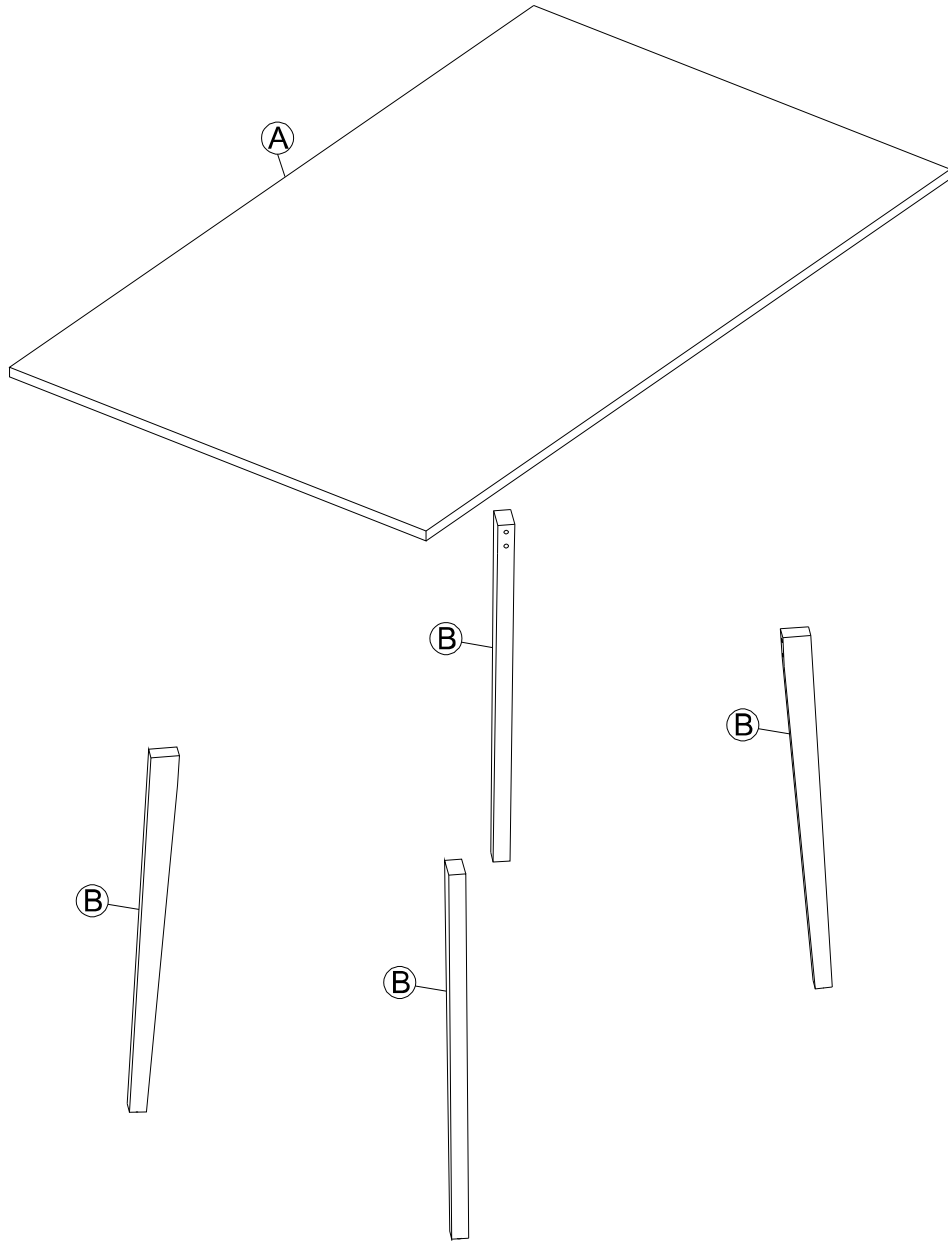
INSTRUCTIONS DE MONTAGE

DINNING TABLE N752P327191

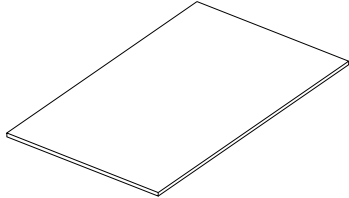



DETAIL VIEW





Vue Détaillée



Part List: Liste des pièces

<div style="border: 1px solid black; padding: 2px; display: inline-block;">A</div> 1PC  <p style="text-align: center;">Table top Dessus de la table</p>	<div style="border: 1px solid black; padding: 2px; display: inline-block;">B</div> 4PCS  <p style="text-align: center;">Table Legs Pied de table</p>	
---	--	--

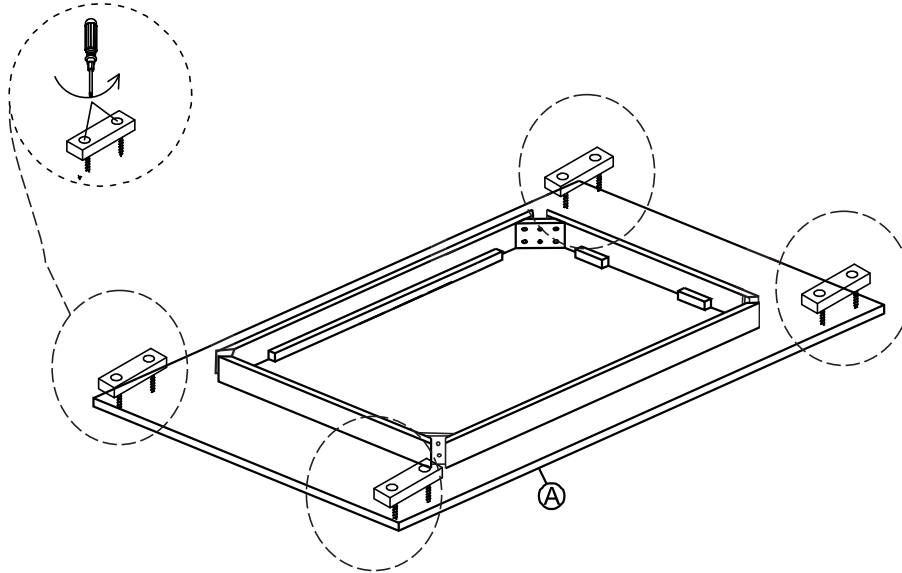
Hardware List: Liste des matériel

<div style="border: 1px solid black; padding: 2px; display: inline-block;">①</div> x8PCS  <p style="text-align: center;">Ø 5/16x75mm</p>	<div style="border: 1px solid black; padding: 2px; display: inline-block;">②</div> x8PCS  <p style="text-align: center;">Ø 5/16x13mm</p>	<div style="border: 1px solid black; padding: 2px; display: inline-block;">③</div> x8PCS  <p style="text-align: center;">Ø 5/16x19mm</p>	<div style="border: 1px solid black; padding: 2px; display: inline-block;">④</div> x 1PC  <p style="text-align: center;">4mm</p>
BOLT BouLon	Spring Washer Rondelle elastique	Flat Washer Rondelle plates	Allen key Clé Allen

STEP 1:

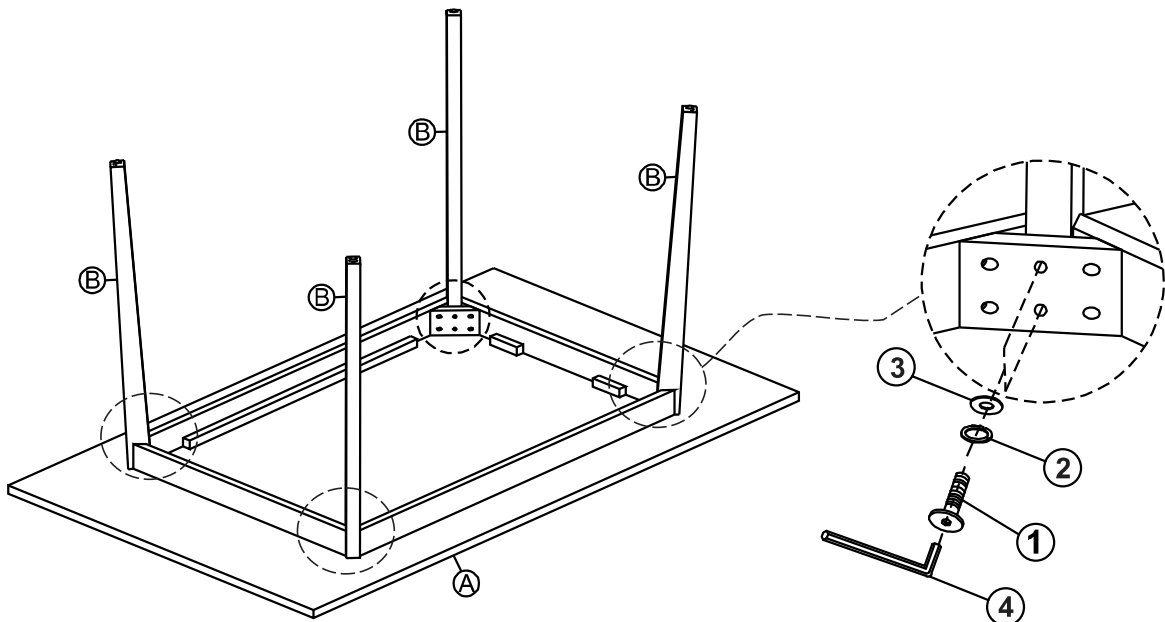
ÉTAPE





Remove block before assembly.
Retirer le bloc avant l'assemblage



STEP 2:

ÉTAPE

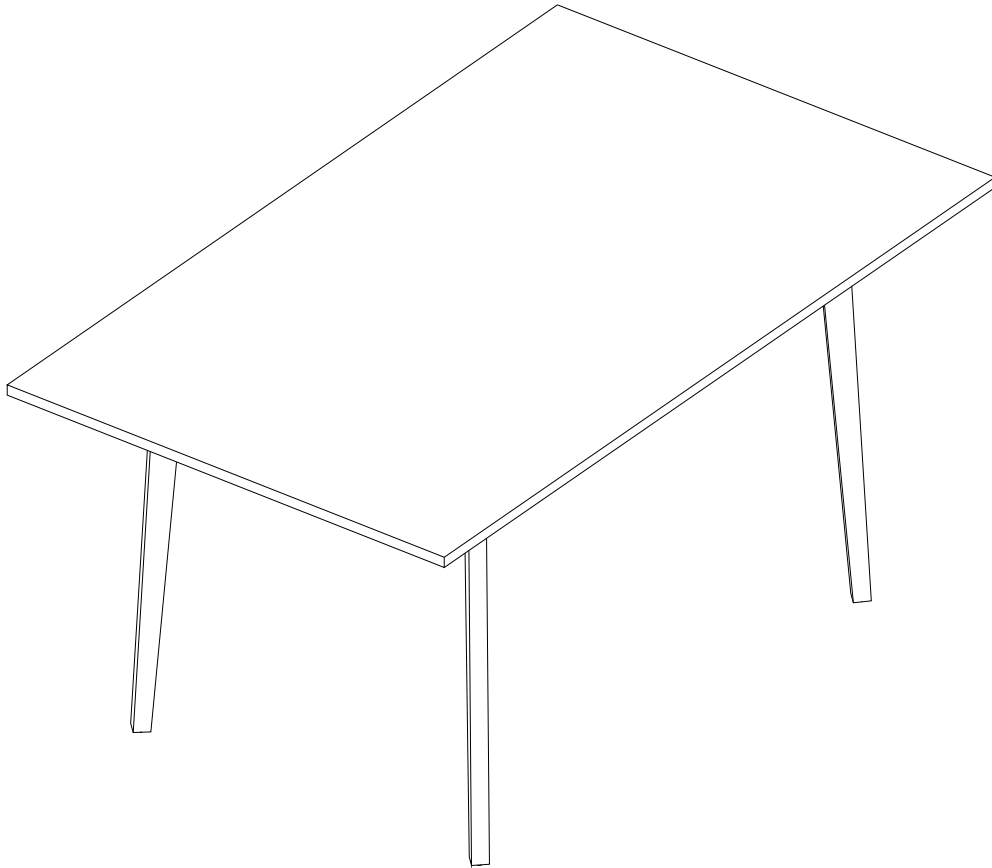


①	Ø 5/16x75mm		8PCS	③	Ø 5/16x19mm		8PCS
②	Ø 5/16x13mm		8PCS	④			1PCS

STEP 3:

ÉTAPE

Note: Turn the table over, level it, and tighten all hardware.



ASSEMBLY INSTRUCTIONS

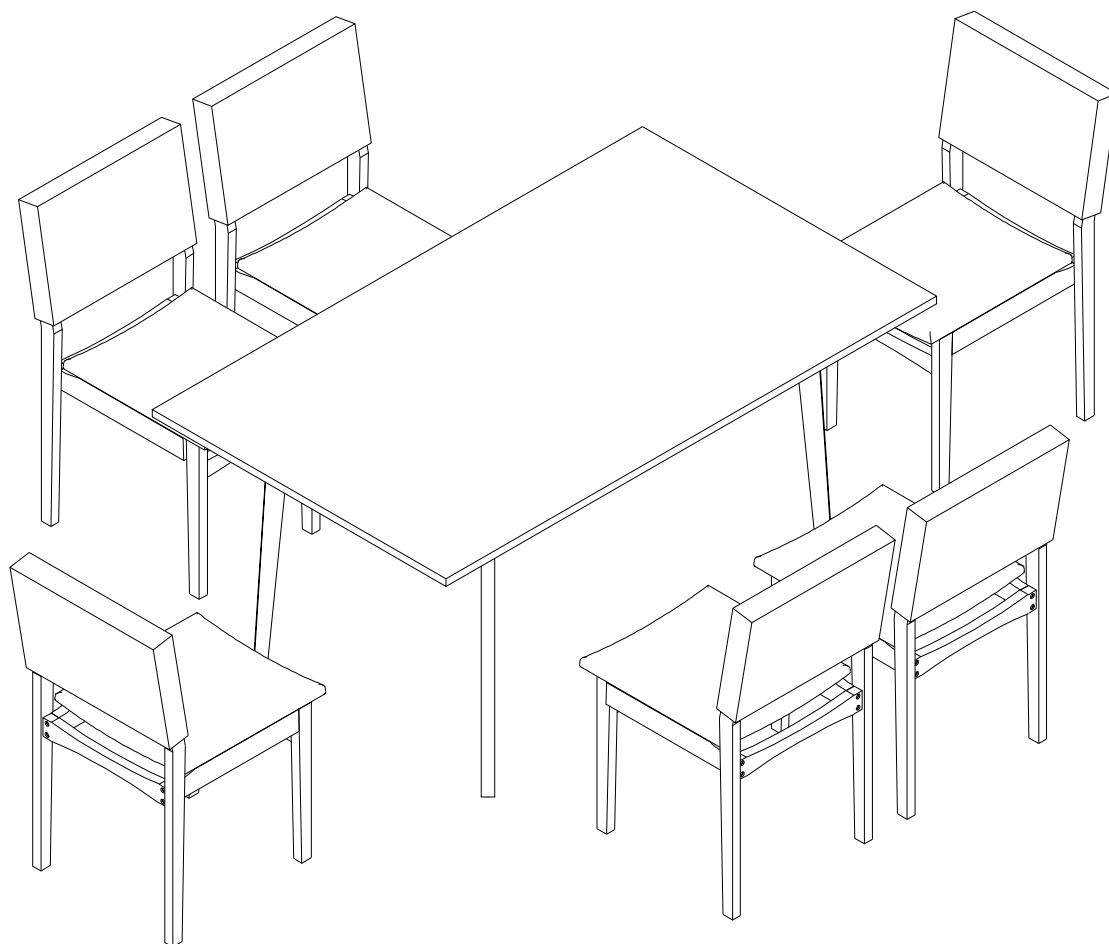
INSTRUCTIONS DE MONTAGE

7PCS DINNING SETS

N752P327191

N752P327192

N752P327193



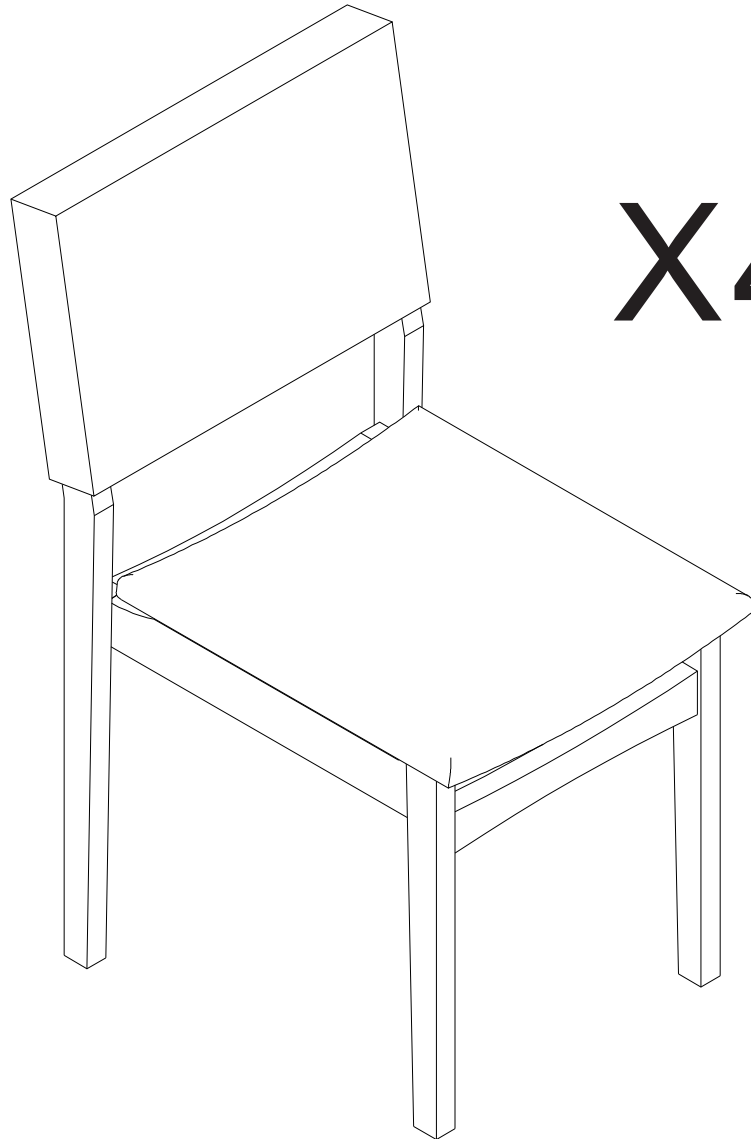
ASSEMBLY INSTRUCTIONS

INSTRUCTIONS DE MONTAGE

DINING CHAIR

ENSEMBLE DE À MANGER

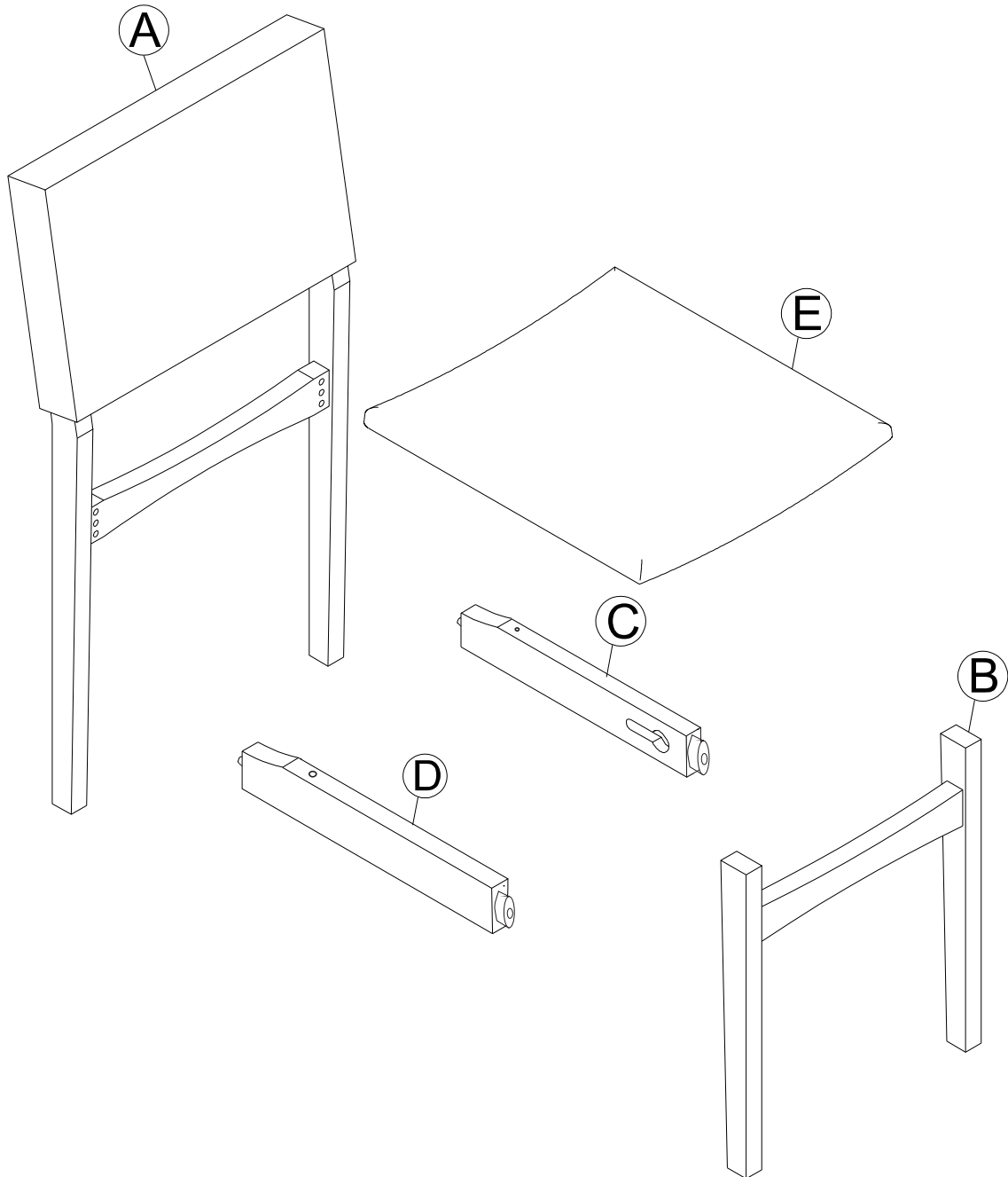
N752P327192



X4

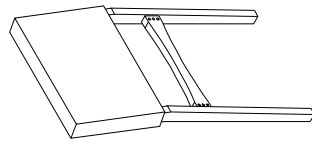
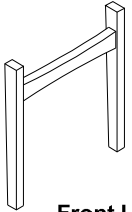
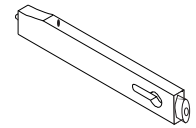
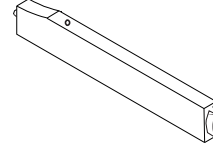
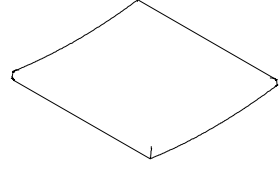
DETAIL VIEW

Vue Détaillée






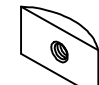
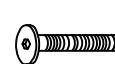



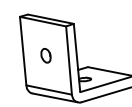
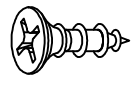
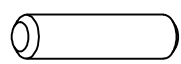
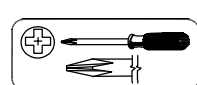
Part List For One Chair:

Liste des pièces

<p>A 1PC</p>  <p>Chair Back Dossier de chaise</p>	<p>B 1PC</p>  <p>Front Leg Jambe avant</p>	<p>C 1PC</p>  <p>Side Bar Barre latérale</p>
<p>D 1PC</p>  <p>Side Bar Barre latérale</p>	<p>E 1PC</p>  <p>Seat Frame Dessus de la chaise</p>	

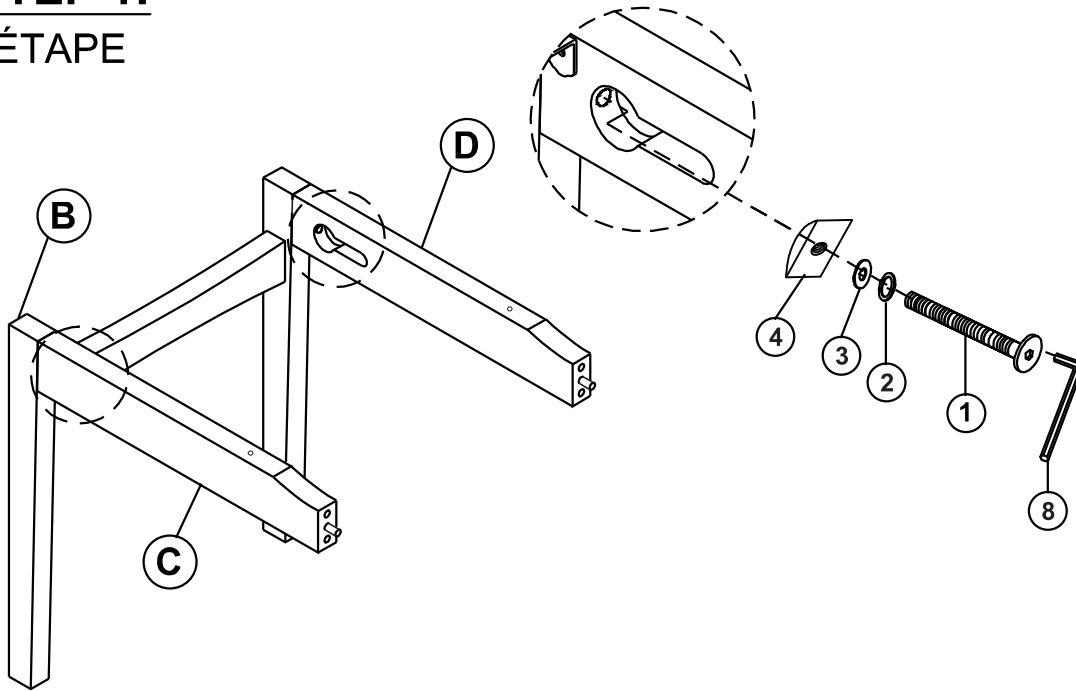
Hardware List For One Chair:






Liste des matériel

<p>① x 2PCS</p>  <p>Ø 5/16 x 75mm</p>	<p>② x 2PCS</p>  <p>Ø 5/16 x 13mm</p>	<p>③ x 2PCS</p>  <p>Ø 5/16 x 15mm</p>	<p>④ x 2PCS</p>  <p>Ø 5/16</p>
<p>BOLT BouLon</p>	<p>Spring Washer Rondelle elastique</p>	<p>Flat Washer Rondelle plates</p>	<p>Semicircle screw nut Écrou en demi-cercle</p>
<p>⑤ x 4PCS</p>  <p>Ø 1/4 x 75 mm</p>	<p>⑥ x 4PCS</p>  <p>Ø 1/4 x 14mm</p>	<p>⑦ x 2PCS</p>  <p>Ø 1/4</p>	<p>⑧ x 1PC</p>  <p>4mm</p>
<p>BOLT BouLon</p>	<p>Flat Washer Rondelle plates</p>	<p>Nut Écrou</p>	<p>Allen key Clé Allen</p>
<p>⑨ x 6PCS</p> 	<p>⑩ x 12PCS</p>  <p>4x15mm</p>	<p>⑪ x 2PCS</p>  <p>6x30mm</p>	<p><u>Tools Required</u></p> 
<p>Metal Bracket Équerre métallique</p>	<p>Short screw Vis courte</p>	<p>Wooden dowel Cheville en bois</p>	<p>Not included Non inclus</p>

STEP 1:

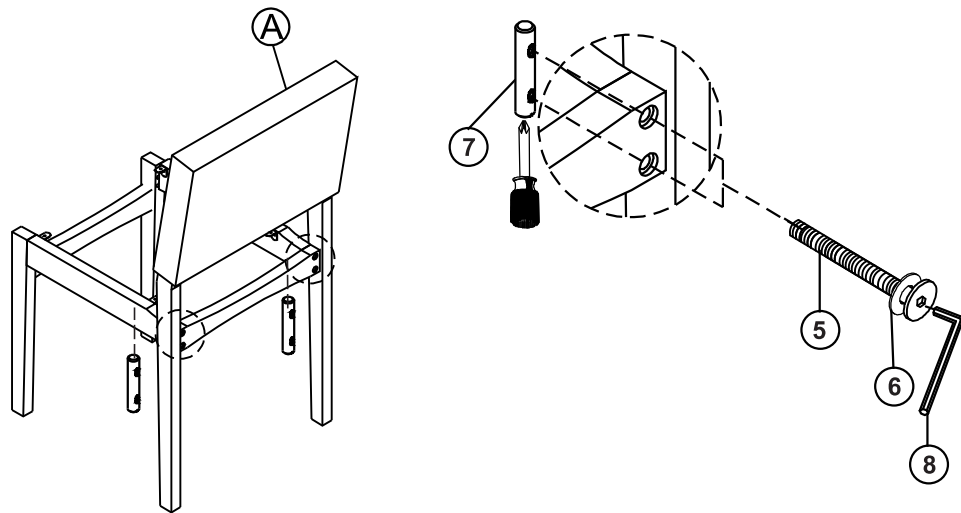
ÉTAPE


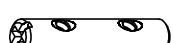




①	Ø 5/16 x 75mm		2PCS	③	Ø 5/16 x 15mm		2PCS
②	Ø 5/16 x 13mm		2PCS	⑧	4mm		1PC
④	Ø 5/16		2PCS				

STEP 2:

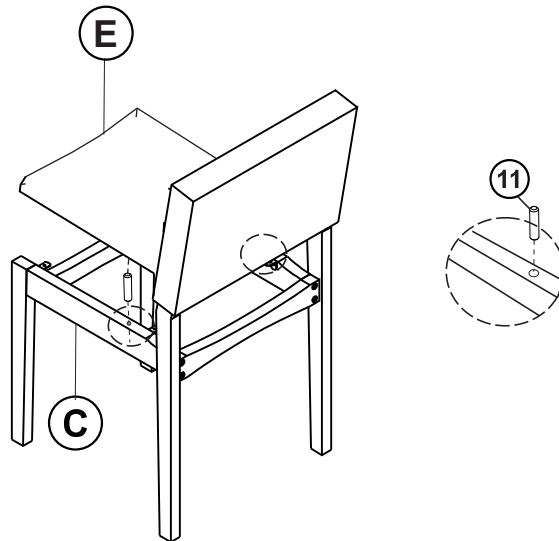
ÉTAPE



⑤	Ø 1/4 x 75 mm		4PCS	⑦	Ø 1/4		2PCS
⑥	Ø 1/4 x 14mm		4PCS	⑧	4mm		1PC

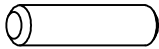
STEP 3:

ÉTAPE

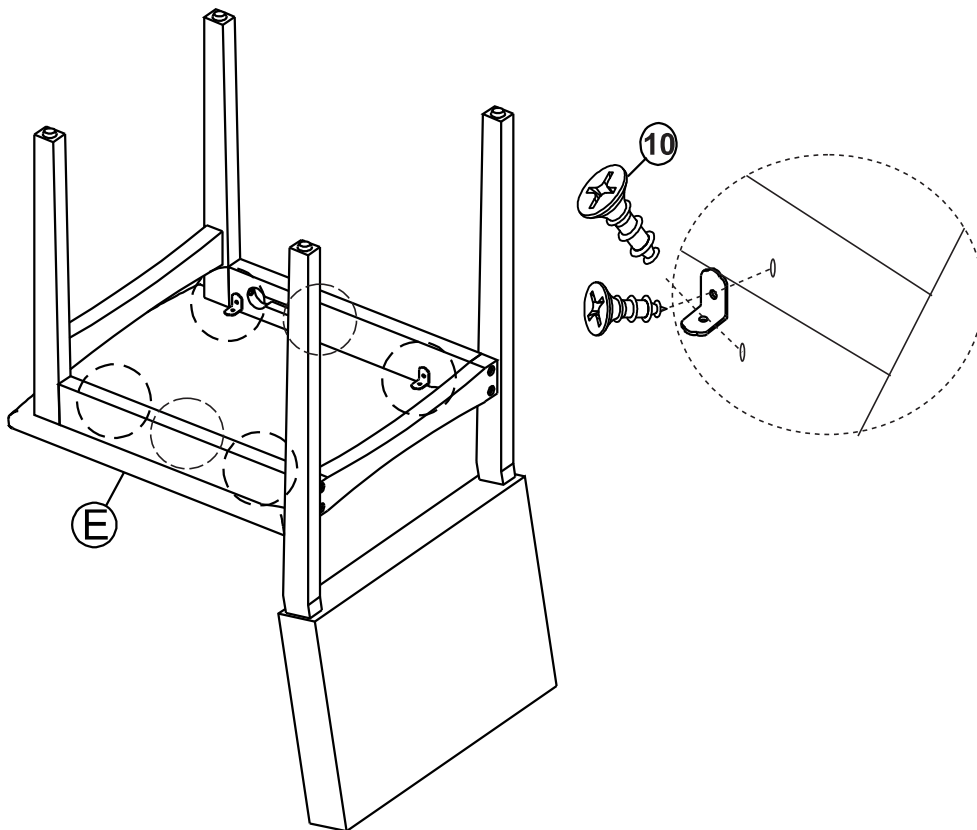


11

6x30mm



2PCS



9



6PCS

10

4x15mm



12PCS

STEP 4:

ÉTAPE

Note: level it, and tighten all hardware.

