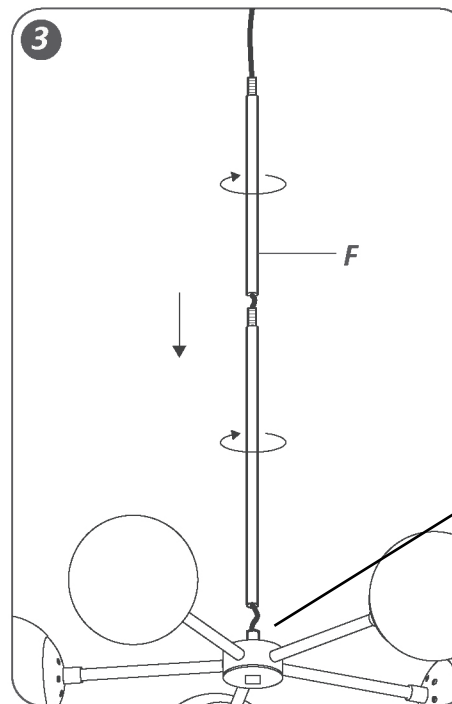
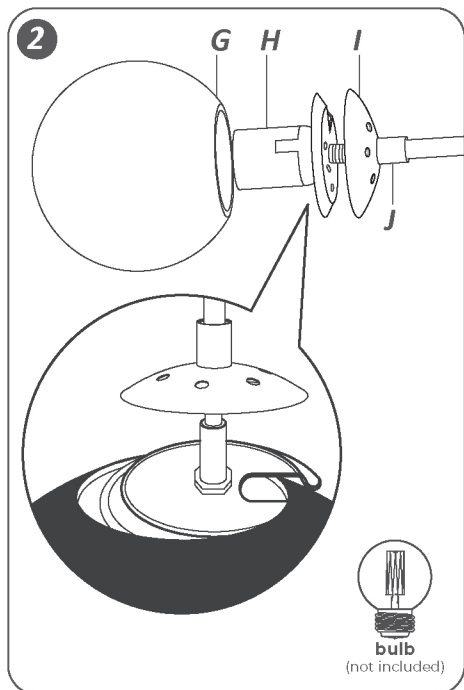


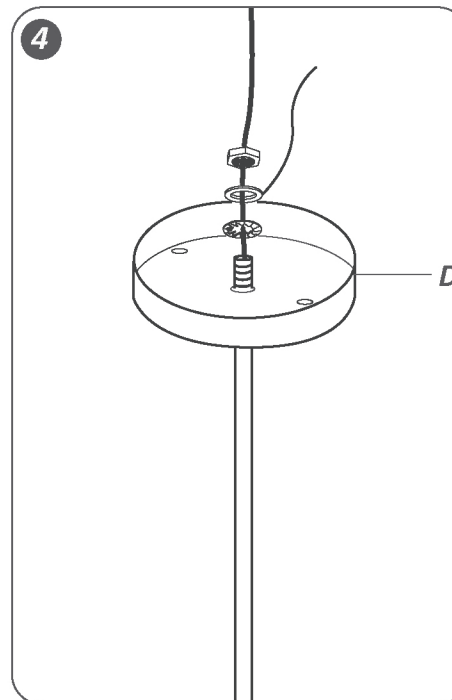
1. Remove Mounting Plate (B) from Ceiling Canopy (D) by unscrewing Decorative Fasteners (E).
 2. Secure Mounting Plate (B) to ceiling junction box using Mounting Screws (C).



Thread pendent cord/wire through Down Rods (F), then screw Down Rods (F) to Light Fixture.

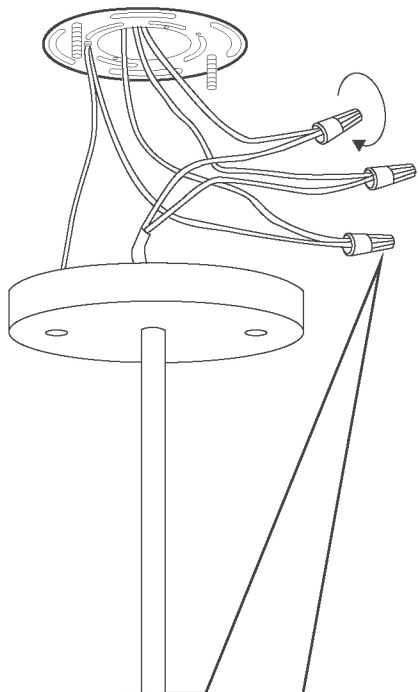


Insert desired bulb (not included). 60W MAX medium-base (E26) light bulb. Do not exceed recommended wattage.
 Unscrew Lock Fastener (J) from Shade Canopy (I), hook Lamp Shade (G) at an angle over Lamp Holder (H), pivot Lamp Holder (H) until fully inserted. Lower Shade Canopy (I) over Lamp Shade (G). Thread Shade Fastener (J) clockwise to secure shade in place.



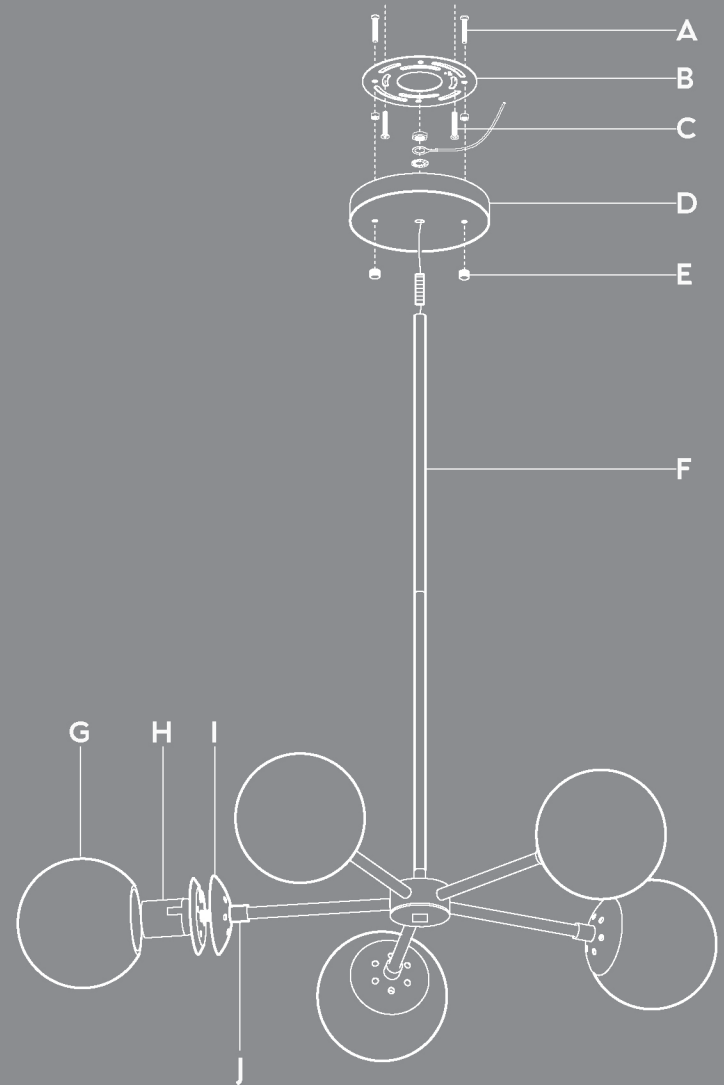
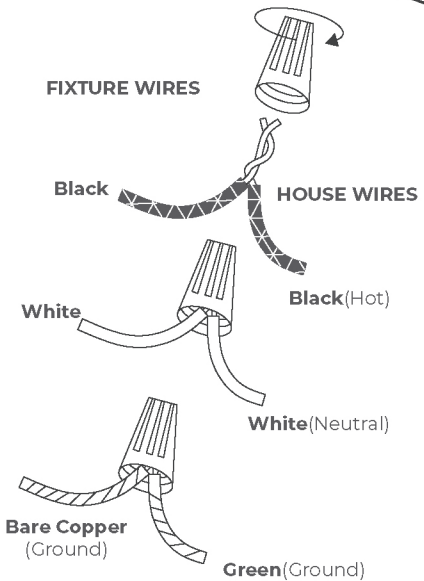
Thread wires and Down Rod through Ceiling Canopy (D) and secure using lock washer and nut.
 Note: Copper ground wire should be placed between nut and lock washer.

5



Connect Black fixture wire to Black supply wire and White fixture wire to White supply wire using wire caps (provided). Wrap connection with electrical tape. Wrap ground wire from canopy under and around green grounding screw (marked GND) on the mounting bracket leaving excess wire. Thread the ground screw but do not tighten at this time. Connect excess canopy ground wire and junction box ground wire using the wire cap (provided). Wrap with electrical tape for a more secure connection. Fasten ground screw to make sure ground wire is securely connected. Do not over tighten. Tuck all wires carefully into the J-Box.

WARNING: Never connect ground-ing wire to black or white power supply wires.



A Canopy Screws

B Mounting Plate

C Mounting Screws

D Ceiling Canopy

E Decorative Fasteners

F Down Rods

G Glass Shade

H Lamp Holder

I Shade Canopy

J Lock Fasteners